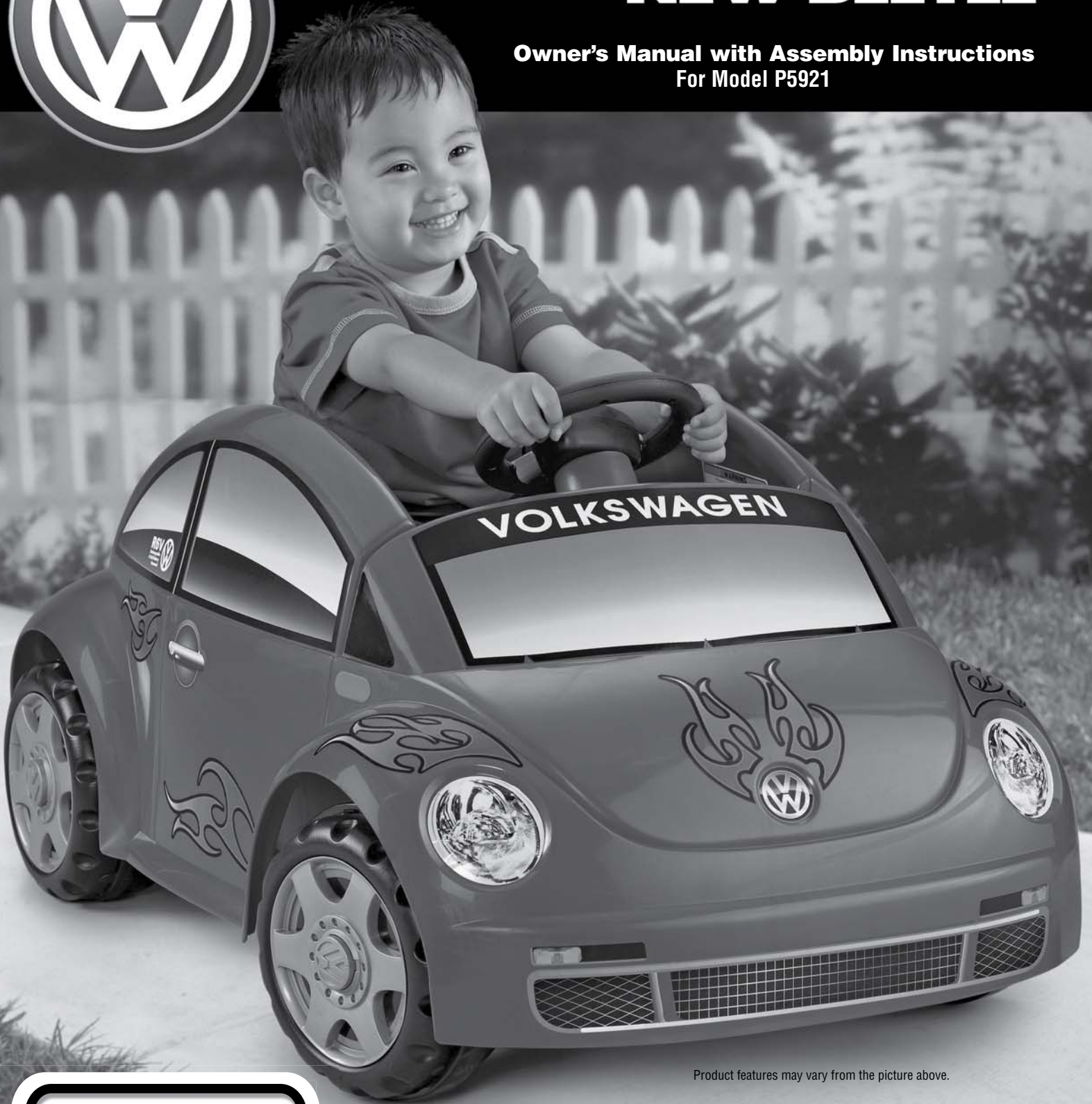




VOLKSWAGEN®

NEW BEETLE

Owner's Manual with Assembly Instructions
For Model P5921



Product features may vary from the picture above.



Please read this manual and save it with your original sales receipt.

Tools needed for assembly: Phillips Screwdriver, Slotted Screwdriver and Adjustable Wrench (all not included).

Use only with a Power Wheels® 6 Volt, 4 Amp/Hr Rechargeable Battery with Built-in Thermal Fuse and a Power Wheels® 6 Volt Charger (both included).

TABLE OF CONTENTS

Important Information	2
Warnings and Cautions	3
Parts	4
Parts Picture	5
Battery Charging	6
Assembly	8
Decoration	10
Battery Installation	12
Battery Care and Disposal	14
Safe Driving Rules	15
Vehicle Operation	16
Vehicle Care	16
Limited Warranty	16
Problems and Solutions Guide	17

IMPORTANT INFORMATION

- Your new vehicle requires adult assembly. Please set aside at least 30 minutes for assembly.
- You must charge your battery for 18 - 30 hours **before you use your vehicle for the first time**. We recommend that you start charging your battery before beginning assembly. Please see Battery Charging beginning on page 6 for detailed instructions.
- Read this manual carefully for important safety information and operating instructions before using your vehicle. Please keep this manual for future reference as it contains important information.
- Use this vehicle **ONLY** outdoors. Most interior flooring can be damaged by riding this vehicle indoors. Fisher-Price® will not be responsible for damage to floors if the vehicle is used indoors.
- This vehicle is designed for use on asphalt and other hard surfaces; on generally level terrain; and by children 1½ - 4 years of age.
- To prevent damaging the motors and gears, teach your child to stop the vehicle before switching between forward and reverse. Do not tow anything behind the vehicle or overload it. Do not exceed the maximum weight capacity of 50 lb (23 kg).
- If you have any questions about your Power Wheels® vehicle, please call our toll-free service lines at **1-800-348-0751** from 9 AM to 7 PM (EST) Monday through Friday and 11 AM to 5 PM (EST) Saturday. Trained customer service representatives are available to take your call in English or French. Habla Español? Si usted tiene alguna pregunta ónecesita asistencia llame gratis **1-800-348-0755** para los Estados Unidos. Tenemos representantes que hablan español para atender su llamada.
- For your convenience, Power Wheels® maintains an **independently owned and operated** Authorized Service Center Network with more than 300 authorized service centers nationwide. The authorized service centers will repair or replace parts under warranty at no extra charge, and can perform non-warranty repairs for a minimal charge. To find the authorized service center nearest you, visit us on-line at **www.powerwheels.com** or call **1-800-348-0751**.
- If you would like to register your vehicle, please visit us on-line at **www.powerwheels.com**

WARNINGS AND CAUTIONS

ELECTRICAL HAZARD

WARNING

- Battery can fall out and injure a child if vehicle tips over. Always use battery retainer.
- **PREVENT FIRE**
 - Never modify the electrical system. Alterations could cause a fire resulting in serious injury and could also ruin the electrical system.
 - Use of the wrong type battery or charger could cause a fire or explosion resulting in serious injury.
 - Use of Power Wheels® components in products other than Power Wheels® vehicles could cause overheating, fire or explosion.
- The battery must be handled by adults only. The battery is heavy and contains sulfuric acid (electrolyte). Dropping the battery could result in serious injury.
- Never allow children to charge the battery. Battery charging must be done by adults only. A child could be injured by the electricity involved in charging the battery.
- Never lift or carry the battery by the wires or connector. This can damage the battery and possibly cause a fire resulting in serious injury. Lift and carry the battery by the case only.
- Read the safety instructions on the battery.
- Examine the battery, charger and their connectors for excessive wear or damage each time you charge the battery. If damage or excessive wear is detected, do not use the charger or the battery until you have replaced the worn or damaged part.
- **HOT** motors. Handle carefully.

RIDING HAZARD

WARNING

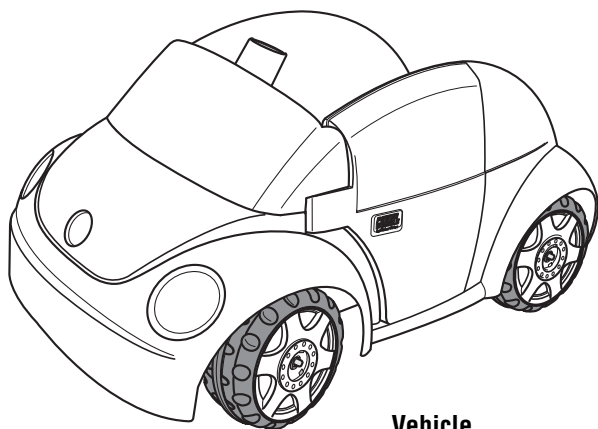
- **Prevent Injuries and Deaths**
 - Direct Adult Supervision Required.
 - Never Ride At Night.
 - Keep Children Within Safe Riding Areas.
These areas must be:
 - away from swimming pools and other bodies of water to prevent drownings
 - generally level to prevent tipovers
 - away from steps, steep inclines, cars, roads and alleys.
 - Riding Rules
Make sure children know and follow these rules for safe driving and riding.
 - Always sit on the seat.
 - Always wear shoes.
 - Only 1 (one) rider at a time.

CAUTION

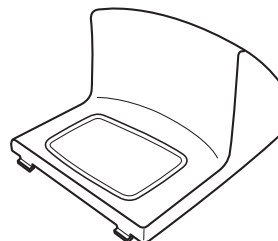
- In the unassembled state, this package contains small parts. Adult assembly is required.
- Use the charger in dry locations only.

PARTS

- If you experience a problem with this product, or are missing a part, please contact Power Wheels® Consumer Relations, rather than return this product to the store.
- Please identify all parts before assembly and save all packaging material until assembly is complete to ensure that no parts are discarded.
- Metal parts have been coated with a lubricant to protect them during shipment. Wipe all metal parts with a paper towel to remove any excess lubricant.



Vehicle



Seat



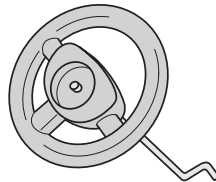
4 Hubcaps



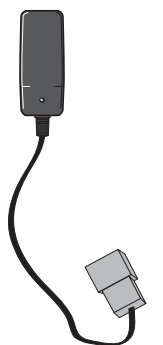
Steering Wheel Cap



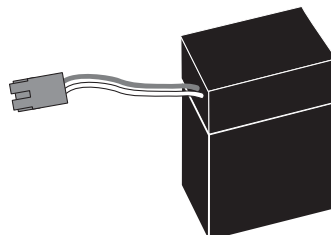
Steering Bracket



Steering Wheel Assembly



6 Volt Charger



6 Volt Battery

Part Not Shown: Label Sheets



#10 x 3/4" Trusshead Screw
(Large Diameter Head)



#6 x 1" Screw - 2



#10 Lock Nut

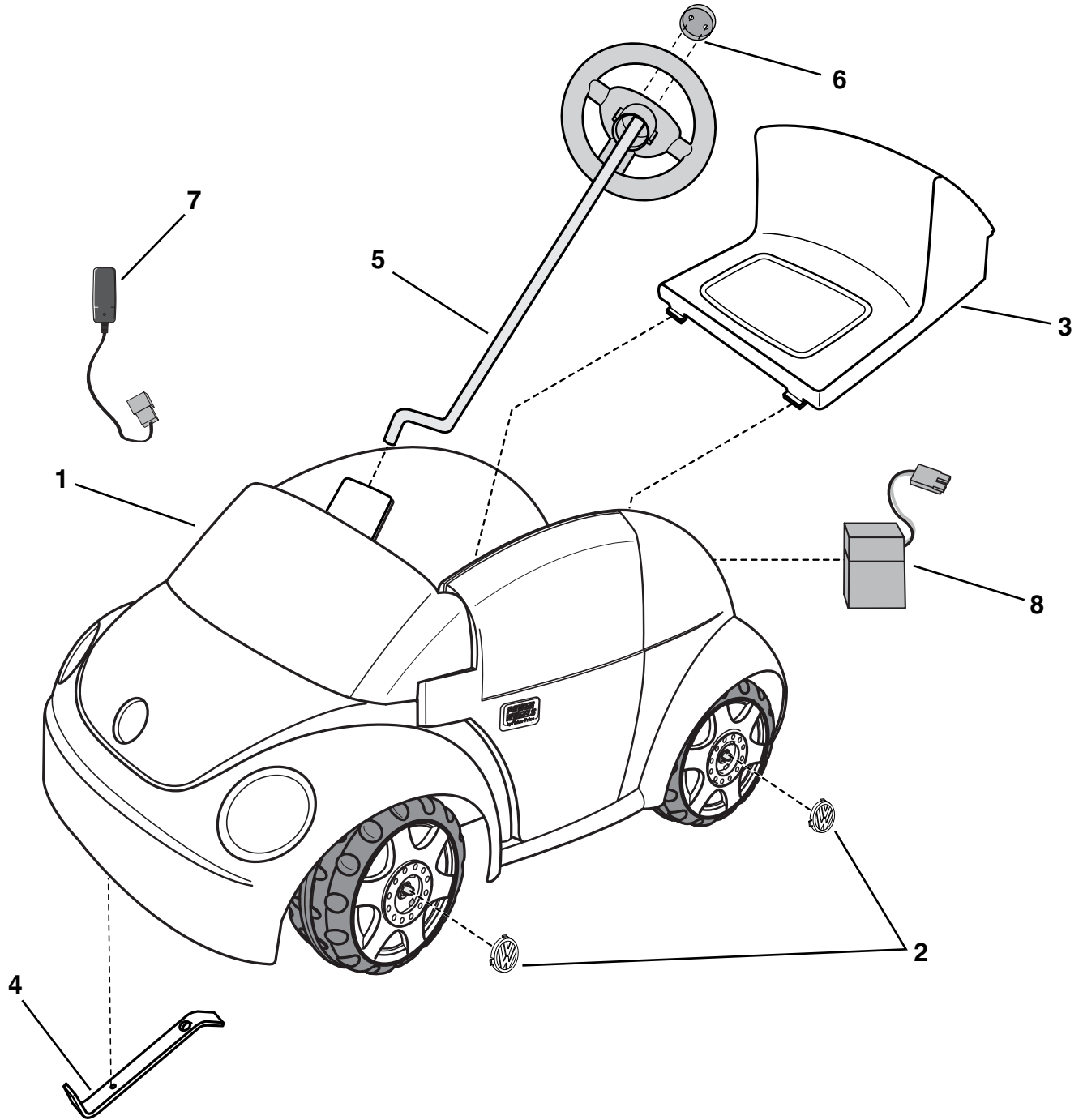
Fasteners Shown Actual Size

For your convenience, we included
extra fasteners!

Note: Tighten and loosen the screws
with a Phillips screwdriver.
Do not over-tighten the screws.

PARTS PICTURE

Note: Some parts shown are assembled on both sides of the vehicle. This illustration shows assembly on left side only.



- 1** Vehicle
- 2** Hubcaps - 4
- 3** Seat
- 4** Steering Bracket
- 5** Steering Wheel Assembly
- 6** Steering Wheel Cap
- 7** 6 Volt Charger
- 8** 6 Volt Battery

- Parts Not Shown:
- Label Sheets
 - #10 x 3/4" Trushead Screw
 - #6 x 1" Screw - 2
 - #10 Lock Nut

ELECTRICAL HAZARD

WARNING

- Battery can fall out and injure a child if vehicle tips over. Always use battery retainer.
- **PREVENT FIRE**
 - Never modify the electrical system. Alterations could cause a fire resulting in serious injury and could also ruin the electrical system.
 - Use of the wrong type battery or charger could cause a fire or explosion resulting in serious injury.
 - Use of Power Wheels® components in products other than Power Wheels® vehicles could cause overheating, fire or explosion.
- The battery must be handled by adults only. The battery is heavy and contains sulfuric acid (electrolyte). Dropping the battery could result in serious injury.
- Never allow children to charge the battery. Battery charging must be done by adults only. A child could be injured by the electricity involved in charging the battery.
- Never lift or carry the battery by the wires or connector. This can damage the battery and possibly cause a fire resulting in serious injury. Lift and carry the battery by the case only.
- Read the safety instructions on the battery.
- Examine the battery, charger and their connectors for excessive wear or damage each time you charge the battery. If damage or excessive wear is detected, do not use the charger or the battery until you have replaced the worn or damaged part.

CAUTION

Use the charger in dry locations only.

About Thermal Fuses

Your Power Wheels® 6 volt battery is equipped with a built-in thermal fuse. The thermal fuse is a self-resetting safety device which automatically “trips” and shuts down operation of the vehicle if the vehicle is overloaded or the driving conditions too severe. Once a fuse has “tripped”, remove your foot from the pedal and wait approximately 25 seconds before operating the vehicle again. To avoid repeated automatic shut-downs, do not overload the vehicle by exceeding the 50 lbs (23 kg.) maximum weight capacity or by towing anything behind the vehicle. Avoid severe driving conditions, such as driving up slopes or running into fixed objects, which can cause the wheels to stop spinning while power is still being supplied to the motors.

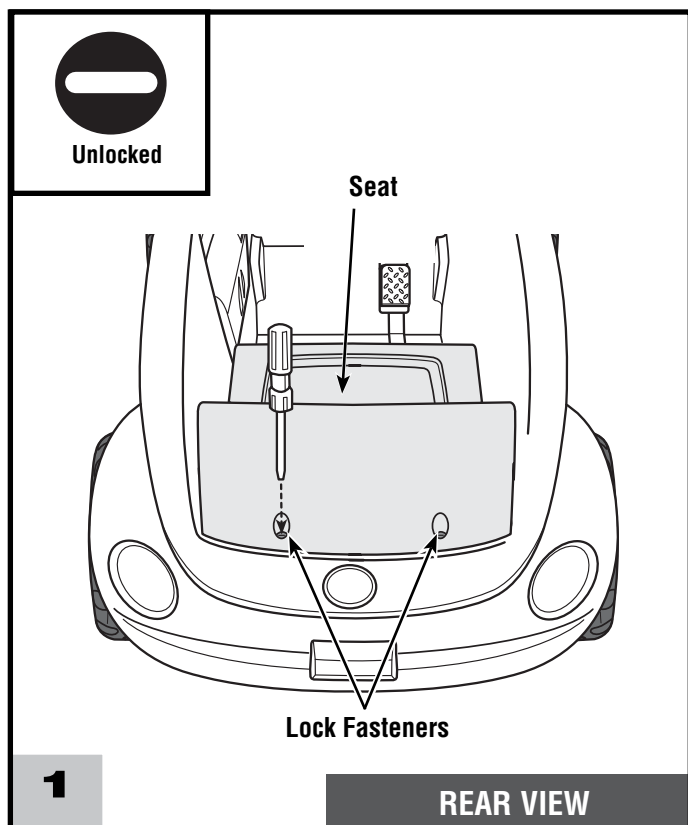
If a thermal fuse in a battery continually trips under normal driving conditions, please contact your local Power Wheels® Authorized Service Center. For the location of the Authorized Service Center nearest to you, visit us on-line at www.powerwheels.com, or call **1-800-348-0751**.


Important Notes

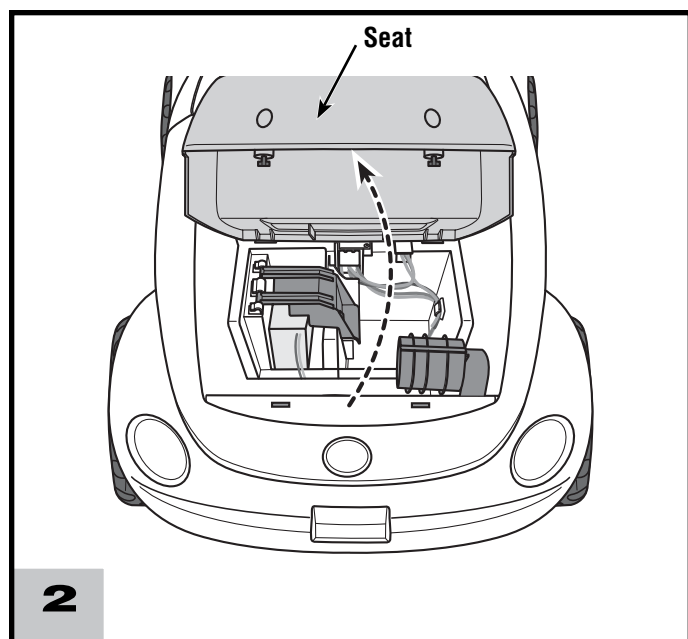
- **Your new battery must be charged for at least 18 hours before you use it in your vehicle for the first time.**
- We recommend that you start charging your battery before beginning assembly of your new vehicle.
- The battery must be upright while charging.
- The charger is not a toy.
- Do not short circuit the battery.
- You do not need to remove the battery from your vehicle to recharge it.
- Before charging the battery, examine the battery case for cracks and other damage which may cause sulfuric acid (electrolyte) to leak during the charging process. If damage is detected, do not charge the battery or use it in your vehicle. Battery acid is very corrosive and can cause severe damage to surfaces it contacts.
- Do not charge the battery on a surface (such as a kitchen counter top) which could be damaged by the acid contained inside the battery. Take precautions to protect the surface on which you charge your battery.
- Use only a Power Wheels® 6 Volt charger (input 120VAC 60 Hz with an output of 6 VDC 300-400 mA) to charge your Power Wheels® 6 volt 4 Amp/Hr rechargeable battery.
- **Adults Note:** Regularly examine the charger for damage to the cord, plug, housing or other parts that may result in the risk of fire, electric shock or injury. In the event of any damage, do not use the charger until the damage has been properly repaired. Please call **1-800-348-0751**.
- If your battery is old and will not accept a charge, do not leave it in the vehicle. Always remove a dead battery from the vehicle.

BATTERY CHARGING

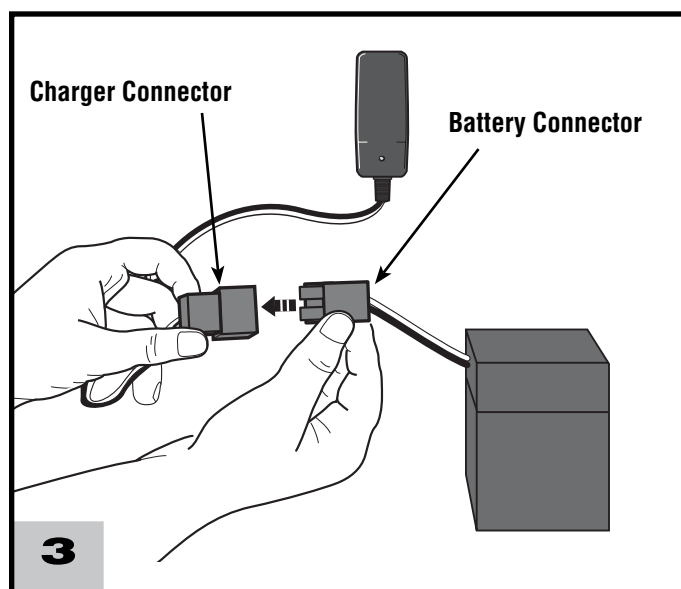
IMPORTANT! The battery must be removed from your vehicle for the initial charge in order to complete assembly. After assembly is complete, you do not need to remove the battery from your vehicle to recharge it.



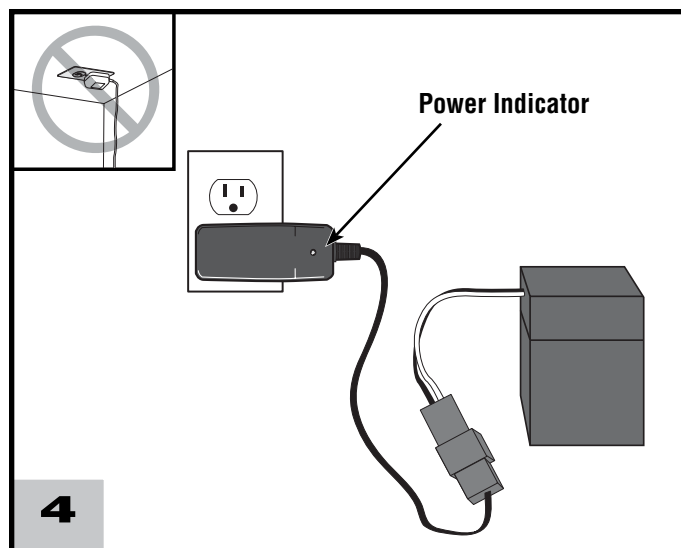
- Locate the lock fasteners in the back of the seat.
- Using a slotted screwdriver, turn the lock fastener a 1/4 turn to the unlocked position .



- Lift the seat to remove it from the vehicle.



- Plug the battery connector into the charger connector.



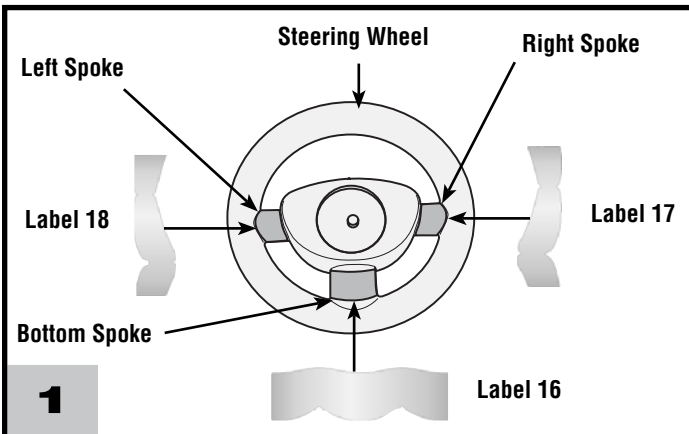
- Plug the charger into a standard wall outlet.

Note: Use the charger only in a wall outlet. Do not plug the charger into a ceiling outlet. If power flow to the wall outlet is controlled by a switch, make sure the switch is ON. The power indicator on the charger does not indicate the charge status of your battery. The power indicator allows you to see that there is power from the wall outlet.

- **Before first time use, charge the battery for at least 18 hours.** Never charge the battery longer than 30 hours.
- Recharge the battery after each use of your vehicle for at least 14 hours. Do not charge the battery longer than 30 hours.
- Once the battery is charged, disconnect the charger connector from the battery connector. Unplug the charger from the wall outlet. The battery is now ready to be installed in your vehicle. Please see “Battery Installation” on page 12 for detailed instructions on installing your battery. If your battery is already installed in your vehicle, simply re-connect the battery connector and motor connector and replace the battery retainer.

WARNING

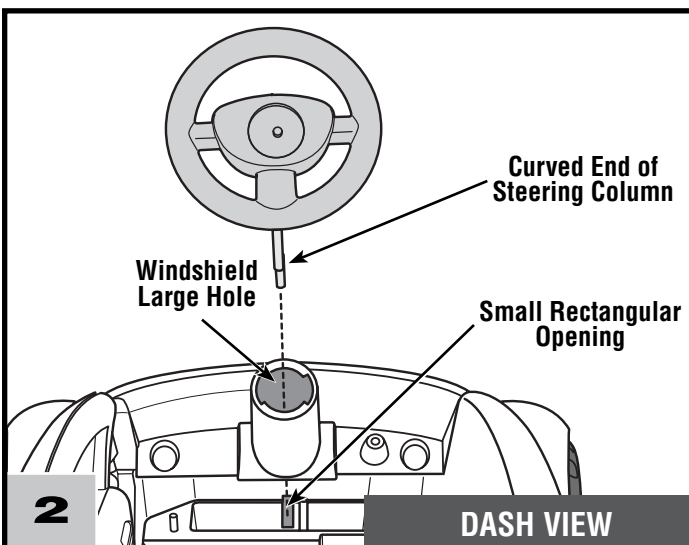
Children can be harmed by small parts, sharp edges and sharp points in the vehicle's unassembled state, or by electrical items. Care should be taken in unpacking and assembly of the vehicle. Children should not handle parts, including the battery, or help in assembly of the vehicle.



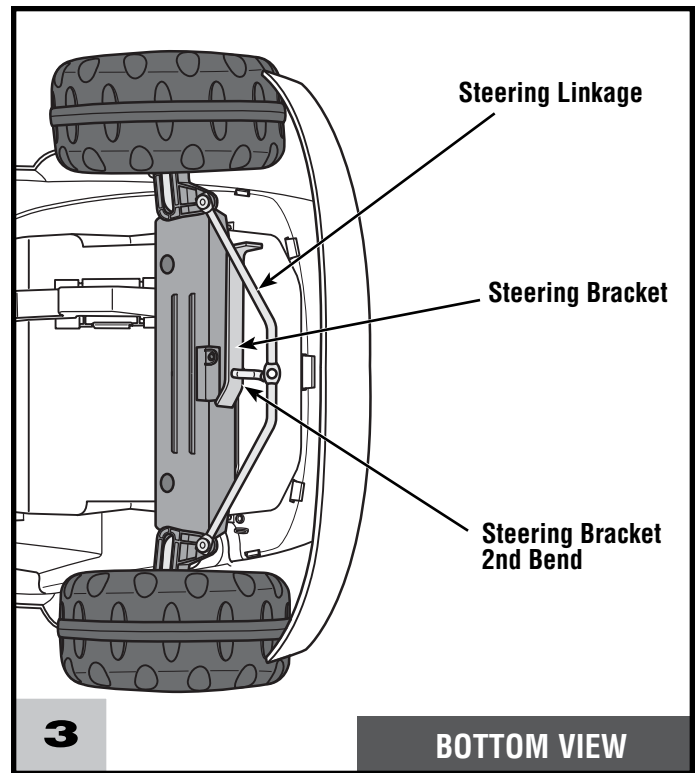
- Cut the steering wheel labels (#16, #17 and #18) from the larger label sheet. Now, position the steering wheel labels, as shown in the illustration, around the steering wheel.

Hint: These labels will be applied around the spokes on the steering wheel. Carefully apply the center portion of each label to the top side of each spoke. Gently smooth the label around each spoke.

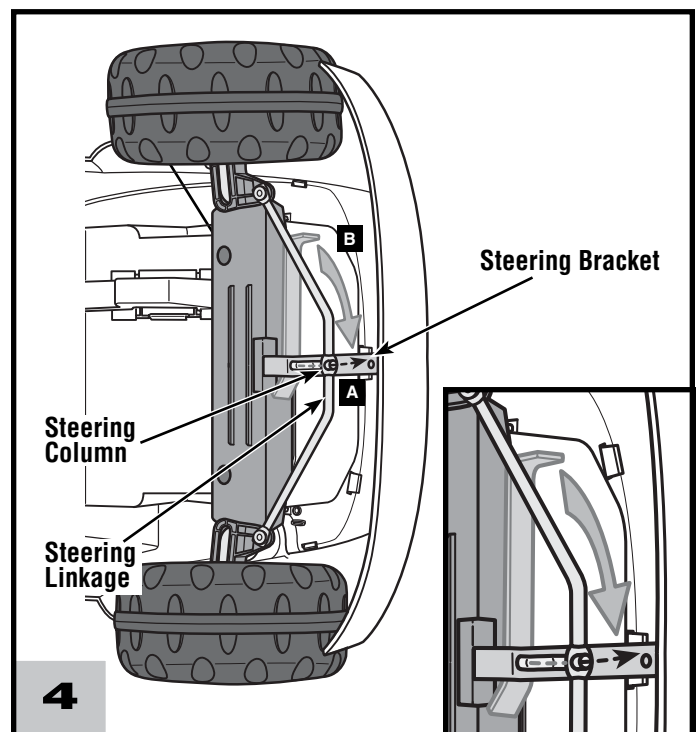
- Remove the backing from label 18 and apply the label to the left spoke. Remove the backing from label 16 and apply the label to the bottom spoke. Remove the backing from label 17 and apply the label to the right spoke.



- With the large opening in the steering wheel upright, fit the curved end of the steering column down into the large hole in the windshield.
- Continue to insert the curved end of the steering column through the small, rectangular opening in the floor of the vehicle.

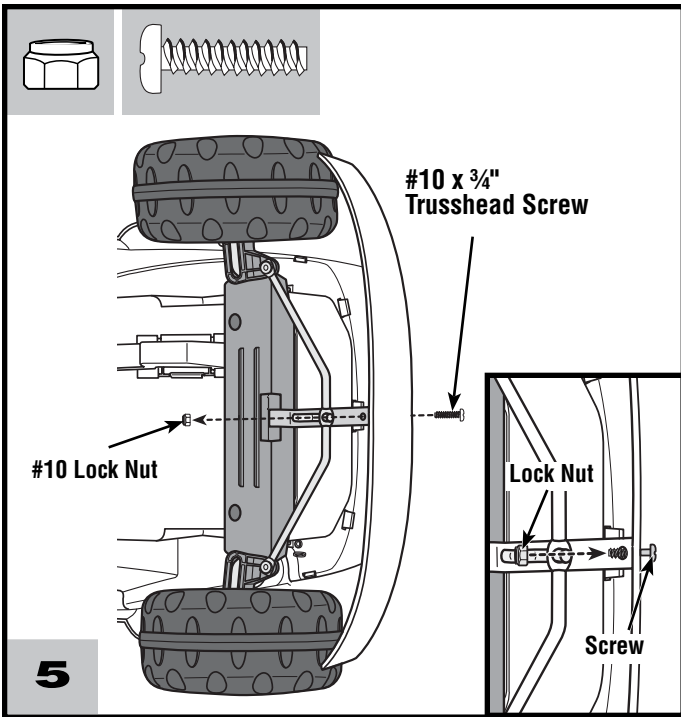


- Turn the vehicle on its side, so that the bottom faces you.
- Position the steering bracket **behind** the steering linkage, as shown.
- Fit the steering column through the hole in the steering bracket to the **second** bend.

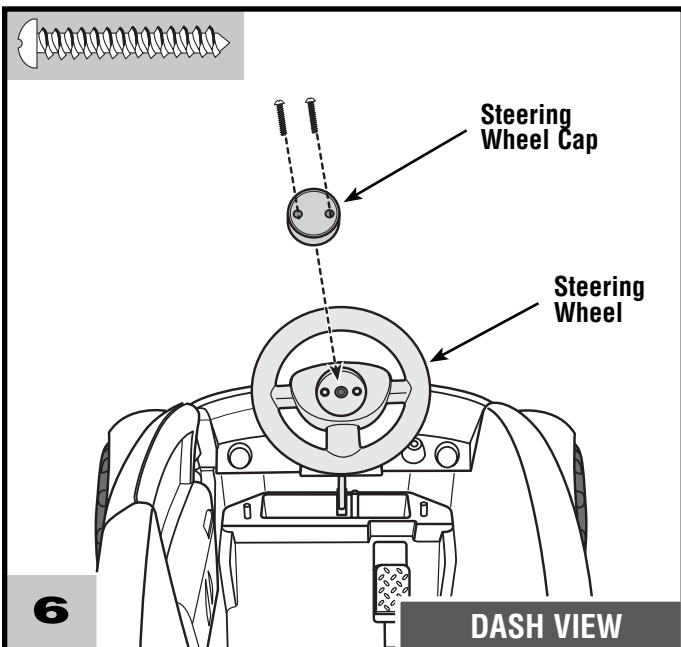


- Fit the end of the steering column through the hole in the steering linkage **A**.
- Turn the steering bracket and fit it into place **B**.

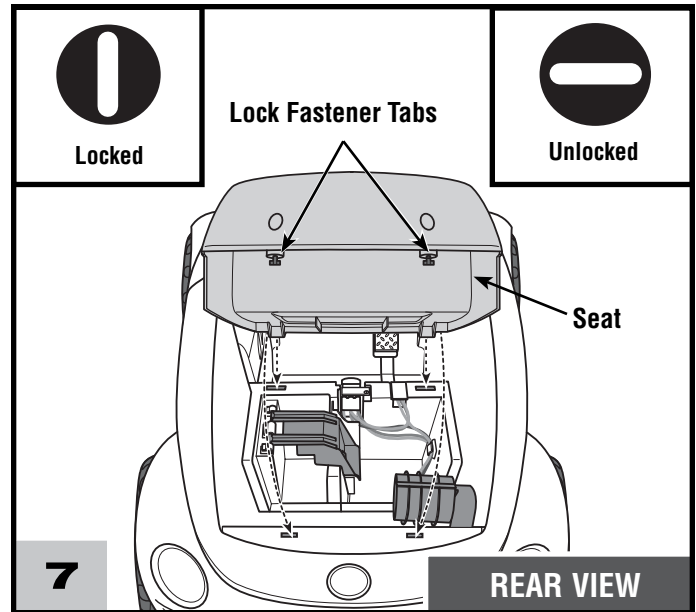
ASSEMBLY




- Insert a #10 x 3/4" trusshead screw through the front end of the vehicle and through the hole in the bracket.
- Attach the #10 lock nut to the end of the trusshead screw.
- While holding the lock nut in place with an adjustable wrench, tighten the screw.

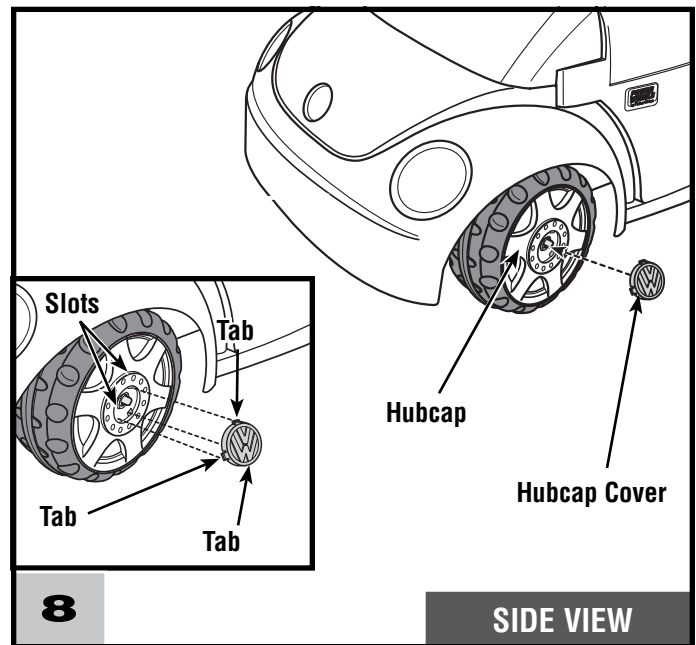


- Turn the vehicle upright.
- Fit the steering wheel cap into the center of the steering wheel.
- Insert two #6 x 1" screws through the steering wheel cap and into the steering wheel. Tighten the screws.



- Insert the seat front tabs into the slots inside the vehicle.
- Then, insert the lock fastener tabs on the back of the seat into the slots in the vehicle.
- Using a slotted screwdriver, turn each lock fastener a 1/4 turn to the locked  position.

IMPORTANT! Remember to keep the lock fasteners locked at all times to prevent children from accessing the vehicle battery compartment.

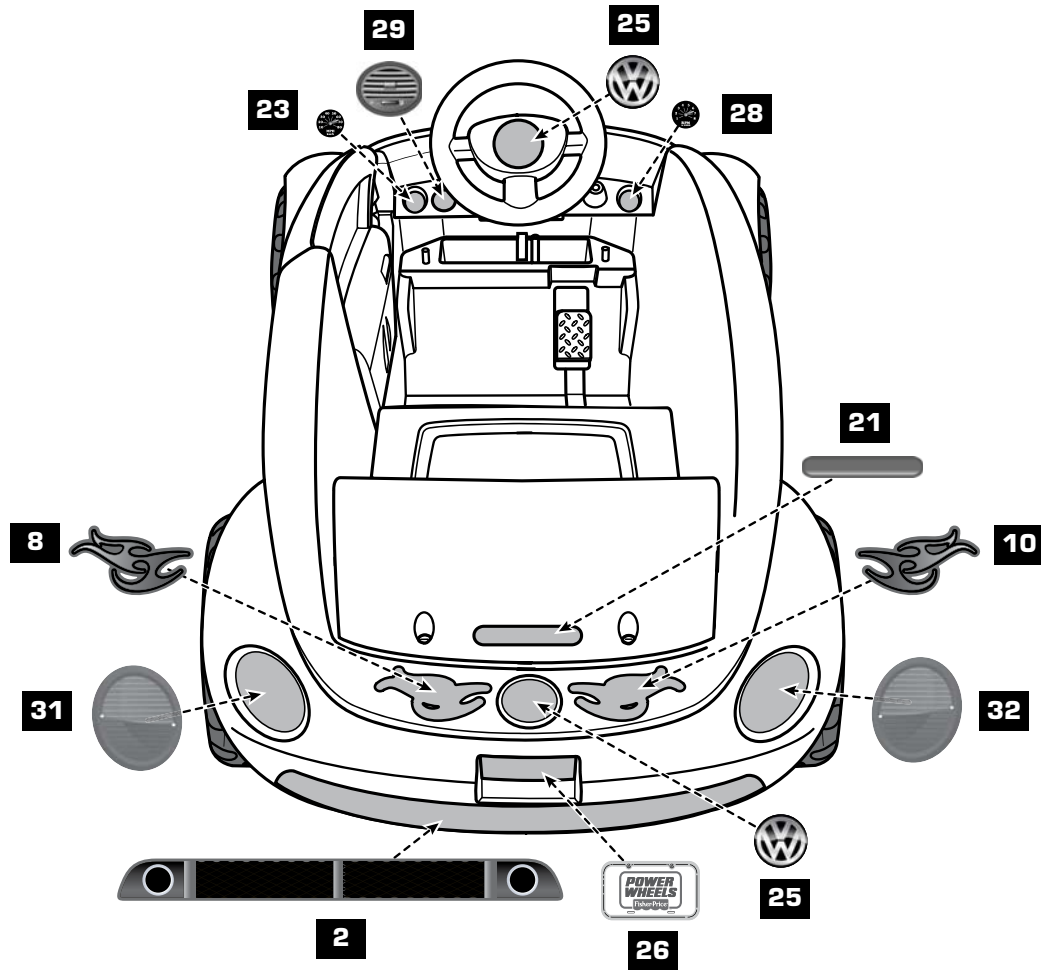


- Turn the vehicle upright (or keep it on its side).
- Insert one of the tabs on the hubcap cover into a slot in the hubcap.
- Then, push with your fingernail (or carefully with a slotted screwdriver), the other two hubcap cover tabs into the slots in the hubcap.
- Repeat this assembly step to attach the other three hubcap covers.

DECORATION

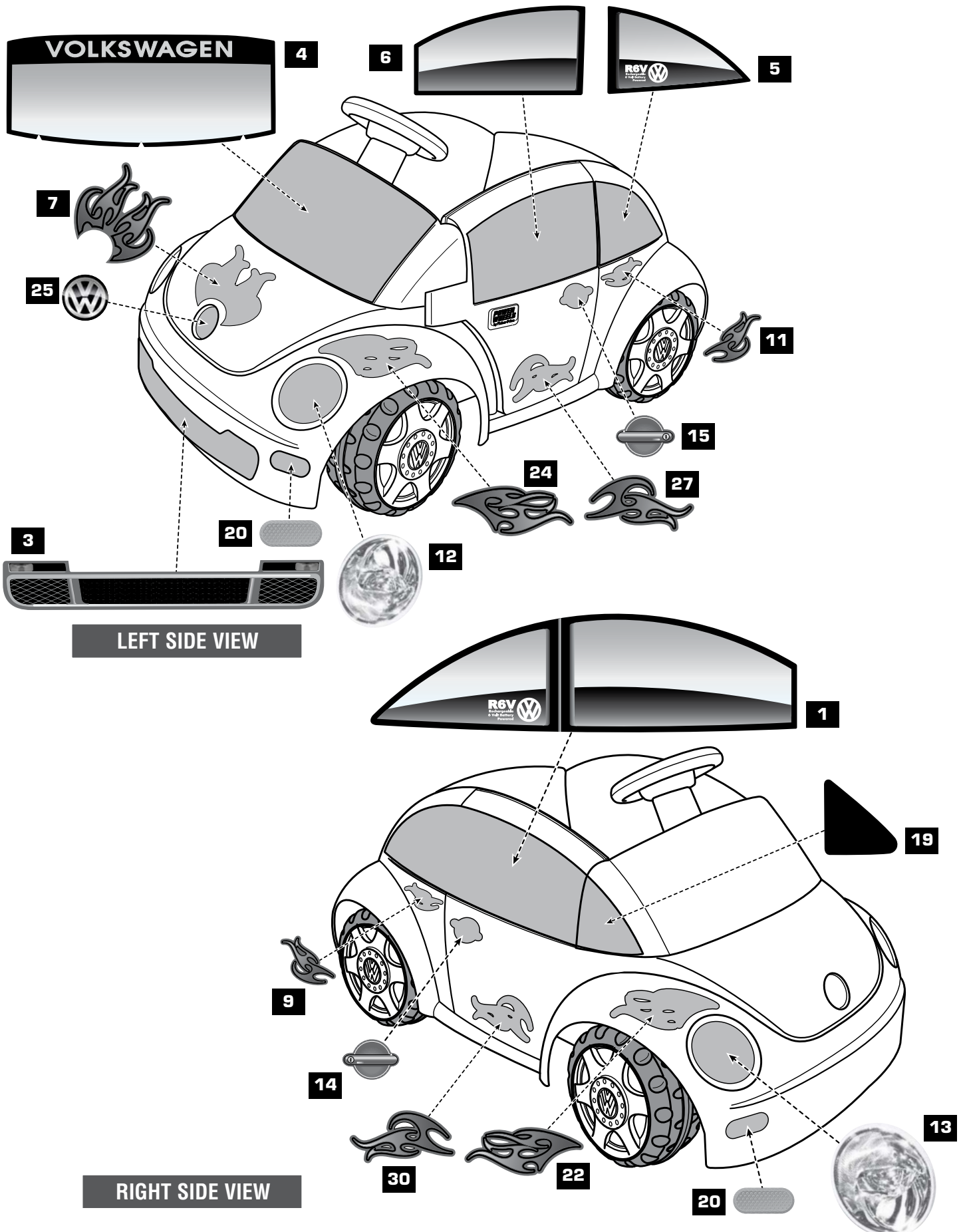
Proper label application will help to keep the labels looking their best! When applying labels, keep the following guidelines in mind:

- Wash your hands before applying the labels.
- Before applying the labels, wipe the surface of the vehicle with a clean, dry cloth to remove any dust or oils.
- Place the labels exactly as shown in the illustrations.
- For best results, avoid repositioning a label once it has been applied to the vehicle.
- After applying a label, rub the label firmly with a clean, dry cloth to make sure the label is adhered to your vehicle. Start at the center of a label, and smooth towards the outer edges to remove air bubbles.



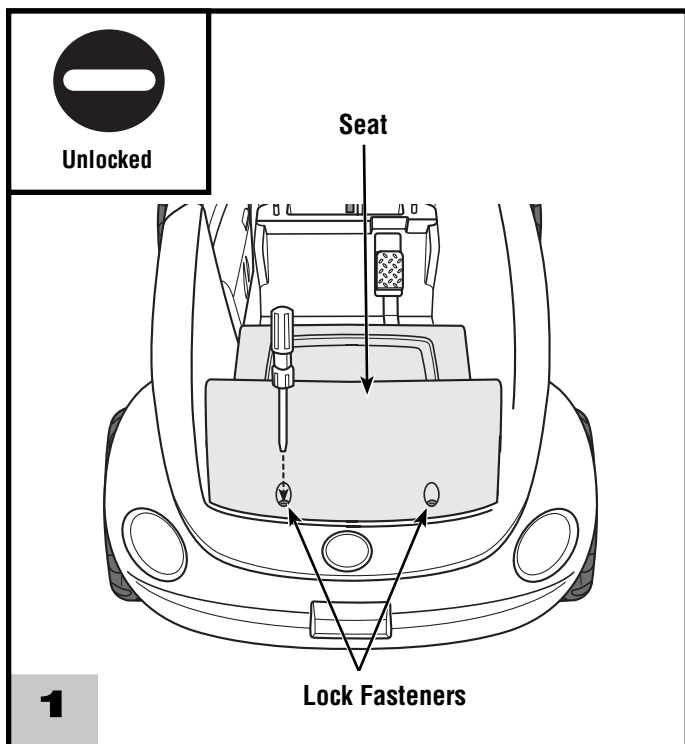
REAR VIEW


DECORATION

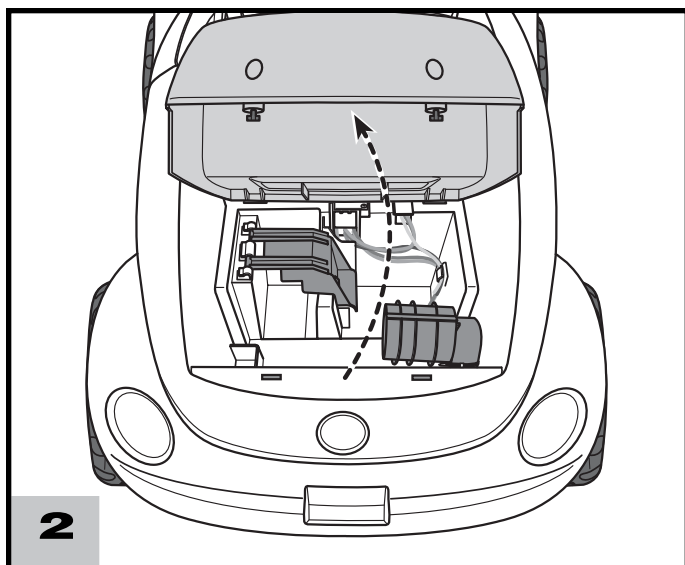


BATTERY INSTALLTION

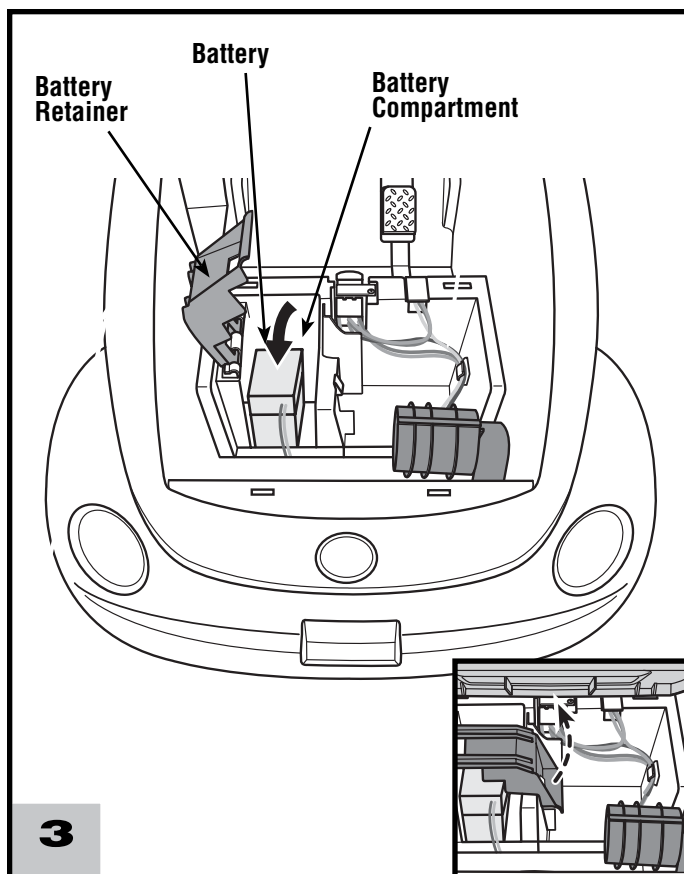
IMPORTANT! Use only a Power Wheels® 6 volt, 4 Amp/Hr rechargeable battery and built-in thermal fuse. Use of any other battery will damage your vehicle. Make sure that you charge the battery for at least 18 hours using the enclosed Power Wheels® 6 volt charger before operating your vehicle for the first time. Charge the battery for at least 14 hours after each use of the vehicle. Never charge the battery longer than 30 hours. Failure to follow these instructions may damage your battery and will void your warranty.



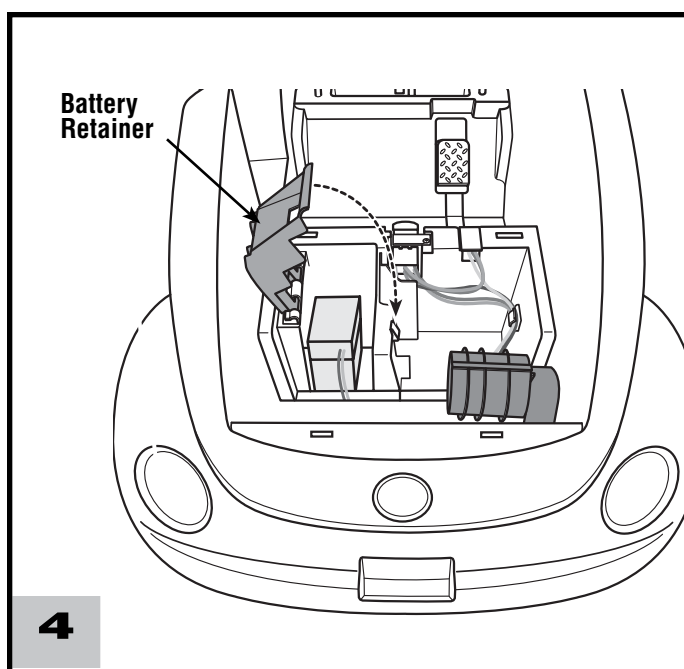
- Locate the lock fasteners in the back end of the seat.
- Using a slotted screwdriver, turn the lock fasteners a 1/4 turn to the unlocked position .



- Lift the seat to remove it from the vehicle.

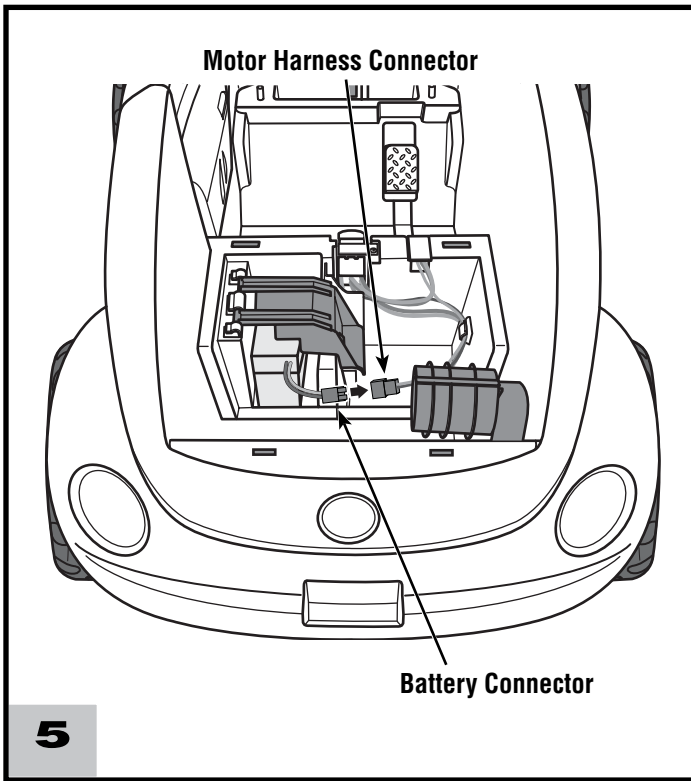


- While pressing the vehicle tab, lift the edge of the battery retainer.
- Place the Power Wheels® 6 volt battery upright in the battery compartment, as shown.



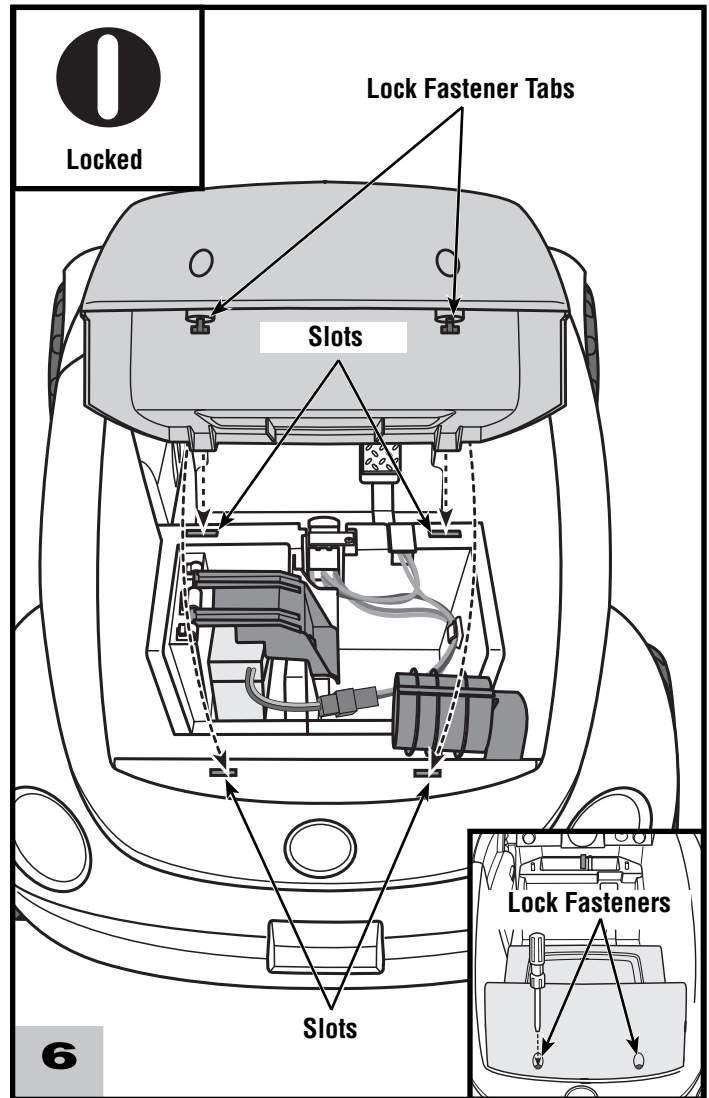
- Rotate the battery retainer down until it "**snaps**" into place. Pull up on the battery retainer to be sure it is secure.


BATTERY INSTALLTION



- Plug the battery connector into the motor harness connector.

Note: If the battery connector will not plug into the motor harness connector, turn it over and try again! Do not force the battery connector into the motor harness connector.



- Insert the seat front tabs into the slots inside the vehicle.
- Then, insert the lock fastener tabs on the back of the seat into the slots in the vehicle.
- Using a slotted screwdriver, turn each lock fastener 1/4 turn to the locked  position.

IMPORTANT! Remember to keep the lock fasteners locked at all times to prevent children from accessing the vehicle battery compartment.

Care

If a battery leak develops, avoid contact with the leaking acid and place the damaged battery in a plastic bag. See information below for proper disposal.

If acid comes in contact with skin or eyes, flush with cool water for at least 15 minutes and call a physician.

If acid is internally ingested, give water, milk of magnesia or egg whites immediately. Never give emetics or induce vomiting. Call a physician.

- Charge a new battery for at least 18 hours before first use. Never charge the battery longer than 30 hours. Overcharging or undercharging the battery may shorten battery life and decrease vehicle running time.
- After the first charge, recharge the battery for at least 14 hours after each use. Never charge the battery longer than 30 hours. Charge the battery after each use, regardless of how long the vehicle was used.
- The battery must be upright while charging.
- Do not allow the battery to run down completely before charging.
- Charge the battery before storing the vehicle.
- Charge the battery at least once per month, even if the vehicle has not been used.
- Leaving the battery in a discharged condition will ruin it.
- Always remove an exhausted battery from the vehicle. Battery leakage and corrosion can damage the vehicle.
- Do not store the battery on a surface (such as kitchen countertops) which could be damaged by the acid contained inside the battery. Take precautions to protect the surface on which you store the battery.
- Do not store the battery in temperatures above 75° F or below -10° F.
- Prevent the battery from moving freely inside the battery compartment.
- Examine the battery, charger and their connectors for excessive wear or damage each time you charge the battery. If damage is detected, do not use the charger or the battery until you have replaced the worn or damaged part.

Disposal



- Your Power Wheels® battery is a non-spillable sealed lead-acid battery. It must be recycled or disposed of in an environmentally sound manner.
- Do not dispose of a lead-acid battery in a fire. The battery may explode or leak.
- Do not dispose of a lead-acid battery in your regular, household trash. The incineration, landfilling or mixing of sealed lead-acid batteries with household trash is prohibited by law in most areas.
- Protect the environment by not disposing of this product with household waste (2002/96/EC). Check your local authority for recycling advice and facilities (Europe only).
- Return an exhausted battery to a federal or state approved lead-acid battery recycler, such as a Power Wheels® authorized service center or a local seller of automotive batteries. For the authorized service center location nearest to you, please visit us on-line at www.powerwheels.com or call **1-800-348-0751**. Contact your local waste management officials for other information regarding the environmentally sound collection, recycling and disposal of lead-acid batteries. If you live in the State of Florida or the State of Minnesota, it is prohibited by law for anyone to throw away lead-acid batteries in the municipal waste stream.

RIDING HAZARD

WARNING

- **Prevent Injuries and Deaths**
 - Direct Adult Supervision Required.
 - Never Ride At Night.
 - Keep Children Within Safe Riding Areas. These areas must be:
 - away from swimming pools and other bodies of water to prevent drownings
 - generally level to prevent tipovers
 - away from steps, steep inclines, cars, roads and alleys.
- **Riding Rules**

Make sure children know and follow these rules for safe driving and riding.

 - Always sit on the seat.
 - Always wear shoes.
 - Only 1 (one) rider at a time.

Teach Safety Rules to Children

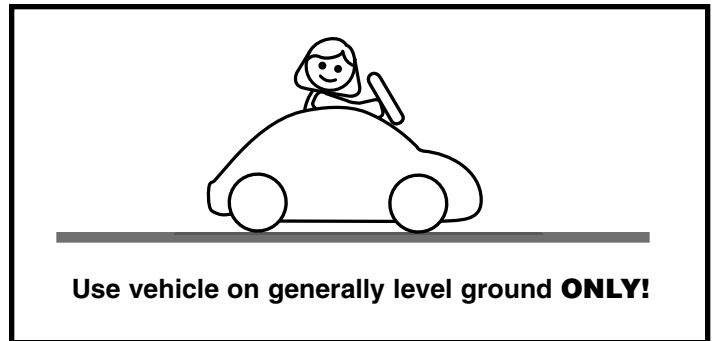
While children can quickly develop the skill necessary to drive this vehicle, it is important to remember that their judgment skills are still very immature. Unsupervised driving by children can lead to serious injury. Before children use this vehicle, an adult should carefully evaluate the driving area as well as the children's skill level and ability to drive this vehicle safely. Children are not always able to recognize or anticipate hazards, even when they have been taught about them. **There is no acceptable substitute for direct adult supervision.**

Teach appropriate safety rules to your child before allowing operation of this vehicle. These rules should also be reviewed with neighborhood children or other playmates who want to drive this vehicle.

Riding Rules

Make sure children know and follow these rules for safe driving:

1. Always sit on the seat.
2. Always wear shoes.
3. Only 1 (one) rider at a time. A child who is not sitting on the seat or who is standing on the vehicle could fall off, cause a tip-over or block the driver's view. A child could be seriously injured.
4. Do not allow any child to drive the vehicle in the street or near moving (motorized) vehicles.
5. Do not allow any child to drive near bodies of water (such as pools or creeks), obstructions (such as furniture, low tree limbs or play equipment), or drop-offs (such as stairs or decks).

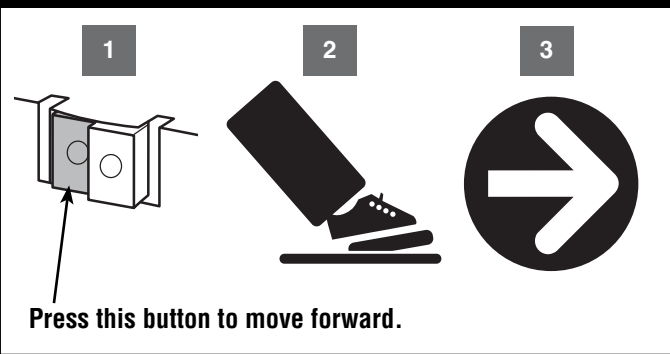


6. Do not allow any child to drive the vehicle in the dark. A child could encounter unexpected obstacles and have an accident. Operate the vehicle only in the daytime or a well-lit area.
7. Do not allow your child to drive on sloped or inclined surfaces. **Restrict your child's driving to generally level ground ONLY!**
8. Do not allow your child to drive down or across a steep slope.
 - The vehicle may gain unsafe speed, even if the pedal is released to stop.
 - The vehicle may tilt and tip over.
 - The wheels could lose traction, causing the vehicle to slip.
9. Do not allow your child to drive up steep inclines. The motor may stop and the vehicle could roll backwards at an unsafe speed.
10. Never put anything near any moving parts. Rotating parts such as motors, gear boxes and wheels can snag fingers, hair, etc., causing serious injury. Do not allow operation of the vehicle when it is on its side or in an upside-down position.
11. Do not operate the vehicle near flammable vapors (gasoline, paint thinner, acetone, liquid wax, etc.). The vehicle's electrical switches, like most electrical switches, emit an internal spark when first turned on or turned off. The presence of flammable liquids or vapors could cause an explosion or a fire. Keep all flammable products in tightly sealed containers and away from the vehicle.
12. Do not allow a child to operate the vehicle without direct adult supervision. To prevent unsupervised use of the vehicle, disconnect the motor harness from the battery when the vehicle is not in use.

VEHICLE OPERATION

IMPORTANT! Use this vehicle **ONLY** outdoors. Most interior flooring can be damaged by riding this vehicle indoors. Fisher-Price® will not be responsible for damage to the floor if the vehicle is used indoors.

FORWARD



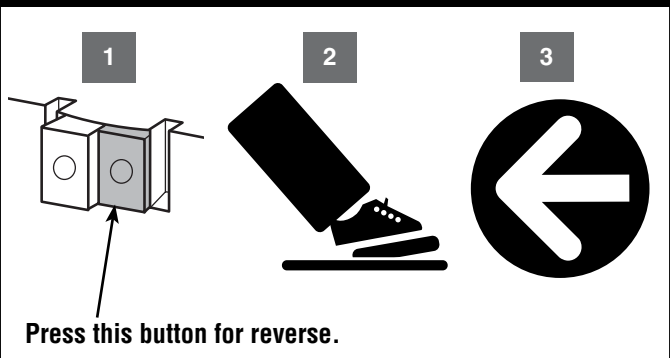
- Press the **FORWARD** 1 button below the seat.
- Press the foot pedal 2. The vehicle moves forward at a maximum of 2.5 mph 3.

STOP



- Your vehicle has a patented, electronic braking system that automatically stops the vehicle when your child's foot is lifted from the pedal.
- Make sure your child is comfortable with steering the vehicle and automatically knows how to stop.

REVERSE



IMPORTANT! To avoid damaging the motors and gears, be sure to stop the vehicle before switching from forward to reverse.

- Press the **REVERSE** 1 button below the seat.
- Press the foot pedal 2. The vehicle moves backward at a maximum of 2.5 mph 3.

VEHICLE CARE

- Check all screws, retainers and protective coverings regularly and tighten as required. Check plastic parts on a regular basis for cracks or broken pieces.
- During snowy or rainy weather, the vehicle should be stored inside or under a protective cover. Remember to charge the battery at least once per month while your vehicle is not in regular use.
- Avoid operating the vehicle in wet or snowy conditions, and do not spray the vehicle with a hose. Water or moisture in the motor or electrical switches can cause them to corrode, and could cause switch or motor failure.
- Avoid operating the vehicle on sand, loose dirt or gravel. Sand, loose dirt or gravel in the motor or electrical switches can cause them to jam, and could cause switch or motor failure.
- The vehicle can be wiped down with a soft, dry cloth. For a shiny finish, you can wipe plastic parts with a non-wax furniture polish applied to a soft-cloth. Do not use automotive wax. Do not use soap and water or spray the vehicle with a hose.
- To ensure that your vehicle stays in good operating order, we recommend that you periodically have your vehicle checked by a Power Wheels® authorized service center. For the location of the authorized service center nearest you, please visit us on-line at www.powerwheels.com or call 1-800-348-0751.

BUMPER-TO-BUMPER LIMITED WARRANTY

***One year limited warranty from the date of purchase on the Power Wheels® vehicle.**

Six month limited warranty on 6 volt battery.

For the original purchaser, this one year limited warranty covers the Power Wheels® ride-on vehicle (purchased from Power Wheels®) against defects in materials and workmanship. The six month limited warranty applies only to the 6 volt battery included by Power Wheels® with the original purchase of the vehicle.

This warranty covers normal use and does not cover the Power Wheels® vehicle or battery if it has been damaged by unreasonable use, neglect, accident, abuse, misuse, improper service or other causes not arising out of defects in materials or workmanship. Evidence of any attempt at consumer repair will void this warranty.

THIS WARRANTY DOES NOT COVER, AND IS INTENDED TO EXCLUDE, ANY LIABILITY ON THE PART OF POWER WHEELS®, WHETHER UNDER THIS WARRANTY OR IMPLIED BY LAW, FOR ANY INDIRECT OR CONSEQUENTIAL DAMAGES FOR BREACH OF WARRANTY. SOME STATES DO NOT ALLOW THE EXCLUSION OR LIMITATION, SO THIS LIMITATION MAY NOT APPLY TO YOU.

Should you need service or assistance with your vehicle during the warranty period, **do not return the vehicle to the store.** Power Wheels® has provided a nationwide network of authorized service centers. For the location of the authorized service center nearest you, please visit us on-line at www.powerwheels.com or call 1-800-348-0751. Power Wheels® is continually expanding our Authorized Service Center Network. If there is not an authorized service center in your area, please call Consumer Relations for information, 1-800-348-0751.

THIS WARRANTY GIVES YOU SPECIFIC LEGAL RIGHTS, AND YOU MAY ALSO HAVE OTHER RIGHTS WHICH MAY VARY FROM STATE TO STATE. **PLEASE SAVE YOUR ORIGINAL SALES RECEIPT.**

PROBLEMS AND SOLUTIONS GUIDE

IMPORTANT! If you experience a problem with your vehicle, first check the Problems and Solutions Guide below. If you still experience a problem, please contact Power Wheels® Consumer Relations, toll-free at **1-800-348-0751** between 9 AM and 7 PM (EST) Monday through Friday and 11 AM - 5 PM (EST) Saturday. Or, contact your local Power Wheels® authorized service center. For the location nearest you, please visit us on-line at www.powerwheels.com, or call **1-800-348-0751**.

PROBLEM	POSSIBLE CAUSE	SOLUTION
Vehicle does not run	Undercharged battery	Charge the battery. A new battery should have been charged for at least 18 hours before using the vehicle for the first time. After first-time use, recharge the battery for at least 14 hours after each use. Never charge the battery longer than 30 hours.
		Check all connectors. Make sure the battery connector is tightly plugged into the charger connector, and that the charger is plugged into the wall.
		Make sure power flow to the wall outlet is "ON".
	Charger is not working	There is no sure way to tell if your charger is working unless you have a volt meter. If you suspect there is a problem with your charger, contact your local Power Wheels® authorized service center. They can test your charger for you.
	Tripped thermal fuse	The built-in thermal fuse may "trip" and shut down operation of the vehicle if the vehicle is overloaded or the driving conditions too severe. Once a fuse has "tripped," remove your foot from the pedal and wait approximately 25 seconds before operating the vehicle again. To avoid repeated automatic shutdowns, do not overload the vehicle by exceeding the 50 lb (23 kg) maximum weight capacity or by towing anything behind the vehicle. Do not drive up hills or run into fixed objects, which can cause the wheels to stop spinning while power is still being supplied to the motors. If a thermal fuse continually trips, contact your local Power Wheels® authorized service center.
	Loose wire or loose connectors	Check all wires and connectors. Make sure the battery connector is tightly plugged into the motor harness connector and that there are no loose wires around the motors.
	Dead battery	If your battery is old or if you have not followed Battery Care instructions, your battery may be dead. If you are unsure whether or not the battery is dead, you can have it tested at your local Power Wheels® authorized service center.
	Electrical switch damage	The electrical switches can become corroded due to exposure to water or moisture, or can jam due to loose dirt, sand or gravel. Contact your local Power Wheels® authorized service center for diagnosis and repair.
Motor damage	Contact your local Power Wheels® authorized service center for diagnosis and repair.	
Vehicle was running but suddenly stopped	Loose wire or loose connectors	Check all wires and connectors. Make sure the battery connector is tightly plugged into the motor harness connector, and that there are no loose wires around the motors.

PROBLEMS AND SOLUTIONS GUIDE

PROBLEM	POSSIBLE CAUSE	SOLUTION
Vehicle was running but suddenly stopped (cont.)	Tripped thermal fuse	The built-in thermal fuse may "trip" and shut down operation of the vehicle if the vehicle is overloaded or the driving conditions too severe. Once a fuse has "tripped," remove your foot from the pedal and wait approximately 25 seconds before operating the vehicle again. To avoid repeated automatic shutdowns, do not overload the vehicle by exceeding the 50 lb (23 kg) maximum weight capacity or by towing anything behind the vehicle. Do not drive up hills or run into fixed objects, which can cause the wheels to stop spinning while power is still being supplied to the motors. If a thermal fuse continually trips, contact your local Power Wheels® authorized service center.
Short run time (Less than 1 - 3 hours per charge)	Undercharged battery	Charge the battery. A new battery should have been charged for at least 18 hours before using the vehicle for the first time. After first-time use, recharge the battery for at least 14 hours after each use. Never charge the battery longer than 30 hours.
		Check all wires and connectors. Make sure the battery connector is tightly plugged into the charger connector, and that the charger is plugged into the wall.
		Make sure power flow to the wall outlet is "ON".
	Overcharged battery	Do not charge the battery longer than 30 hours. If you suspect that your battery is damaged as a result of overcharging, contact your local Power Wheels® authorized service center. They can test the battery for you.
	Battery is old and will not accept full charge	Even with proper care, a rechargeable battery does not last forever. Average battery life is 1 to 3 years depending on vehicle use and use conditions. Replace only with a Power Wheels® 6 Volt (4.0 amp/hr.) battery with built-in thermal fuse. Do not substitute parts.
Vehicle runs sluggishly	Tripped thermal fuse	The built-in thermal fuse may "trip" and shut down operation of the vehicle if the vehicle is overloaded or the driving conditions too severe. Once a fuse has "tripped," remove your foot from the pedal and wait approximately 25 seconds before operating the vehicle again. To avoid repeated automatic shutdowns, do not overload the vehicle by exceeding the 50 lb (23 kg) maximum weight capacity or by towing anything behind the vehicle. Do not drive up hills or run into fixed objects, which can cause the wheels to stop spinning while power is still being supplied to the motors. If a thermal fuse continually trips, contact your local Power Wheels® authorized service center.
		Charge the battery. A new battery should have been charged for at least 18 hours before using the vehicle for the first time. After first-time use, recharge the battery for at least 14 hours after each use. Never charge the battery longer than 30 hours.
		Check all connectors. Make sure the battery connector is tightly plugged into the charger connector, and that the charger is plugged into the wall.
		Make sure power flow to the wall outlet is "ON".
	Battery needs charging	Be sure to charge the battery after each use.
Battery is old and will not accept full charge	Even with proper care, a rechargeable battery does not last forever. Average battery life is 1 to 3 years depending on vehicle use and use conditions. Replace only with a Power Wheels® 6 Volt (4.0 amp/hr.) battery with built-in thermal fuse. Do not substitute parts.	

PROBLEMS AND SOLUTIONS GUIDE

PROBLEM	POSSIBLE CAUSE	SOLUTION
Vehicle runs sluggishly (cont.)	Vehicle is overloaded	Make sure you do not overload the vehicle by allowing more than one rider at one time, exceeding the 50 lb. maximum weight capacity, or by towing objects behind the vehicle. If the vehicle is overloaded, the built-in thermal fuse in the battery may "trip." Once a fuse has "tripped," remove your foot from the pedal and wait approximately 25 seconds before operating the vehicle again.. Adjust the driving conditions to prevent repeated automatic shutdowns.
	Driving conditions are too stressful	Use only on generally level ground.
Sometimes the vehicle doesn't run, but other times it does	Loose wire or connector	Check all wires around the motors and all connectors to make sure they are tight.
	Motor or electrical switch damage	Contact your local Power Wheels® authorized service center for diagnosis and repair.
When the foot pedal is pressed, the vehicle won't run without a push	Loose wire or connector	Check all wires around the motors and all connectors to make sure they are tight.
	"Dead Spot" on motor	Contact your local Power Wheels® authorized service center for diagnosis and repair.
Battery's thermal fuse constantly "trips", but the vehicle is not overloaded nor the driving conditions too severe	Damaged battery	Contact your local Power Wheels® authorized service center for diagnosis and repair.
	Child is switching between FORWARD and REVERSE without stopping	Teach your child to stop the vehicle before switching direction.
Loud clacking or grinding noise from a motor-gearbox	Broken gears	Contact your local Power Wheels® authorized service center for diagnosis and repair.
Charger gets warm during use	It is normal for some chargers to get warm during use and is not reason for concern. Some chargers do not get warm during use.	No action required.
		If your charger does not get warm during use, it does not mean that it is not working properly.
Battery makes a sizzling or gurgling noise when charging	It is normal for some batteries to make noise and swell slightly while charging and is not reason for concern.	No action required.
		If your battery does not make noise or swell slightly during charging, it does not mean that it is not accepting the charge.



Before first-time use, you must charge the battery 18 hours!

Charge the battery immediately after each use.

Charge the battery once a month, even if the vehicle is not used or stored.

Do not return your vehicle to the store!



CONSUMER ASSISTANCE
Call toll free: 1-800-348-0751 (US & Canada only)
M-F 9AM to 7PM / SAT 11AM to 5PM (EST)

service.fisher-price.com

Write to us at: Fisher-Price® Consumer Relations,
636 Girard Avenue, East Aurora, New York 14052.
Hearing-impaired consumers using TTY/TDD equipment,
please call 1-800-382-7470.

Or contact your local **independently owned and operated**
Power Wheels® Authorized Service Center.

For the location nearest you, visit us on-line at **www.powerwheels.com**.

Trademarks, design patents and copyrights are used with the approval of the owner Volkswagen AG.
Fisher-Price, Inc., a subsidiary of Mattel, Inc., East Aurora, New York 14052 U.S.A.
©2008 Mattel, Inc. All Rights Reserved. © and ™ designate U.S. trademarks of Mattel, Inc. unless otherwise indicated.