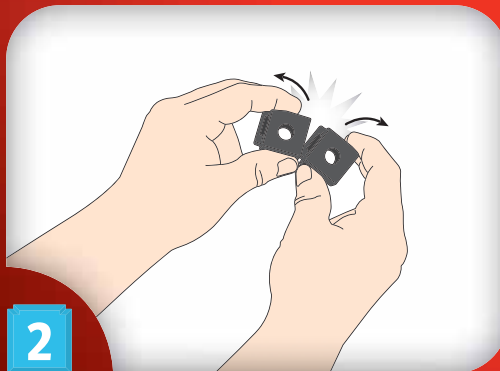
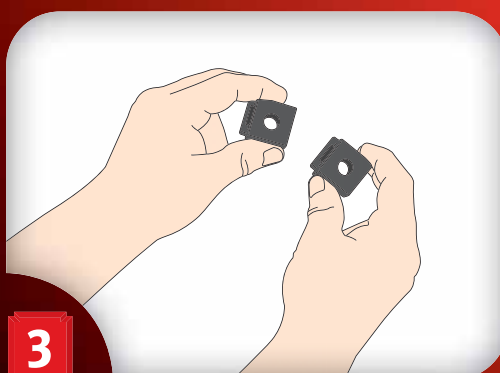




1



2



3

Fisher-Price, Inc., a subsidiary of Mattel, Inc., East Aurora, NY 14052 U.S.A. ©2009 Mattel, Inc.  
All Rights Reserved ® and ™ designate U.S. trademarks of Mattel, Inc.

Fisher-Price, Inc., une filiale de Mattel, Inc., East Aurora, NY 14052, États-Unis. ©2009 Mattel, Inc.  
Tous droits réservés. ® et ™ désignent des marques de Mattel, Inc. aux É.-U.

PRINTED IN CHINA / IMPRIMÉ EN CHINE

P9046a-0920

**⚠ WARNING**  
**CHOKING HAZARD – Small Parts.**  
 Not suitable for children under 3 years.

**⚠ ADVERTENCIA**  
**PUEDE CAUSAR ASFIXIA.**  
 No recomendable para menores de 3 años.  
 Contiene piezas pequeñas que podrían  
 provocar asfixia en caso de ser ingeridas  
 por el niño/a.

**⚠ AVERTISSEMENT**  
**NE CONVIENT PAS** aux enfants de moins  
 de 36 mois. Petits éléments détachables  
 susceptibles d'être avalés.

**⚠ ATENÇÃO**  
 Não é indicado para crianças com menos  
 de 36 meses por conter peças pequenas  
 capazes de criar risco de asfixia.

**UNITED STATES**  
 Questions? [www.service.fisher-price.com](http://www.service.fisher-price.com); 1-800-432-5437. Write to us at:  
 Fisher-Price® Consumer Relations, 636 Girard Avenue, East Aurora, NY 14052.

**CANADA**  
 Questions? [www.service.mattel.com](http://www.service.mattel.com); 1-800-432-5437.  
 Mattel Canada Inc., 6155 Freemont Blvd., Mississauga, Ontario L5R 3W2.

**GREAT BRITAIN**  
 Mattel UK Ltd, Vanwall Business Park, Maidenhead SL6 4UB.  
 Helpline: 01628 500303; [www.service.mattel.com/uk](http://www.service.mattel.com/uk).

**AUSTRALIA**  
 Mattel Australia Pty. Ltd., 658 Church Street, Locked Bag #870, Richmond,  
 Victoria 3121 Australia. Consumer Advisory Service 1300 135 312.

**NEW ZEALAND**  
 16-18 William Pickering Drive, Albany 1331, Auckland.

**ASIA**  
 Mattel East Asia Ltd, Room 1106, South Tower, World Finance Centre,  
 Harbour City, Tsimshatsui, HK, China.

**MALAYSIA**  
 Diimport & Diedarkan Oleh: Mattel SEA Ptd Ltd. (993532-P) Lot 13.5, 13th  
 Floor, Menara Lien Hoe, Persiaran Tropicana Golf Country Resort, 47410 PJ.  
 Tel: 03-78803817, Fax: 03-78803867.

**BRASIL**  
 Importado por: Mattel do Brasil Ltda.- CNPJ: 54.558.002/0008-04 - Av.  
 Tenente Marques, 1246 - Sala 02 - 2º. Andar - 07770-000 - Polvilho -  
 Cajamar - SP - Brasil. Serviço de Atendimento ao Consumidor (SAC):  
 0800-550780 - sac@mattel.com.



[www.triobuilding.com](http://www.triobuilding.com)



=



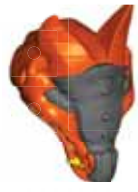
x2



x1



x4



x1



x2



x2



x2



x1



x1



x8



x8



x2



x1



x2



x2



x1



x1



x1



1



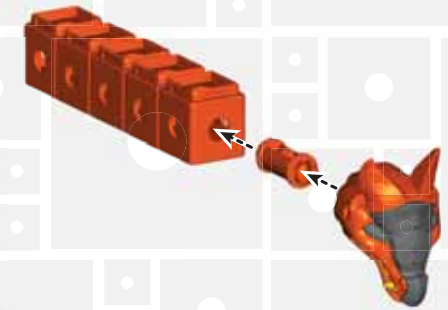
x1



x1



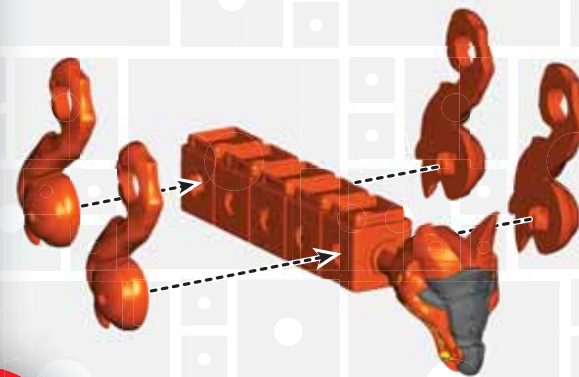
x1



x2



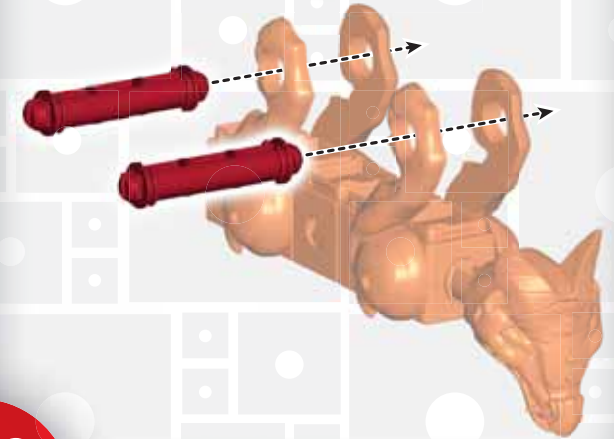
x2



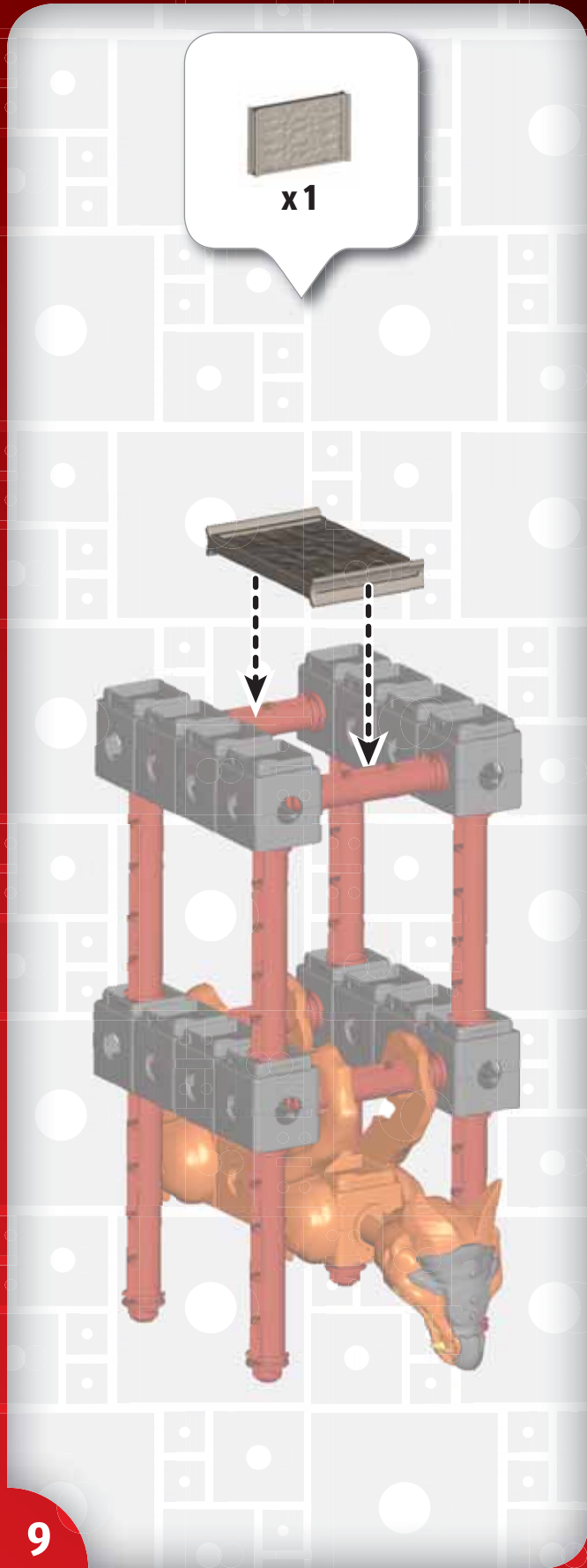
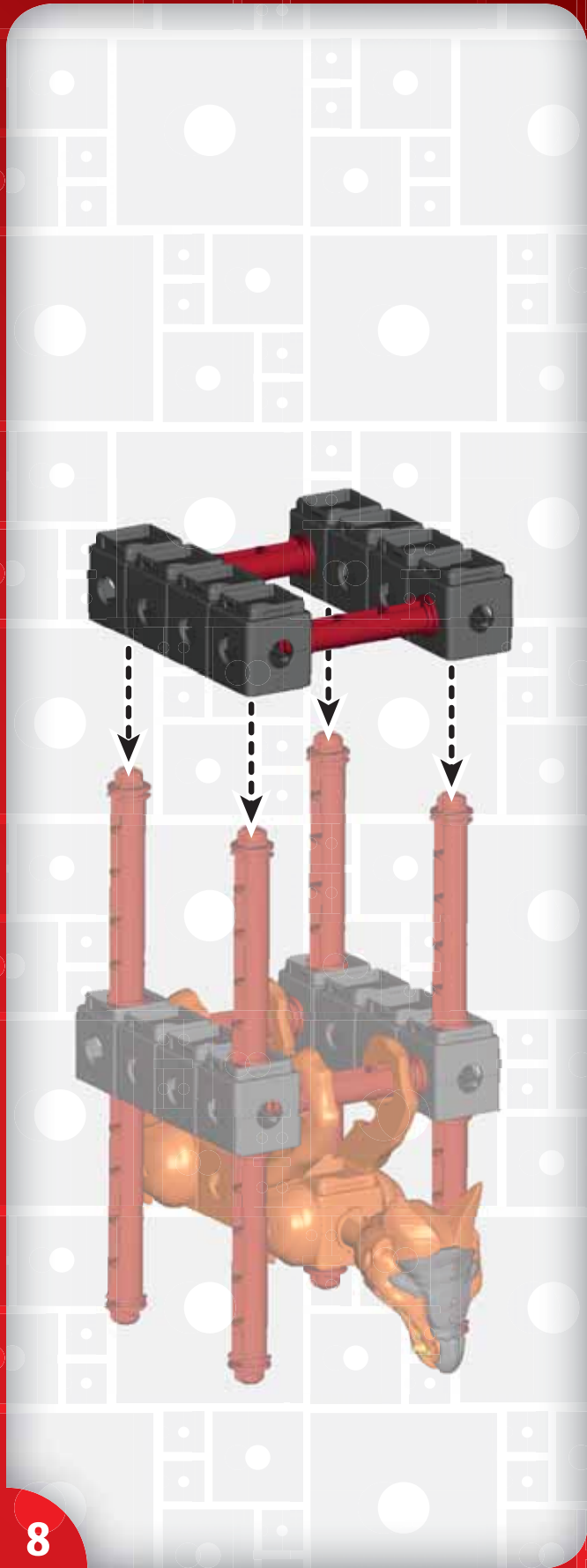
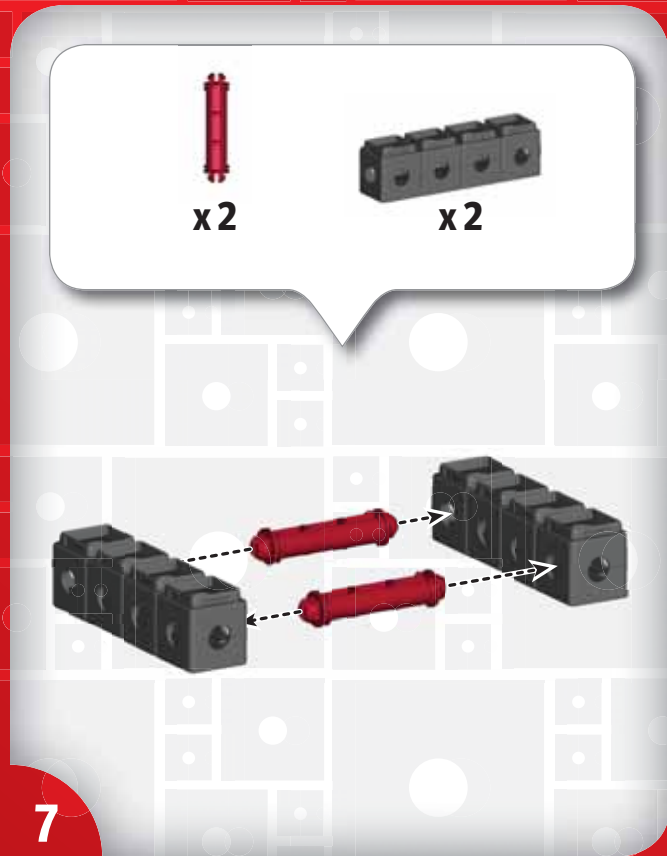
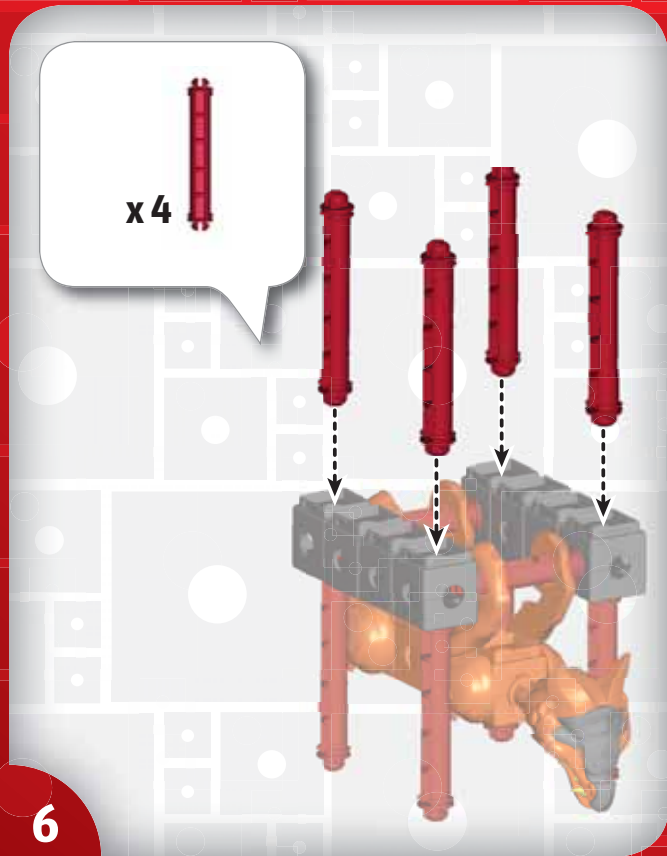
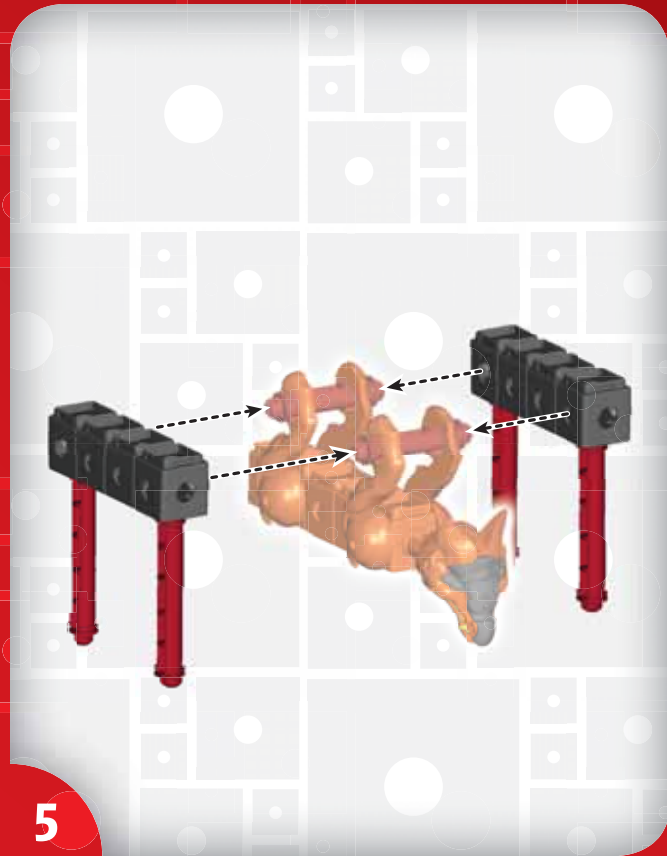
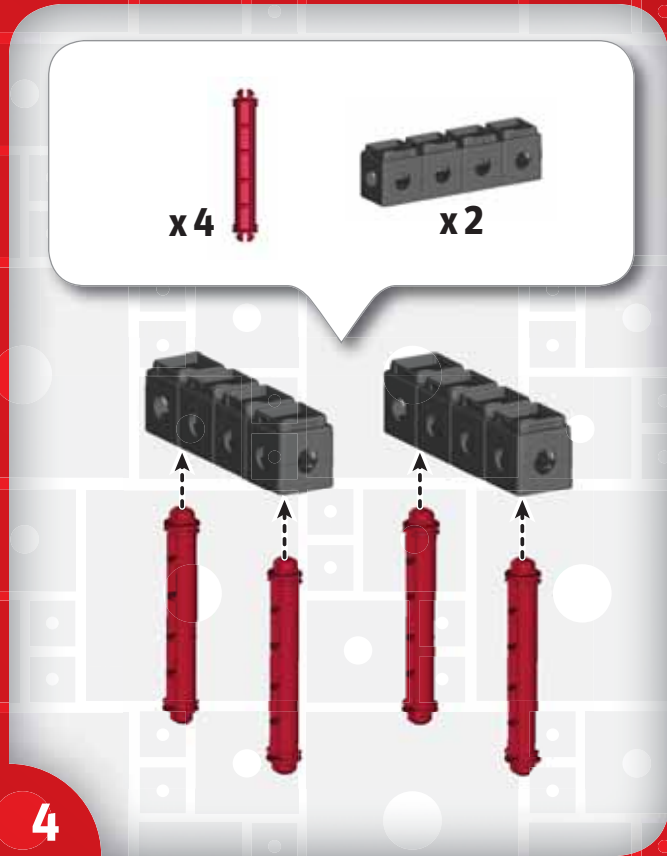
2



x2



3



10

x2 x2 x2

11

x1

14

12

13

x2 x2

15

x2 x2

16

