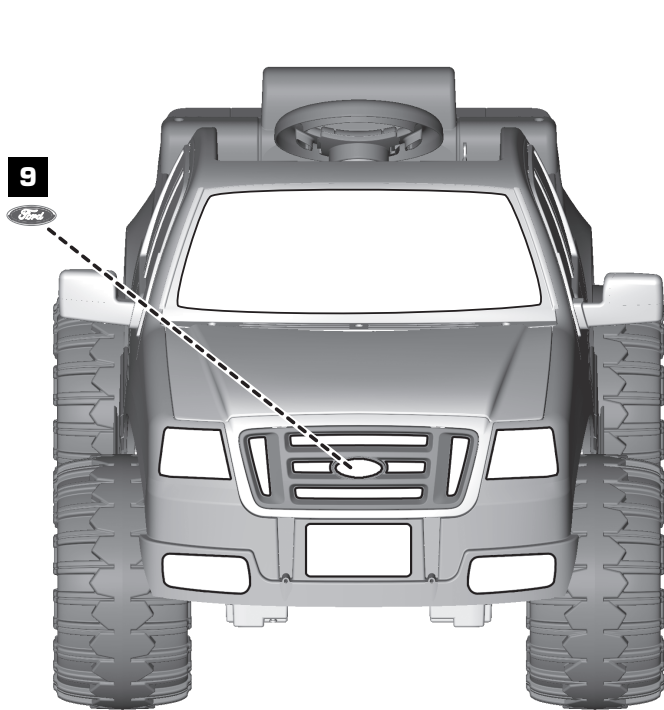
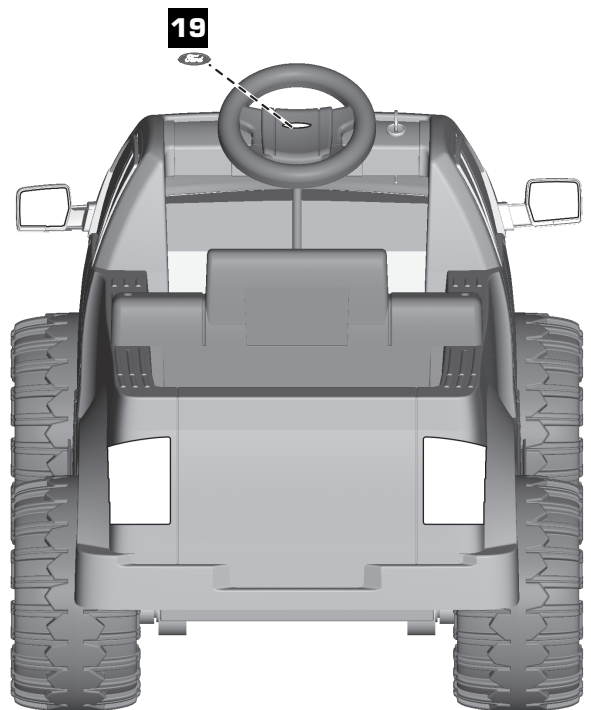




We Made a Change!



FRONT VIEW



REAR VIEW

Ford Oval and F-150 are registered trademarks owned and licensed by Ford Motor Company.

© Disney

Visit the Disney website at www.disney.com

Fisher-Price, Inc., a subsidiary of Mattel, Inc., East Aurora, New York 14052 U.S.A.

©2009 Mattel, Inc. All Rights Reserved. ® and ™ designate U.S. trademarks of Mattel, Inc., unless otherwise stated.