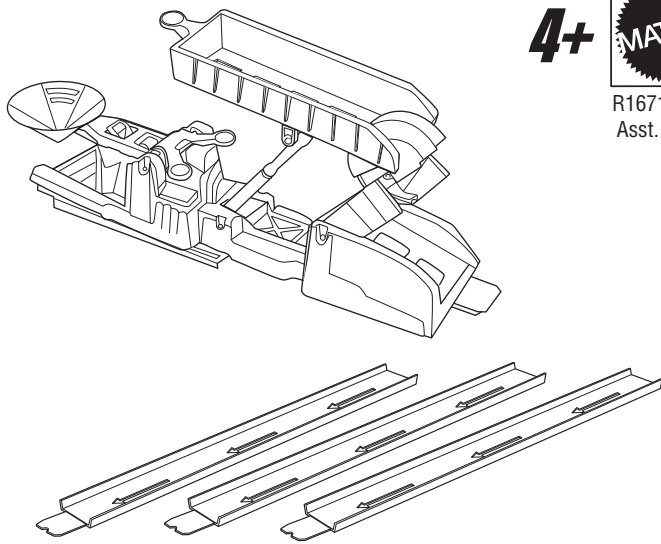




# LIFT LAUNCHER™

## INSTRUCTIONS

### CONTENTS



4+



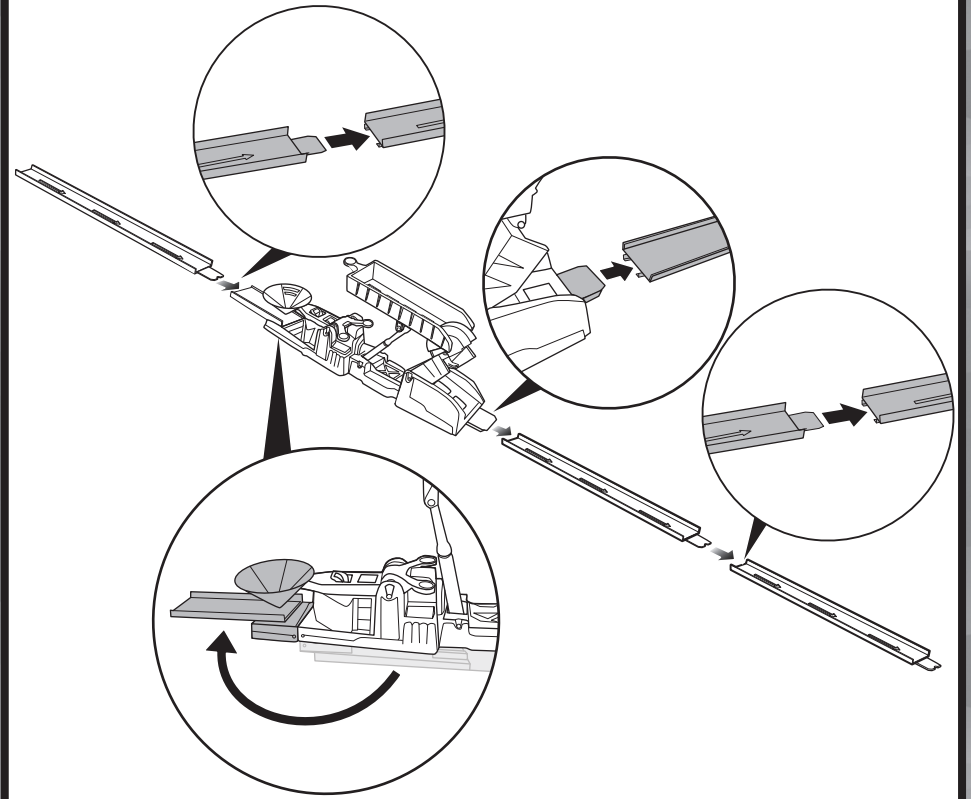
R1671-0920  
Asst. T1500



© 2009 Mattel, Inc. All Rights Reserved.

Consumer Relations – Mattel, Inc., 636 Girard Avenue, East Aurora, NY 14052, U.S.A. – 1-800-524-8697.  
service.mattel.com • Mattel Canada Inc., Mississauga, Ontario L5R 3W2. You may call us free at 1-800-524-8697.  
• Mattel U.K. Ltd., Vanwall Business Park, Maidenhead SL6 4UB. Helpline 01628500303 • Mattel Australia Pty.,  
Ltd., Richmond, Victoria. 3121. Consumer Advisory Service - 1300 135 312. • Mattel East Asia Ltd., Room 1106,  
South Tower, World Finance Centre, Harbour City, Tsimshatsui, HK, China. • Diimport & Diedarkan Oleh: Mattel  
SEA Ptd Ltd.(993532-P) Lot 13.5, 13th Floor, Menara Lien Hoe, Persiaran Tropicana Golf Country Resort, 47410  
P.J. Tel:03-78803817, Fax:03-78803867.

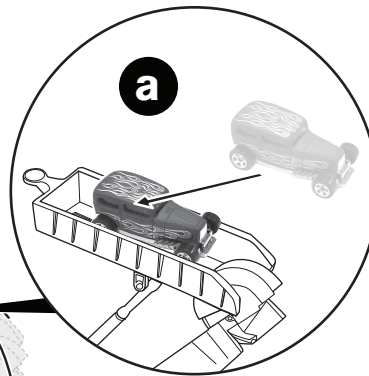
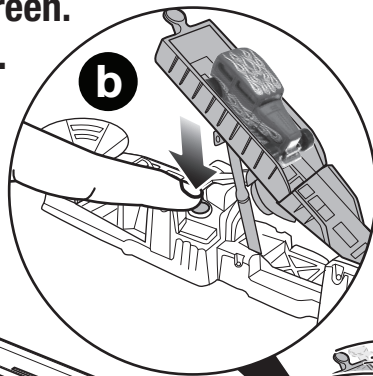
## ASSEMBLY



## TO PLAY

Note: All launch buttons are green.  
All reset buttons are red.

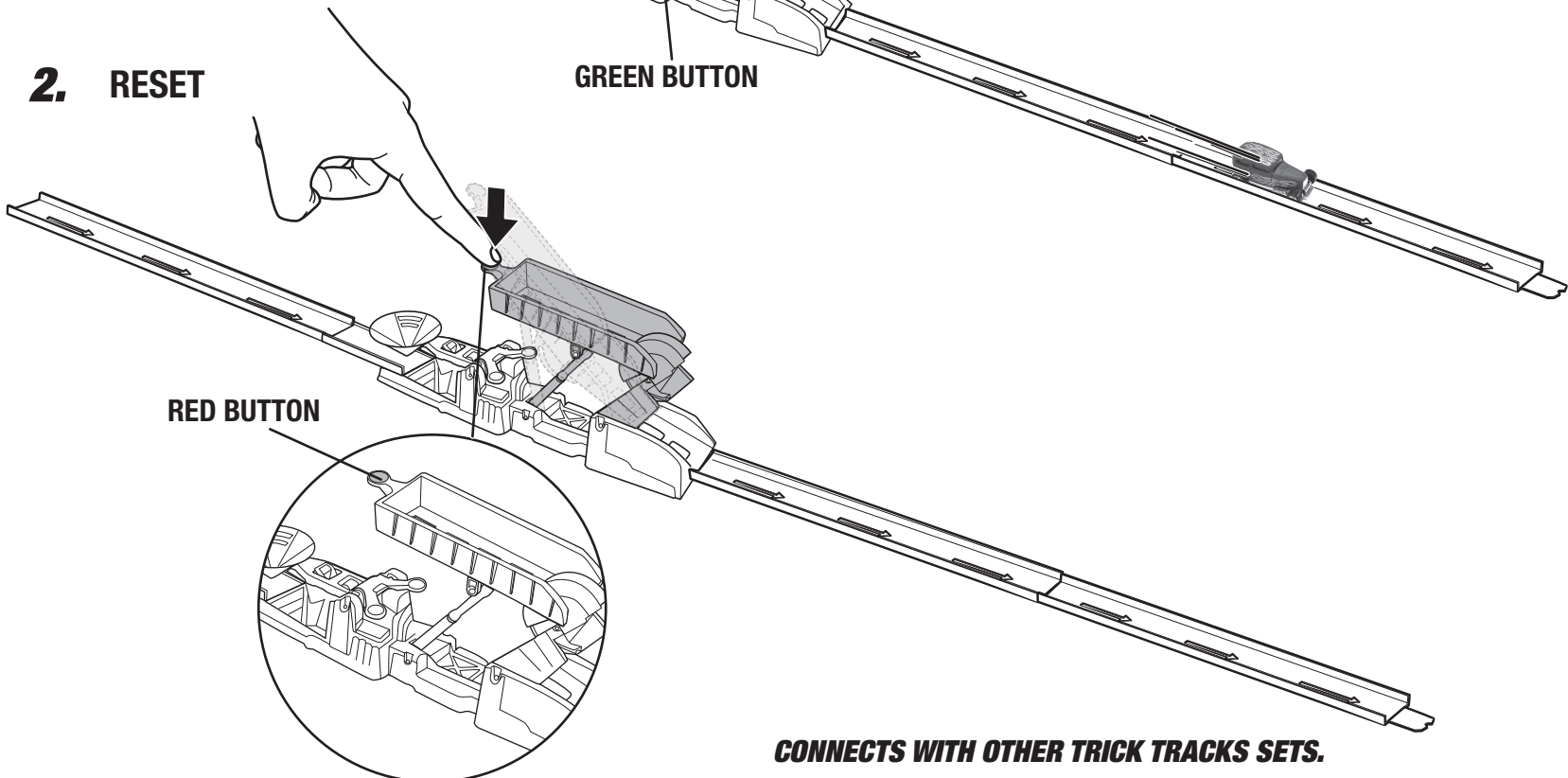
1.



2. RESET

GREEN BUTTON

RED BUTTON



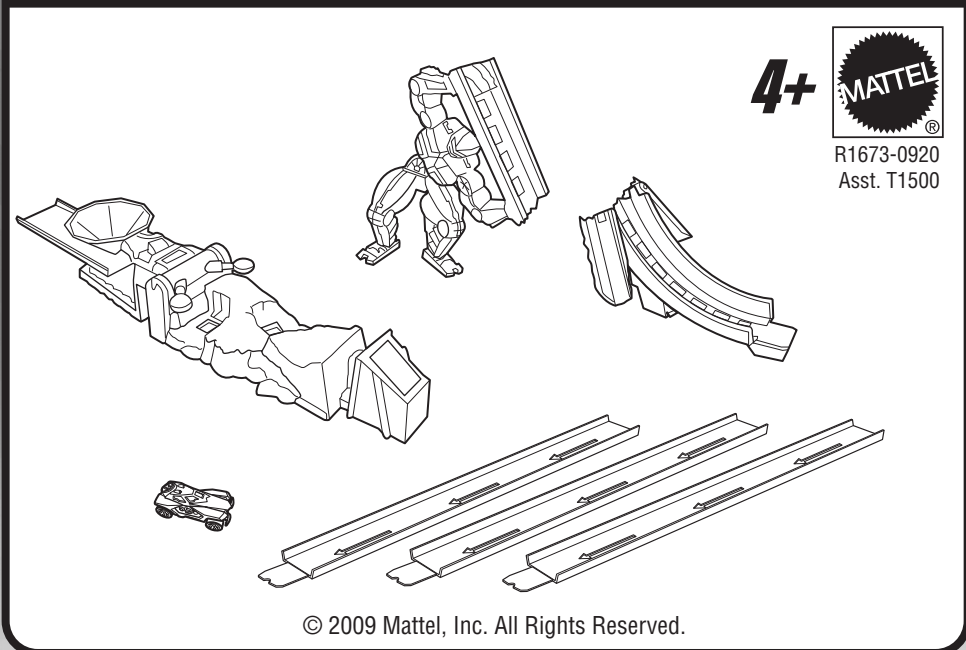
CONNECTS WITH OTHER TRICK TRACKS SETS.



# SLAM BRIDGE™

## INSTRUCTIONS

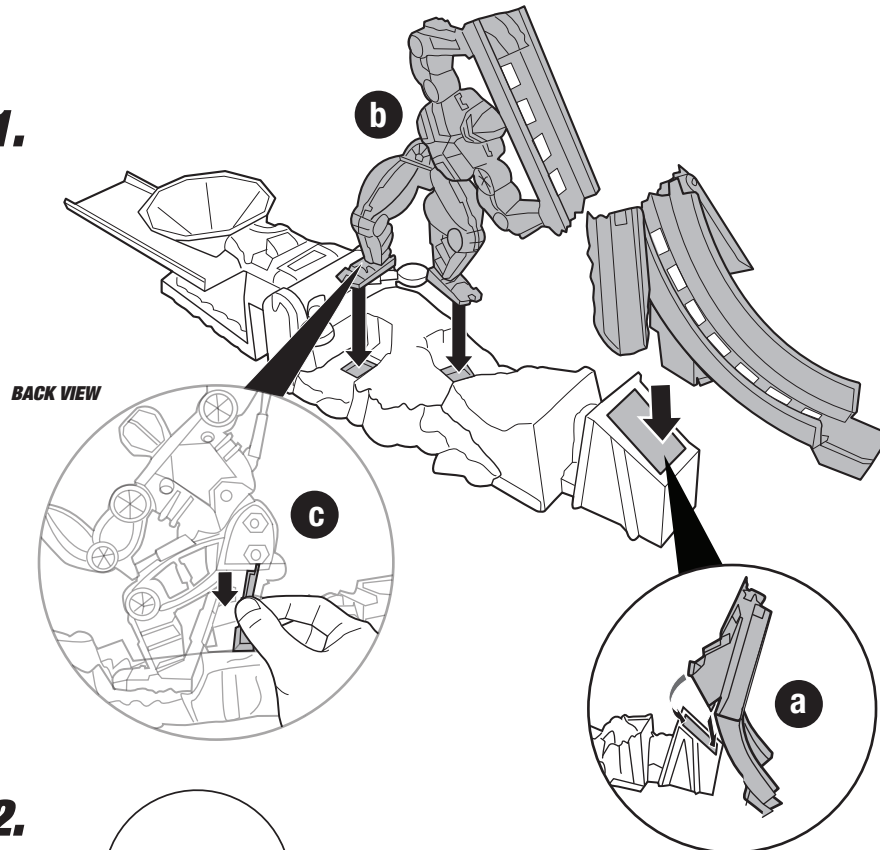
### CONTENTS



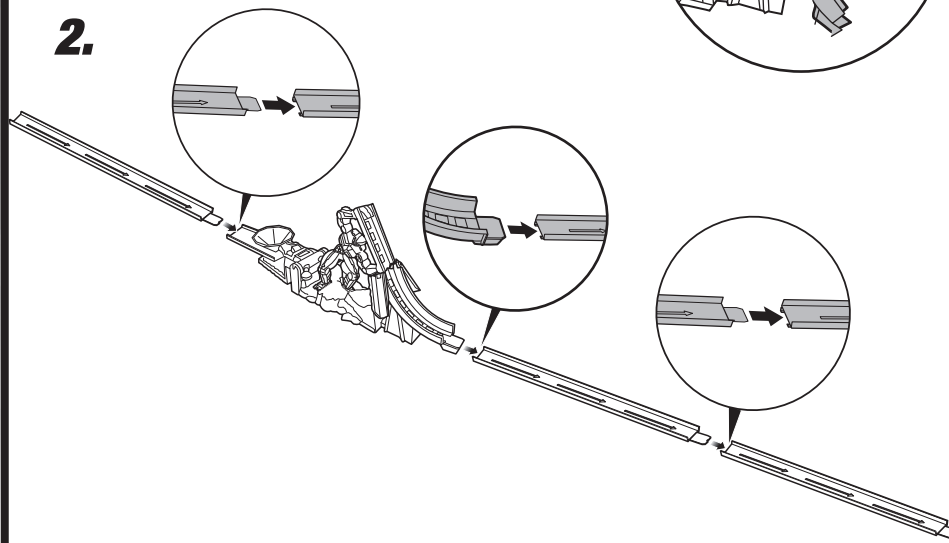
Consumer Relations – Mattel, Inc., 636 Girard Avenue, East Aurora, NY 14052 U.S.A. – 1-800-524-8697.  
 service.mattel.com • Mattel Canada Inc., Mississauga, Ontario L5R 3W2. You may call us free at 1-800-524-8697.  
 • Mattel U.K. Ltd., Vanwall Business Park, Maidenhead SL6 4UB. Helpline 01628500303 • Mattel Australia Pty.,  
 Ltd., Richmond, Victoria. 3121. Consumer Advisory Service - 1300 135 312. • Mattel East Asia Ltd., Room 1106,  
 South Tower, World Finance Centre, Harbour City, Tsimshatsui, HK, China. • Diimport & Diedarkan Oleh: Mattel  
 SEA Ptd Ltd.(993532-P) Lot 13.5, 13th Floor, Menara Lien Hoe, Persiaran Tropicana Golf Country Resort, 47410  
 P.J. Tel:03-78803817, Fax:03-78803867.

## ASSEMBLY

1.



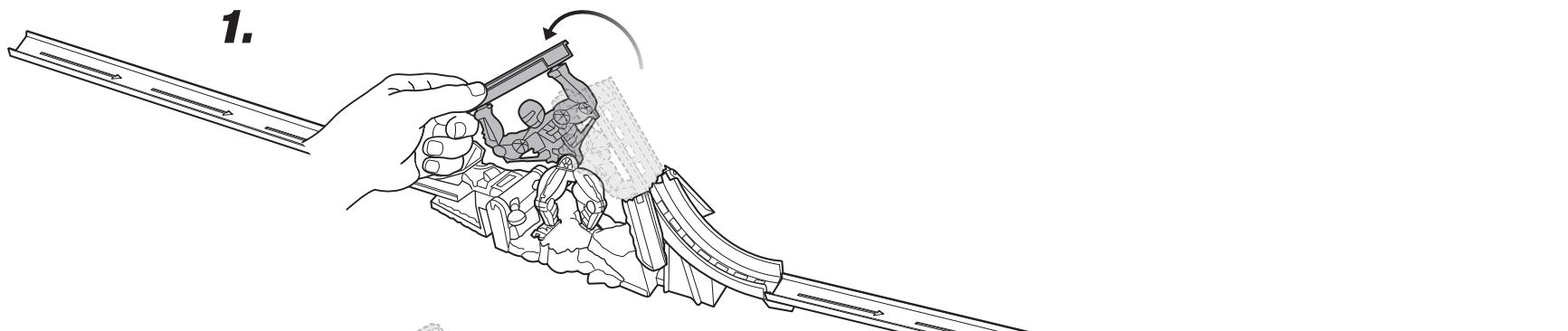
2.



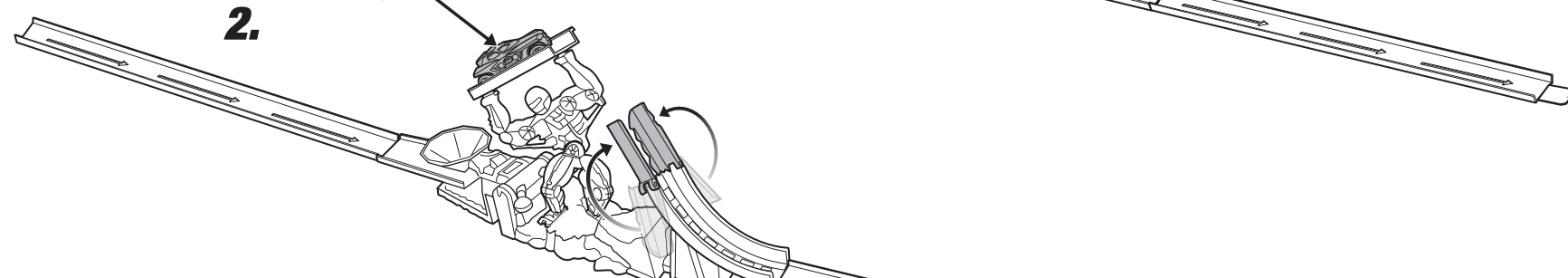
## TO PLAY

Note: All green buttons are launch buttons.

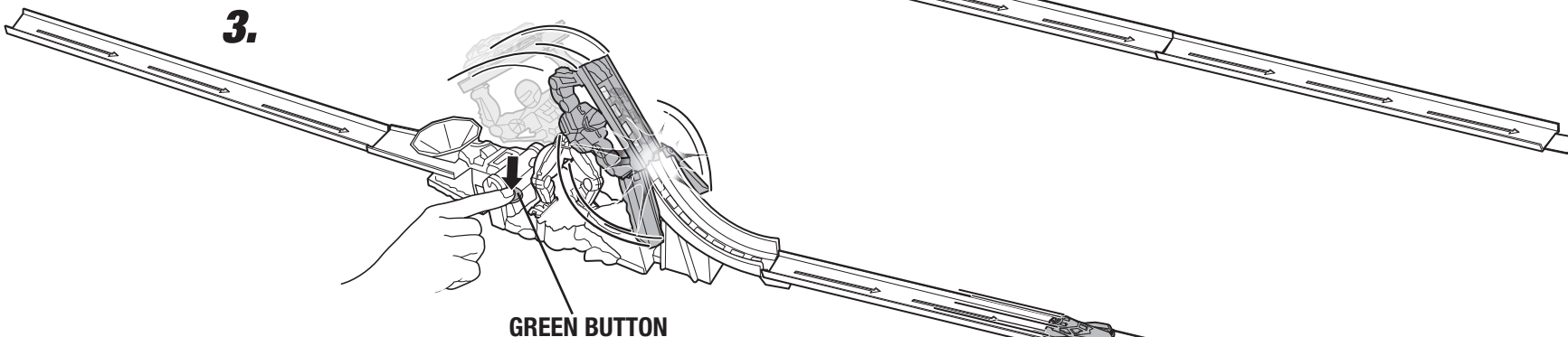
1.



2.



3.



GREEN BUTTON

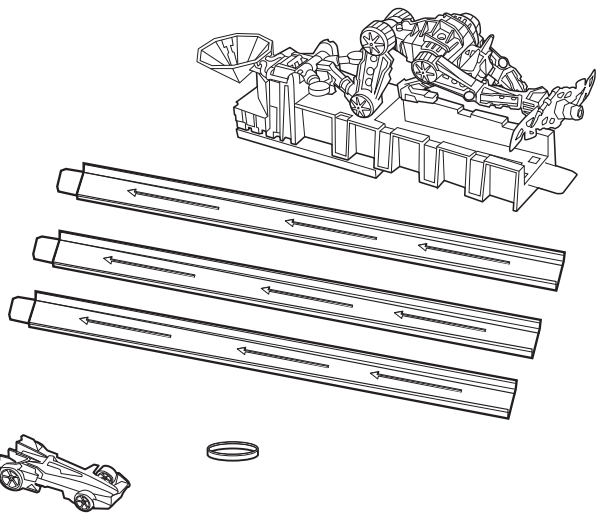
CONNECTS WITH OTHER TRICK TRACKS SETS.



# SPIN-BLADE

## INSTRUCTIONS

### CONTENTS



4+



R1674-0920  
Asst. T1500

**WARNING:**  
CHOKING HAZARD - Small parts.  
Not for children under 3 years.

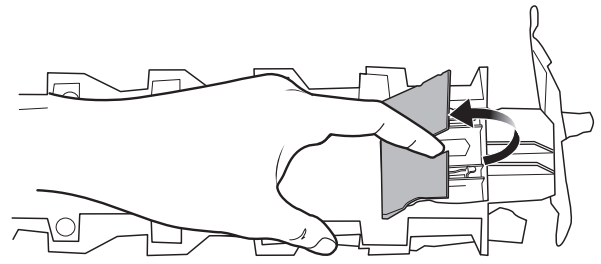
© 2009 Mattel, Inc. All Rights Reserved.

Consumer Relations – Mattel, Inc., 636 Girard Avenue, East Aurora, NY 14052, U.S.A. – 1-800-524-8697.  
service.mattel.com • Mattel Canada Inc., Mississauga, Ontario L5R 3W2. You may call us free at 1-800-524-8697.  
• Mattel U.K. Ltd., Vanwall Business Park, Maidenhead SL6 4UB. Helpline 01628500303 • Mattel Australia Pty.,  
Ltd., Richmond, Victoria. 3121. Consumer Advisory Service - 1300 135 312. • Mattel East Asia Ltd., Room 1106,  
South Tower, World Finance Centre, Harbour City, Tsimshatsui, HK, China. • Diimport & Diedarkan Oleh: Mattel  
SEA Ptd Ltd.(993532-P) Lot 13.5, 13th Floor, Menara Lien Hoe, Persiaran Tropicana Golf Country Resort, 47410  
P.J. Tel:03-78803817, Fax:03-78803867.

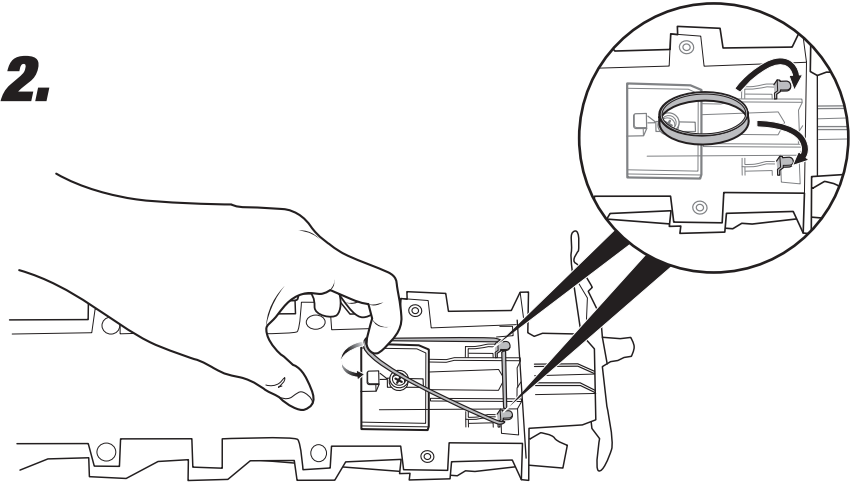
### REPLACE RUBBER BAND

**ADULT SUPERVISION REQUIRED.**

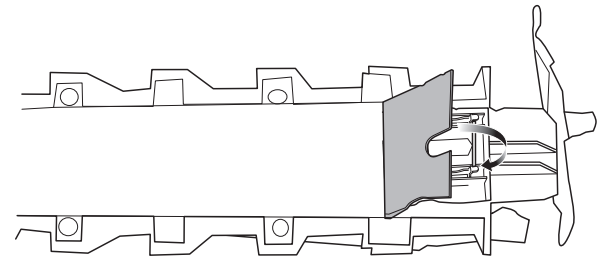
1.



2.

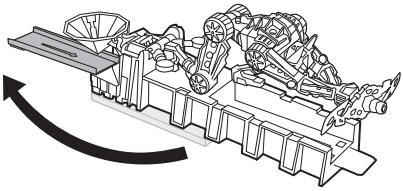


3.

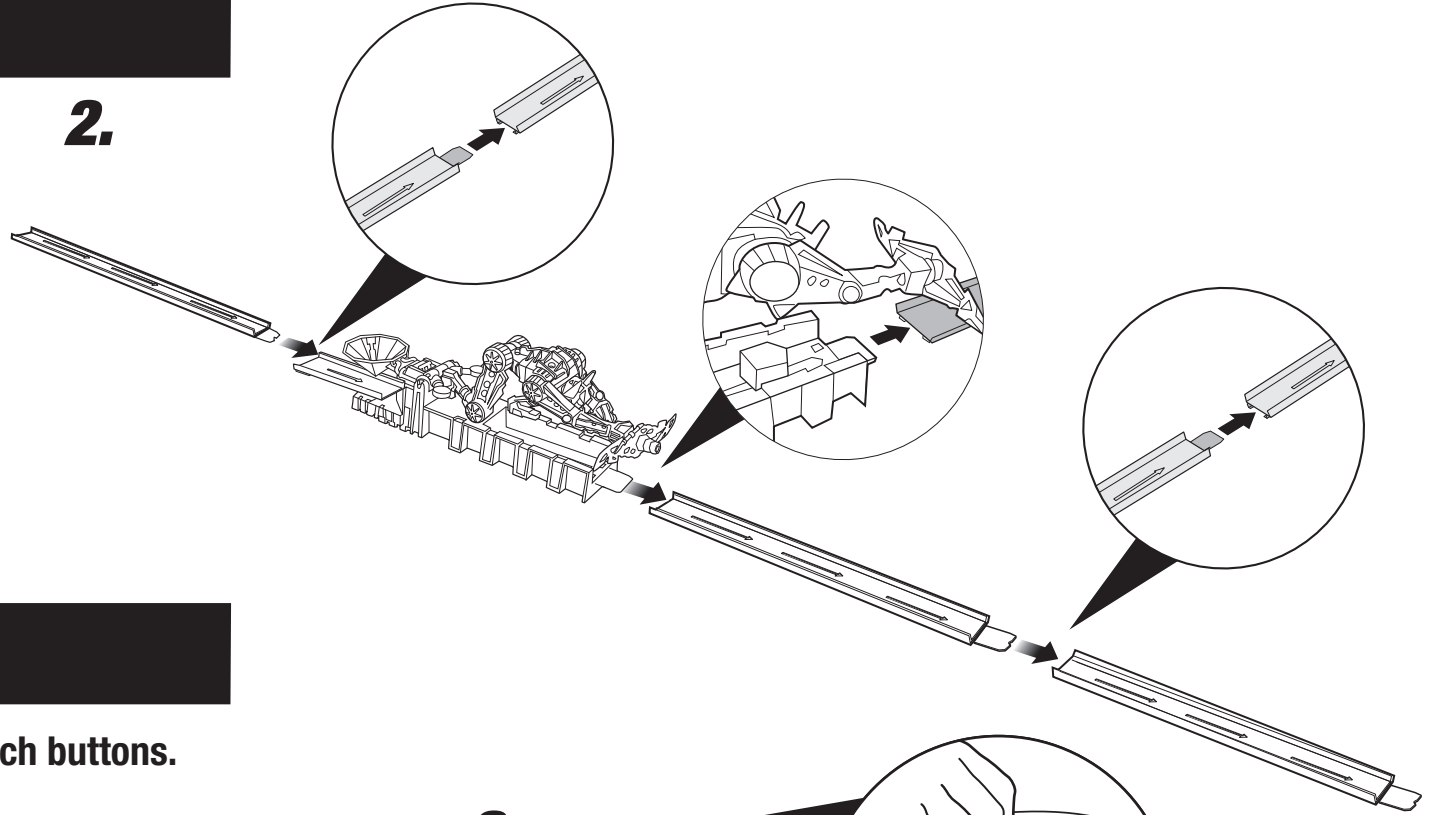


### ASSEMBLY

1.



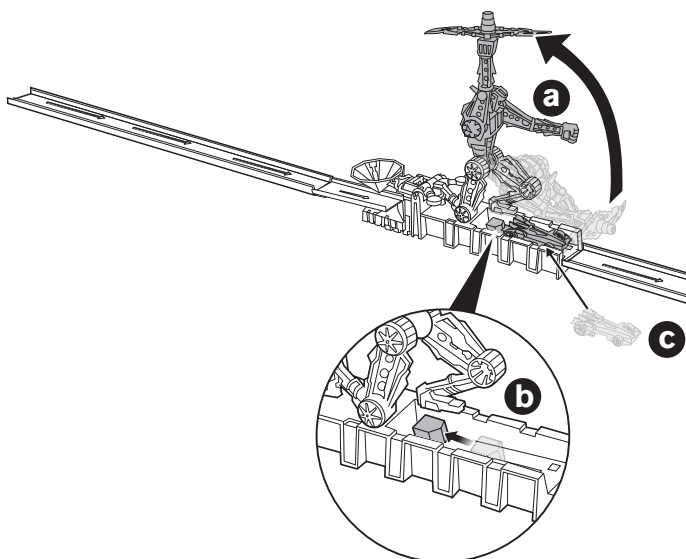
2.



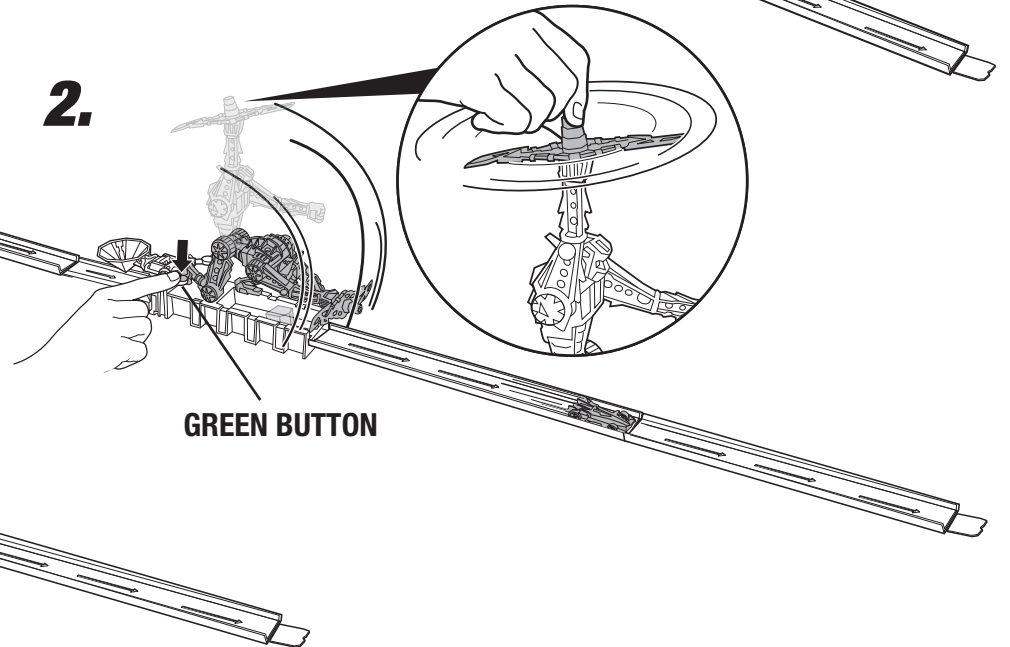
### TO PLAY

**Note: All green buttons are launch buttons.**

1.



2.



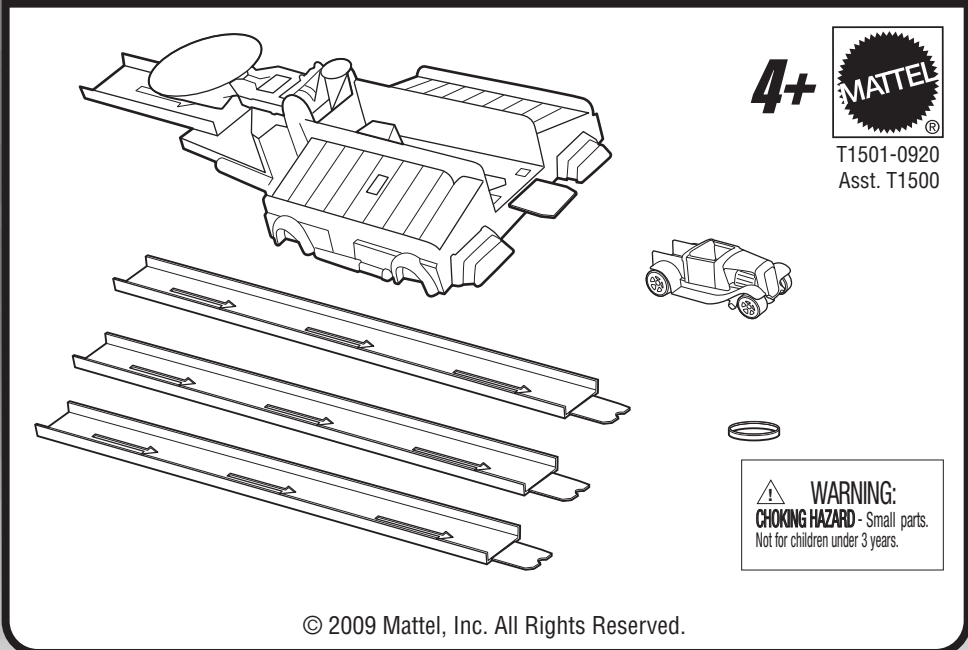
**CONNECTS WITH OTHER TRICK TRACKS SETS.**



# FLIP-LAUNCH™

## INSTRUCTIONS

### CONTENTS

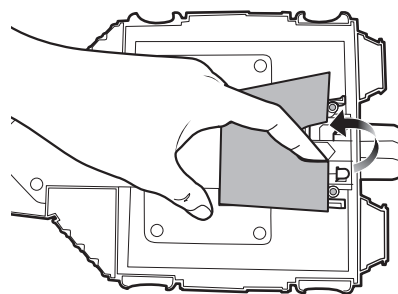


Consumer Relations – Mattel, Inc., 636 Girard Avenue, East Aurora, NY 14052, U.S.A. – 1-800-524-8697.  
service.mattel.com • Mattel Canada Inc., Mississauga, Ontario L5R 3W2. You may call us free at 1-800-524-8697.  
• Mattel U.K. Ltd., Vanwall Business Park, Maidenhead SL6 4UB. Helpline 01628500303 • Mattel Australia Pty., Ltd., Richmond, Victoria. 3121. Consumer Advisory Service - 1300 135 312. • Mattel East Asia Ltd., Room 1106, South Tower, World Finance Centre, Harbour City, Tsimshatsui, HK, China. • Diimport & Diedarkan Oleh: Mattel SEA Ptd Ltd.(993532-P) Lot 13.5, 13th Floor, Menara Lien Hoe, Persiaran Tropicana Golf Country Resort, 47410 P.J. Tel:03-78803817, Fax:03-78803867.

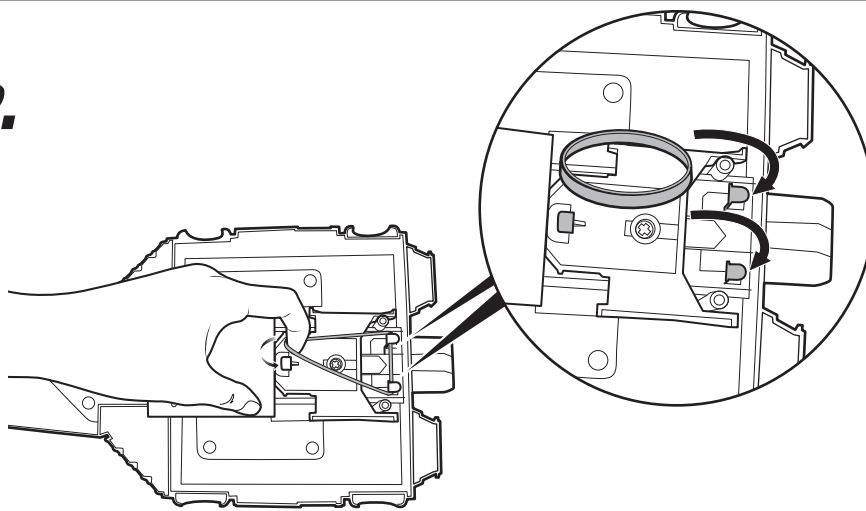
### REPLACE RUBBER BAND

**ADULT SUPERVISION REQUIRED.**

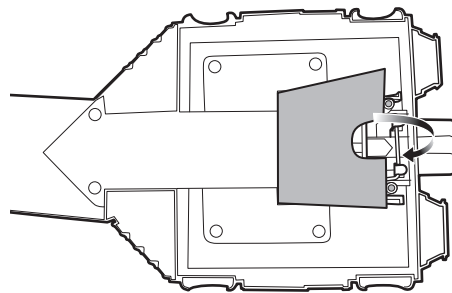
**1.**



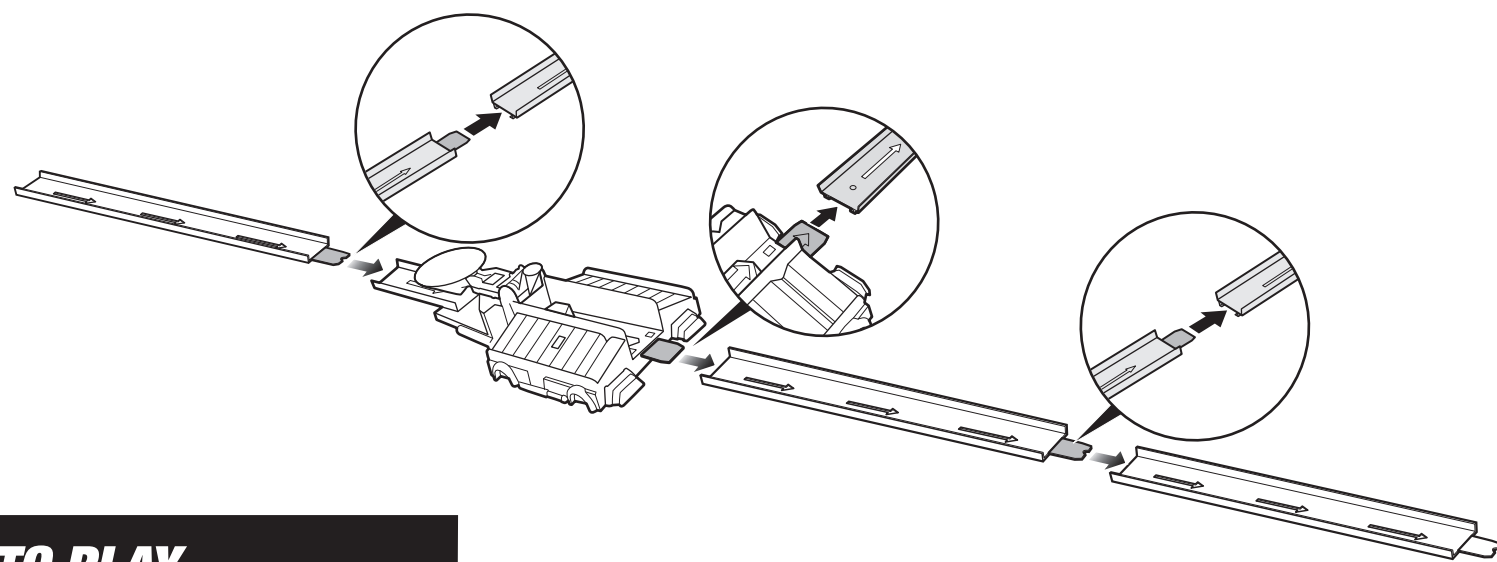
**2.**



**3.**



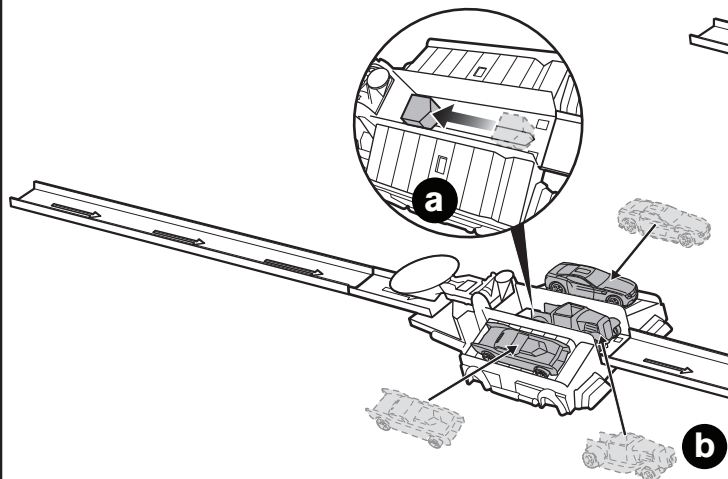
### ASSEMBLY



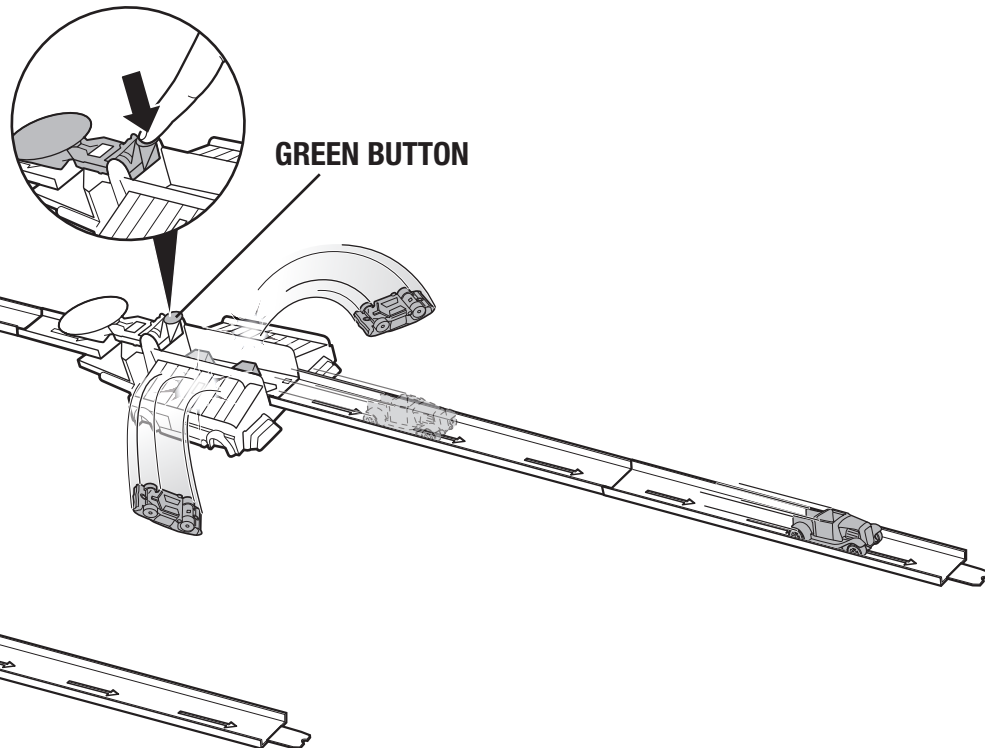
### TO PLAY

**Note: All launch buttons are green.**

**1.**



**2.**



**CONNECTS WITH OTHER TRICK TRACKS SETS.**