



BLAST LAUNCH™

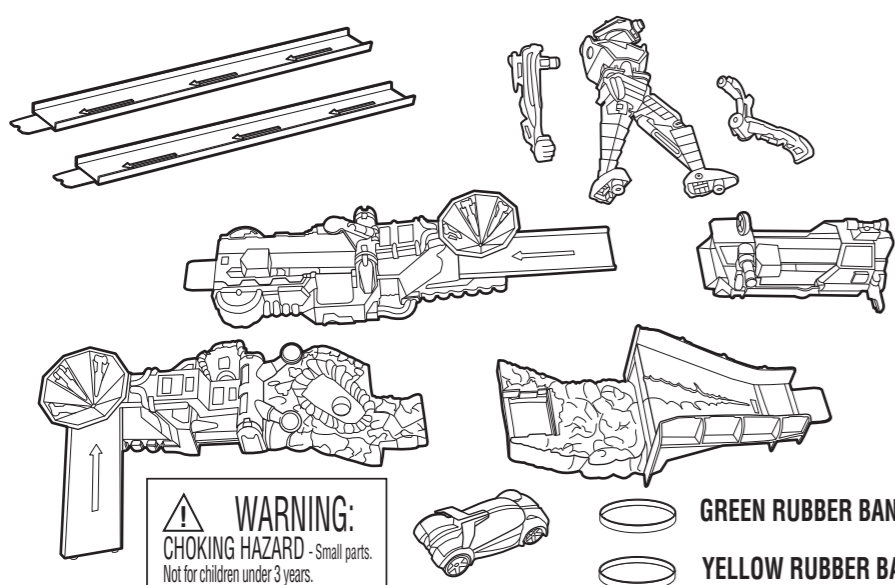
INSTRUCTIONS

4+



ASST. L8954
R1677-0920

CONTENTS



WARNING:
CHOKING HAZARD - Small parts.
Not for children under 3 years.

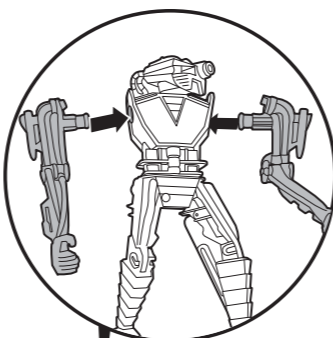
GREEN RUBBER BAND
YELLOW RUBBER BAND

© 2009 Mattel, Inc. All Rights Reserved.

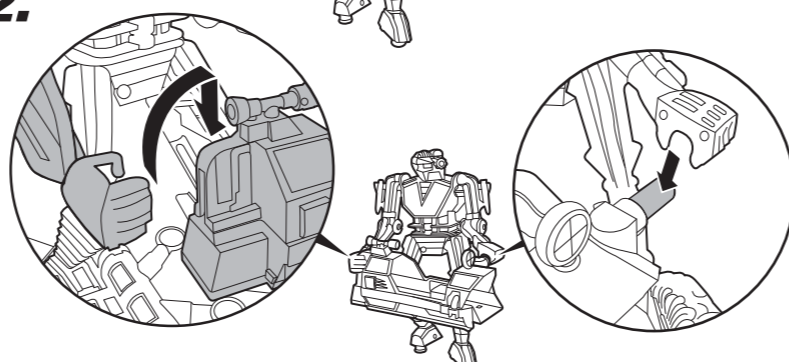
Consumer Relations - Mattel, Inc., 636 Girard Avenue, East Aurora, NY 14052, U.S.A. - 1-800-524-8697.
service.mattel.com • Mattel Canada Inc., Mississauga, Ontario L5R 3W2. You may call us free at 1-800-524-8697.
• Mattel U.K. Ltd., Vanwall Business Park, Maidenhead, SL6 4UB. Helpline 01628500303 • Mattel Australia Pty. Ltd., Richmond, Victoria, 3121 Consumer Advisory Service - 1300 135 312 • Mattel East Asia Ltd., Room 1106, South Tower, World Finance Centre, Harbour City, Tsimshatsui, HK, China. • Diimport & Diedarkan Oleh: Mattel SEA Ptd Ltd.(993532-P) Lot 13.5, 13th Floor, Menara Lien Hoe, Persiaran Tropicana Golf Country Resort, 47410 PJ. Tel:03-78803817, Fax:03-78803867.

ASSEMBLY

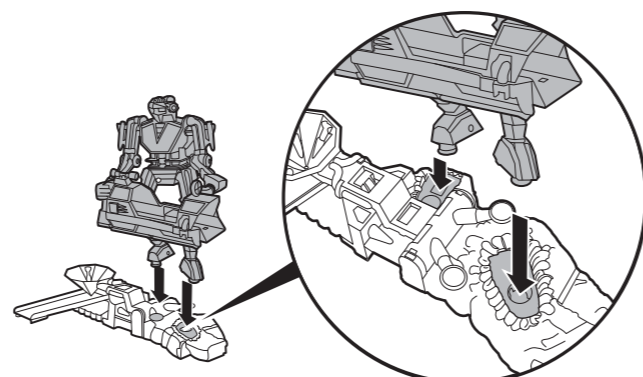
1.



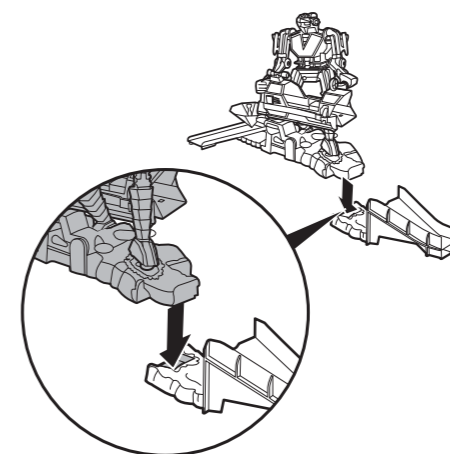
2.



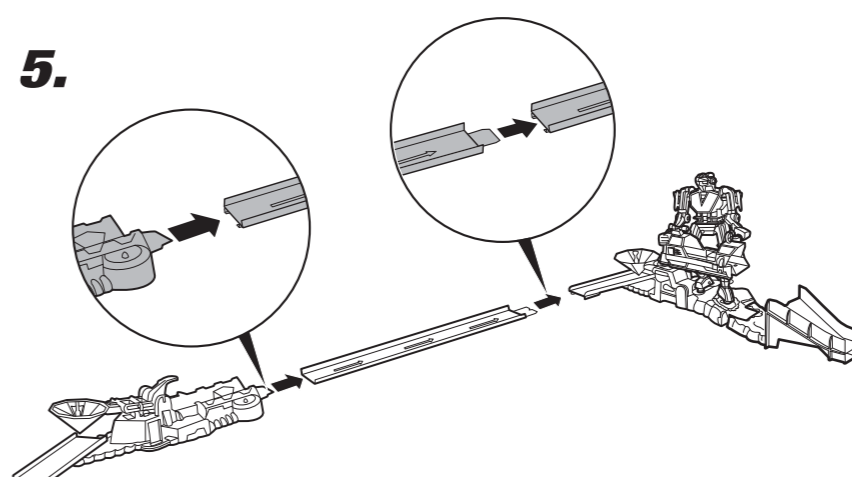
3.



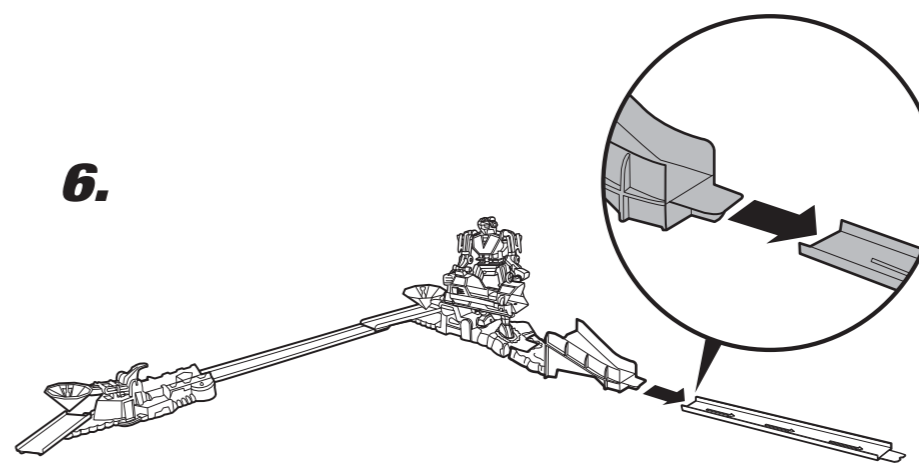
4.



5.



6.



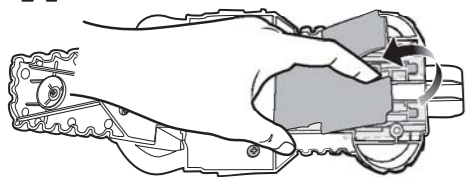
INSTRUCTION SHEET SPECIFICATIONS

Toy No.: R1677(ASST. L8954)
Part No.: 0920
Trim Size: 16.5"W x 8.5"H
Folded Size: 5.5"W x 8.5"H
Type of Fold: accordion
colors: 1C + 1C
Colors: Black
Paper Stock: White Offset
Paper Weight: 80 lb.
EDM No.:

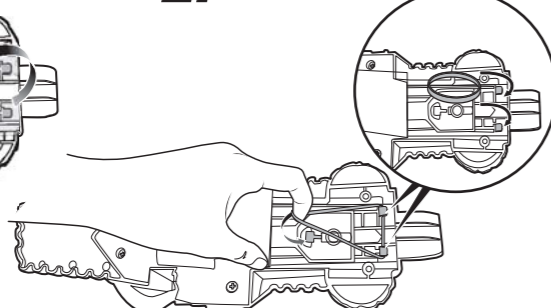
REPLACE YELLOW RUBBER BAND

ADULT SUPERVISION REQUIRED.

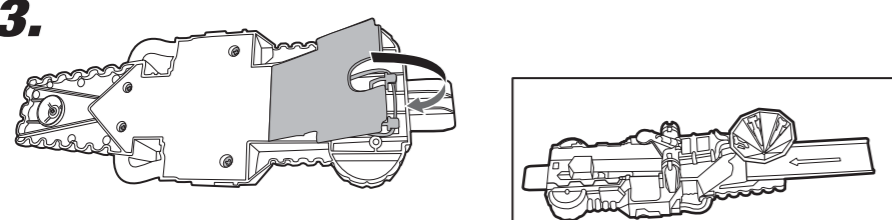
1.



2.



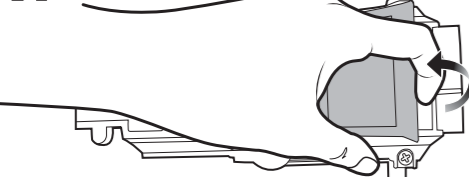
3.



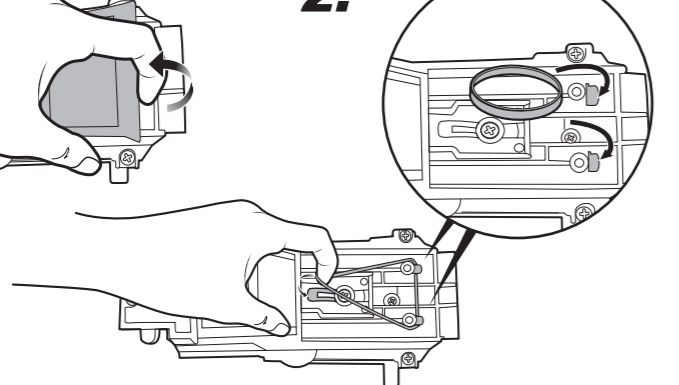
REPLACE GREEN RUBBER BAND

ADULT SUPERVISION REQUIRED.

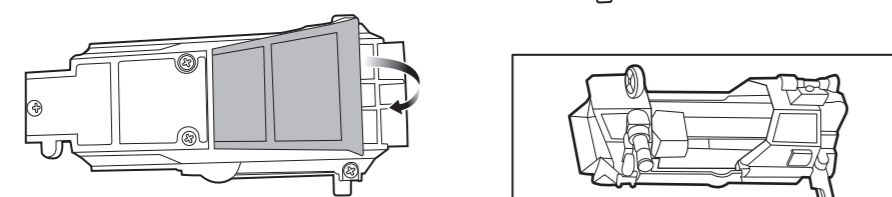
1.



2.



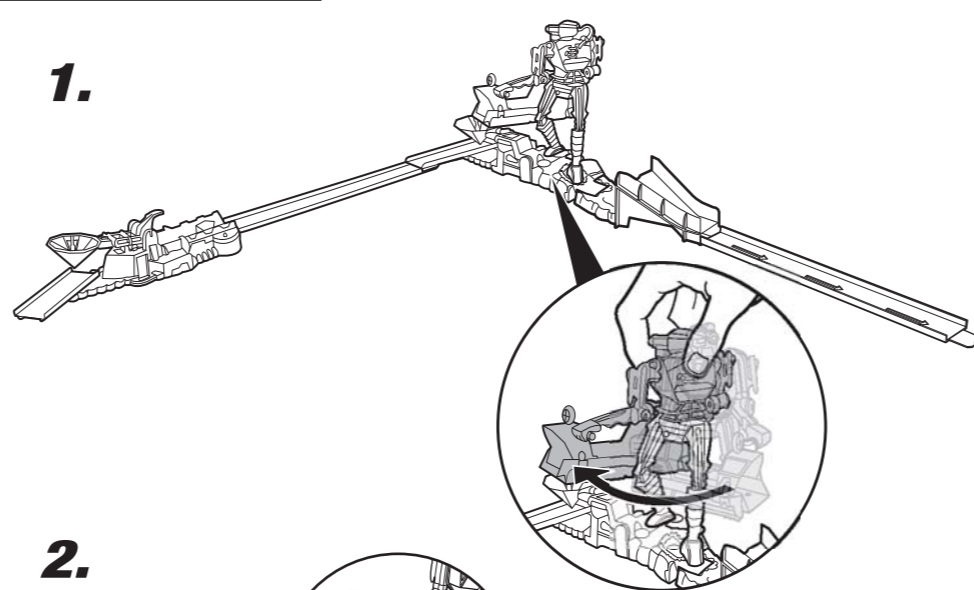
3.



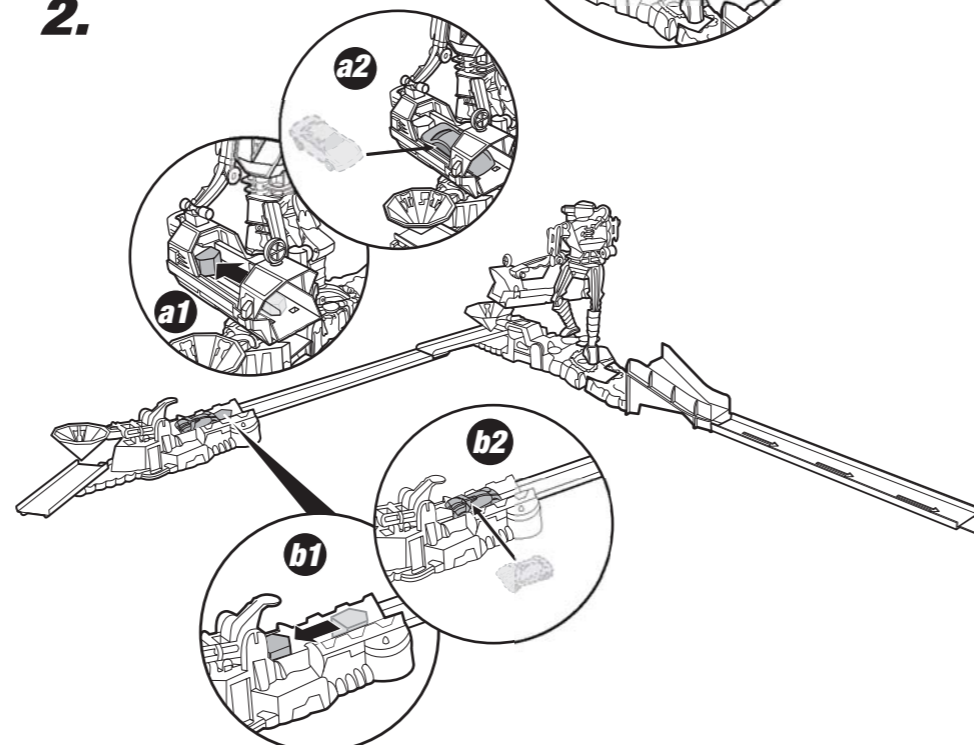
TO PLAY

Note: All green buttons are launch buttons.

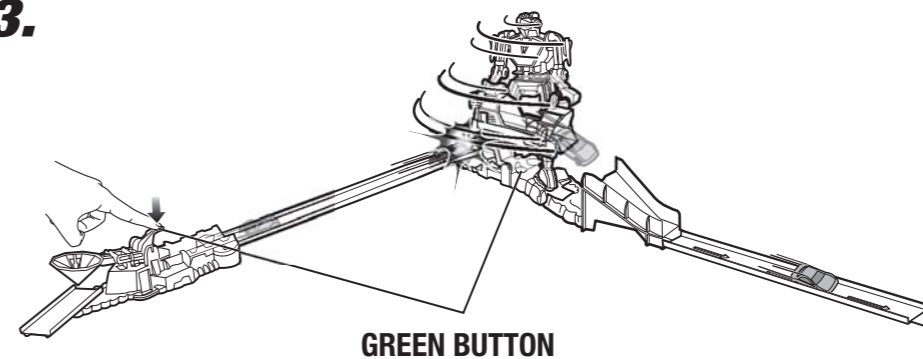
1.



2.

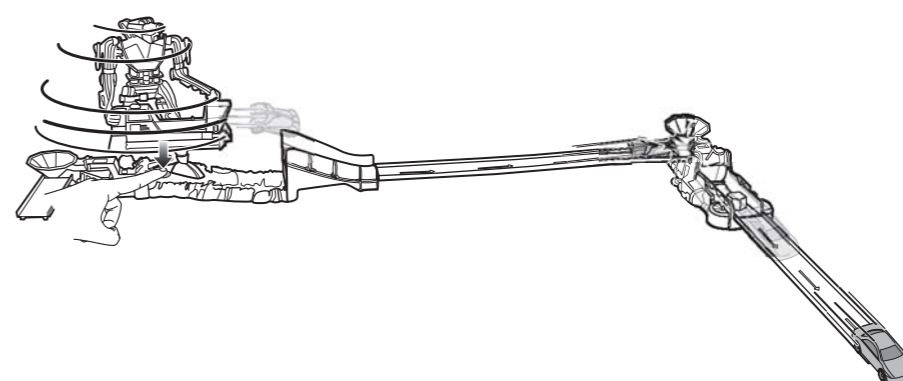


3.



GREEN BUTTON

MORE WAYS TO PLAY



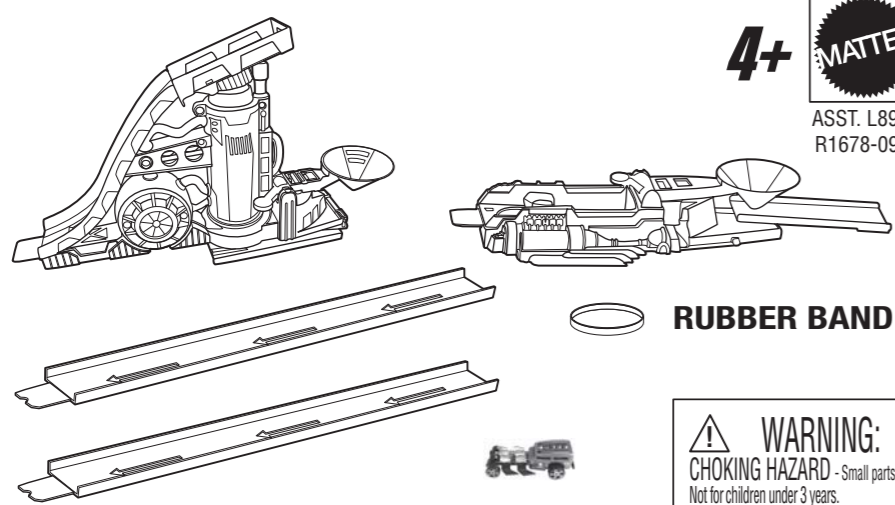
Connects with other Trick Tracks sets.



SHOCK RAMP

INSTRUCTIONS

CONTENTS



4+ ASST. L8954 R1678-0920

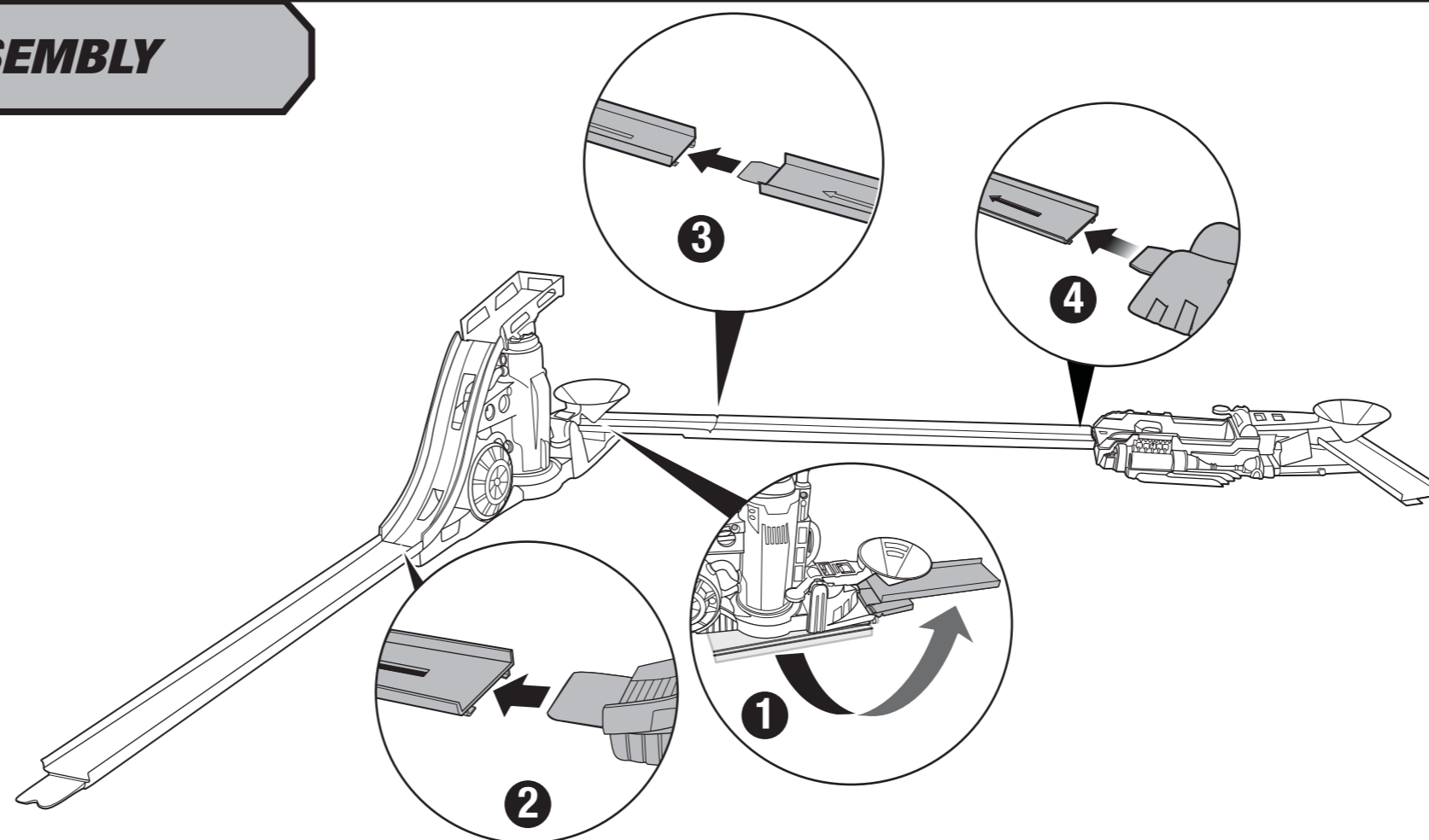
RUBBER BAND

WARNING:
CHOKING HAZARD - Small parts.
Not for children under 3 years.

© 2009 Mattel, Inc. All Rights Reserved.

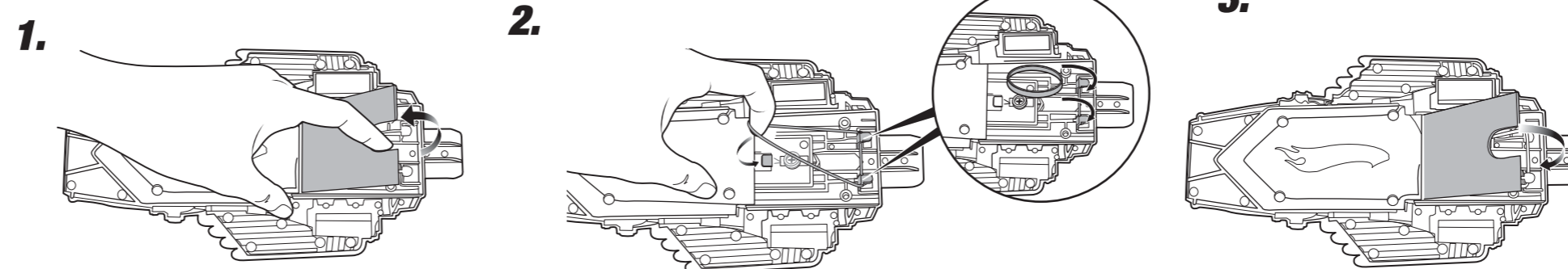
Consumer Relations - Mattel, Inc., 636 Girard Avenue, East Aurora, NY 14052, U.S.A. - 1-800-524-8697.
service.mattel.com • Mattel Canada Inc., Mississauga, Ontario L5R 3W2. You may call us free at 1-800-524-8697.
• Mattel U.K. Ltd., Vanwall Business Park, Maidenhead SL6 4UB, Helpline 01628500303 • Mattel Australia Pty.,
Ltd., Richmond, Victoria, 3121. Consumer Advisory Service - 1300 135 312. • Mattel East Asia Ltd., Room 1106,
South Tower, World Finance Centre, Harbour City, Tsimshatsui, HK, China. • Diimport & Diedarkan Oleh: Mattel
SEA Ptd Ltd. (993532-P) Lot 13.5, 13th Floor, Menara Lien Hoe, Persiaran Tropicana Golf Country Resort, 47410
PJ. Tel: 03-78803817, Fax: 03-78803867.

ASSEMBLY



REPLACE RUBBER BAND

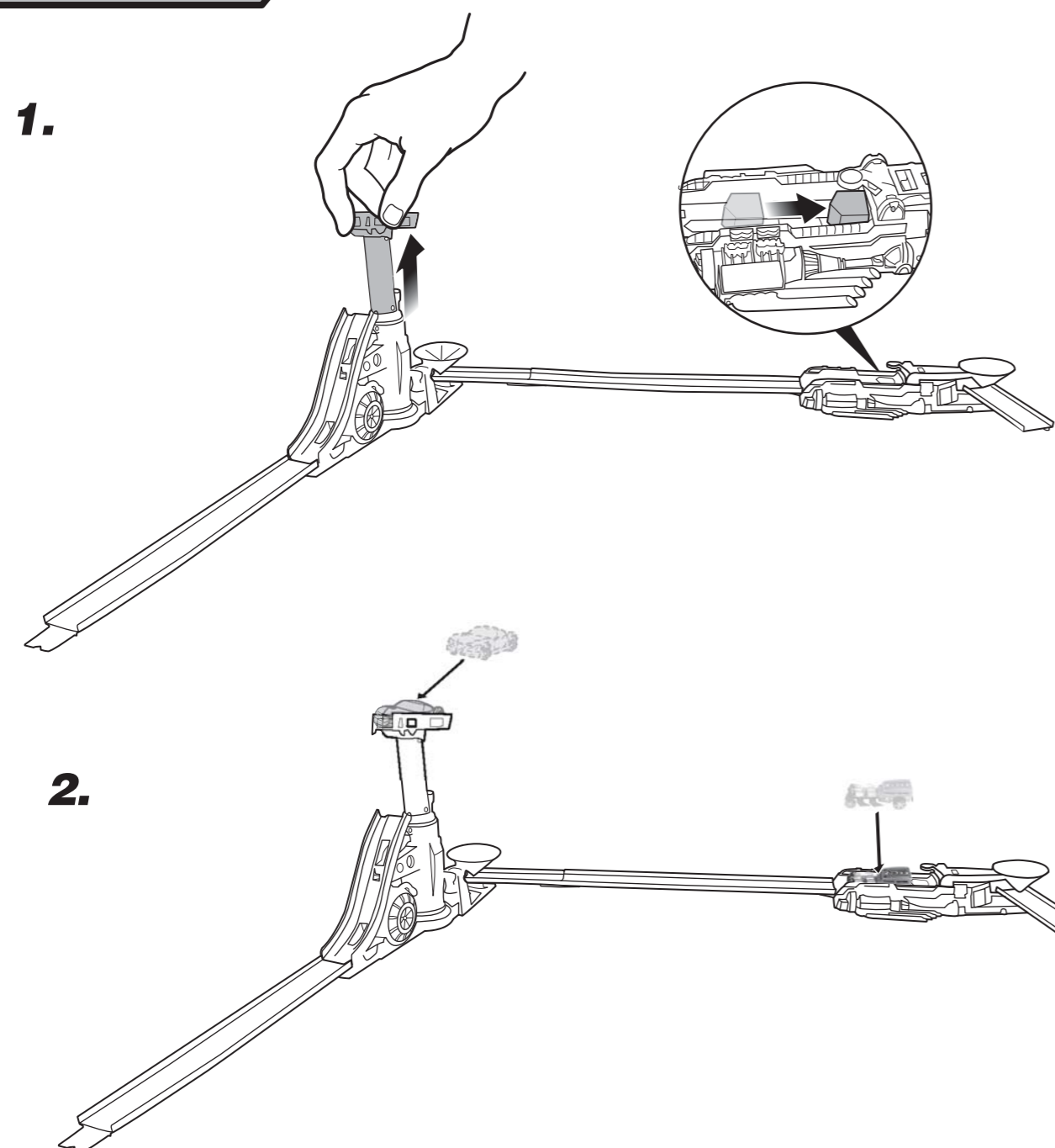
ADULT SUPERVISION REQUIRED.



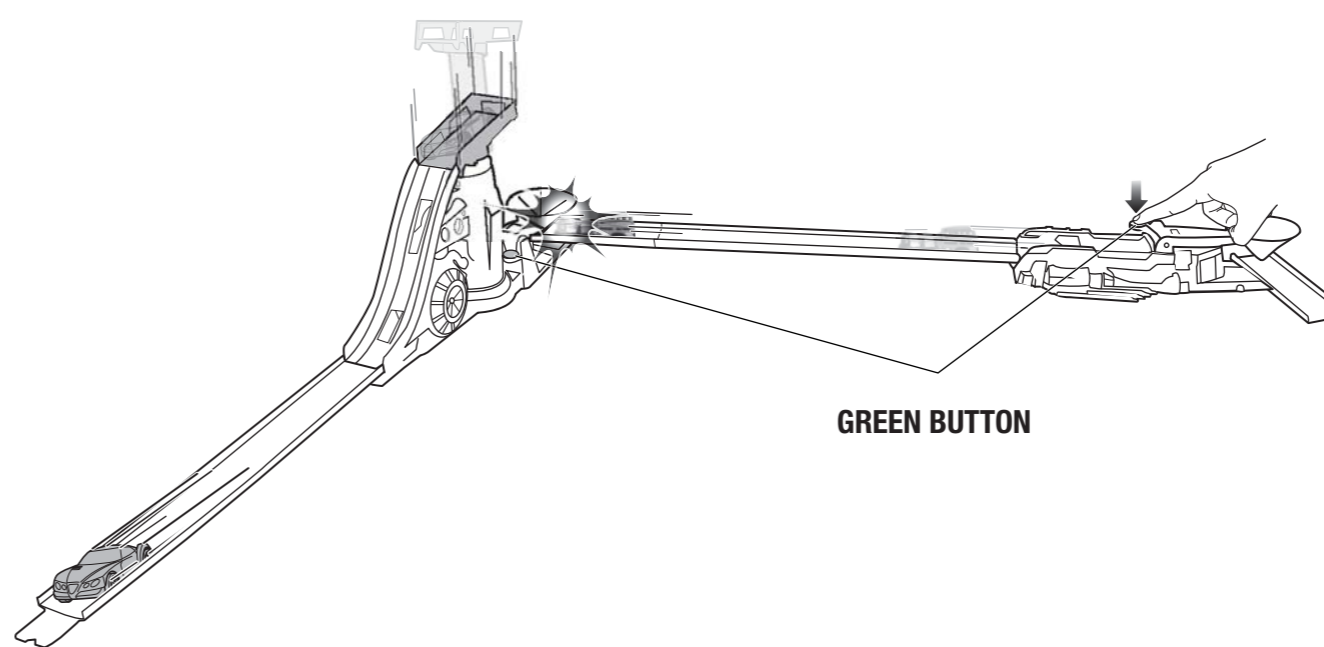
INSTRUCTION SHEET SPECIFICATIONS	
Toy No.:	R1678(ASST. L8954)
Part No.:	0920
Trim Size:	16.5"W x 8.5"H
Folded Size:	5.5"W x 8.5"H
Type of Fold:	accordion
# colors:	1C + 1C
Colors:	Black
Paper Stock:	White Offset
Paper Weight:	80 lb.
EDM No.:	

TO PLAY

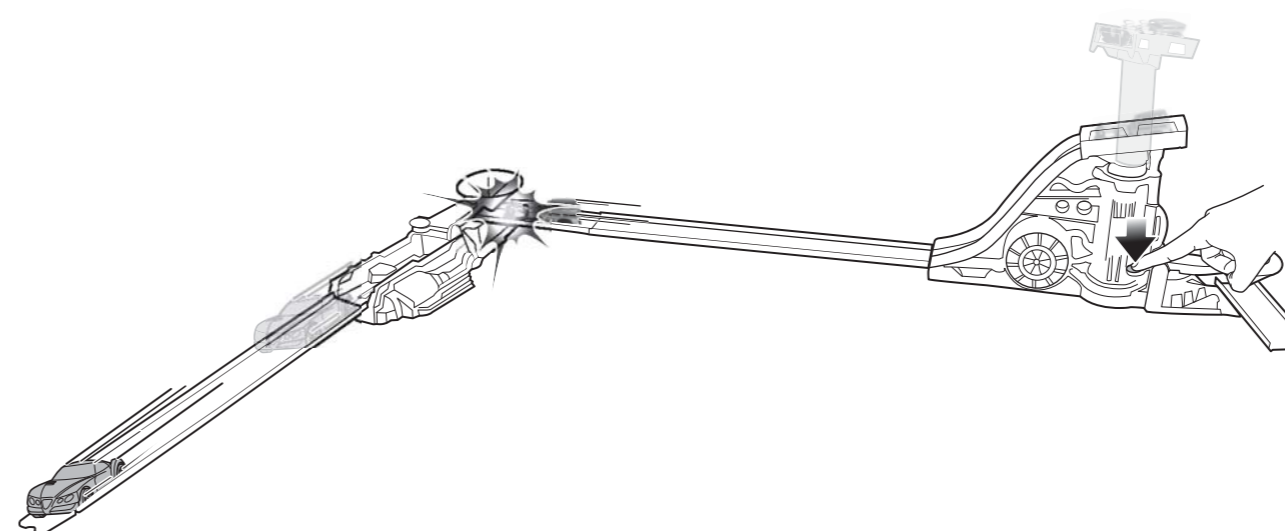
Note: All green buttons are launch buttons.



3.



MORE WAYS TO PLAY



Connects with other Trick Tracks sets.