

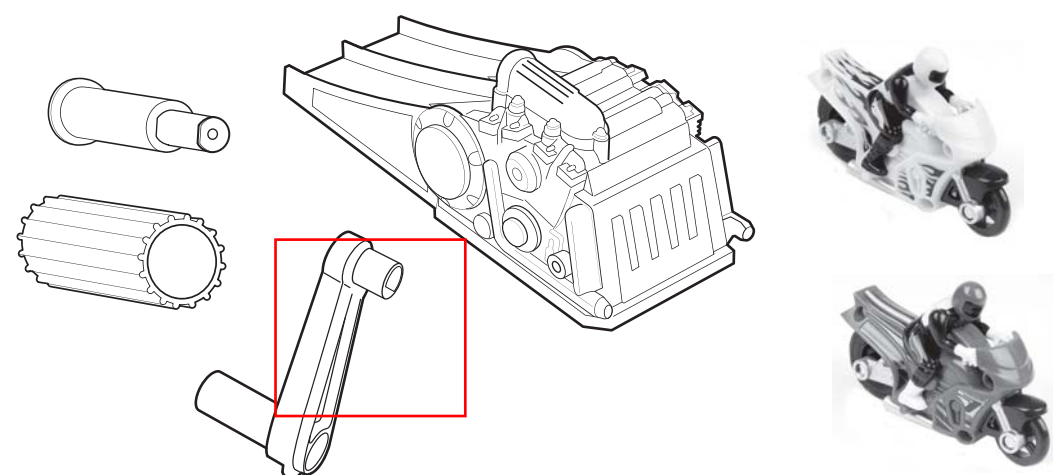


# INSTRUCTIONS

# HYPER-WHEELS®

Please keep these instructions for future reference as they contain important information.  
ADULT ASSEMBLY REQUIRED.

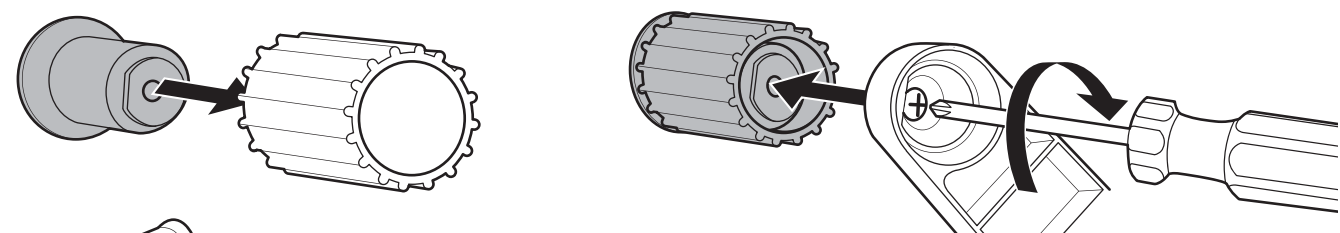
## CONTENTS



**5+**  
MATEL  
R7862-0920  
ASST. 89854

**WARNING:**  
CHOKING HAZARD - Small parts.  
Not for children under 3 years.

## ASSEMBLY

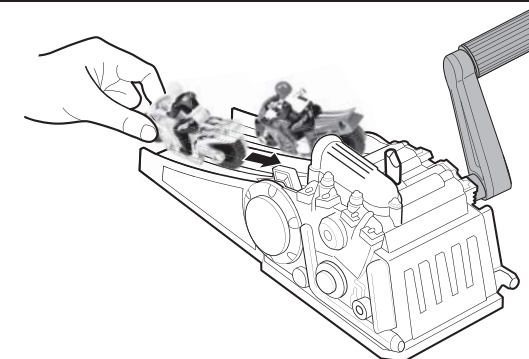


USE PHILLIPS HEAD SCREWDRIVER (NOT INCLUDED) TO ASSEMBLE THE CRANK HANDLE.

CRANK HANDLE

## TO PLAY

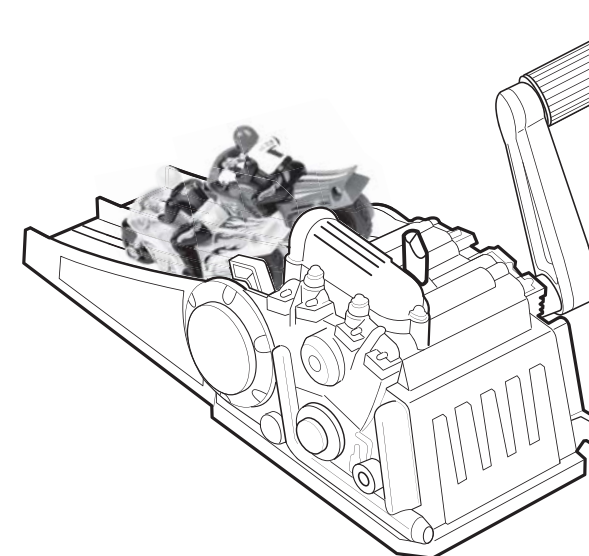
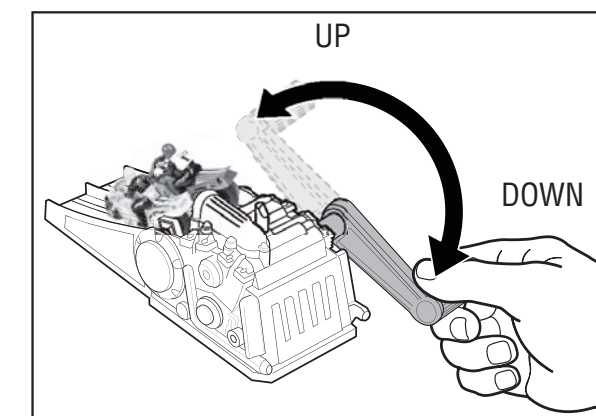
**1** PLACE MOTORCYCLES ON THE RAMP.



NOTE: USE ONLY MOTORCYCLES SUPPLIED TO PLAY WITH THE LAUNCHER.

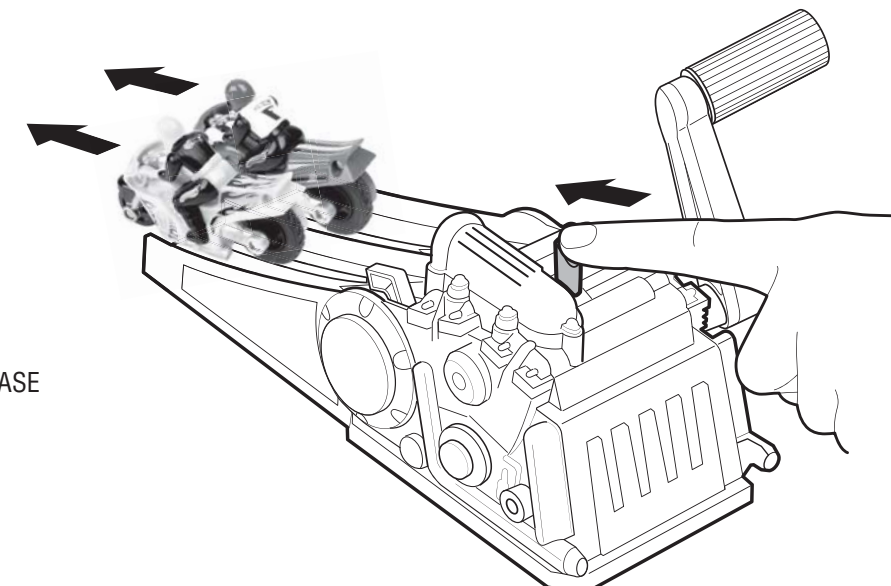
**2**

MOVE THE CRANK HANDLE UP AND DOWN TO WIND UP LAUNCHER.



**3**

PUSH BUTTON FORWARD TO RELEASE MOTORCYCLES.



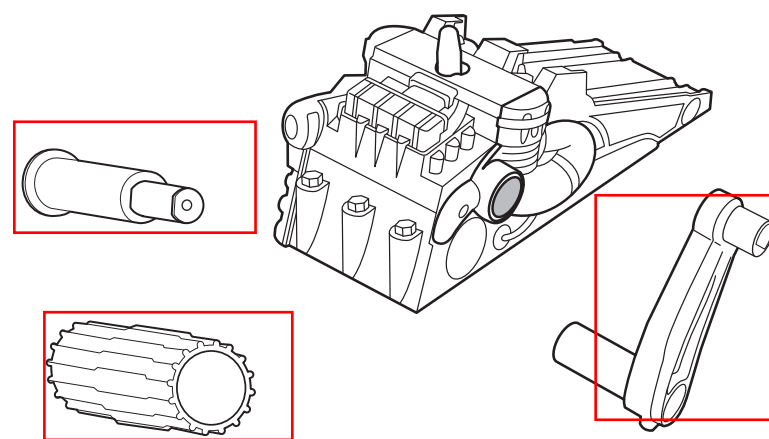


INSTRUCTIONS

**HYPER-WHEELS®**

Please keep these instructions for future reference as they contain important information.  
ADULT ASSEMBLY REQUIRED.

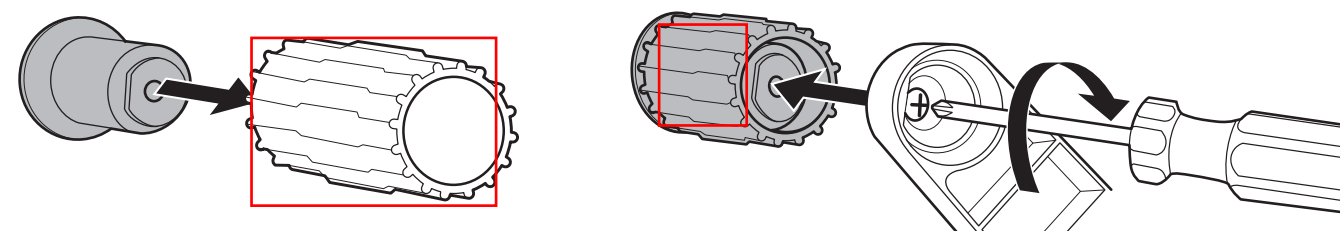
**CONTENTS**



**5+** R7863-0920 ASST. 89854

**WARNING:**  
CHOKING HAZARD - Small parts.  
Not for children under 3 years.

**ASSEMBLY**



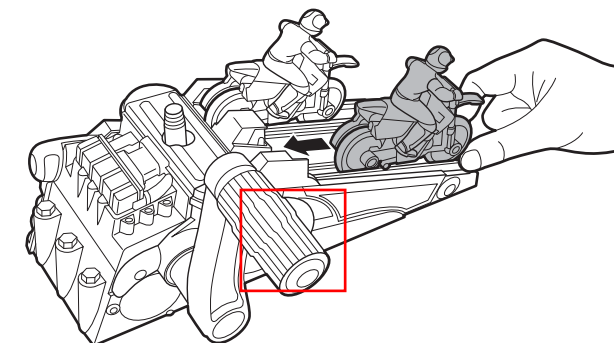
USE PHILLIPS HEAD SCREWDRIVER (NOT INCLUDED) TO ASSEMBLE THE CRANK HANDLE.

CRANK HANDLE

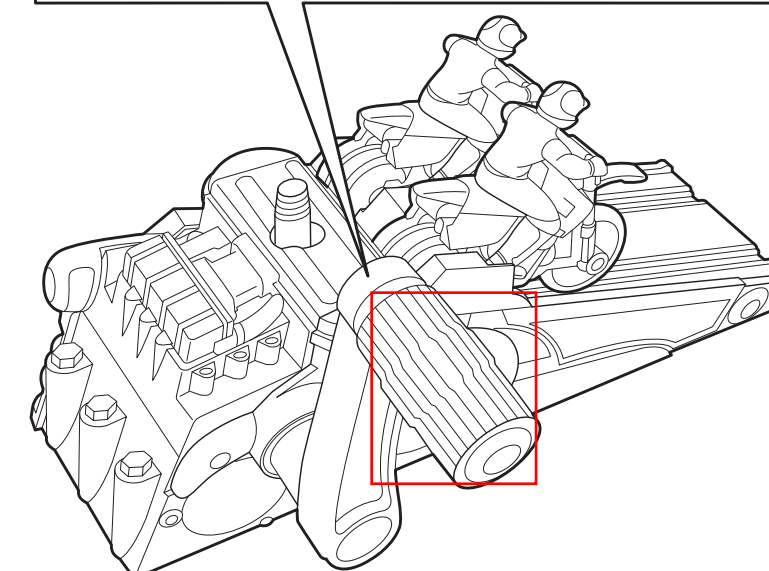
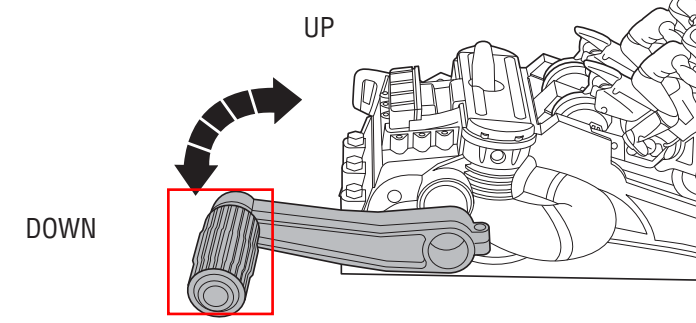
**TO PLAY**

**1** PLACE MOTORCYCLES ON THE RAMP.

NOTE: USE ONLY MOTORCYCLES SUPPLIED TO PLAY WITH THE LAUNCHER.



**2** MOVE THE CRANK HANDLE UP AND DOWN TO WIND UP LAUNCHER.



**3**

PUSH BUTTON FORWARD TO RELEASE MOTORCYCLES.

