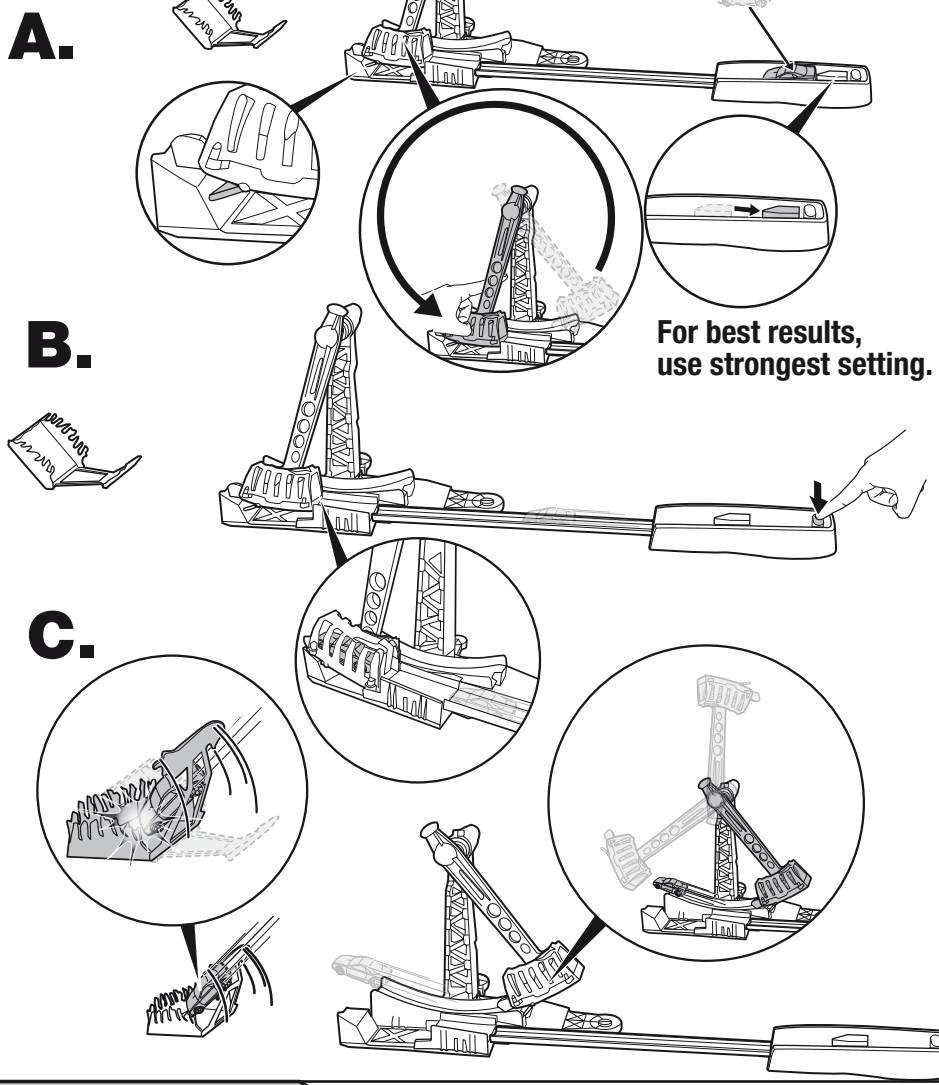
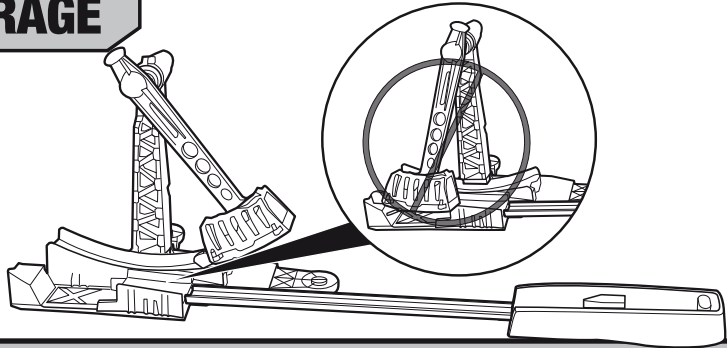


## TO PLAY



## FOR STORAGE



5+

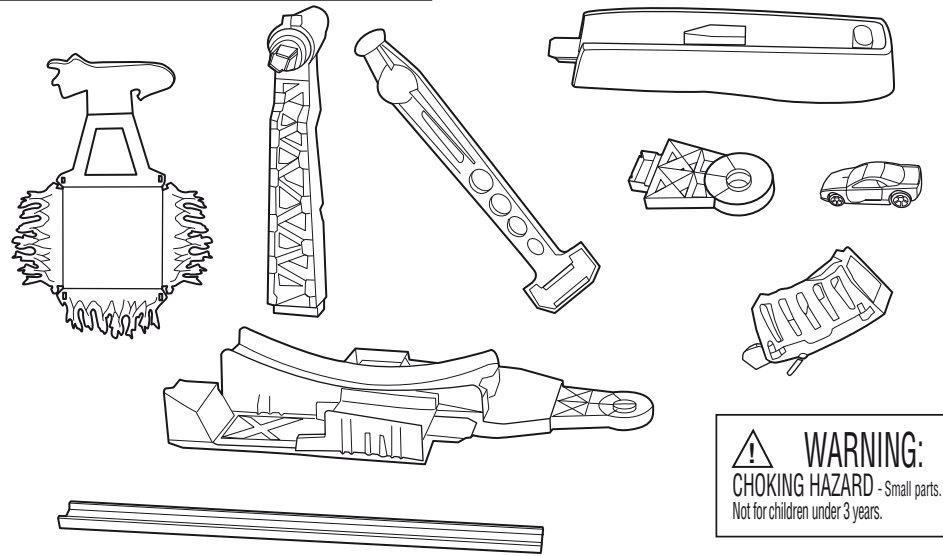


R8941-0920  
Asst. J7963

# VIRTUAL LOOP™

## INSTRUCTIONS

### CONTENTS

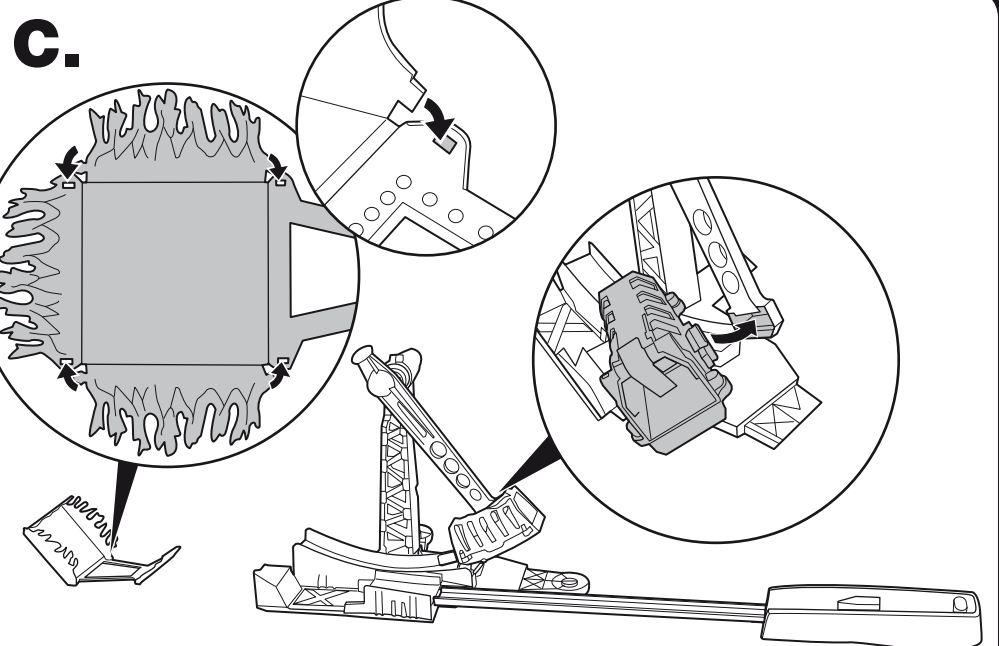
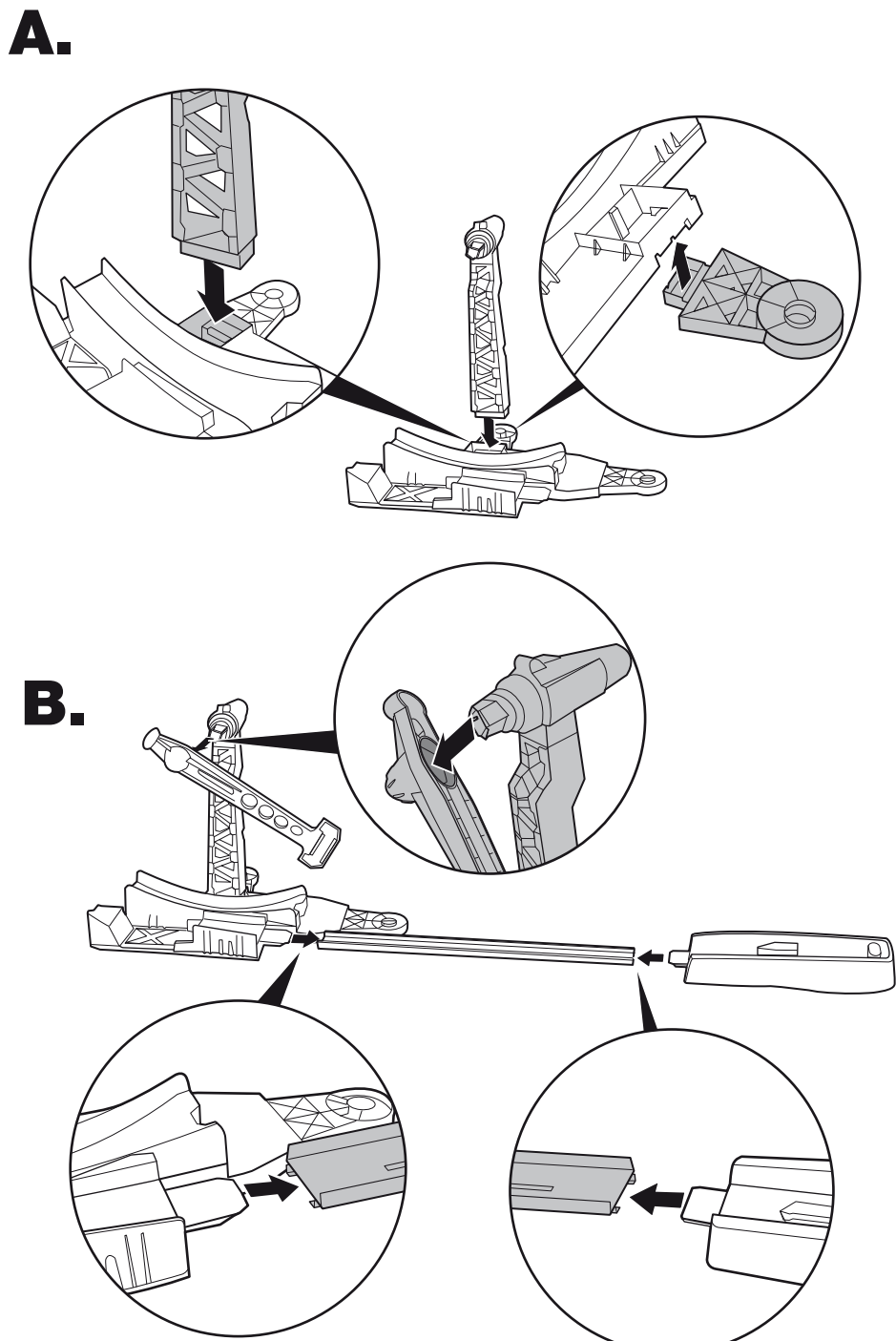


**WARNING:**  
CHOKING HAZARD - Small parts.  
Not for children under 3 years.

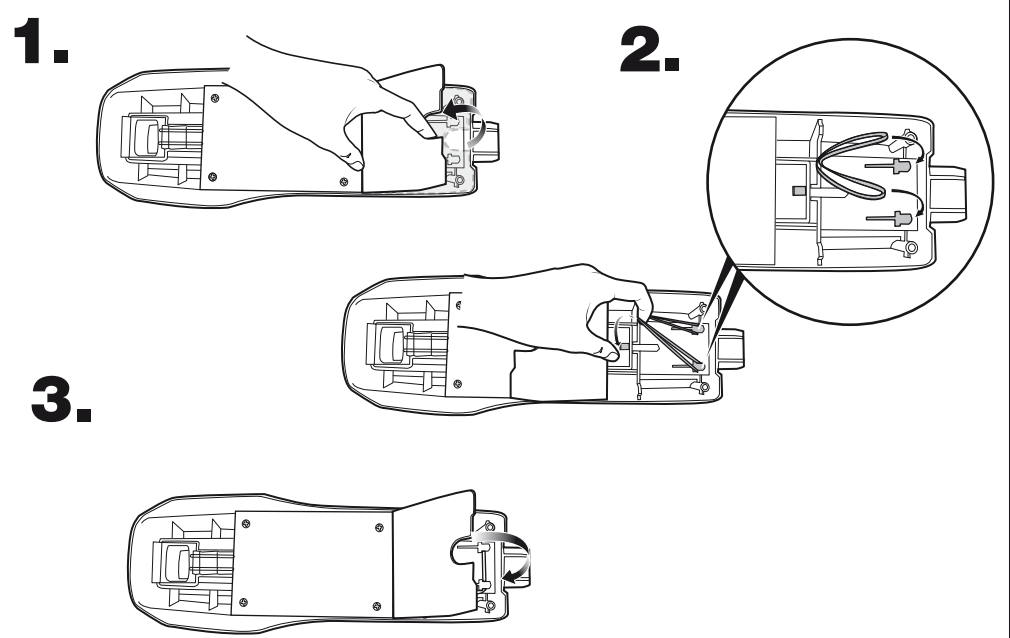
© 2009 Mattel, Inc. All Rights Reserved.

Consumer Relations – Mattel, Inc., 636 Girard Avenue, East Aurora, NY 14052, U.S.A. – 1-800-524-8697. [service.mattel.com](http://service.mattel.com). • Mattel Canada Inc., Mississauga, Ontario L5R 3W2. You may call us free at 1-800-524-8697. • Mattel U.K. Ltd., Vanwall Business Park, Maidenhead SL6 4UB. Helpline 01628500303 • Mattel Australia Pty., Ltd., Richmond, Victoria. 3121. Consumer Advisory Service - 1300 135 312. • Mattel East Asia Ltd., Room 1106, South Tower, World Finance Centre, Harbour City, Tsimshatsui, HK, China. • Diimport & Diedarkan Oleh: Mattel SEA Ptd Ltd.(993532-P) Lot 13.5, 13th Floor, Menara Lien Hoe, Persiaran Tropicana Golf Country Resort, 47410 PJ. Tel:03-78803817, Fax:03-78803867.

## ASSEMBLY

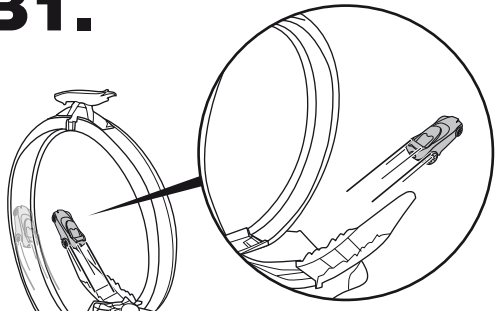


### REPLACE RUBBER BAND ADULT SUPERVISION REQUIRED.

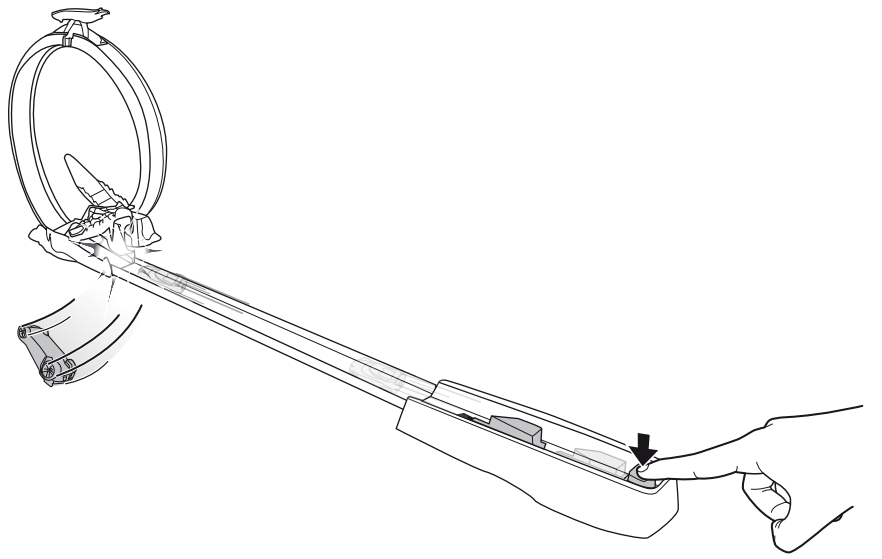


## TO PLAY CONTINUED

**B1.**



**B2.**



5+

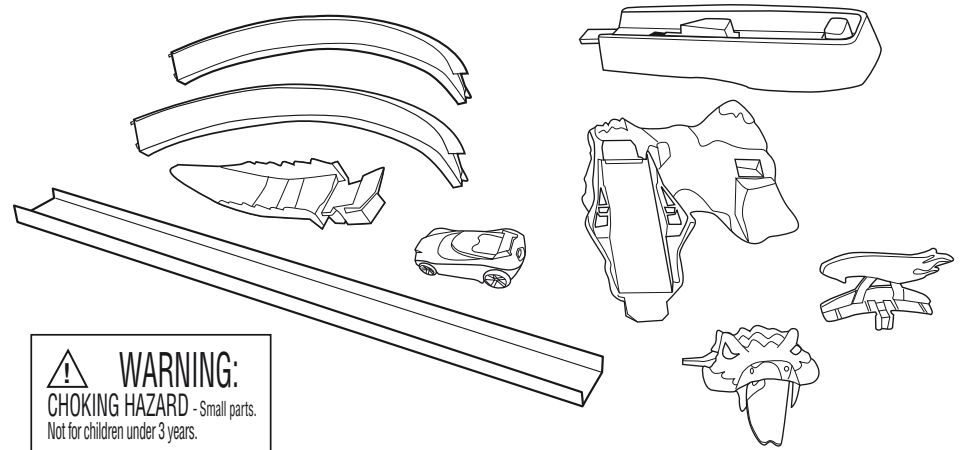


R8942-0920  
Asst. J7963

# RATTLER'S REVENGE™

## INSTRUCTIONS

### CONTENTS



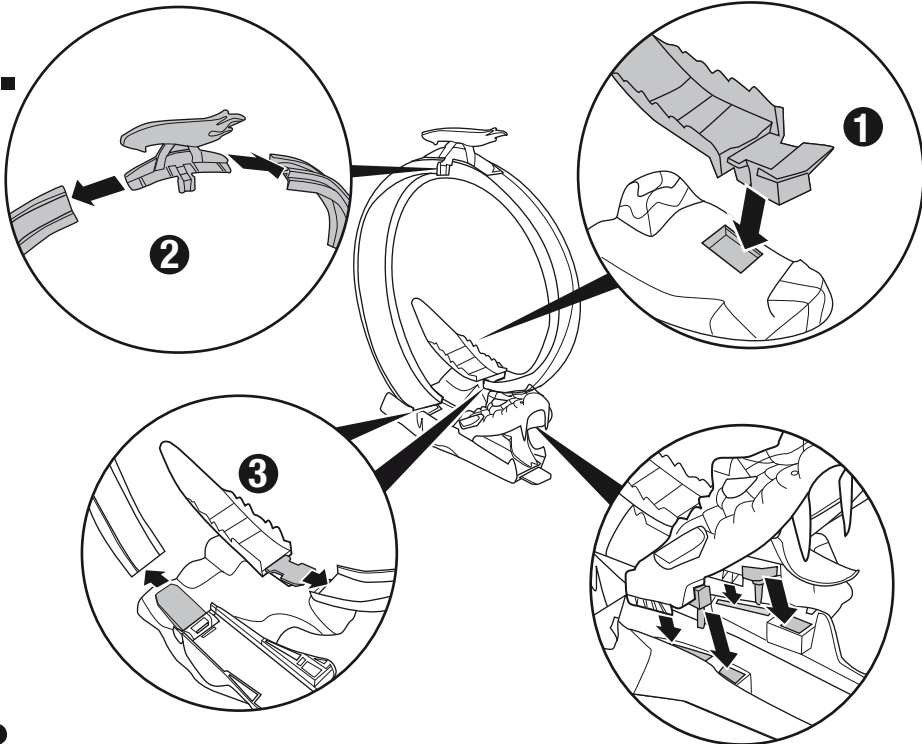
**WARNING:**  
CHOKING HAZARD - Small parts.  
Not for children under 3 years.

© 2009 Mattel, Inc. All Rights Reserved.

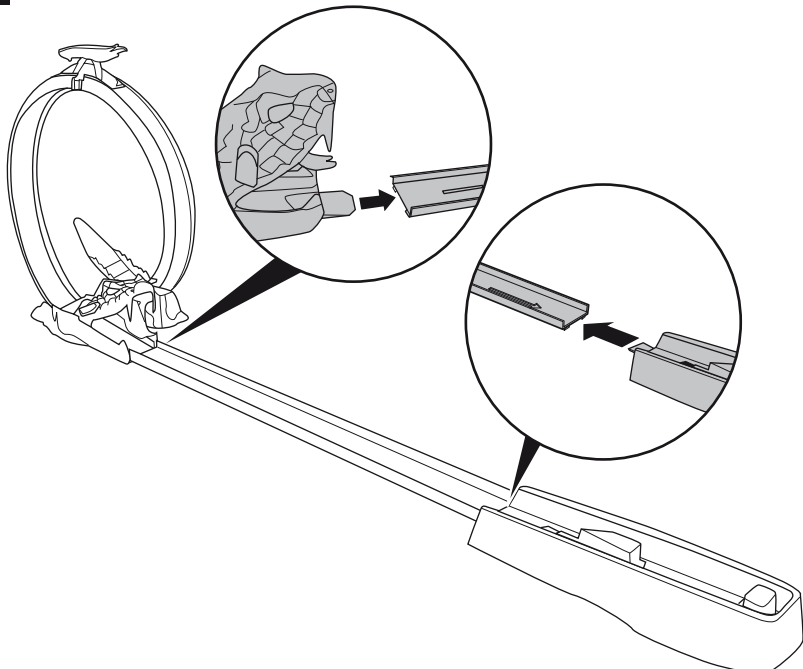
Consumer Relations – Mattel, Inc., 636 Girard Avenue, East Aurora, NY 14052, U.S.A. – 1-800-524-8697. service.mattel.com. • Mattel Canada Inc., Mississauga, Ontario L5R 3W2. You may call us free at 1-800-524-8697. • Mattel U.K. Ltd., Vanwall Business Park, Maidenhead SL6 4UB. Helpline 01628500303 • Mattel Australia Pty., Ltd., Richmond, Victoria. 3121. Consumer Advisory Service - 1300 135 312. • Mattel East Asia Ltd., Room 1106, South Tower, World Finance Centre, Harbour City, Tsimshatsui, HK, China. • Diimport & Diedarkan Oleh: Mattel SEA Ptd Ltd.(993532-P) Lot 13.5, 13th Floor, Menara Lien Hoe, Persiaran Tropicana Golf Country Resort, 47410 PJ. Tel:03-78803817, Fax:03-78803867.

## ASSEMBLY

**A.**

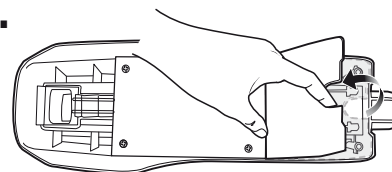


**B.**

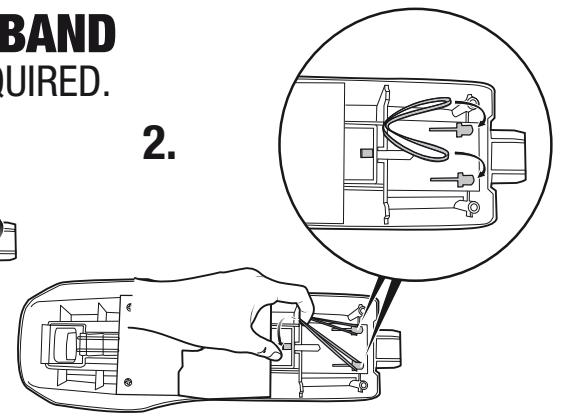


## REPLACE RUBBER BAND ADULT SUPERVISION REQUIRED.

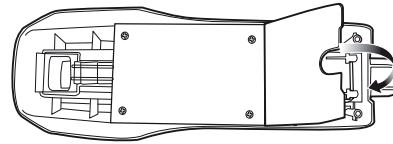
1.



2.

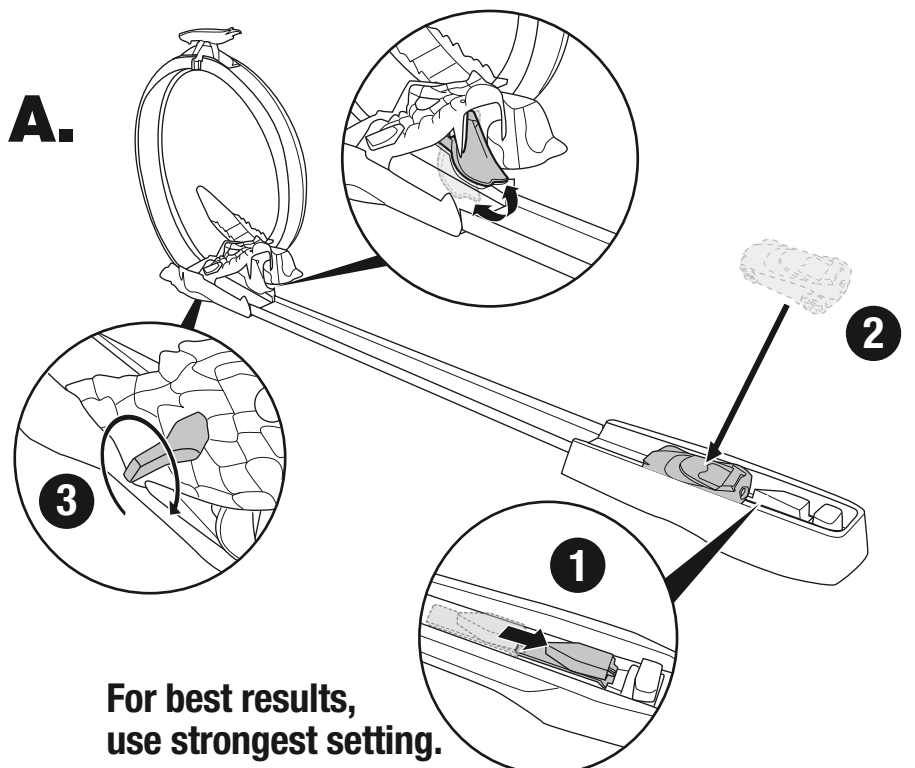


3.



## TO PLAY

**A.**



For best results,  
use strongest setting.