



RESCUE FROM MISTY ISLAND

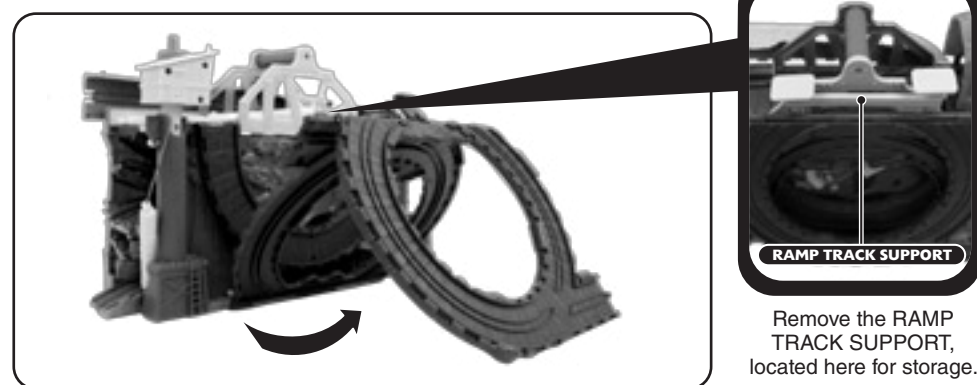
2-sided Fold-out Playset

INSTRUCTIONS

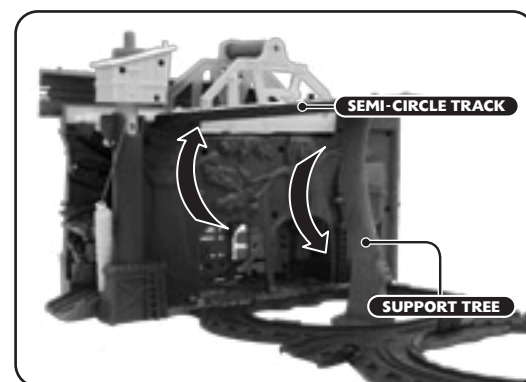
Please keep these instructions for future reference as they contain important information.

MISTY ISLAND SIDE

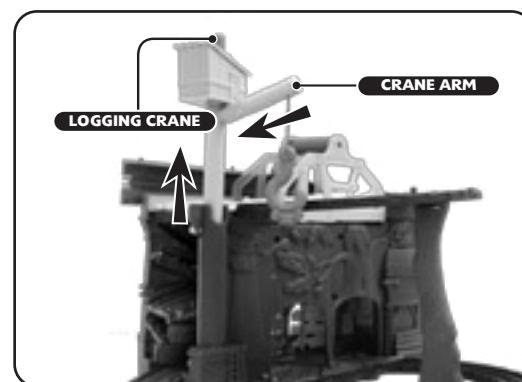
1. Fold down the figure-8 track from the side of the playset.



2. Lift the upper semi-circle track upward and unfold the support tree.

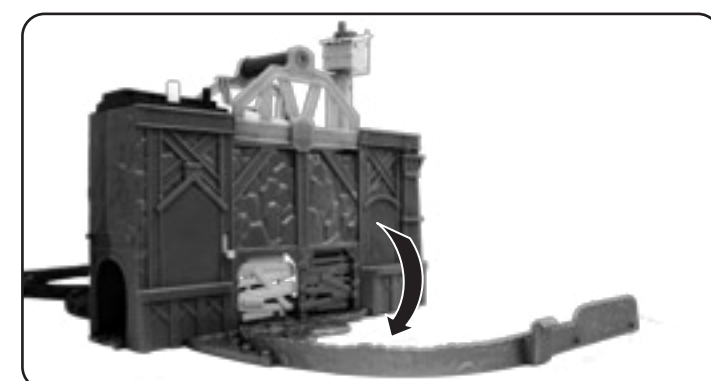


3. Lift the logging crane tower and insert the crane arm into the side of the tower.

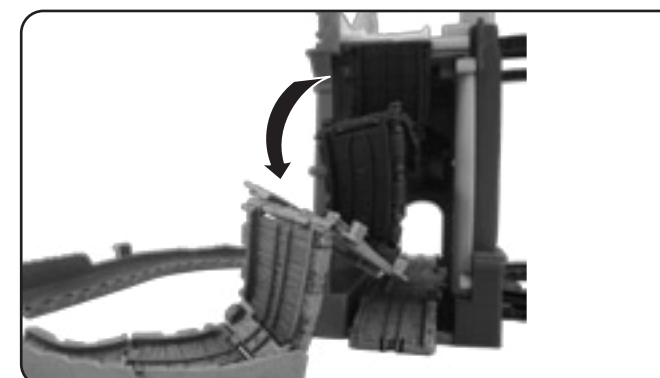


ISLAND OF SODOR SIDE

1. Fold down the semi-circle track from the side of the playset.



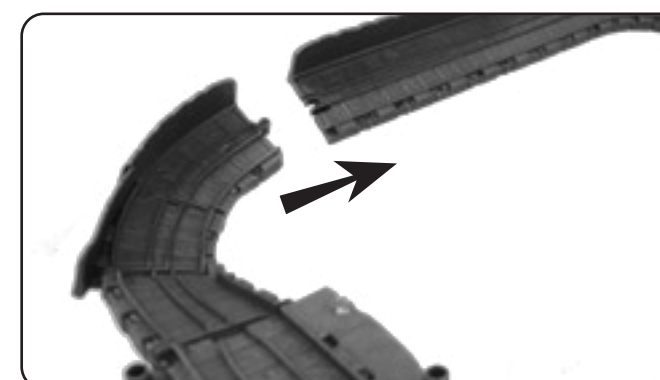
2. Remove and unfold the ramp track from the compartment found inside the playset.



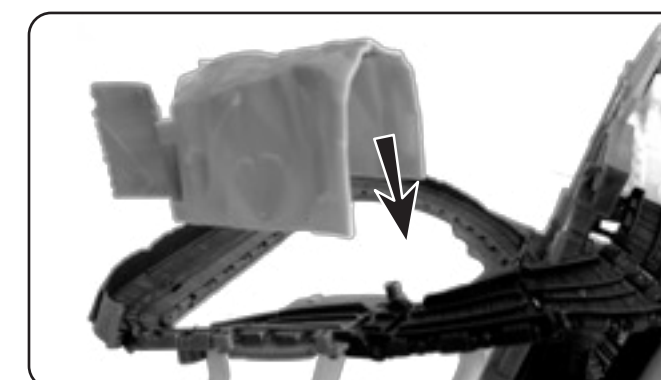
3. Attach the ramp track support to the bottom of the ramp track.



4. Attach the end of the ramp track to the semi-circle track.



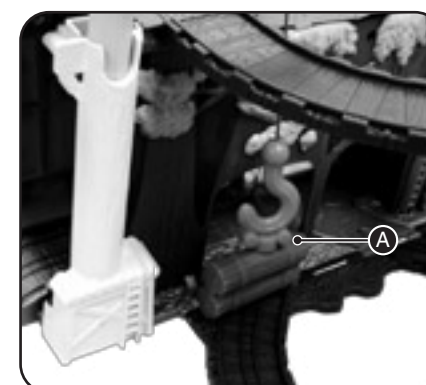
5. Remove the small tunnel from the 2 storage pegs found on the top of the playset and attach it to the ramp track.



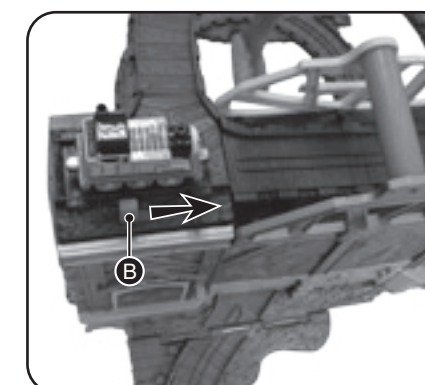
NOTE: To fold for storage, simply repeat the above steps in reverse order.

HOW TO PLAY

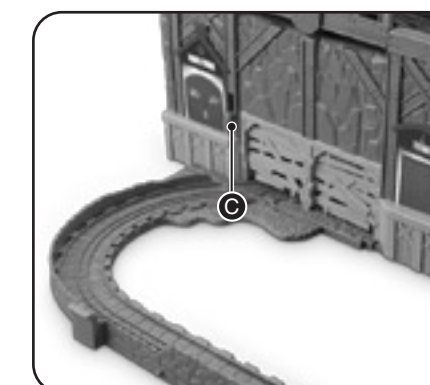
- A Place the logs onto the grooves located at the opening of the tunnel on Misty Island. Use the crane to remove the logs.



- B Place Thomas on the platform located on the top of the playset at the entrance to Shake Shake Bridge. Slide the lever to release Thomas and activate Shake Shake Bridge.



- C Slide the lever UP to reveal the hidden tunnel!



Thomas the Tank Engine & Friends™

CREATED BY BRIT ALLCROFT

Based on the Railway Series by The Reverend W Awdry.
© 2010 Gullane (Thomas) Limited. Thomas the Tank Engine & Friends and Thomas & Friends are trademarks of Gullane (Thomas) Limited.
© HIT Entertainment Limited. HIT and the HIT logo are trademarks of HIT Entertainment Limited.
Fisher-Price, Inc. a subsidiary of Mattel, Inc., East Aurora, NY 14052 U.S.A.
PRINTED IN CHINA. Manufactured for Fisher-Price.
© 2010 Mattel, Inc. All Rights Reserved.
© and ™ designate U.S. trademarks of Mattel, Inc., unless otherwise indicated.
Mattel East Asia Ltd., Room 1106, South Tower, World Finance Centre, Harbour City, Tsimshatsui, HK, China.

CONSUMER ASSISTANCE
1-800-430-5437 (US & Canada)
1-800-135-912 (Australia)
service.fisher-price.com

Fisher-Price, Inc. 638 Grant Avenue, East Aurora, NY 14052.
Hearing-impaired consumer: 1-800-382-7476.
Outside the United States:
Canada: Mattel Canada Inc., 6155 Freemont Blvd., Mississauga, Ontario L5R 3N2, www.kennermattel.com.
Great Britain: Mattel UK Ltd, Vauxhall Business Park, Maidenhead SL6 4UL, telephone: 01628 500303, www.kennermattel.com/uk
Mattel Europe, B.V., Gordon 1, 1186 MJ Amstelveen, Nederland.
Australia: Mattel Australia Pty. Ltd., 608 Church Street, Locked Bag #670, Richmond, Victoria 3121, Australia.
New Zealand: 15-18 William Pickering Drive, Mōry 1331, Auckland.



R9623

Item No : R9255-0920-G2
Version : EL
Size : A4
Paper : Woodfree paper 80 gsm
Color : Black
Date : Jun 29, 2010 (LW)