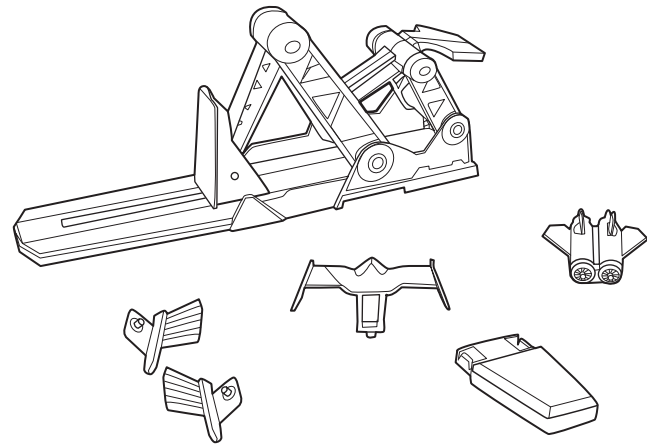




# LAUNCHER

## INSTRUCTIONS

### CONTENTS



4+



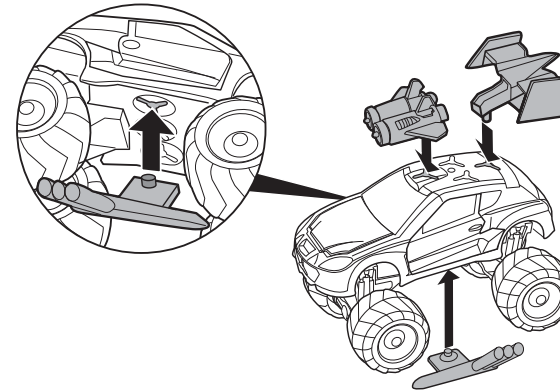
T0232-0920

**WARNING:**  
CHOKING HAZARD - Small parts.  
Not for children under 3 years.

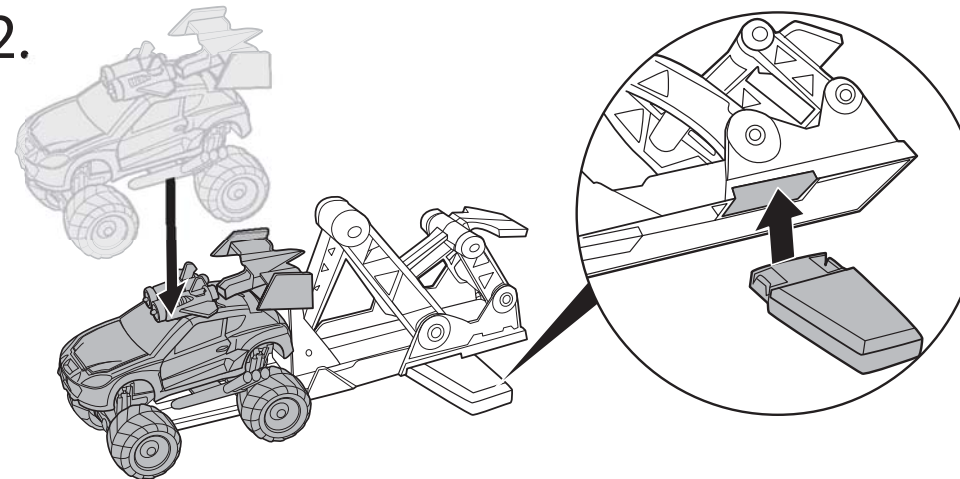
© 2009 Mattel, Inc. All Rights Reserved. Consumer Relations – Mattel, Inc., 636 Girard Avenue, East Aurora, NY 14052, U.S.A. – 1-800-524-8697. service.mattel.com. • Mattel Canada Inc., Mississauga, Ontario L5R 3W2. You may call us free at 1-800-524-8697. • Mattel U.K. Ltd., Vanwall Business Park, Maidenhead SL6 4UB. Helpline 01628500303 • Mattel Australia Pty., Ltd., Richmond, Victoria. 3121. Consumer Advisory Service - 1300 135 312. • Mattel East Asia Ltd., Room 1106, South Tower, World Finance Centre, Harbour City, Tsimshatsui, HK, China. • Diimport & Diedarkan Oleh: Mattel SEA Ptd Ltd.(993532-P) Lot 13.5, 13th Floor, Menara Lien Hoe, Persiaran Tropicana Golf Country Resort, 47410 PJ. Tel:03-78803817, Fax:03-78803867.

### TO PLAY

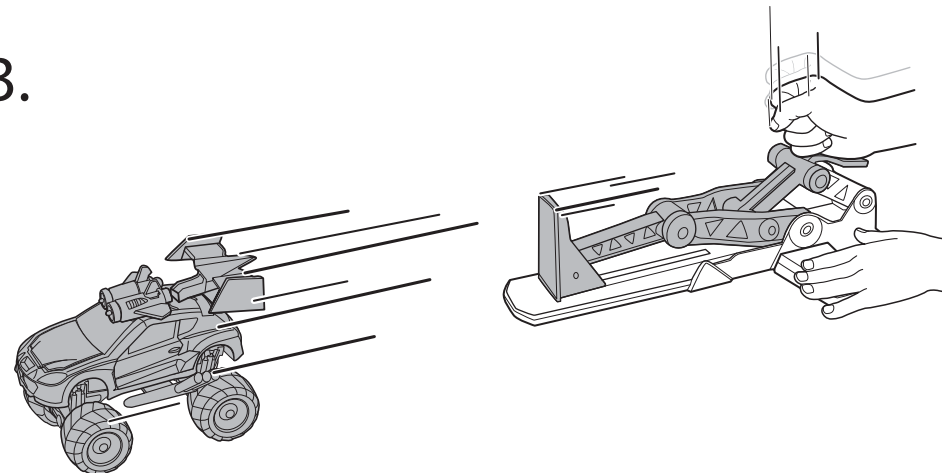
1.



2.



3.



### INSTRUCTION SHEET SPECIFICATIONS

Toy: HW CM Launcher  
 Toy No.: T0232  
 Part No.: 0920  
 Trim Size: A5  
 Folded Size: \_\_\_\_\_  
 Type of Fold: \_\_\_\_\_  
 # colors: One  
 Colors: Black  
 Paper Stock: White Offset  
 Paper Weight: 70 lb.  
 EDM No.: \_\_\_\_\_