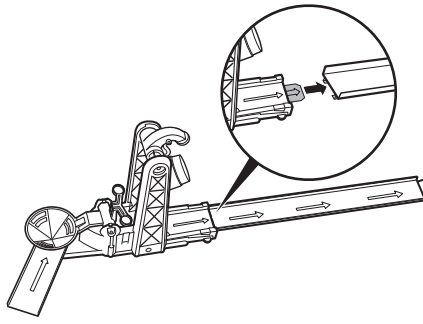
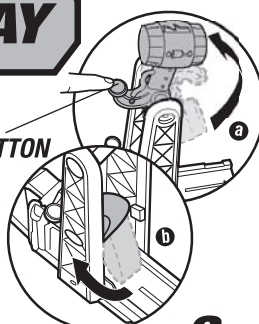
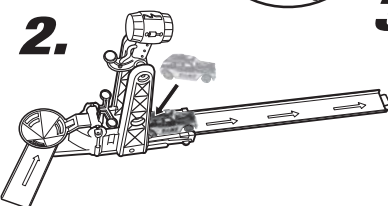
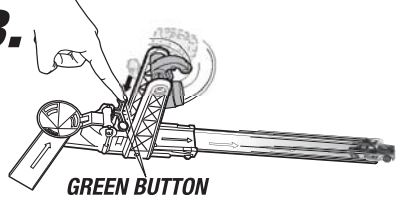


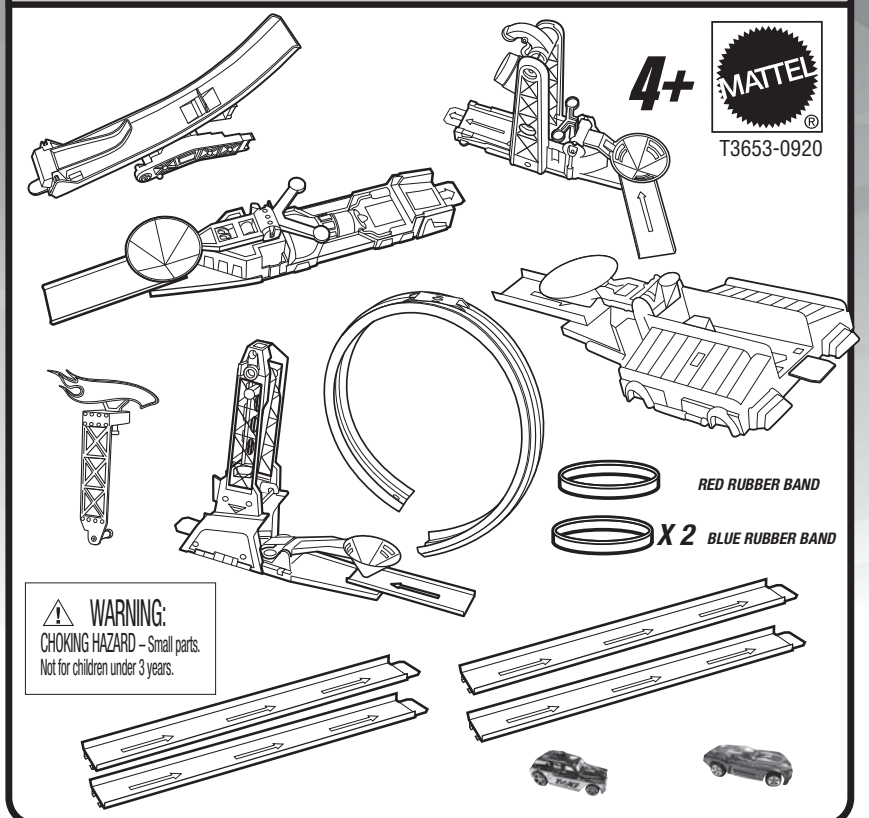
ASSEMBLY	TO PLAY
	<p>1. RED BUTTON</p>  <p>2.</p>  <p>3. GREEN BUTTON</p> 

HOT WHEELS **TRICK TRACKS**

JUMBO STUNT COMBO

INSTRUCTIONS

CONTENTS



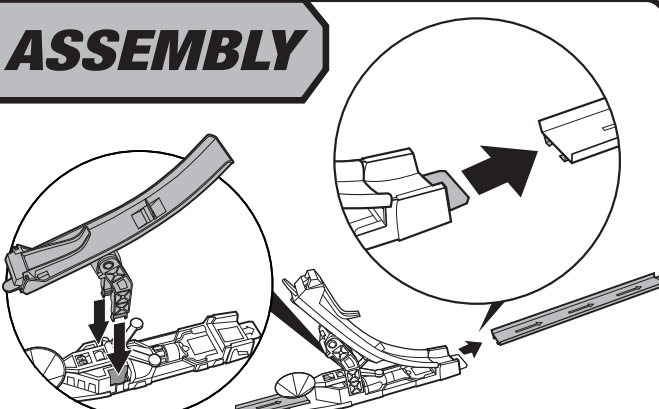
© 2010 Mattel, Inc. All Rights Reserved. Mattel, Inc. 636 Girard Avenue, East Aurora, NY 14052, U.S.A. Consumer Relations 1-800-524-8697. • Mattel Canada Inc., Mississauga, Ontario L5R 3W2. You may call us free at 1-800-524-8697. • Mattel U.K. Ltd., Vanwall Business Park, Maidenhead SL6 4UB. Helpline 01628 500303. • Mattel Australia Pty., Ltd., Richmond, Victoria, 3121. Consumer Advisory Service - 1300 135 312 Mattel East Asia Ltd., Room 1106, South Tower, World Finance Centre, Harbour City, Tsimshatsui, HK, China. • Diimport & Diedarkan Oleh: Mattel SEA Ptd Ltd.(993532-P) Lot 13.5, 13th Floor, Menara Lien Hoe, Persiaran Tropicana Golf Country Resort, 47410 PJ. Tel:03-78803817, Fax:03-78803867.

MORE WAYS TO PLAY

Connects with other Trick Tracks sets.



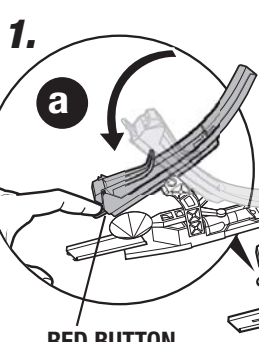
ASSEMBLY



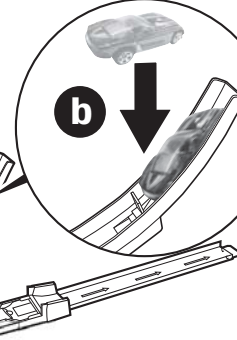
Note: All launch buttons are green.
All reset buttons are red.

TO PLAY

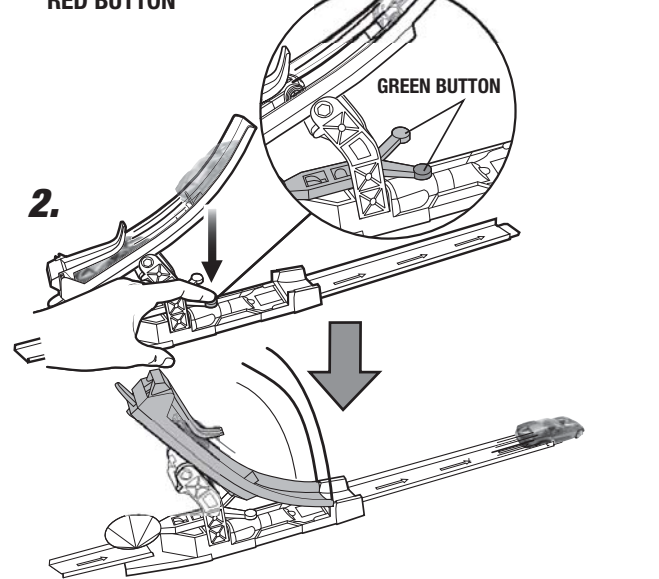
1.



RED BUTTON



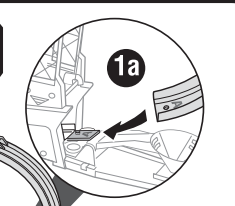
2.



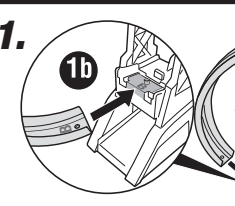
GREEN BUTTON

ASSEMBLY

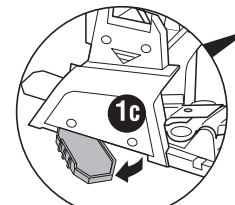
1.



1a



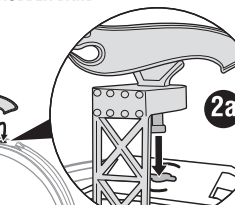
1b



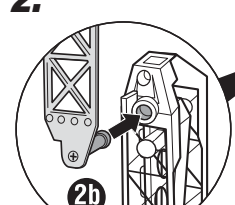
1c

BLUE RUBBER BAND

2.

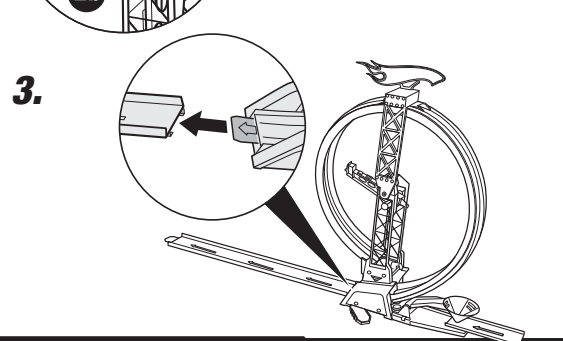


2a



2b

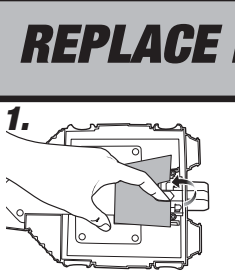
3.



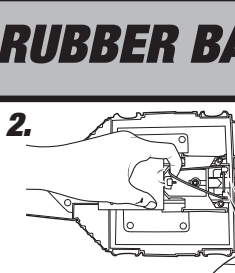
REPLACE RUBBER BAND

ADULT SUPERVISION REQUIRED.

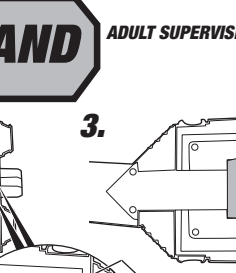
1.



2.

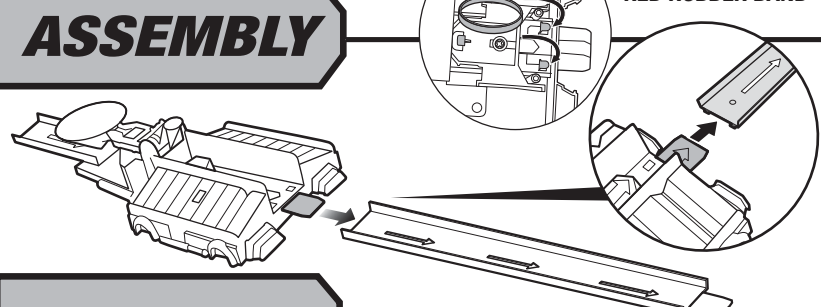


3.




RED RUBBER BAND

ASSEMBLY

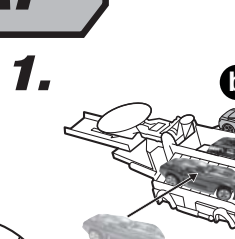


TO PLAY

1.

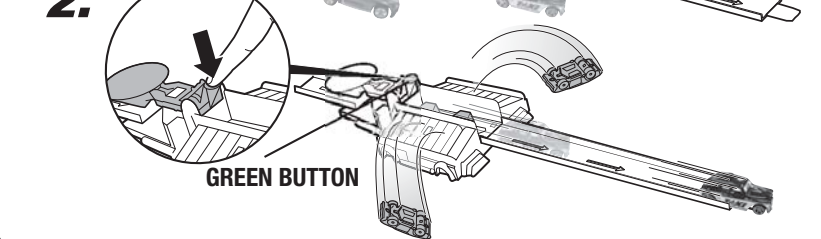


1a



1b

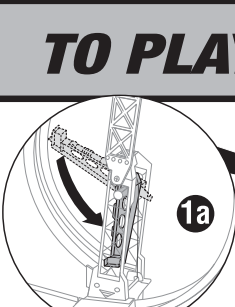
2.



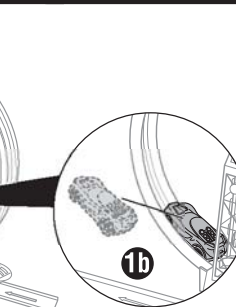
GREEN BUTTON

TO PLAY

1.

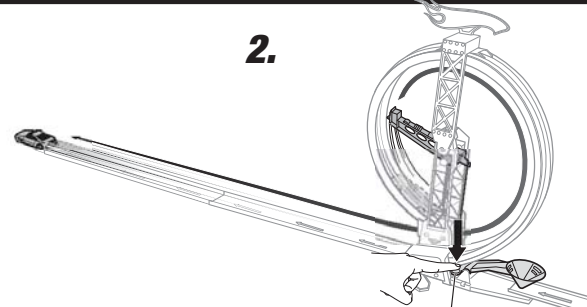


1a



1b

2.



GREEN BUTTON