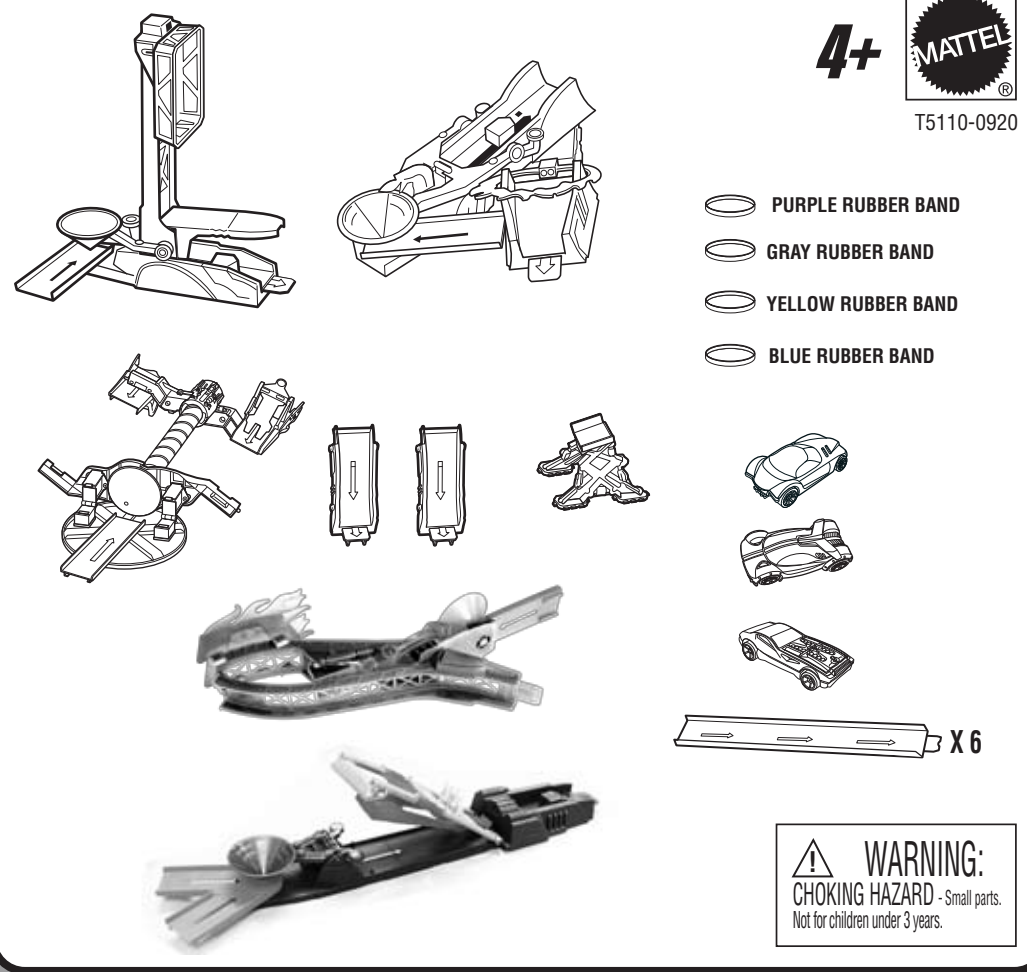




# COLOSSAL STUNT WORLD

## INSTRUCTIONS

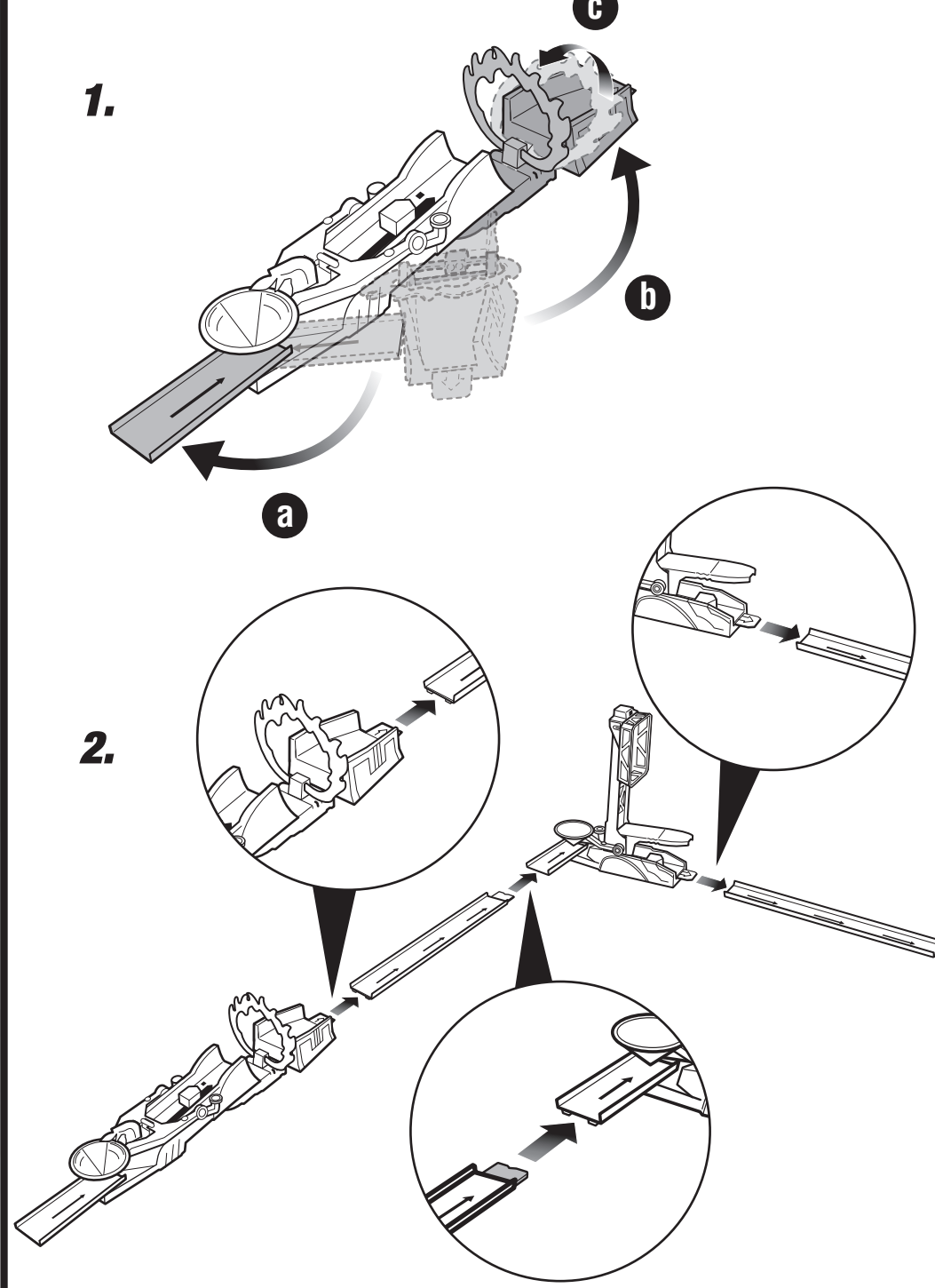
### CONTENTS



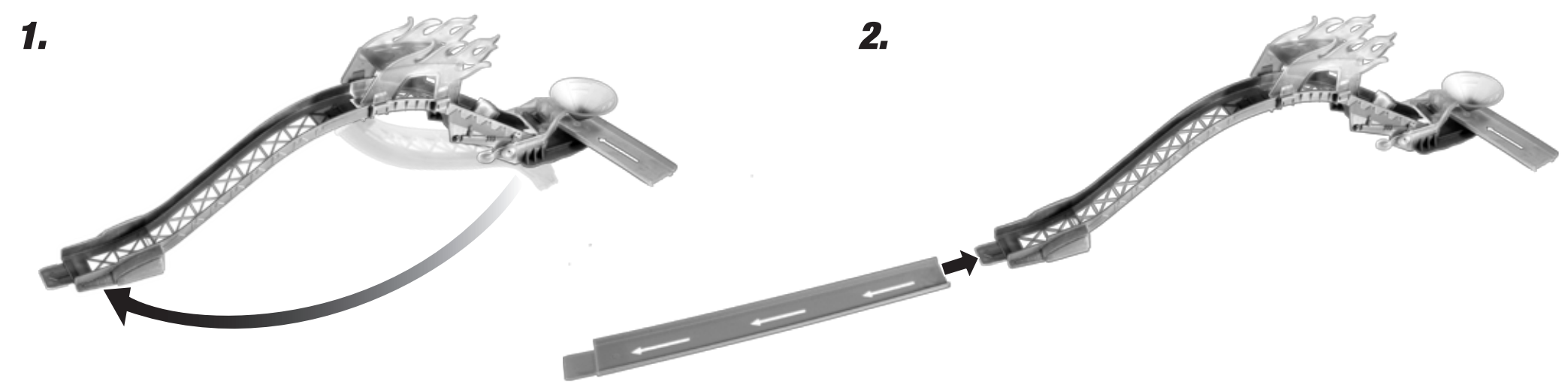
© 2010 Mattel, Inc. All Rights Reserved. Mattel, Inc., 636 Grand Avenue, East Aurora, NY 14255, U.S.A. Consumer Relations 1-800-524-8697 • Mattel Canada Inc., Mississauga, Ontario L5R 2K7. You may call toll free at 1-800-524-8697 • Mattel U.K. Ltd., Vauxhall Business Park, Maidenhead SL6 4UB. Helpline 01628 500303 • Mattel Australia Pty. Ltd., Richmond, Victoria, 3121 Consumer Advisory Service 1-800 135 312 • Mattel East Asia Ltd., Room 1106, South Tower, World Finance Centre, Harbour City, Tsimshatsi, HK, China • Dongren & Dezhikhan OOO, Malak SGA P/L (095529-7) Lot 13.5, 13th Floor, Menara Lien Hoe, Persiaran Tropicana Golf Country Resort, 47410 PJ, Tel: 03-78803817, Fax: 03-78803867 service.mattel.com

## ASSEMBLY

### 1 Assemble Daredevil Drop®



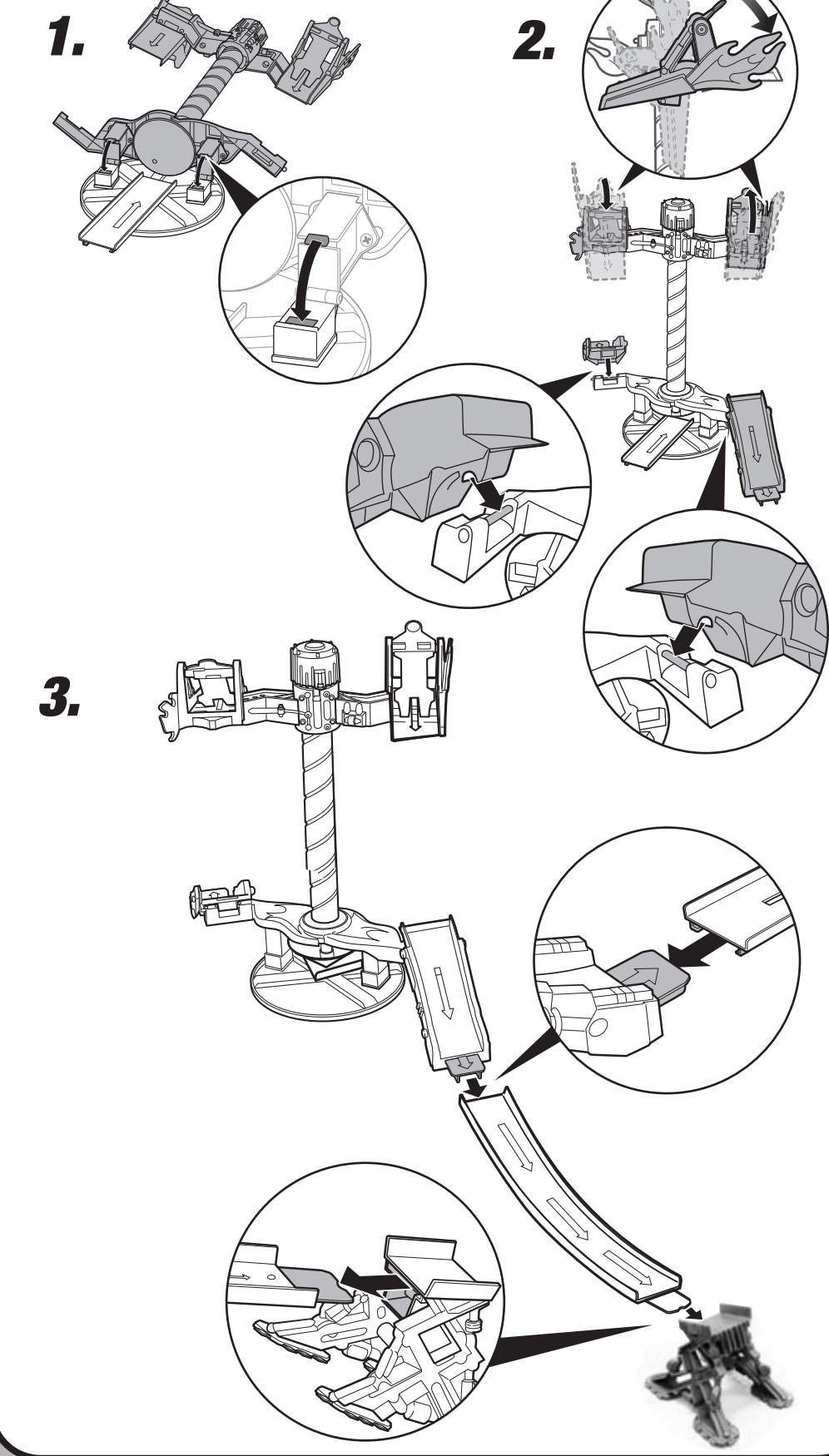
### 2 Assemble Speed Hill



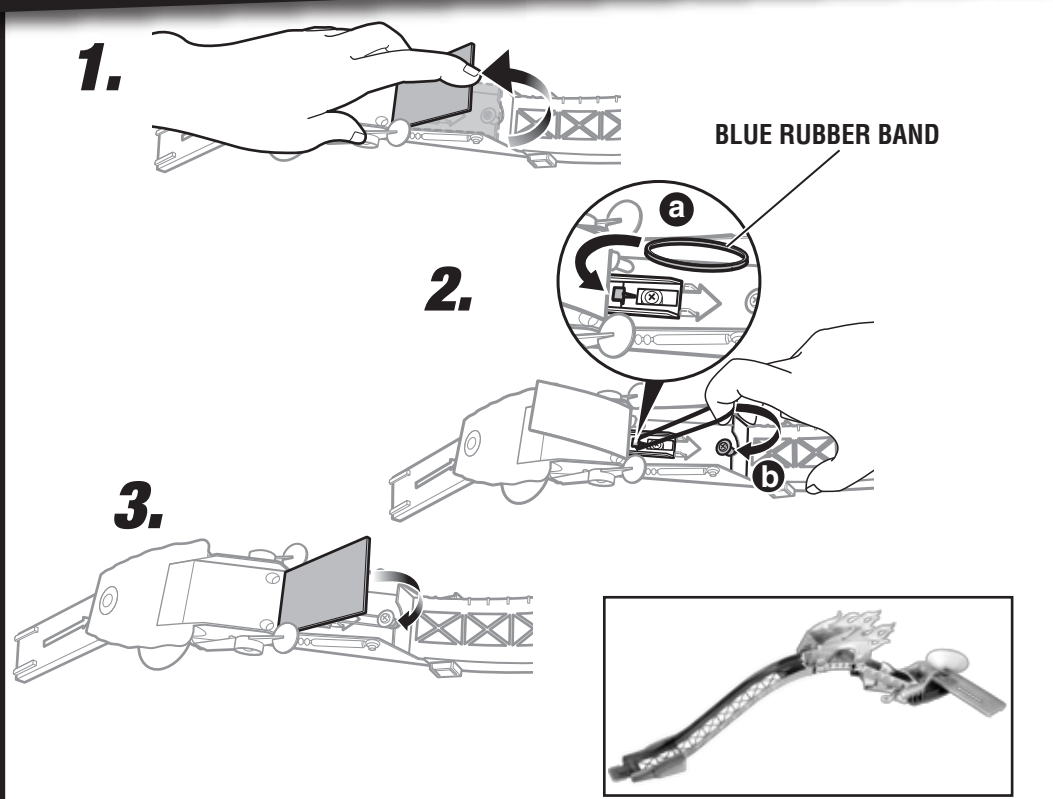
### 3 Assemble Flip & Crash Duel®



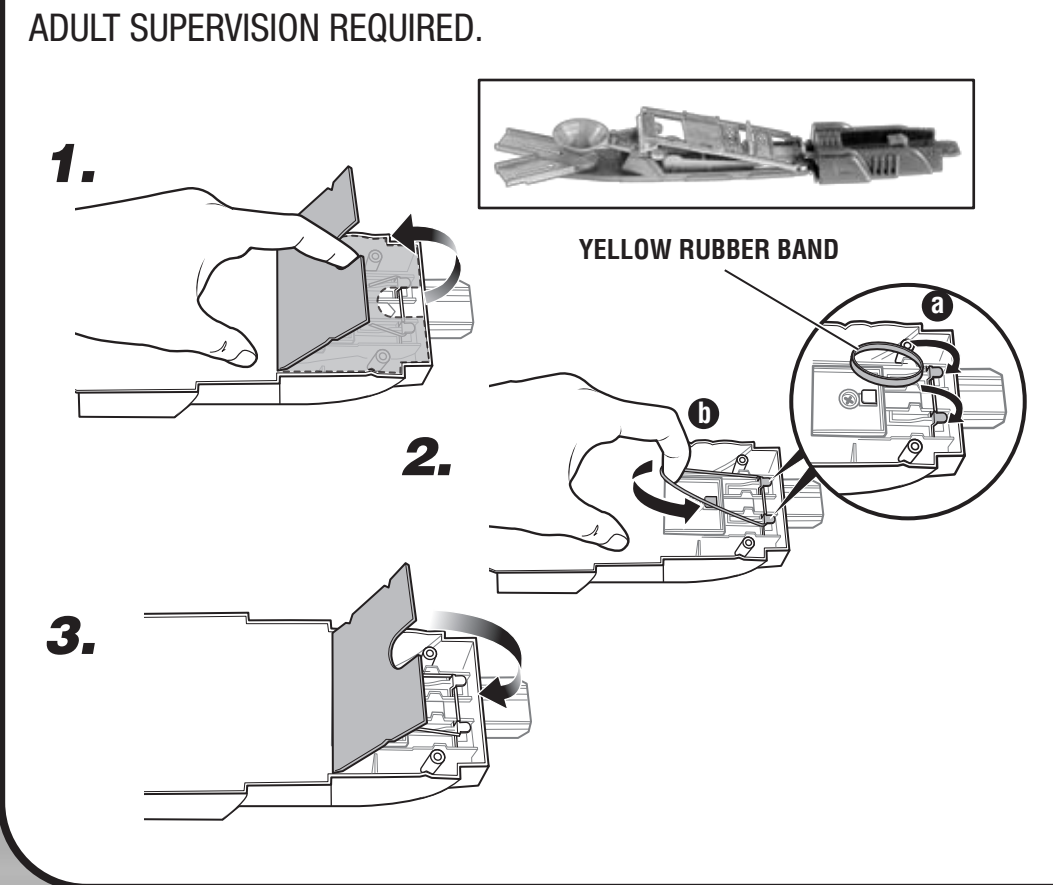
### 4 Assemble Spiral Spin Out™



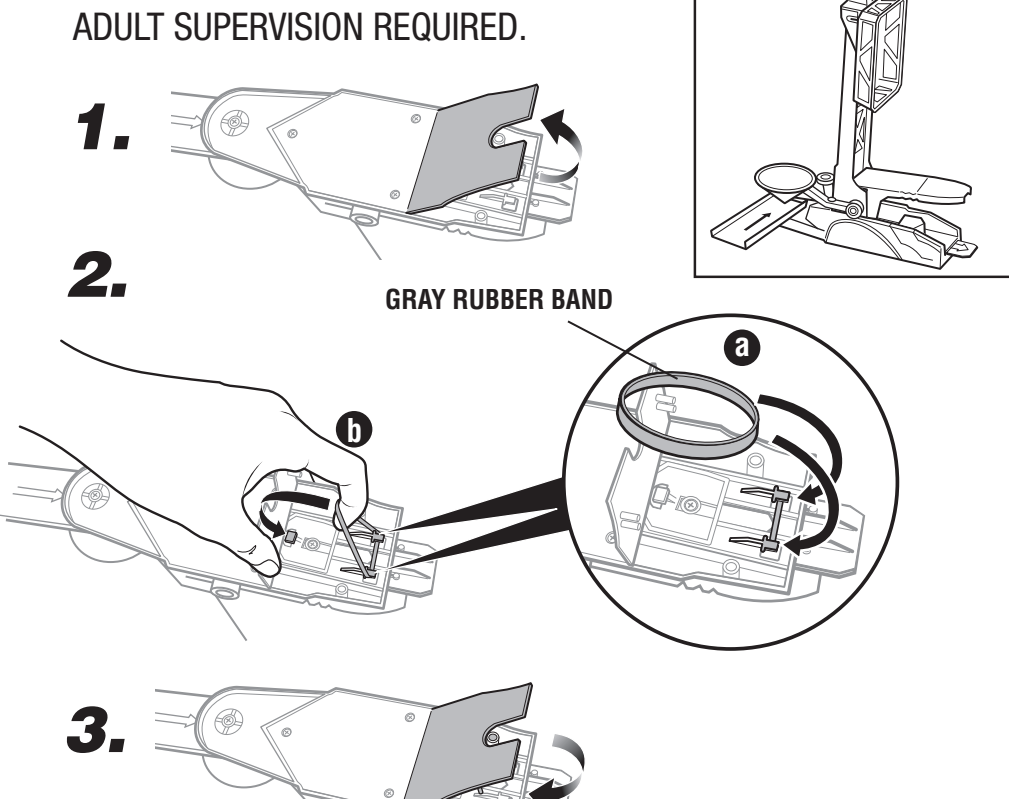
## REPLACE RUBBER BAND



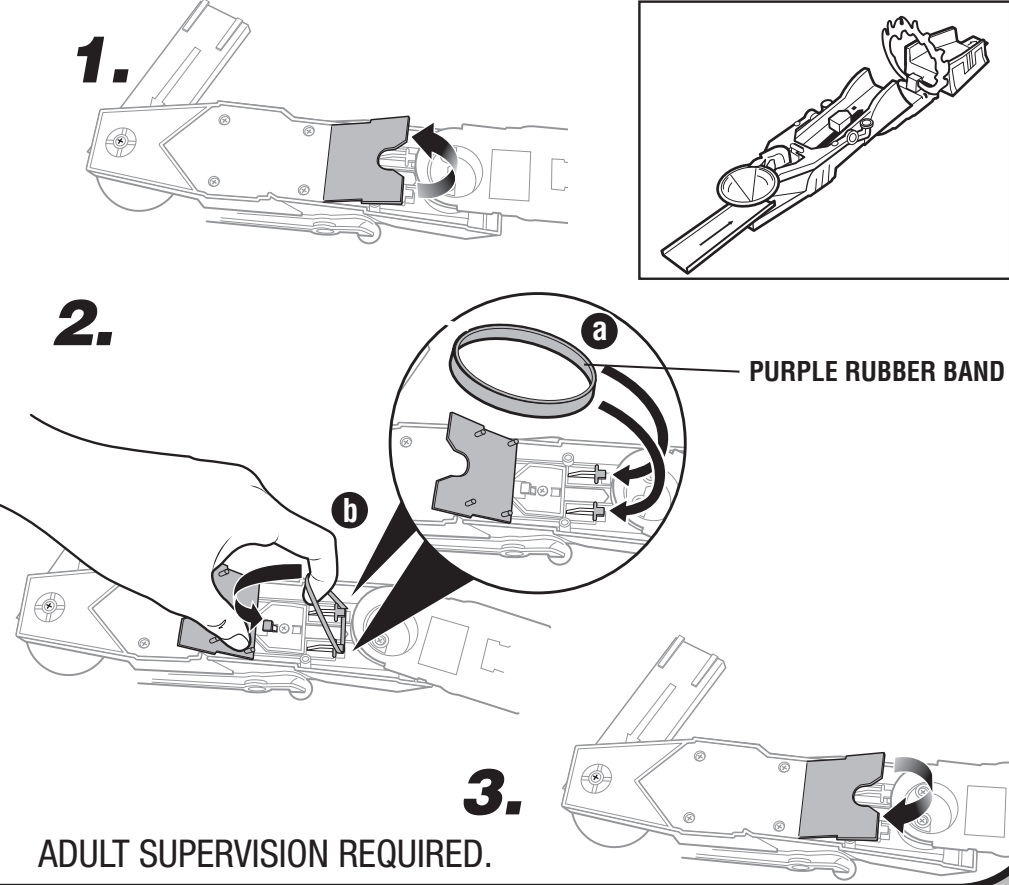
ADULT SUPERVISION REQUIRED.



ADULT SUPERVISION REQUIRED.



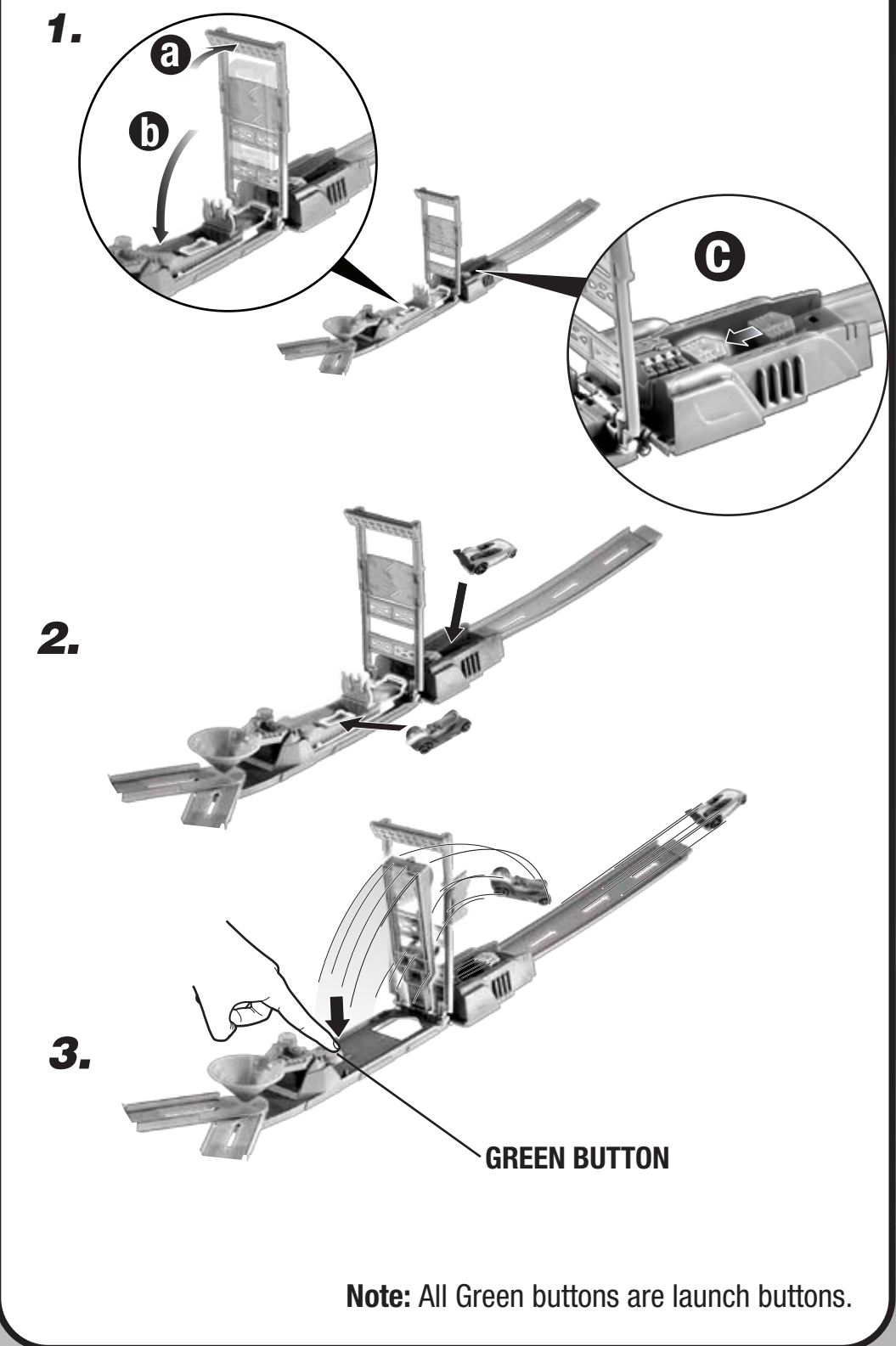
ADULT SUPERVISION REQUIRED.



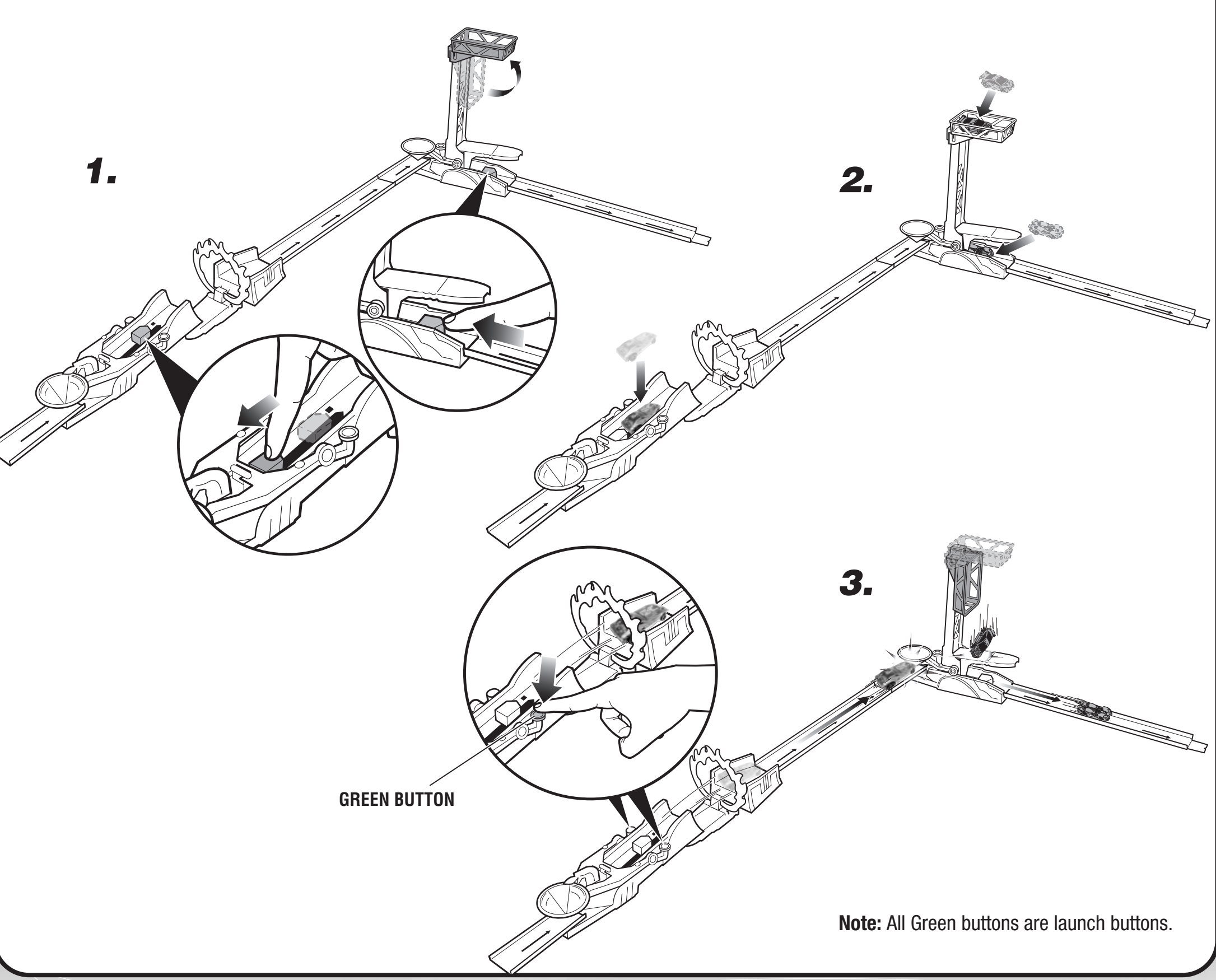
ADULT SUPERVISION REQUIRED.

## TO PLAY

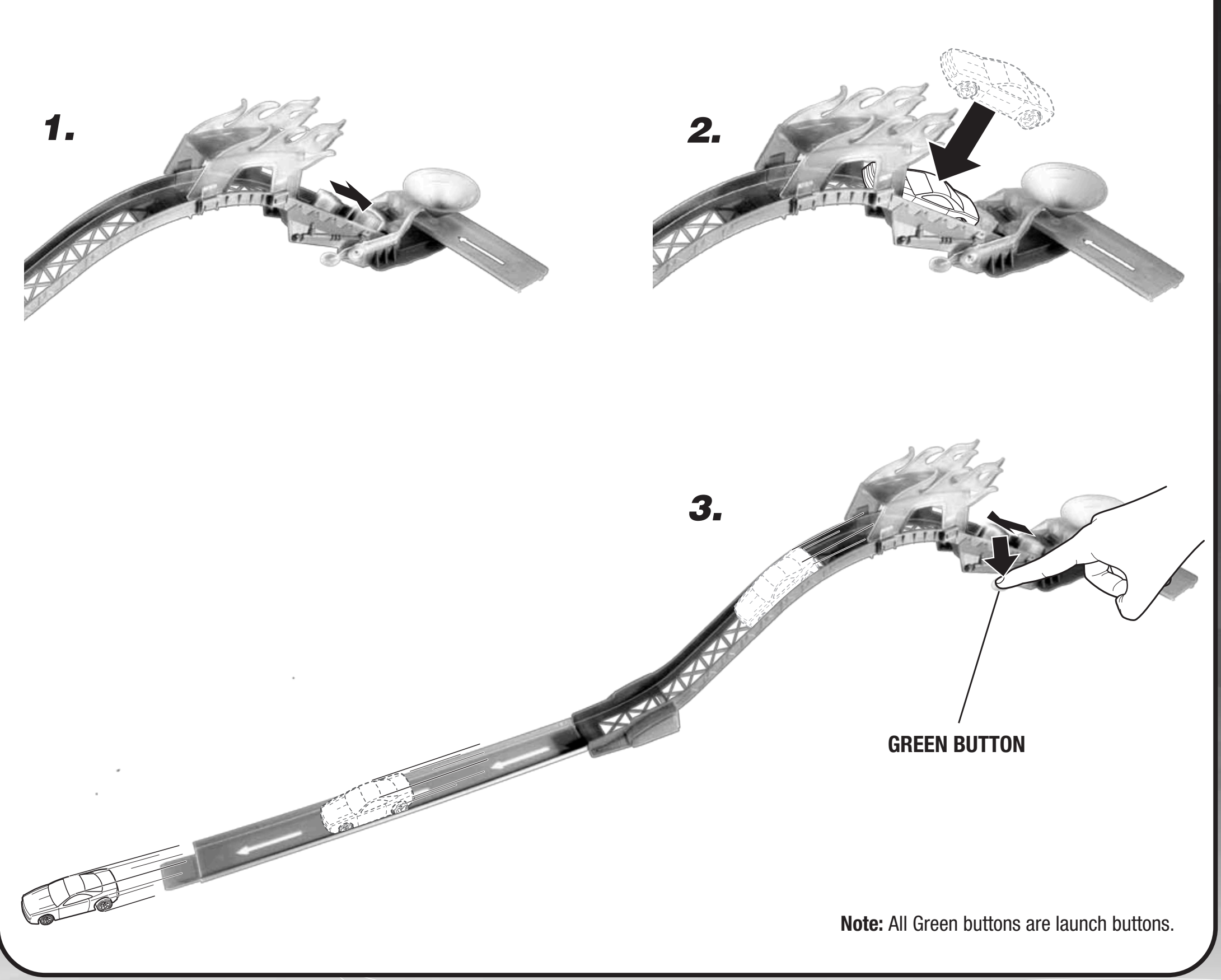
### 1 To Play Flip & Crash Duel®



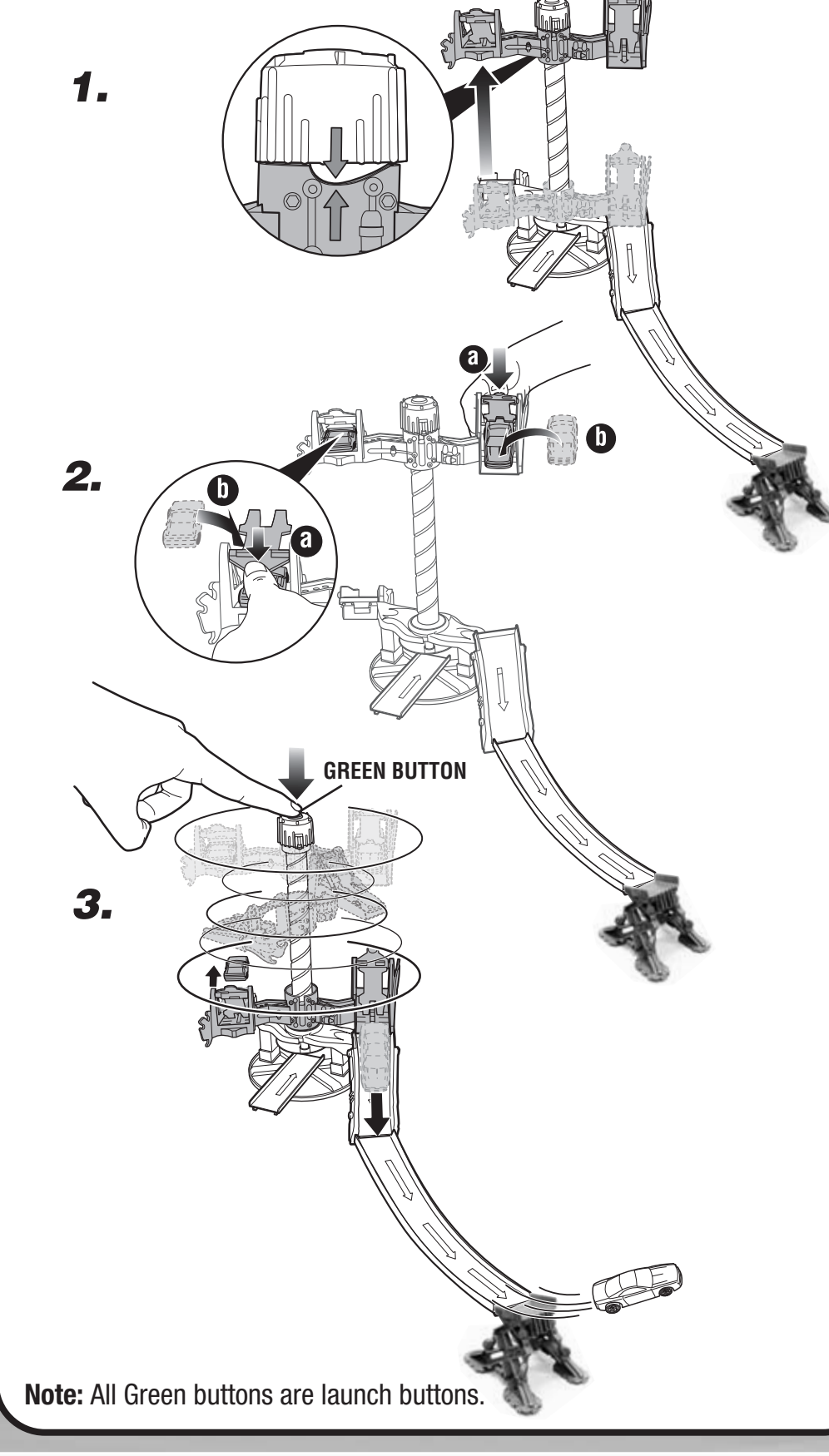
### 2 To Play Daredevil Drop®



### 3 To Play Speed Hill



### 4 To Play Spiral Spin Out™



### 5 More Ways To Play

