

Fisher-Price®

T6075



Please keep this instruction sheet for future reference,
as it contains important information.

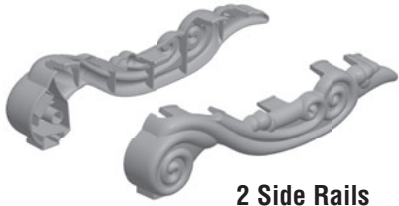
Requires two "AA" batteries (included) for operation.

Adult assembly is required.

Tool required for assembly: Phillips screwdriver (not included).

www.fisher-price.com

Assembled Parts



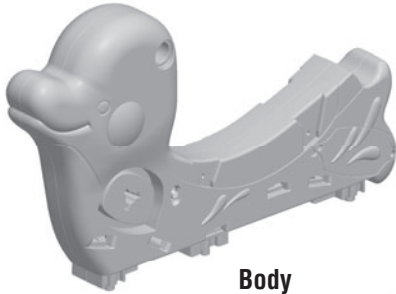
2 Side Rails



Seat



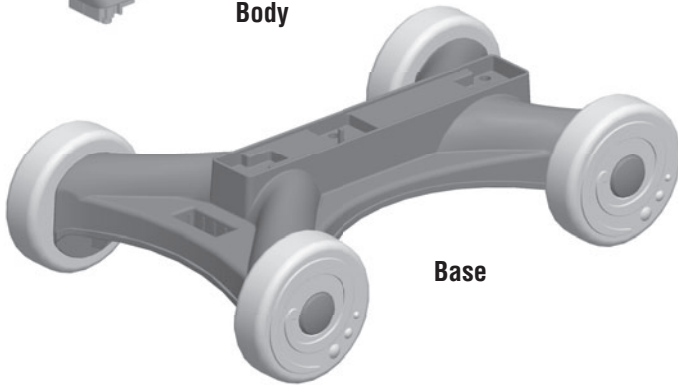
Handlebar
(2 Pieces)



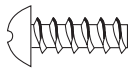
Body



2 Fins



Base



#8 x 1/2" Screws – 12
Shown Actual Size

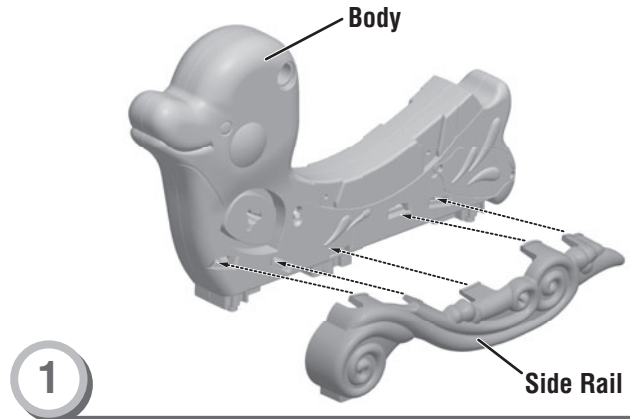
Note: Tighten and loosen all screws with a Phillips screwdriver. Do not over-tighten screws.

Assembly

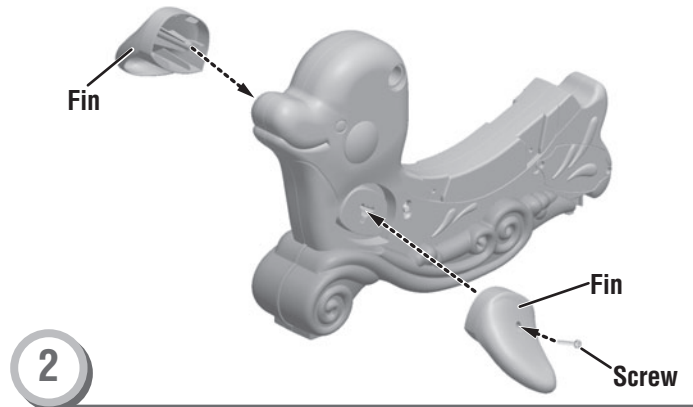


CAUTION

This package contains small parts in its unassembled state. Adult assembly is required. Take extra care during unpacking and assembly.

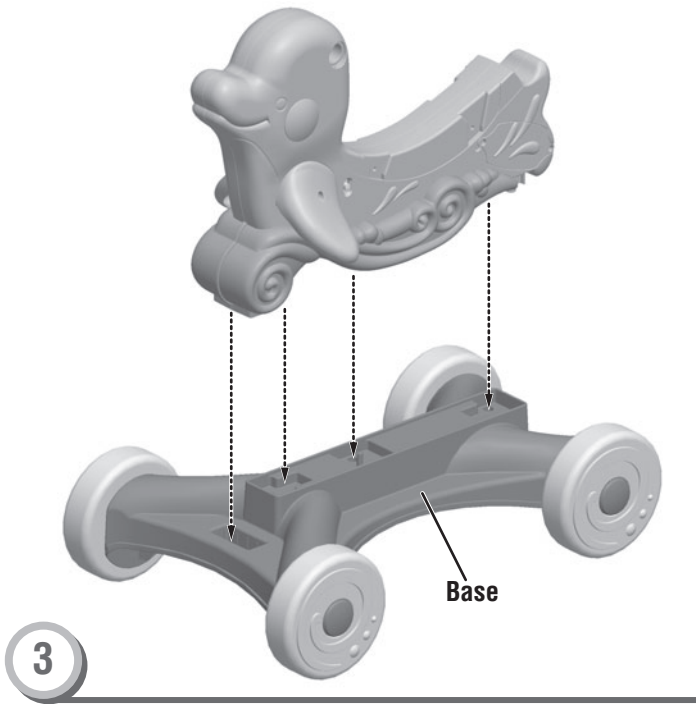


- Fit the tabs on one of the side rails into the slots in the body. Push to "snap" in place.
- Hint: The side rails are designed to fit one way. If they do not seem to fit, try the other side.*
- Repeat this procedure to assemble the other side rail.

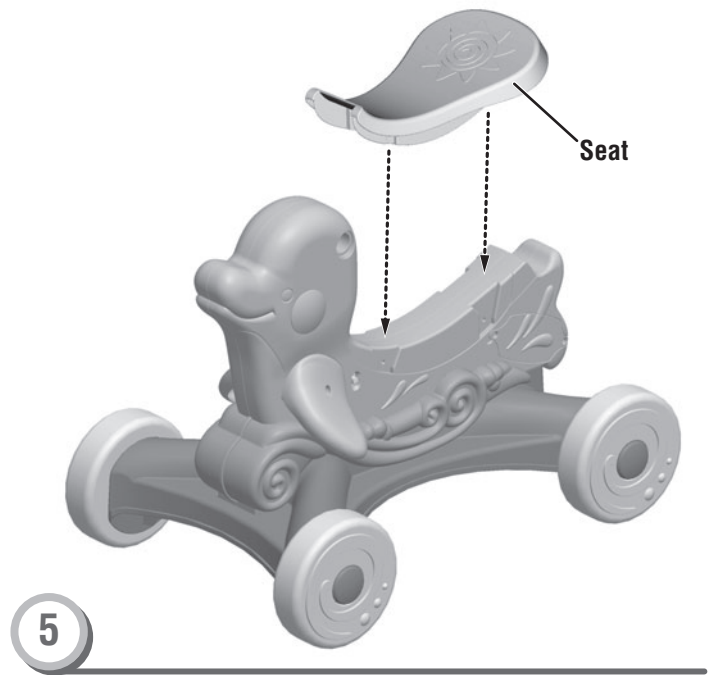


- Fit a fin into each side of the body.
- Insert a screw into the fin and tighten.

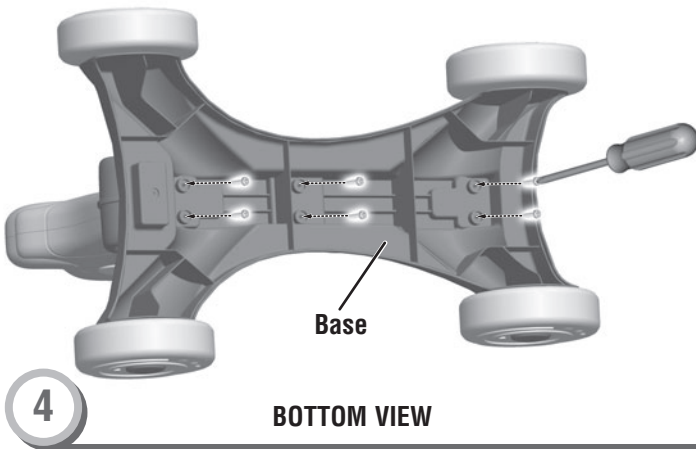
Assembly



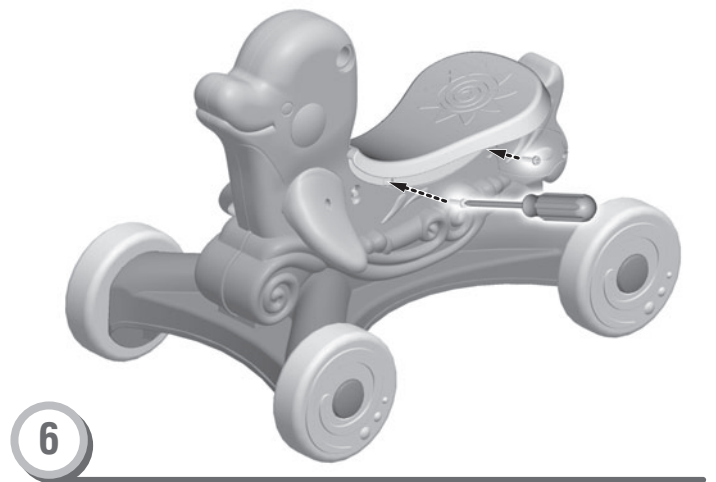
- Fit the body onto the base, as shown.



- Turn the assembly upright.
- Fit the seat onto the assembly.



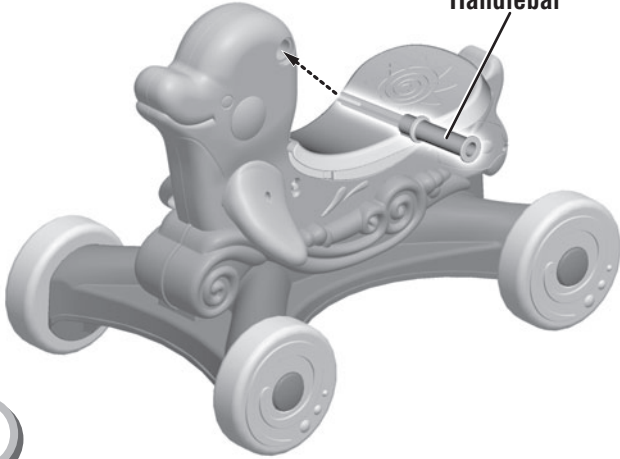
- While holding the body and base together, carefully tip the assembly over.
- Insert six screws into the holes in the base and tighten.



- Insert two screws into the holes on **each side** of the seat and tighten.

Assembly

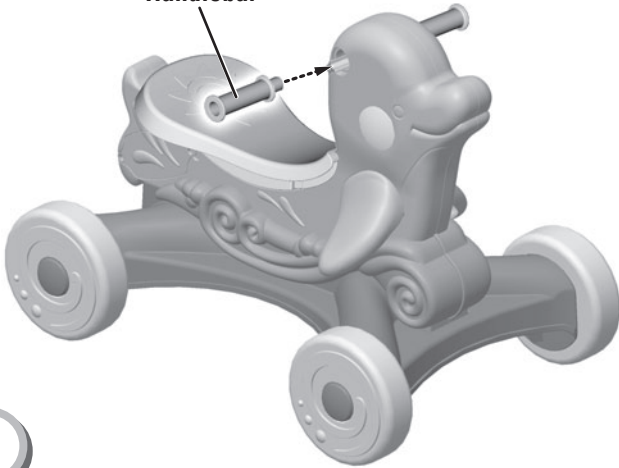
Long Handlebar



7

- First, insert the **long handlebar** through the hole in the head.
Hint: You may need to turn the long handlebar to fit it into the hole.

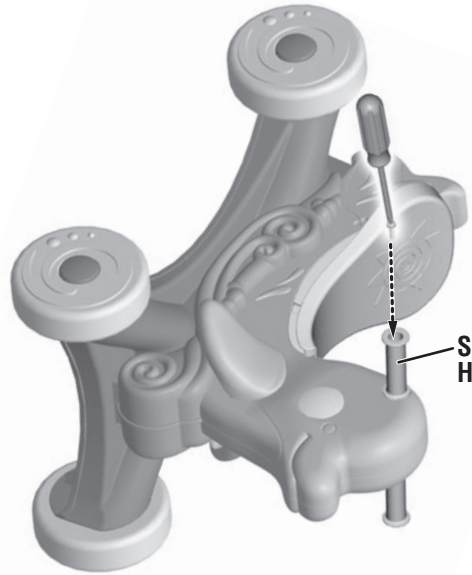
Short Handlebar



8

- Then, insert the **short handlebar** through the hole on the other side of the head.

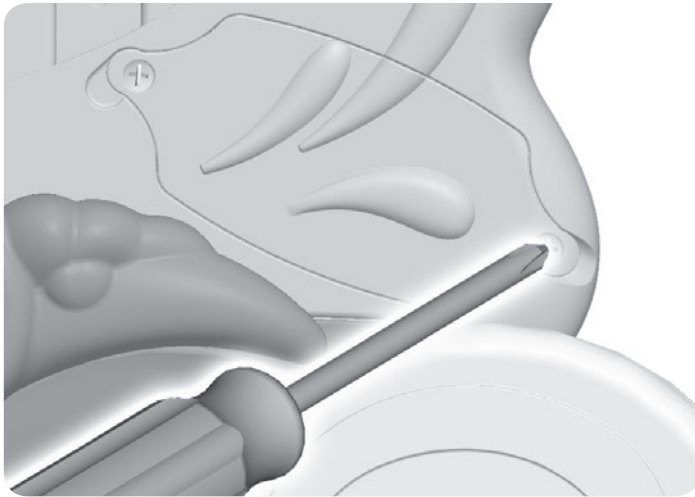
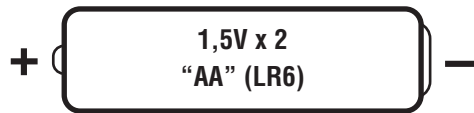
Short Handlebar



9

- While holding the handlebars in place, carefully tip the assembly so that the short handlebar faces up.
- Insert a screw into the hole in the short handlebar and tighten.

Battery Replacement



For best performance, we recommend that you replace the batteries that came with this toy with two, new “AA” (LR6) alkaline batteries.

- Locate the battery compartment side of the toy.
 - Loosen the screws in the battery compartment door with a Phillips screwdriver. Remove the battery compartment door. Remove the exhausted batteries and throw them away.
 - Insert two, new “AA” (LR6) **alkaline** batteries.
- Hint: We recommend using alkaline batteries for longer battery life.***
- Replace the battery compartment door and tighten the screws.
 - If toy begins to operate erratically, you may need to reset the electronics. Slide the power/volume switch on the toy off and then back on.
 - When sounds become faint or stop, it's time for an adult to change the batteries!





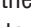
- Protect the environment by not disposing of this product with household waste (2002/96/EC). Check your local authority for recycling advice and facilities (Europe only).

Roll-Along with Music



Press



-
- Slide the power/volume switch ON the toy to on with low volume ; ON with high volume  or OFF .
 - Press the button on the dolphin's head for musical tunes.
 - Listen to music and sounds as you ride along!

Consumer Information



CONSUMER ASSISTANCE

1-800-432-5437 (US & Canada)
1300 135 312 (Australia)

 **service.fisher-price.com**

Fisher-Price, Inc., 636 Girard Avenue, East Aurora, NY 14052.
Hearing-impaired consumers: 1-800-382-7470.

Outside the United States:

Canada: Mattel Canada Inc., 6155 Freemont Blvd.,
Mississauga, Ontario L5R 3W2; www.service.mattel.com.

Great Britain: Mattel UK Ltd, Vanwall Business Park,
Maidenhead SL6 4UB. Helpline: 01628 500303.
www.service.mattel.com/uk

Mattel Europa, B.V., Gondel 1, 1186 MJ Amstelveen, Nederland.

Australia: Mattel Australia Pty. Ltd., 658 Church Street,
Locked Bag #870, Richmond, Victoria 3121 Australia.

New Zealand: 16-18 William Pickering Drive,
Albany 1331, Auckland.

Care

- Wipe with a clean cloth dampened with a mild soap and water solution. Do not immerse.

ICES-003

- This Class B digital apparatus complies with Canadian ICES-003. Operation is subject to the following two conditions: (1) this device may not cause harmful interference and (2) this device must accept any interference received, including interference that may cause undesired operation.

NMB-003

- Cet appareil numérique de la classe B est conforme à la norme NMB-003 du Canada. L'utilisation de ce dispositif est autorisée seulement aux conditions suivantes: (1) il ne doit pas produire de brouillage et (2) l'utilisateur du dispositif doit être prêt à accepter tout brouillage radioélectrique reçu, même si ce brouillage est susceptible de compromettre le fonctionnement du dispositif.

Battery Safety Information

In exceptional circumstances, batteries may leak fluids that can cause a chemical burn injury or ruin your toy. To avoid battery leakage:

- Do not mix old and new batteries or batteries of different types: alkaline, standard (carbon-zinc) or rechargeable (nickel-cadmium).
- Insert batteries as indicated inside the battery compartment.
- Remove batteries during long periods of non-use. Always remove exhausted batteries from the toy. Dispose of batteries safely. Do not dispose of this product in a fire. The batteries inside may explode or leak.
- Never short-circuit the battery terminals.
- Use only batteries of the same or equivalent type, as recommended.
- Do not charge non-rechargeable batteries.
- Remove rechargeable batteries from the toy before charging.
- If removable, rechargeable batteries are used, they are only to be charged under adult supervision.

FCC Statement (United States Only)

This equipment has been tested and found to comply with the limits for a Class B digital device, pursuant to Part 15 of the FCC Rules. These limits are designed to provide reasonable protection against harmful interference in a residential installation. This equipment generates, uses and can radiate radio frequency energy and, if not installed and used in accordance with the instructions, may cause harmful interference to radio communications.

However, there is no guarantee that interference will not occur in a particular installation. If this equipment does cause harmful interference to radio or television reception, which can be determined by turning the equipment off and on, the user is encouraged to try to correct the interference by one or more of the following measures:

- Reorient or relocate the receiving antenna.
- Increase the separation between the equipment and receiver.
- Consult the dealer or an experienced radio/TV technician for help.

Note: Changes or modifications not expressly approved by the manufacturer responsible for compliance could void the user's authority to operate the equipment.

This device complies with Part 15 of the FCC Rules. Operation is subject to the following two conditions: (1) this device may not cause harmful interference and (2) this device must accept any interference received, including interference that may cause undesired operation.