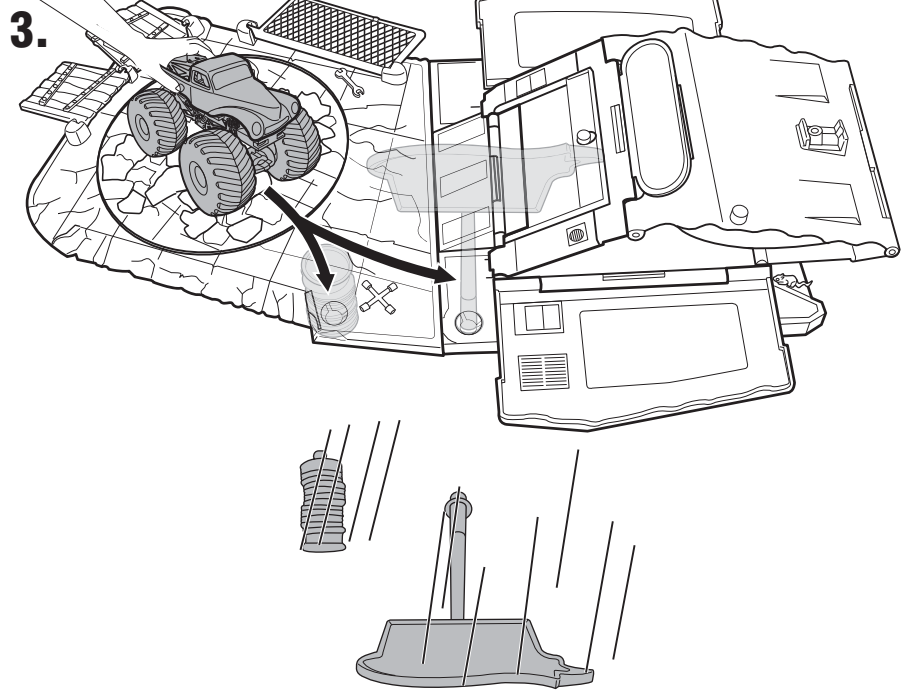
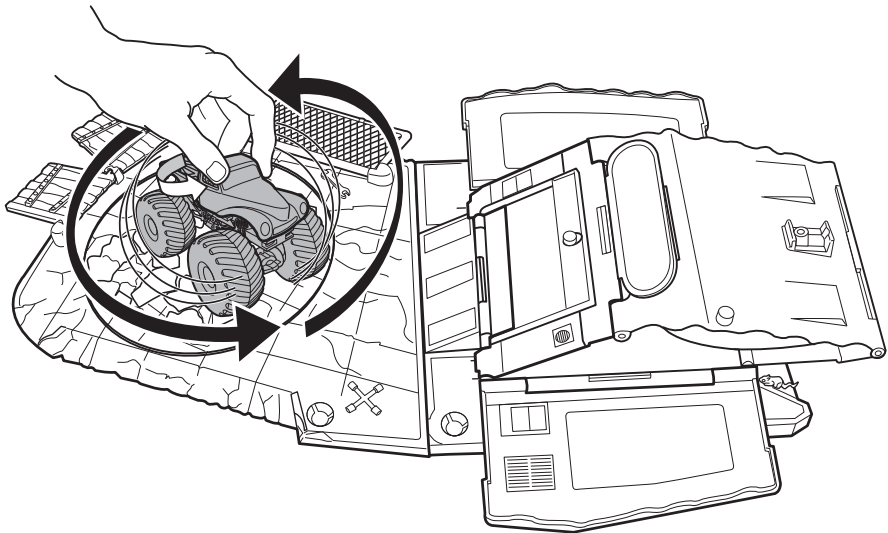


TO PLAY (CONT)



4. Awesome spin-outs.



HOT WHEELS

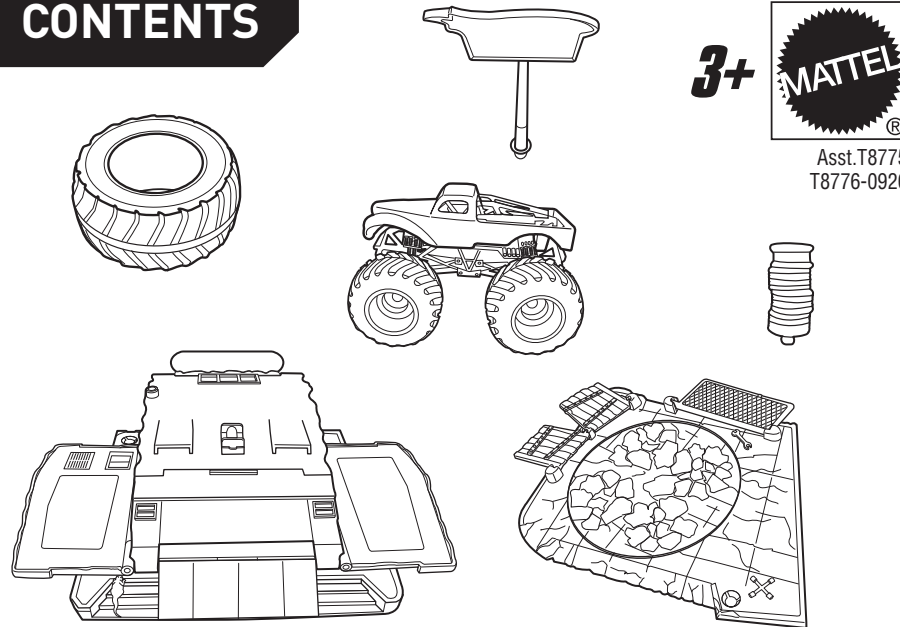
MONSTER JAM

TIRE SHOP CRASH PACK™

INSTRUCTIONS

Please keep these instructions for future reference as they contain important information.

CONTENTS



© 2010 Feld Motor Sports, Inc. Monster Jam®, United States Hot Rod Association®, USHRA®, Afterburner™, Backwards Bob®, Blacksmith®, Blue Thunder®, Bulldozer®, Captain's Curse®, El Toro Loco®, Grave Digger®, Grinder™, Maximum Destruction®, Mohawk Warrior™, and Monster Mutt® are all trademarks of Feld Motor Sports, Inc.

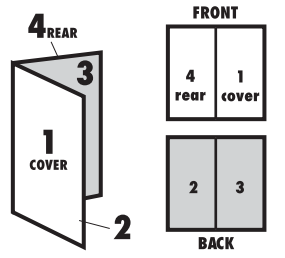
© 2010 Mattel, Inc. All Rights Reserved. Mattel, Inc., 636 Girard Avenue, East Aurora, NY 14052, U.S.A. Consumer Relations 1-800-524-8697. Mattel Canada Inc., Mississauga, Ontario L5R 3W2. You may call us free at 1-800-524-8697. Mattel U.K. Ltd., Vanwall Business Park, Maidenhead SL6 4UB. Helpline 01628 500303. Mattel Australia Pty., Ltd., Richmond, Victoria. 3121. Consumer Advisory Service - 1300 135 312. Mattel East Asia Ltd., Room 1106, South Tower, World Finance Centre, Harbour City, Tsimshatsui, HK, China. Diimport & Diedarkan Oleh: Mattel SEA Ptd Ltd.(993532-P) Lot 13.5, 13th Floor, Menara Lien Hoe, Persiaran Tropicana Golf Country Resort, 47410 PJ. Tel:03-78803817, Fax:03-78803867. service.mattel.com

INSTRUCTION SHEET SPECIFICATIONS

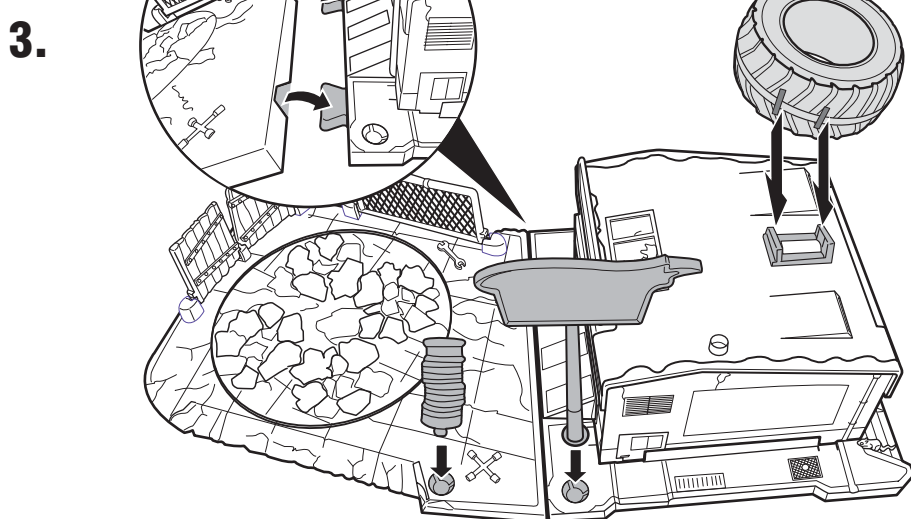
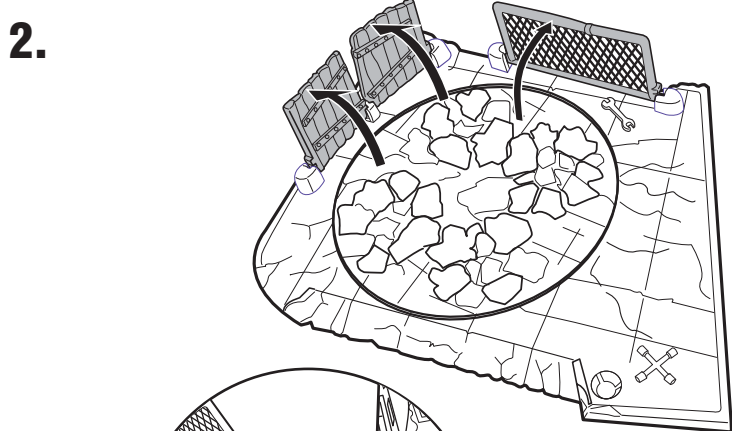
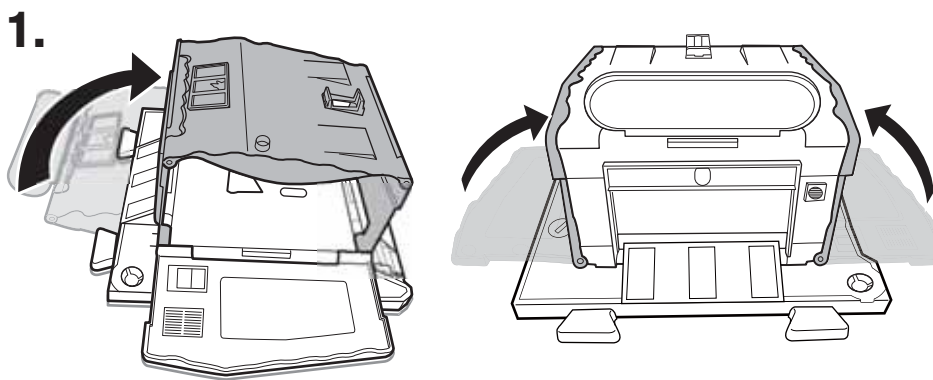
Toy: HW M/TIRE SHOP CRASH PK
 Toy No.: T8776-0920
 Part No.: T8776-0920
 Trim Size: 11" W x 8.5" H
 Folded Size: 5.5" W x 8.5" H
 Type of Fold: Single
 # colors: One
 Colors: Black
 Paper Stock: White Offset
 Paper Weight: 70 lb.
 EDM No.:



2 PANEL Folding Dummy

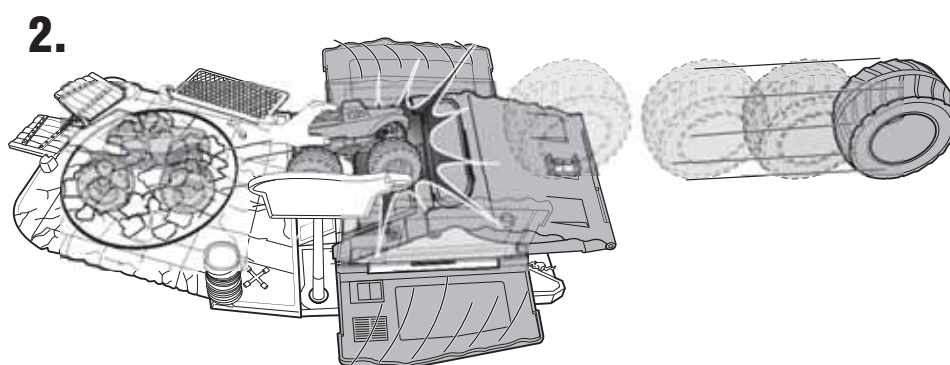
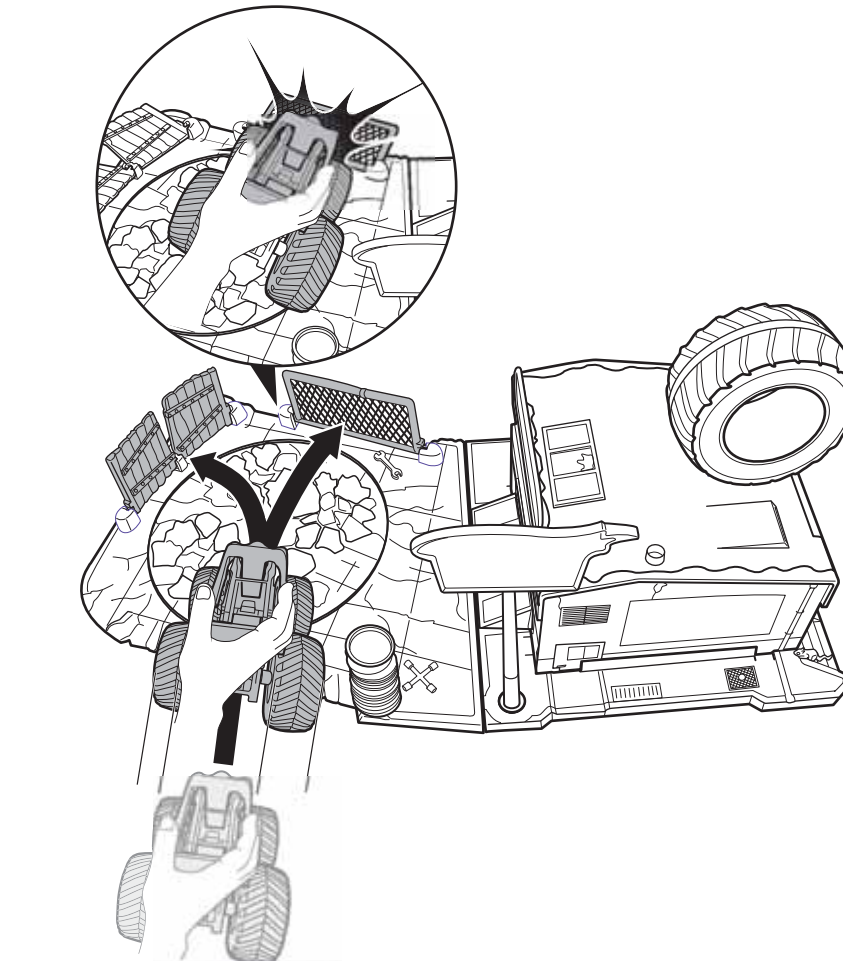


ASSEMBLY

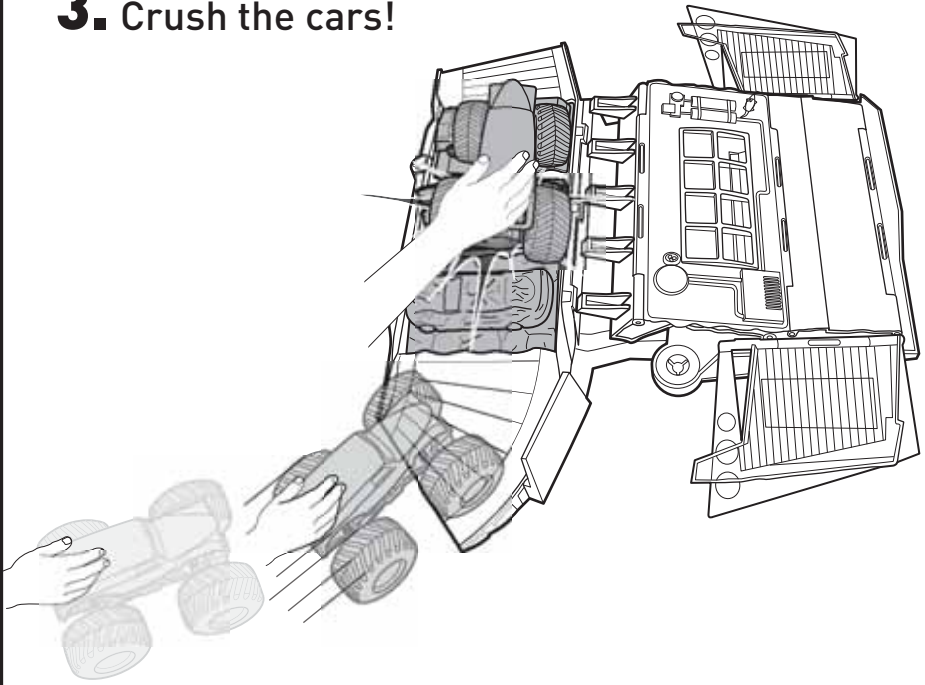


TO PLAY

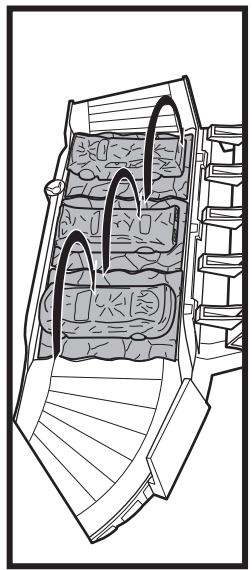
1. Flatten obstacles!



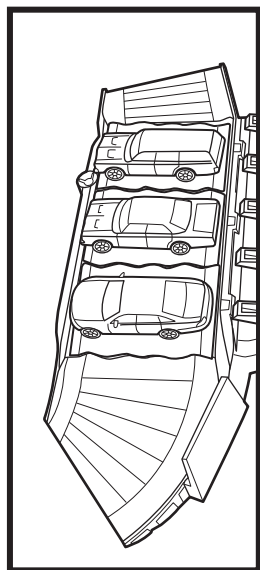
3. Crush the cars!



RESET



Rotate cars to reset.

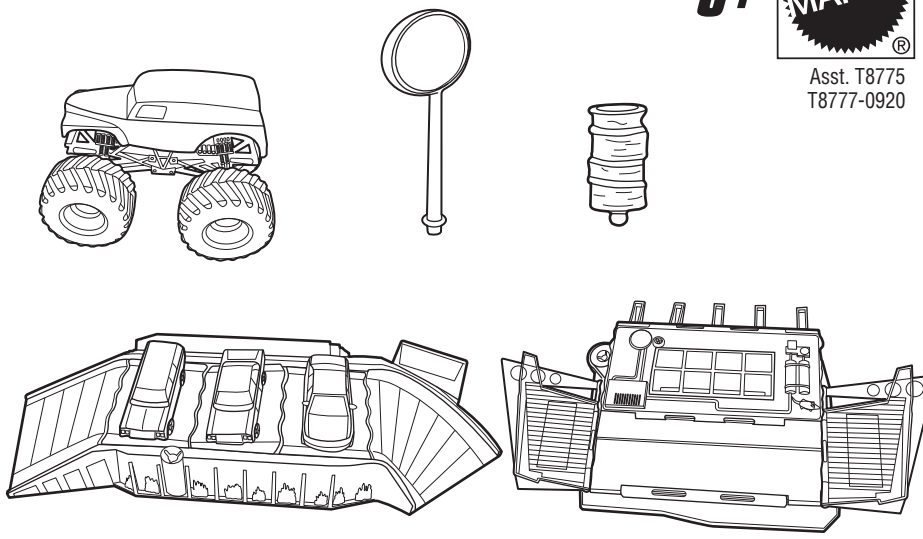


CAR LOT CRASH PACK™

INSTRUCTIONS

Please keep these instructions for future reference as they contain important information.

CONTENTS



Asst. T8775
T8777-0920



© 2010 Feld Motor Sports, Inc. Monster Jam®, United States Hot Rod Association®, USHRA®, Afterburner™, Backwards Bob®, Blacksmith®, Blue Thunder®, Bulldozer®, Captain's Curse®, El Toro Loco®, Grave Digger®, Grinder™, Maximum Destruction®, Mohawk Warrior™, and Monster Mutt® are all trademarks of Feld Motor Sports, Inc.

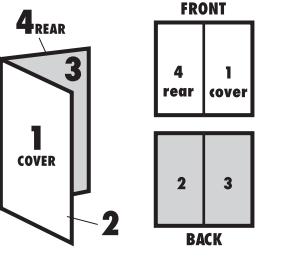
© 2010 Mattel, Inc. All Rights Reserved. Mattel, Inc., 636 Girard Avenue, East Aurora, NY 14052, U.S.A. Consumer Relations 1-800-524-8697. Mattel Canada Inc., Mississauga, Ontario L5R 3W2. You may call us free at 1-800-524-8697. Mattel U.K. Ltd., Vanwall Business Park, Maidenhead SL6 4UB. Helpline 01628 500303. Mattel Australia Pty, Ltd., Richmond, Victoria. 3121. Consumer Advisory Service - 1300 135 312. Mattel East Asia Ltd., Room 1106, South Tower, World Finance Centre, Harbour City, Tsimshatsui, HK, China. Diimport & Diedarkan Oleh: Mattel SEA Ptd Ltd.(993532-P) Lot 13.5, 13th Floor, Menara Lien Hoe, Persiaran Tropicana Golf Country Resort, 47410 P.J. Tel:03-78803817, Fax:03-78803867. service.mattel.com

INSTRUCTION SHEET SPECIFICATIONS

Toy: WRECK'N ROLL Stunt Set
Toy No.: _____
Part No.: T8777-0920
Trim Size: 11"W x 8.5" H
Folded Size: 5.5" W x 8.5" H
Type of Fold: Single
colors: One
Colors: Black
Paper Stock: White Offset
Paper Weight: 70 lb.
EDM No.: _____

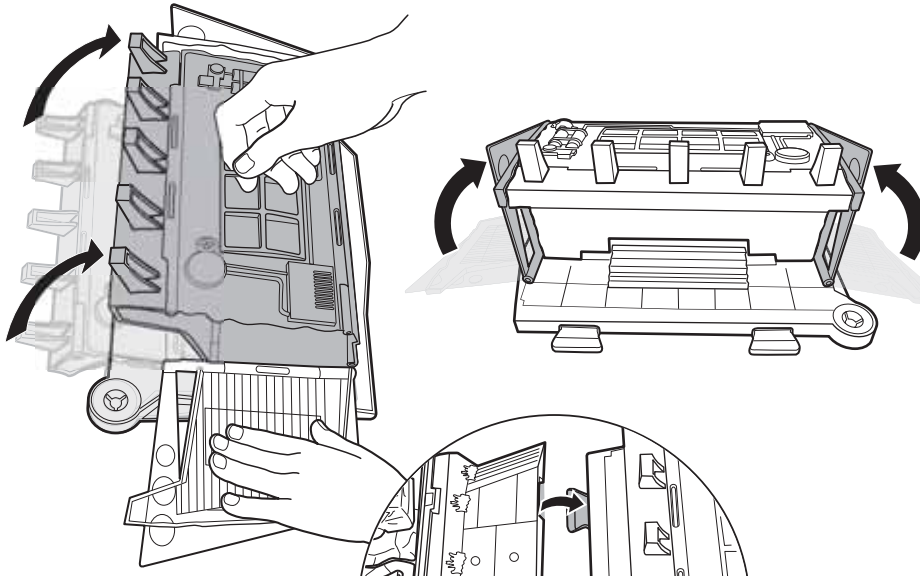


2 PANEL Folding Dummy

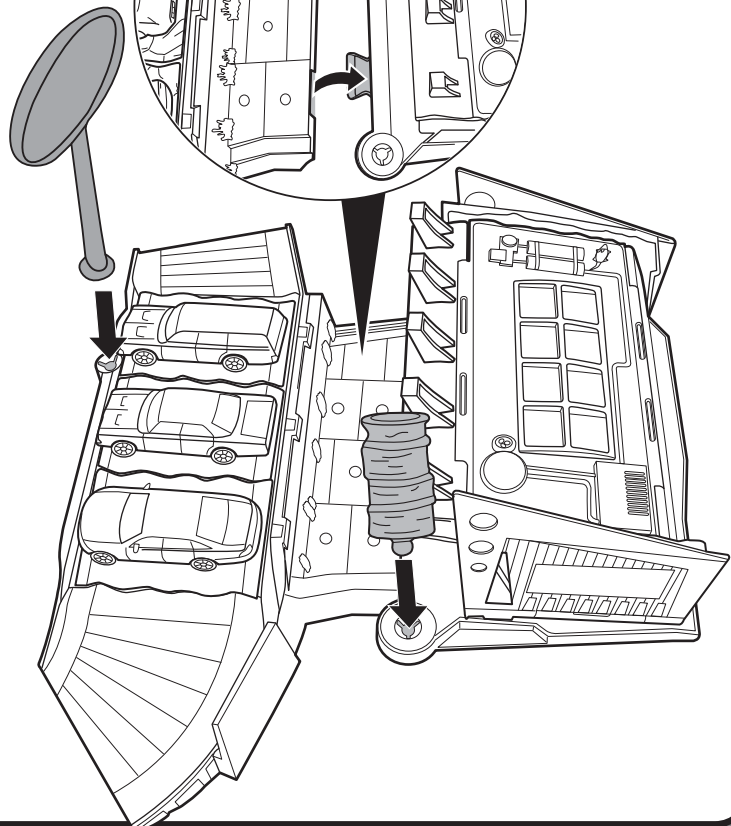


ASSEMBLY

1.

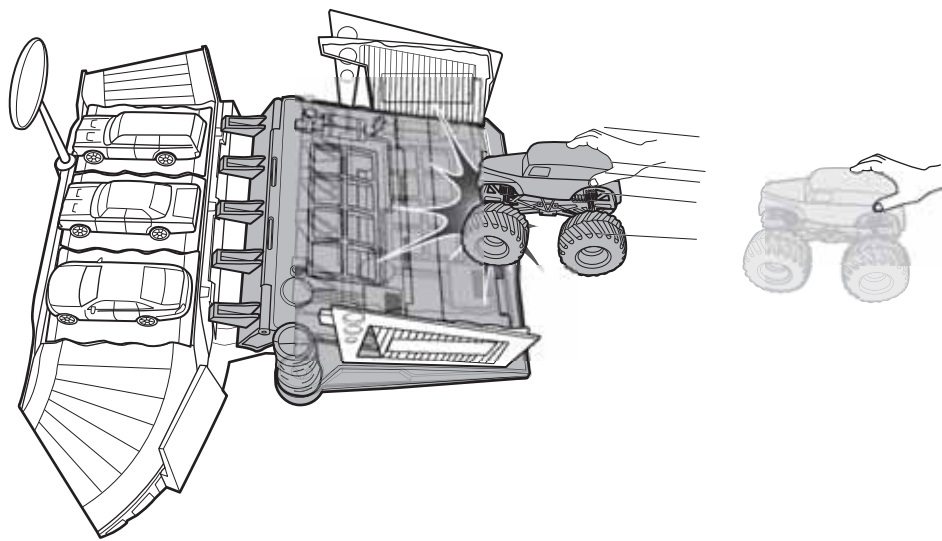


2.



TO PLAY

1. Flatten the cars!



2.

