



3+



Asst. T9482

T9483/T9484/T9485/T9486-0920

Keep these instructions for future reference as they contain important information. **IMPORTANT:** Please read all "Consumer Information" before operating your vehicle.

**CAUTION:** To prevent entanglement, keep all hair away from the wheels.

**CAUTION:** Surfaces may become hot and cause burns if electronics get wet. Do not operate vehicle through water or snow.

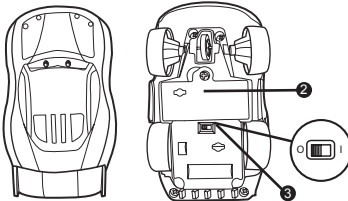
## I. CONTENTS/ FEATURES

### Vehicle

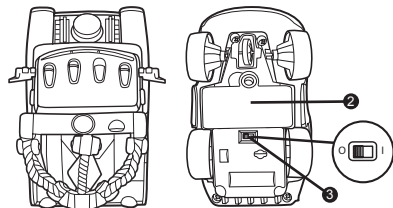
#### Transmitter

- ❶ One-button easy control
- ❷ Battery cover
- ❸ ON (I) / OFF (O)

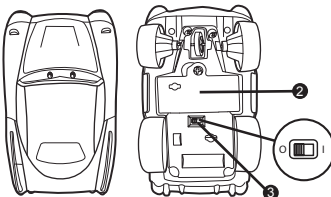
T9483 LIGHTNING McQUEEN



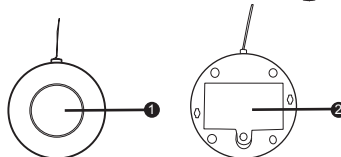
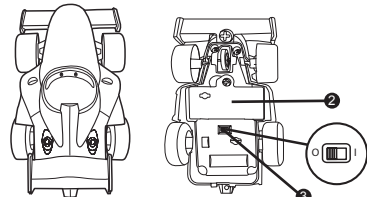
T9484 MATER



T9485 FINN McMISSILE



T9486 FRANCESCO



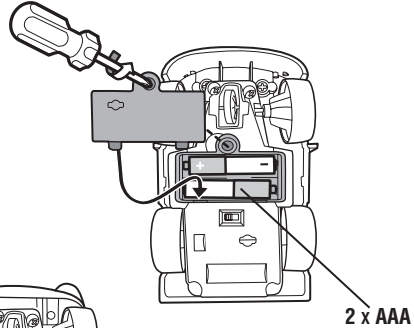
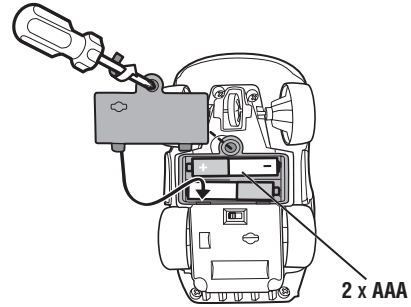
## II. BATTERY INSTALLATION

### (Transmitter & Vehicle)

Requires 2 AAA alkaline batteries for the vehicle and 2 AA alkaline batteries for the transmitter. Batteries not included.

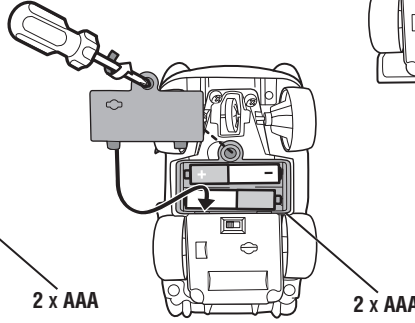
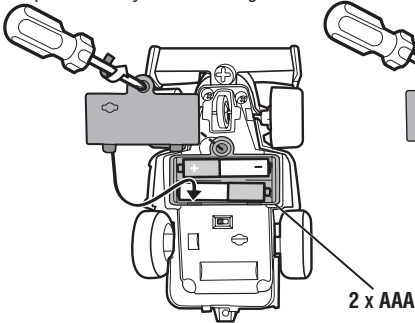
#### Vehicle

1. Unscrew the battery cover with a Phillips head screwdriver (not included).
2. Your vehicle requires 2 AAA alkaline batteries. Install with polarity (+/-) as shown inside the battery compartment.
3. Replace battery cover and tighten screw.



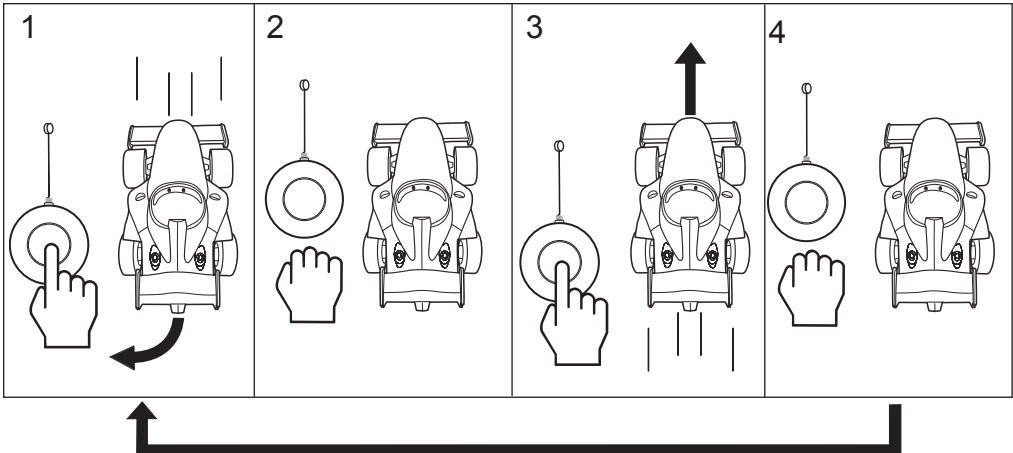
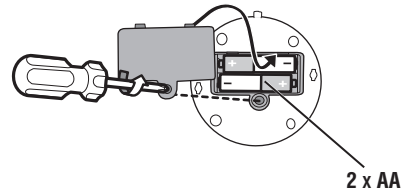
#### Transmitter

1. Unscrew the battery cover with a Phillips head screwdriver (not included).
2. Transmitter requires 2 AA alkaline batteries. Install with polarity (+/-) as shown inside the battery compartment.
3. Replace battery cover and tighten screw.



## III. OPERATION

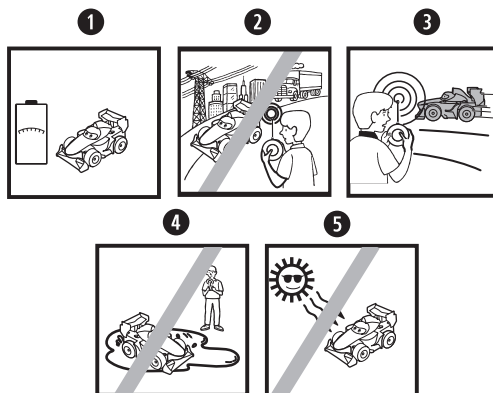
Your vehicle is designed for one-button easy control. Switch vehicle on, press button and vehicle will reverse left. Release button and it will stop. Press again and vehicle will move forward. Let go and it will stop. Continue to press and release button to alternate between forward and reverse left.





## IV. QUICK TIPS

- ❶ When your vehicle starts to lose power, it may lose functionality or performance. It's time for fresh batteries. Your vehicle's running time may change depending on your driving style.
- ❷ Radio interference can affect your vehicle's performance. Interference can be caused by other R/C vehicles running on the same frequency, electrical wires, large buildings or CB radios. Try to stay away from these!
- ❸ Point your transmitter up - not down toward your vehicle. If your vehicle gets too far away, it won't work properly.
- ❹ Don't drive your vehicle in sand or through water or snow. If your vehicle does get wet, wipe it with a towel and allow to dry completely overnight.
- ❺ Don't store your vehicle near heat or in direct sunlight. Always turn switches OFF and remove all batteries for storage.
- ❻ If the vehicle malfunctions, please turn the power OFF and ON again. This should reset your vehicle and let you resume normal operation.



## V. BATTERY SAFETY INFORMATION

In exceptional circumstances batteries may leak fluids that can cause a chemical burn injury or ruin your product. To avoid battery leakage:

- Non-rechargeable batteries are not to be recharged.
- Rechargeable batteries are to be removed from the product before being charged (if designed to be removable).
- Rechargeable batteries are only to be charged under adult supervision (if designed to be removable).
- Do not mix alkaline, standard (carbon-zinc), or rechargeable (nickel-cadmium) batteries.
- Do not mix old and new batteries.
- Only batteries of the same or equivalent type as recommended are to be used.
- Batteries are to be inserted with the correct polarity.
- Exhausted batteries are to be removed from the product.
- The supply terminals are not to be short-circuited.
- Dispose of battery(ies) safely.
- Do not dispose of this product in a fire. The batteries inside may explode or leak.

### Battery Performance Note:

For best performance use regular or high-performance alkaline batteries (where disposable batteries are called for). If your vehicle is supplied with standard (carbon-zinc) batteries for initial use and/or demonstration purposes, we recommend replacing them with alkaline batteries when necessary. Battery life may vary depending on battery brand.

## VI. CONSUMER INFORMATION

Note to Adults: To ensure that the child's play is both safe and fun, please review all operating instructions and safety rules with your child.

### Safety Tips

- NEVER drive your vehicle on streets! They're for real cars!
- DO NOT pick up the vehicle while in motion.
- Keep fingers, hair and loose clothing away from the tires and the wheel hubs while the vehicle is switched ON.
- Adult supervision is recommended when this vehicle is being operated.
- To avoid accidental operation, remove all batteries when not in use.



Protect the environment by not disposing of this product with household waste (2002/96/EC). Check your local authority for recycling advice and facilities.



© 2010 Mattel, Inc. All Rights Reserved.  
Mattel, Inc., 636 Girard Avenue, East Aurora, NY  
14052, U.S.A. Consumer Relations 1-888-557-8926.  
• Mattel U.K. Ltd., Vanwall Business Park, Maidenhead  
SL6 4UB. Helpline 01628 500303. • Mattel Australia  
Pty., Ltd., Richmond, Victoria. 3121. Consumer  
Advisory Service - 1300 135 312. • Mattel East Asia  
Ltd., Room 1106, South Tower, World Finance Centre,  
Harbour City, Tsimshatsui, HK, China. • Diimport &  
Diedarkan Oleh: Mattel SEA Ptd Ltd.(993532-P) Lot  
13.5, 13th Floor, Menara Lien Hoe, Persiaran Tropicana  
Golf Country Resort, 47410 PJ. Tel:03-78803817,  
Fax:03-78803867. service.mattel.com

© Disney/Pixar

**This device complies with Part 15 of the FCC Rules.**

**Operation is subject to the following two conditions:**

(1) This device may not cause harmful interference, and  
(2) this device must accept any interference received,  
including interference that may cause undesired  
operation.

• This equipment has been tested and found to comply  
with the limits for a Class B digital device, pursuant  
to part 15 of the FCC rules. These limits are designed  
to provide reasonable protection against harmful  
interference in a residential installation. This equipment  
generates, uses and can radiate radio frequency energy  
and, if not installed and used in accordance with the  
instructions, may cause harmful interference to radio  
communications. However, there is no guarantee that  
interference will not occur in a particular installation.  
If this equipment does cause harmful interference to  
radio or television reception, which can be determined  
by turning the equipment off and on, the user is  
encouraged to try to correct the interference by one or  
more of the following measures:

- Reorient or relocate the receiving antenna.
- Increase the separation between the equipment and  
receiver.
- Connect the equipment into an outlet on a circuit  
different from that to which the receiver is connected.
- Consult the dealer or an experienced radio/TV  
technician for help.

NOTE: Changes or modifications not expressly approved  
by the manufacturer responsible for compliance could  
void the user's authority to operate the equipment.