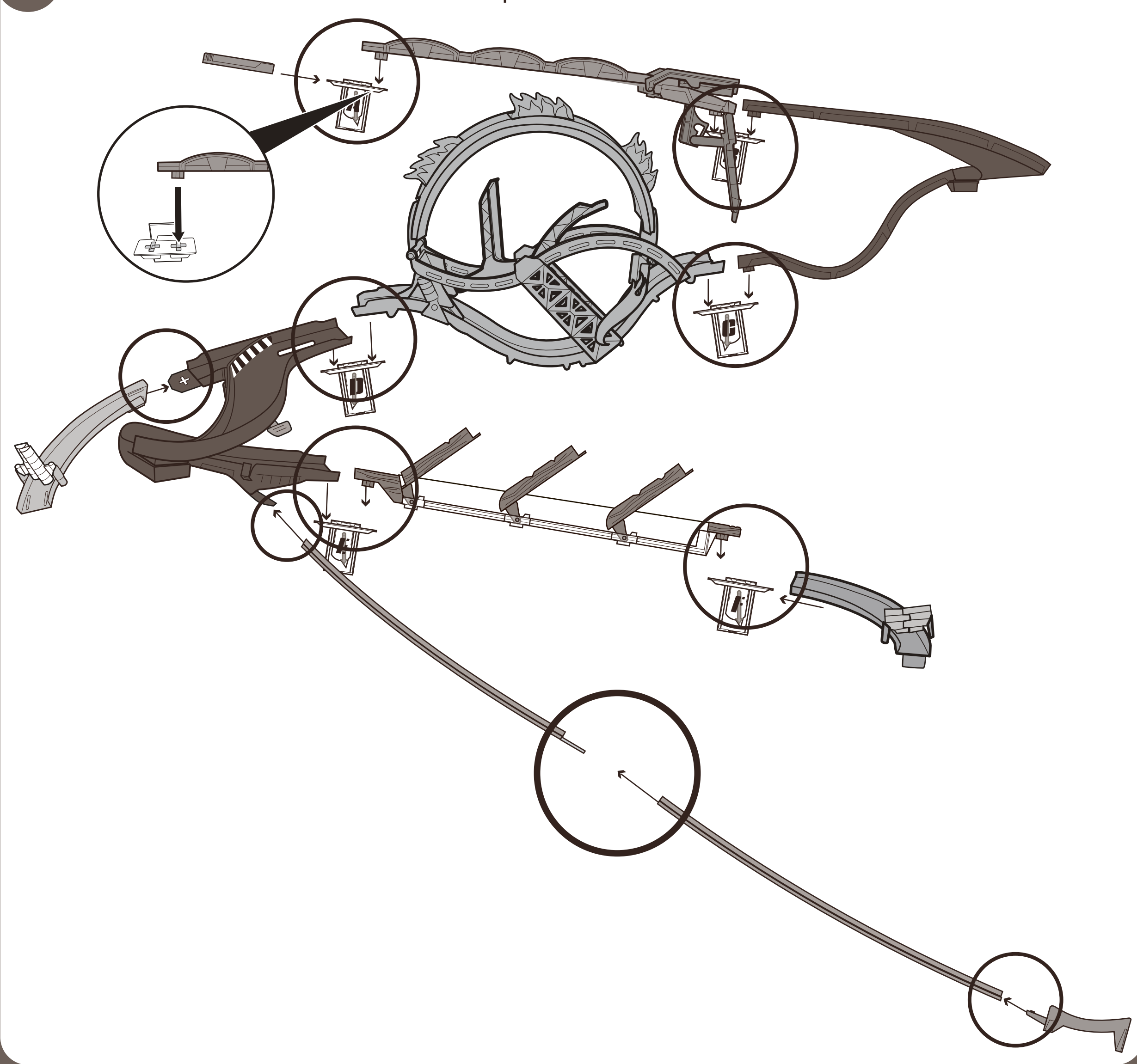
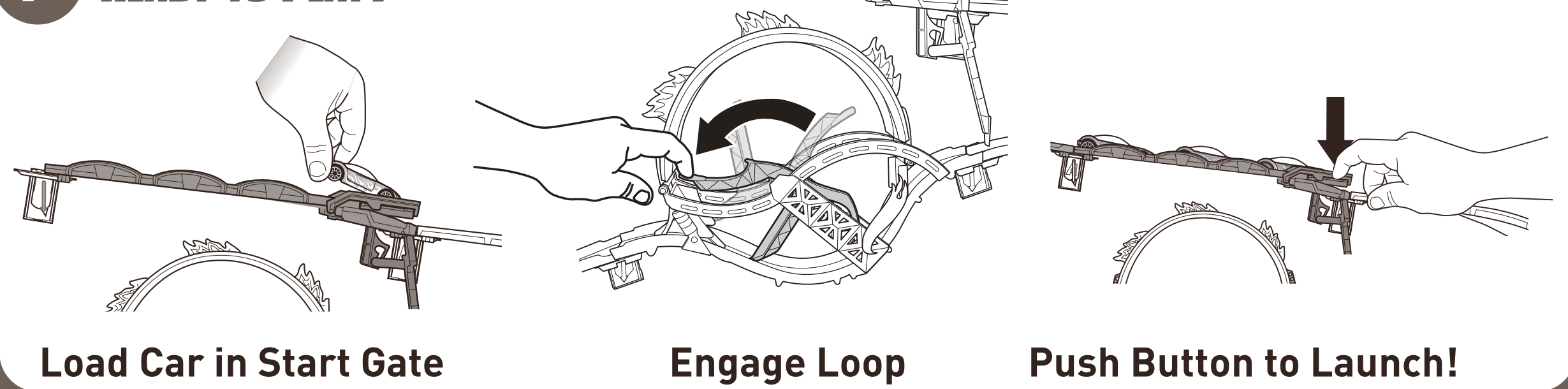


SEE OTHER SIDE FOR STEPS 1-5

6 HANG TRACK ON WALL Once brackets are mounted and TEMPLATE IS REMOVED FROM WALL, attach track pieces as shown.

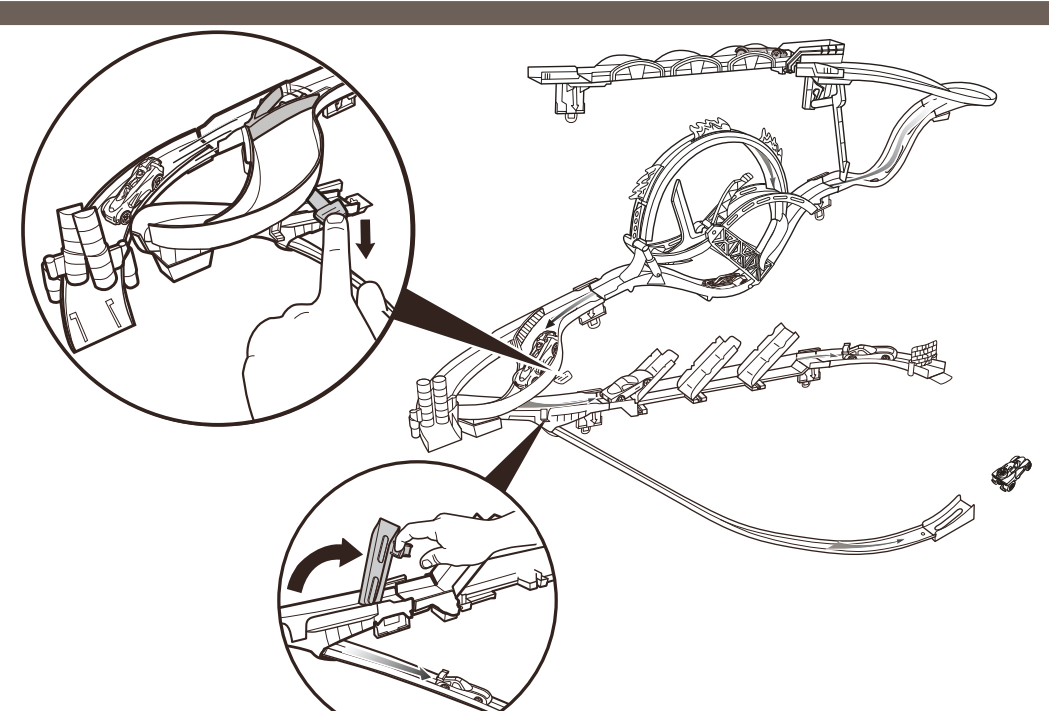


7 READY TO PLAY?

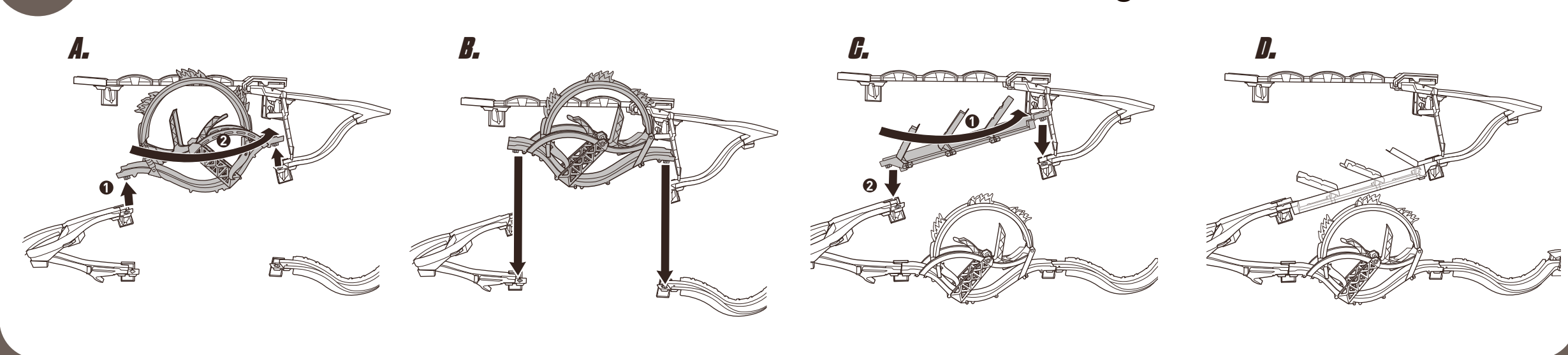


8 DIVERTERS & SWITCHES

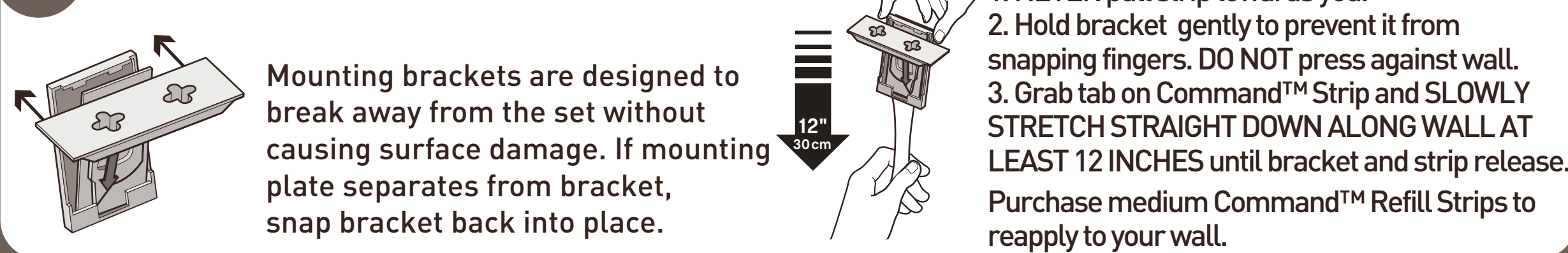
Send your cars in different directions!



9 FURTHER PLAY Stunts and accessories can be interchanged!



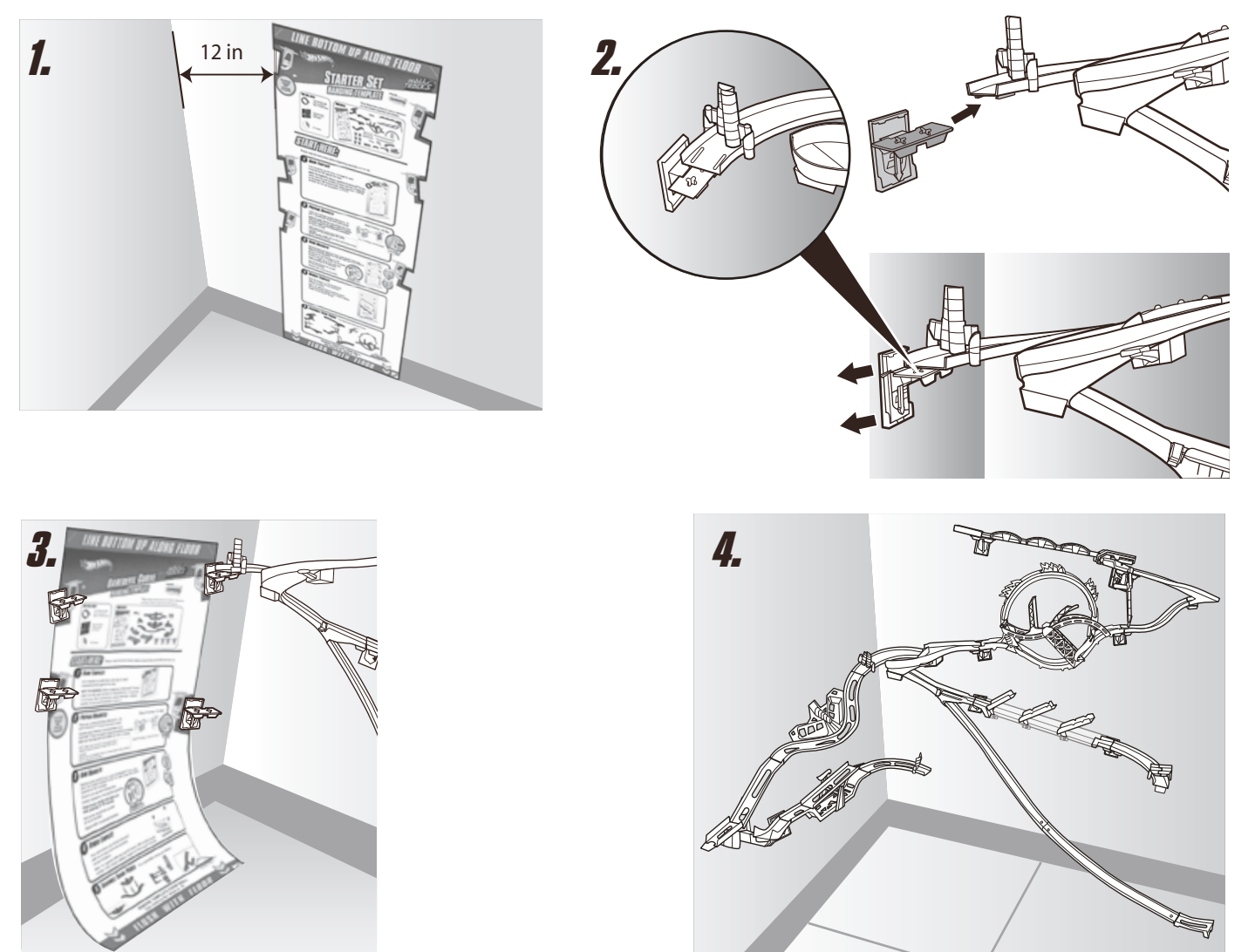
10 REATTACHING & REMOVAL



EXPANSION

To attach Wall Tracks™ Daredevil Curve™ or Downhill Flip Drop™ stunt sets around a corner:

1. Hang Starter Set with left side of template 12-inches from corner.
2. Insert Stunt Set Bracket A at the end of the Starter Set left-hand curve.
3. Line up Notch A from Stunt Set template to newly placed Bracket A. Note: Stunt Set template needs to be square with wall. Bottom of template will extend past floor.
4. Continue with directions on Stunt Set template for hanging the Stunt Set.



Command™ Strips are a product of 3M. For further information visit command.com.
 NOTE: Apply strips to surfaces above 50°F (10°C). Adhesive could lose adhesion above 105°F (40°C).
 CAUTION: DO NOT use with wallpaper. May not adhere well to vinyl surfaces. DO NOT hang items over beds.
 3M and Command are trademarks of 3M.
 © 2010 3M. All Rights Reserved.

LINE BOTTOM UP ALONG FLOOR



START HERE:

Please read all instructions before beginning assembly and set-up.

1 HANG TEMPLATE

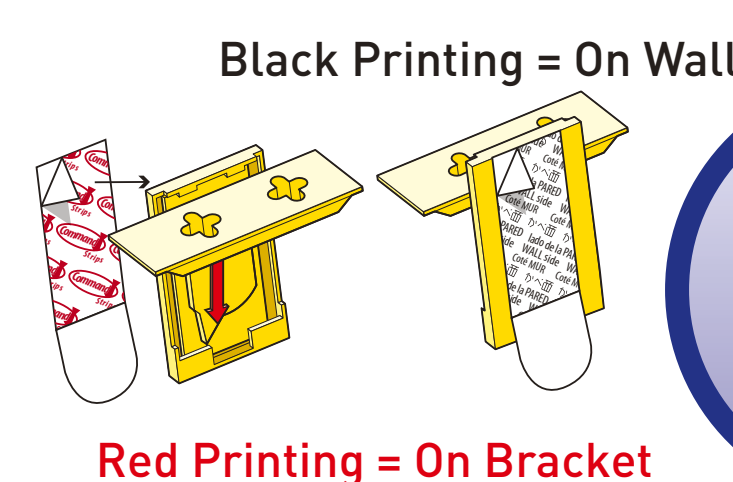
Line template up with floor and tape to wall. It should lay flat against the wall.

NOTE TO PARENTS: Before applying Command™ Strips make sure the wall surface is clean and dry. If cleaning is necessary 3M recommends using isopropyl rubbing alcohol. Do not use household cleaners.



2 PREPARE BRACKETS

There are 6 yellow brackets [Marked A - F] and 7 Command™ Strips (one extra strip). Separate strips. Remove red-printed liner from Command™ Strips and apply to back of brackets as shown. Make sure the strip tab is accessible for future removal.



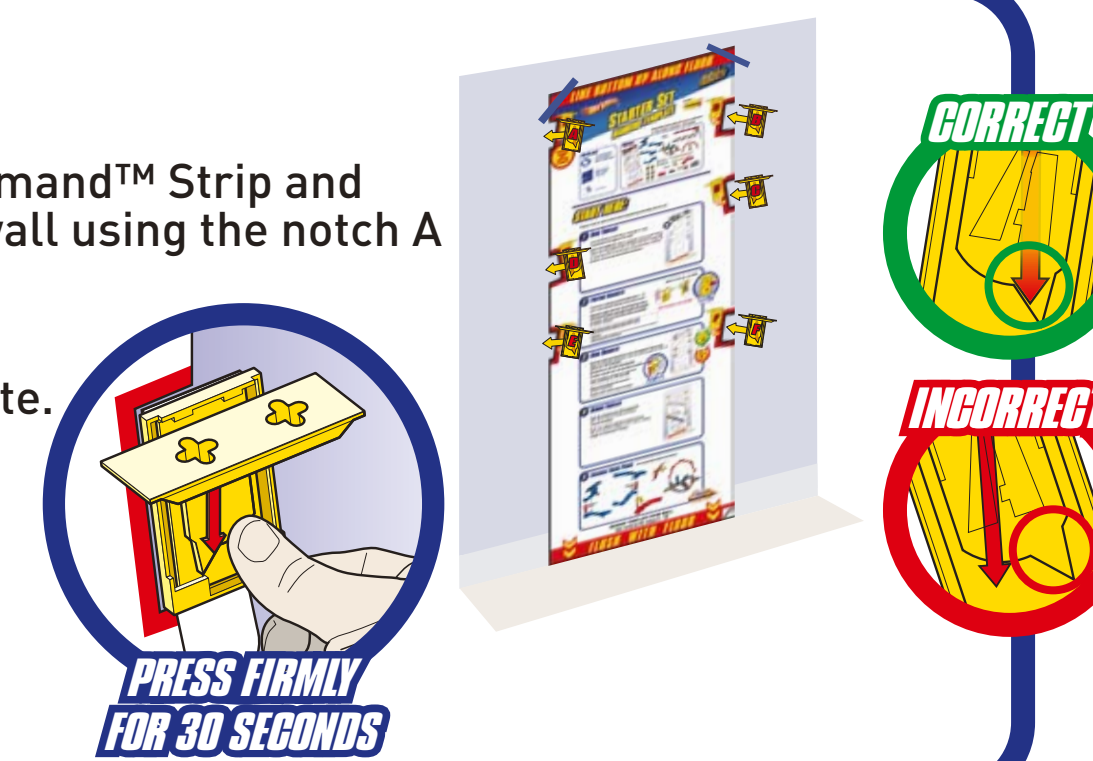
NOTE: Apply strips to surfaces above 50°F (10°C). Adhesive could lose adhesion above 105°F (40°C).
CAUTION: DO NOT use with wallpaper. May not adhere well to vinyl surfaces. DO NOT hang items over beds.

3 HANG BRACKETS

Remove black-printed liner from Command™ Strip and place the bracket marked A onto the wall using the notch A outline on the template.

Brackets are not interchangeable. Bracket should not overlap the template. **Press bracket firmly onto wall and hold, pressing for 30 seconds.**

Red arrow should line up with arrow on bracket. Repeat with remaining brackets.



4 REMOVE TEMPLATE

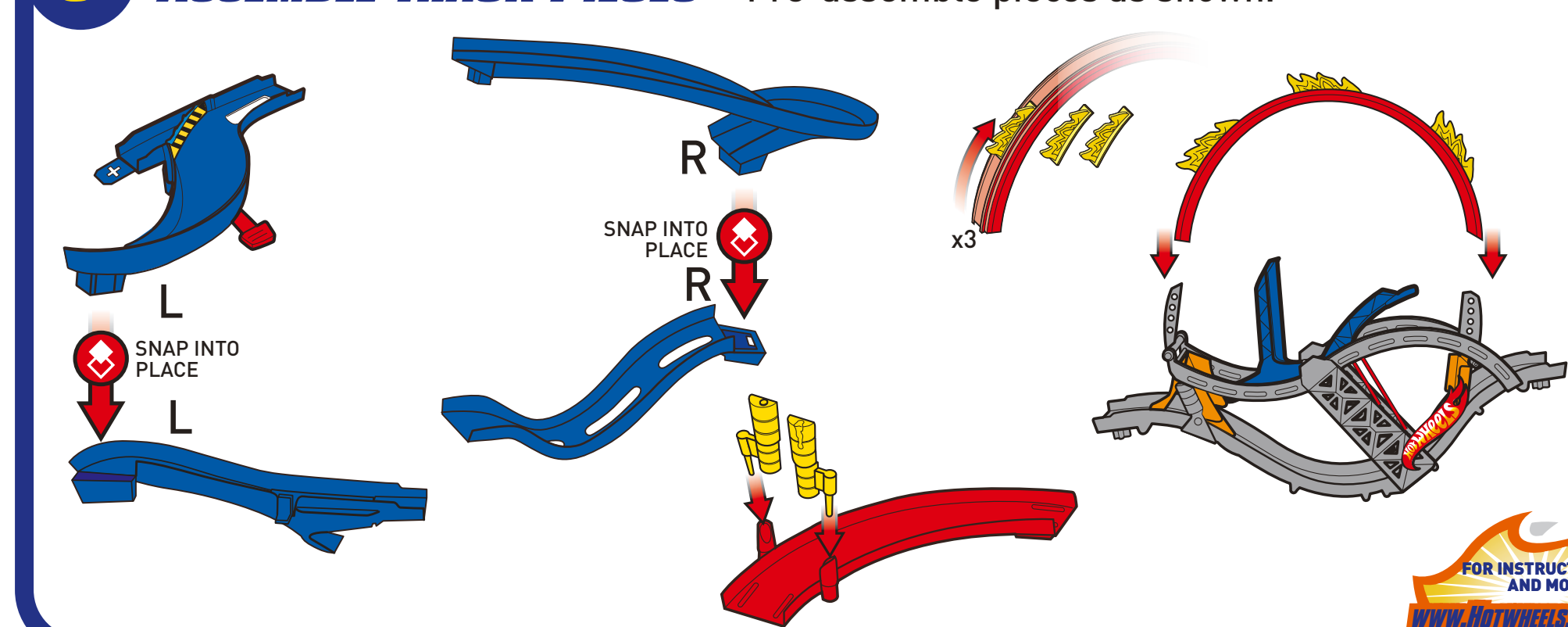
Once all brackets are firmly attached with red arrows correctly oriented, remove template.

Note: For optimal adhesion performance 3M recommends waiting 1 hour before adding weight to Command™ Strips.



5 ASSEMBLE TRACK PIECES

Pre-assemble pieces as shown.



REMOVE TEMPLATE FROM WALL
 See reverse for steps 6 - 10

FLUSH WITH FLOOR

SEE BACK