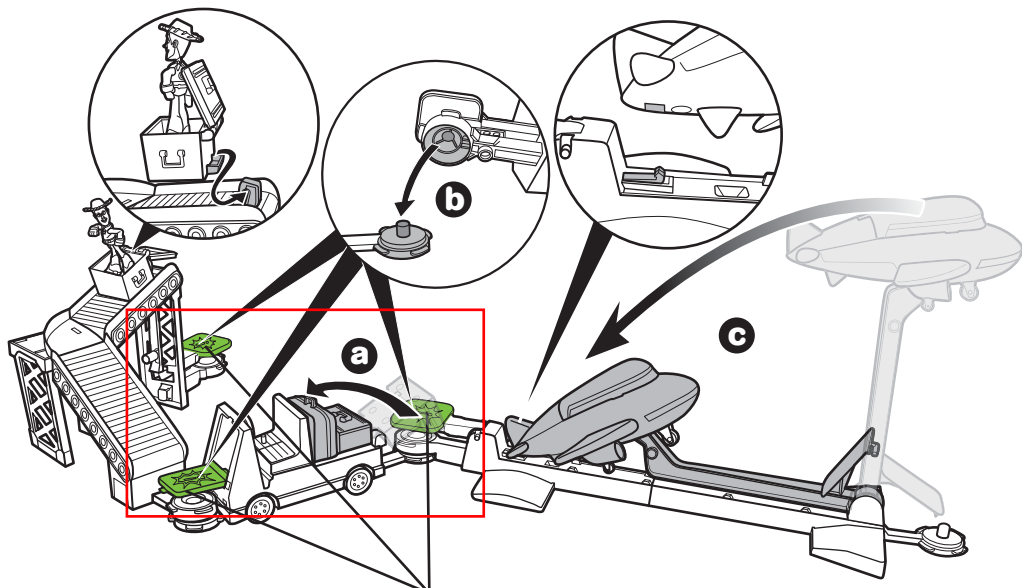


**INSTRUCTION SHEET  
SPECIFICATIONS**

Toy: TS ACTION LINK AIRPORT ADVENTURE  
 Toy No.: V1652  
 Part No.: 0920  
 Trim Size: A4  
 Folded Size: \_\_\_\_\_  
 Type of Fold: \_\_\_\_\_  
 # colors: 2  
 Colors: Black+PMS368C  
 Paper Stock: White Offset  
 Paper Weight: 70 lb.  
 EDM No.: \_\_\_\_\_

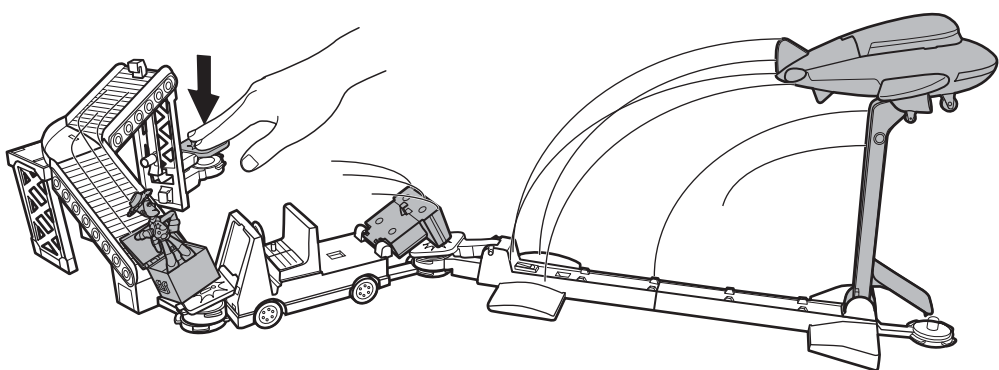
**TO PLAY**

**1 SET UP STUNTS.**



FOR SET UP AND RESET,  
ALL GREEN ACTIVATION POINTS MUST BE CLEAR BEFORE MOVING TO STEP 2.

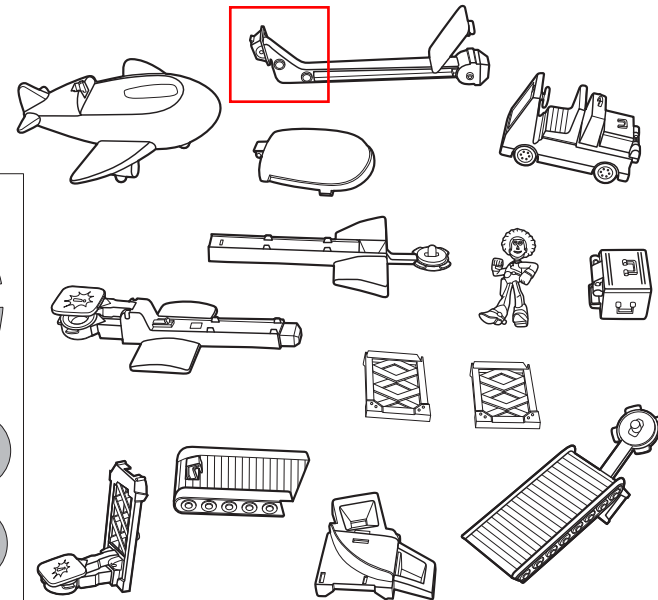
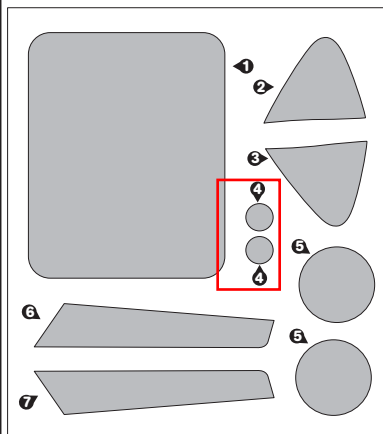
**2 PRESS FOR CHAIN REACTION.**



To play again, reset to Step 1 above.

TIP: Switch order of stunts for more play.

**CONTENTS**



© 2010 Mattel, Inc. All Rights Reserved.

Mattel, Inc., 636 Girard Avenue, East Aurora, NY 14052, U.S.A. Consumer Relations 1-800-524-8697. You may call us free at 1-800-524-8697. Mattel U.K. Ltd., Vanwall Business Park, Maidenhead SL6 4UB. Helpline 01628 500303. Mattel Australia Pty., Ltd., Richmond, Victoria. 3121. Consumer Advisory Service - 1300 135 312. Mattel East Asia Ltd., Room 1106, South Tower, World Finance Centre, Harbour City, Tsimshatsui, HK, China. Diimport & Diedarkan Oleh: Mattel SEA Ptd Ltd.(993532-P) Lot 13.5, 13th Floor, Menara Lien Hoe, Persiaran Tropicana Golf Country Resort, 47410 PJ. Tel:03-78803817, Fax:03-78803867.

V1652-0920

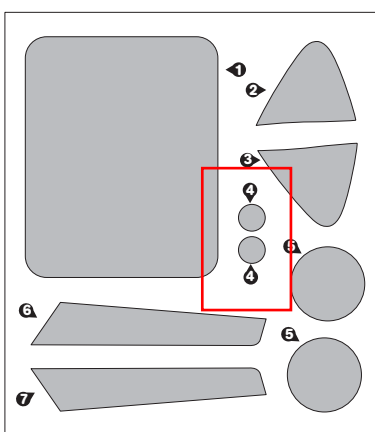


© Disney/Pixar

**SERVICE.MATTEL.COM**

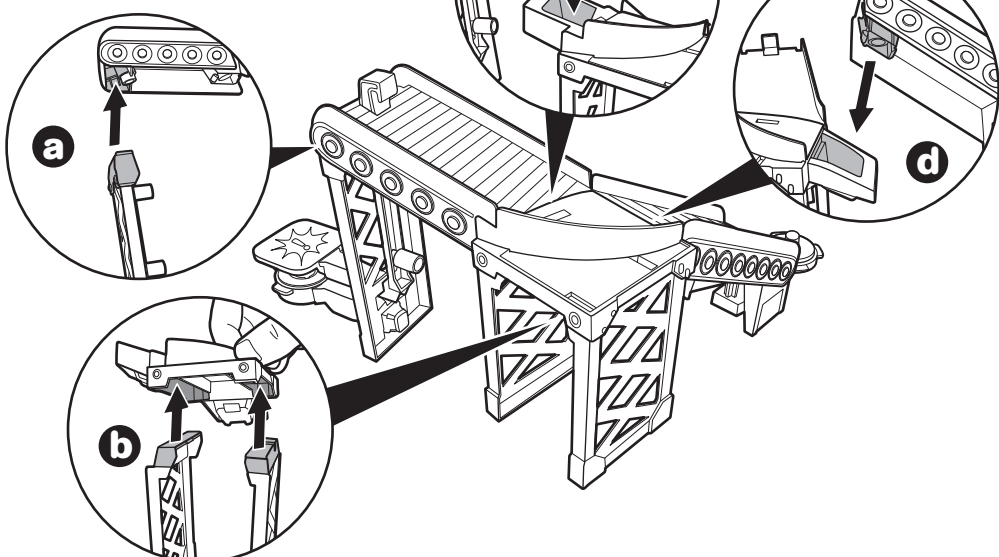
**APPLY LABELS**

HELPFUL HINT: APPLY LABELS BEFORE ASSEMBLY.

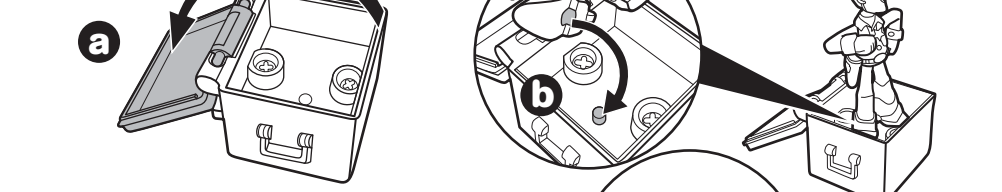


**ASSEMBLY**

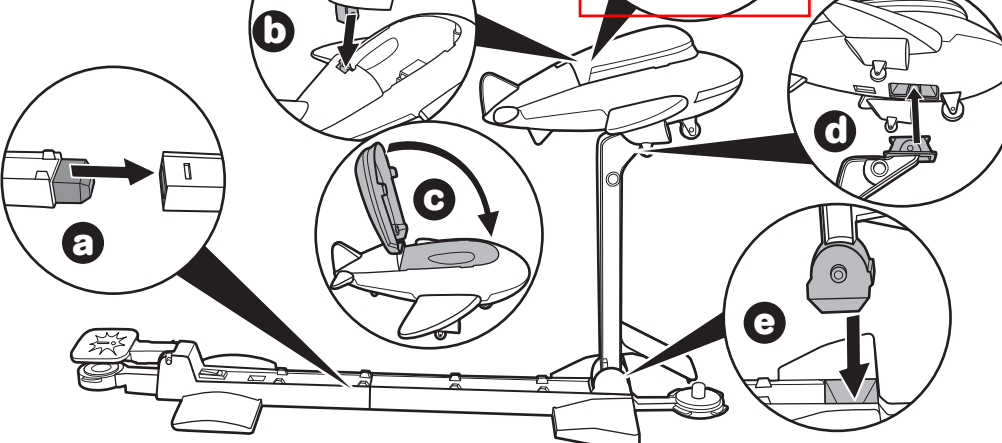
**1**



**2**



**3**



**4**

