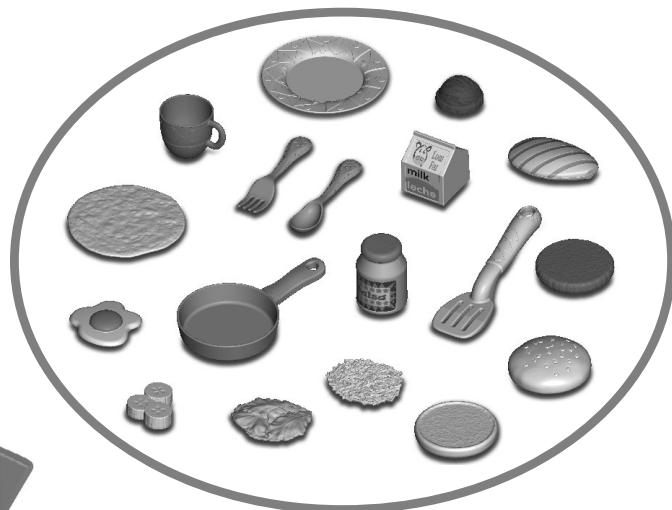


Fisher-Price®

V2129



Please keep this instruction sheet for future reference, as it contains important information.

Adult assembly is required. Required tool: Phillips Screwdriver (not included).

Requires three "AA" batteries for operation (included). Check plastic parts regularly and if broken or cracked, dispose of them properly.

Wipe this toy with a clean cloth dampened with a mild soap and water solution, Do not immerse.

This toy has no consumer serviceable parts. Do not take this toy apart.

www.fisher-price.com

Consumer Information



CONSUMER ASSISTANCE

1-800-432-5437 (US & Canada)
1300 135 312 (Australia)

service.fisher-price.com

Fisher-Price, Inc., 636 Girard Avenue, East Aurora, NY 14052.
Hearing-impaired consumers: 1-800-382-7470.

Outside the United States:

Canada: Mattel Canada Inc., 6155 Freemont Blvd.,
Mississauga, Ontario L5R 3W2; www.service.mattel.com.

Great Britain: Mattel UK Ltd, Vanwall Business Park,
Maidenhead SL6 4UB. Helpline: 01628 500303.
www.service.mattel.com/uk

Mattel Europa, B.V., Gondel 1, 1186 MJ Amstelveen, Nederland.

Australia: Mattel Australia Pty. Ltd., 658 Church Street,
Locked Bag #870, Richmond, Victoria 3121 Australia.

New Zealand: 16-18 William Pickering Drive,
Albany 1331, Auckland.

Battery Safety Information

In exceptional circumstances, batteries may leak fluids that can cause a chemical burn injury or ruin your product.

To avoid battery leakage:

- Do not mix old and new batteries or batteries of different types: alkaline, standard (carbon-zinc) or rechargeable (nickel-cadmium).
- Insert batteries as indicated inside the battery compartment.
- Remove batteries during long periods of non-use. Always remove exhausted batteries from the product. Dispose of batteries safely. Do not dispose of this product in a fire. The batteries inside may explode or leak.
- Never short-circuit the battery terminals.
- Use only batteries of the same or equivalent type as recommended.
- Do not charge non-rechargeable batteries.
- Remove rechargeable batteries from the product before charging.
- If removable, rechargeable batteries are used, they are only to be charged under adult supervision.

FCC Statement (United States Only)

This equipment has been tested and found to comply with the limits for a Class B digital device, pursuant to Part 15 of the FCC Rules. These limits are designed to provide reasonable protection against harmful interference in a residential installation. This equipment generates, uses and can radiate radio frequency energy and, if not installed and used in accordance with the instructions, may cause harmful interference to radio communications. However, there is no guarantee that interference will not occur in a particular installation. If this equipment does cause harmful interference to radio or television reception, which can be determined by turning the equipment off and on, the user is encouraged to try to correct the interference by one or more of the following measures:

- Reorient or relocate the receiving antenna.
 - Increase the separation between the equipment and receiver.
 - Consult the dealer or an experienced radio/TV technician for help.
- Note: Changes or modifications not expressly approved by the manufacturer responsible for compliance could void the user's authority to operate the equipment.

This device complies with Part 15 of the FCC Rules. Operation is subject to the following two conditions: (1) this device may not cause harmful interference and (2) this device must accept any interference received, including interference that may cause undesired operation.

ICES-003

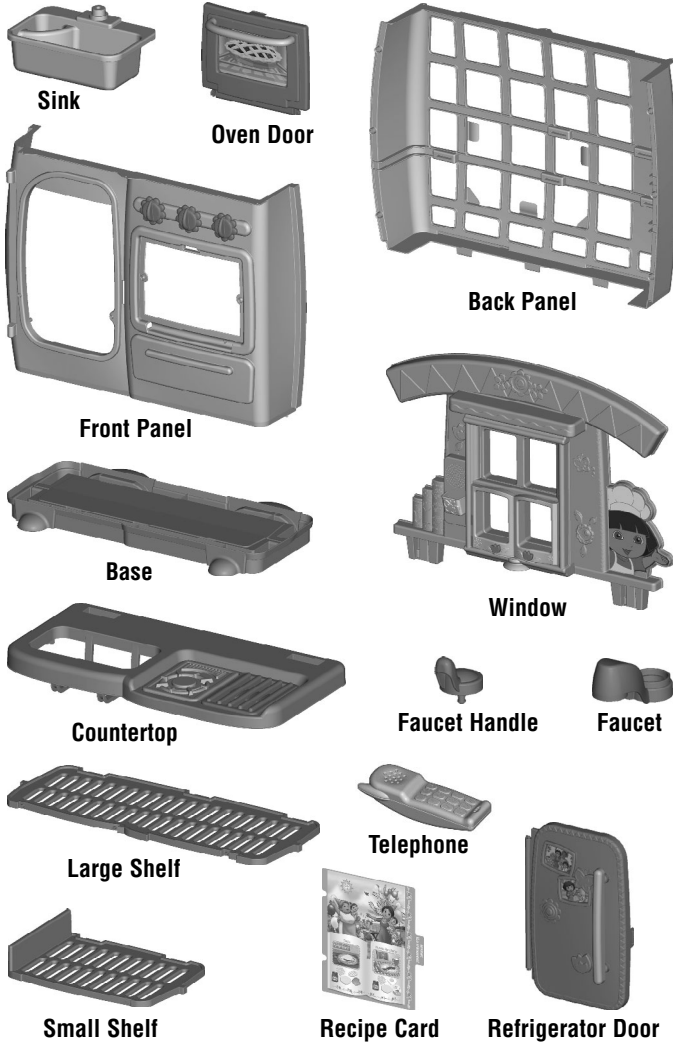
- This Class B digital apparatus complies with Canadian ICES-003.
- Operation is subject to the following two conditions: (1) this device may not cause harmful interference and (2) this device must accept any interference received, including interference that may cause undesired operation.

NMB-003

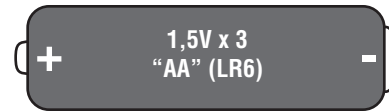
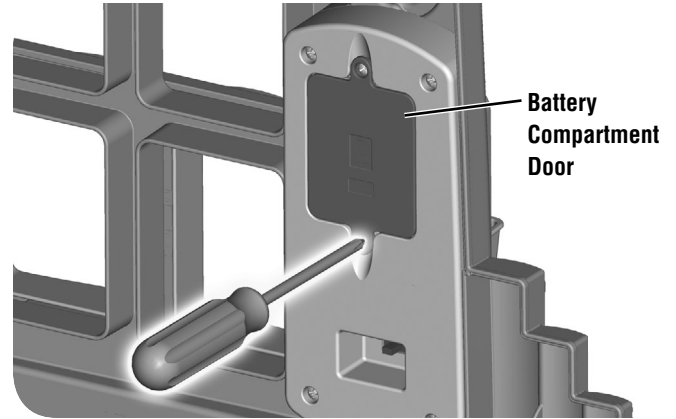
- Cet appareil numérique de la classe B est conforme à la norme NMB-003 du Canada.
- L'utilisation de ce dispositif est autorisée seulement aux conditions suivantes : (1) il ne doit pas produire de brouillage et (2) l'utilisateur du dispositif doit être prêt à accepter tout brouillage radioélectrique reçu, même si ce brouillage est susceptible de compromettre le fonctionnement du dispositif.

© 2011 Viacom International Inc. All Rights Reserved.
Nickelodeon, Nick Jr., Dora the Explorer and all related titles, logos and characters are trademarks of Viacom International Inc.
Fisher Price, Inc., a subsidiary of Mattel, Inc., East Aurora, NY 14052 U.S.A.
©2011 Mattel, Inc. All Rights Reserved. ®and™ designate U.S. trademarks of Mattel, Inc., unless otherwise indicated.

Assembled Parts



Battery Replacement



For best performance, we recommend replacing the batteries that came with this toy with three, new "AA" (LR6) alkaline batteries.

- Locate the battery compartment on the back of the window.
- Loosen the screws in the battery compartment door and remove the door.
- Remove the exhausted batteries and dispose of them properly.
- Insert three "AA" (LR6) **alkaline** batteries in the battery compartment.

Hint: We recommend using **alkaline** batteries for longer battery life.

- Replace the battery compartment door and tighten the screws.
- If this toy begins to operate erratically, you may need to reset the electronics. Slide the power/volume switch off and then back on.
- When sounds became faint or stop, it's time for an adult to replace batteries!



- Protect the environment by not disposing of this product with household waste (2002/96/EC). Check your local authority for recycling advice and facilities (Europe only).

⚠ CAUTION

This package contains small parts in an unassembled state. Adult assembly is required.

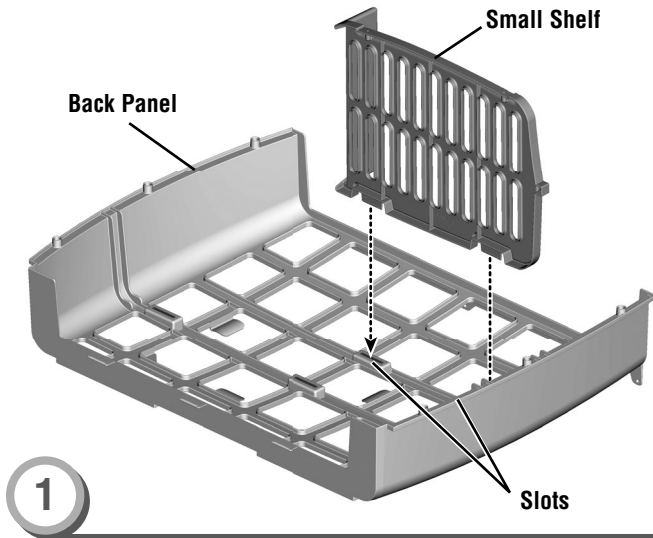
Fastener Shown Actual Size



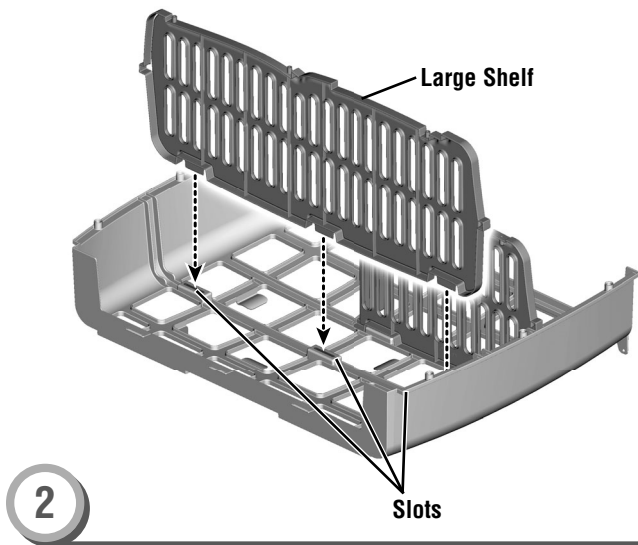
#6 x 1/2" (1,3 cm) Screw – 23

Note: Tighten or loosen all screws with a Phillips screwdriver. Do not over-tighten.

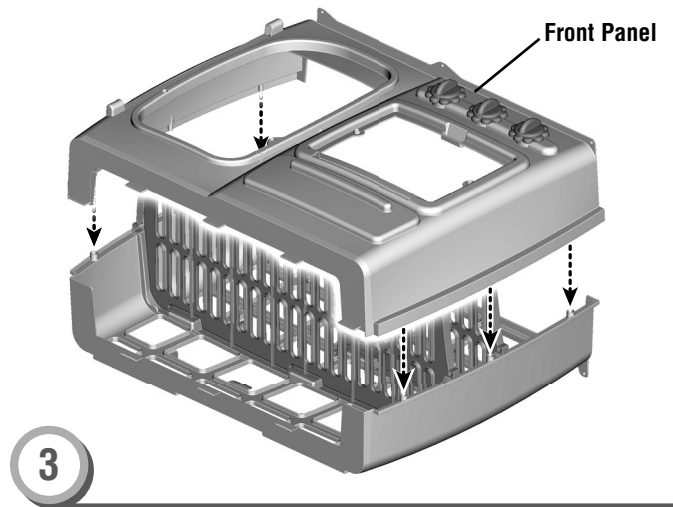
Assembly



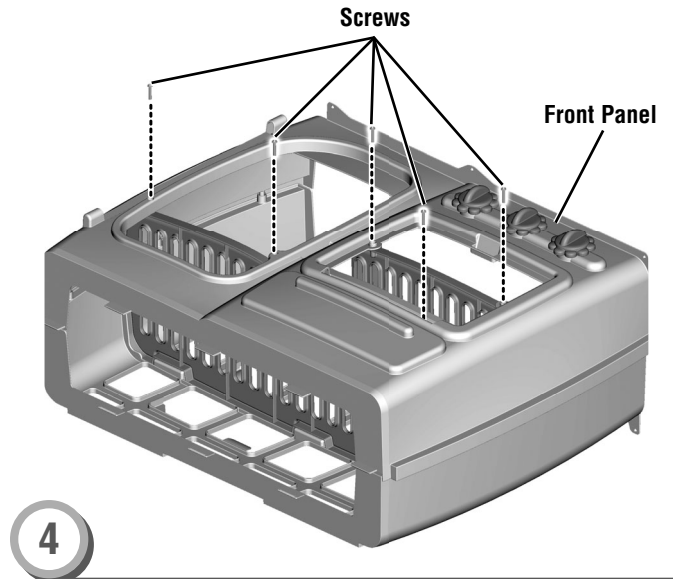
- Place the back panel face down on a flat surface.
- Fit both tabs on the small shelf into the slots in the back panel.



- Fit all three tabs on the large shelf into the slots in the back panel.

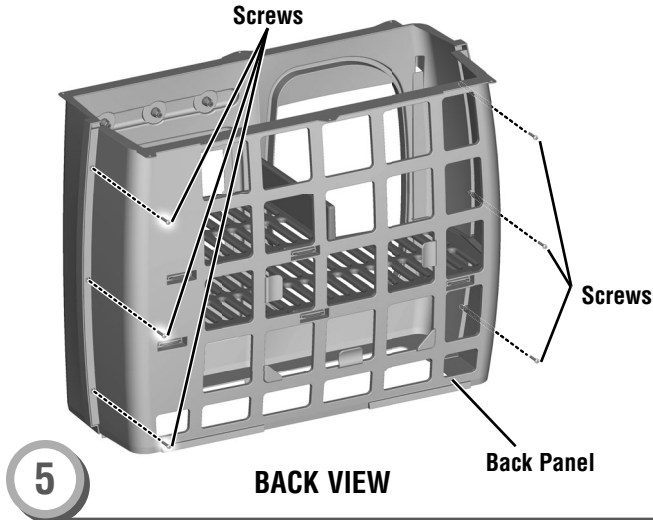


- Fit the front panel onto the shelves and back panel.

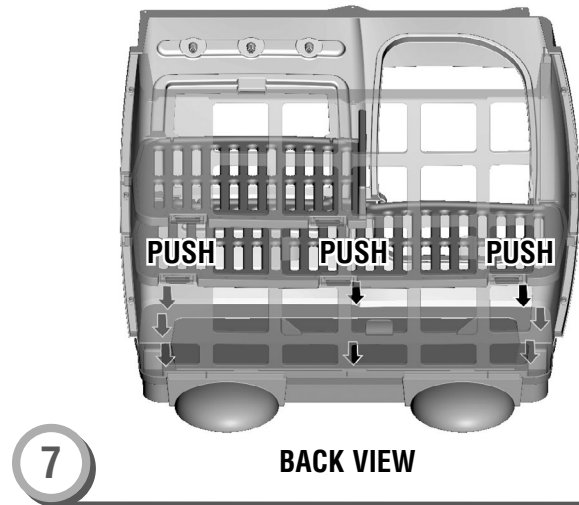


- Insert five screws into the front panel and tighten.

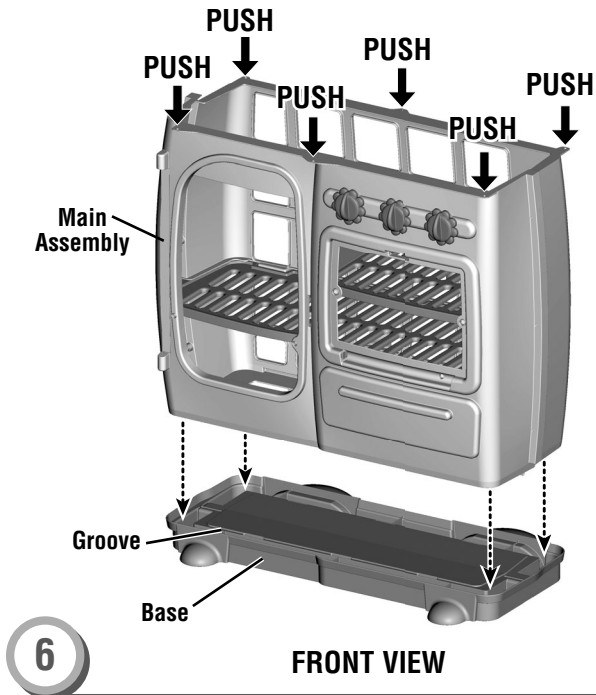
Assembly



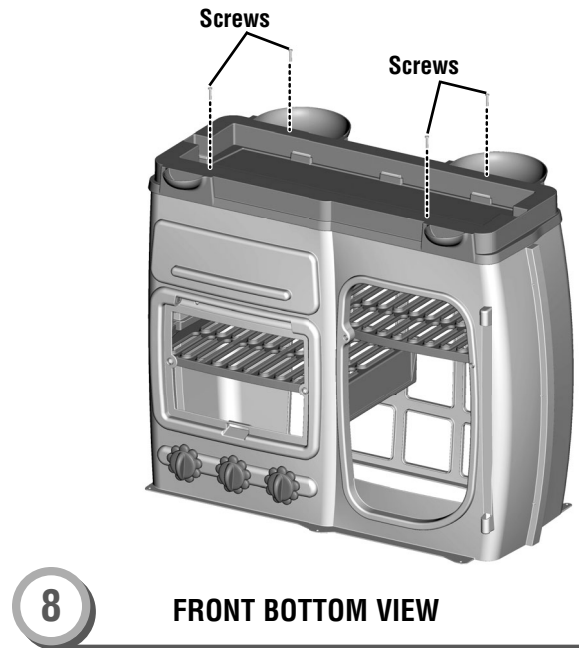
- Stand the assembly upright.
- Insert six screws into the back panel and tighten.



- To ensure that the main assembly is secured to the base, reach through the back panel and push down near each corner and the center of the main assembly.

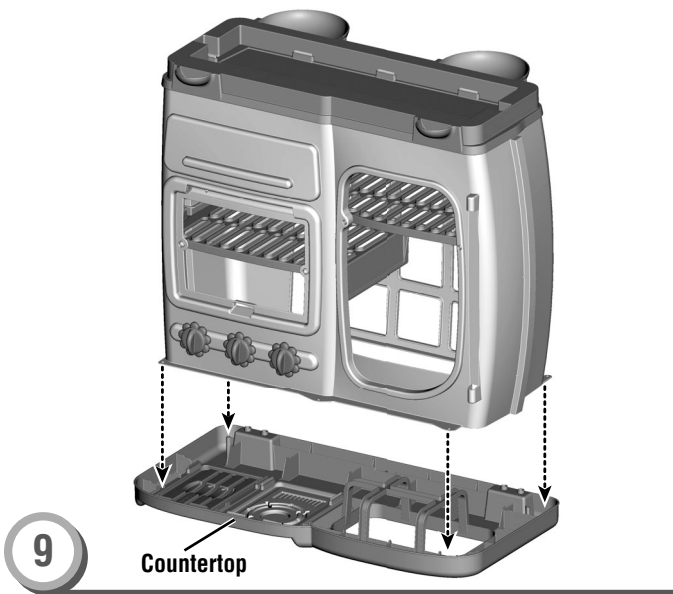


- Fit the main assembly into the grooved area around the base.
- Push the main assembly until it “snaps” in place.

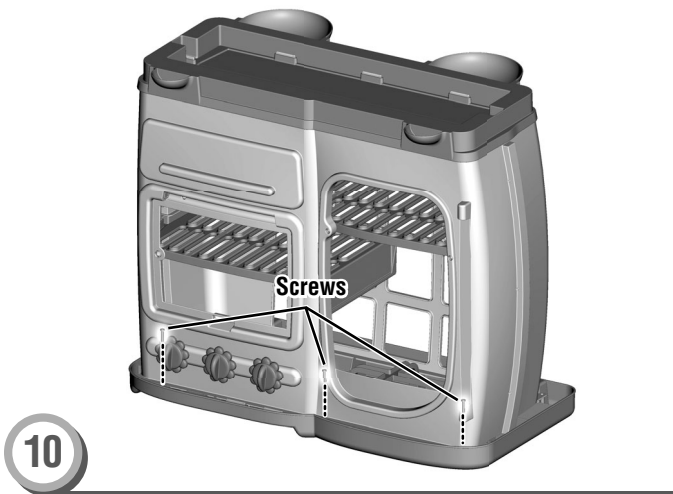


- Turn the assembly over.
- Insert four screws into the base and tighten.

Assembly



- Place the countertop face down on a flat surface.
- Fit the main assembly to the countertop.

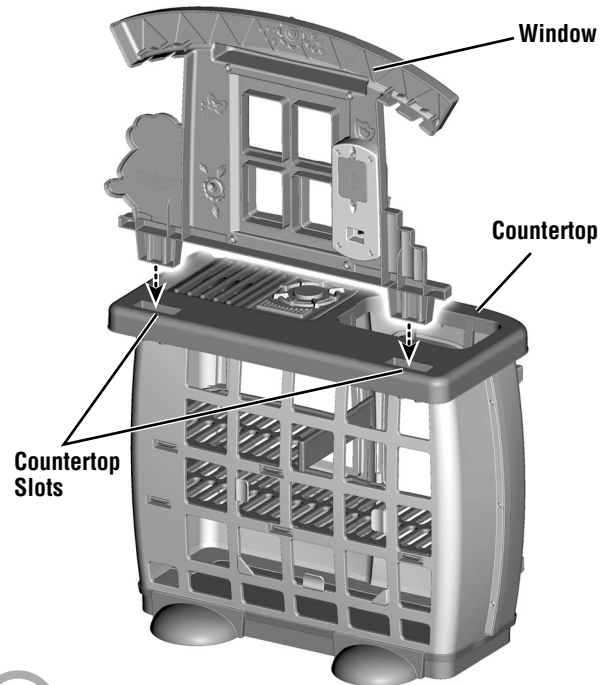


- Insert three screws into the pegs on the front of the main assembly and tighten.



BACK BOTTOM VIEW

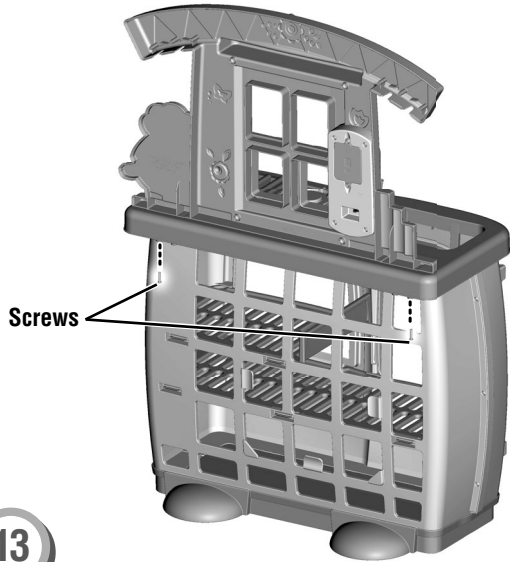
- From the back of the assembly, insert three screws into the pegs in the main assembly and tighten.



BACK VIEW

- Turn the assembly upright.
- Fit the tabs on the window into the slots in the countertop.

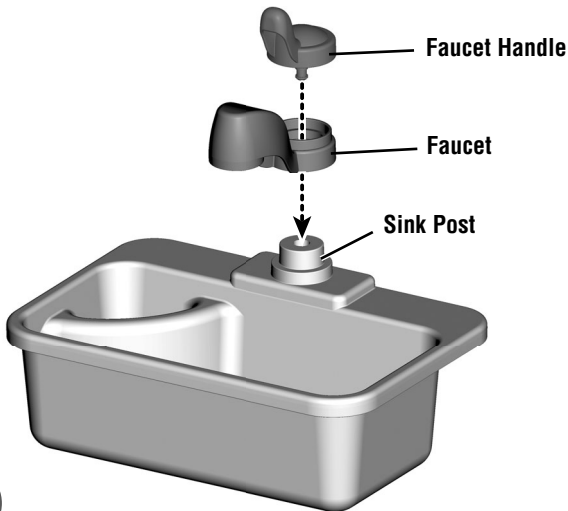
Assembly



13

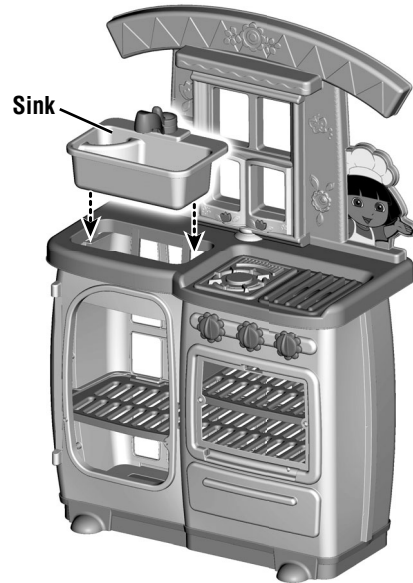
- Insert two screws up into the countertop, as shown, and tighten.

Hint: Tip the assembly forward and lean it against a surface to complete this assembly step.



14

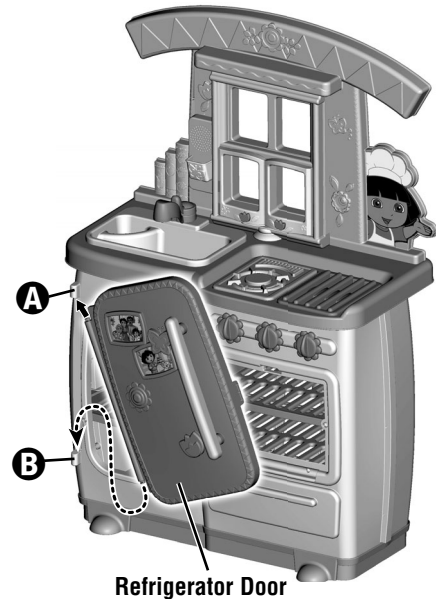
- Fit the faucet onto the post on the sink.
- Fit the faucet handle into the faucet post. Push down on faucet handle until it “snaps” into place.



15

FRONT VIEW

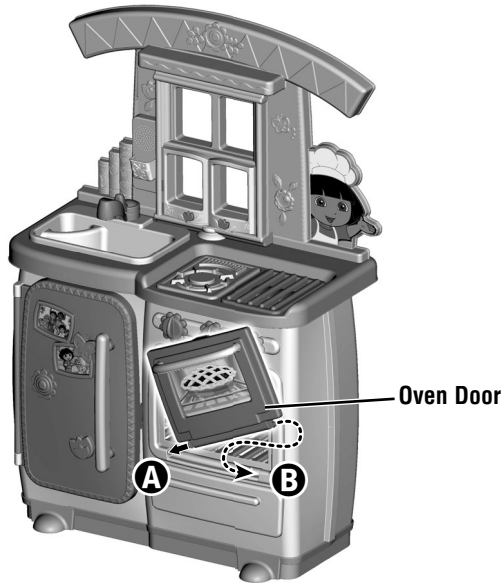
- Fit the sink into the large opening in the countertop, as shown.



16

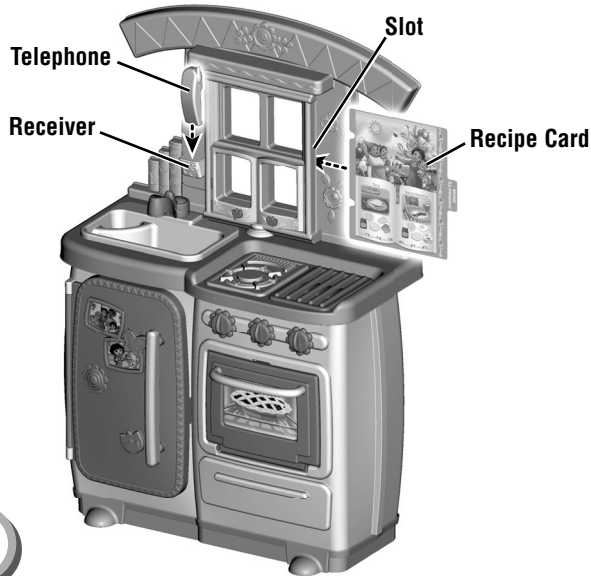
- At an angle, fit the upper peg on the refrigerator door into the hole in the upper hinge **A**.
- Now, push to “snap” the lower peg on the refrigerator door into the hole in the lower hinge **B**.

Assembly



17

- At an angle, fit one of the pegs on the oven door into a hole in the hinge **A**.
- Now, push to fit the other peg on the oven door into the other hole in the hinge **B**.



18

- Fit the telephone into the receiver.
- Fit the recipe card into the slot in the window.

Let's Go on a Cooking Adventure



- Before first time use, wash all food, the pan, and cooking/eating/drinking utensils in hot, soapy water.
- Slide the power/volume switch to ON with low volume ◀ or ON with high volume ▶▶.
- With a recipe card in the window slot, press the recipe buttons to "cook" meals.
- When you are finished playing with this toy, slide the power/volume switch OFF O.