

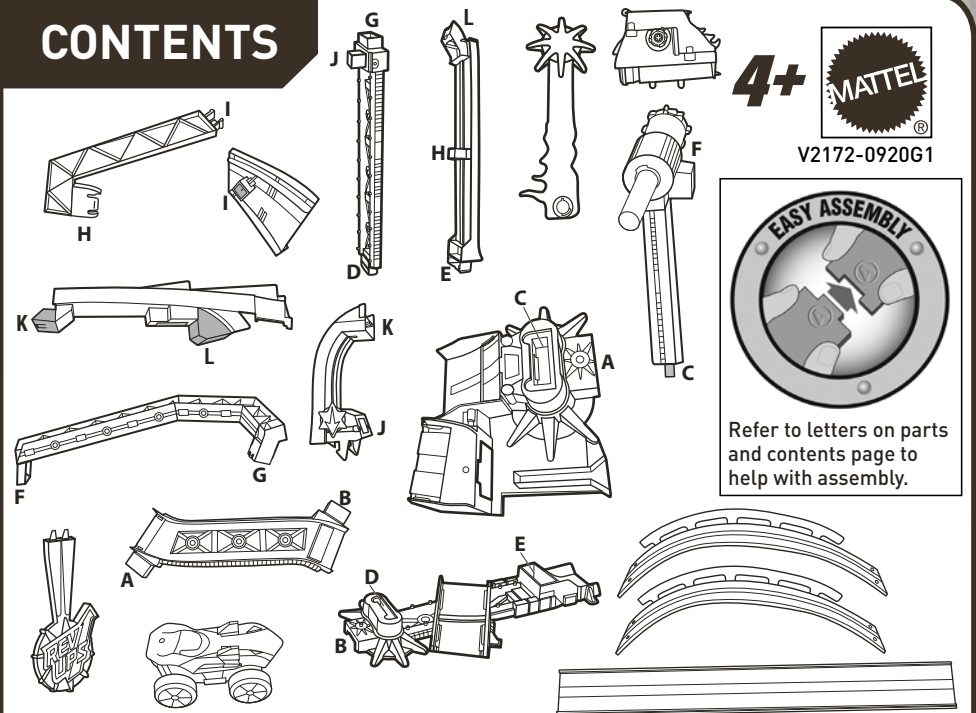


REVOLUTION STUNT PARK™

INSTRUCTIONS

Please keep these instructions for future reference as they contain important information.

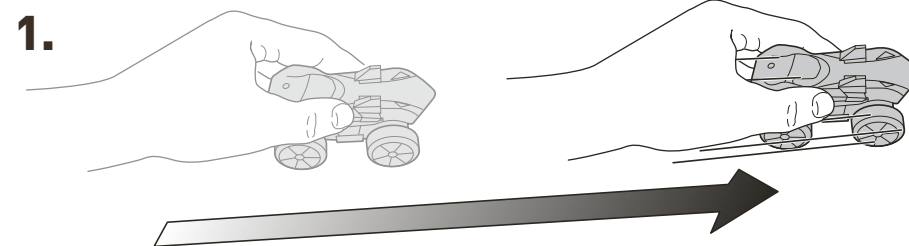
CONTENTS



This product contains a magnet. Do not use around items that are sensitive to or affected by magnetic fields.

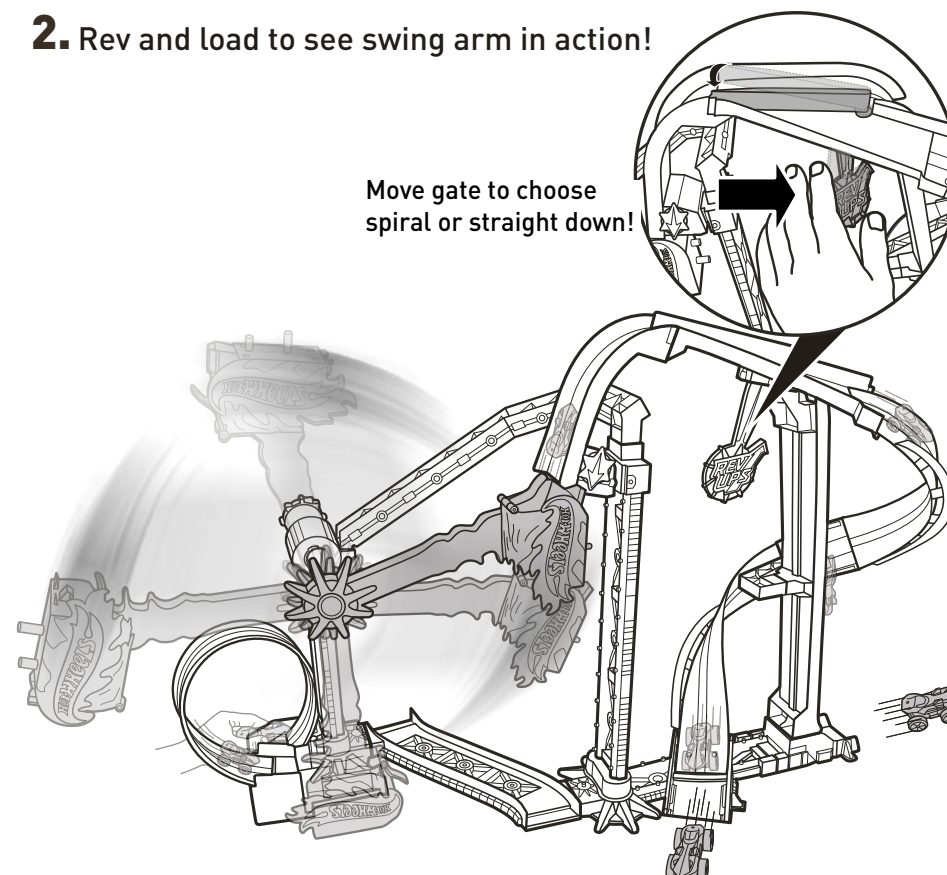
© 2010 Mattel, Inc. All Rights Reserved. Mattel, Inc., 636 Girard Avenue, East Aurora, NY 14052, U.S.A. Consumer Relations 1-800-524-8697. • Mattel U.K. Ltd., Vanwall Business Park, Maidenhead SL6 4UB. Helpline 01628 500303. • Mattel Australia Pty., Ltd., Richmond, Victoria, 3121. Consumer Advisory Service - 1300 135 312. • Mattel East Asia Ltd., Room 1106, South Tower, World Finance Centre, Harbour City, Tsimshatsui, HK, China. • Diimport & Diedarkan Oleh: Mattel SEA Ptd Ltd. (993532-P) Lot 13.5, 13th Floor, Menara Lien Hoe, Persiaran Tropicana Golf Country Resort, 47410 P.J. Tel:03-78803817, Fax:03-78803867. service.mattel.com

TO PLAY



TO REV:
 1. Push vehicle forward gently. Rev slowly at first.
 2. Clicking sound means you are revving too fast.
 3. Increase rev speed with each push.

2. Rev and load to see swing arm in action!

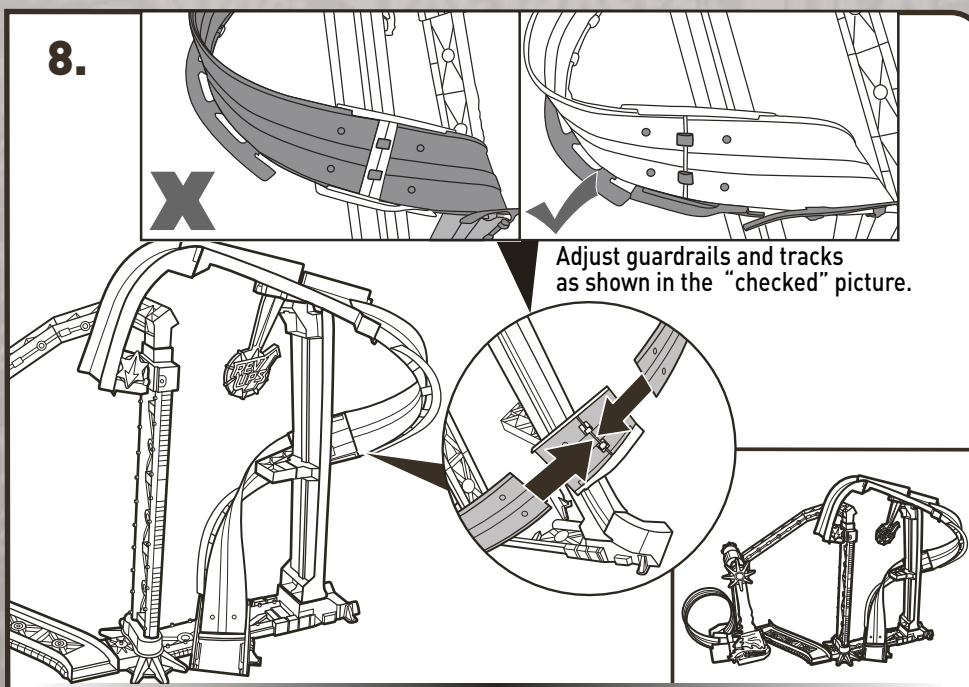


Move gate to choose spiral or straight down!

Works best on flat, level hard surfaces.

NOTE: Be careful. Stay clear of the rotating car carriage.

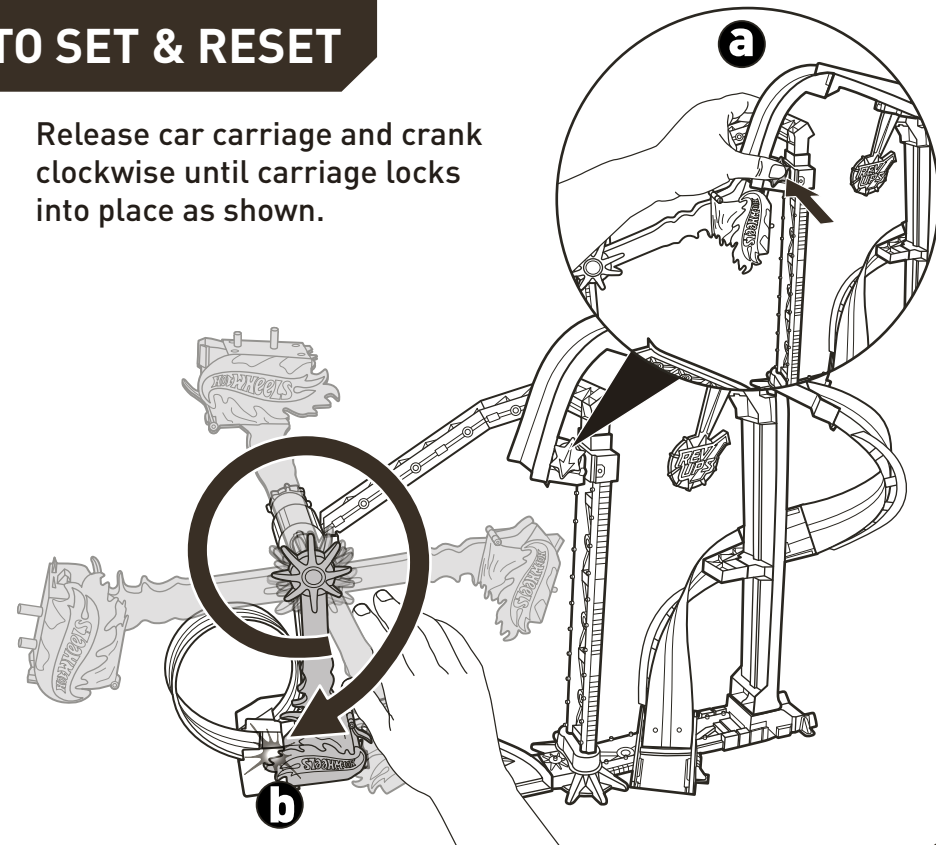
8.



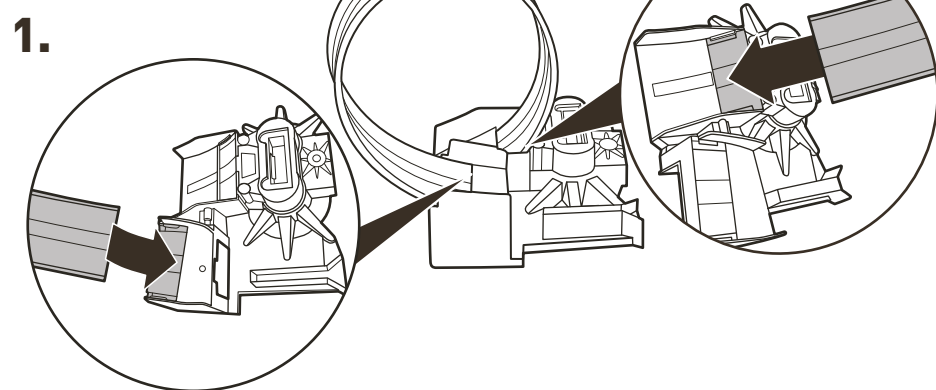
Adjust guardrails and tracks as shown in the "checked" picture.

TO SET & RESET

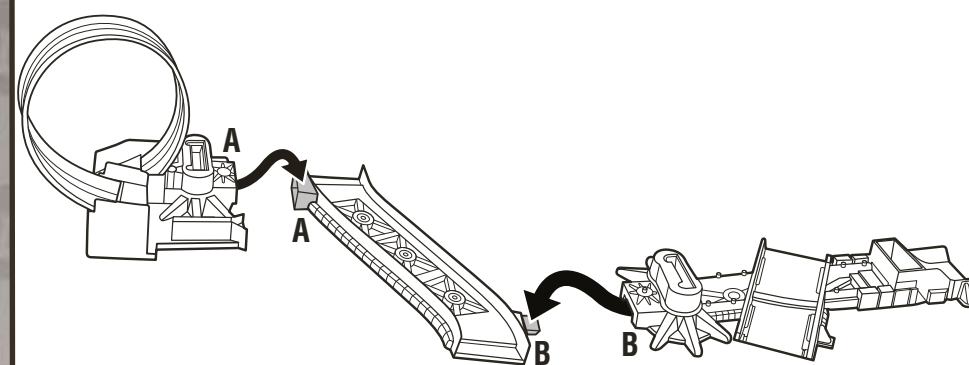
Release car carriage and crank clockwise until carriage locks into place as shown.



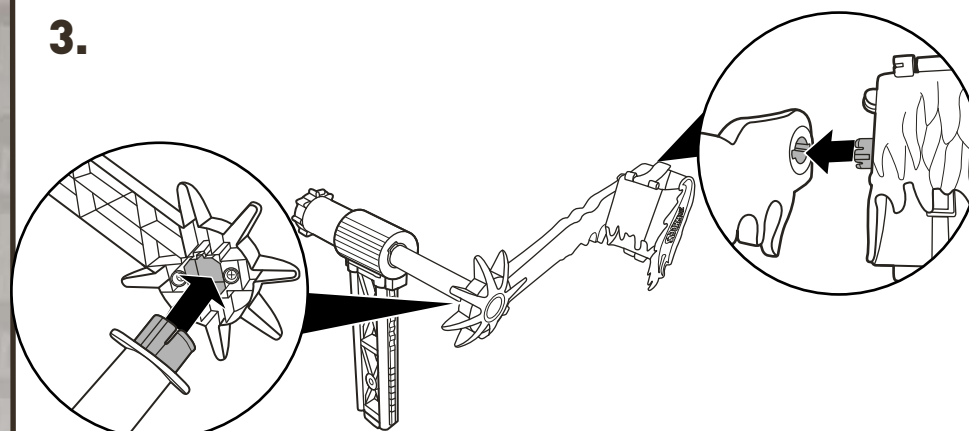
ASSEMBLY



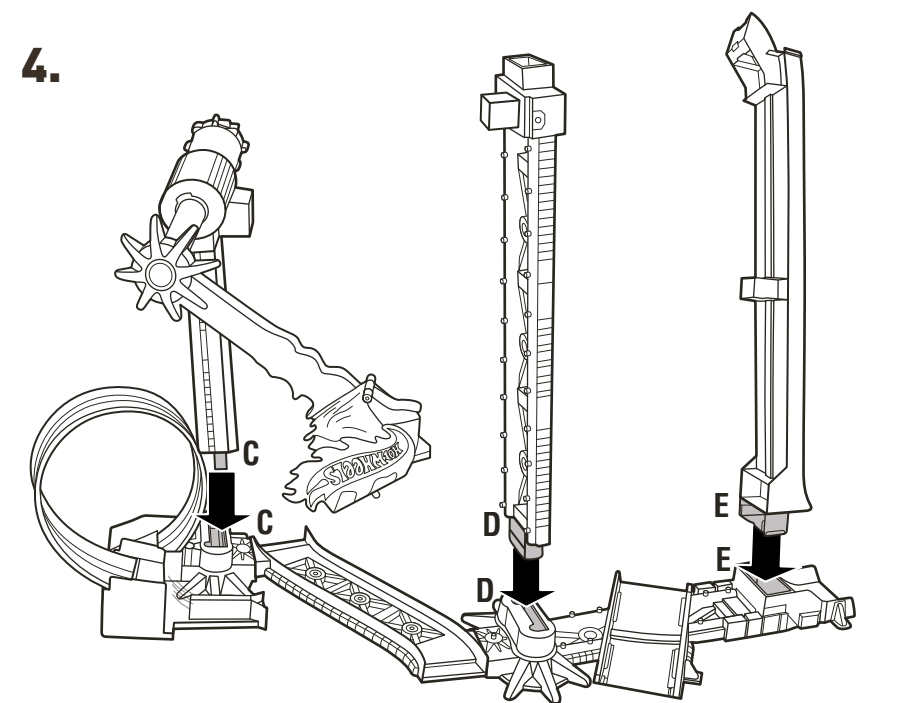
2. Refer to letters on parts and contents page to help with assembly.



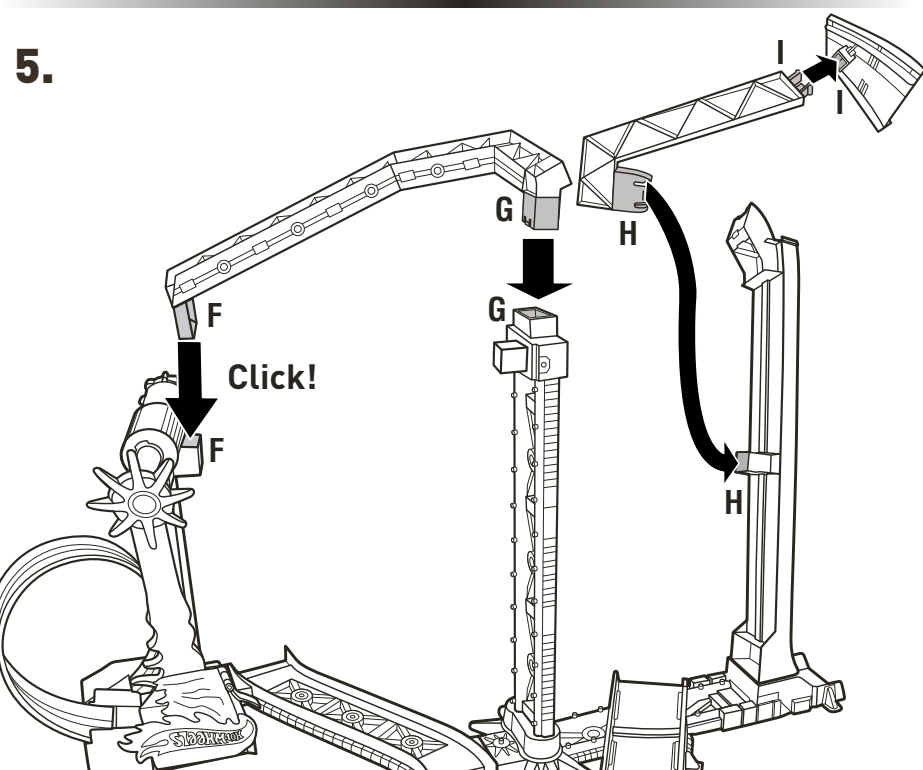
3.



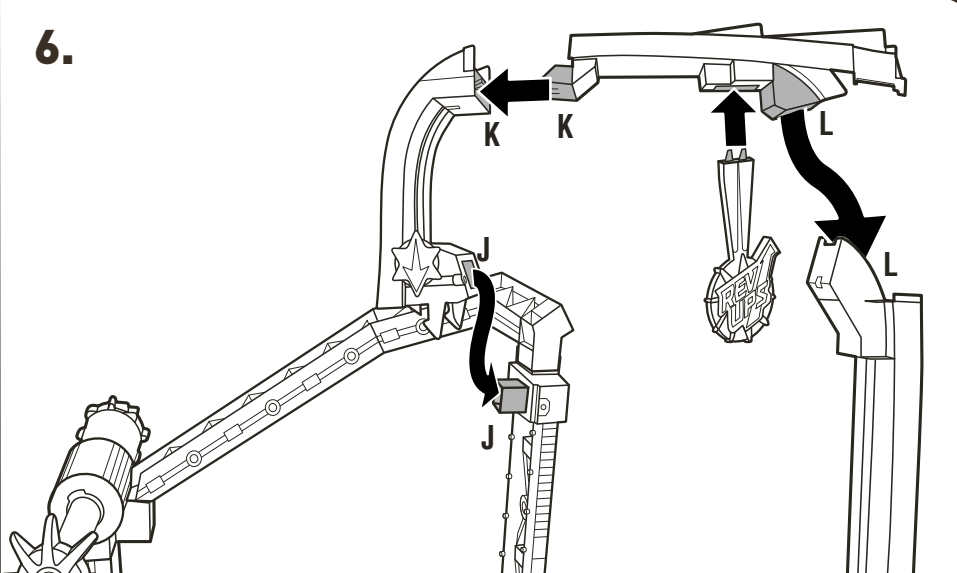
4.



5.



6.



7.

