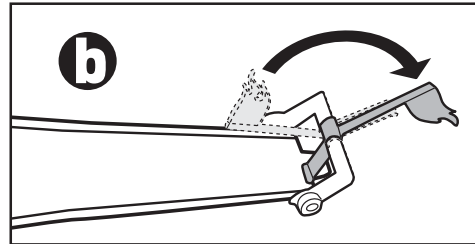
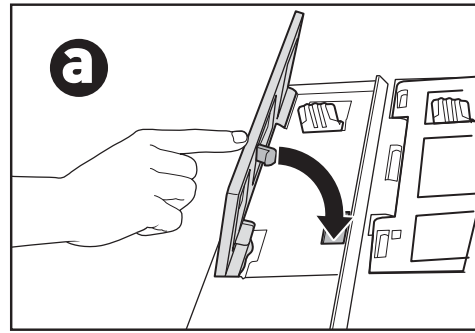
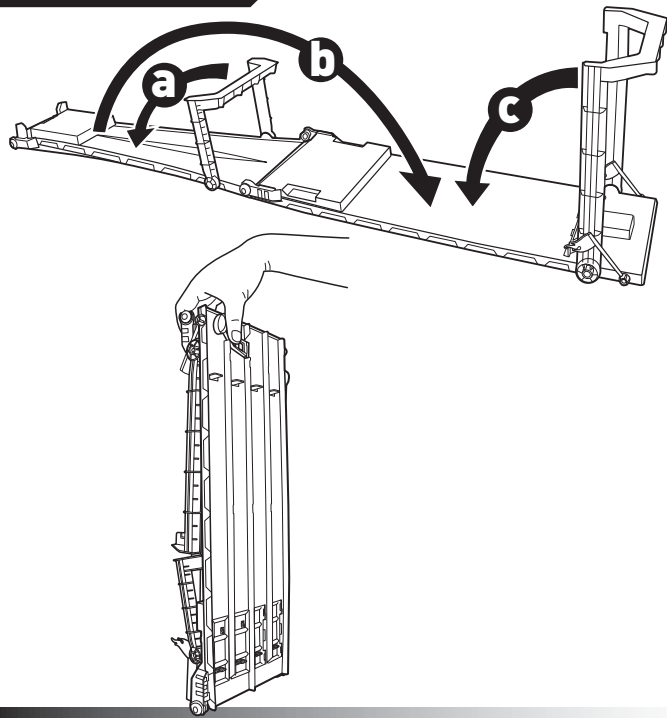


RESET

Reset flip panels and finish gate to race again.



STORAGE



Mattel, Inc., 636 Girard Avenue, East Aurora, NY 14052, U.S.A. Consumer Relations 1-800-524-8697. Mattel Canada Inc., Mississauga, Ontario L5R 3W2. You may call us free at 1-800-524-8697. Mattel U.K. Ltd., Vanwall Business Park, Maidenhead SL6 4UB. Helpline 01628 500303. Mattel Australia Pty., Ltd., Richmond, Victoria. 3121. Consumer Advisory Service - 1300 135 312. Mattel East Asia Ltd., Room 1106, South Tower, World Finance Centre, Harbour City, Tsimshatsui, HK, China. Diimport & Diedarkan Oleh: Mattel SEA Ptd Ltd.(993532-P) Lot 13.5, 13th Floor, Menara Lien Hoe, Persiaran Tropicana Golf Country Resort, 47410 PJ. Tel:03-78803817, Fax:03-78803867. service.mattel.com



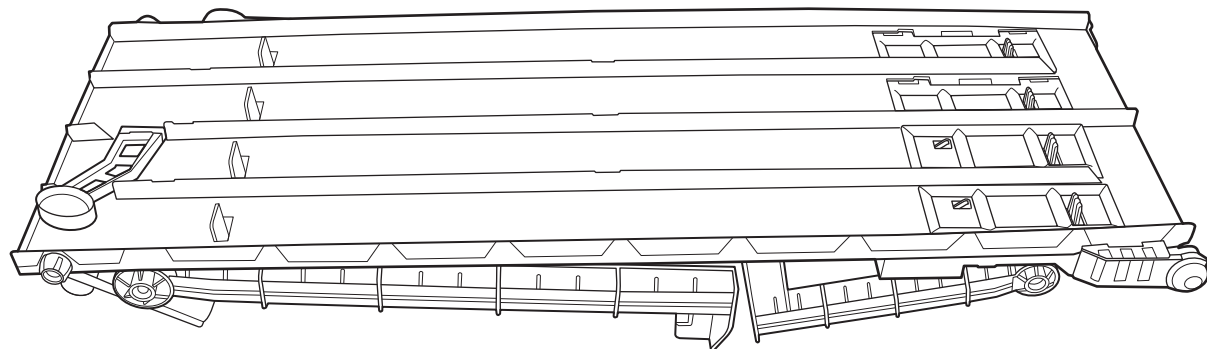
4-LANE ELIMINATION RACE

INSTRUCTIONS



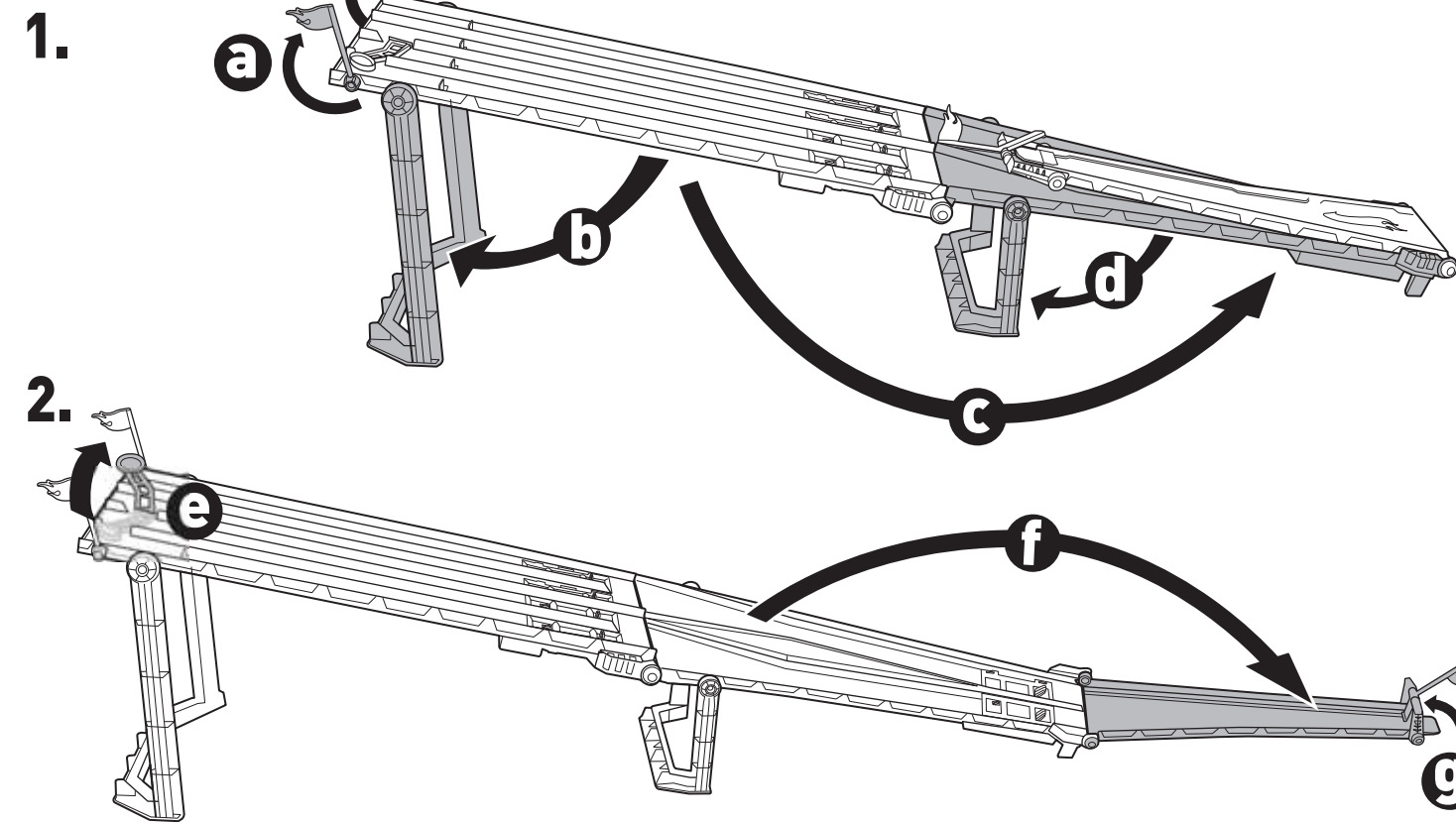
CONTENTS

Please keep these instructions for future reference as they contain important information.

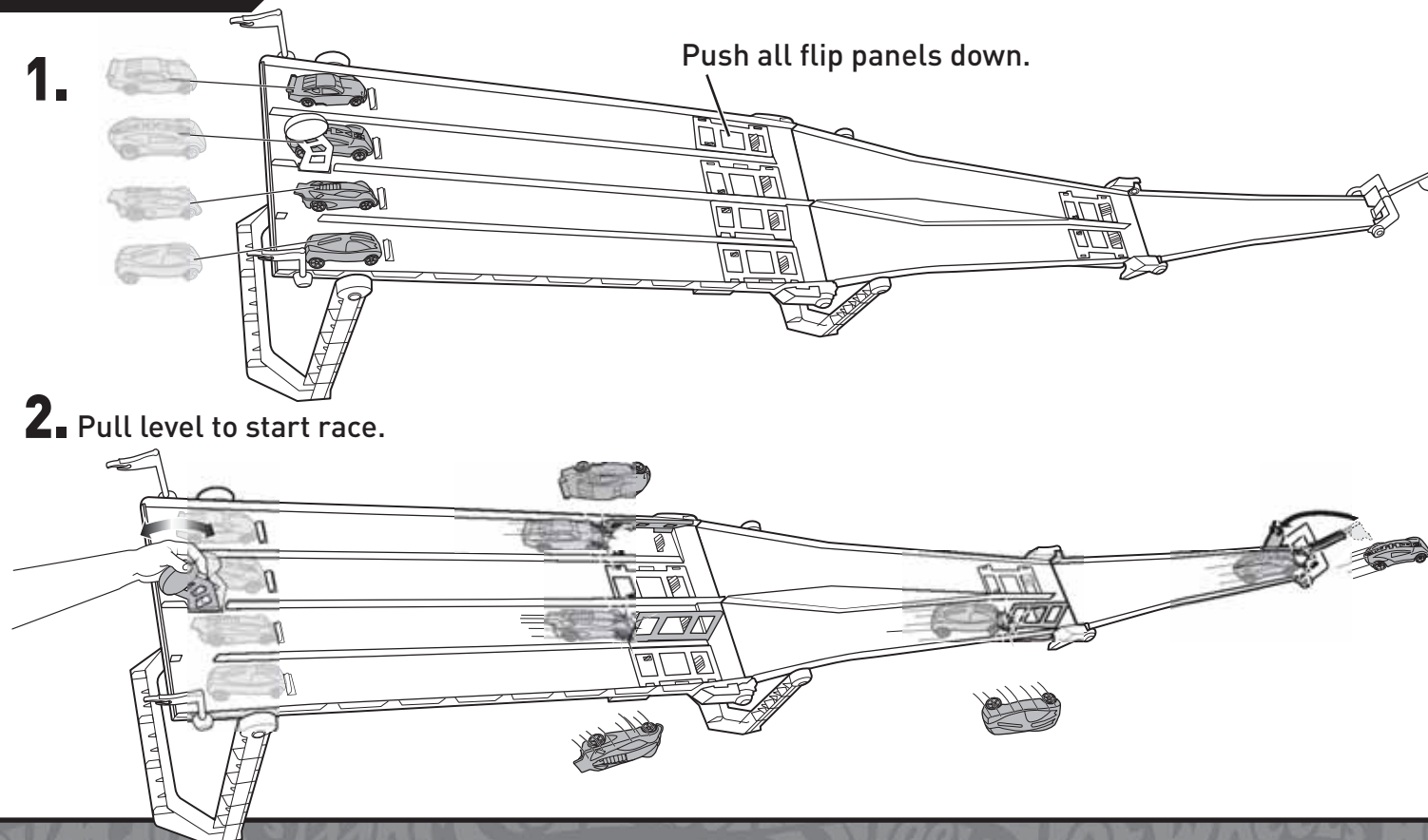


© 2010 Mattel, Inc. All Rights Reserved.

ASSEMBLY



TO PLAY



INSTRUCTION SHEET SPECIFICATIONS

Toy: 4 to 2 to 1 Race Track
Toy No.: V3257
Part No.: 0920
Trim Size: 8.5"W x 11" H
Folded Size: 8.5"W x 5.5" H
Type of Fold: Single
colors: One
Colors: Black
Paper Stock: White Offset
Paper Weight: 70 lb.
EDM No.:



2 PANEL Folding Dummy

