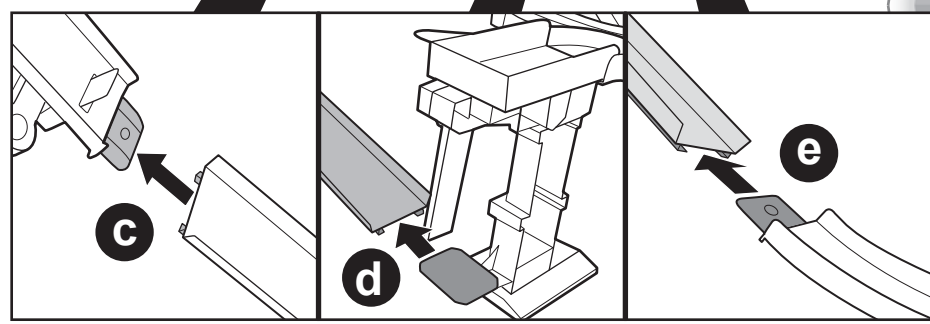
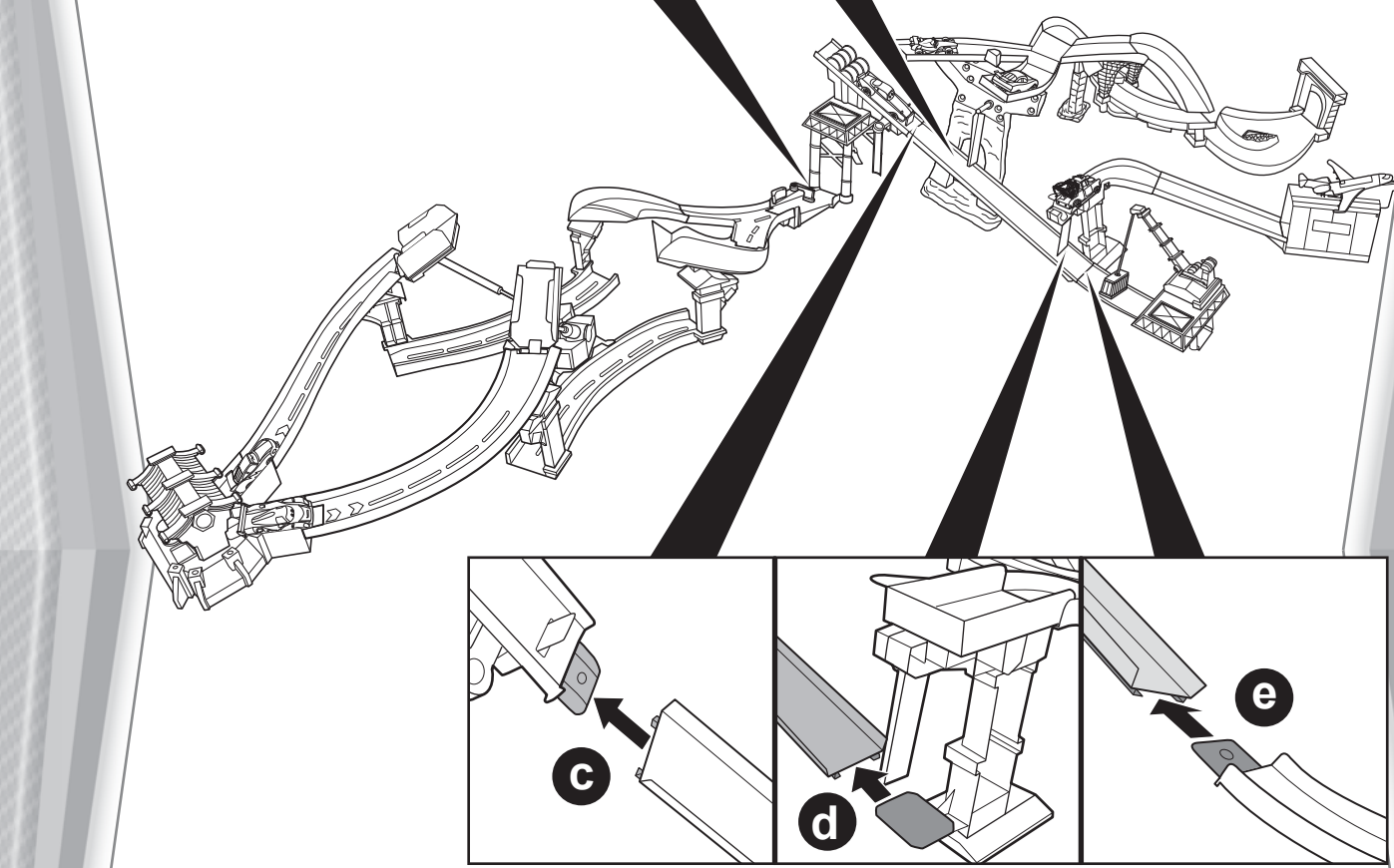
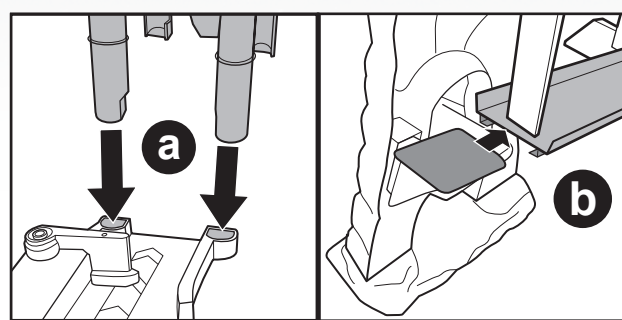


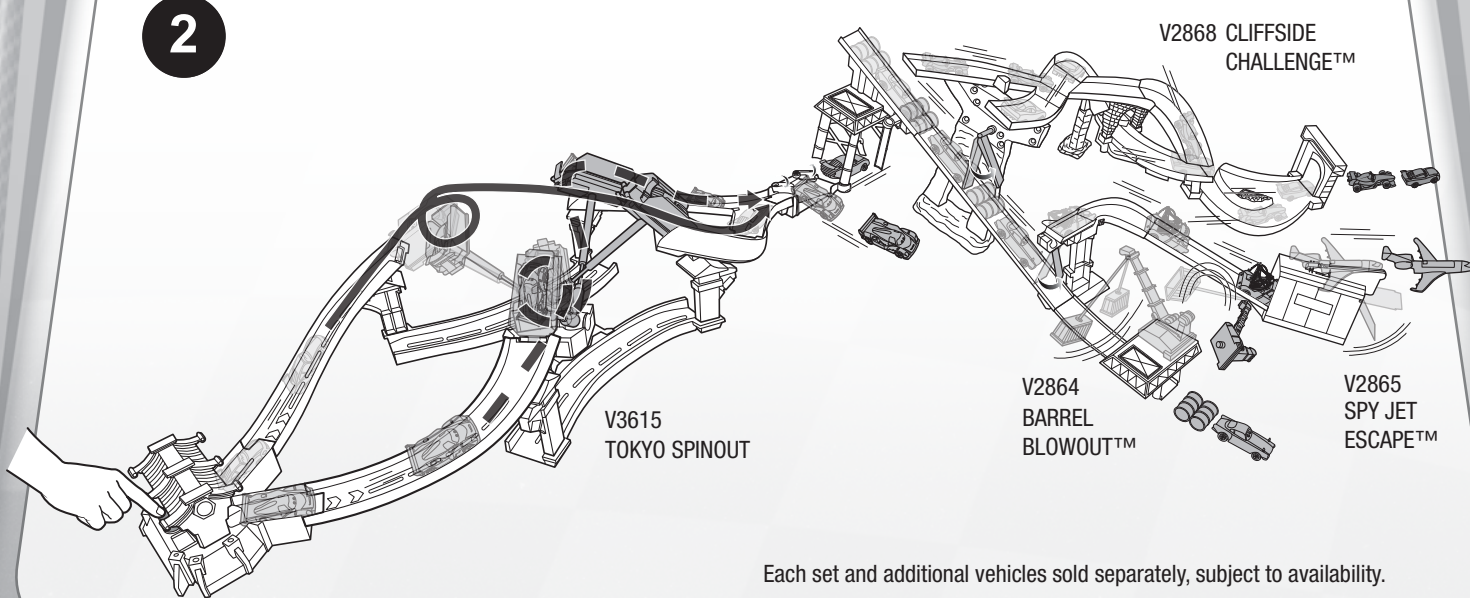
CONNECT & PLAY

CONNECT ALL 4 SETS TO CREATE A CHAIN REACTION!

1



2



Each set and additional vehicles sold separately, subject to availability.

4 of 4 page

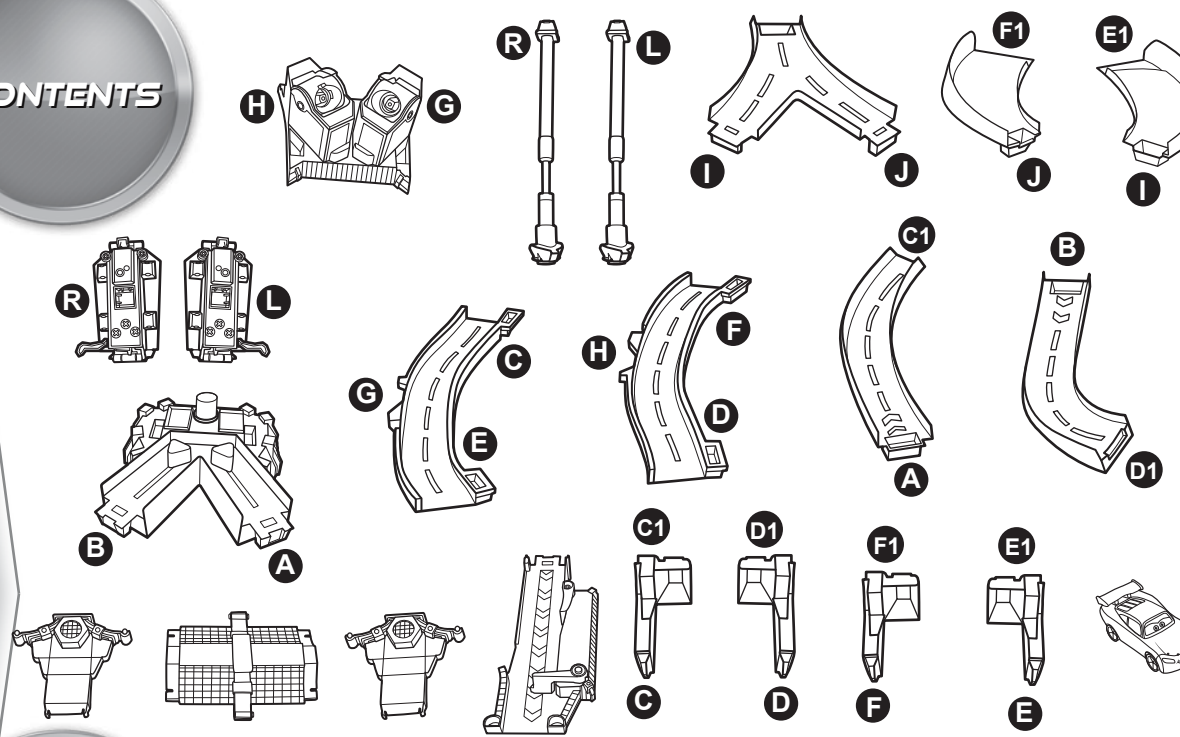


4+

INSTRUCTIONS

Please keep these instructions for future reference as they contain important information.

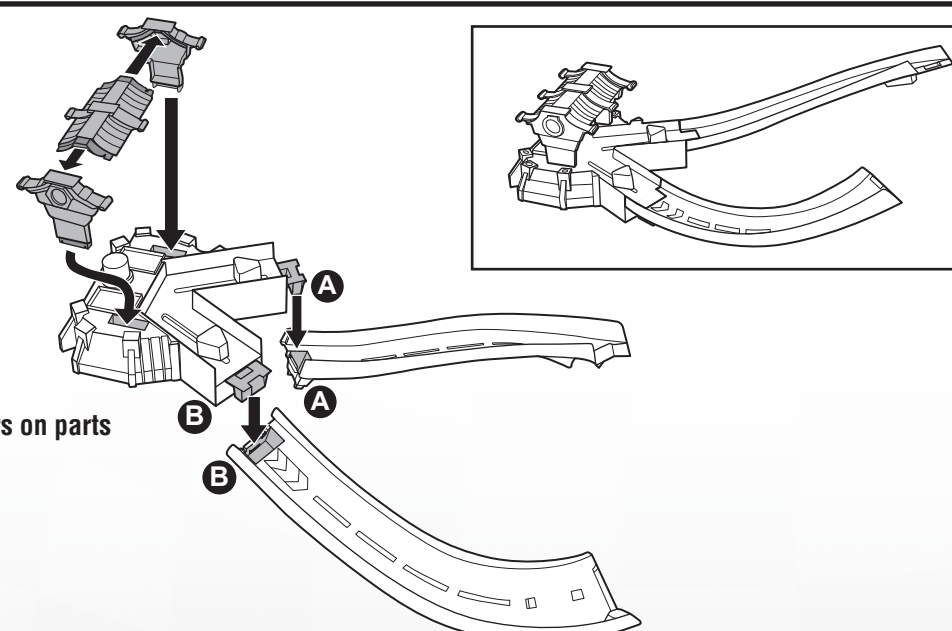
CONTENTS



ASSEMBLY

1

Refer to molded letters on parts for easy assembly.



© 2010 Mattel, Inc. All Rights Reserved.
Mattel, Inc., 636 Girard Avenue, East Aurora, NY 14052, U.S.A. Consumer Relations 1-800-524-8697. Mattel U.K. Ltd., Vanwall Business Park, Maidenhead SL6 4UB. Helpline 01628 500303. Mattel Australia Pty. Ltd., Richmond, Victoria, 3121 Consumer Advisory Service - 1300 135 312. Mattel East Asia Ltd., Room 1106, South Tower, World Finance Centre, Harbour City, Tsinghsatui, HK, China. Diimport & Diedarkan Oleh: Mattel SEA Ptd Ltd (993532-P) Lot 13.5, 13th Floor, Menara Lien Hoe, Persiaran Tropicana Golf Country Resort, 47410 PJ. Tel:03-78803817, Fax:03-78803867.

© Disney/Pixar

service.mattel.com

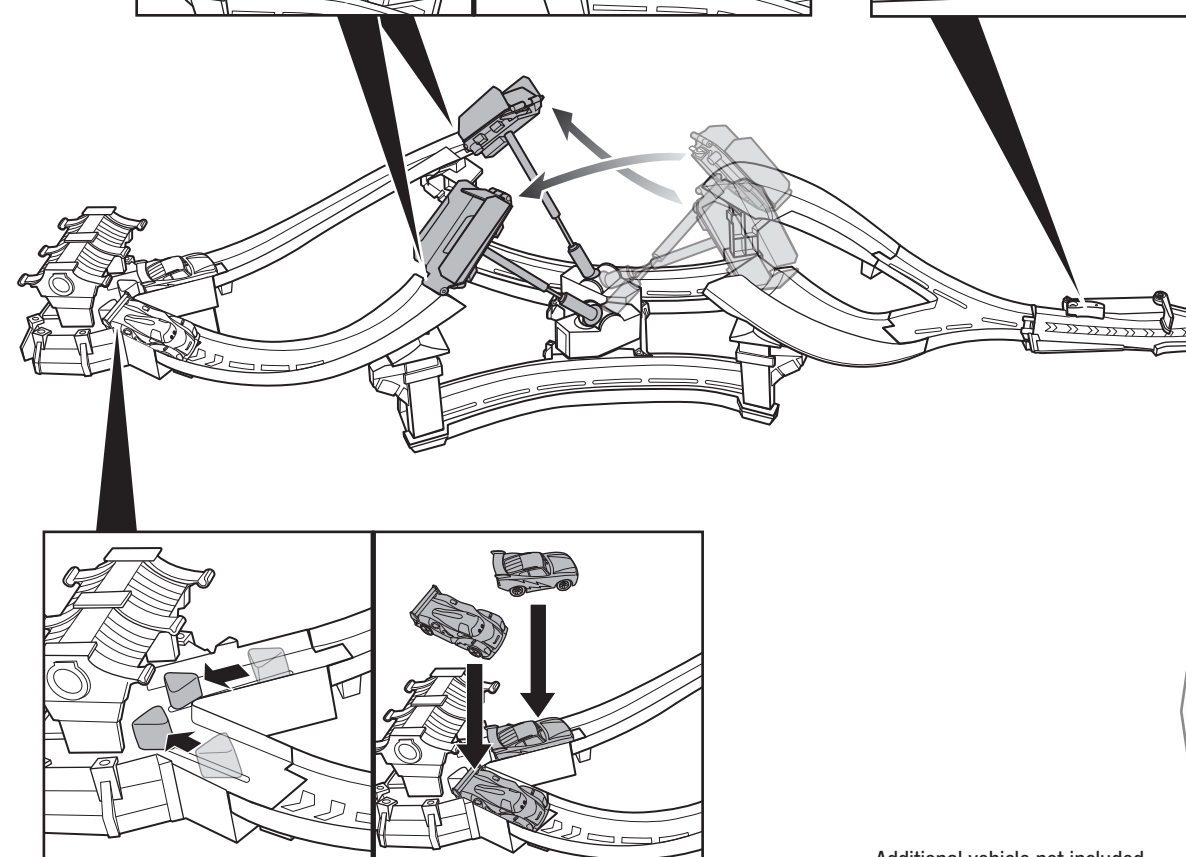
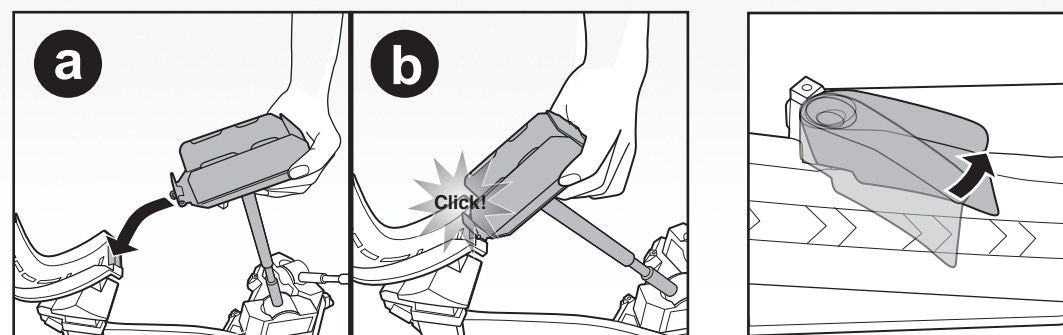
V3615-092062



INSTRUCTION SHEET SPECIFICATIONS	
Toy No.:	V3615
Part No.:	092062
Trim Size:	A3
Folded Size:	
Type of Fold:	accordion
# colors:	One
Colors:	Black
Paper Stock:	White Offset
Paper Weight:	70 lb.
EDM No.:	001a

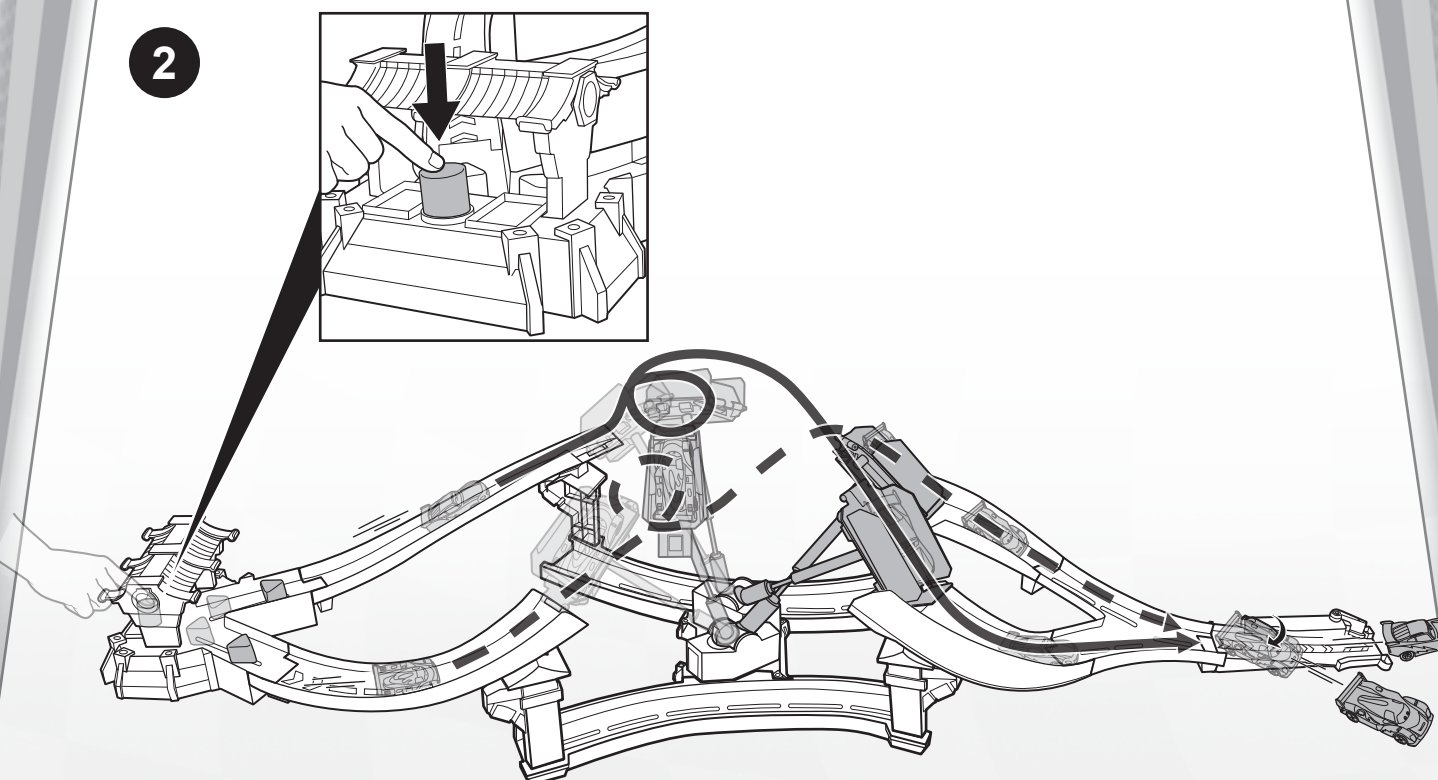
TO PLAY

1



Additional vehicle not included.

2



Not for use with some Cars vehicles.

3 of 4 page

3 of 4 page