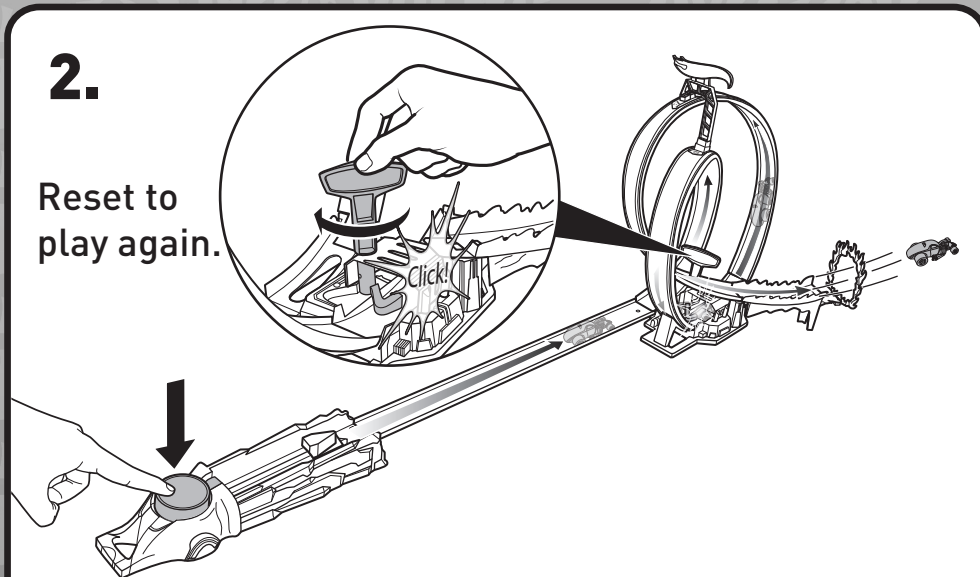
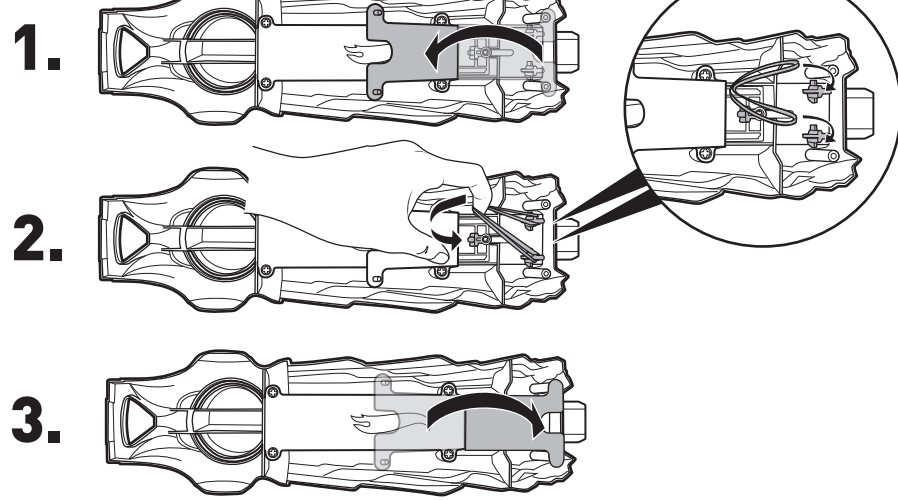


FRONT

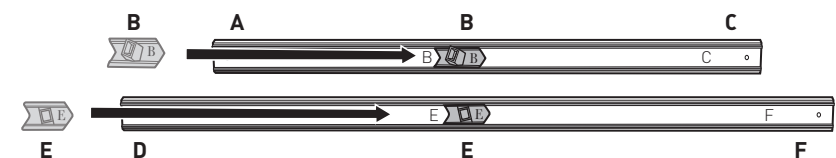


REPLACE RUBBER BAND

ADULT SUPERVISION REQUIRED.



If the base of the Hot Wheels® sign detaches from the track, reattach as shown.



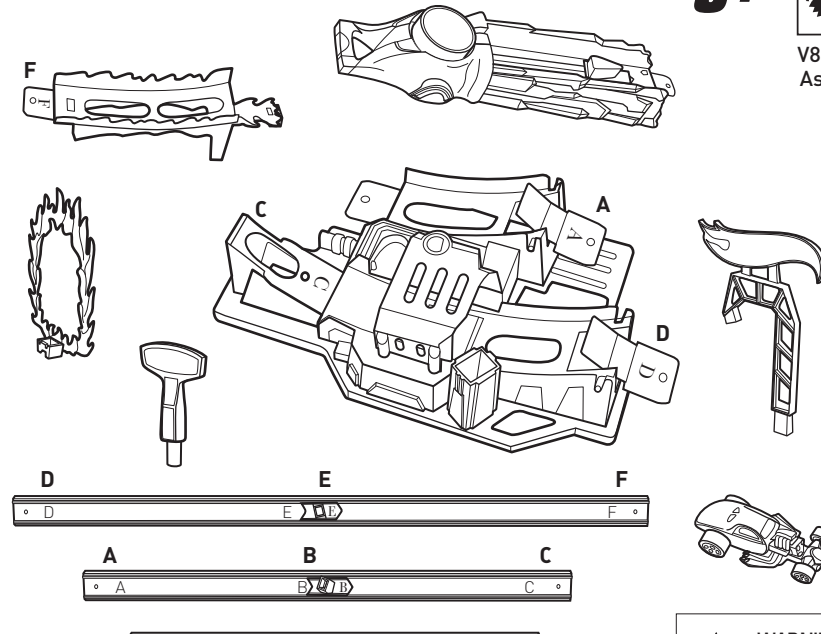
Hot Wheels GREEN LANTERN ENERGY TRACK™

INSTRUCTIONS

Keep these instructions for future reference as they contain important information.

CONTENTS

5+



WARNING:
CHOKING HAZARD - Small parts.
Not for children under 3 years.

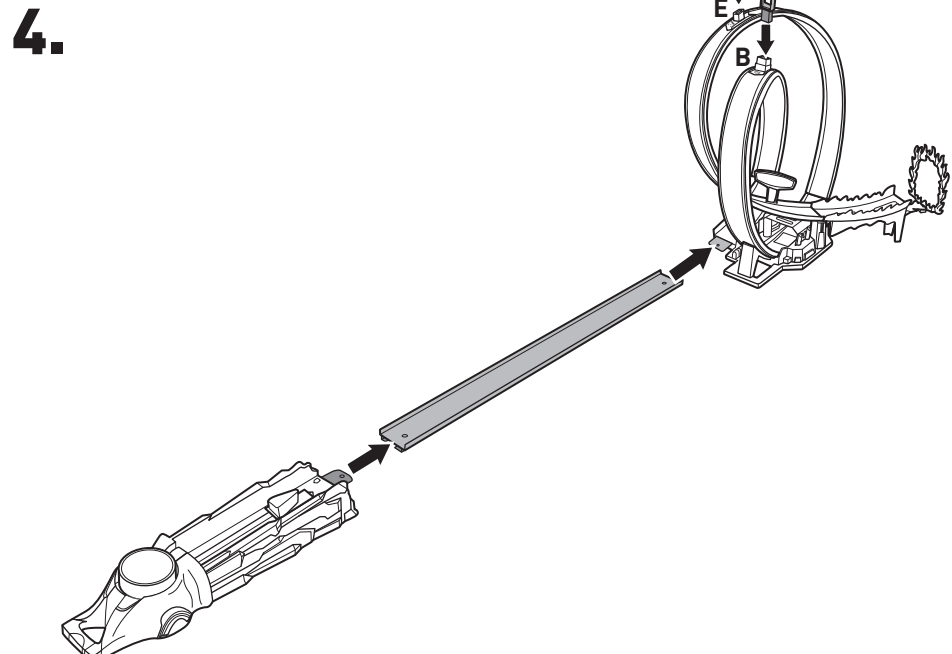
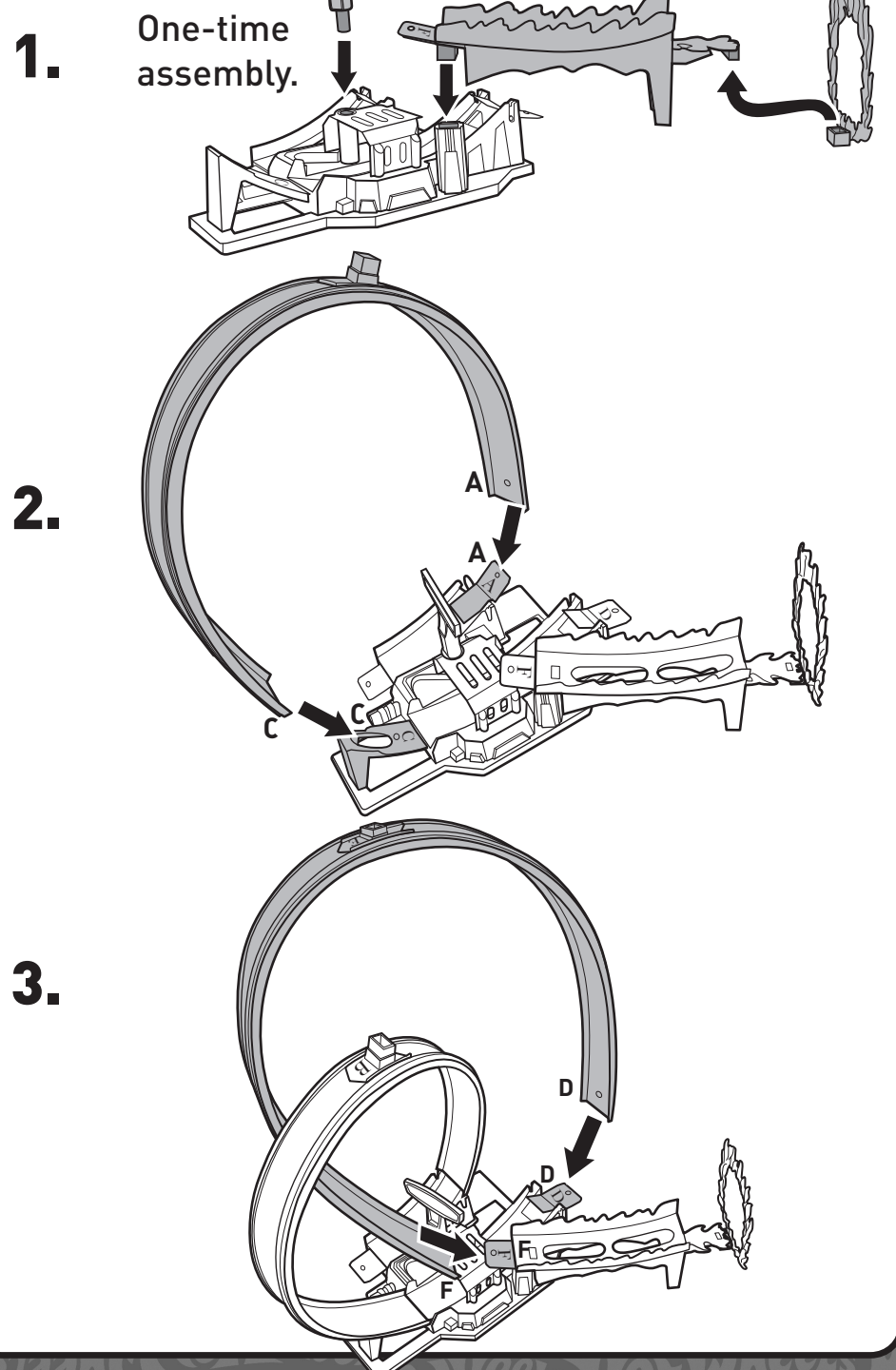


GREEN LANTERN and all related characters and elements are trademarks of and © DC Comics. (s11)

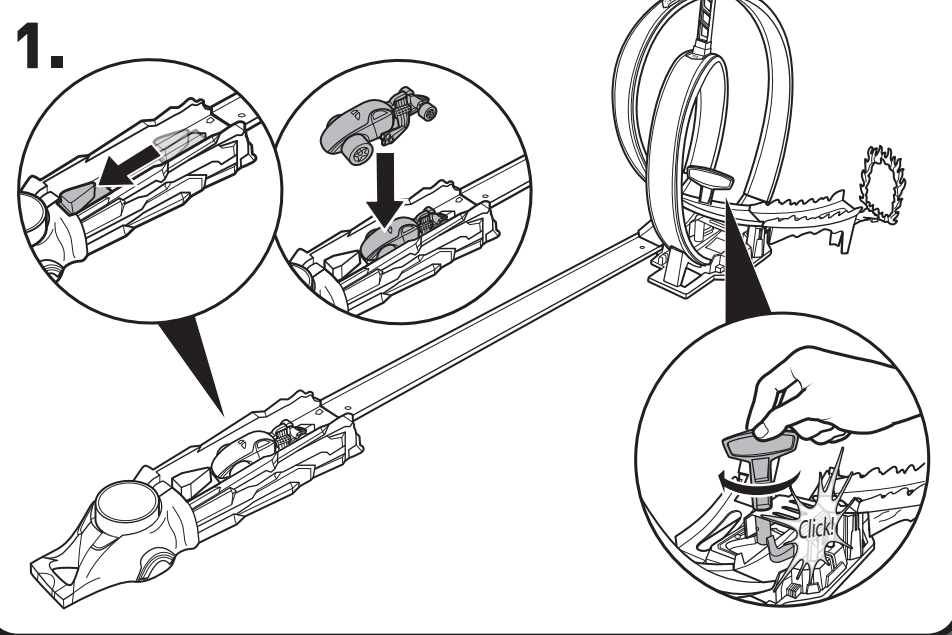
© 2010 Mattel, Inc. All Rights Reserved. Mattel, Inc., 636 Girard Avenue, East Aurora, NY 14052, U.S.A. Consumer Relations 1-800-524-8697. • Mattel Canada Inc., Mississauga, Ontario L5R 3W2. You may call us free at 1-800-524-8697. • Mattel U.K. Ltd., Vanwall Business Park, Maidenhead SL6 4UB. Helpline 01628 500303. • Mattel Australia Pty., Ltd., Richmond, Victoria, 3121. Consumer Advisory Service - 1300 135 312 Mattel East Asia Ltd., Room 1106, South Tower, World Finance Centre, Harbour City, Tsimshatsui, HK, China. • Diimport & Diedarkan Oleh: Mattel SEA Ptd Ltd.(993532-P) Lot 13.5, 13th Floor, Menara Lien Hoe, Persiaran Tropicana Golf Country Resort, 47410 PJ. Tel:03-78803817, Fax:03-78803867. service.mattel.com

BACK

ASSEMBLY



TO PLAY



INSTRUCTION SHEET SPECIFICATIONS

Toy:	HW GREEN LANTERN
Toy No.:	V8479
Part No.:	0920
Trim Size:	11"W x 8.5" H
Folded Size:	5.5" W x 8.5" H
Type of Fold:	Single
# colors:	One
Colors:	Black
Paper Stock:	White Offset
Paper Weight:	70 lb.
EDM No.:	
Date:	NOV. 22, 2010

