

INSTRUCTION SHEET SPECIFICATIONS	
Toy:	CARS POP-OPEN SPEEDWAY CS
Toy No.:	V9861
Part No.:	0920
Trim Size:	A4
Folded Size:	accordian
# colors:	One
Colors:	Black
Paper Stock:	White Offset
Paper Weight:	70 lb.
EDM No.:	001a

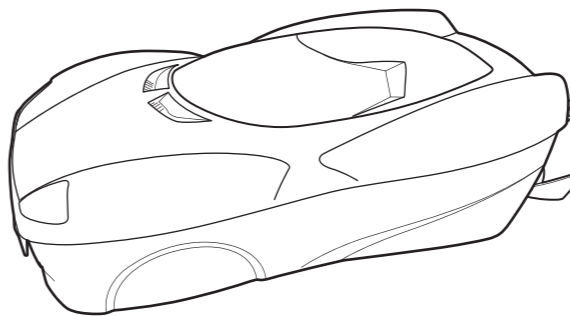


4+

# INSTRUCTIONS

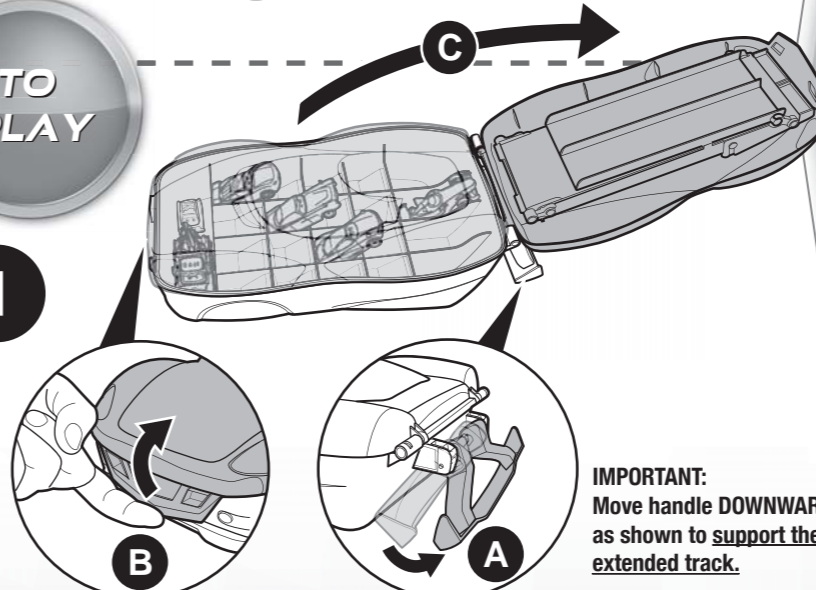
Please keep these instructions for future reference as they contain important information.

## CONTENTS



## TO PLAY

1



**IMPORTANT:**  
Move handle **DOWNWARD** as shown to **support the extended track**.

© 2010 Mattel, Inc. All Rights Reserved.  
Mattel, Inc., 636 Girard Avenue, East Aurora, NY 14052, U.S.A. Consumer Relations 1-800-524-8697. Mattel U.K. Ltd., Vanwall Business Park, Maidenhead SL6 4UB. Helpline 01628 500303. Mattel Australia Pty., Ltd., Richmond, Victoria. 3121. Consumer Advisory Service - 1300 135 312. Mattel East Asia Ltd., Room 1106, South Tower, World Finance Centre, Harbour City, Tsimshatsui, HK, China. Diimport & Diedarkan Oleh: Mattel SEA Ptd Ltd.(993532-P) Lot 13.5, 13th Floor, Menara Lien Hoe, Persiaran Tropicana Golf Country Resort, 47410 PJ. Tel:03-78803817, Fax:03-78803867.

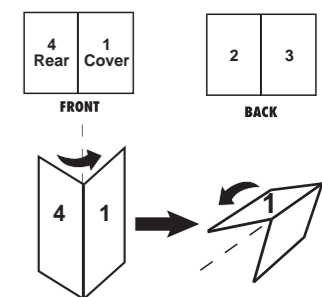
© Disney/Pixar

service.mattel.com

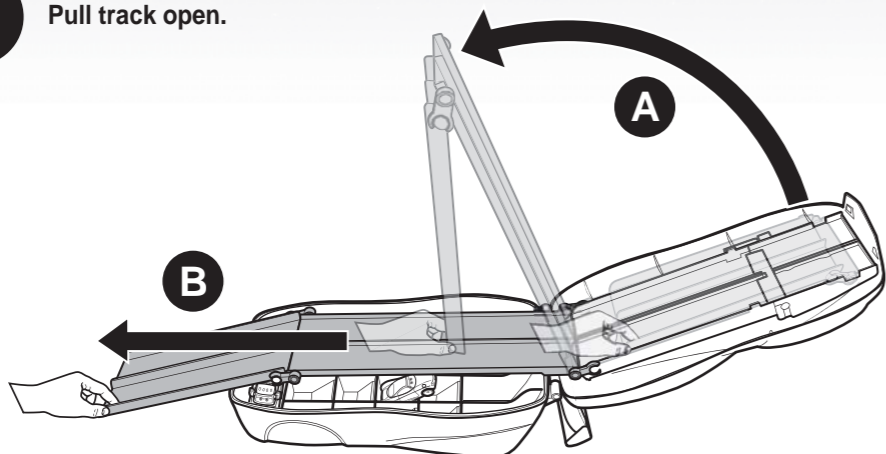
V9861-0920



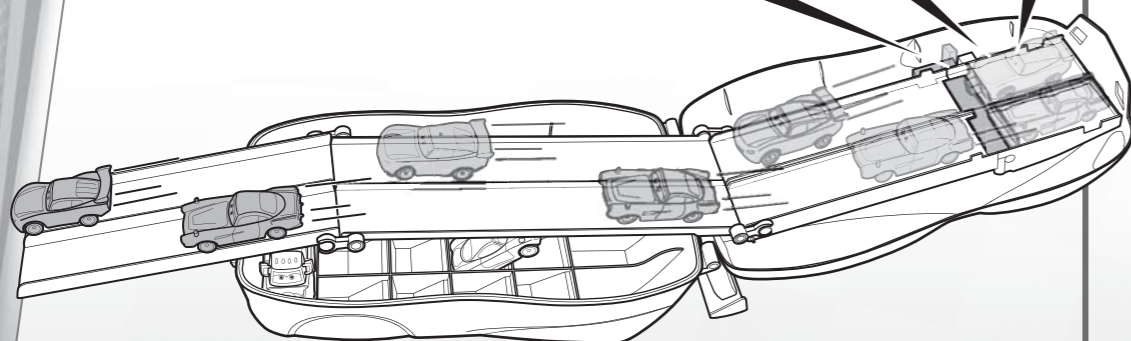
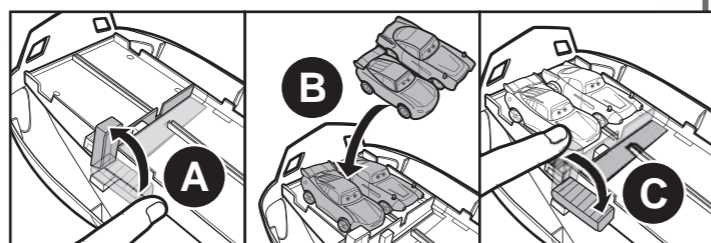
## Folding Dummy



2 Pull track open.



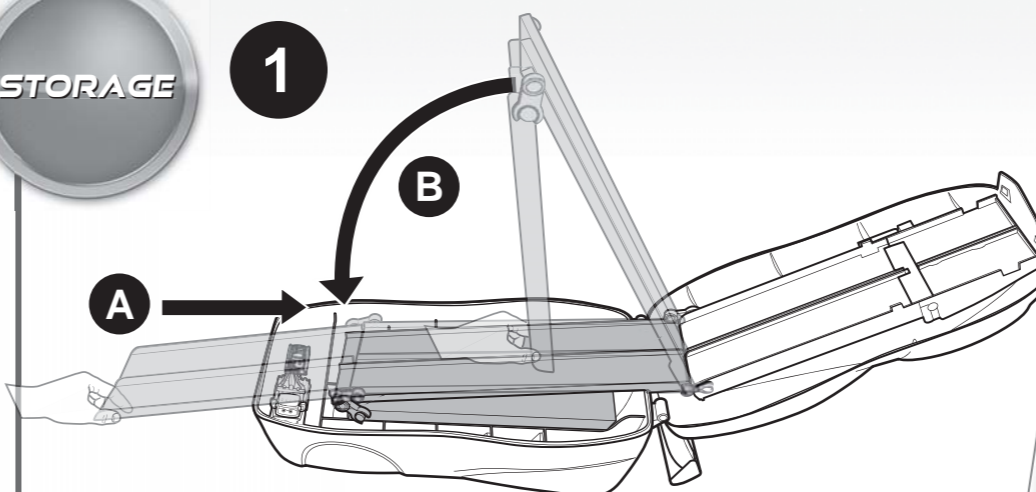
3 Let's race!



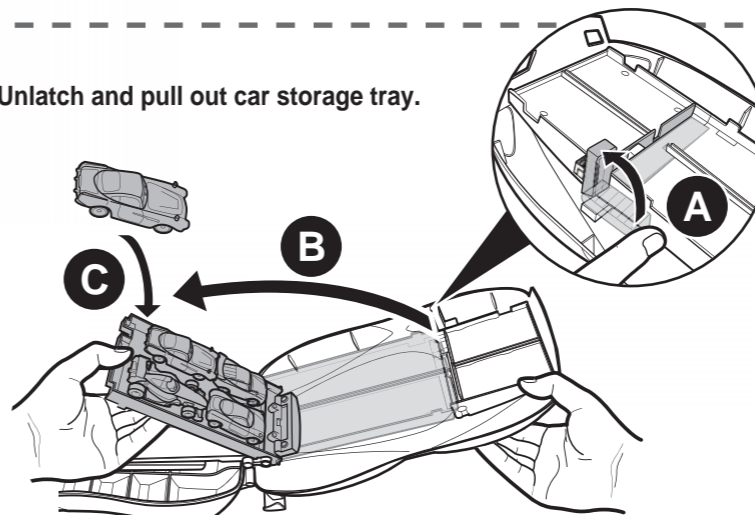
Not for use with some Cars vehicles.

## STORAGE

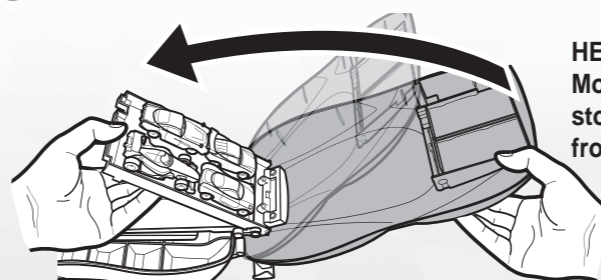
1



2 Unlatch and pull out car storage tray.



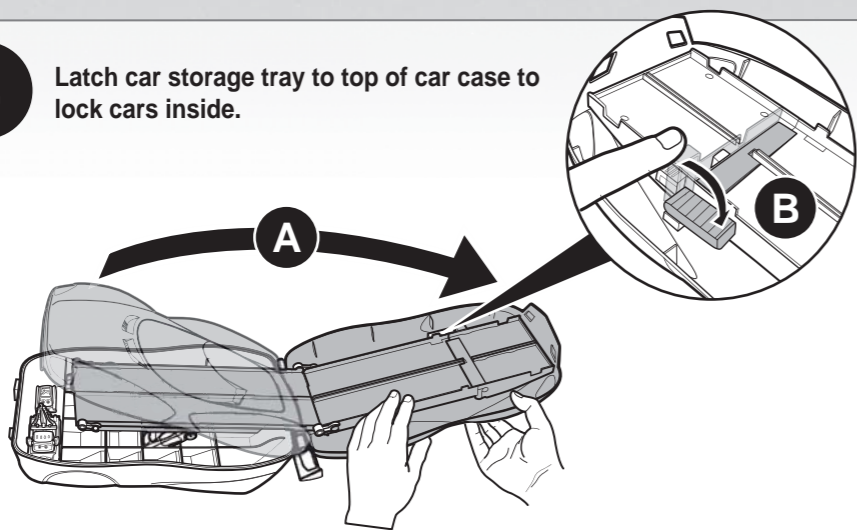
3 Reconnect top of car case to car storage tray as shown. SNAP together.



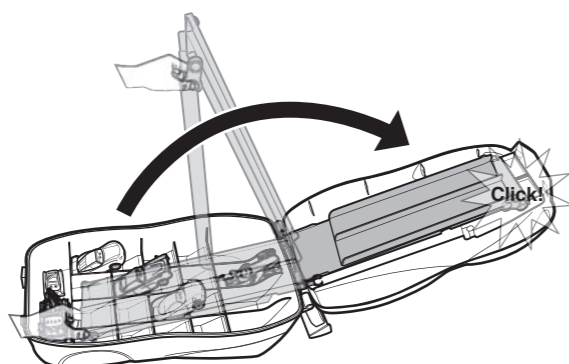
**HELPFUL TIP:**  
Move top of car case **OVER** car storage tray to prevent cars from rolling out.

4

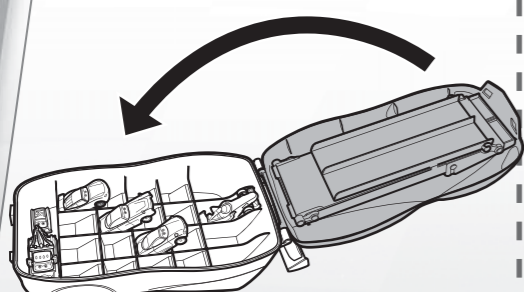
Latch car storage tray to top of car case to lock cars inside.



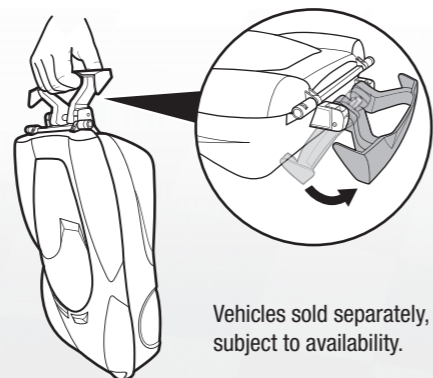
5



6



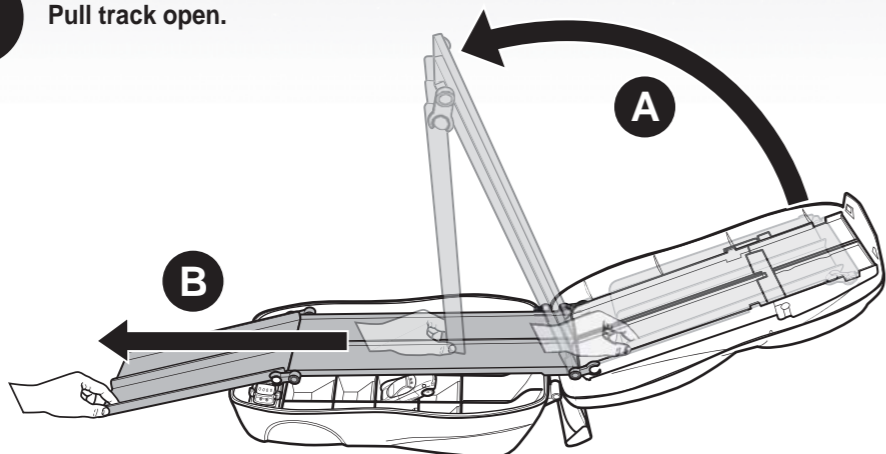
7



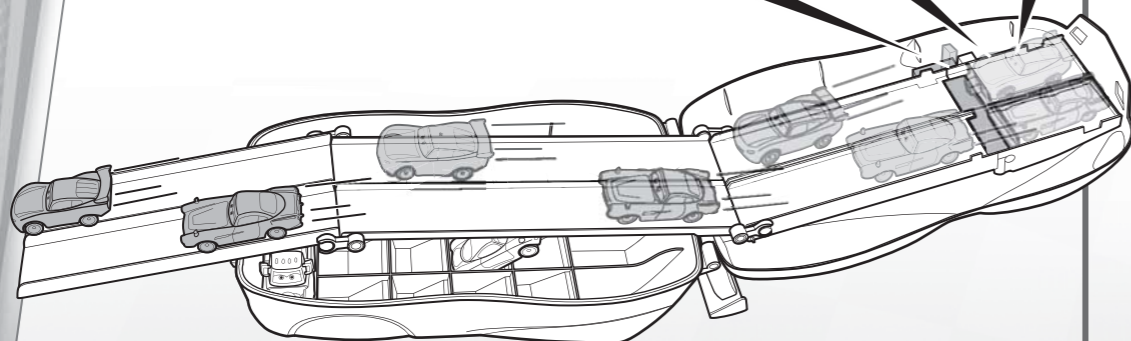
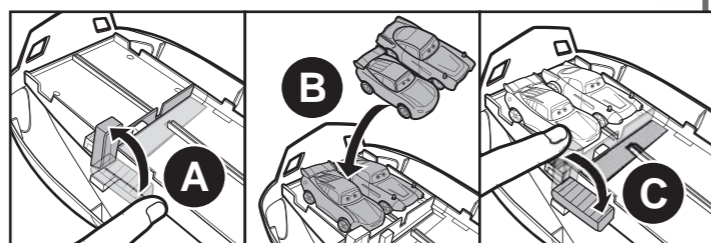
Vehicles sold separately, subject to availability.

2

Pull track open.



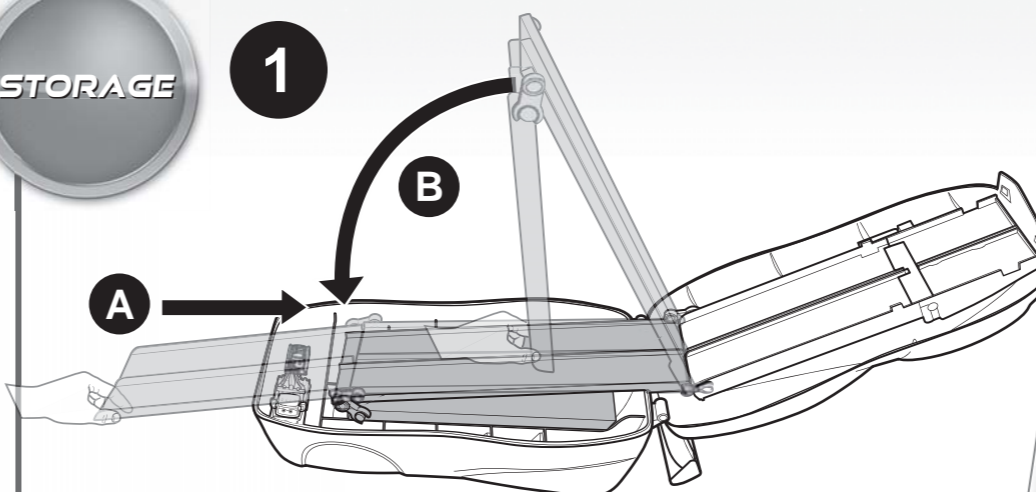
3 Let's race!



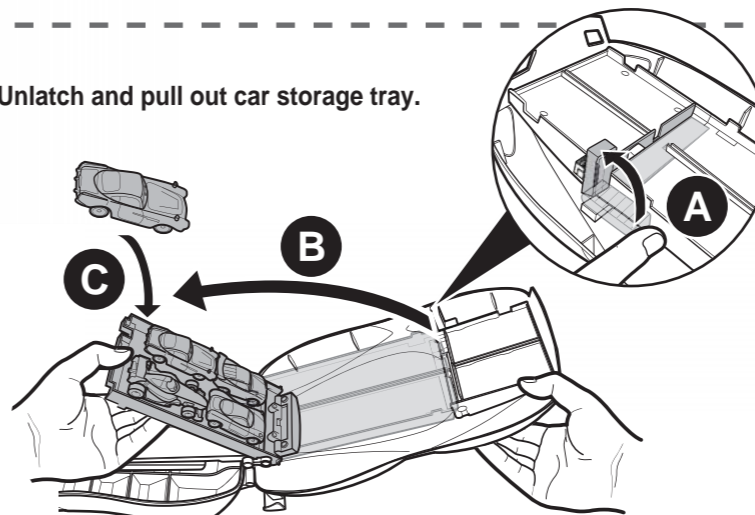
Not for use with some Cars vehicles.

## STORAGE

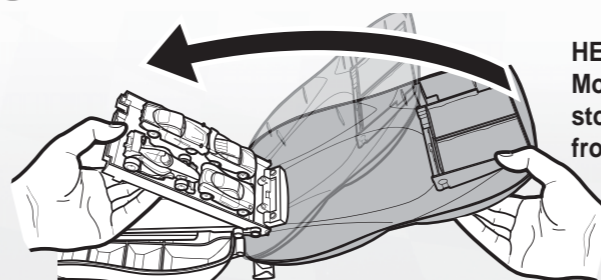
1



2 Unlatch and pull out car storage tray.



3 Reconnect top of car case to car storage tray as shown. SNAP together.



**HELPFUL TIP:**  
Move top of car case **OVER** car storage tray to prevent cars from rolling out.