



V9962

www.fisher-price.com



Please keep this instruction sheet for future reference, as it contains important information.

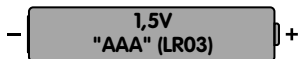
Adult assembly required.

Requires one "AAA" battery (included).

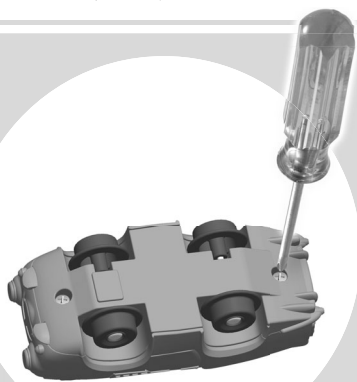
Tool required for assembly: Phillips screwdriver (not included).

**GeoTrax**  
Transportation System

# Battery Replacement



- Protect the environment by not disposing of this product with household waste (2002/96/EC). Check your local authority for recycling advice and facilities (Europe only).



**For best performance, we recommend replacing the battery that came with this toy with a new "AAA" (LR03) alkaline battery.**

- Loosen the screws in the bottom of the vehicle to access the battery compartment.
- Remove the exhausted battery and throw it away.
- Insert a new "AAA" (LR03) **alkaline** battery.

**Hint:** We recommend using an **alkaline** battery for longer battery life.

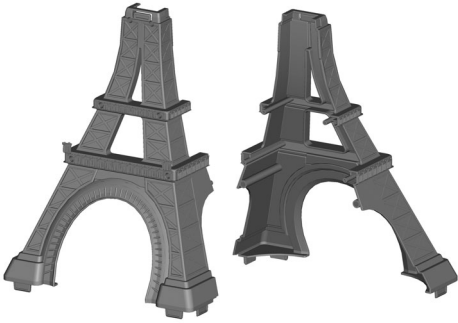
- Replace the bottom of the vehicle and tighten the screws. Do not over-tighten.
- If this toy begins to operate erratically, you may need to reset the electronics. Remove the battery and replace it in the toy.
- When sounds from this toy become faint or stop, it's time for an adult to change the battery.

# Battery Safety Information

In exceptional circumstances, batteries may leak fluids that can cause a chemical burn injury or ruin your toy. To avoid battery leakage:

- Do not mix old and new batteries or batteries of different types: alkaline, standard (carbon-zinc) or rechargeable (nickel-cadmium).
- Insert batteries as indicated inside the battery compartment.
- Remove batteries during long periods of non-use. Always remove exhausted batteries from the toy. Dispose of batteries safely. Do not dispose of this product in a fire. The batteries inside may explode or leak.
- Never short-circuit the battery terminals.
- Use only batteries of the same or equivalent type, as recommended.
- Do not charge non-rechargeable batteries.
- Remove rechargeable batteries from the toy before charging.
- If removable, rechargeable batteries are used, they are only to be charged under adult supervision.

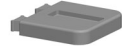
# Parts



**2 Tower Sides**



**Tower Top**

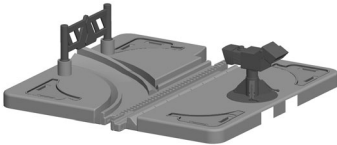


**Platform**



3,5 mm x 13 mm Screw - 4

**SHOWN ACTUAL SIZE**



**Base**

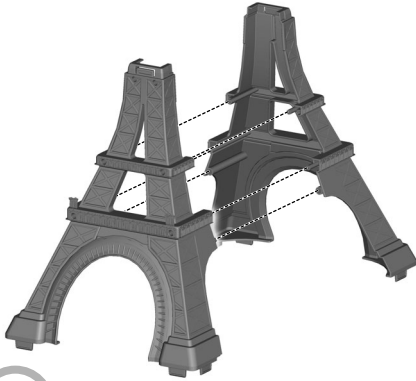


## **CAUTION**

This product includes small parts in an unassembled state. Adult assembly is required.

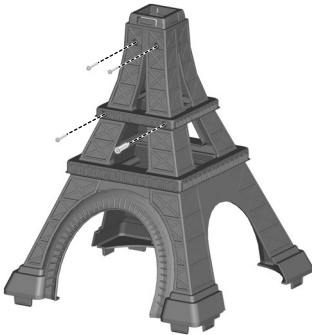
# Assembly

1



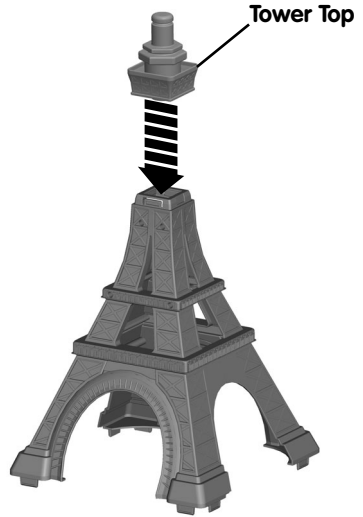
- Fit both sides of the tower together.

2



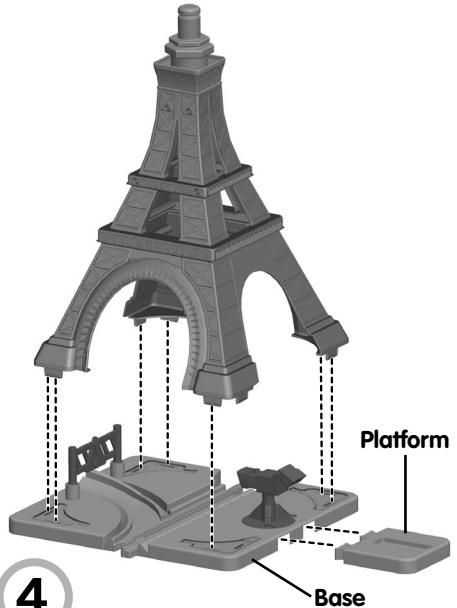
- Insert four 3,5 mm x 13 mm screws into the holes in the tower. Tighten the screws with a Phillips screwdriver. Do not over-tighten.

3



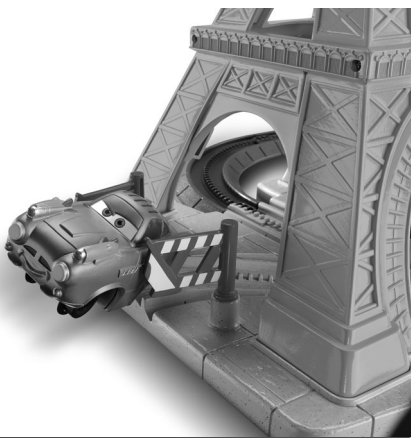
- Fit the top of the tower onto the assembly. Push to "snap" in place.

4



- Fit the tabs on the bottom of the tower into the slots in the base. Push to "snap" the tower in place.
- Next, fit the tabs on the platform into the openings on the side of the base, as shown. Push to "snap" in place.

# The race is on!



- Drive a car through the tower or turn the camera to switch the track and watch it crash through the gate!



- Push down on the vehicle to hear fun phrases and sounds!

# Consumer Information



**CONSUMER ASSISTANCE**  
1-800-432-5437 (US & Canada)  
1300 135 312 (Australia)

**service.fisher-price.com**

---

Fisher-Price, Inc., 636 Girard Avenue, East Aurora, NY 14052.  
Hearing-impaired consumers: 1-800-382-7470.

Outside the United States:

Canada: Mattel Canada Inc., 6155 Freemont Blvd.,  
Mississauga, Ontario L5R 3W2; www.service.mattel.com.

Great Britain: Mattel UK Ltd, Vanwall Business Park,  
Maidenhead SL6 4UB. Helpline: 01628 500303.  
www.service.mattel.com/uk

Mattel Europa, B.V., Gondel 1, 1186 MJ Amstelveen, Nederland.

Australia: Mattel Australia Pty. Ltd., 658 Church Street,  
Locked Bag #870, Richmond, Victoria 3121 Australia.

New Zealand: 16-18 William Pickering Drive,  
Albany 1331, Auckland.

## FCC Statement (United States Only)

This equipment has been tested and found to comply with the limits for a Class B digital device, pursuant to Part 15 of the FCC Rules. These limits are designed to provide reasonable protection against harmful interference in a residential installation. This equipment generates, uses and can radiate radio frequency energy and, if not installed and used in accordance with the instructions, may cause harmful interference to radio communications. However, there is no guarantee that interference will not occur in a particular installation. If this equipment does cause harmful interference to radio or television reception, which can be determined by turning the equipment off and on, the user is encouraged to try to correct the interference by one or more of the following measures:

- Reorient or relocate the receiving antenna.
- Increase the separation between the equipment and receiver.
- Consult the dealer or an experienced radio/TV technician for help.

Note: Changes or modifications not expressly approved by the manufacturer responsible for compliance could void the user's authority to operate the equipment. This device complies with Part 15 of the FCC Rules.

Operation is subject to the following two conditions: (1) This device may not cause harmful interference and (2) this device must accept any interference received, including interference that may cause undesired operation.

## Care

- Wipe the toy with a clean, damp cloth. Do not immerse the vehicle.
- This toy has no consumer serviceable parts. Do not take this toy apart.

## ICES-003

- This Class B digital apparatus complies with Canadian ICES-003.
- Operation is subject to the following two conditions: (1) this device may not cause harmful interference and (2) this device must accept any interference received, including interference that may cause undesired operation.

## NMB-003

- Cet appareil numérique de la classe B est conforme à la norme NMB-003 du Canada.
- L'utilisation de ce dispositif est autorisée seulement aux conditions suivantes : (1) il ne doit pas produire de brouillage et (2) l'utilisateur du dispositif doit être prêt à accepter tout brouillage radioélectrique reçu, même si ce brouillage est susceptible de compromettre le fonctionnement du dispositif.

© Disney/Pixar, Pacer™, Gremlin™

Fisher Price, Inc., a subsidiary of Mattel, Inc., East Aurora, NY 14052 U.S.A.

©2010 Mattel, Inc. All Rights Reserved. ® and ™ designate U.S. trademarks of Mattel, Inc., unless otherwise indicated.