



# Owner's Manual with Assembly Instructions

For W2602

Please read this manual and save it with your original sales receipt.

Tools needed for assembly: assembly wrench (included), Phillips Screwdriver and Adjustable Wrench (both not included).

Use only with a Power Wheels® 12 Volt Lead-Acid Rechargeable Battery and a Power Wheels® 12 Volt Charger (both included).



## DUNE RACER



# IMPORTANT INFORMATION

## ELECTRICAL HAZARD



### DANGER

- To prevent electric shock, do not immerse in water; wipe clean with a damp cloth.



### WARNING

- Battery can fall out and injure a child if vehicle tips over. Always use battery retainer.
- **PREVENT FIRE**
  - Never modify the electrical system. Alterations could cause a fire resulting in serious injury and could also ruin the electrical system.
  - Use of the wrong type battery or charger could cause a fire or explosion resulting in serious injury.
  - Use of Power Wheels® components in products other than Power Wheels® vehicles could cause overheating, fire or explosion.
- The battery must be handled by adults only. The battery is heavy and contains sulfuric acid (electrolyte). Dropping the battery could result in serious injury.
- Never allow children to charge the battery. Battery charging must be done by adults only. A child could be injured by the electricity involved in charging the battery.
- Read the safety instructions on the battery.
- Examine the battery, charger and their connectors for excessive wear or damage each time you charge the battery. If damage or excessive wear is detected, do not use the charger or the battery until you have replaced the worn or damaged part.
- **HOT** motors. Handle carefully.

## RIDING HAZARD



### WARNING

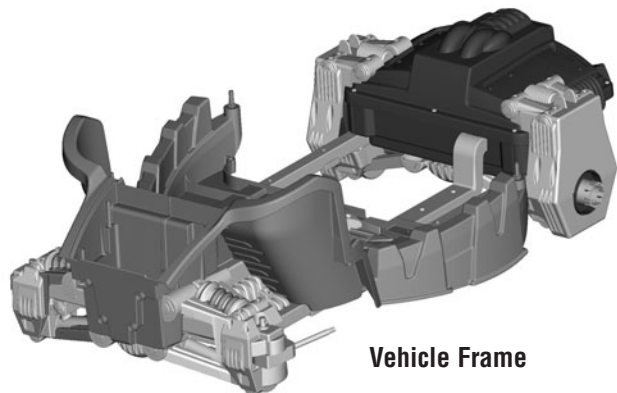
- **Prevent Injuries and Deaths**
  - Direct Adult Supervision Required.
  - Never Ride at Night.
  - Keep Children Within Safe Riding Areas.
    - These areas must be:
      - Away from swimming pools and other bodies of water to prevent drownings.
      - Generally level to prevent tipovers.
      - Away from steps, steep inclines, cars, roads and alleys.
  - Riding Rules
    - Make sure children know and follow these rules for safe driving and riding.
      - Always sit on the seat.
      - Always wear shoes.
      - Only 2 (two) riders at a time.

## IMPORTANT INFORMATION

- Read this manual carefully for important safety information and operating instructions before using your vehicle. Keep this manual for future reference, as it contains important information.
- The vehicle is designed for use on grass, asphalt, and other hard surfaces; on generally level terrain; and by children 3 years of age and older. Do not exceed the maximum weight capacity of 130 lbs (59 kg).
- Your new vehicle requires adult assembly. Please set aside at least 45 minutes for assembly.
- Use this vehicle **ONLY** outdoors. Most interior flooring can be damaged by riding this vehicle indoors. Fisher-Price® will not be responsible for damage to the floor if the vehicle is used indoors.
- You must charge your battery for 18-30 hours **before you use your vehicle for the first time**. We recommend charging your battery before beginning assembly. Please see the Battery Charging section for detailed instructions.
- The battery charger is not a toy.
- Do not short circuit the battery.
- **Adults Note:** Regularly examine the charger for damage to the cord, plug, housing or other parts that may result in the risk of fire, electric shock or injury. In the event of any damage, do not use the charger until the damage has been properly repaired.
- Your Power Wheels® 12 volt battery is equipped with a built-in thermal fuse. The thermal fuse is a self-resetting safety device which automatically “trips” and shuts down operation of the vehicle if the vehicle is overloaded or the driving conditions too severe. Once a fuse has “tripped”, remove your foot from the pedal and wait approximately 25 seconds before operating the vehicle again. To avoid repeated automatic shut-downs, avoid severe driving conditions.
- If a thermal fuse in a battery continually trips under normal driving conditions, please contact your local Power Wheels® Authorized Service Center.
- To prevent damaging the motors and gears, teach your child to stop the vehicle before switching direction.
- If you have any questions about your Power Wheels® vehicle, please call our toll-free service lines at **1-800-348-0751**. Trained customer service representatives are available to take your call in English or French. Habla Español? Si usted tiene alguna pregunta ó necesita asistencia llame gratis **1-800-348-0755** para los Estados Unidos. Tenemos representantes que hablan español para atender su llamada.
- For your convenience, Power Wheels® maintains an **independently owned and operated** Authorized Service Center Network with more than 300 authorized service centers nationwide. Our authorized service centers will repair or replace parts under warranty at no extra charge, and can perform non-warranty repairs for a minimal charge. To find the authorized service center nearest you, please visit us online at **www.powerwheels.com** or call **1-800-348-0751**.
- Please visit us online at **www.powerwheels.com** to register your vehicle.

# ASSEMBLED PARTS

- If you experience a problem with this product, please call us at **1-800-348-0751**, rather than return this product to a store.
- Please identify all parts before assembly and save all packaging material until assembly is complete to ensure that no parts are discarded.
- Metal parts have been coated with a lubricant to protect them during shipment. Wipe all metal parts with a paper towel to remove any excess lubricant.





# ASSEMBLED PARTS



2 Sidebar Covers  
(Left and Right)



Steering Wheel Cap



2 Front Hubcaps



2 Rear Hubcaps



2 Bushings



2 Front Axle Fastener  
Caps



2 Rear Axle Caps



Assembly Wrench



12V Battery

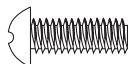


12V Charger

## Part Not Shown: Label Sheet



#8 x 3/4" (1,9 cm) Screw - 34



#8 x 1/2" (1,3 cm) Screw - 2



3/8" (1 cm) Lock Nut - 4



#8-32 Acorn Nut - 2

### Fasteners Shown Actual Size

**For your convenience, we included extra fasteners!**

**Note:** Tighten and loosen all screws with a Phillips screwdriver. Do not over-tighten the screws.



# BATTERY CHARGING

## ELECTRICAL HAZARD



### WARNING

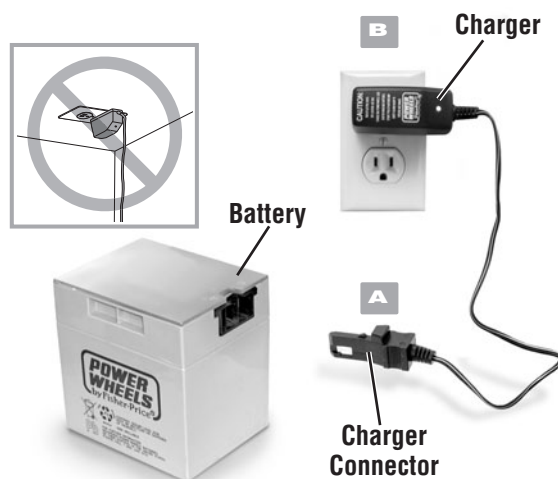
- Battery can fall out and injure a child if vehicle tips over. Always use battery retainer.
- **PREVENT FIRE**
  - Never modify the electrical system. Alterations could cause a fire resulting in serious injury and could also ruin the electrical system.
  - Use of the wrong type battery or charger could cause a fire or explosion resulting in serious injury.
  - Use of Power Wheels® components in products other than Power Wheels® vehicles could cause overheating, fire or explosion.
- The battery must be handled by adults only. The battery is heavy and contains sulfuric acid (electrolyte). Dropping the battery could result in serious injury.
- Never allow children to charge the battery. Battery charging must be done by adults only. A child could be injured by the electricity involved in charging the battery.
- Read the safety instructions on the battery.
- Examine the battery, charger and their connectors for excessive wear or damage each time you charge the battery. If damage or excessive wear is detected, do not use the charger or the battery until you have replaced the worn or damaged part.



### CAUTION

Use the charger in dry locations only.

- Make sure you charge the battery for at least 18 hours using the enclosed Power Wheels® 12 volt charger before operating your vehicle for the first time. Charge the battery for at least 14 hours after each use of the vehicle. Never charge the battery longer than 30 hours. Failure to follow these instructions may damage your battery and will void your warranty.
- Use only a Power Wheels® 12 volt charger with “12V” connector (input 120 VAC, 60Hz, with an output of 12 VDC) to charge your Power Wheels® 12 volt battery.



- Plug the charger connector into the battery socket **A**.
- Plug the charger into a standard wall outlet **B**.

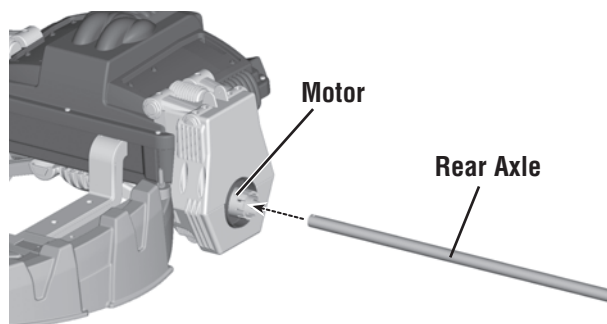
#### Notes:

- If power flow to the wall outlet is controlled by a switch, make sure the switch is “ON”.
- Use the charger only in a wall outlet. Do not plug the charger into a ceiling outlet.
- Before charging the battery, examine the battery case for cracks and other damage which may cause sulfuric acid (electrolyte) to leak during the charging process. If damage is detected, do not charge the battery or use it in your vehicle. Battery acid is very corrosive and can cause severe damage to surfaces it contacts.
- Do not place the battery on a surface (such as kitchen counter tops) which could be damaged by the acid contained inside the battery. Take precautions to protect the surface on which you place your battery.
- Charge the battery in a well ventilated area.
- Once the battery is charged, disconnect the battery connector from the charger connector. Unplug the charger from the wall outlet. Refer to the Battery Installation section for instructions on installing your battery. If your battery is already installed in your vehicle, simply re-connect the motor harness connector to the battery.
- You do not need to remove the battery from your vehicle to recharge it.

# Assembly

## WARNING

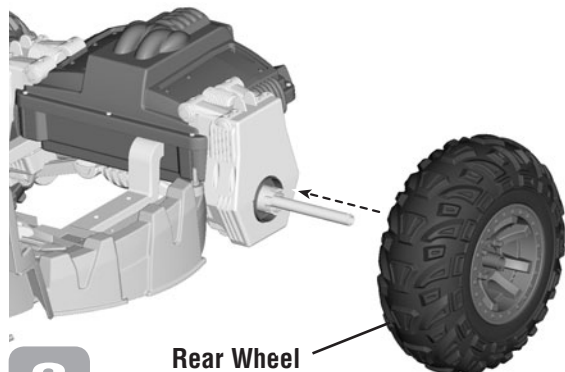
Children can be harmed by small parts, sharp edges and sharp points in the vehicle's unassembled state, or by electrical items. Care should be taken in unpacking and assembly of the vehicle. Children should not handle parts, including the battery, or help in assembly of the vehicle.



1

SIDE VIEW

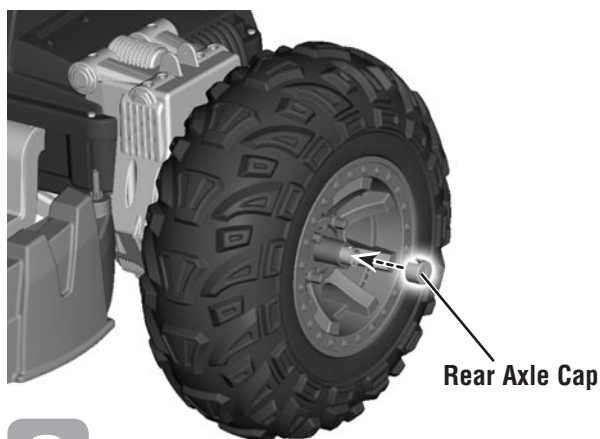
- Slide the rear axle through the hole in the motor in the back end of the vehicle.



2

Rear Wheel

- Slide a rear wheel onto the end of the rear axle.

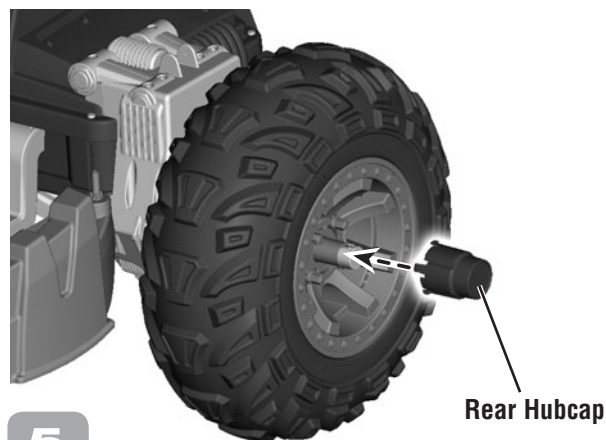


3

- Fit a rear axle cap onto the end of the rear axle.



- Insert a #8 x  $\frac{3}{4}$ " (1,9 cm) screw into the hole in the rear axle and tighten.

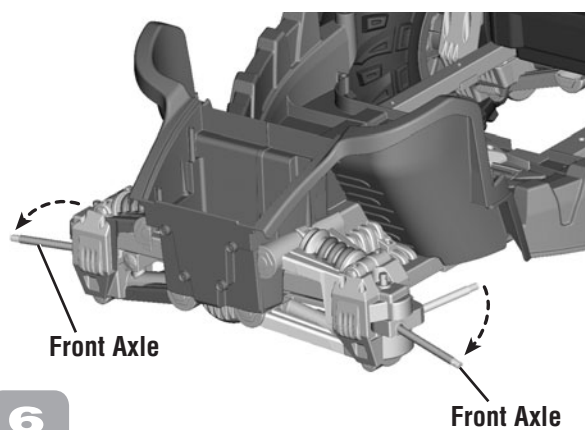


5

- Fit the tabs on the rear hubcap into the slots in the rear wheel. Push to **"snap"** into place.
- Repeat steps 2-5 to assemble the other rear wheel, rear axle cap and rear hubcap to the rear axle.

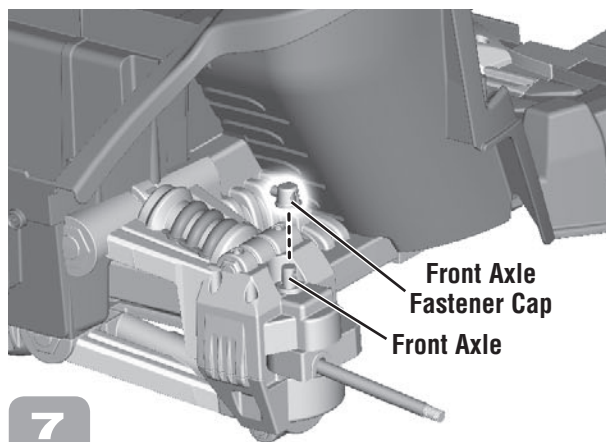


## ASSEMBLY



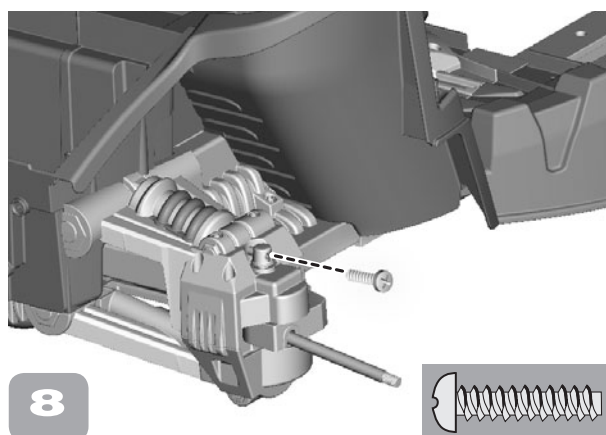
6

- Pull to rotate the front axles completely towards the front of the vehicle.



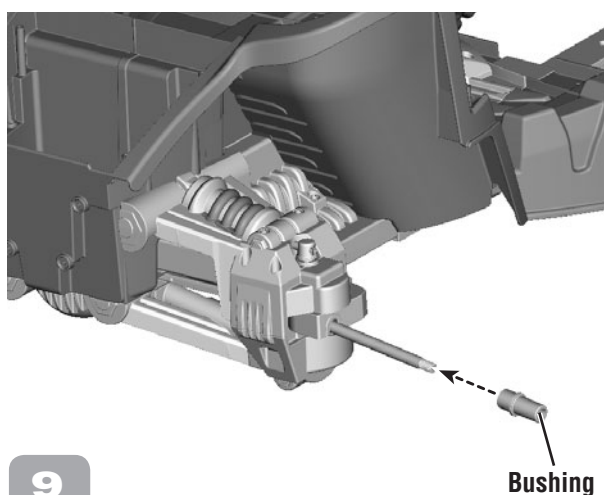
7

- Fit a front axle fastener cap onto the upper portion of a front axle.



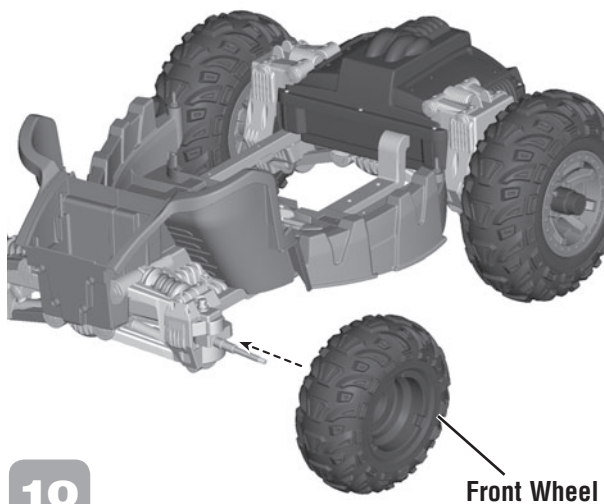
8

- Align the hole in the axle fastener cap with the hole in the front axle.
- Hint:** You may need to push the front axle towards the front of the vehicle while you insert the screw.
- Insert a #8 x 3/4" (1,9 cm) screw into the **large opening** in the front axle fastener cap and tighten.
  - Repeat steps 7 and 8 to assemble the other front axle fastener cap.



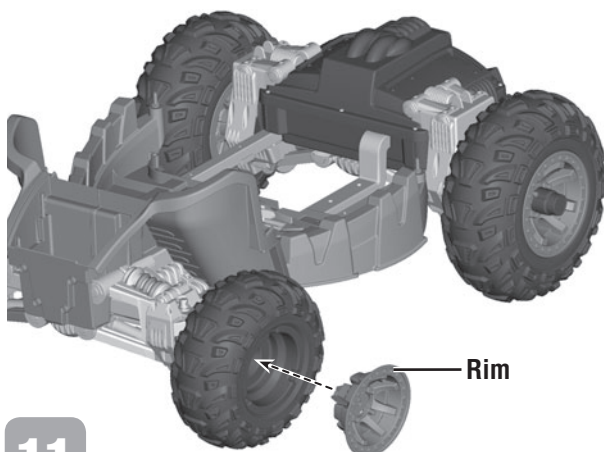
9

- Remove the cap on the end of the front axle. Dispose of the cap in the trash.
- Slide a bushing, **ring end first**, onto a front axle.



10

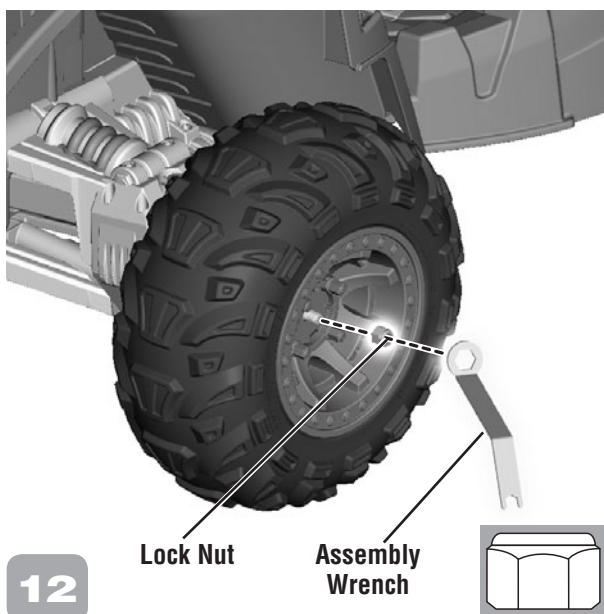
- Slide a front wheel, **flat side first**, onto the front axle.



11

- Slide a rim, **indented side out**, onto the front axle.

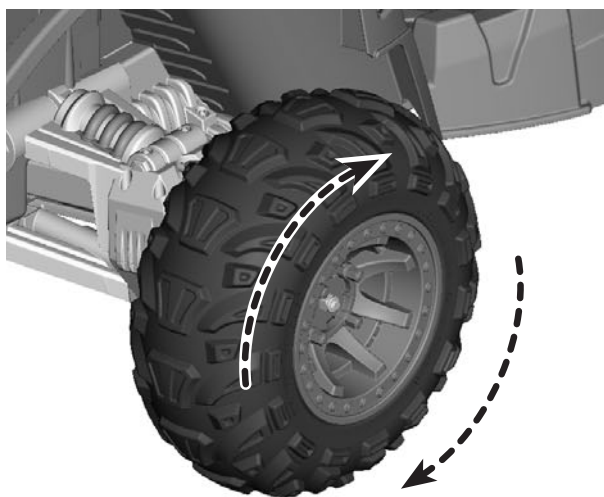
# ASSEMBLY



12

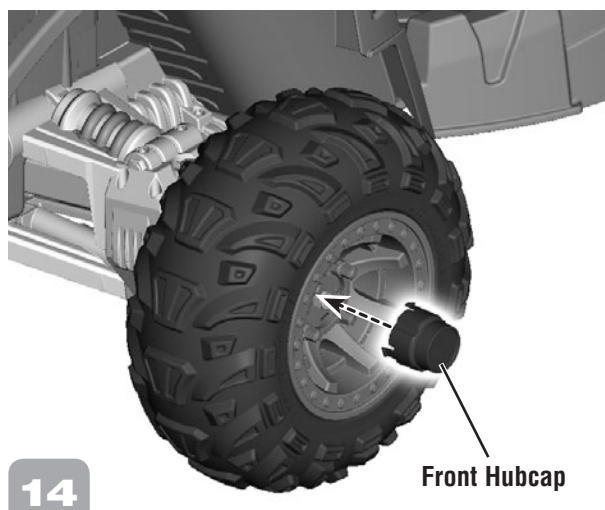
- Fit a  $\frac{3}{8}$ " (1 cm) lock nut onto the end of the front axle and tighten with the assembly wrench.

**IMPORTANT!** Fully tighten the lock nut with the included assembly wrench.



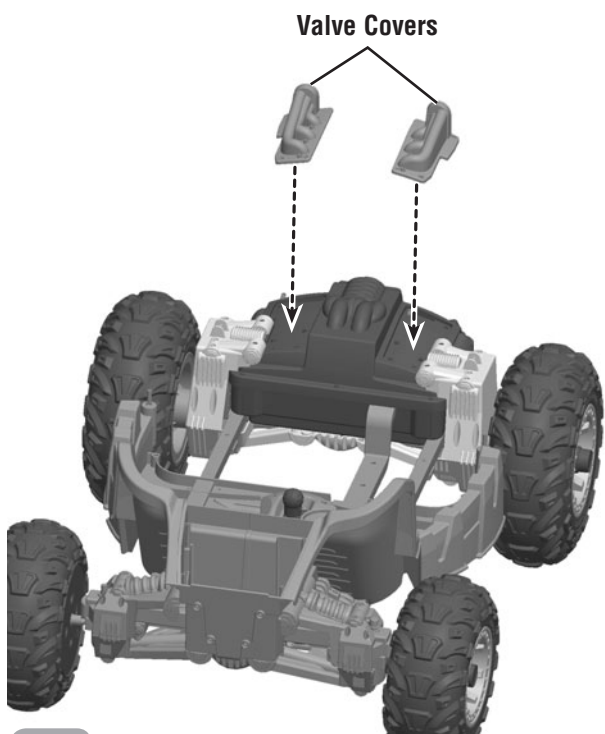
13

- Test to be sure the wheel spins. Lift the front end of the vehicle up slightly and turn the wheel. It should spin freely.
- If the wheel does not spin freely, use the assembly wrench to loosen the lock nut a  $\frac{1}{4}$ " turn. Spin the wheel again and loosen more, if necessary.



14

- Fit the tabs on the front hubcap into the slots in the front wheel. Push to "snap" into place.
- Repeat steps 9-14 to assemble the remaining bushing, front wheel, rim and front hubcap to the other front axle.



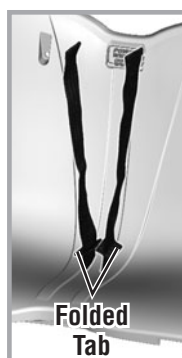
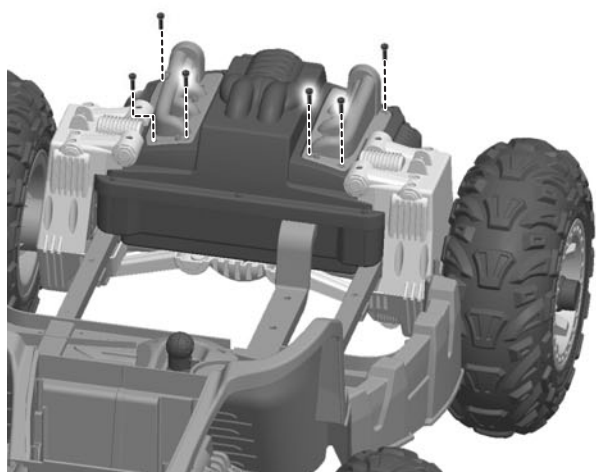
15

FRONT VIEW

- Fit each valve cover onto the back end of the vehicle frame, as shown.

**Hint:** Each valve cover is designed to fit one way. If the valve cover does not seem to fit, try the other valve cover.

# ASSEMBLY



Fastener Side

Fastener Side

Long Seat Belt

18

**Note:** Make sure the fasteners on the long seat belt are facing the fasteners on the short seat belts.

- Insert the ends of the long seat belt up through the slots in the center of the seat.
- Fit the folded tabs on the belt up through the slots in the center of the seat to keep the long seat belt in place. Make sure the folded tabs are on visible on the top side of the seat.

16



- Insert three #8 x 3/4" (1,9 cm) screws into each valve cover and tighten.



Short Seat Belts



17

**Note:** Make sure the fasteners on both short seat belts face each other.

- Fit the folded end of each short seat belt down through the outer slots in the seat. Do not insert the folded tab into the slot. Pull up on each seat belt to make sure it is secure.

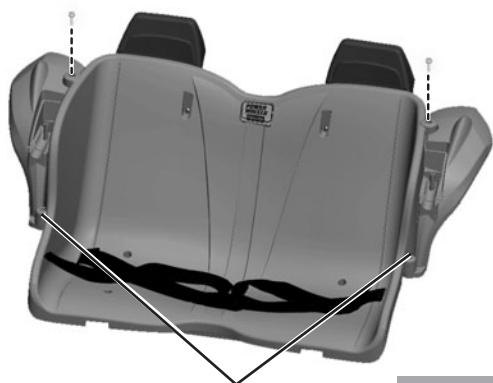


Rear Fenders

19

- Fit the rear fenders under the tabs the sides of the seat, as shown.

# ASSEMBLY



20

DO NOT insert screws here.

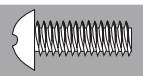


- Insert two #8 x 3/4" (1,9 cm) screws into the **upper** hole in each side of the seat and tighten.

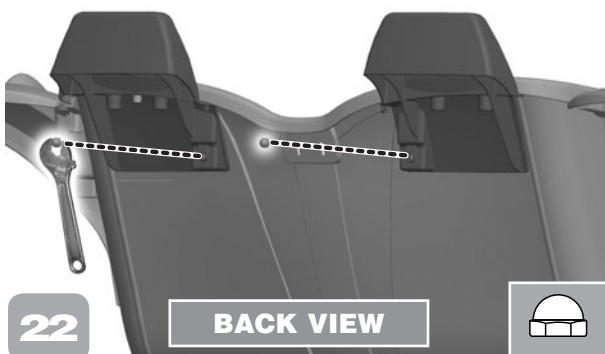
**Note:** Do not insert screws into the lower holes on the seat in this step. These screws will be assembled in this location in step 24.



21



- Insert a #8 x 1/2" (1,3 cm) screw into a hole in the front of the seat back.

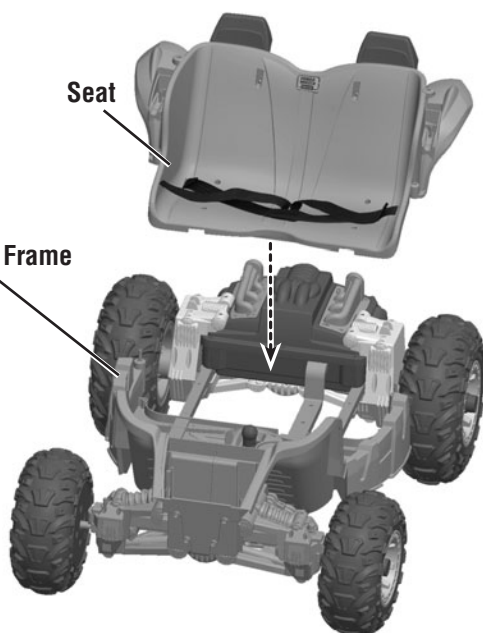


22

BACK VIEW



- From behind the seat back, fit a #8-32 acorn nut onto the end of the screw.
- While holding the acorn nut in place with the assembly wrench, tighten the screw with a Phillips screwdriver.
- Repeat assembly steps 21 and 22 to assemble the remaining #8 x 1/2" screw and #8-32 acorn nut to the seat back.



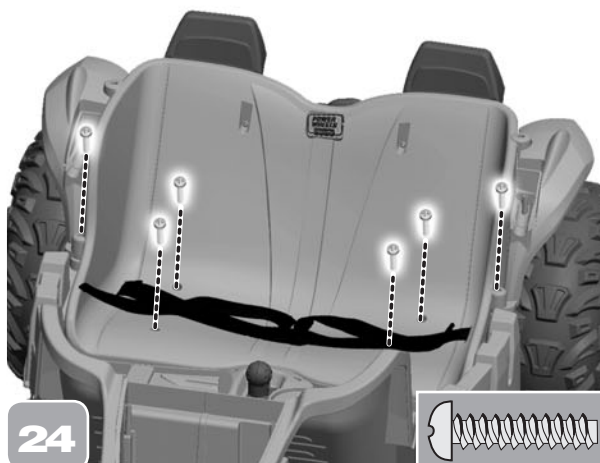
Seat

Vehicle Frame

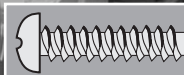
23

FRONT VIEW

- Fit the seat onto the vehicle frame.



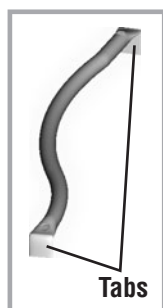
24



- Insert six #8 x 3/4" (1,9 cm) screws into the seat and tighten.

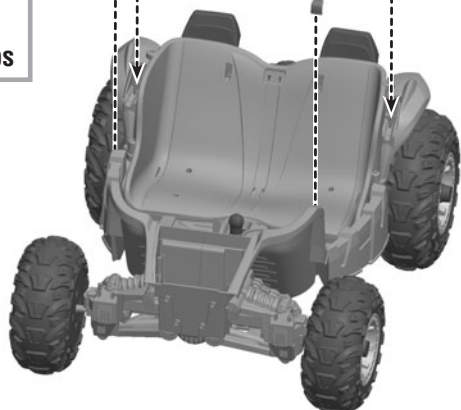


# ASSEMBLY



Sidebar with Curve Out

Sidebar with Curve Out



25

- Fit the sidebars into the slots in the vehicle frame and rear fenders.

**Hint:** Each sidebar is designed to fit one way. Make sure the sidebar curves outward and the tabs on the ends fit into the slots in the vehicle and fenders.

Front Fenders



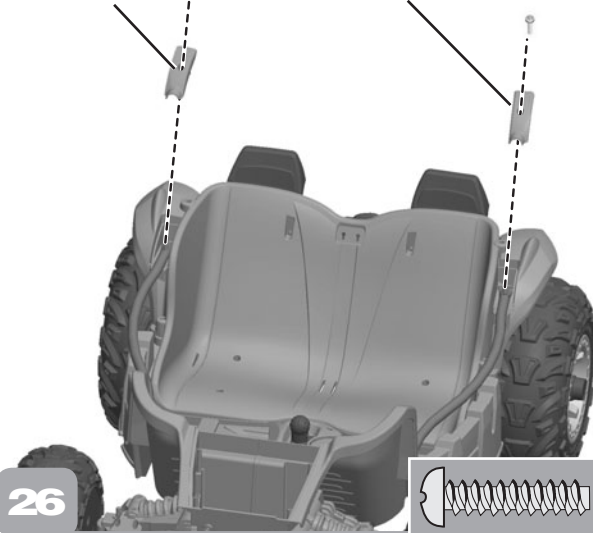
27

- Fit the front fenders onto the front of the vehicle, as shown.

**Hint:** The front fenders are designed to fit one way. If a front fender does not seem to fit, try the other one!

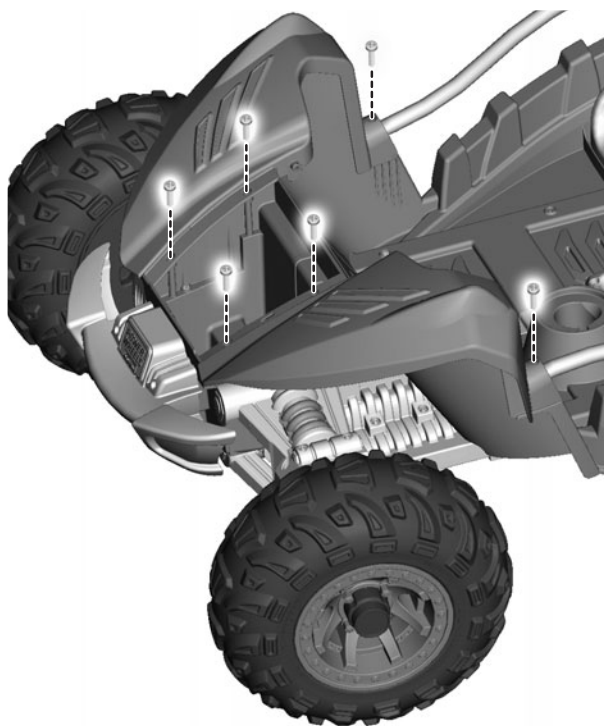
Sidebar Cover

Sidebar Cover



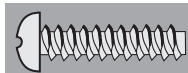
26

- Fit the sidebar covers onto the sidebars, as shown.
- Hint:** The sidebar covers are designed to fit one way. If a sidebar cover does not seem to fit, try the other one!
- Insert a #8 x 3/4" (1,9 cm) screw into each sidebar cover and tighten.



28

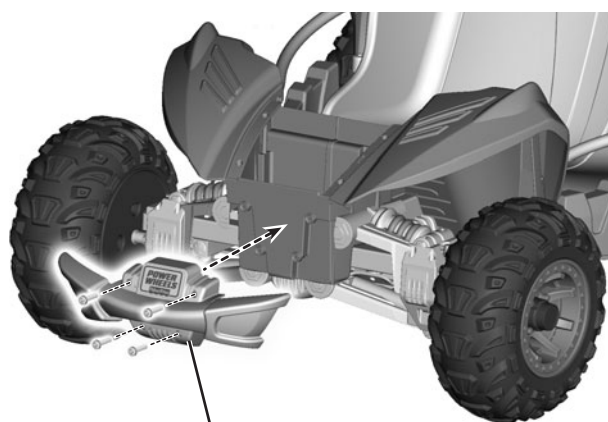
TOP SIDE VIEW



- Insert six #8 x 3/4" (1,9 cm) screws into the fenders and tighten.



# ASSEMBLY



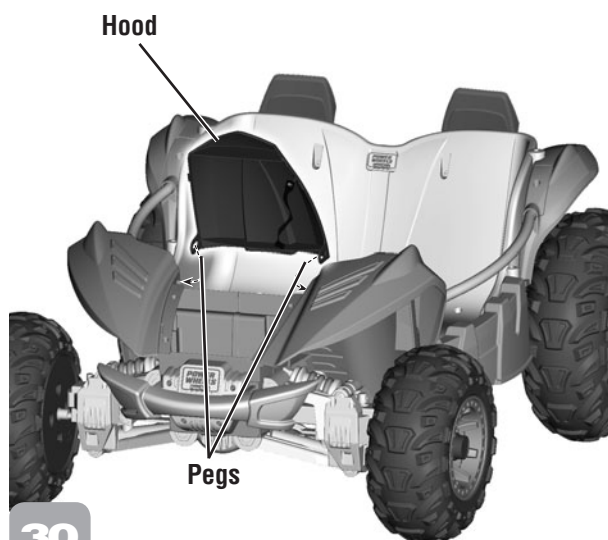
Bumper

29

FRONT VIEW



- Fit the bumper onto the front end of the vehicle.
- Insert four #8 x 3/4" (1,9 cm) screws into the bumper and tighten.

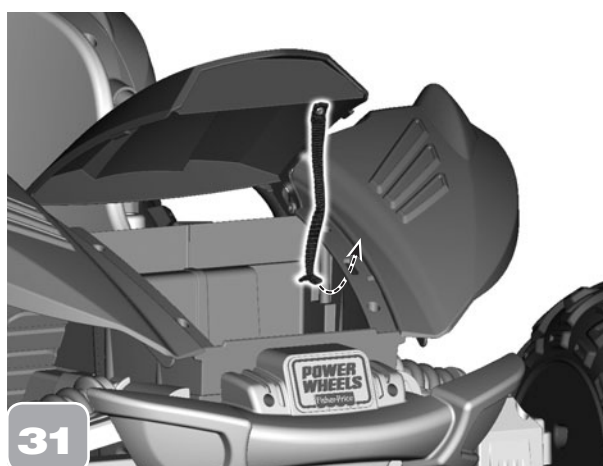


Hood

Pegs

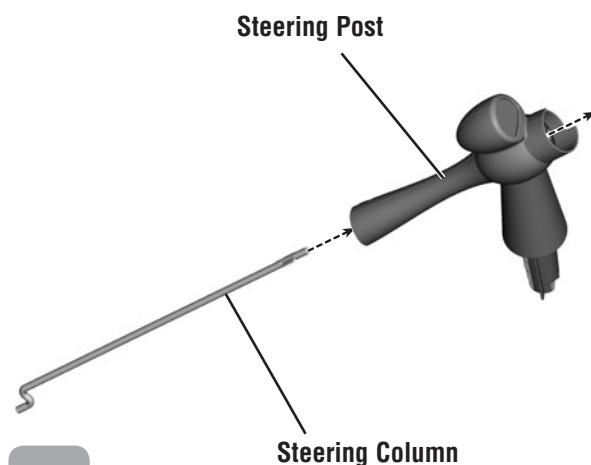
30

- Fit the tabs on the hood onto the pegs on the front fenders.



31

- Fit the folded end of the strap attached to the hood up into the slot in the front end of the vehicle.



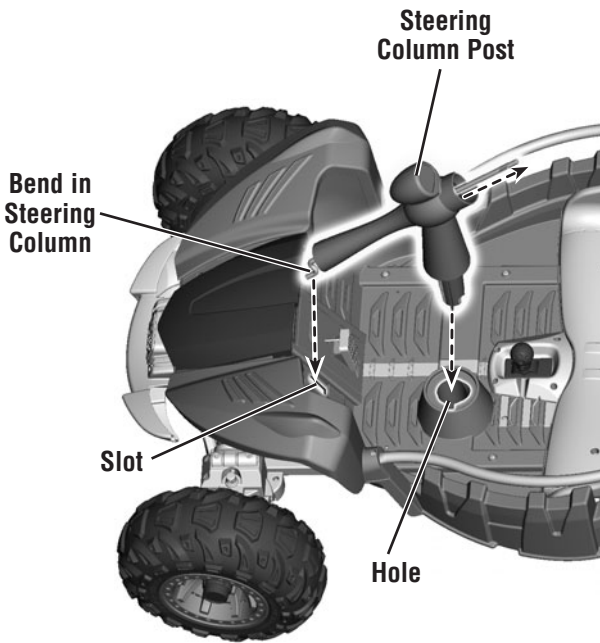
Steering Post

Steering Column

32

- Insert the straight end of the steering column up through the bottom of the steering post, as shown.

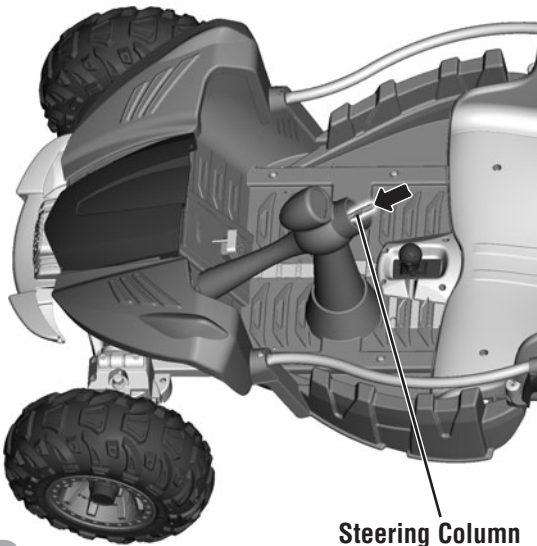
# ASSEMBLY



33

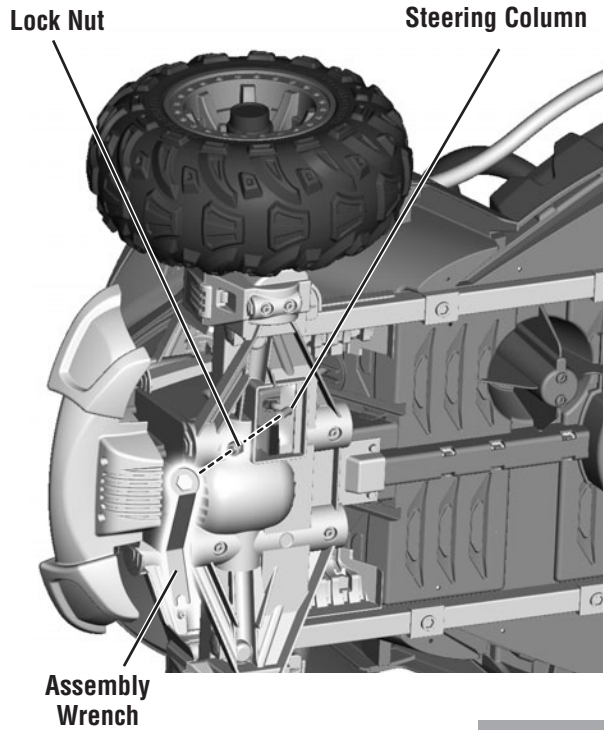
TOP SIDE VIEW

- Pull the straight end of the steering column up so that only the bend is visible (out from the bottom of the steering column post).
- Hold the steering column in place and lower the assembly to fit both the steering column post into the hole in the floor of the vehicle and the steering column into the slot in the front end of the vehicle.



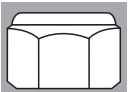
34

- Push the steering column down (so that it inserts into the slot in the steering linkage underneath the vehicle).

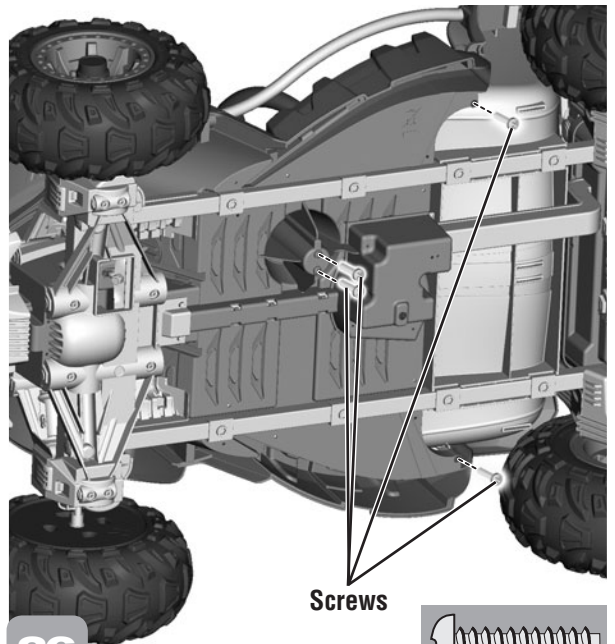


35

BOTTOM VIEW

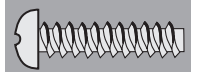


- Carefully turn the vehicle on its side.
- Fit the steering column through the hole in the steering linkage.
- Fit a  $\frac{3}{8}$ " (1 cm) lock nut onto the end of the steering column and tighten with the assembly wrench.



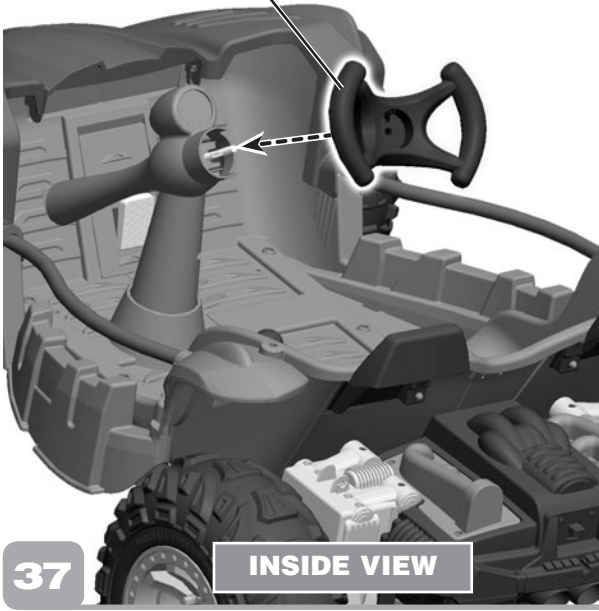
36

- Insert four #8 x  $\frac{3}{4}$ " (1.9 cm) screws into the holes in the bottom of the vehicle (to hold the steering column post and seat) and tighten.



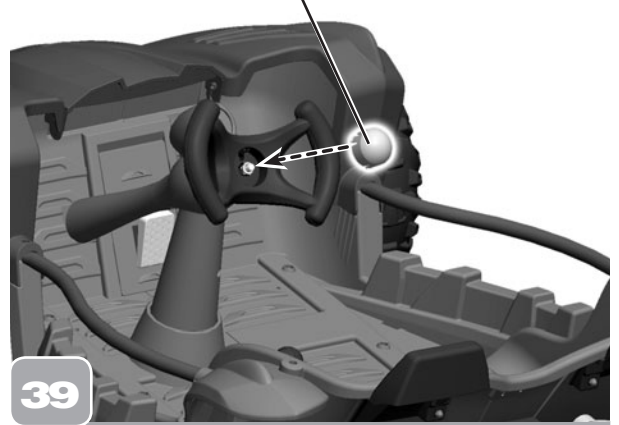
# ASSEMBLY

Steering Wheel



- Turn the vehicle upright.
  - Fit the steering wheel onto the steering column assembly.
- Hint: The steering wheel is designed to fit the steering column one way. If it does not seem to fit, turn it around and try again!*

Steering Wheel Cap

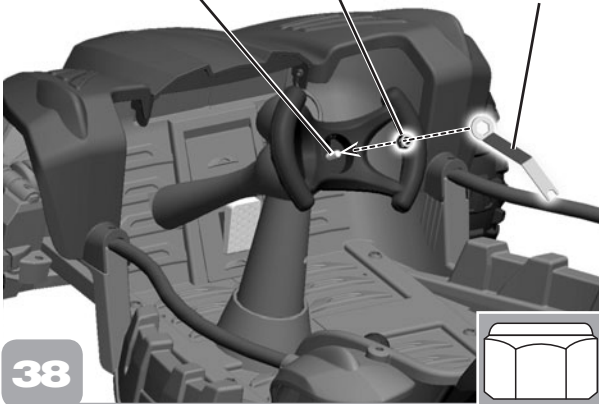


- Fit the steering wheel cap to the center of the steering wheel. Push to "snap" into place.

Steering Column

Lock Nut

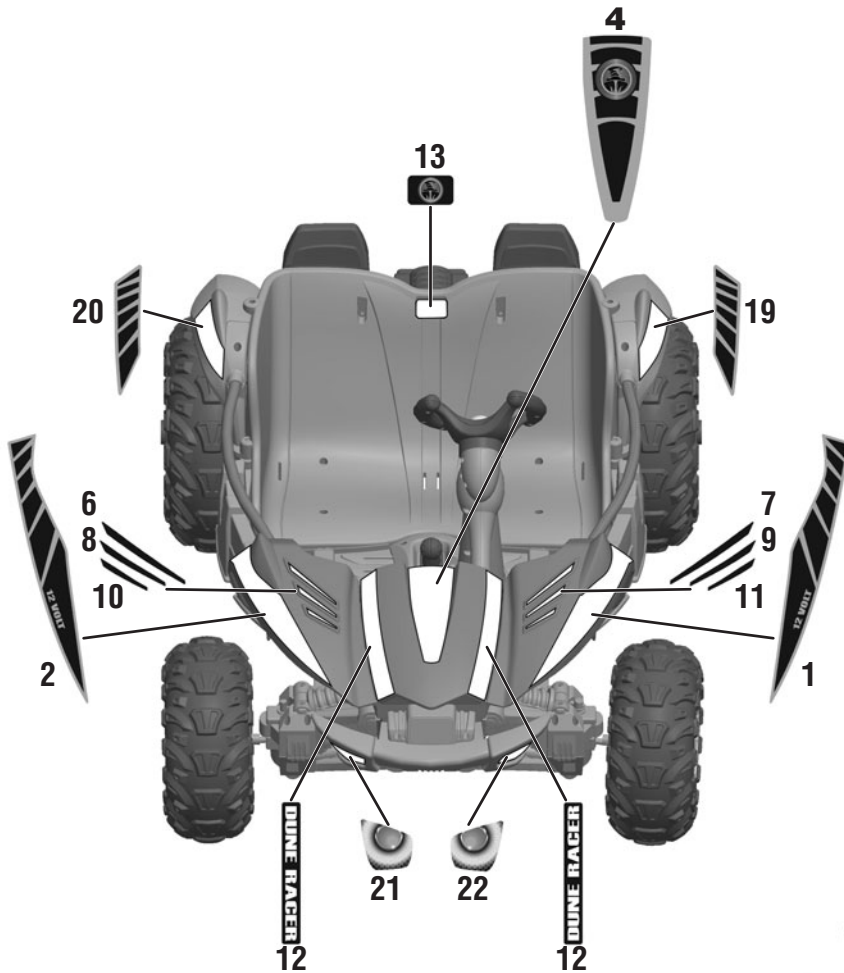
Assembly Wrench



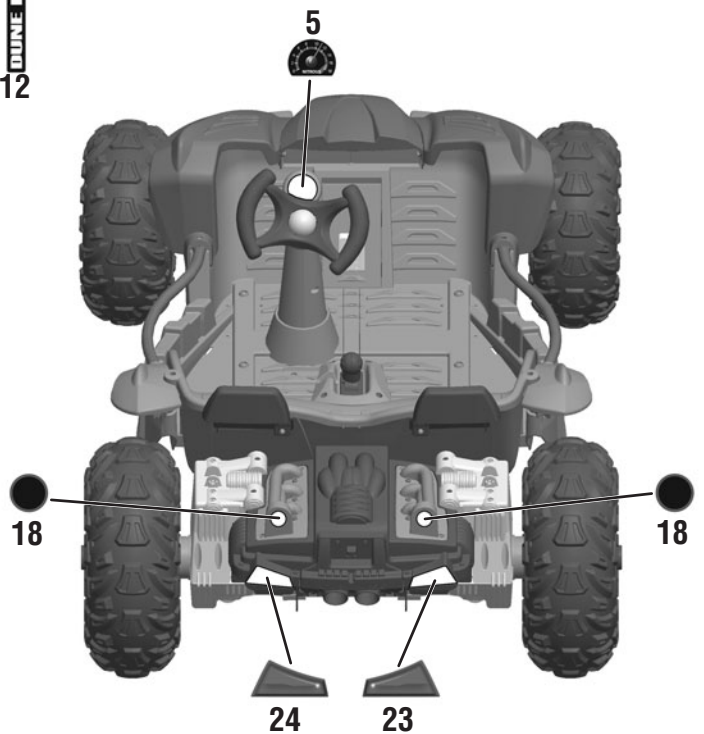
- Fit a  $\frac{3}{8}$ " (1 cm) lock nut onto the end of the steering column and tighten with the assembly wrench.

# DECORATION

- Before applying the labels, wipe the surface of the vehicle with a clean, dry cloth to remove any dust or oils.
- Place the labels exactly as shown in the illustrations. For best results, avoid repositioning a label once it has been applied to the vehicle.
- After applying a label, rub the label firmly with a clean, dry cloth to make sure the label is adhered to your vehicle. Start at the center of a label, and smooth towards the outer edges to remove air bubbles.

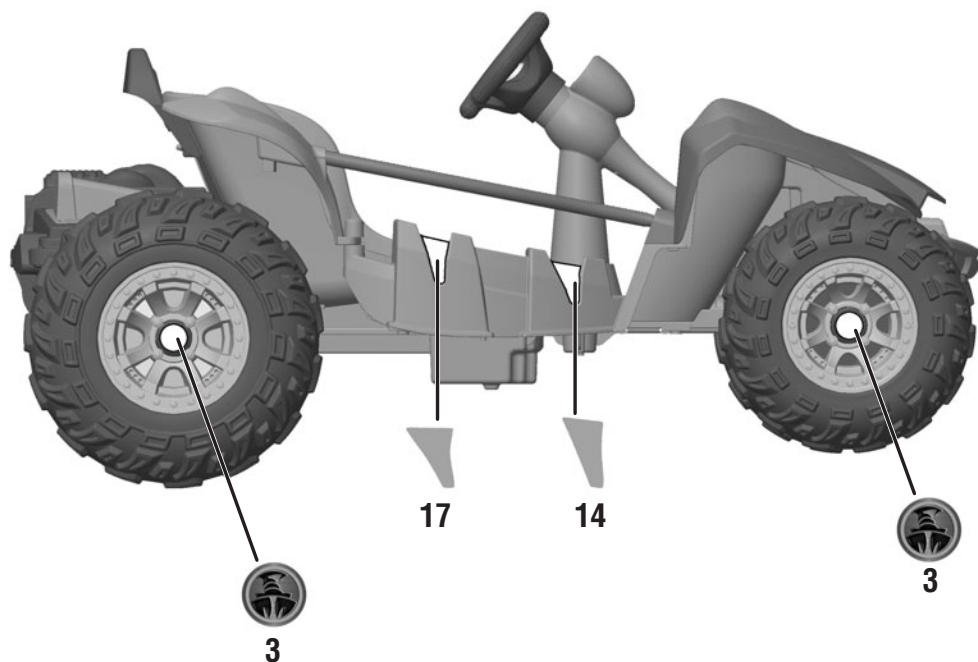


**TOP VIEW**

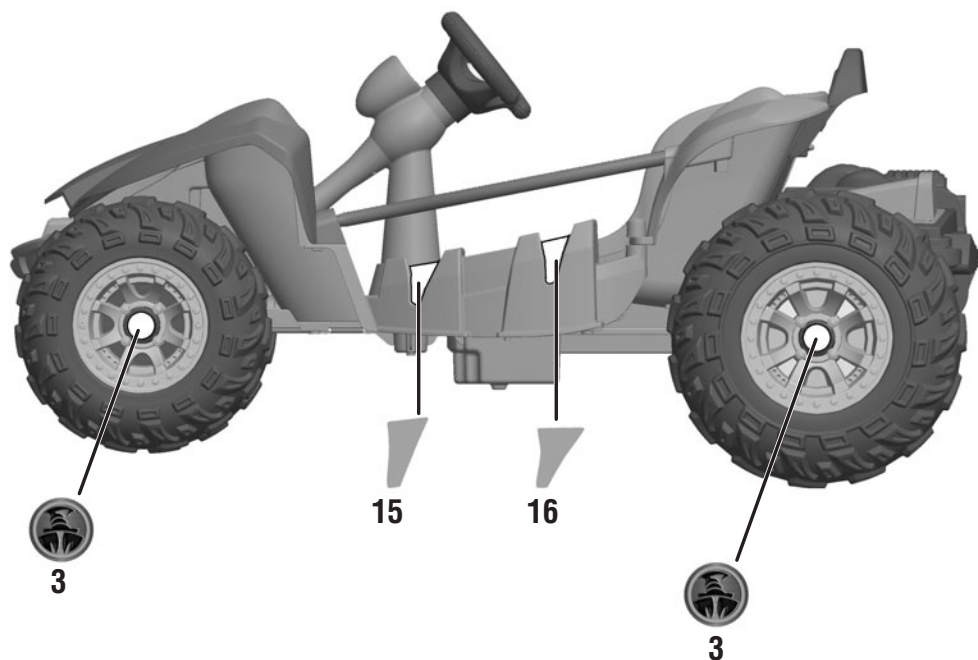


**BACK VIEW**

# DECORATION



**RIGHT SIDE VIEW**

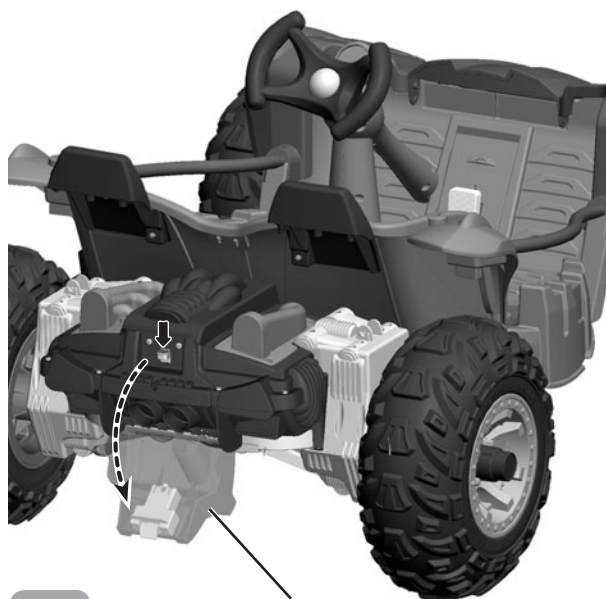


**LEFT SIDE VIEW**



# BATTERY INSTALLATION

**IMPORTANT!** Use only a Power Wheels® 12 volt battery. Use of any other battery will damage your vehicle.



1

Battery Door

- Press the battery door button on the back end of the vehicle.
- Lower the battery door.



2

Power Wheels®  
12 Volt Battery

- Carefully fit the battery into the battery compartment.



3

Motor Harness

- Plug the motor harness connector into the battery. Push firmly.



4

Battery Door

- Lift the battery door and "snap" into place.

# SAFE DRIVING RULES

## RIDING HAZARD



### WARNING

- **Prevent Injuries and Deaths**

- Direct Adult Supervision Required.
- Never Ride at Night.
- Keep Children Within Safe Riding Areas.

These areas must be:

- Away from swimming pools and other bodies of water to prevent drownings.
- Generally level to prevent tipovers.
- Away from steps, steep inclines, cars, roads and alleys.
- Riding Rules  
Make sure children know and follow these rules for safe driving and riding.
  - Always sit on the seat.
  - Always wear shoes.
  - Only 2 (two) riders at a time.

Before children use this vehicle, an adult should carefully evaluate the driving area as well as the child's skill level and ability to drive the vehicle safely. Teach appropriate safety rules to your child before allowing operation of this vehicle. These rules should also be reviewed with other playmates who want to drive the vehicle.

- A child who is not sitting on the seat could fall off, cause a tip over or block the driver's view.
- Only operate the vehicle in the daytime in a well-lit area.
- Driving near steep inclines can cause:
  - The vehicle to gain unsafe speed, even if the pedal is released to stop.
  - The vehicle to tilt and tip over
  - The wheels to lose traction, causing the vehicle to slip.
  - The vehicle could roll backwards at an unsafe speed.
- Never put anything near any moving parts. Rotating parts, such as motors, gear boxes and wheels, can snag fingers, hair, etc., causing serious injury.
- Do not allow operation of the vehicle when it is on its side or in an upside-down position.
- Do not operate the vehicle near flammable vapors (gasoline, paint thinner, acetone, liquid wax, etc.). The vehicle's electrical switches, like most electrical switches, emit an internal spark when first turned on or turned off, which could cause an explosion or fire.
- To prevent unsupervised use of the vehicle, disconnect the motor harness from the battery when the vehicle is not in use.

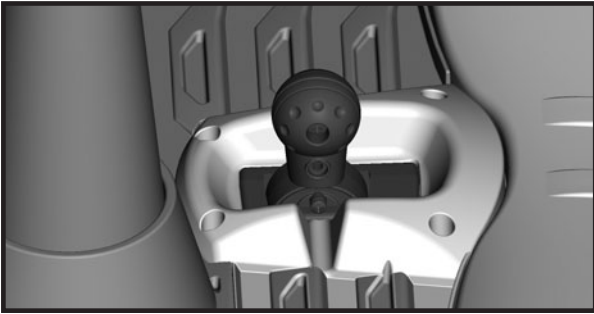



Use vehicle on generally level ground **ONLY!**

# VEHICLE OPERATION


Help your child practice steering to learn how far and how quickly to turn the steering wheel when driving, and automatically knows how to stop.

## Beginner Use – Low Speed

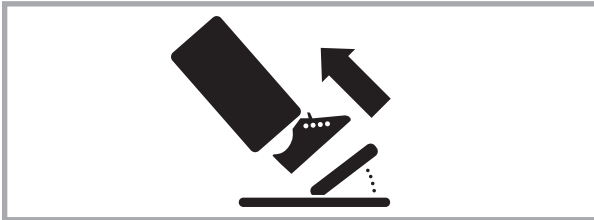


- Make sure the shifter is in the low speed  position.
- Press down on the foot pedal.

**IMPORTANT!** To avoid damaging the motors and gears, stop the vehicle before shifting from forward to reverse.

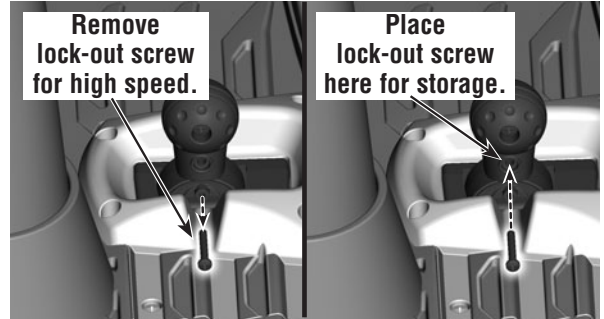
- Make sure the shifter is in the reverse  position.
- Press down on the foot pedal. The vehicle is designed to operate in low speed only in reverse.

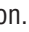

## Stop



- Your vehicle has a patented, electronic braking system that automatically stops the vehicle when your child's foot lifts from the pedal.

## Advanced Use – High Speed



- Before you disconnect the high speed lock-out, make sure your child knows how to steer, start and stop the vehicle, and knows the safe driving rules. When the high speed lock-out is disconnected, the vehicle can be driven forward in low (2½ mph/4 km/hr, maximum) or high speed (5 mph/8 km/hr, maximum).
- Make sure the shifter is in the reverse  position.
- Loosen and remove the screw in the shifter base.
- Replace the lock-out screw into the hole in the shifter for future use. It can be re-inserted into the shifter base to lock-out high speed.
- Make sure the shifter is in the high speed  position.
- Press down on the foot pedal.

## BATTERY CARE

If a battery leak develops, avoid contact with the leaking acid and place the damaged battery in a plastic bag. See next section for proper disposal.

If acid comes in contact with skin or eyes, flush with cool water for at least 15 minutes and call a physician.

If acid is internally ingested, give water, milk of magnesia or egg whites immediately. Never give emetics or induce vomiting. Call a physician.

- Do not allow the battery to run down completely before charging.
- Charge the battery before storing the vehicle, and at least once per month, even if the vehicle has not been used.
- Charge the battery after each use, regardless of how long the vehicle was used.
- Leaving the battery in a discharged condition will ruin it.
- Always remove an exhausted battery from the vehicle. Battery leakage and corrosion can damage the vehicle.
- Do not store the battery in temperatures above 75° F or below -10° F.

## BATTERY DISPOSAL

- Your Power Wheels® battery is a non-spillable, sealed lead-acid battery. It must be recycled or disposed of in an environmentally sound manner.
- Do not dispose of a lead-acid battery in a fire. The battery may explode or leak.
- Do not dispose of a lead-acid battery in your regular, household trash. The incineration, landfilling or mixing of sealed lead-acid batteries with household trash is prohibited by law in most areas.
- Protect the environment by not disposing of this product with household waste (2002/96/EC). Check your local authority for recycling advice and facilities (Europe only).
- Return an exhausted battery to a federal or state approved lead-acid battery recycler, such as a Power Wheels® authorized service center or a local seller of automotive batteries. Contact your local waste management officials for other information regarding the environmentally sound collection, recycling and disposal of lead-acid batteries. If you live in the State of Florida or the State of Minnesota, it is prohibited by law for anyone to throw away lead-acid batteries in the municipal waste stream.

## ICES-003

This Class B digital apparatus complies with Canadian ICES-003. Operation is subject to the following two conditions: (1) this device may not cause harmful interference and (2) this device must accept any interference received, including interference that may cause undesired operation.

## NMB-003

Cet appareil numérique de la classe B est conforme à la norme NMB-003 du Canada. L'utilisation de ce dispositif est autorisée seulement aux conditions suivantes: (1) il ne doit pas produire de brouillage et (2) l'utilisateur du dispositif doit être prêt à accepter tout brouillage radioélectrique reçu, même si ce brouillage est susceptible de compromettre le fonctionnement du dispositif.

## VEHICLE CARE

- Check all screws and their protective coverings regularly and tighten as required. Check plastic parts on a regular basis for cracks or broken pieces.
- During snowy or rainy weather, the vehicle should be stored inside or under a protective cover.
- Avoid operating the vehicle in wet or snowy conditions. Water or moisture in the motors or electrical switches can cause them to corrode, and could cause switch or motor failure.
- Avoid operating the vehicle on sand, loose dirt or gravel. Sand, loose dirt or gravel in the motors or electrical switches can cause them to jam, and could cause switch or motor failure.
- The vehicle can be wiped down with a soft, dry cloth. For a shiny finish, you can wipe plastic parts with a non-wax furniture polish applied to a soft cloth. Do not use automotive wax. Do not use soap and water or spray the vehicle with a hose.
- To ensure your vehicle stays in good operating order, we recommend you periodically have your vehicle checked by a Power Wheels® authorized service center.

## LIMITED WARRANTY

### Bumper-to-Bumper\* Limited Warranty

**\*One year limited warranty from the date of purchase on the Power Wheels® vehicle.**

**Six month limited warranty on the 12 volt battery.**

For the original purchaser, this one year limited warranty covers the Power Wheels® ride-on vehicle (purchased from Power Wheels®) against defects in materials and workmanship. The six month limited warranty applies only to the 12 volt battery included by Power Wheels® with the original purchase of the vehicle. This warranty covers normal use and does not cover the Power Wheels® vehicle or battery if damaged by unreasonable use, neglect, accident, abuse, misuse, improper service or other causes not arising out of defects in materials or workmanship. Evidence of any attempt at consumer repair will void this warranty.

**THIS WARRANTY DOES NOT COVER, AND IS INTENDED TO EXCLUDE, ANY LIABILITY ON THE PART OF POWER WHEELS®, WHETHER UNDER THIS WARRANTY OR IMPLIED BY LAW FOR ANY INDIRECT OR CONSEQUENTIAL DAMAGES FOR BREACH OF WARRANTY. SOME STATES DO NOT ALLOW THE EXCLUSION OR LIMITATION SO THIS LIMITATION MAY NOT APPLY TO YOU.**

Should you need service or assistance with your vehicle during the warranty period, do not return the vehicle to the store. Power Wheels® has provided a nationwide network of authorized service centers. If there is not an authorized service center in your area, please visit us on-line at [www.powerwheels.com](http://www.powerwheels.com) or call Consumer Relations for information, **1-800-348-0751**.

This warranty gives you specific legal rights, and you may also have other rights which may vary from state to state.

**PLEASE SAVE YOUR ORIGINAL SALES RECEIPT.**




# PROBLEMS AND SOLUTIONS GUIDE

**IMPORTANT!** If you experience a problem with your vehicle, first check the Problems and Solutions Guide below. If you still experience a problem, please contact Power Wheels® Consumer Relations, or your local Power Wheels® authorized service center.

PROBLEM	POSSIBLE CAUSE	SOLUTION
Vehicle does not run	Undercharged battery	Charge the battery. A new battery should have been charged for at least 18 hours before using the vehicle for the first time. After first-time use, recharge the battery for at least 14 hours after each use. Never charge the battery longer than 30 hours.
		Check all connectors. Make sure the battery connector is tightly plugged into the charger connector, and that the charger is plugged into the wall.
		Make sure power flow to the wall outlet is "ON".
	Charger is not working	There is no sure way to tell if your charger is working unless you have a volt meter. If you suspect there is a problem with your charger, contact your local Power Wheels® authorized service center. They can test your charger for you.
	Tripped thermal fuse	The built-in thermal fuse may "trip" and shut down operation of the vehicle if the vehicle is overloaded or the driving conditions too severe. Once a fuse has "tripped", remove your foot from the pedal and wait 25 seconds before operating the vehicle again. To avoid repeated automatic shutdowns, do not overload the vehicle by exceeding the 130 lbs (59 kg) maximum weight capacity or by towing anything behind the vehicle. Do not drive up hills or run into fixed objects, which can cause the wheels to stop spinning while power is still being supplied to the motors. If a thermal fuse continually trips, contact your local Power Wheels® authorized service center.
	Loose wires or loose connectors	Check all wires and connectors. Make sure the battery connector is tightly plugged into the motor harness connector and that there are no loose wires around the motors.
	Dead battery	If your battery is old or if you have not followed Battery Care instructions, your battery may be dead. If you are unsure whether or not the battery are dead, you can have it tested at your local Power Wheels® authorized service center.
	Electrical switch damage	The electrical switches can become corroded due to exposure to water or moisture, or can jam due to loose dirt, sand or gravel. Contact your local Power Wheels® authorized service center for diagnosis and repair.
Motor damage	Contact your local Power Wheels® authorized service center for diagnosis and repair.	

# PROBLEMS AND SOLUTIONS GUIDE

PROBLEM	POSSIBLE CAUSE	SOLUTION
Vehicle was running but suddenly stopped	Loose wires or loose connectors	Check all wires and connectors. Make sure the battery suddenly stopped connector is tightly plugged into the motor harness connector, and that there are no loose wires around the motors.
	Tripped thermal fuse	The built-in thermal fuse may “trip” and shut down operation of the vehicle if the vehicle is overloaded or the driving conditions too severe. Once a fuse has “tripped”, remove your foot from the pedal and wait 25 seconds before operating the vehicle again. To avoid repeated automatic shutdowns, do not overload the vehicle by exceeding the 130 lbs (59 kg) maximum weight capacity or by towing anything behind the vehicle. Do not drive up hills or run into fixed objects, which can cause the wheels to stop spinning while power is still being supplied to the motors. If a thermal fuse continually trips, contact your local Power Wheels® authorized service center.
Short run time (Less than 1 - 3 hours per charge)	Undercharged battery	Charge the battery. A new battery should have been 1 - 3 hours per charge) charged for at least 18 hours before using the vehicle for the first time. After first-time use, recharge the battery for at least 14 hours after each use. Never charge the battery longer than 30 hours.
		Check all wires and connectors. Make sure the battery connector is tightly plugged into the charger connector, and that the charger is plugged into the wall.
		Make sure power flow to the wall outlet is “ON”.
	Overcharged battery	Do not charge the battery longer than 30 hours. If you suspect that your battery is damaged as a result of overcharging, contact Consumer Relations. They can test the battery for you.
	Battery is old and will not accept full charge	Even with proper care, a rechargeable battery does not last forever. Average battery life is 1 to 3 years depending on vehicle use and use conditions. Replace only with a Power Wheels® 12 Volt battery with built-in thermal fuse. <b>Do not substitute parts.</b>
Vehicle runs in low speed but does not run in high speed	High speed lock-out not disconnected	Tripped thermal fuse
		The built-in thermal fuse may “trip” and shut down operation of the vehicle if the vehicle is overloaded or the driving conditions too severe. Once a fuse has “tripped”, remove your foot from the pedal and wait 25 seconds before operating the vehicle again. To avoid repeated automatic shutdowns, do not overload the vehicle by exceeding the 130 lbs (59 kg) maximum weight capacity or by towing anything behind the vehicle. Do not drive up hills or run into fixed objects, which can cause the wheels to stop spinning while power is still being supplied to the motors. If a thermal fuse continually trips, contact your local Power Wheels® authorized service center.
Vehicle runs in low speed but does not run in high speed  Please Note: The vehicle is designed to operate in low speed only in reverse  .	High speed lock-out not disconnected	The vehicle was pre-set to run only in low speed. To allow the vehicle to run in low and high speed, you must disconnect the High Speed Lock-Out. Follow the instructions in the Vehicle Operation section to remove the High Speed Lock-Out screw.

# PROBLEMS AND SOLUTIONS GUIDE

PROBLEM	POSSIBLE CAUSE	SOLUTION
When the foot pedal is pressed only one rear wheel spins	Operation of vehicle in low speed.	It is possible that only one rear wheel may spin when both rear wheels are raised off the ground and the vehicle is in low speed. This does not necessarily indicate a problem. Check for proper operation of the drive system by raising the rear wheels off the ground and pressing the foot pedal. If only one rear wheel spins, carefully press your hand on the spinning wheel to slow it down. The other rear wheel should begin to spin. If the other rear wheel does not begin to spin, there may be a problem with the vehicle. Contact your local Power Wheels® authorized service center for diagnosis and repair.
Vehicle runs sluggishly	Undercharged battery	Charge the battery. A new battery should have been charged for at least 18 hours before using the vehicle for the first time. After first-time use, recharge the battery for at least 14 hours after each use. Never charge the battery longer than 30 hours.
		Check all connectors. Make sure the battery connector is tightly plugged into the charger connector, and that the charger is plugged into the wall.
		Make sure power flow to the wall outlet is "ON".
	Battery needs charging	Be sure to charge the battery after each use.
	Battery is old and will not accept full charge	Even with proper care, a rechargeable battery does not last forever. Average battery life is 1 to 3 years depending on vehicle use and use conditions. Replace only with a Power Wheels® 12 Volt battery with built-in thermal fuse. <b>Do not substitute parts.</b>
Vehicle runs sluggishly (continued)	Vehicle is overloaded	Make sure you do not overload the vehicle by allowing more than one rider at one time, exceeding the 130 lbs (59 kg). maximum weight capacity, or by towing objects behind the vehicle. If the vehicle is overloaded, the built-in thermal fuse in the battery may "trip", and automatically shut down. Adjust the driving conditions to prevent repeated automatic shutdowns.
	Driving conditions are too stressful	Use only on generally level ground.
Sometimes the vehicle doesn't run, but other times it does	Loose wire or connector	Check all wires around the motors and all connectors to run, but other times it does make sure they are tight.
	Motor or electrical switch damage	Contact your local Power Wheels® authorized service center for diagnosis and repair.

# PROBLEMS AND SOLUTIONS GUIDE

PROBLEM	POSSIBLE CAUSE	SOLUTION
When the foot pedal is pressed, the vehicle won't run without a push	Loose wire or connector	Check all wires around the motors and all connectors the vehicle won't run without to make sure they are tight.
	"Dead Spot" on motor	Contact your local Power Wheels® authorized service center for diagnosis and repair.
Battery's thermal fuse constantly "trips", but the vehicle is not overloaded nor the driving conditions too severe	Damaged battery	Contact your local Power Wheels® authorized service center for diagnosis and repair.
	Child is switching between FORWARD and REVERSE without stopping	Teach your child to stop the vehicle before switching direction.
Loud clacking or grinding noise from a motor-gearbox	Broken gears	Contact your local Power Wheels® authorized service center for diagnosis and repair.
Charger gets warm during use	It is normal for some chargers to get warm during use and is not reason for concern. Some chargers do not get warm during use.	No action required. If your charger does not get warm during use, it does not mean that it is not working properly.
Battery makes a sizzling or gurgling noise when charging	It is normal for some batteries to make noise and swell slightly while charging and is not reason for concern.	No action required.
		If your battery does not make noise or swell slightly during charging, it does not mean that it is not accepting the charge.



**Before first-time use,  
you must charge the  
battery 18 hours!**

Charge the battery immediately after each use.

Charge the battery once a month,  
even if the vehicle is not used or stored.

**Do not return  
your vehicle to the store!**

We're a toll-free phone call away, and we can help.  
If you are missing parts or need assistance, please call:

**1-800-348-0751**

Or contact your local **independently owned and operated**  
Power Wheels® Authorized Service Center.

For the location nearest you,  
visit us on-line at [www.powerwheels.com](http://www.powerwheels.com).

Fisher-Price, Inc., a subsidiary of Mattel, Inc., East Aurora, NY 14052 U.S.A.  
©2011 Mattel, Inc. All Rights Reserved. © and ™ designate U.S. trademarks of Mattel, Inc.