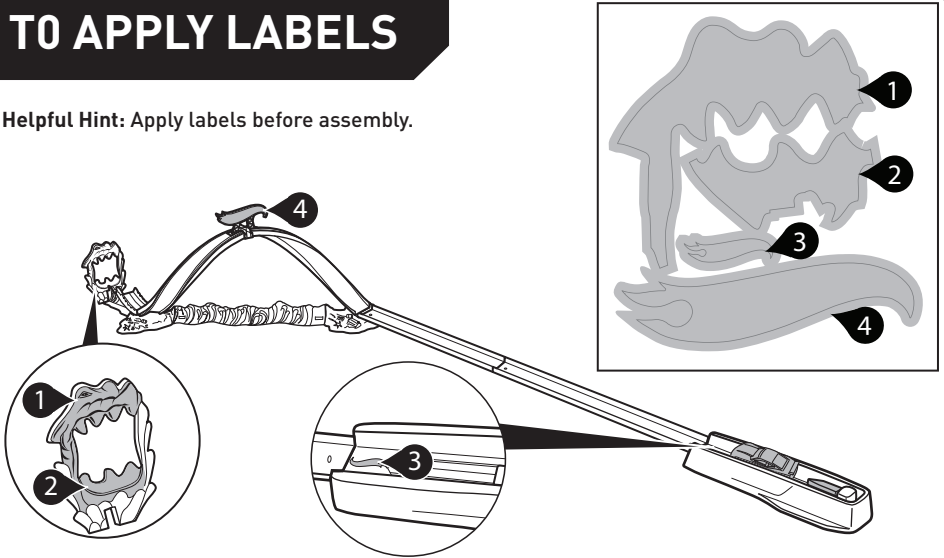
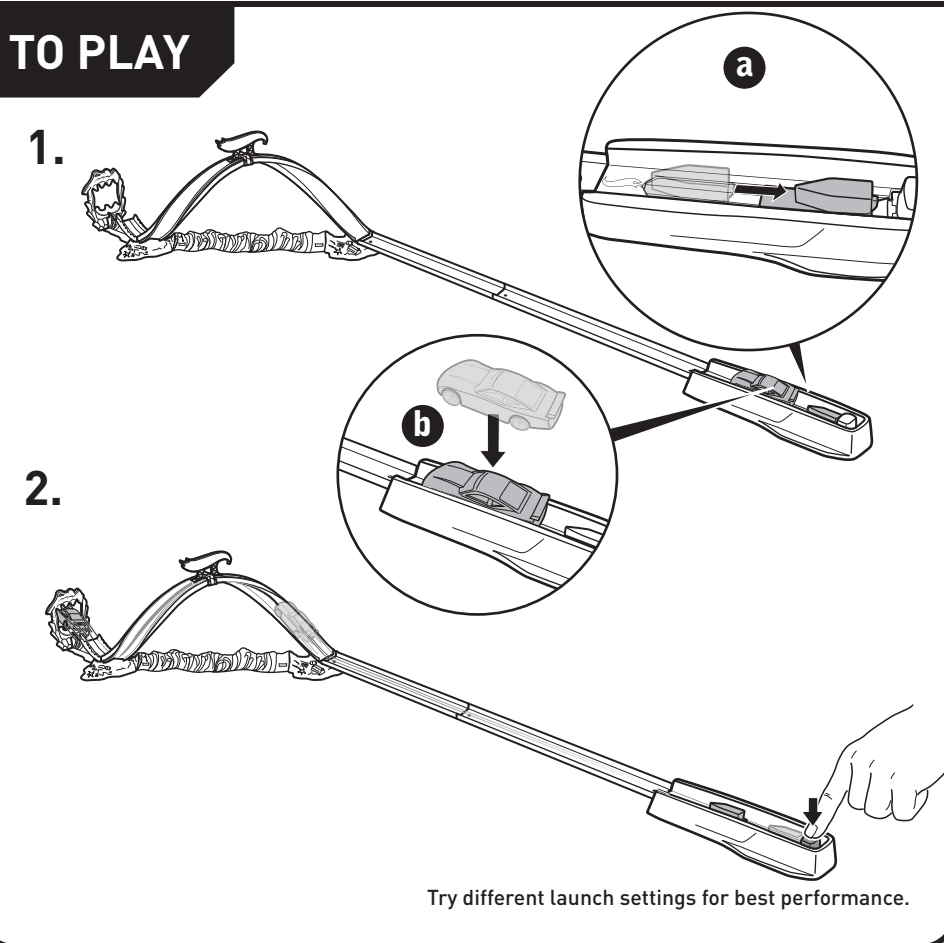


TO APPLY LABELS

Helpful Hint: Apply labels before assembly.



TO PLAY

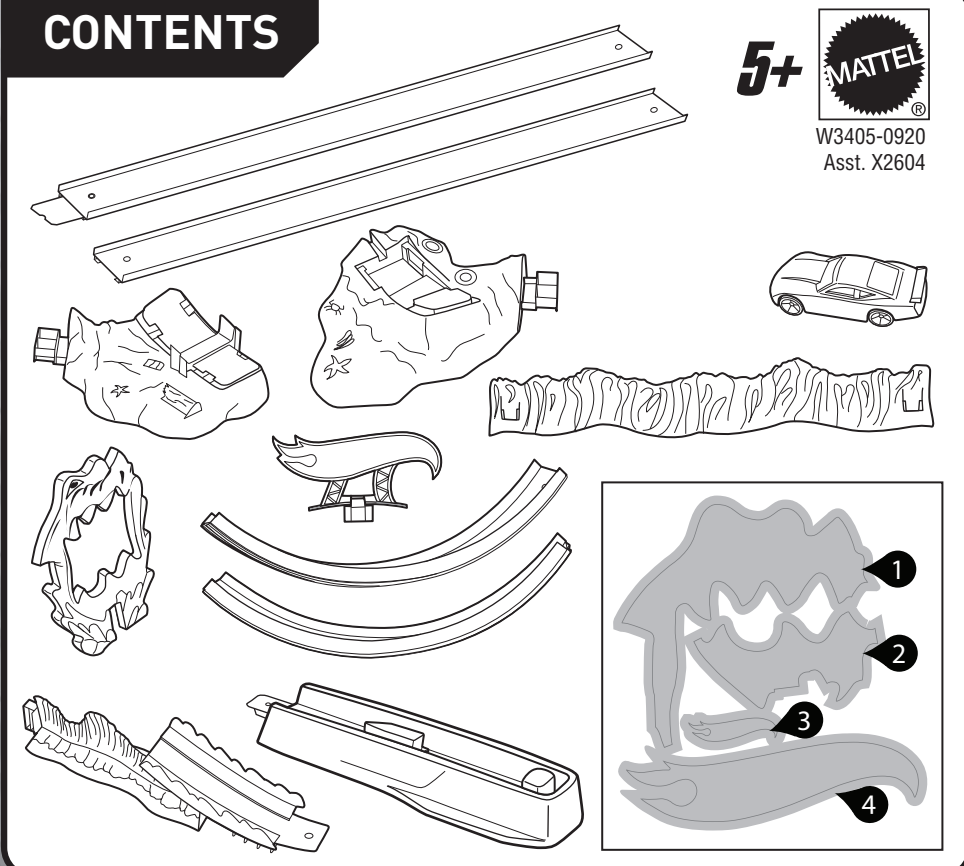


SHARK SLAMMER™

INSTRUCTIONS

Please keep these instructions for future reference as they contain important information.

CONTENTS

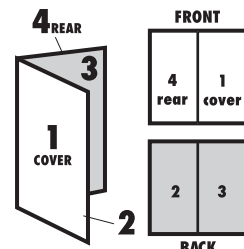


5+ **MATTEL**
W3405-0920
Asst. X2604

INSTRUCTION SHEET SPECIFICATIONS

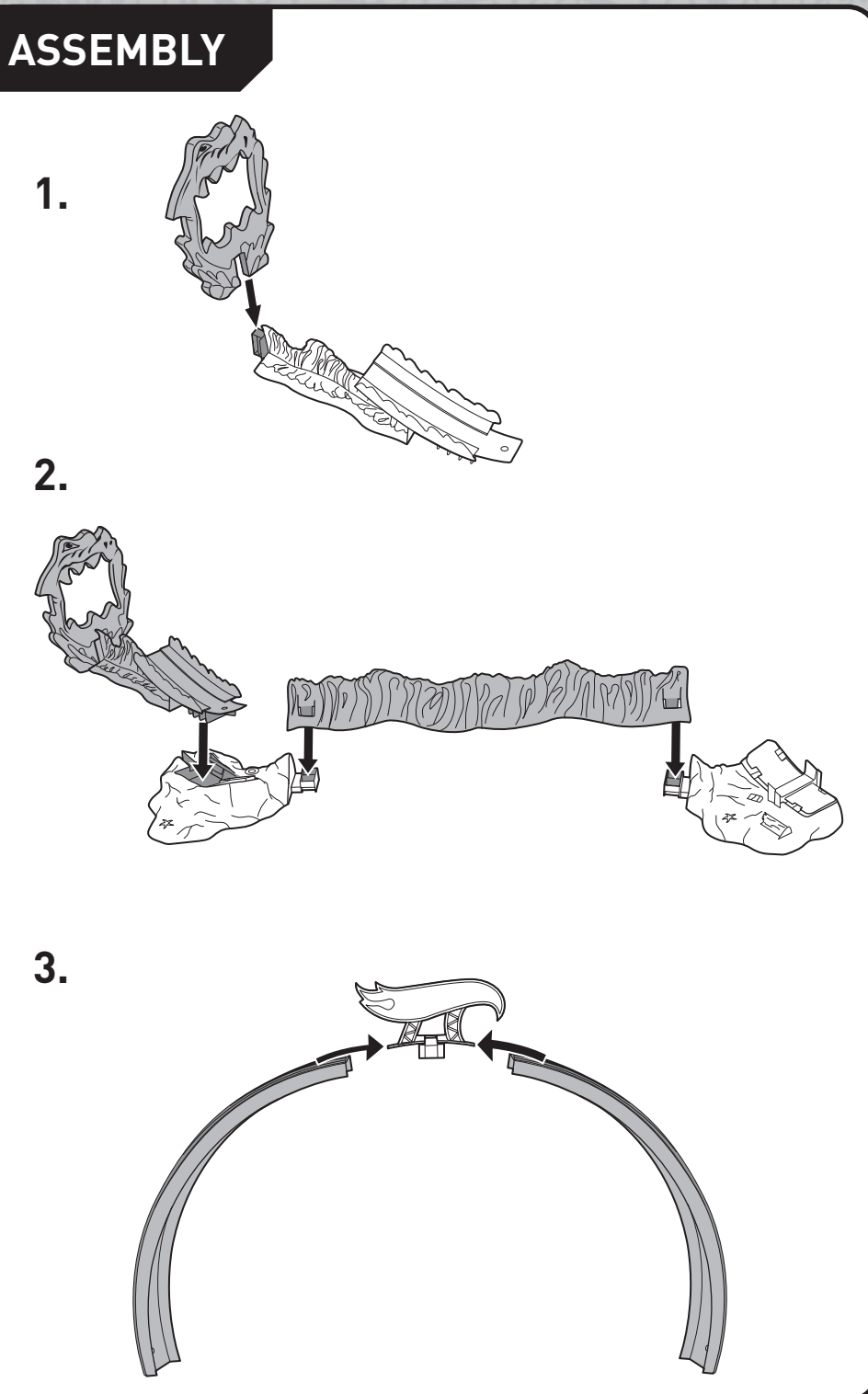
Toy: HW CS CUSTOM COLOR ZONE
Toy No.: W3405
Part No.: 0920
Trim Size: 11"W x 8.5" H
Folded Size: 5.5" W x 8.5" H
Type of Fold: Single
colors: One
Colors: Black
Paper Stock: White Offset
Paper Weight: 70 lb.
EDM No.:

2 PANEL Folding Dummy

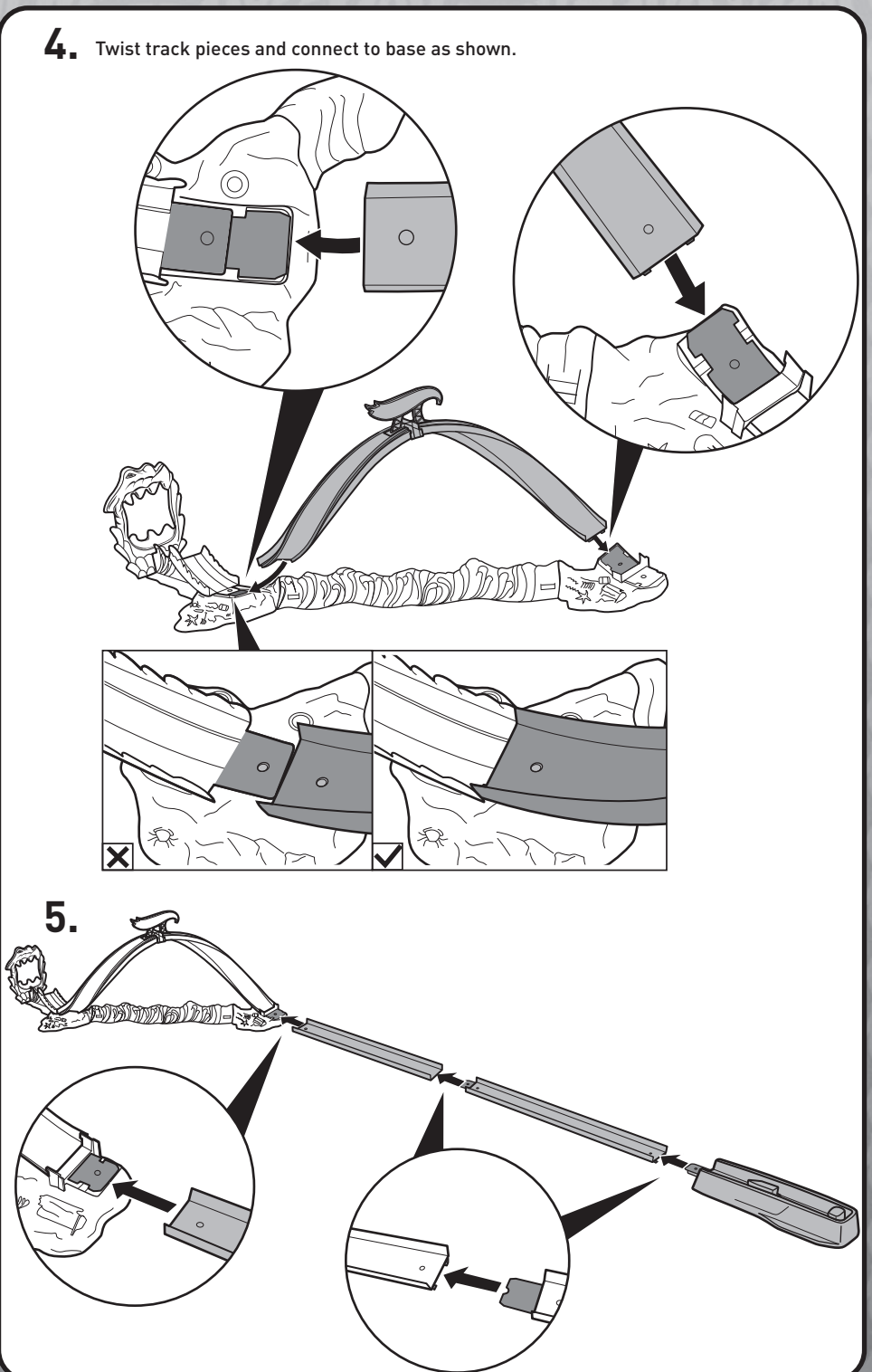


©2011 Mattel, Inc. All Rights Reserved. Mattel, Inc., 636 Girard Avenue, East Aurora, NY 14052, U.S.A. Consumer Relations 1-800-524-8697. • Mattel U.K. Ltd., Vanwall Business Park, Maidenhead SL6 4UB. Helpline 01628 500303. • Mattel Australia Pty., Ltd., Richmond, Victoria. 3121. Consumer Advisory Service - 1300 135 312. • Mattel East Asia Ltd., Room 1106, South Tower, World Finance Centre, Harbour City, Tsimshatsui, HK, China. • Diimport & Diedarkan Oleh: Mattel SEA Ptd Ltd.(993532-P) Lot 13.5, 13th Floor, Menara Lien Hoe, Persiaran Tropicana Golf Country Resort, 47410 PJ. Tel:03-78803817, Fax:03-78803867. service.mattel.com

ASSEMBLY

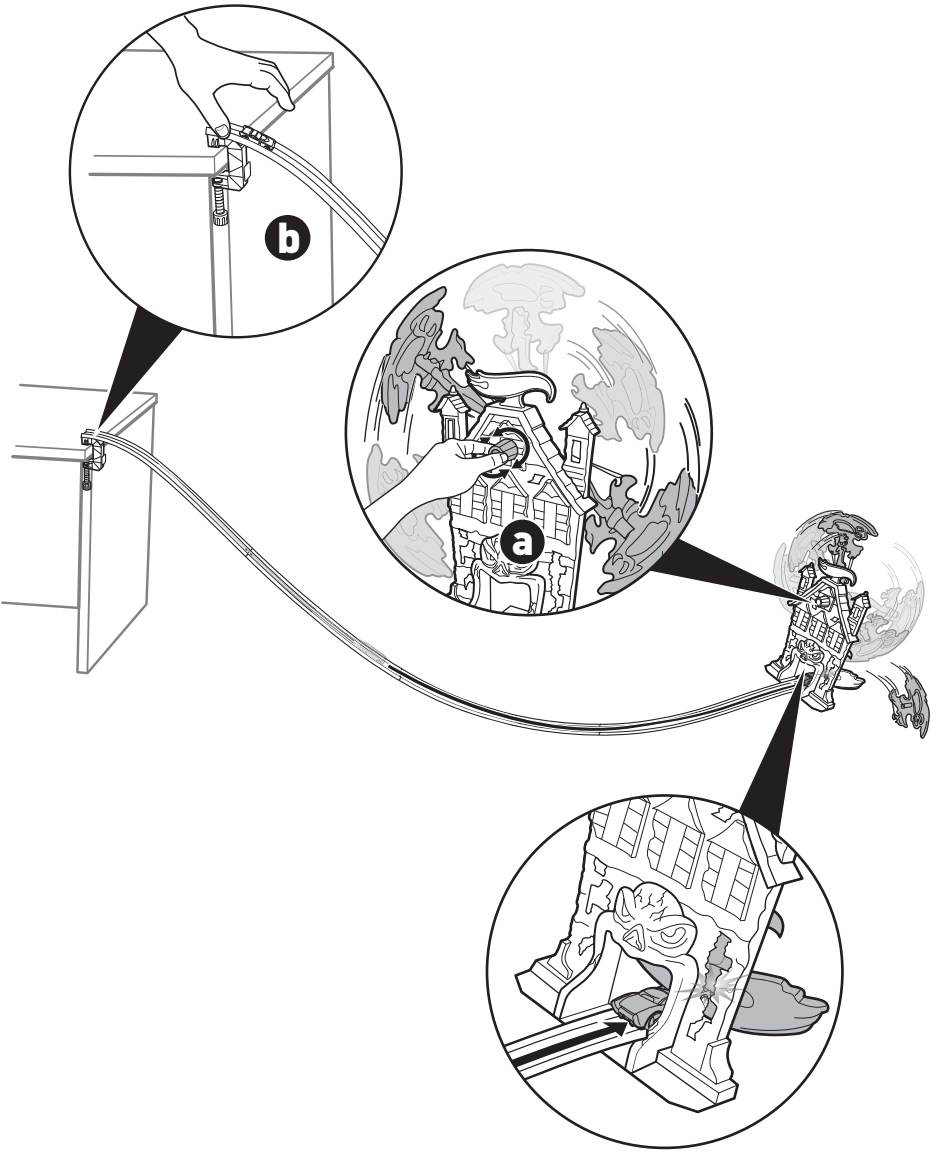


4. Twist track pieces and connect to base as shown.



TO PLAY

Hit the ghosts to send them flying!

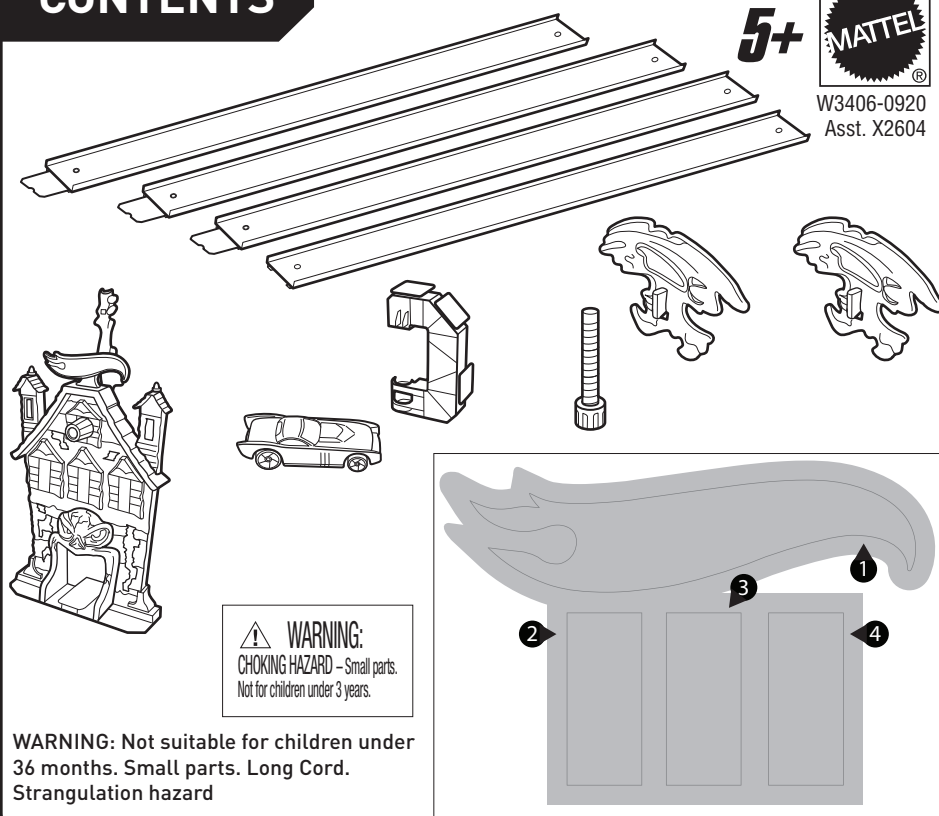


GHOST BLASTER™

INSTRUCTIONS

Please keep these instructions for future reference as they contain important information.

CONTENTS



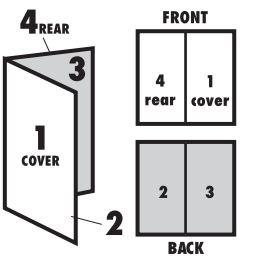
WARNING: Not suitable for children under 36 months. Small parts. Long Cord. Strangulation hazard

©2011 Mattel, Inc. All Rights Reserved. Mattel, Inc., 636 Girard Avenue, East Aurora, NY 14052, U.S.A. Consumer Relations 1-800-524-8697. • Mattel U.K. Ltd., Vanwall Business Park, Maidenhead SL6 4UB. Helpline 01628 500303. • Mattel Australia Pty., Ltd., Richmond, Victoria. 3121. Consumer Advisory Service - 1300 135 312. • Mattel East Asia Ltd., Room 1106, South Tower, World Finance Centre, Harbour City, Tsimshatsui, HK, China. • Diimport & Diedarkan Oleh: Mattel SEA Ptd Ltd.(993532-P) Lot 13.5, 13th Floor, Menara Lien Hoe, Persiaran Tropicana Golf Country Resort, 47410 PJ. Tel:03-78803817, Fax:03-78803867. service.mattel.com

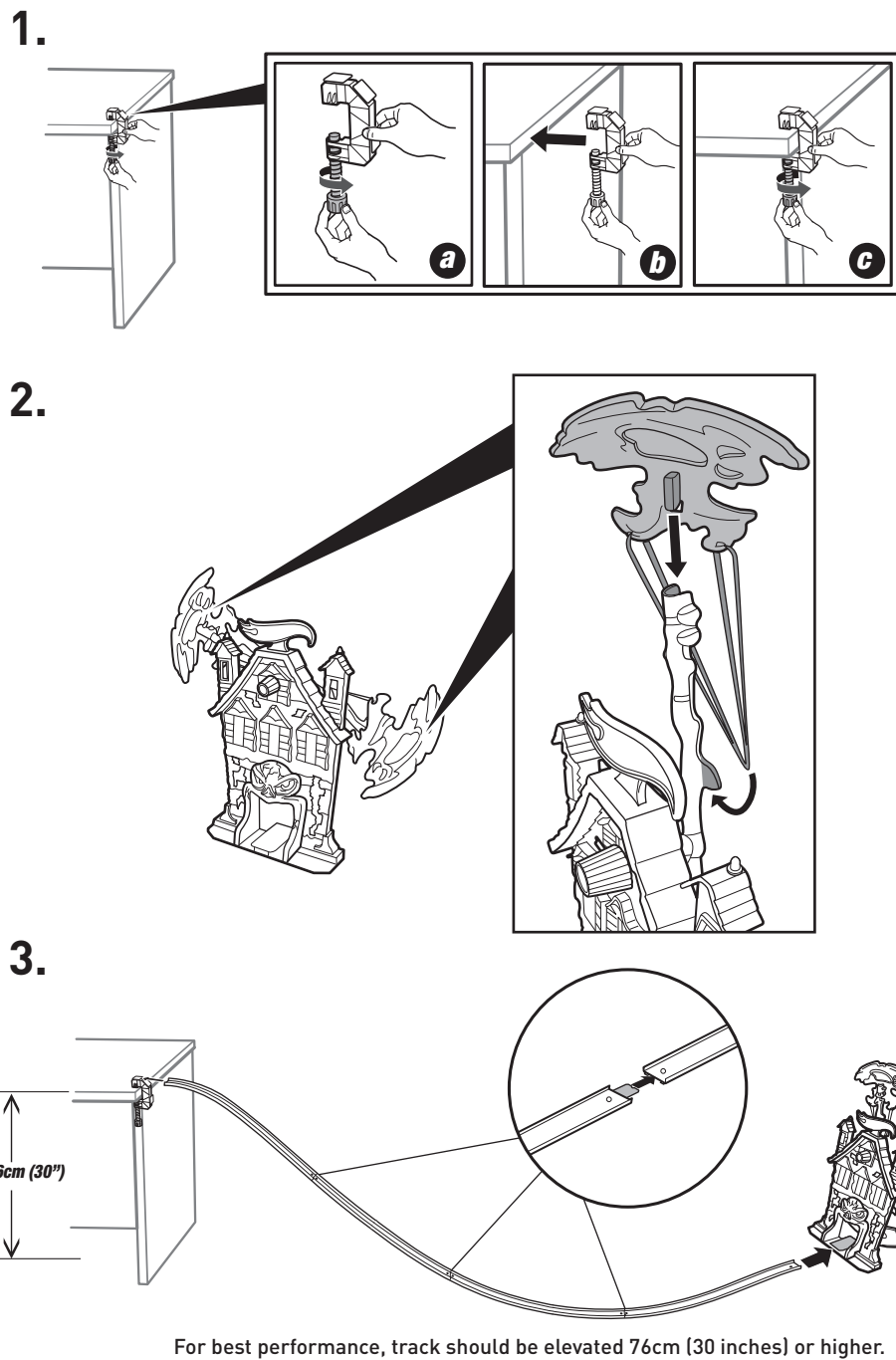
INSTRUCTION SHEET SPECIFICATIONS

Toy: HW CS CUSTOM COLOR ZONE
 Toy No.: W3406
 Part No.: 0920
 Trim Size: 11"W x 8.5" H
 Folded Size: 5.5" W x 8.5" H
 Type of Fold: Single
 # colors: One
 Colors: Black
 Paper Stock: White Offset
 Paper Weight: 70 lb.
 EDM No.:

2 PANEL Folding Dummy

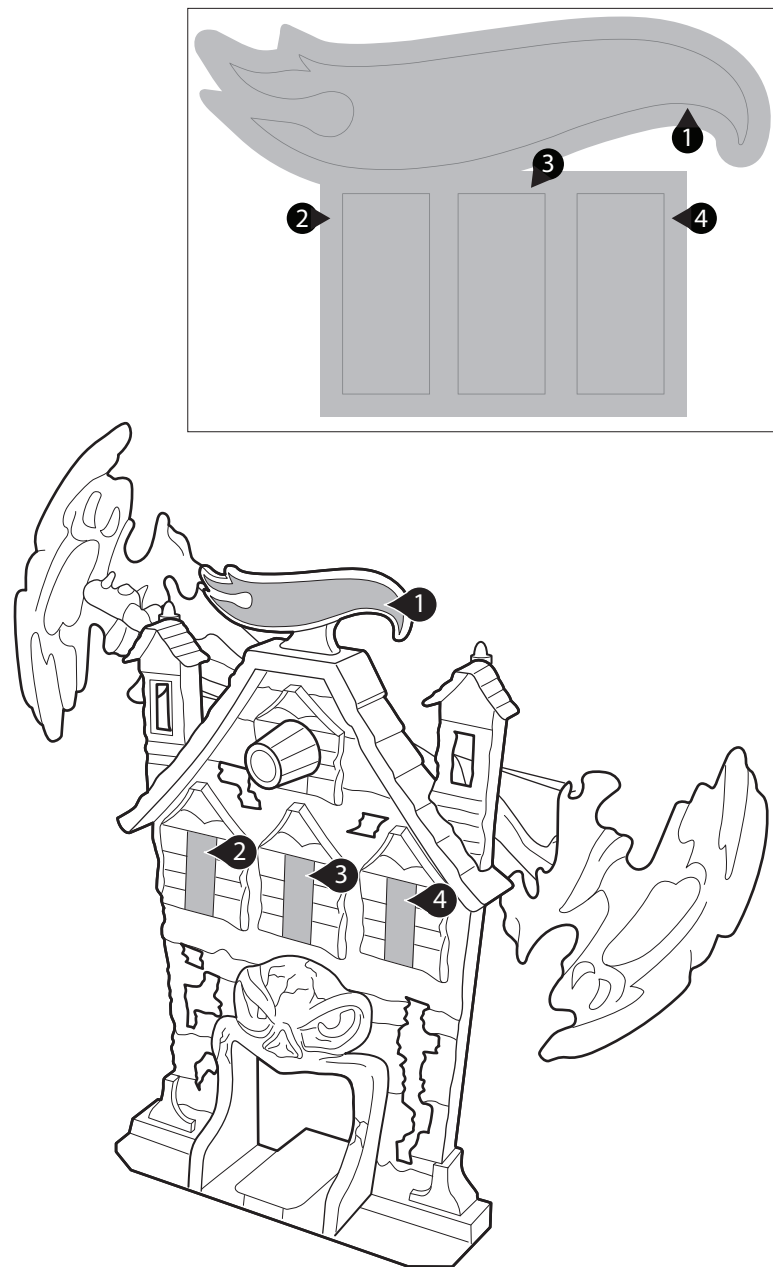


ASSEMBLY



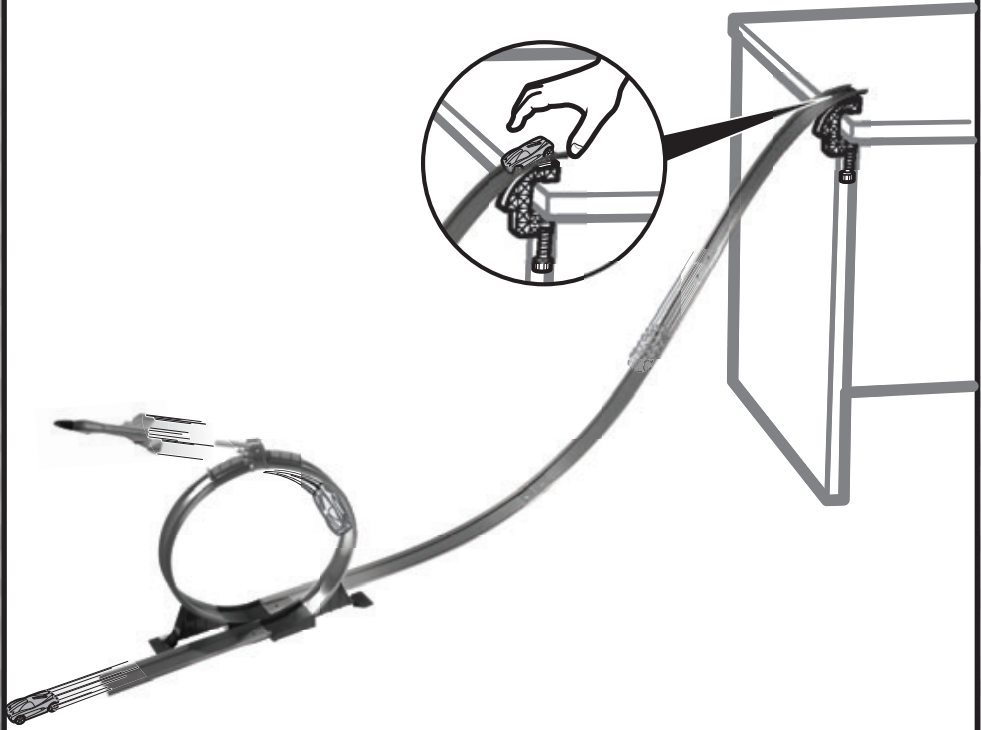
TO APPLY LABELS

Helpful Hint: Apply labels before assembly.



TO PLAY

Drop in and speed through the huge loop to launch a high-flying jet!



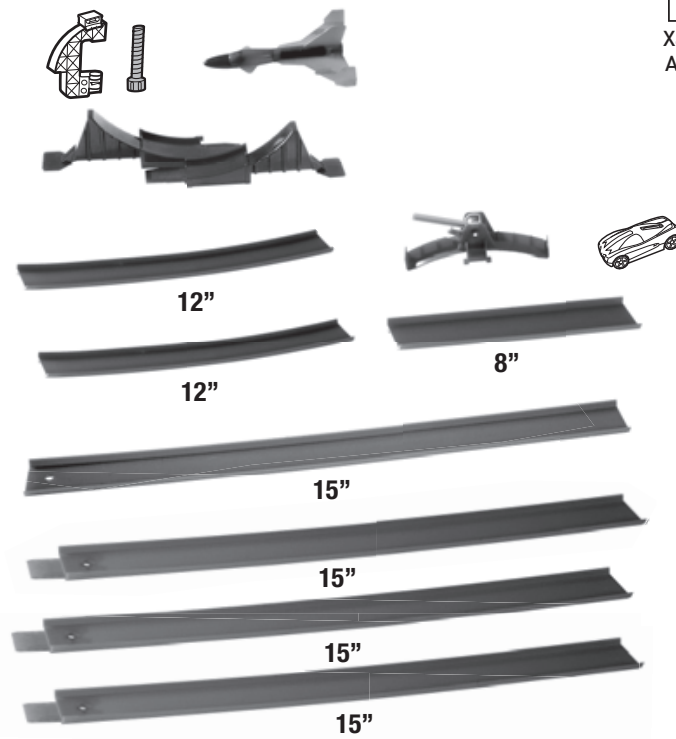
LOOP & LAUNCH™

INSTRUCTIONS

Please keep these instructions for future reference as they contain important information.

CONTENTS

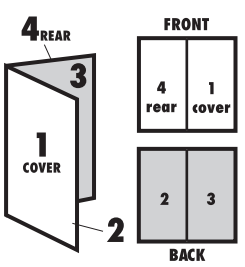
5+
 X4032-0920
 Asst. X2604



INSTRUCTION SHEET SPECIFICATIONS

Toy:	HW LOOP & LAUNCH
Toy No.:	X4032
Part No.:	0920
Trim Size:	11" W x 8.5" H
Folded Size:	5.5" W x 8.5" H
Type of Fold:	Single
# colors:	One
Colors:	Black
Paper Stock:	White Offset
Paper Weight:	70 lb.
EDM No.:	

2 PANEL Folding Dummy



©2011 Mattel. All Rights Reserved. Mattel, Inc., 636 Girard Avenue, East Aurora, NY 14052, U.S.A. Consumer Relations 1-800-524-8697. • Mattel U.K. Ltd., Vanwall Business Park, Maidenhead SL6 4UB. Helpline 01628 500303. • Mattel Australia Pty., Ltd., Richmond, Victoria, 3121. Consumer Advisory Service - 1300 135 312. • Mattel East Asia Ltd., Room 1106, South Tower, World Finance Centre, Harbour City, Tsimshatsui, HK, China. • Diimport & Diedarkan Oleh: Mattel SEA Ptd Ltd. (993532-P) Lot 13.5, 13th Floor, Menara Lien Hoe, Persiaran Tropicana Golf Country Resort, 47410 PJ. Tel:03-78803817, Fax:03-78803867. service.mattel.com

SET UP

1. 12"
2. TAPE
3. 15" 8"

