

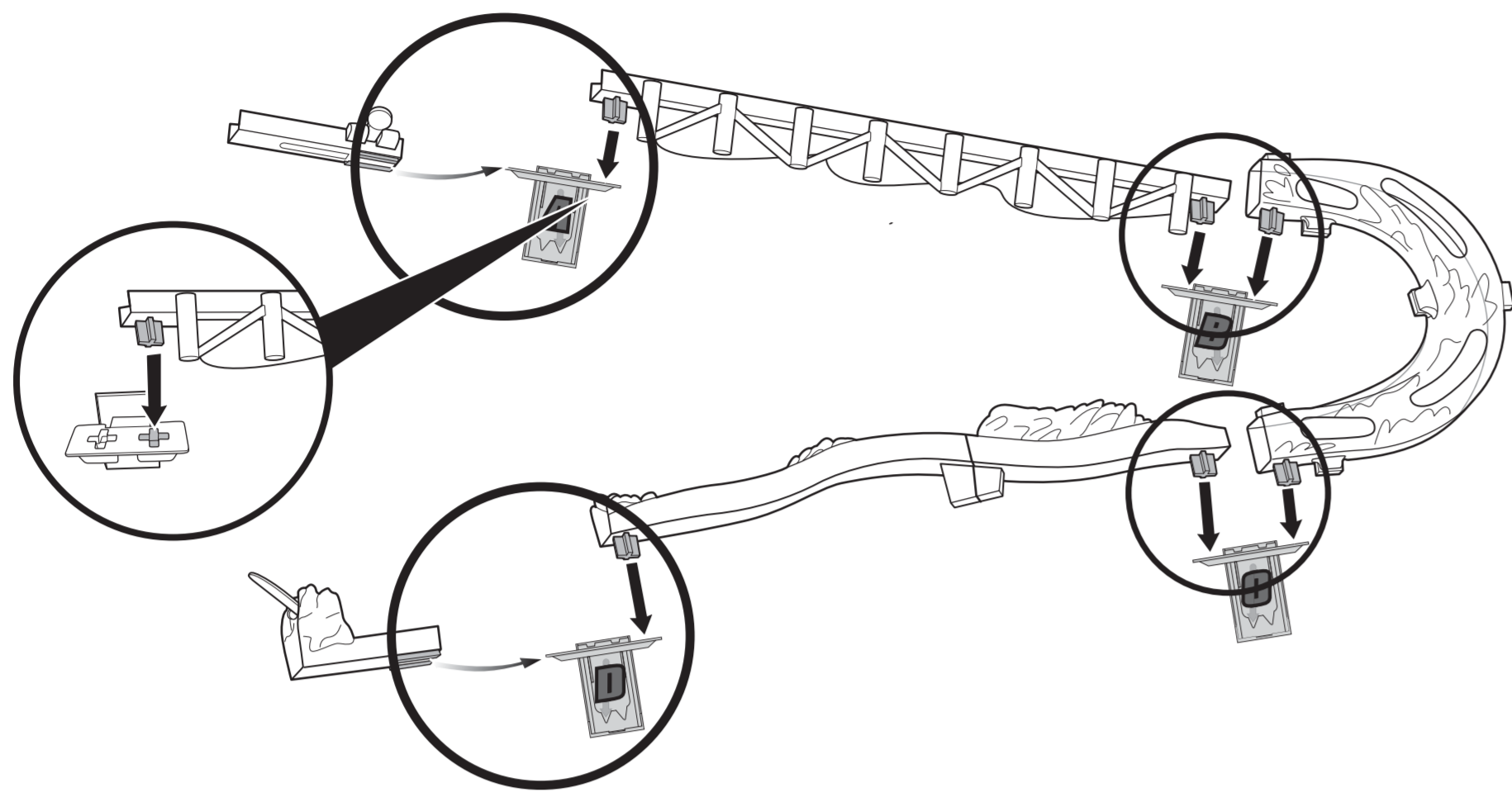
BAGK

COLOR : 1G

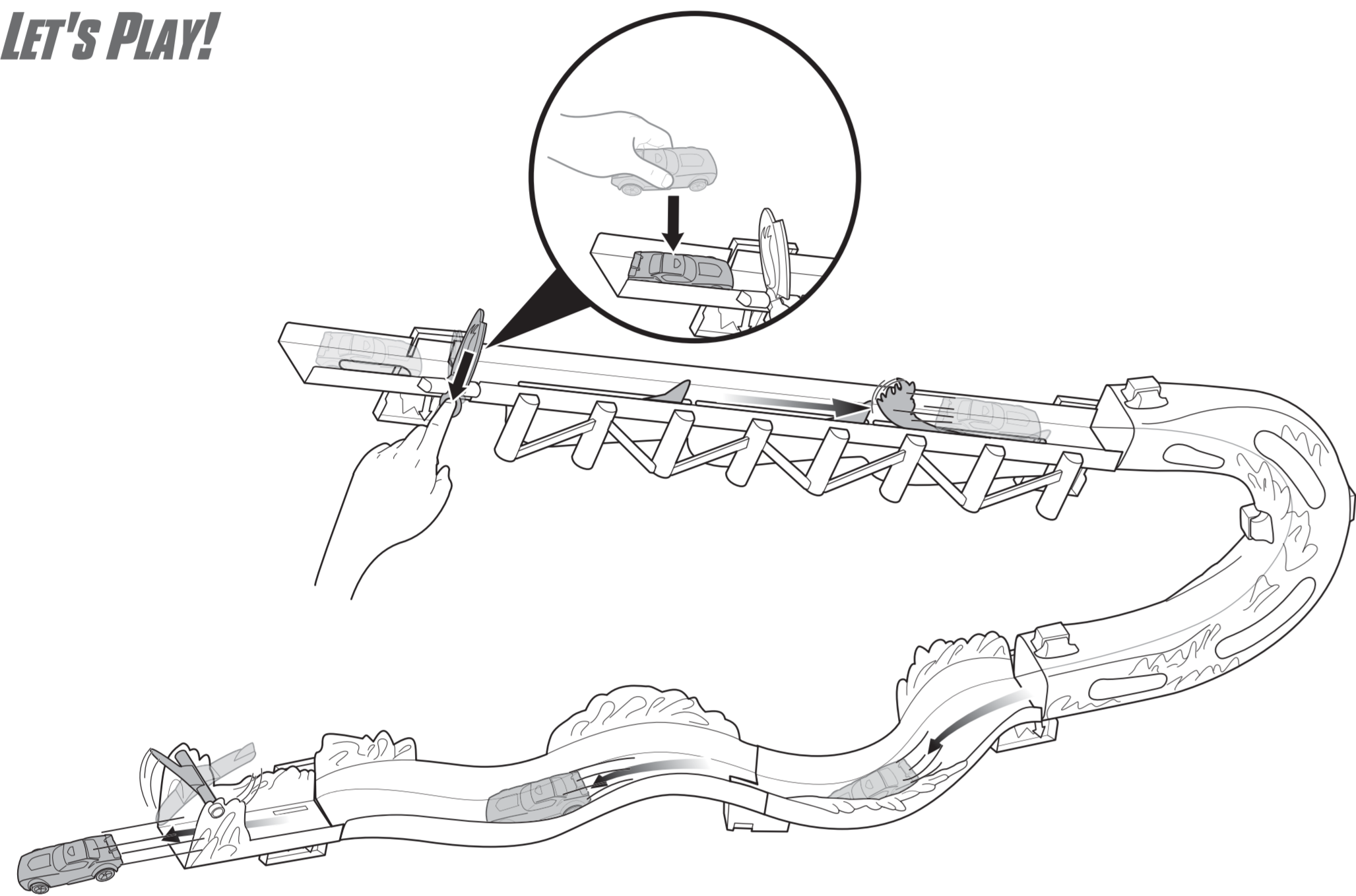
SIZE: W16 X H31 IN

SEE OTHER SIDE FOR STEPS 1-5

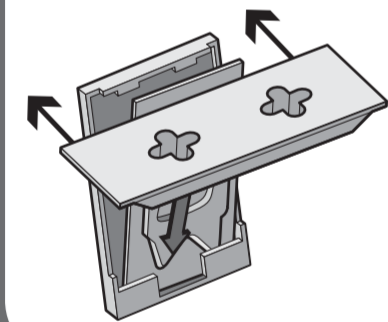
6 HANG TRACK ON WALL Once brackets are mounted and TEMPLATE IS REMOVED FROM WALL, attach track pieces as shown.



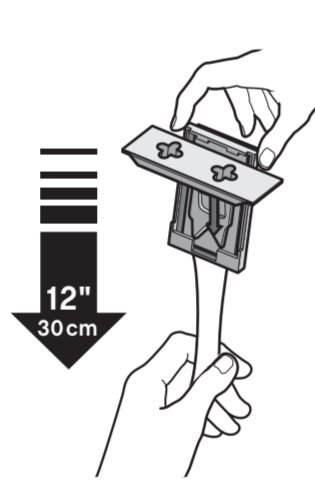
7 Let's Play!



8 REATTACHING & REMOVAL



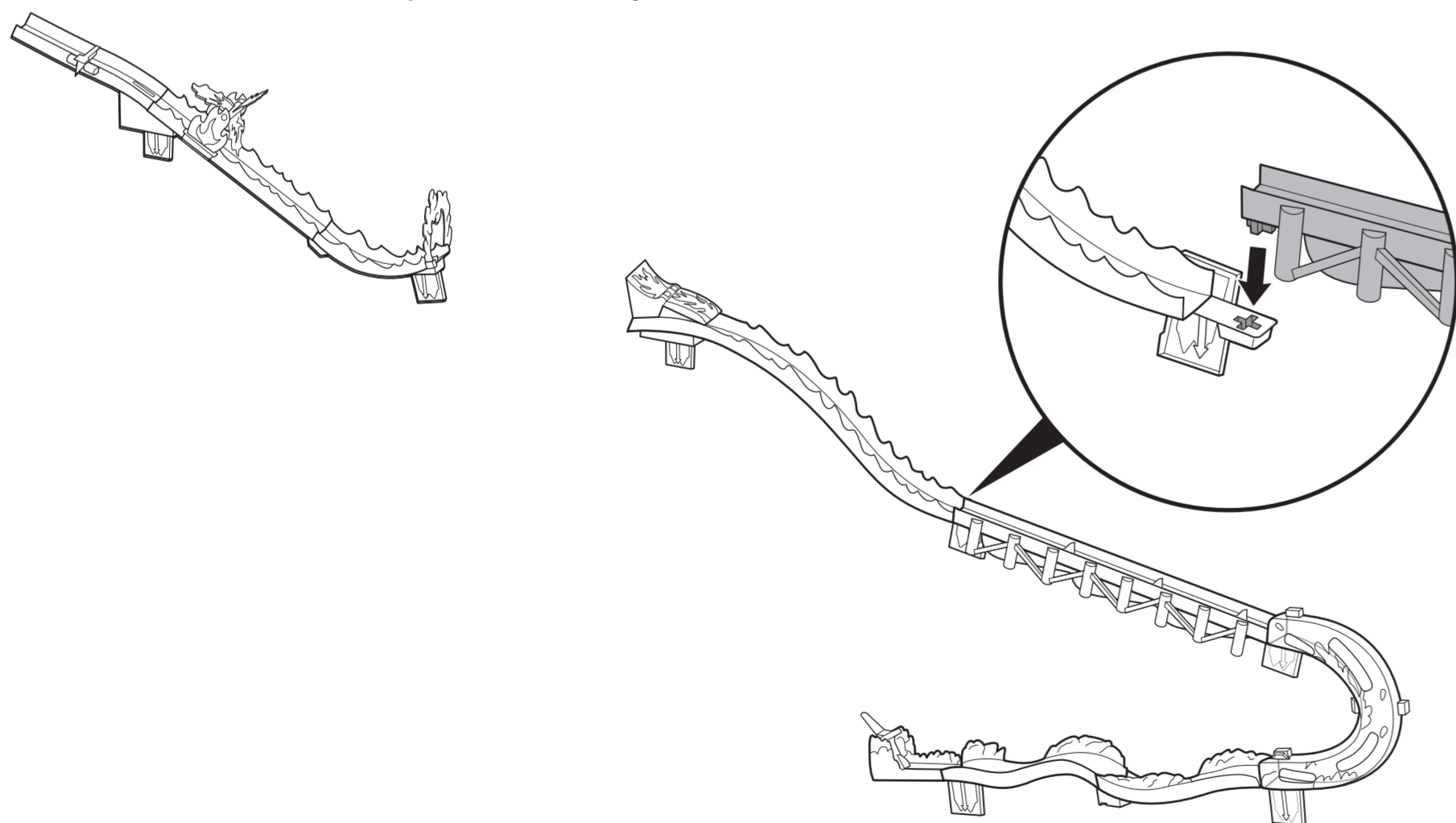
Mounting brackets are designed to break away from the set without causing surface damage. If mounting plate separates from bracket, snap bracket back into place.



To remove brackets from the wall entirely:
1. NEVER pull strip towards you.
2. Hold bracket gently to prevent it from snapping fingers. DO NOT press against wall.
3. Grab tab on Command™ Strip and SLOWLY STRETCH STRAIGHT DOWN ALONG WALL AT LEAST 12 INCHES until bracket and strip release. Purchase medium Command™ Refill Strips to reapply to your wall.

CONNECT

Create your own set-ups with other Wall Tracks™ sets.



Command™ Strips are a product of 3M. For further information visit command.com.
NOTE: Apply strips to surfaces above 50°F (10°C). Adhesive could lose adhesion above 105°F (40°C).
CAUTION:
DO NOT use with wallpaper. May not adhere well to vinyl surfaces.
DO NOT hang items over beds.
3M and Command are trademarks of 3M.
© 3M 2011
All Rights Reserved.

FOR VIDEOS AND MORE INFORMATION ON HANGING MULTIPLE SETS, GO TO WWW.HOTWHEELS.COM/WALL-TRACKS

MATTEL
©2011 Mattel, Inc. All Rights Reserved.
Mattel, Inc. 1955 Avenue of the Stars, Suite 1600, Los Angeles, CA 90049
Mattel, Inc. 1500, North Melbourne, Queensland, Australia
Mattel Australia Pty. Ltd., Victoria, 3121 Consumer Advisory Service - 1800 100 112
Mattel East Asia Sdn. Bhd., 110A, South Tower, World Finance Centre, Harbour City, Tsimshatsi, HK, China
Mattel S.A. 10000, Mexico
Mattel S.E.A. Pte. Ltd. 1193202-PJ Lot 13.5, 13th Floor, Menara Lien Hoe, Persiaran Tropona Golf Country Resort, 47410 PJ, Tel: 63-78803817, Fax: 63-78803867.
service@mattel.com



FRONT

W3416 EL IS

COLOR : 4G

LINE BOTTOM UP ALONG FLOOR



Brackets should NOT overlap template

PRESS FIRMLY FOR 30 SECONDS

YOU WILL NEED:
Low-adhesive tape such as painter's tape or masking tape
Approximately 3 feet of open wall space
20 minutes

CONTENTS:
Includes images of the template, brackets, and track pieces.

Keep these instructions for future reference as they contain important information.

START HERE:

Please read all instructions before beginning assembly and set-up.

1 HANG TEMPLATE

Line template up with floor and tape to wall. It should lay flat against the wall.

NOTE TO PARENTS: Before applying Command™ Strips make sure the wall surface is clean and dry. If cleaning is necessary 3M recommends using isopropyl rubbing alcohol. Do not use household cleaners.

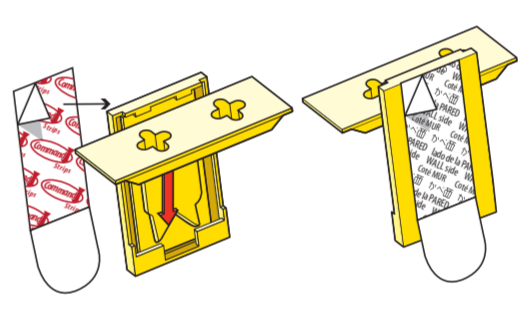


2 PREPARE BRACKETS

There are 4 yellow brackets [Marked A - D] and 5 Command™ Strips (one extra strip). Separate strips. Remove red-printed liner from Command™ Strips and apply to back of brackets as shown. Make sure the strip tab is accessible for future removal.

NOTE: Apply strips to surfaces above 50°F (10°C). Adhesive could lose adhesion above 105°F (40°C).
CAUTION:
DO NOT use with wallpaper. May not adhere well to vinyl surfaces.
DO NOT hang items over beds.

Black Printing = On Wall
Red Printing = On Bracket
NOTE: DO NOT PULL BRACKET OFF WALL without reading removal instructions on back of this sheet.



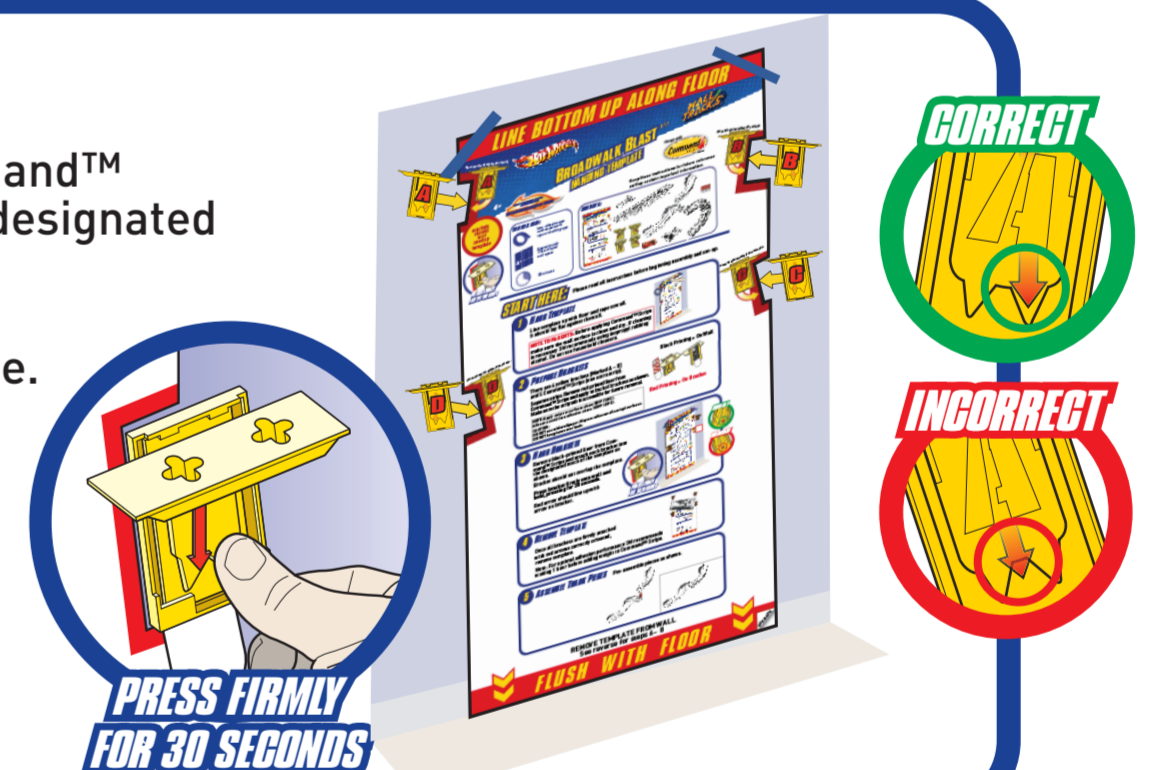
3 HANG BRACKETS

Remove black-printed liner from Command™ Strips and attach each bracket into the designated notch of the template as shown.

Bracket should not overlap the template.

Press bracket firmly onto wall and hold, pressing for 30 seconds.

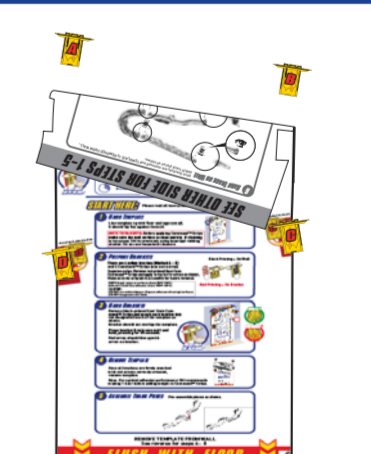
Red arrow should line up with arrow on bracket.



4 REMOVE TEMPLATE

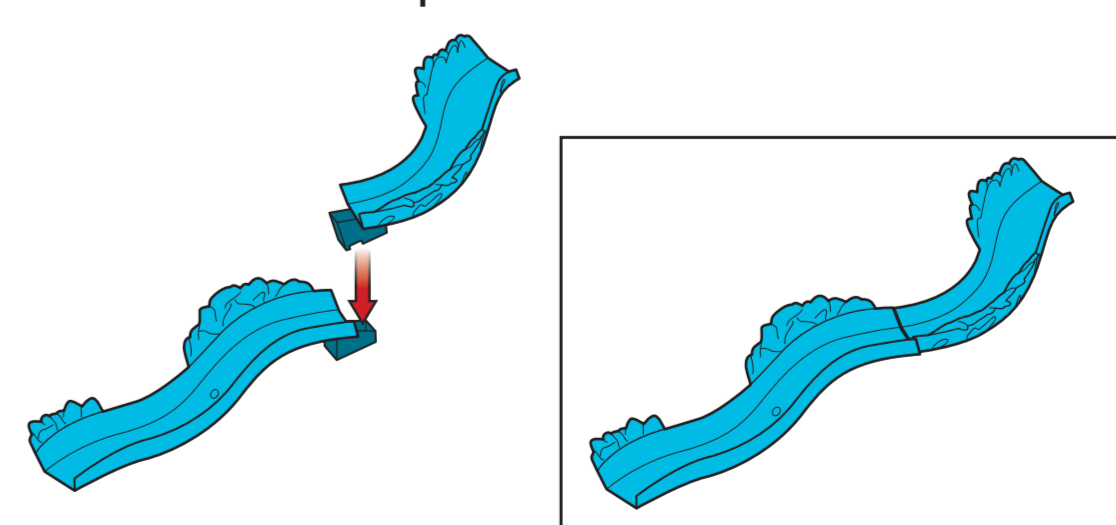
Once all brackets are firmly attached with red arrows correctly oriented, remove template.

Note: For optimal adhesion performance 3M recommends waiting 1 hour before adding weight to Command™ Strips.



5 ASSEMBLE TRACK PIECES

Pre-assemble pieces as shown.



REMOVE TEMPLATE FROM WALL
See reverse for steps 6 - 8



FLUSH WITH FLOOR



SEE BACK