

Press bracket firmly for 30 seconds.



# HAMMER DROP™ TRACK SET HANGING TEMPLATE

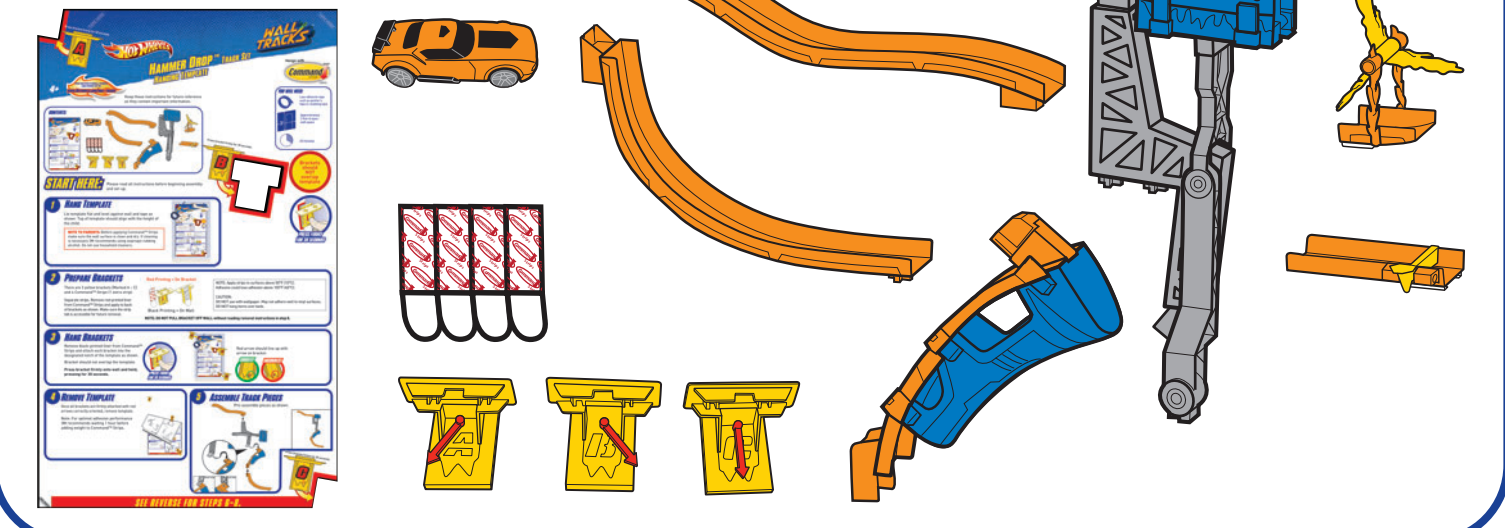


4+

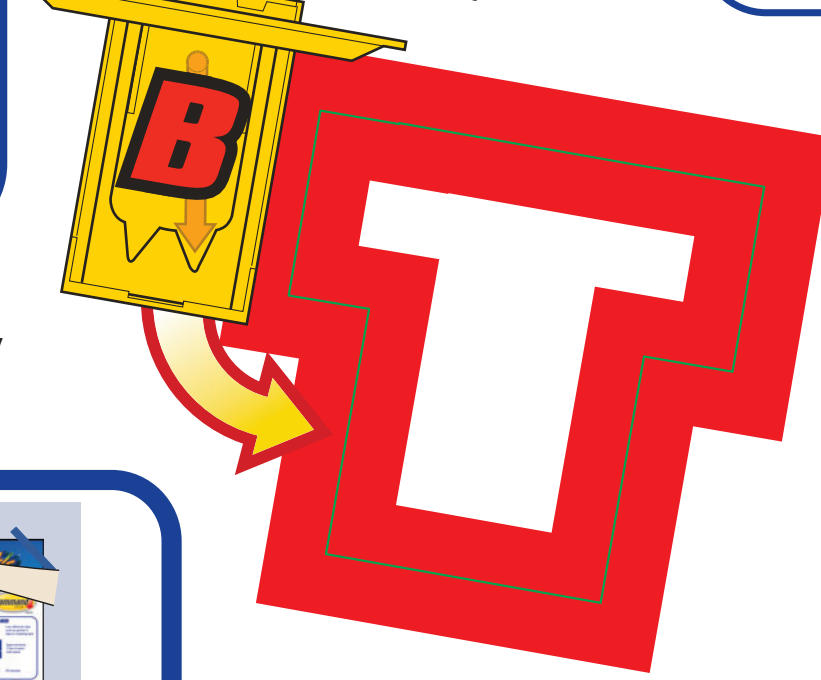
FOR INSTRUCTIONAL VIDEOS AND MORE GO TO  
[WWW.HOTWHEELS.COM/WALL-TRACKS](http://WWW.HOTWHEELS.COM/WALL-TRACKS)

Keep these instructions for future reference as they contain important information.

**CONTENTS:**



Press bracket firmly for 30 seconds.



**YOU WILL NEED:**

- Low-adhesive tape such as painter's tape or masking tape
- Approximately 3 feet of open wall space
- 20 minutes

Brackets should NOT overlap template



## START HERE:

Please read all instructions before beginning assembly and set-up.

### 1 HANG TEMPLATE

Lie template flat and level against wall and tape as shown. Top of template should align with the height of the child.

**NOTE TO PARENTS:** Before applying Command™ Strips make sure the wall surface is clean and dry. If cleaning is necessary 3M recommends using isopropyl rubbing alcohol. Do not use household cleaners.

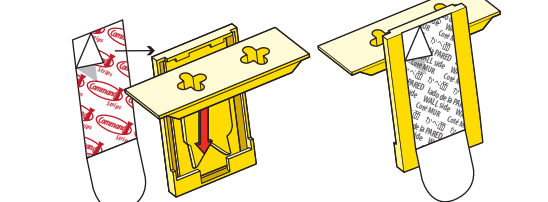


### 2 PREPARE BRACKETS

There are 3 yellow brackets [Marked A - C] and 4 Command™ Strips (1 extra strip).

Separate strips. Remove red-printed liner from Command™ Strips and apply to back of brackets as shown. Make sure the strip tab is accessible for future removal.

Red Printing = On Bracket



Black Printing = On Wall

**NOTE:** Apply strips to surfaces above 50°F (10°C). Adhesive could lose adhesion above 105°F (40°C).

**CAUTION:** DO NOT use with wallpaper. May not adhere well to vinyl surfaces. DO NOT hang items over beds.

**NOTE: DO NOT PULL BRACKET OFF WALL** without reading removal instructions in step 8.

### 3 HANG BRACKETS

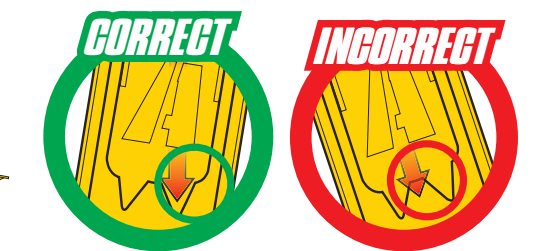
Remove black-printed liner from Command™ Strips and attach each bracket into the designated notch of the template as shown.

Bracket should not overlap the template.

Press bracket firmly onto wall and hold, pressing for 30 seconds.



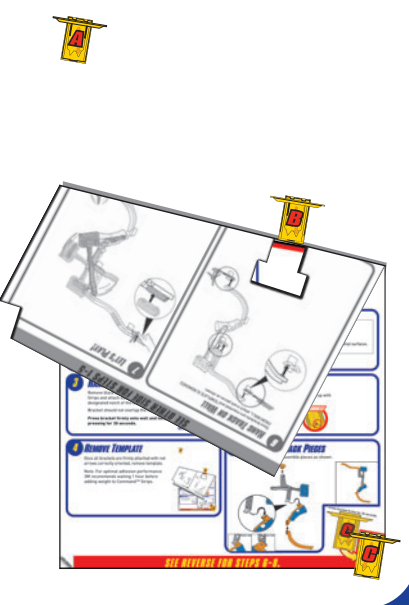
Red arrow should line up with arrow on bracket.



### 4 REMOVE TEMPLATE

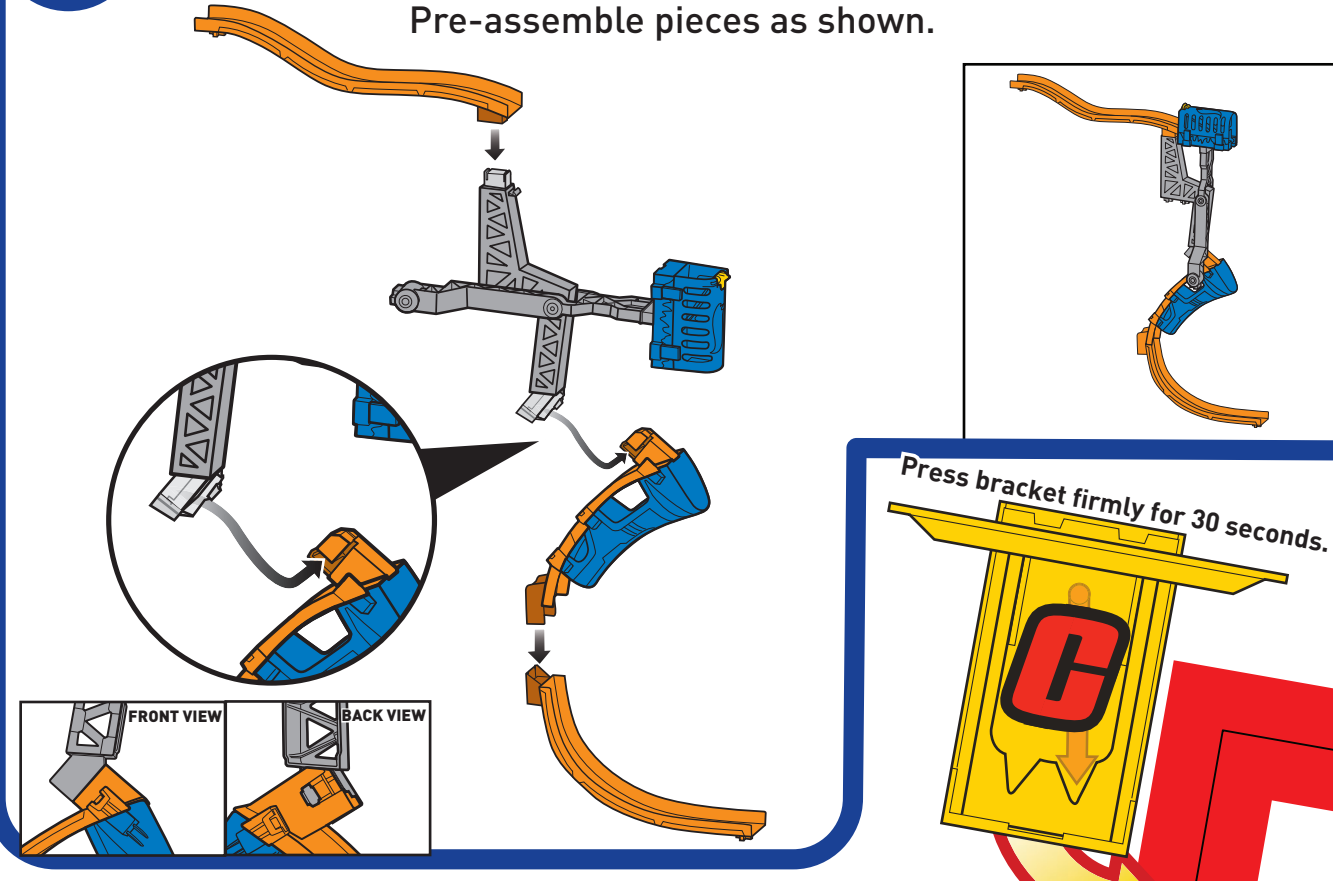
Once all brackets are firmly attached with red arrows correctly oriented, remove template.

Note: For optimal adhesion performance 3M recommends waiting 1 hour before adding weight to Command™ Strips.



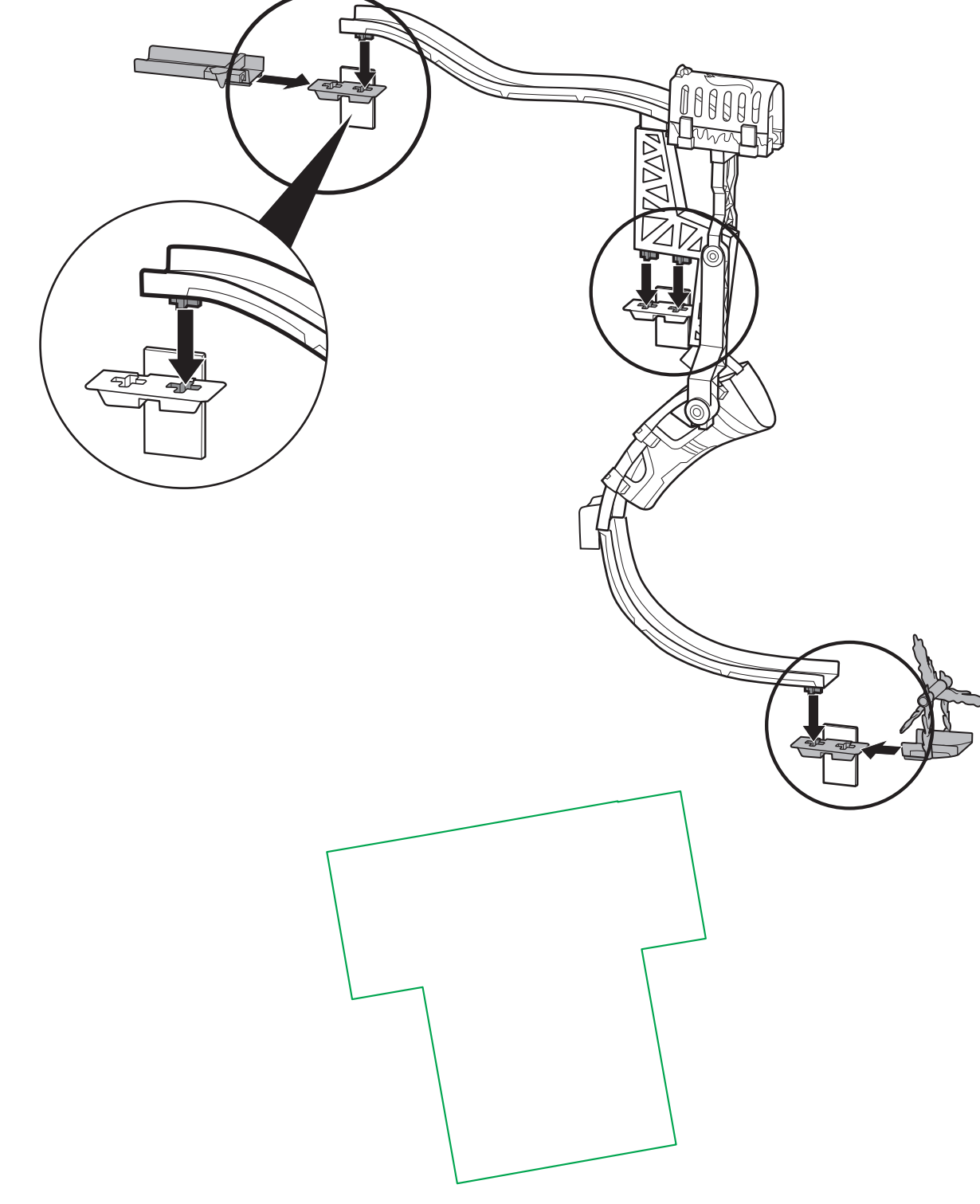
### 5 ASSEMBLE TRACK PIECES

Pre-assemble pieces as shown.

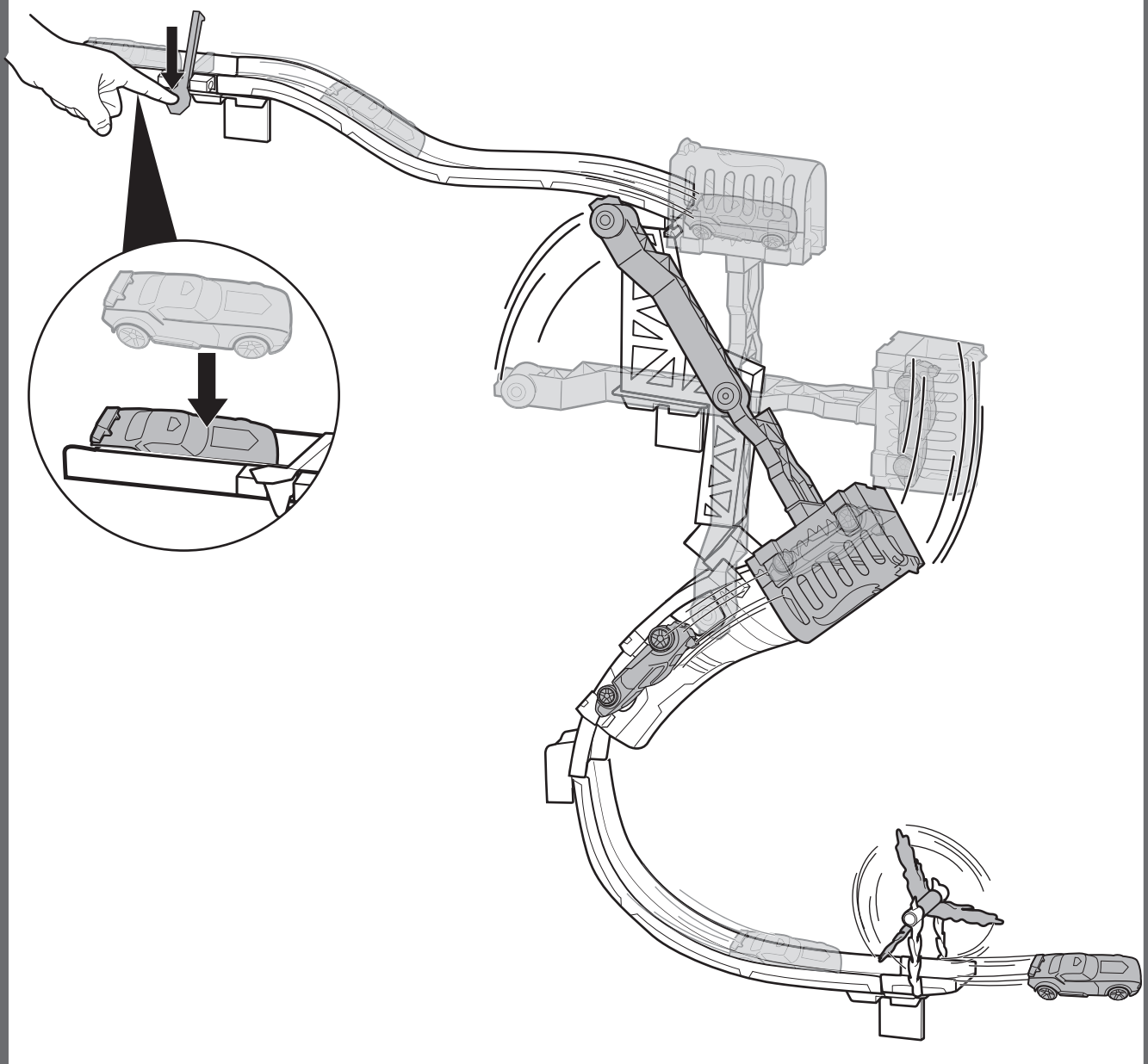


### 6 HANG TRACK ON WALL

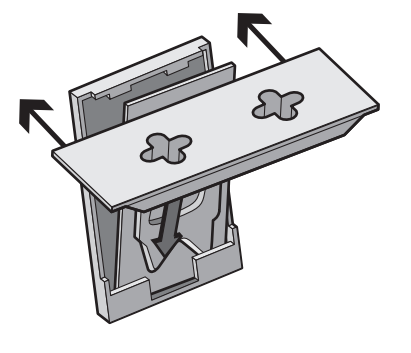
Once brackets are mounted and TEMPLATE IS REMOVED FROM WALL, attach track pieces as shown.



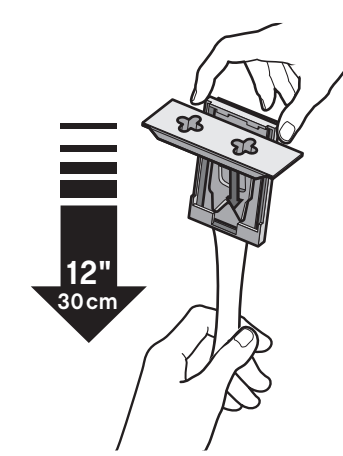
### 7 LET'S PLAY!



### 8 REATTACHING & REMOVAL



Mounting brackets are designed to break away from the set without causing surface damage. If mounting plate separates from bracket, snap bracket back into place.

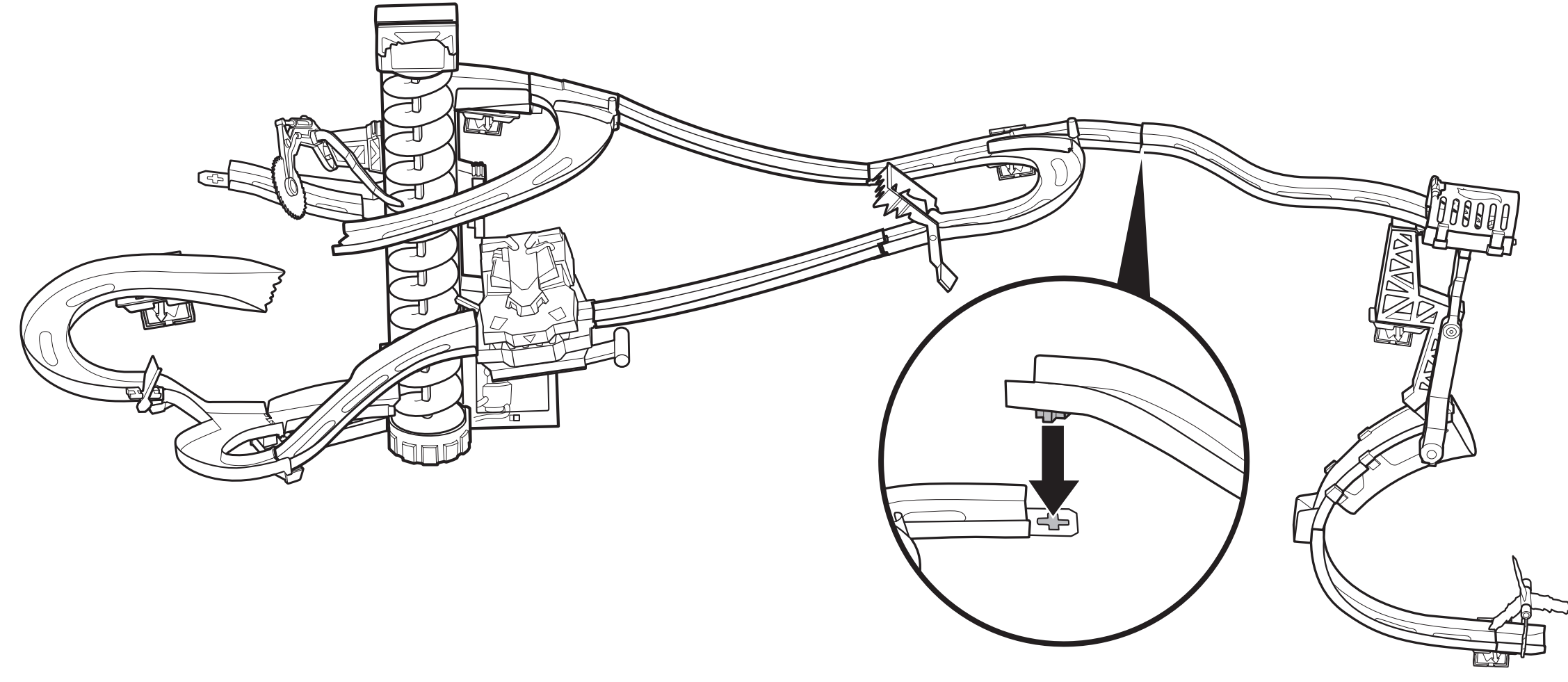


To remove brackets from the wall entirely:  
 1. NEVER pull strip towards you.  
 2. Hold bracket gently to prevent it from snapping fingers. DO NOT press against wall.  
 3. Grab tab on Command™ Strip and SLOWLY STRETCH STRAIGHT DOWN ALONG WALL AT LEAST 12 INCHES until bracket and strip release.

Purchase medium Command™ Refill Strips to reapply to your wall.

### CONNECT

Create your own set-ups with other Wall Tracks™ sets.



**INSTRUCTION SHEET SPECIFICATIONS**

Title	HW POWER TRACK
File No.	100238
Part No.	0000
Drawn	15/01/05 H...
Checked	15/01/05 H...
Scale	1:1
Author	0000
Color	Black
Printer	HP DesignJet 2500
Sheet Weight	75 lb
ES&M No.	

**Artwork Check Points**

- Artwork is prepared in CMYK color mode.
- All images resolution is not less than 300 dpi.
- Company address, legal and warning statements are up to date.
- Correct UPC, size and format, and it's readable by UPC scanner.
- All comments are revised.
- For international version, need to check if English copy can match DOM version, if not, need to double check with Graphic Designer.



Command™ Strips are a product of 3M. For further information visit [command.com](http://command.com)

**NOTE:** Apply strips to surfaces above 50°F (10°C). Adhesive could lose adhesion above 105°F (40°C).

**CAUTION:** DO NOT use with wallpaper. May not adhere well to vinyl surfaces. DO NOT hang items over beds.

3M and Command are trademarks of 3M.  
© 2011. All Rights Reserved.

SEE REVERSE FOR STEPS 6-8.



©2011 Mattel. All Rights Reserved. Mattel, Inc., 636 Grand Avenue, East Aurora, NY 14045, U.S.A. Consumer Relations: 1-800-524-8687. Mattel U.K. Ltd., Vauxhall Business Park, Middlehead SL6 4UB, Heston, Middlesex UB8 3PH, UK. Mattel Australia Pty. Ltd., Richmond, Victoria, 3121, Oronotum Road, St Albans, Victoria, 3024, Australia. Mattel Espana S.L., P.O. Box 1118, Soria, 40001, Spain. Mattel France S.A.S., 10 Avenue de la République, 92000, Nanterre, France. Mattel Hong Kong, 10/F, 100, Des Voeux Road West, Hong Kong. Mattel India Pvt. Ltd., 100/101, 100/102, 100/103, 100/104, 100/105, 100/106, 100/107, 100/108, 100/109, 100/110, 100/111, 100/112, 100/113, 100/114, 100/115, 100/116, 100/117, 100/118, 100/119, 100/120, 100/121, 100/122, 100/123, 100/124, 100/125, 100/126, 100/127, 100/128, 100/129, 100/130, 100/131, 100/132, 100/133, 100/134, 100/135, 100/136, 100/137, 100/138, 100/139, 100/140, 100/141, 100/142, 100/143, 100/144, 100/145, 100/146, 100/147, 100/148, 100/149, 100/150, 100/151, 100/152, 100/153, 100/154, 100/155, 100/156, 100/157, 100/158, 100/159, 100/160, 100/161, 100/162, 100/163, 100/164, 100/165, 100/166, 100/167, 100/168, 100/169, 100/170, 100/171, 100/172, 100/173, 100/174, 100/175, 100/176, 100/177, 100/178, 100/179, 100/180, 100/181, 100/182, 100/183, 100/184, 100/185, 100/186, 100/187, 100/188, 100/189, 100/190, 100/191, 100/192, 100/193, 100/194, 100/195, 100/196, 100/197, 100/198, 100/199, 100/200. Mattel Japan, Ltd., 1-1-1, Higashi-Shinjyuku, Shinjyuku-Ku, Tokyo, 162-0843, Japan. Mattel Korea, Ltd., 100, Seongnam-Dong, Seongnam-City, Gyeonggi-Do, 461-710, Korea. Mattel Mexico, S.A. de C.V., Av. de las Americas 555, Colonia Polanco, Mexico City, 06500, Mexico. Mattel New Zealand, Ltd., 100, Tapanui Street, Tapanui, Canterbury, 7800, New Zealand. Mattel Philippines, Inc., 100, 10th Avenue, Quezon City, 1105, Philippines. Mattel Singapore, 100, Cross Street, Singapore, 050001, Singapore. Mattel Taiwan, Ltd., 100, Sec 2, Roosevelt Rd., Taipei, 100, Taiwan. Mattel Thailand, Ltd., 100, 100/101, 100/102, 100/103, 100/104, 100/105, 100/106, 100/107, 100/108, 100/109, 100/110, 100/111, 100/112, 100/113, 100/114, 100/115, 100/116, 100/117, 100/118, 100/119, 100/120, 100/121, 100/122, 100/123, 100/124, 100/125, 100/126, 100/127, 100/128, 100/129, 100/130, 100/131, 100/132, 100/133, 100/134, 100/135, 100/136, 100/137, 100/138, 100/139, 100/140, 100/141, 100/142, 100/143, 100/144, 100/145, 100/146, 100/147, 100/148, 100/149, 100/150, 100/151, 100/152, 100/153, 100/154, 100/155, 100/156, 100/157, 100/158, 100/159, 100/160, 100/161, 100/162, 100/163, 100/164, 100/165, 100/166, 100/167, 100/168, 100/169, 100/170, 100/171, 100/172, 100/173, 100/174, 100/175, 100/176, 100/177, 100/178, 100/179, 100/180, 100/181, 100/182, 100/183, 100/184, 100/185, 100/186, 100/187, 100/188, 100/189, 100/190, 100/191, 100/192, 100/193, 100/194, 100/195, 100/196, 100/197, 100/198, 100/199, 100/200. Mattel South Africa, 100, 100/101, 100/102, 100/103, 100/104, 100/105, 100/106, 100/107, 100/108, 100/109, 100/110, 100/111, 100/112, 100/113, 100/114, 100/115, 100/116, 100/117, 100/118, 100/119, 100/120, 100/121, 100/122, 100/123, 100/124, 100/125, 100/126, 100/127, 100/128, 100/129, 100/130, 100/131, 100/132, 100/133, 100/134, 100/135, 100/136, 100/137, 100/138, 100/139, 100/140, 100/141, 100/142, 100/143, 100/144, 100/145, 100/146, 100/147, 100/148, 100/149, 100/150, 100/151, 100/152, 100/153, 100/154, 100/155, 100/156, 100/157, 100/158, 100/159, 100/160, 100/161, 100/162, 100/163, 100/164, 100/165, 100/166, 100/167, 100/168, 100/169, 100/170, 100/171, 100/172, 100/173, 100/174, 100/175, 100/176, 100/177, 100/178, 100/179, 100/180, 100/181, 100/182, 100/183, 100/184, 100/185, 100/186, 100/187, 100/188, 100/189, 100/190, 100/191, 100/192, 100/193, 100/194, 100/195, 100/196, 100/197, 100/198, 100/199, 100/200. Mattel USA, 100, 100/101, 100/102, 100/103, 100/104, 100/105, 100/106, 100/107, 100/108, 100/109, 100/110, 100/111, 100/112, 100/113, 100/114, 100/115, 100/116, 100/117, 100/118, 100/119, 100/120, 100/121, 100/122, 100/123, 100/124, 100/125, 100/126, 100/127, 100/128, 100/129, 100/130, 100/131, 100/132, 100/133, 100/134, 100/135, 100/136, 100/137, 100/138, 100/139, 100/140, 100/141, 100/142, 100/143, 100/144, 100/145, 100/146, 100/147, 100/148, 100/149, 100/150, 100/151, 100/152, 100/153, 100/154, 100/155, 100/156, 100/157, 100/158, 100/159, 100/160, 100/161, 100/162, 100/163, 100/164, 100/165, 100/166, 100/167, 100/168, 100/169, 100/170, 100/171, 100/172, 100/173, 100/174, 100/175, 100/176, 100/177, 100/178, 100/179, 100/180, 100/181, 100/182, 100/183, 100/184, 100/185, 100/186, 100/187, 100/188, 100/189, 100/190, 100/191, 100/192, 100/193, 100/194, 100/195, 100/196, 100/197, 100/198, 100/199, 100/200. Mattel Vietnam, 100, 100/101, 100/102, 100/103, 100/104, 100/105, 100/106, 100/107, 100/108, 100/109, 100/110, 100/111, 100/112, 100/113, 100/114, 100/115, 100/116, 100/117, 100/118, 100/119, 100/120, 100/121, 100/122, 100/123, 100/124, 100/125, 100/126, 100/127, 100/128, 100/129, 100/130, 100/131, 100/132, 100/133, 100/134, 100/135, 100/136, 100/137, 100/138, 100/139, 100/140, 100/141, 100/142, 100/143, 100/144, 100/145, 100/146, 100/147, 100/148, 100/149, 100/150, 100/151, 100/152, 100/153, 100/154, 100/155, 100/156, 100/157, 100/158, 100/159, 100/160, 100/161, 100/162, 100/163, 100/164, 100/165, 100/166, 100/167, 100/168, 100/169, 100/170, 100/171, 100/172, 100/173, 100/174, 100/175, 100/176, 100/177, 100/178, 100/179, 100/180, 100/181, 100/182, 100/183, 100/184, 100/185, 100/186, 100/187, 100/188, 100/189, 100/190, 100/191, 100/192, 100/193, 100/194, 100/195, 100/196, 100/197, 100/198, 100/199, 100/200.

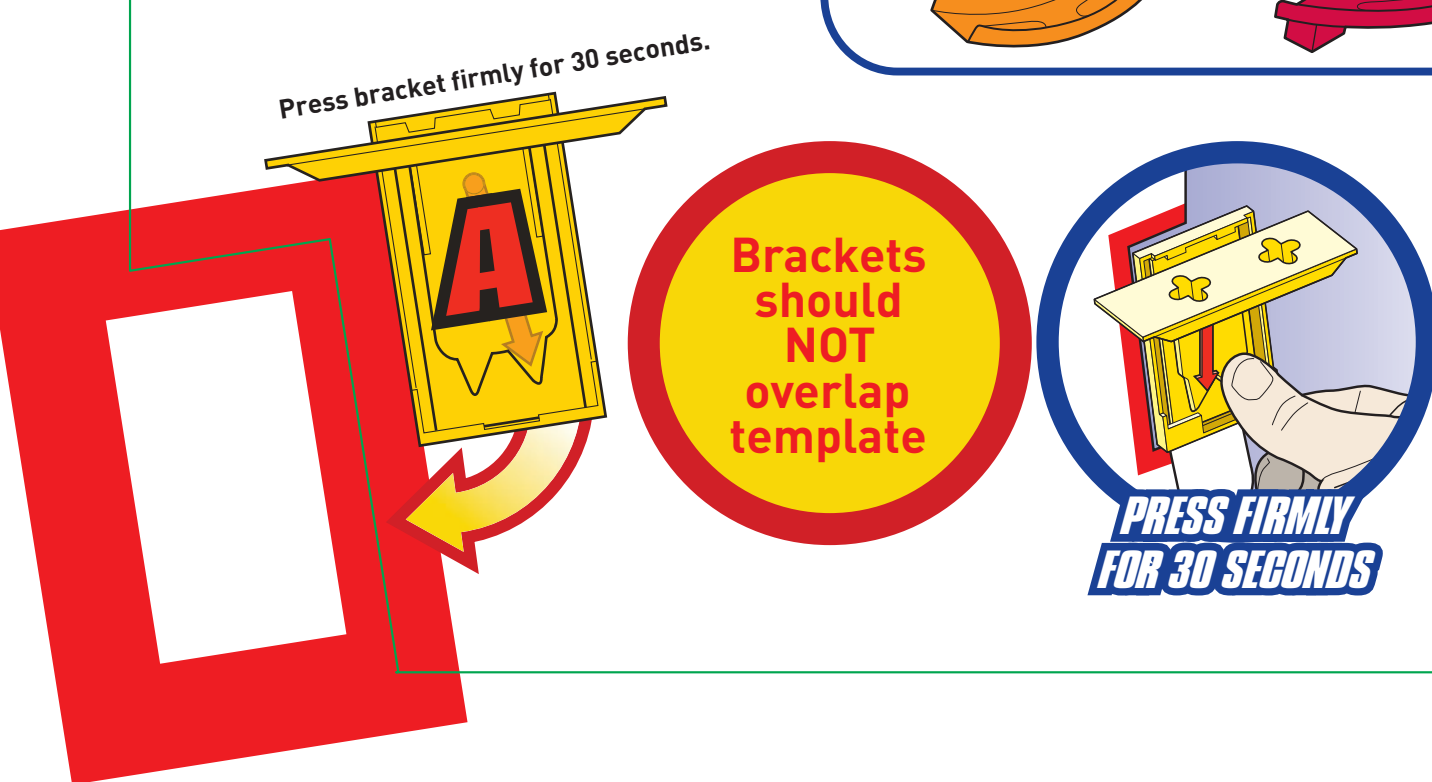
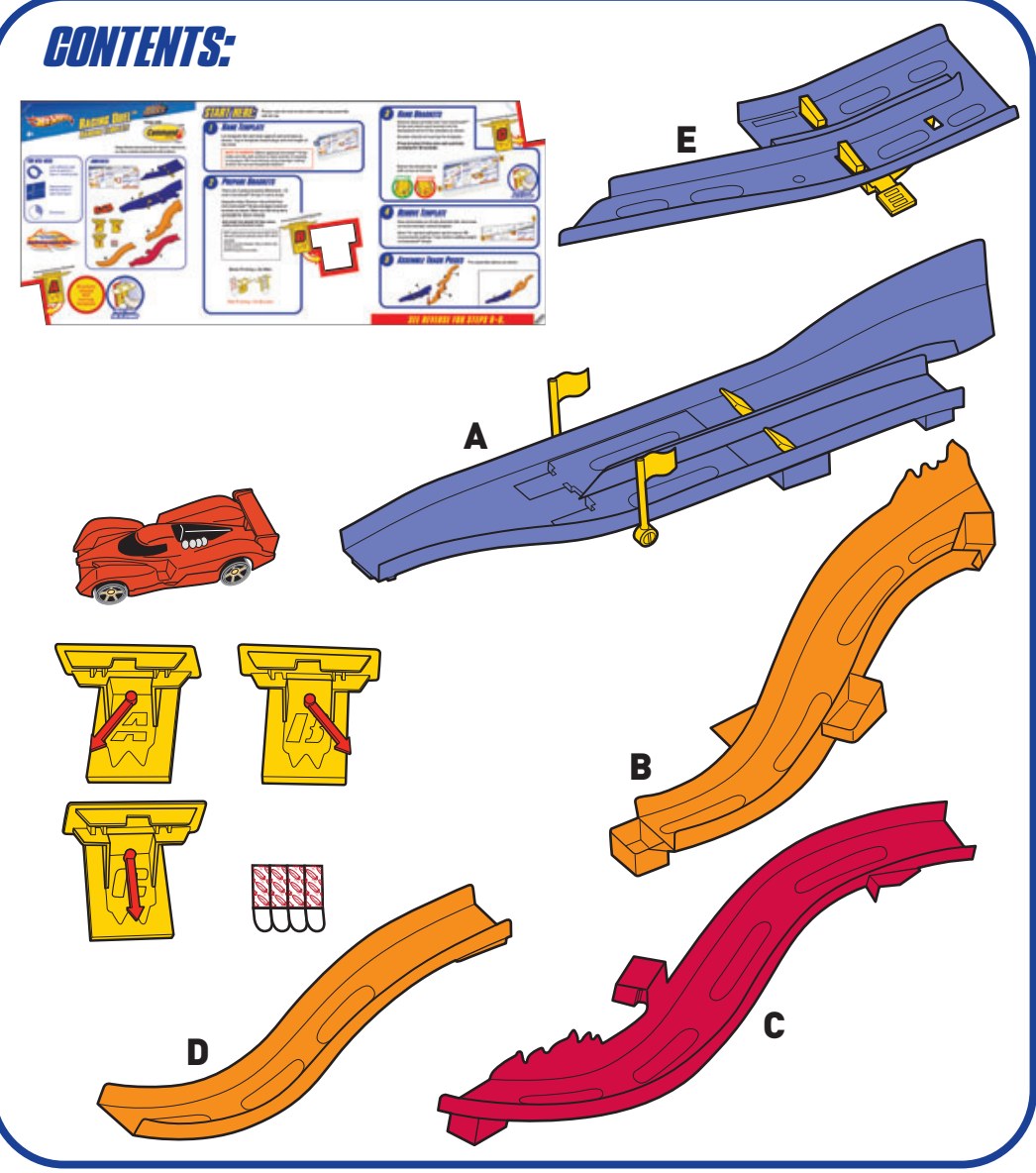




4+

- YOU WILL NEED:**
- Low-adhesive tape such as painter's tape or masking tape
  - Approximately 4 feet by 2 feet of open wall space
  - 20 minutes

FOR INSTRUCTIONAL VIDEOS AND MORE GO TO [WWW.HOTWHEELS.COM/WALL-TRACKS](http://WWW.HOTWHEELS.COM/WALL-TRACKS)



**START HERE:** Please read all instructions before beginning assembly and set-up.

**1 HANG TEMPLATE**

Lie template flat and level against wall and tape as shown. Top of template should align with the height of the child.

**NOTE TO PARENTS:** Before applying Command™ Strips make sure the wall surface is clean and dry. If cleaning is necessary 3M recommends using isopropyl rubbing alcohol. Do not use household cleaners.

**2 PREPARE BRACKETS**

There are 3 yellow brackets [Marked A - C] and 4 Command™ Strips (1 extra strip).

Separate strips. Remove red-printed liner from Command™ Strips and apply to back of brackets as shown. Make sure the strip tab is accessible for future removal.

**NOTE: DO NOT PULL BRACKET OFF WALL without reading removal instructions in step 8.**

**NOTE:** Apply strips to surfaces above 50°F (10°C). Adhesive could lose adhesion above 105°F (40°C).

**CAUTION:** DO NOT use with wallpaper. May not adhere well to vinyl surfaces. DO NOT hang items over beds.

Red Printing = On Bracket  
Black Printing = On Wall

Press bracket firmly for 30 seconds.

**3 HANG BRACKETS**

Remove black-printed liner from Command™ Strips and attach each bracket into the designated notch of the template as shown. Bracket should not overlap the template.

**Press bracket firmly onto wall and hold, pressing for 30 seconds.**

Red arrow should line up with arrow on bracket.

**CORRECT** **INCORRECT**

**PRESS FIRMLY FOR 30 SECONDS**

**4 REMOVE TEMPLATE**

Once all brackets are firmly attached with red arrows correctly oriented, remove template.

**Note:** For optimal adhesion performance 3M recommends waiting 1 hour before adding weight to Command™ Strips.

**5 ASSEMBLE TRACK PIECES** Pre-assemble pieces as shown.

**SEE REVERSE FOR STEPS 6-8.**

**SEE OTHER SIDE FOR STEPS 1-5**

**6 HANG TRACK ON WALL**

Once brackets are mounted and TEMPLATE IS REMOVED FROM WALL, attach track pieces as shown.

**7 LET'S PLAY!**

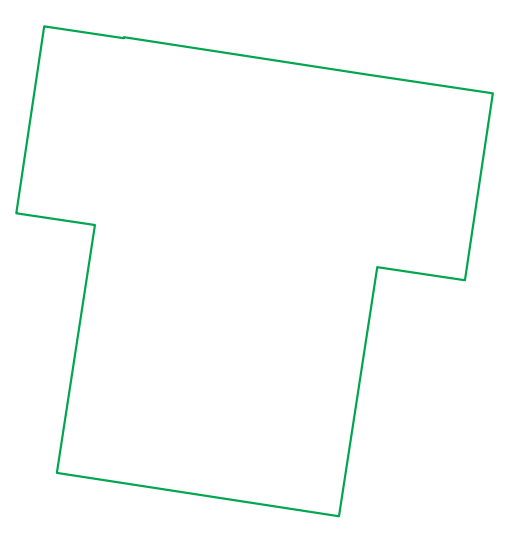
**8 REATTACHING & REMOVAL**

Mounting brackets are designed to break away from the set without causing surface damage. If mounting plate separates from bracket, snap bracket back into place.

To remove brackets from the wall entirely:

1. NEVER pull strip towards you.
2. Hold bracket gently to prevent it from snapping fingers. DO NOT press against wall.
3. Grab tab on Command™ Strip and SLOWLY STRETCH STRAIGHT DOWN ALONG WALL AT LEAST 12 INCHES until bracket and strip release.

Purchase medium Command™ Refill Strips to reapply to your wall.



**CONNECT** Create your own set-ups with other Wall Tracks™ sets.