
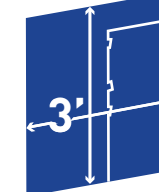
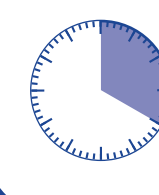


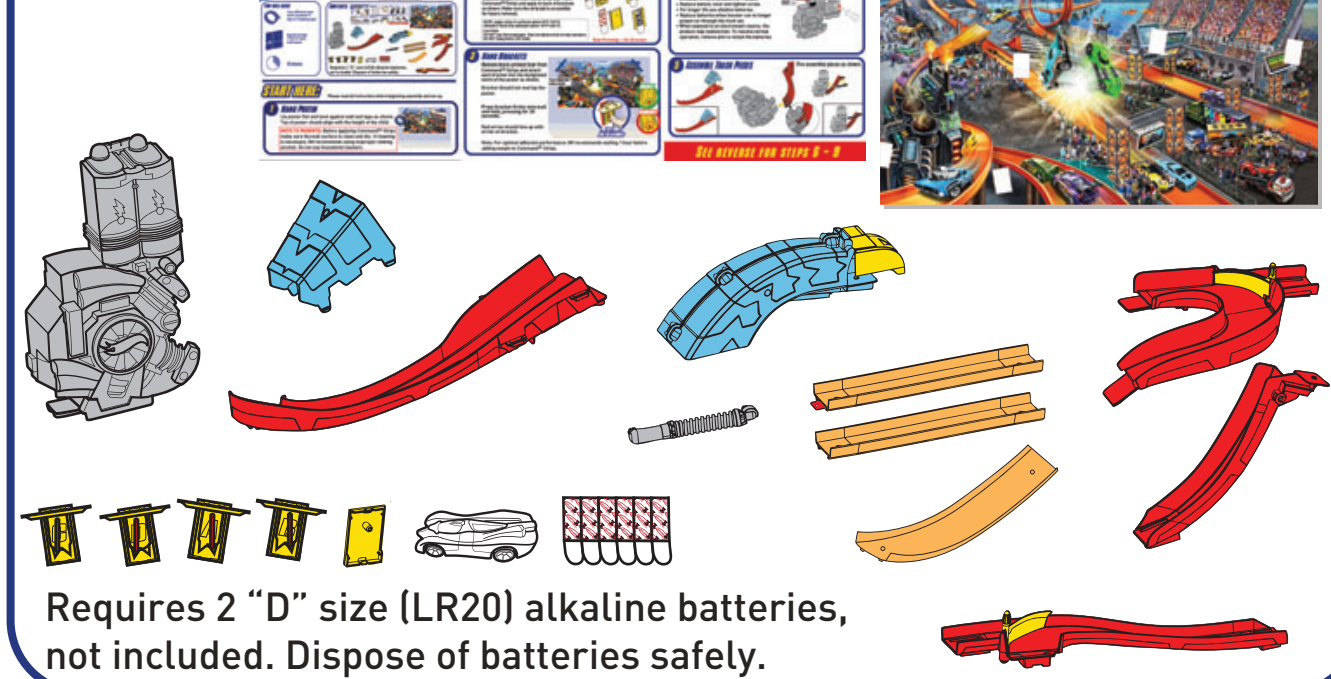
# HOT WHEELS MID-AIR MADNESS™ WALL TRACKS INSTRUCTIONS

4+ 

## YOU WILL NEED:

-  Low-adhesive tape such as painter's tape or masking tape
-  Approximately 3 feet of open wall space
-  20 minutes

## CONTENTS:



Keep these instructions for future reference as they contain important information.

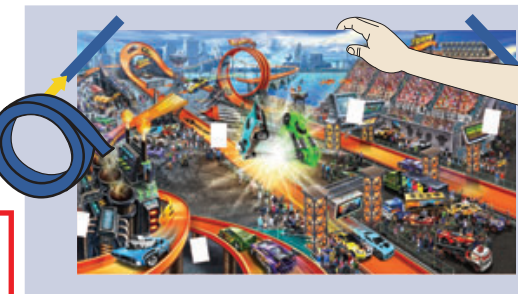
## START HERE:

Please read all instructions before beginning assembly and set-up.

### 1 HANG POSTER

Lie poster flat and level against wall and tape as shown. Top of poster should align with the height of the child.

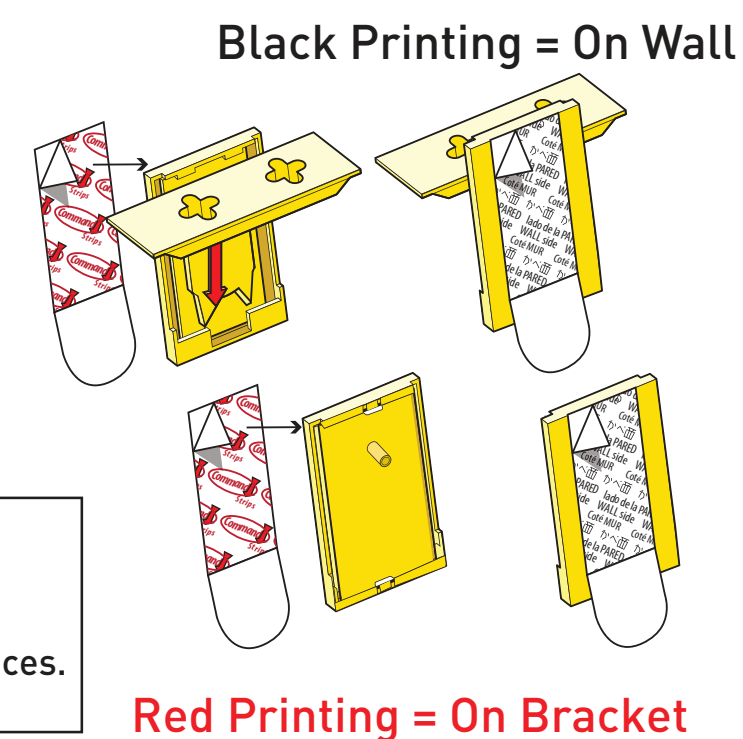
**NOTE TO PARENTS:** Before applying Command™ Strips make sure the wall surface is clean and dry. If cleaning is necessary 3M recommends using isopropyl rubbing alcohol. Do not use household cleaners.



### 2 PREPARE BRACKETS

You will find: 4 lettered brackets (marked A- D), 1 flat bracket, and 6 Command™ Strips (one extra strip). Separate strips. Remove red-printed liner from Command™ Strips and apply to back of brackets as shown. Make sure the strip tab is accessible for future removal.

**NOTE:** Apply strips to surfaces above 50°F (10°C). Adhesive could lose adhesion above 105°F (40°C).  
**CAUTION:** DO NOT use with wallpaper. May not adhere well to vinyl surfaces. DO NOT hang items over beds.



### 3 HANG BRACKETS

Remove black-printed liner from Command™ Strips and attach each bracket into the designated notch of the poster as shown.

Bracket should not overlap the poster.

Press bracket firmly onto wall and hold, pressing for 30 seconds.

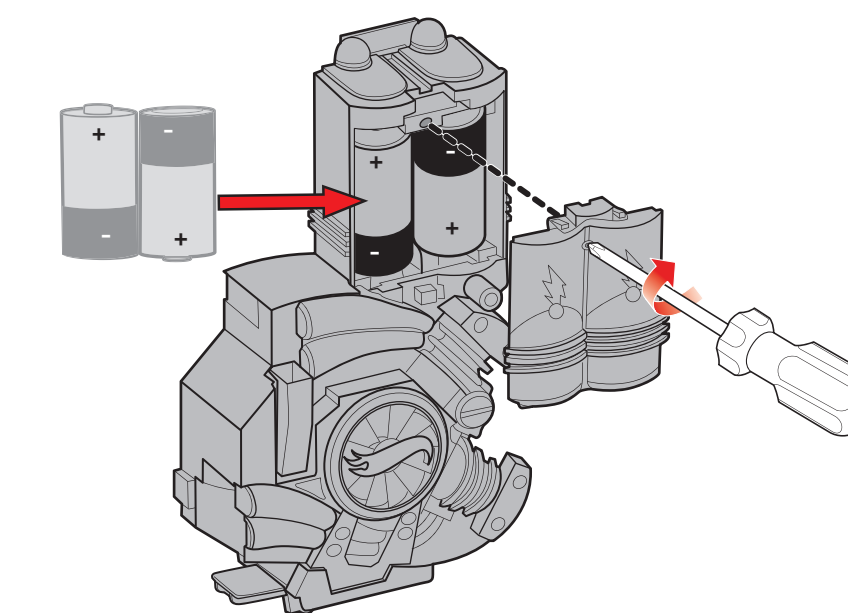
Red arrow should line up with arrow on bracket.

Note: For optimal adhesion performance 3M recommends waiting 1 hour before adding weight to Command™ Strips.



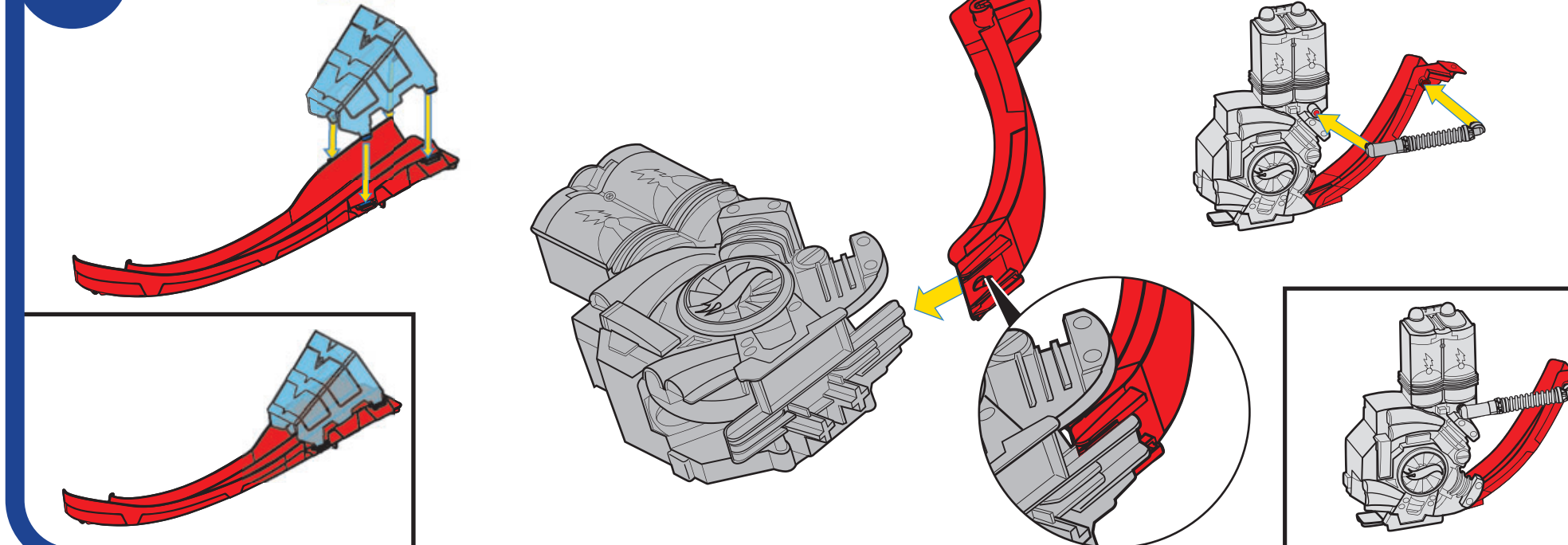
### 4 BATTERY INSTALLATION

- Unscrew the battery cover with a Phillips head screwdriver (not included).
- Install 2 "D" size (LR20) alkaline batteries (not included) in the orientation (+/-) shown.
- Replace battery cover and tighten screw.
- For longer life use alkaline batteries.
- Replace batteries when booster can no longer propel car through the track set.
- When exposed to an electrostatic source, the product may malfunction. To resume normal operation, remove and re-install the batteries.



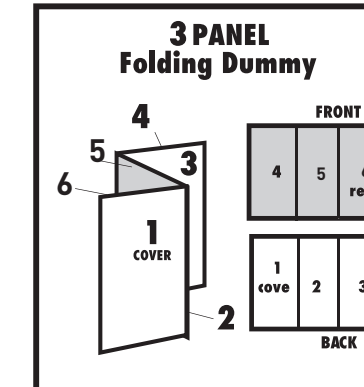
### 5 ASSEMBLE TRACK PIECES

Pre-assemble pieces as shown.



**SEE REVERSE FOR STEPS 6 - 9**

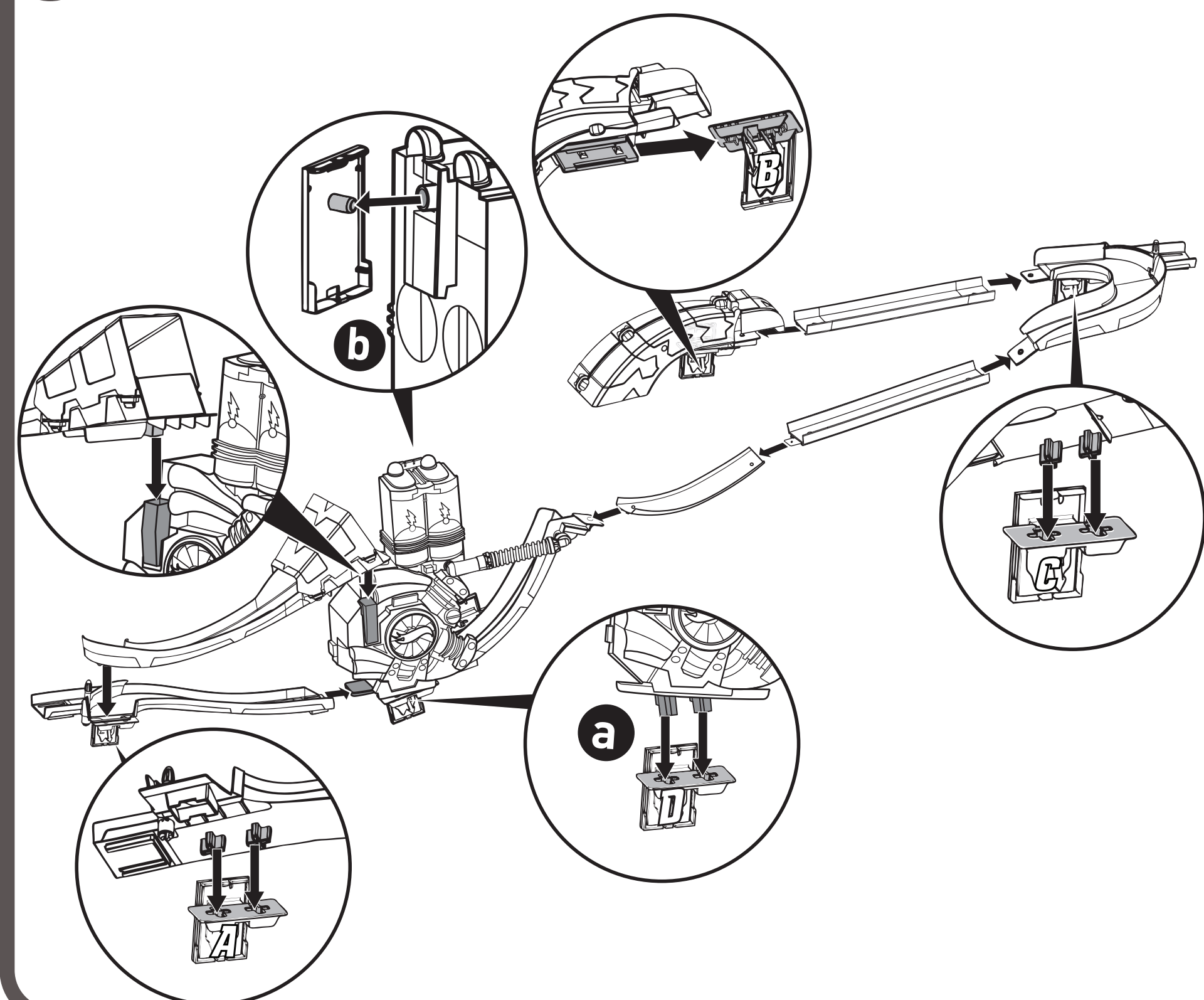
INSTRUCTION SHEET SPECIFICATIONS	
Title	HW WALL TRACKS COLOR 2016
Part No.	W3422
Print No.	0000
Print Date	11/18/17
Printed Size	11.75" x 17.125"
Type of File	Single
Color	CMYK
Color Mode	White Offset
Print Weight	70 lb
Print No.	



## SEE OTHER SIDE FOR STEPS 1-5

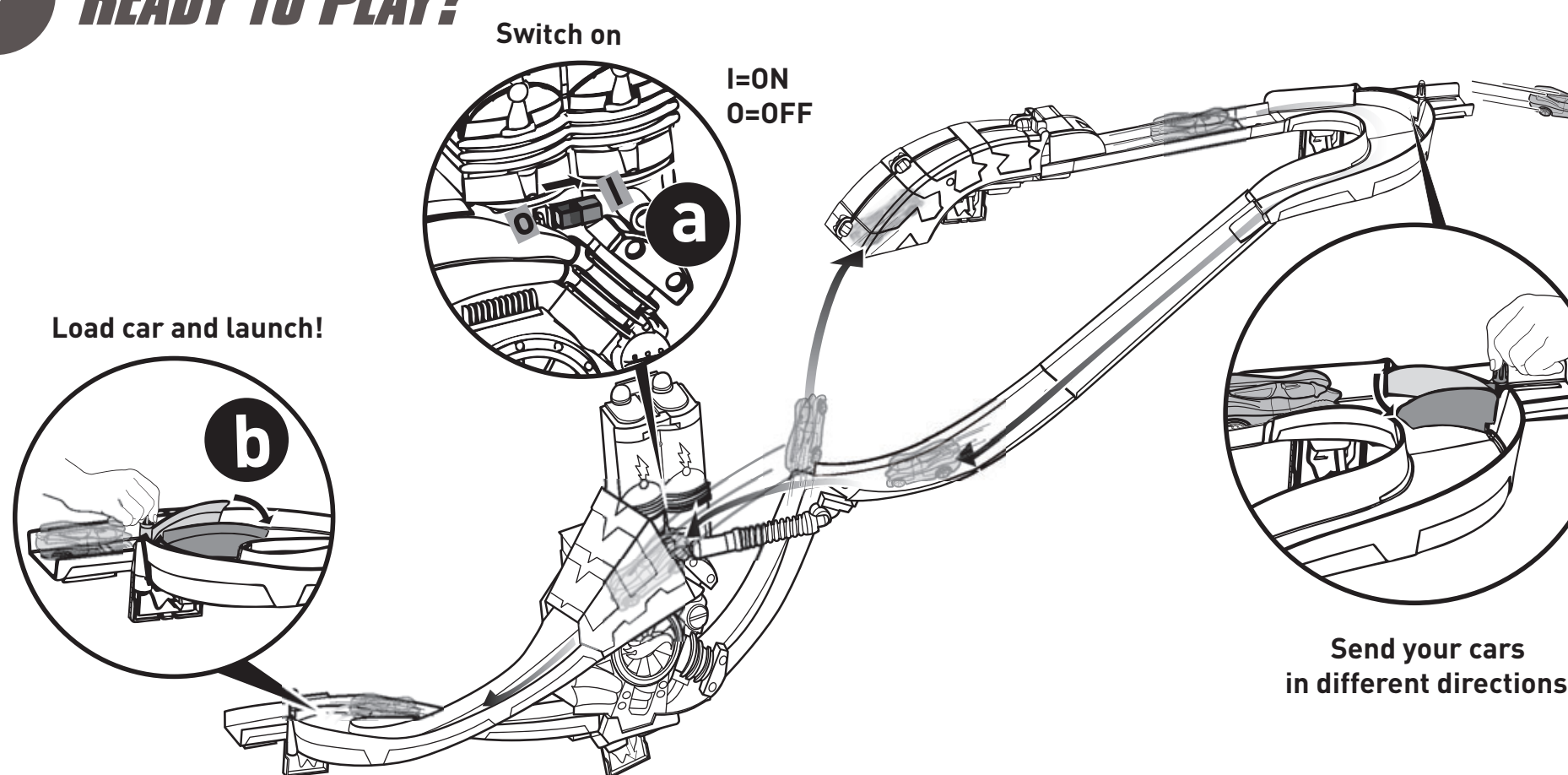
### 6 HANG TRACK ON WALL

Once poster and brackets are mounted on wall, attach track pieces as shown.



## FRONT

### 7 READY TO PLAY?



### 8 REATTACHING & REMOVAL

Mounting brackets are designed to break away from the set without causing surface damage. If mounting plate separates from bracket, snap bracket back into place.

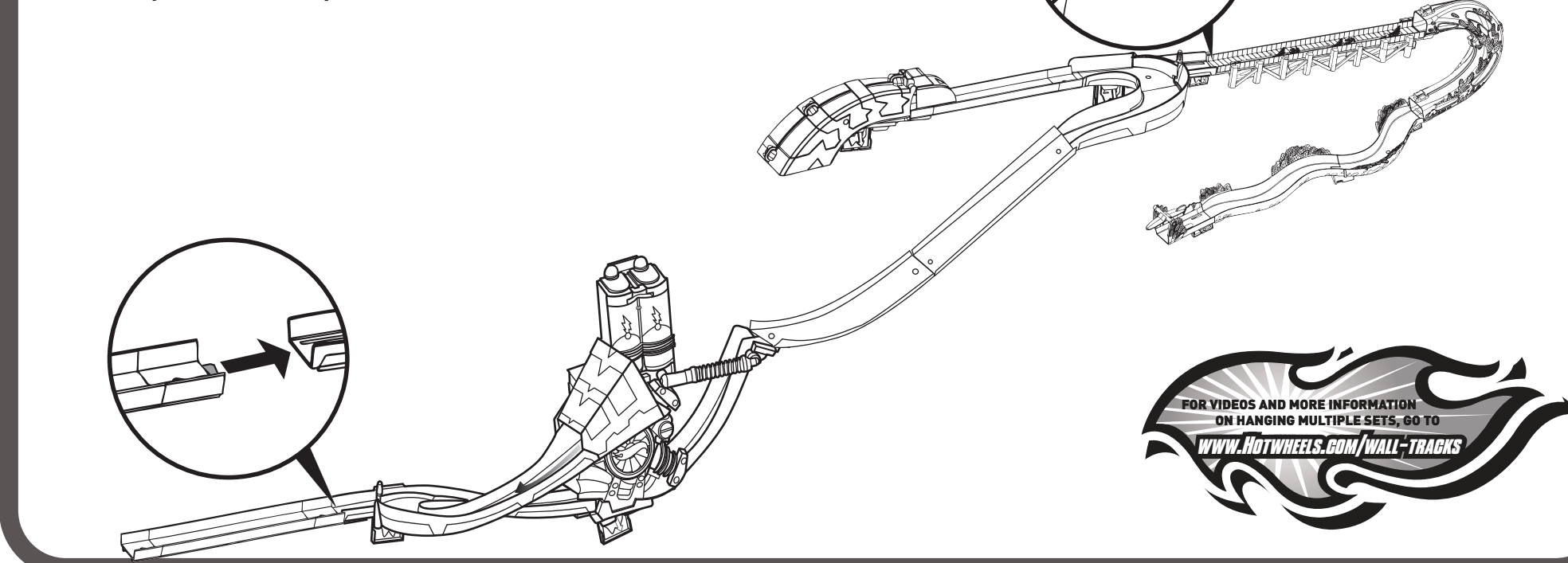
To remove brackets from the wall entirely:

- NEVER pull strip towards you.
- Hold bracket gently to prevent it from snapping fingers. DO NOT press against wall.
- Grab tab on Command™ Strip and SLOWLY STRETCH STRAIGHT DOWN ALONG WALL AT LEAST 12 INCHES until bracket and strip release.

Purchase medium Command™ Refill Strips to reapply to your wall.

### 9 CONNECT

Create your own set-ups with other Wall Tracks™ sets.



- BATTERY SAFETY INFORMATION**
- In exceptional circumstances batteries may leak fluids that can cause a chemical burn injury or ruin your product.
- To avoid battery leakage:
- Non-rechargeable batteries are not to be recharged.
  - Rechargeable batteries are to be removed from the product before being charged.
  - Rechargeable batteries are only to be charged under adult supervision.
  - Do not mix alkaline, standard (carbon-zinc), or rechargeable (nickel-cadmium) batteries.
  - Do not mix old and new batteries.
  - Only batteries of the same or equivalent type as recommended are to be used.
  - Batteries are to be inserted with the correct polarity.
  - Exhausted batteries are to be removed from the product.
  - The supply terminals are not to be short-circuited.
  - Dispose of batteries(s) safely.
  - Do not dispose of this product in a fire. The batteries inside may explode or leak.

Protect the environment by not disposing of this product with household waste (2002/96/EC). Check your local authority for recycling advice and facilities.

NOTE: Changes or modifications not expressly approved by the manufacturer responsible for compliance could void the user's authority to operate the equipment.

## BACK



W3422-0920  
Asst. W3421