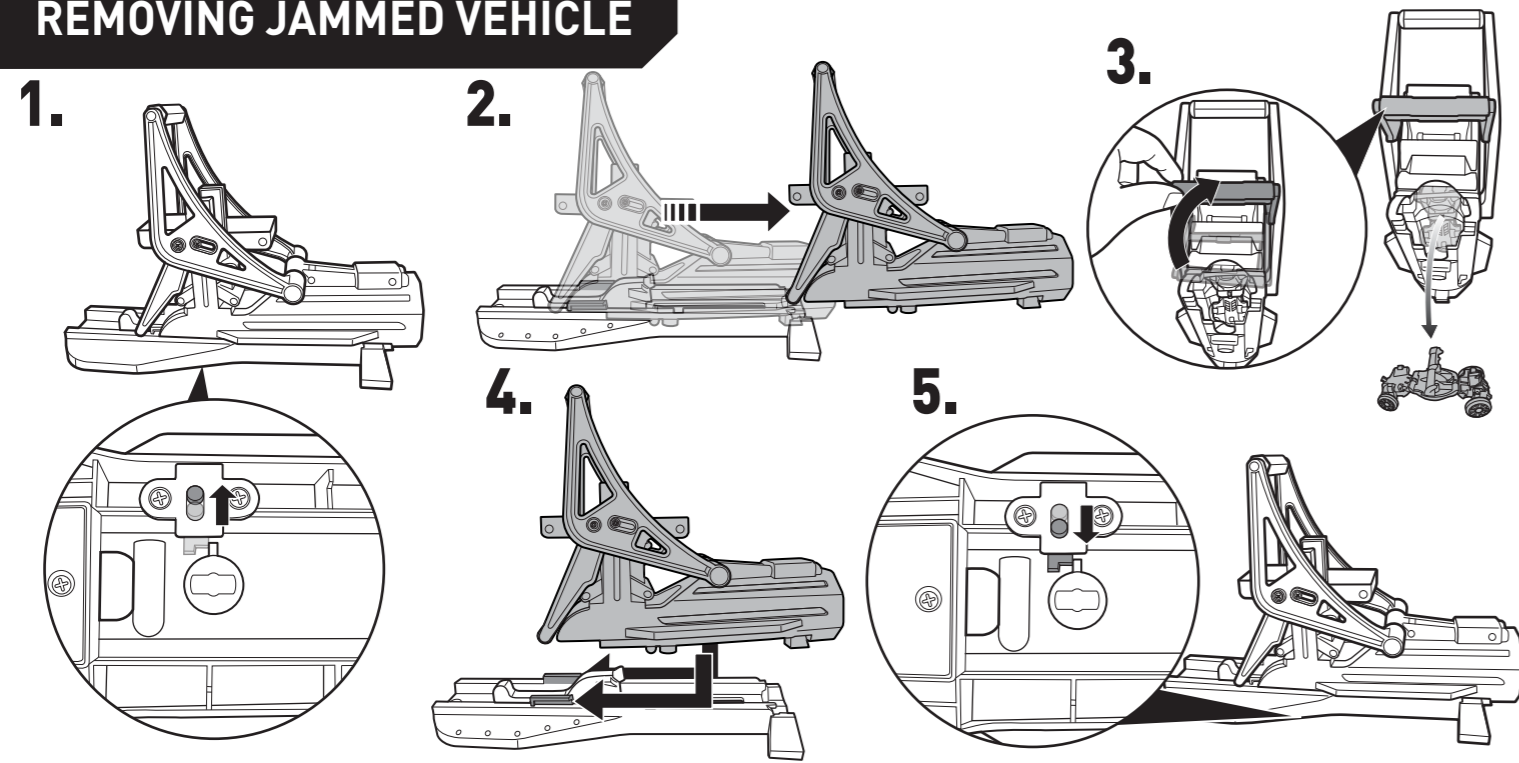


REMOVING JAMMED VEHICLE



Mattel, Inc., 636 Girard Avenue, East Aurora, NY 14052, U.S.A. Consumer Relations 1-800-524-8697. Mattel U.K. Ltd., Vanwall Business Park, Maidenhead SL6 4UB. Helpline 01628 500303. Mattel Australia Pty., Ltd., Richmond, Victoria. 3121. Consumer Advisory Service - 1300 135 312. Mattel East Asia Ltd., Room 1106, South Tower, World Finance Centre, Harbour City, Tsimshatsui, HK, China. Diimport & Diedarkan Oleh: Mattel SEA Ptd Ltd. (993532-P) Lot 13.5, 13th Floor, Menara Lien Hoe, Persiaran Tropicana Golf Country Resort, 47410 PJ. Tel:03-78803817, Fax:03-78803867. service.mattel.com

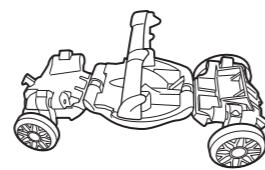
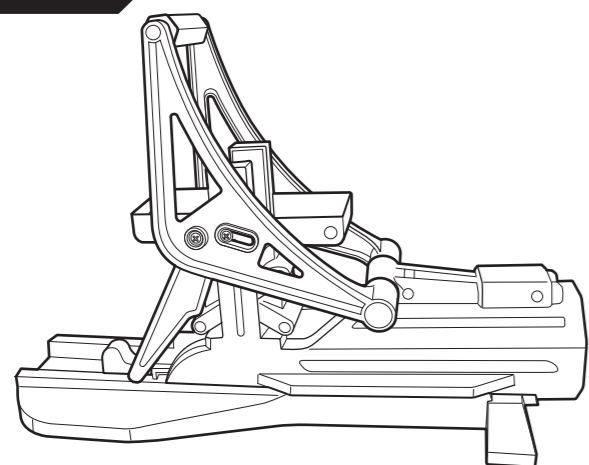


INSTRUCTIONS

COMBAT CANNON

CONTENTS

Please keep these instructions for future reference as they contain important information.

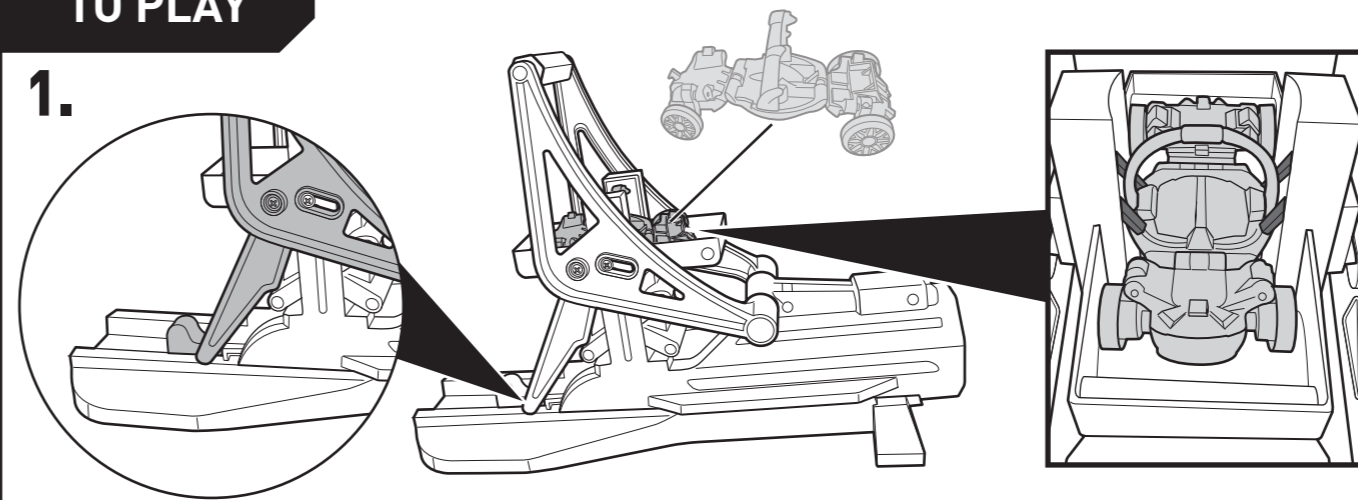


W3602-0920G1

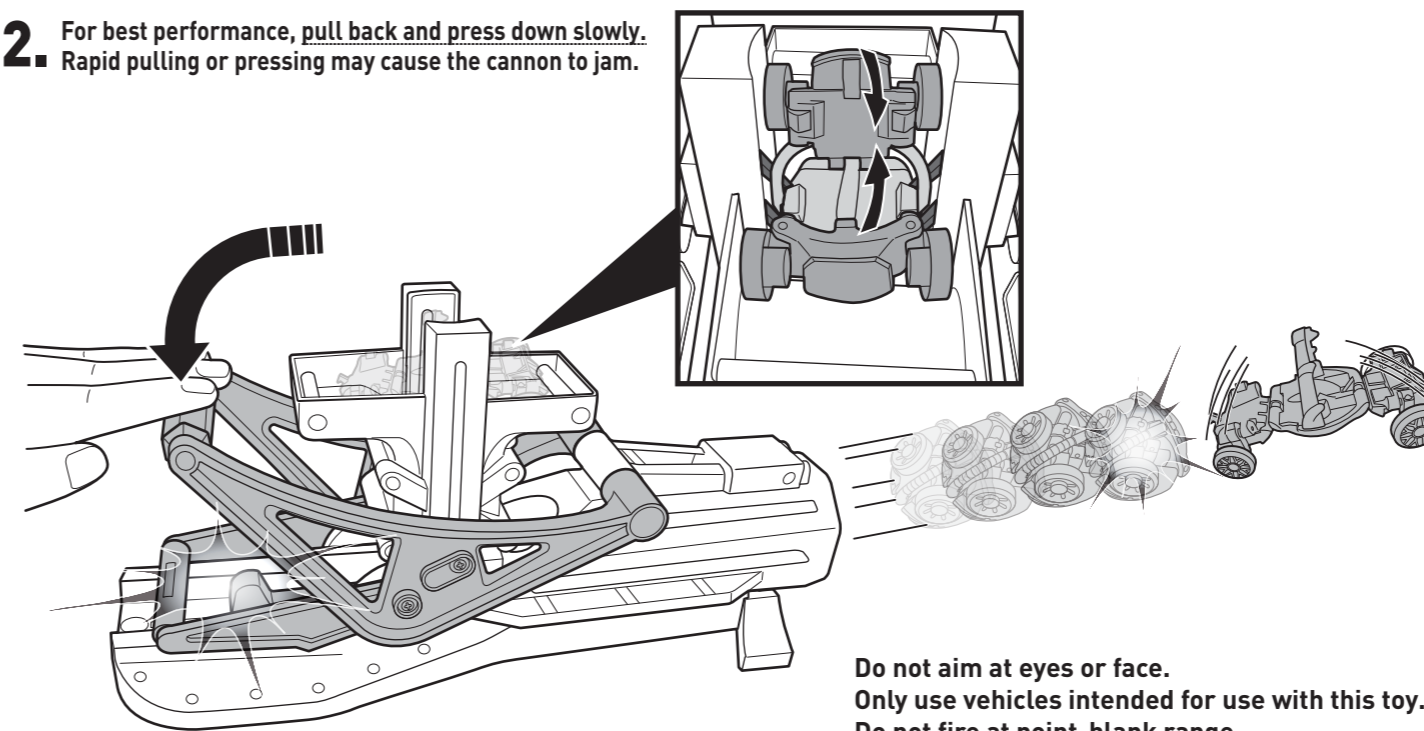
WARNING:
CHOKING HAZARD - Toy contains small parts. Not for children under 3 years.

©2012 Mattel. All Rights Reserved.

TO PLAY

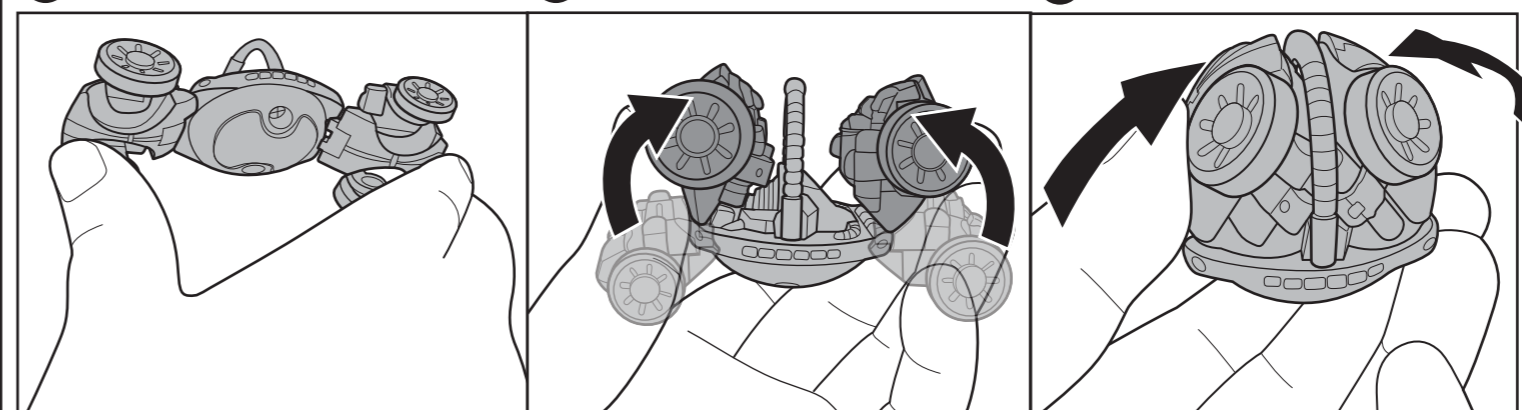


2 For best performance, pull back and press down slowly. Rapid pulling or pressing may cause the cannon to jam.



BALL MODE

a Position fingers as shown. **b** Push together. **c** Wheels fold in automatically.



INSTRUCTION SHEET SPECIFICATIONS

Toy: HW LOCK AND LOAD LAUNCH CANNON
 Toy No.: W3602
 Part No.: 0920G1
 Trim Size: 8.5" W x 11" H
 Folded Size: 8.5" W x 5.5" H
 Type of Fold: Single
 # colors: One
 Colors: Black
 Paper Stock: White Offset
 Paper Weight: 70 lb.
 EDM No.:



2 PANEL Folding Dummy

