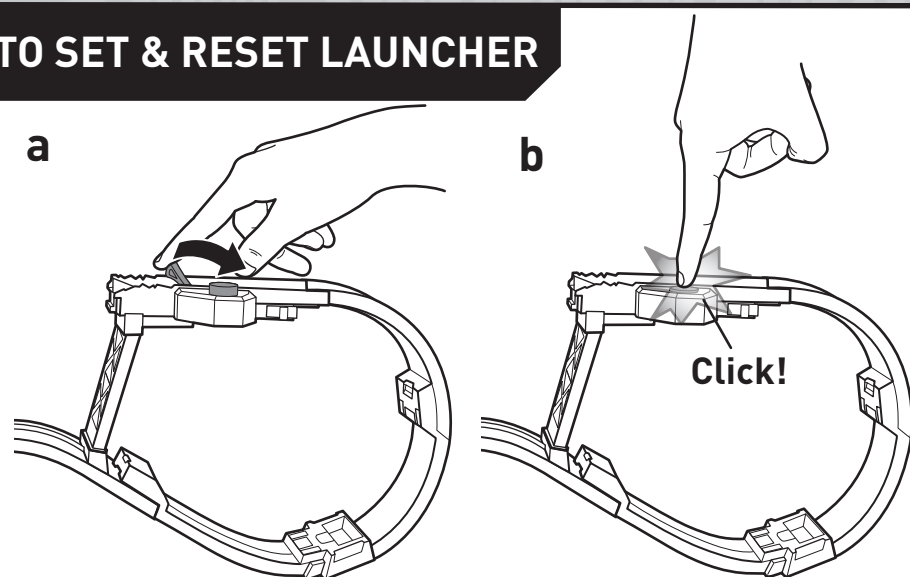
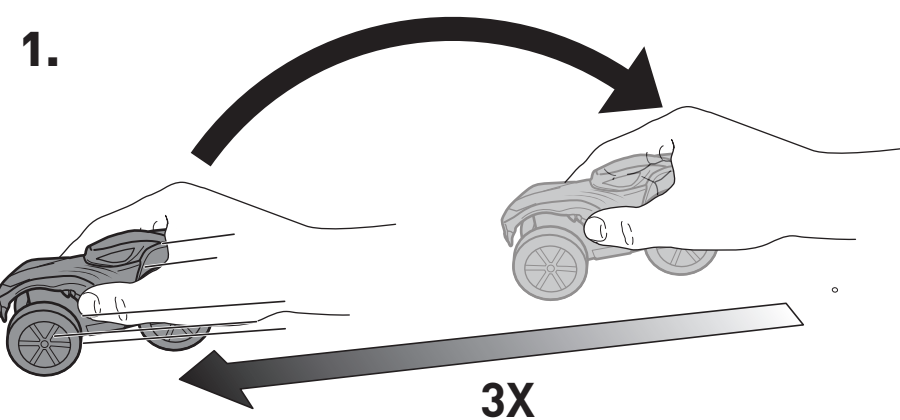


TO SET & RESET LAUNCHER



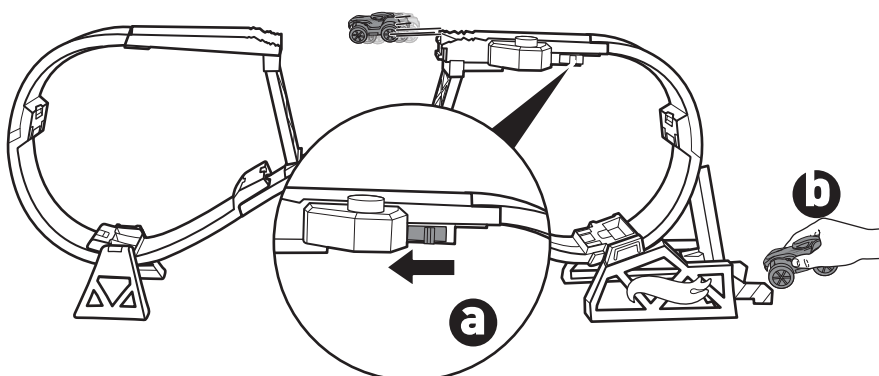
Push launch lever down until flush with track.

TO PLAY

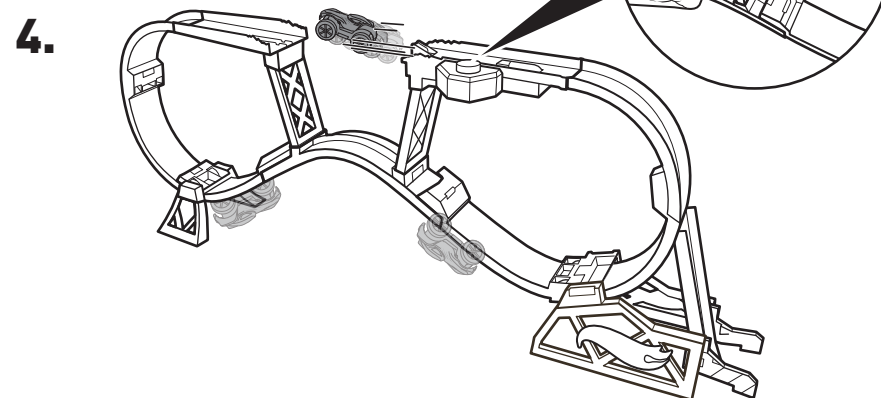
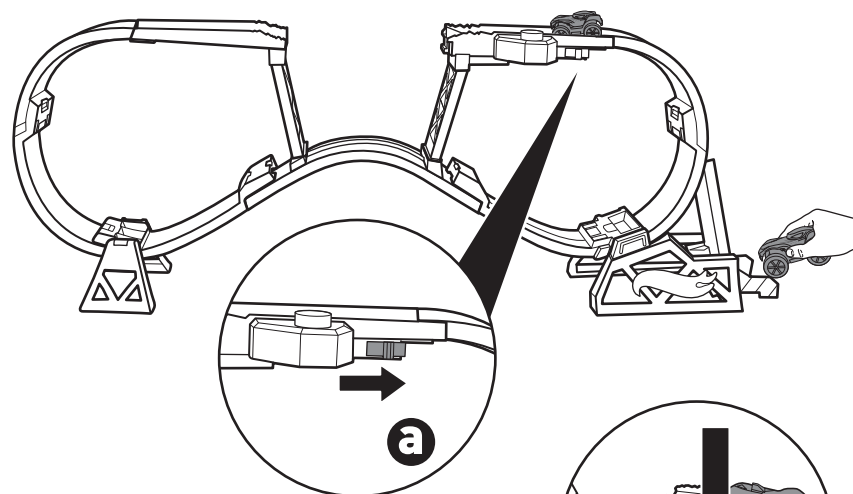


TO REV:
 1. Push vehicle forward gently. Rev slowly at first.
 2. Clicking sound means you are revving too fast.
 3. Increase rev speed with each push.

2. Auto jump! Reset launcher for continuous jump action.



3. Manual jump! Reset launcher to jump again.

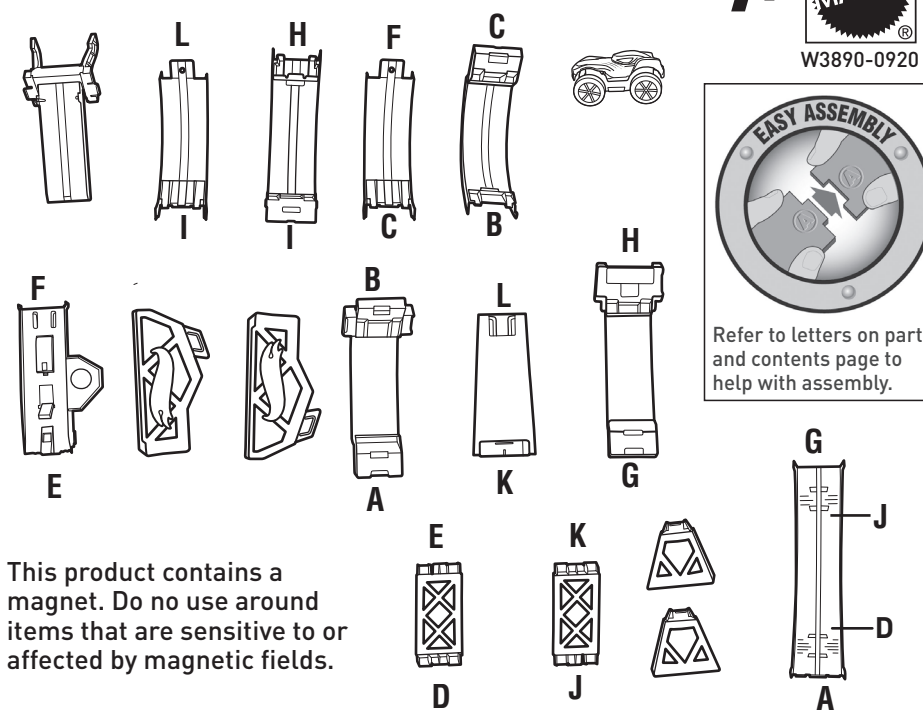


STUNT CIRCUIT™

INSTRUCTIONS

Please keep these instructions for future reference as they contain important information.

CONTENTS

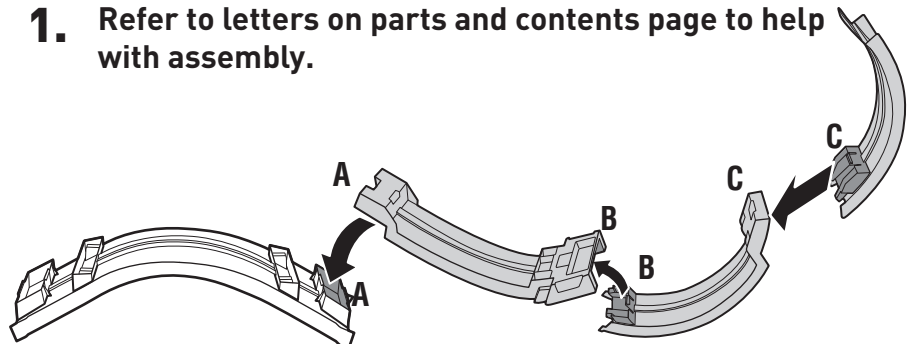


This product contains a magnet. Do not use around items that are sensitive to or affected by magnetic fields.

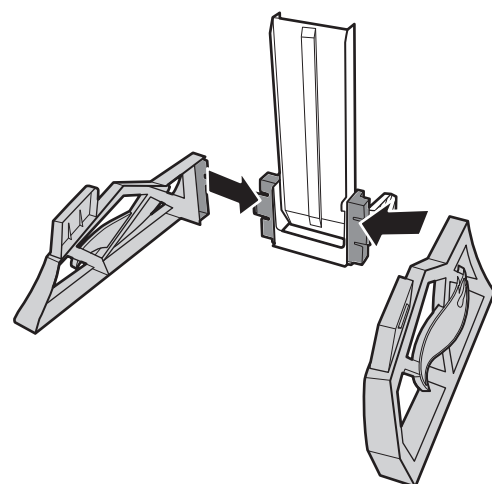
©2011 Mattel, Inc. All Rights Reserved. Mattel, Inc., 636 Girard Avenue, East Aurora, NY 14052, U.S.A. Consumer Relations 1-800-524-8697 • Mattel U.K. Ltd., Vanwall Business Park, Maidenhead SL6 4UB. Helpline 01628 500303. • Mattel Australia Pty., Ltd., Richmond, Victoria. 3121. Consumer Advisory Service - 1300 135 312. • Mattel East Asia Ltd., Room 1106, South Tower, World Finance Centre, Harbour City, Tsimshatsui, HK, China. • Diimport & Diedarkan Oleh: Mattel SEA Ptd Ltd.(993532-P) Lot 13.5, 13th Floor, Menara Lien Hoe, Perisaran Tropicana Golf Country Resort, 47410 P.J. Tel:03-78803817, Fax:03-78803867. service.mattel.com

ASSEMBLY

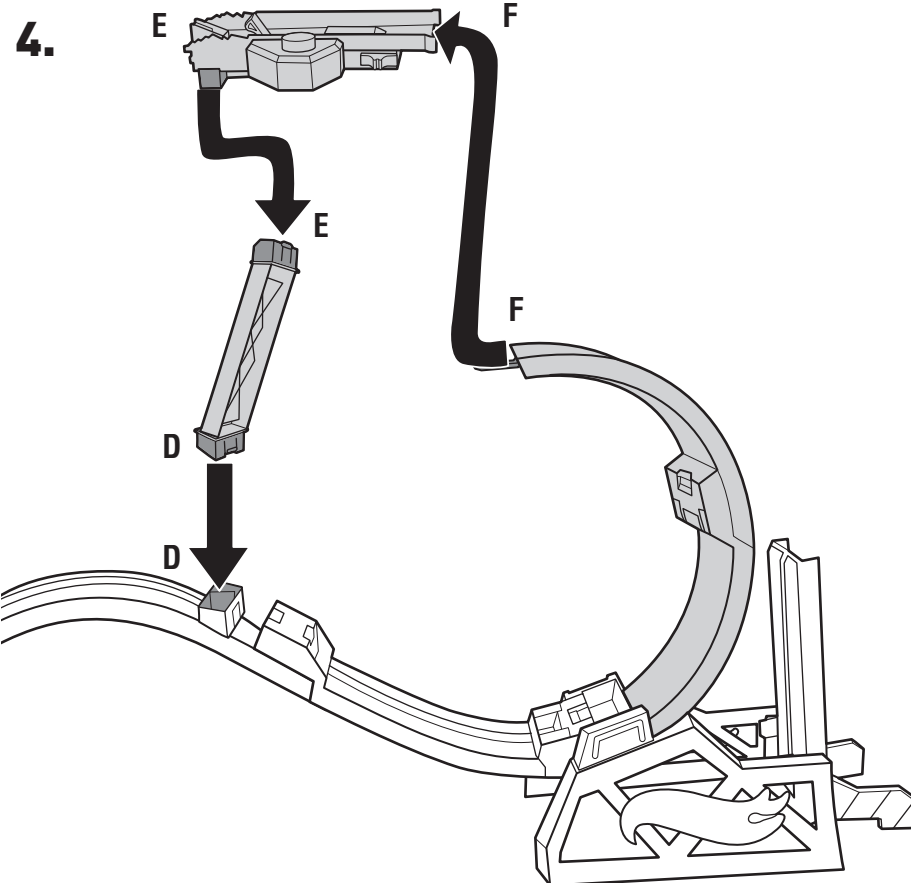
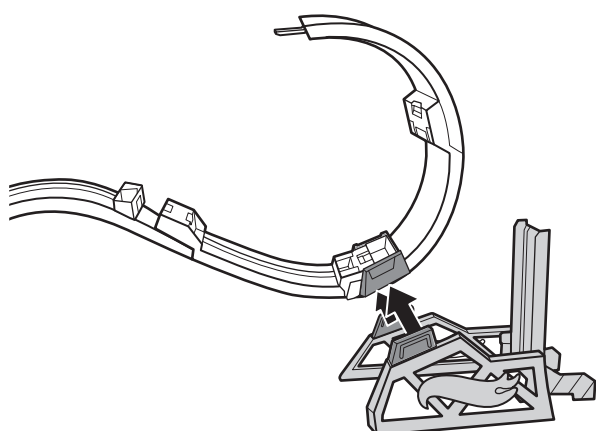
1. Refer to letters on parts and contents page to help with assembly.



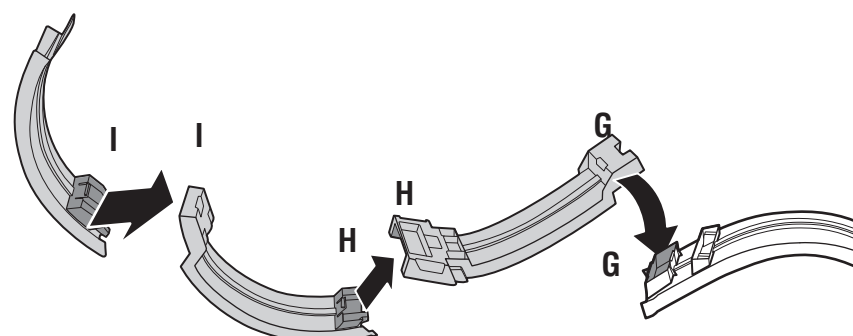
2.



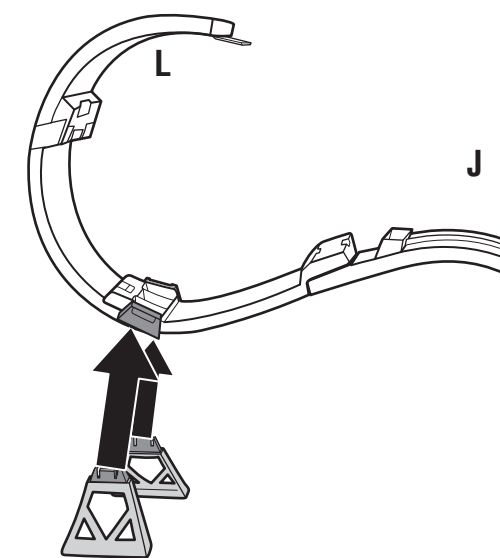
3.



5.



6.



7.

