

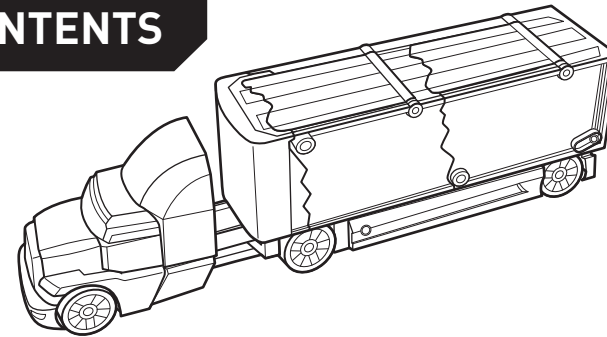


CRASHIN' BIG RIG

INSTRUCTIONS

Please keep these instructions for future reference as they contain important information.

CONTENTS



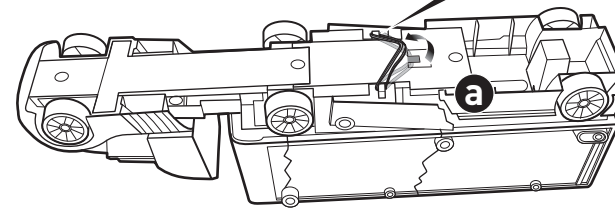
3+



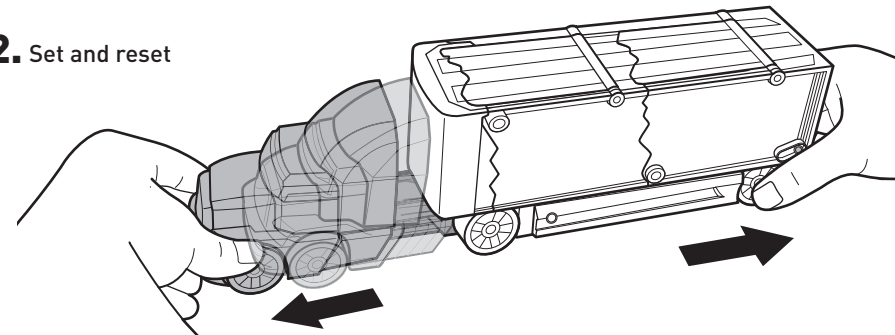
W4657-0920
Asst. W4656

TO PLAY

1. Remove and discard rubber band before play.



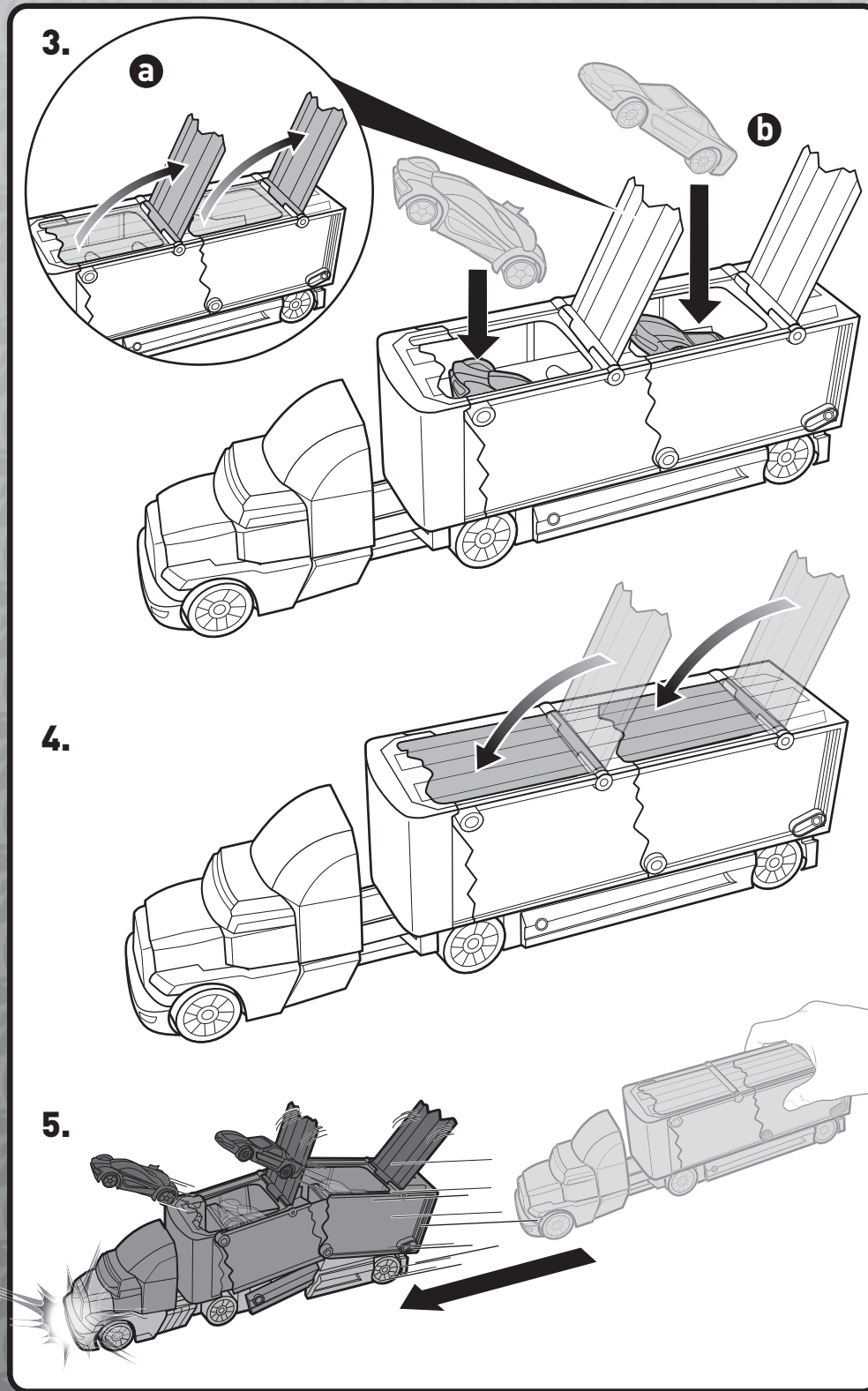
2. Set and reset



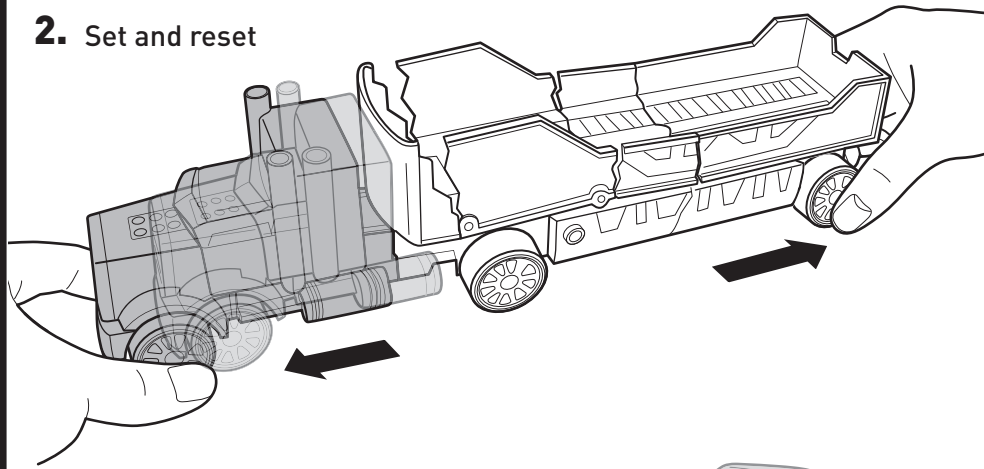
©2011 Mattel, Inc. All Rights Reserved. Mattel, Inc., 636 Girard Avenue, East Aurora, NY 14052, U.S.A. Consumer Relations 1-800-524-8697. • Mattel U.K. Ltd., Vanwall Business Park, Maidenhead SL6 4UB. Helpline 01628 500303. • Mattel Australia Pty., Ltd., Richmond, Victoria. 3121. Consumer Advisory Service - 1300 135 312. • Mattel East Asia Ltd., Room 1106, South Tower, World Finance Centre, Harbour City, Tsimshatsui, HK, China. • Diimport & Diedarkan Oleh: Mattel SEA Ptd Ltd.(993532-P) Lot 13.5, 13th Floor, Menara Lien Hoe, Persiaran Tropicana Golf Country Resort, 47410 PJ. Tel:03-78803817, Fax:03-78803867. service.mattel.com

INSTRUCTION SHEET SPECIFICATIONS

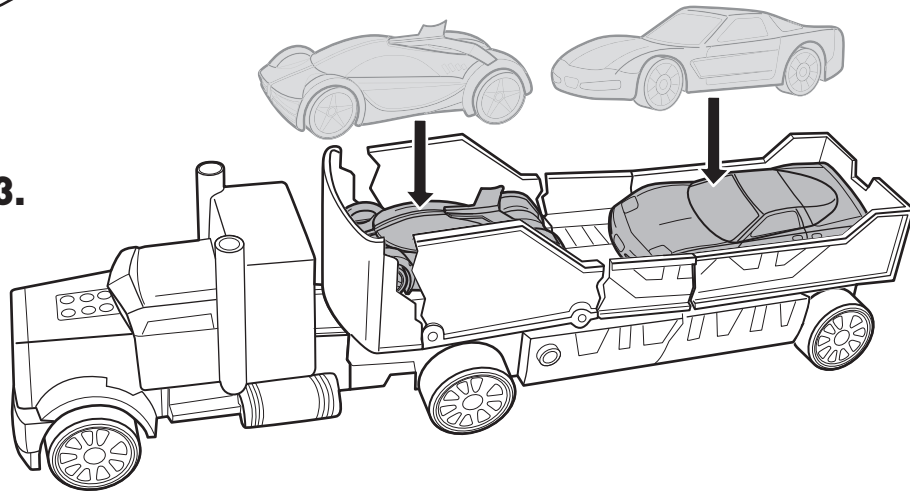
Toy: HW MJ CRASH & DESTROY
Toy No.: **W4657**
Part No.: 0920
Trim Size: 5.5" W x 8.5" H
Folded Size: 5.5" W x 8.5" H
Type of Fold: Single
colors: One
Colors: Black
Paper Stock: White Offset
Paper Weight: 70 lb.
EDM No.:



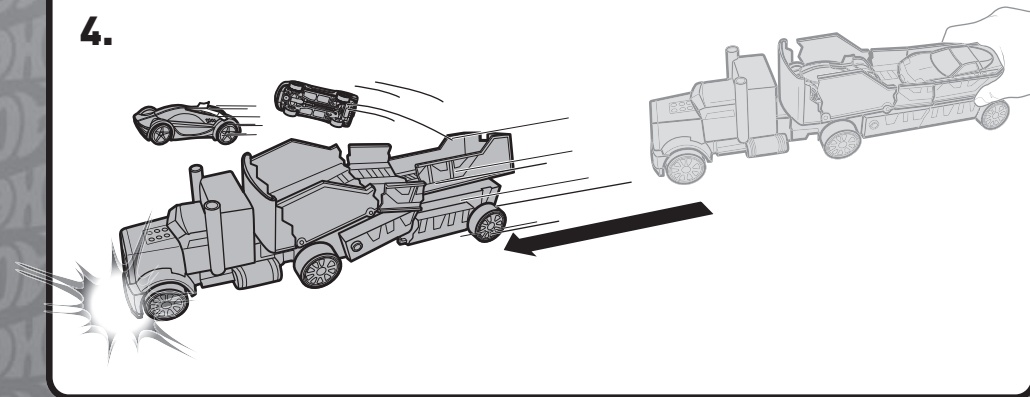
2. Set and reset



3.



4.

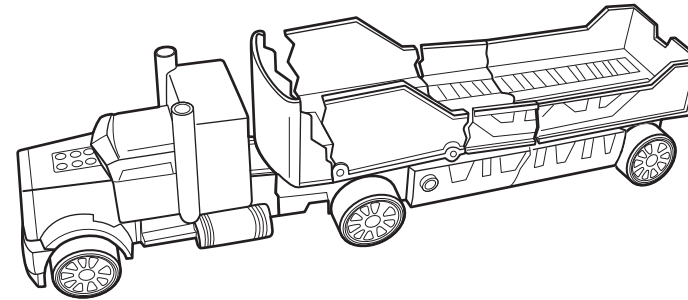


CRASHIN' BIG RIG

INSTRUCTIONS

Please keep these instructions for future reference as they contain important information.

CONTENTS



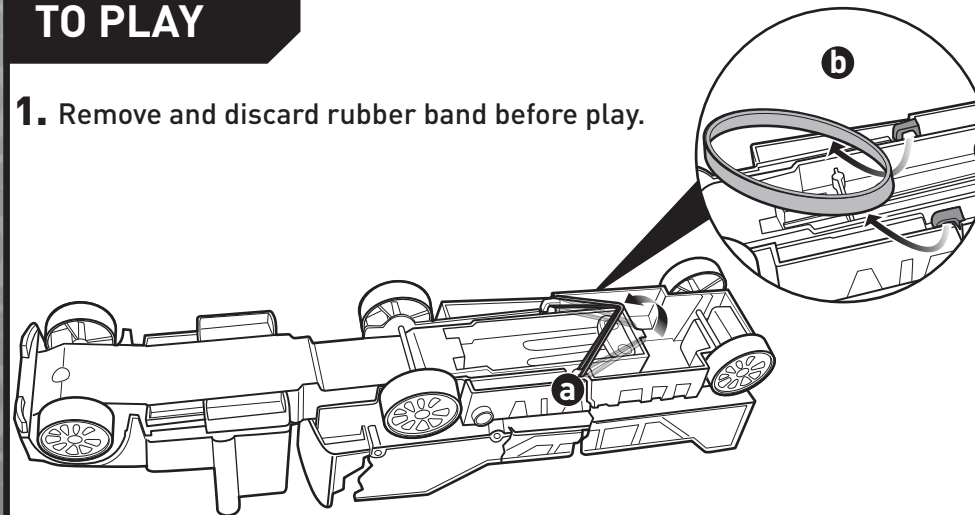
3+



W4659-0920
Asst. W4656

TO PLAY

1. Remove and discard rubber band before play.



INSTRUCTION SHEET SPECIFICATIONS

Toy:	HW MJ CRASH & DESTROY
Toy No.:	W4659
Part No.:	0920
Trim Size:	5.5" W x 8.5" H
Folded Size:	5.5" W x 8.5" H
Type of Fold:	Single
# colors:	One
Colors:	Black
Paper Stock:	White Offset
Paper Weight:	70 lb.
EDM No.:	