



5+



W5697-0920

Keep these instructions for future reference as they contain important information. **IMPORTANT:** Please read all "Consumer Information" before operating your vehicle.

**CAUTION:** To prevent entanglement, keep all hair away from the wheels.

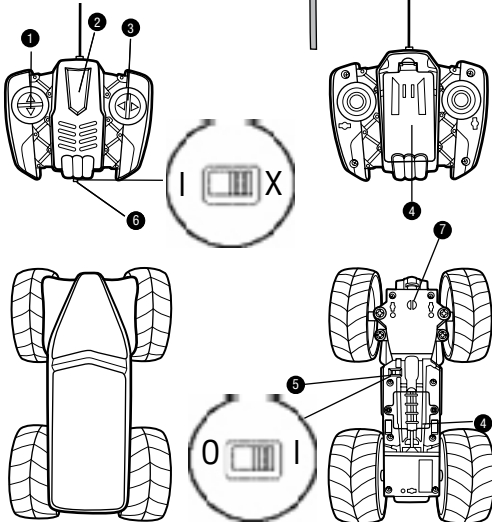
**CAUTION:** Surfaces may become hot and cause burns if electronics get wet. Do not operate vehicle through water or snow.

## I. CONTENTS/ FEATURES

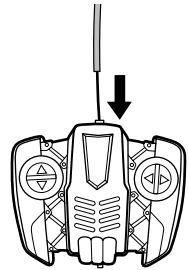
This set includes: 1 vehicle, 1 transmitter, 1 antenna tube.

- 1 Forward / Reverse
- 2 Sound effects
- 3 Left / Right
- 4 Battery cover
- 5 ON(I) / OFF(O)
- 6 ON(I) / TRY ME (X)
- 7 Steering adjuster - Adjust, if necessary, to keep vehicle running straight

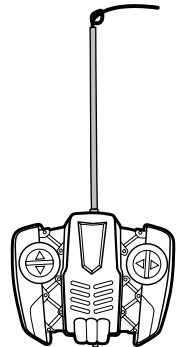
Antenna tube



- a. Insert loose antenna wire into antenna tube and secure by pushing it firmly into the hole in the transmitter.



- b. Tie a knot at the end of the loose antenna wire to keep it in place.



## II. BATTERY INSTALLATION

### (Transmitter & Vehicle)

Requires 4 AA alkaline batteries for the vehicle and includes 2 AA batteries for the transmitter.

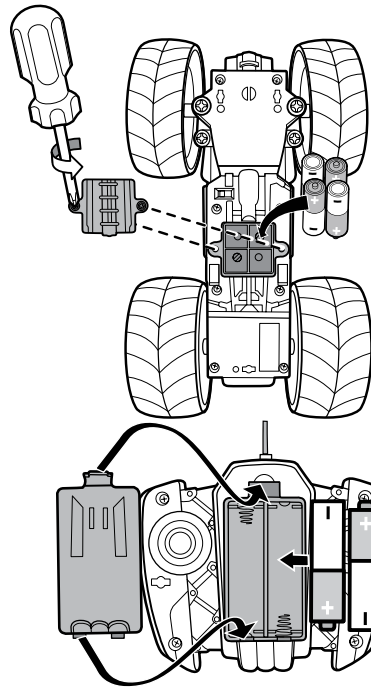
NOTE TO ADULTS: Batteries included are for demonstration purposes only.

#### Vehicle

1. Unscrew the battery cover with a Phillips head screwdriver (not included).
2. Install 4 new AA alkaline batteries in the orientation (+/-) shown.
3. Replace battery cover and tighten screws.

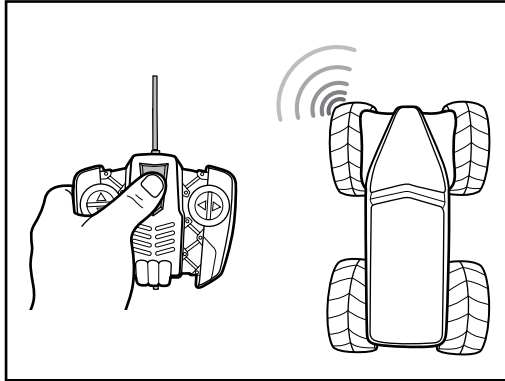
#### Transmitter

1. Remove the battery cover.
2. Remove the exhausted batteries and dispose of properly.
3. Install 2 new AA alkaline batteries in the orientation (+/-) shown.
4. Replace battery cover.

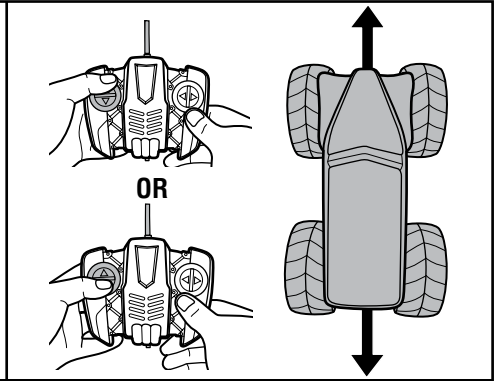


## III. OPERATION

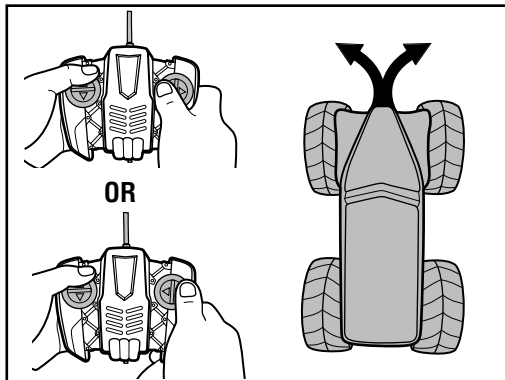
### GRAVE DIGGER® SOUNDS!



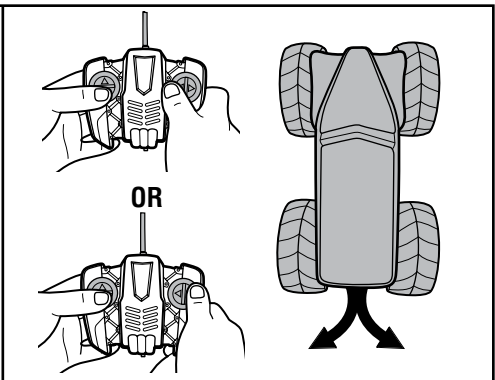
### FORWARD OR REVERSE



### FORWARD LEFT OR RIGHT

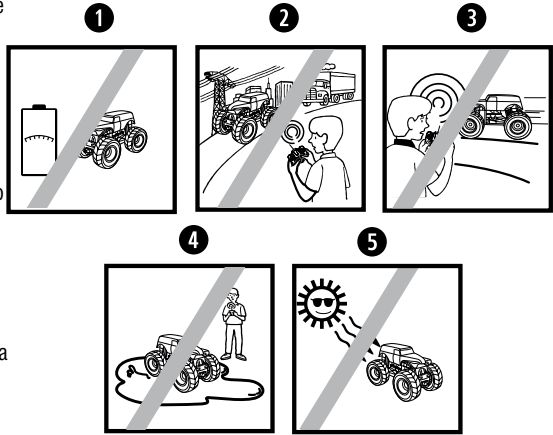


### REVERSE LEFT OR RIGHT



## IV. QUICK TIPS

- 1 When your vehicle starts to lose power, it may lose functionality or performance. It's time for fresh batteries. Your vehicle's running time may change depending on your driving style.
- 2 Radio interference can affect your vehicle's performance. Interference can be caused by other R/C vehicles running on the same frequency, electrical wires, large buildings or CB radios. Try to stay away from these!
- 3 Point your transmitter up - not down toward your vehicle. If your vehicle gets too far away, it won't work properly.
- 4 Don't drive your vehicle in sand or through water or snow. If your vehicle does get wet, wipe it with a towel and allow to dry completely overnight.
- 5 Don't store your vehicle near heat or in direct sunlight. Always turn switches OFF and remove all batteries for storage.
- 6 If the vehicle malfunctions, please turn the vehicle and transmitter's power OFF and ON again. This should reset your vehicle and let you resume normal operation.



## V. BATTERY SAFETY INFORMATION

In exceptional circumstances batteries may leak fluids that can cause a chemical burn injury or ruin your product. To avoid battery leakage:

- Non-rechargeable batteries are not to be recharged.
- Rechargeable batteries are to be removed from the product before being charged.
- Rechargeable batteries are only to be charged under adult supervision.
- Do not mix alkaline, standard (carbon-zinc), or rechargeable (nickel-cadmium) batteries.
- Do not mix old and new batteries.
- Only batteries of the same or equivalent type as recommended are to be used.
- Batteries are to be inserted with the correct polarity.
- Exhausted batteries are to be removed from the product.
- The supply terminals are not to be short-circuited.
- Dispose of battery(ies) safely.
- Do not dispose of this product in a fire. The batteries inside may explode or leak.

### Battery Performance Note:

For best performance use regular or high-performance alkaline batteries (where disposable batteries are called for). If your vehicle is supplied with standard (carbon-zinc) batteries for initial use and/or demonstration purposes, we recommend replacing them with alkaline batteries when necessary. Battery life may vary depending on battery brand.

## VI. CONSUMER INFORMATION

Note to Adults: To ensure that the child's play is both safe and fun, please review all operating instructions and safety rules with your child.

### Safety Tips

- NEVER drive your vehicle on streets! They're for real cars!
- DO NOT pick up the vehicle while in motion.
- Keep fingers, hair and loose clothing away from the tires and the wheel hubs while the vehicle is switched ON.
- Adult supervision is recommended when this vehicle is being operated.
- To avoid accidental operation, remove all batteries when not in use.



Protect the environment by not disposing of this product with household waste (2002/96/EC). Check your local authority for recycling advice and facilities.

©2011 Mattel, Inc. All Rights Reserved. Mattel, Inc., 636 Girard Avenue, East Aurora, NY 14052, U.S.A. Consumer Relations 1-888-557-8926. • Mattel U.K. Ltd., Vanwall Business Park, Maidenhead SL6 4UB. Helpline 01628 500303. • Mattel Australia Pty., Ltd., Richmond, Victoria. 3121. Consumer Advisory Service - 1300 135 312. • Mattel East Asia Ltd., Room 1106, South Tower, World Finance Centre, Harbour City, Tsimshatsui, HK, China. • Diimport & Diedarkan Oleh: Mattel SEA Ptd Ltd.(993532-P) Lot 13.5, 13th Floor, Menara Lien Hoe, Persiaran Tropicana Golf Country Resort, 47410 PJ. Tel:03-78803817, Fax:03-78803867. service.mattel.com

© 2012 Feld Motor Sports, Inc.

Monster Jam®, United States Hot Rod Association®, USHRA®, Afterburner™, Backwards Bob®, Blacksmith®, Blue Thunder®, Bulldozer®, Captain's Curse®, Dragon's Breath™, El Toro Loco®, Grave Digger®, Grave Digger The Legend™, Grinder™, Crusader™, Maximum Destruction®, Mohawk Warrior®, Monster Mutt®, and Son-uva Digger™ are all trademarks of Feld Motor Sports, Inc.

SUPERMAN and all related characters and elements are trademarks of and © DC Comics.  
(s12)

BATMAN and all related characters and elements are trademarks of and © DC Comics.  
(s12)

LOONEY TUNES and all related characters and elements are trademarks of and © Warner Bros. Entertainment Inc.  
(s12)

© 2012 Viacom International Inc. All Rights Reserved.  
TEENAGE MUTANT NINJA TURTLES and all related titles, logos and characters are trademarks of Viacom International Inc.

TM & © 2012 Marvel & Subs.

**This device complies with Part 15 of the FCC Rules.**

**Operation is subject to the following two conditions:**

(1) This device may not cause harmful interference, and (2) this device must accept any interference received, including interference that may cause undesired operation.

- This equipment has been tested and found to comply with the limits for a Class B digital device, pursuant to part 15 of the FCC rules. These limits are designed to provide reasonable protection against harmful interference in a residential installation. This equipment generates, uses and can radiate radio frequency energy and, if not installed and used in accordance with the instructions, may cause harmful interference to radio communications. However, there is no guarantee that interference will not occur in a particular installation. If this equipment does cause harmful interference to radio or television reception, which can be determined by turning the equipment off and on, the user is encouraged to try to correct the interference by one or more of the following measures:
  - Reorient or relocate the receiving antenna.
  - Increase the separation between the equipment and receiver.
  - Connect the equipment into an outlet on a circuit different from that to which the receiver is connected.
  - Consult the dealer or an experienced radio/TV technician for help.

**NOTE:** Changes or modifications not expressly approved by the manufacturer responsible for compliance could void the user's authority to operate the equipment.