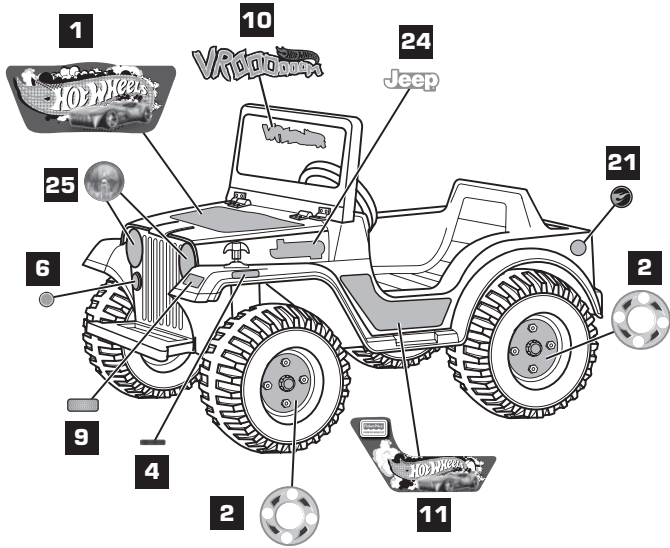


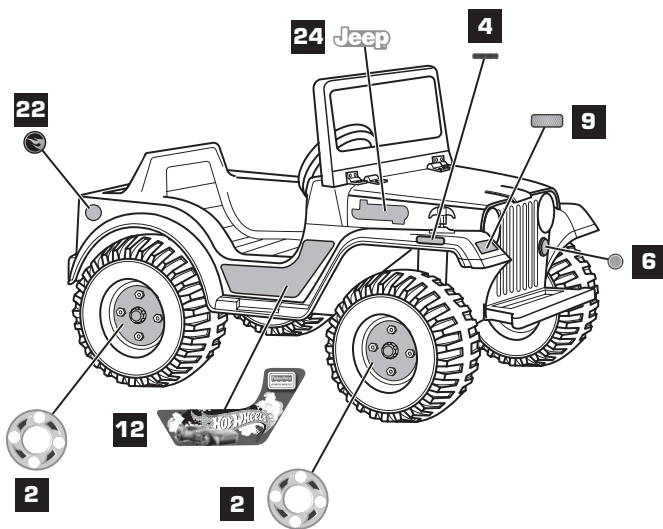


## DECORATION

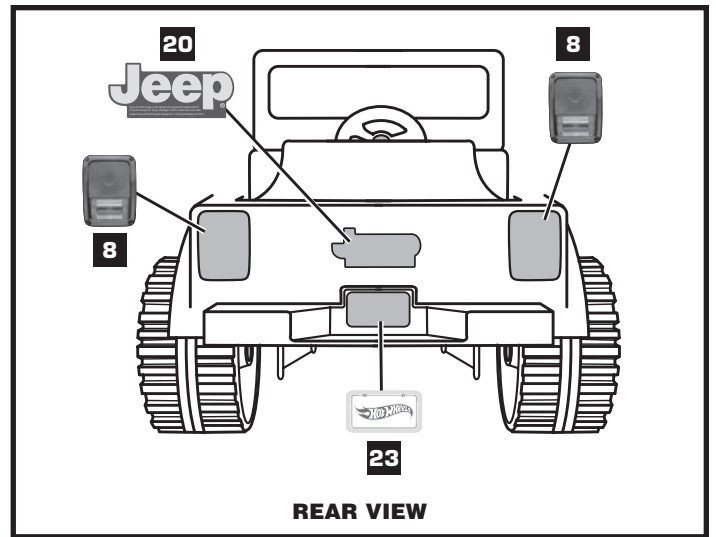
For Models W6199 and X2247



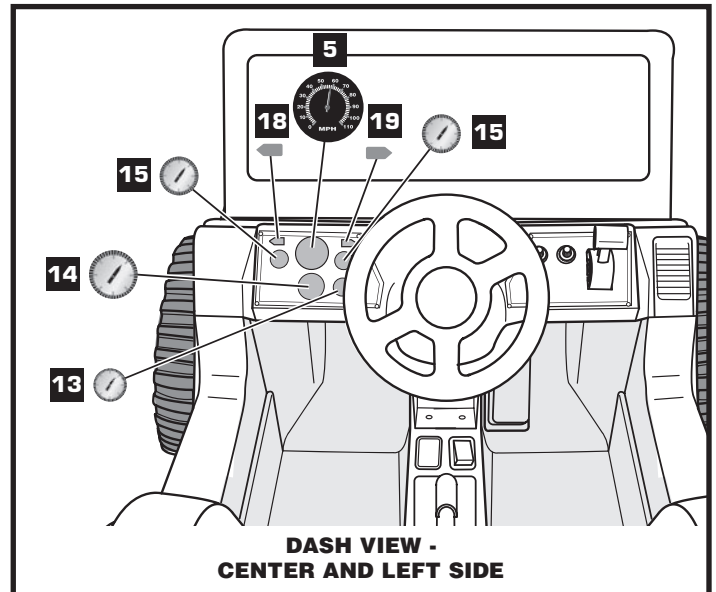
LEFT SIDE



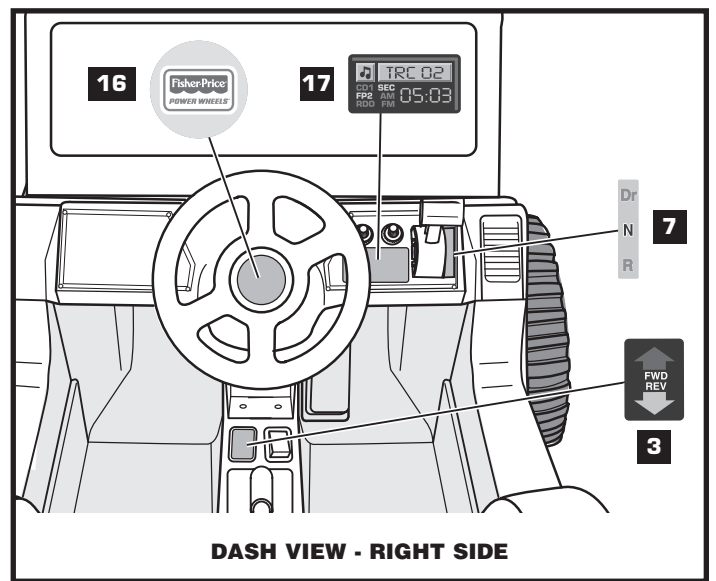
RIGHT SIDE



REAR VIEW



DASH VIEW - CENTER AND LEFT SIDE



DASH VIEW - RIGHT SIDE



Jeep® and the Jeep® grille design are registered trademarks of Chrysler Group LLC. Jeep® Wrangler and its trade dress are used under license from Chrysler Group LLC. © Chrysler Group LLC 2011.

Fisher-Price, Inc., a subsidiary of Mattel, Inc., East Aurora, New York 14052 U.S.A.

©2011 Mattel, Inc. All Rights Reserved. \* and ™ designate U.S. trademarks of Mattel, Inc., unless otherwise indicated.