

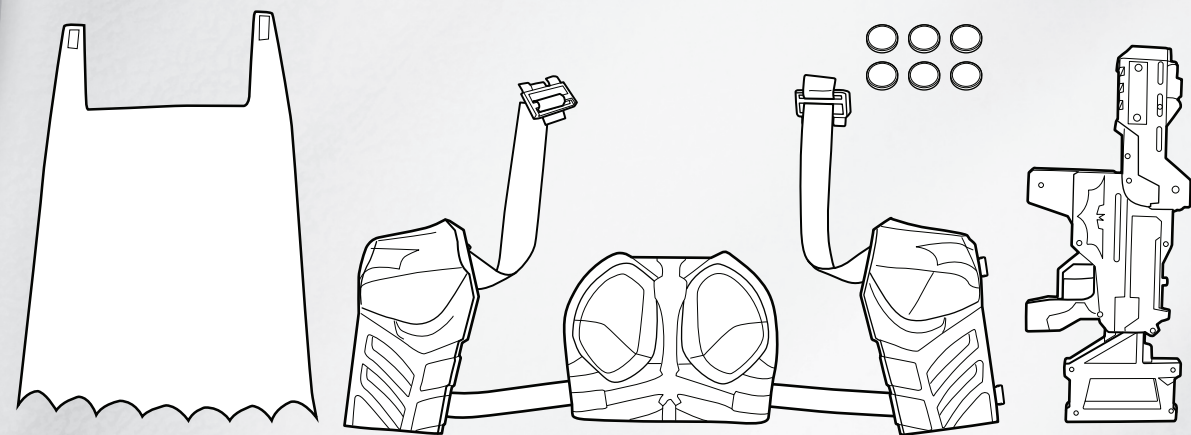
BATMAN™ COMBAT PACK

INSTRUCTIONS

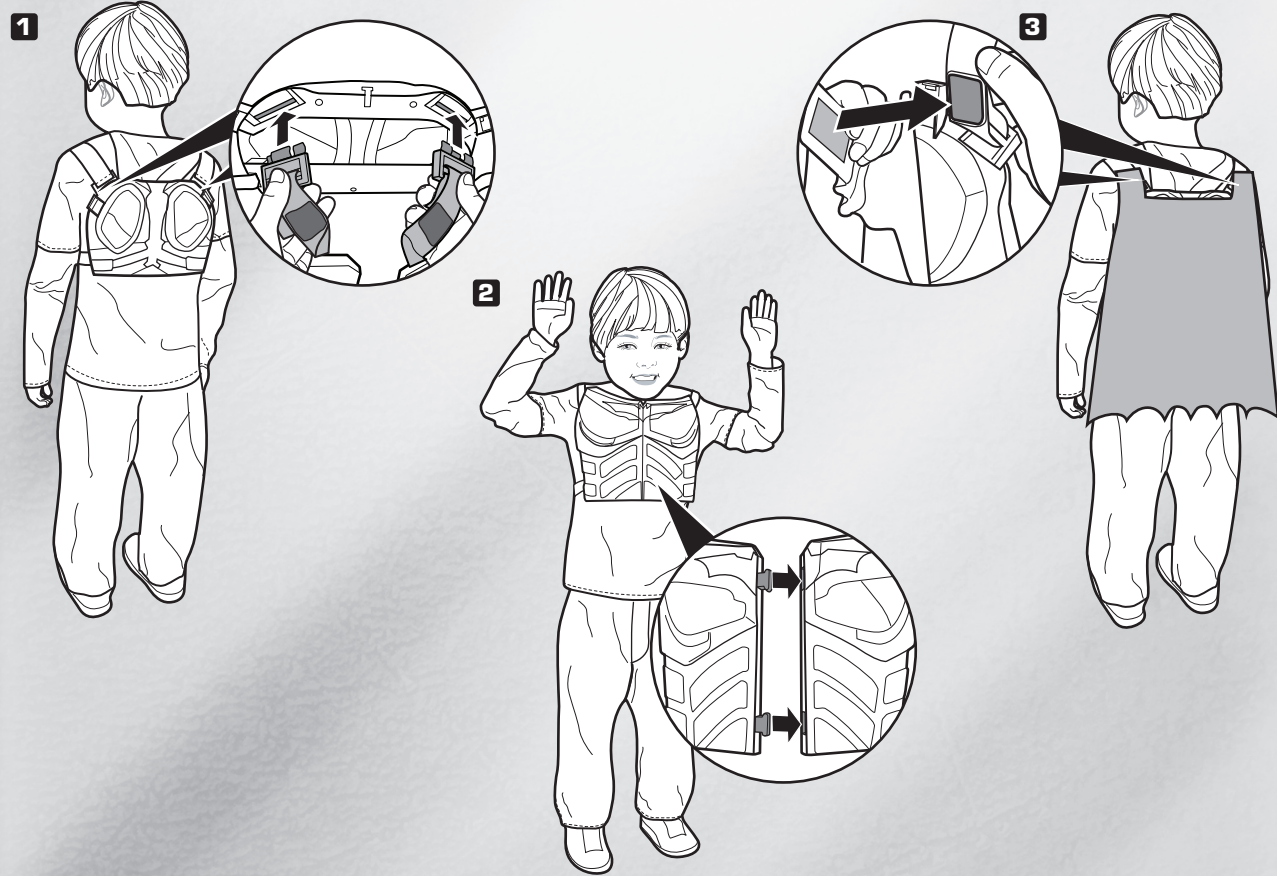
4+

Please keep these instructions for future reference as they contain important information.

CONTENTS



TO PLAY



©2011 Mattel. All Rights Reserved. Mattel, Inc., 636 Girard Avenue, East Aurora, NY 14052. U.S.A. Consumer Relations 1-800-524-8697. Mattel U.K. Ltd., Vanwall Business Park, Maidenhead SL6 4UB. Helpline 01628 500303. Mattel Australia Pty., Ltd., Richmond, Victoria, 3121. Consumer Advisory Service - 1300 135 312. Mattel East Asia Ltd., Room 1106, South Tower, World Finance Centre, Harbour City, Tsimshatsui, HK, China. Diimport & Diedarkan Oleh: Mattel SEA Ptd Ltd. (993532-P) Lot 13.5, 13th Floor, Menara Lien Hoe, Persiaran Tropicana Golf Country Resort, 47410 P.J. Tel:03-78803817, Fax:03-78803867.

BATMAN and all related characters and elements are trademarks of and © DC Comics. (s12)

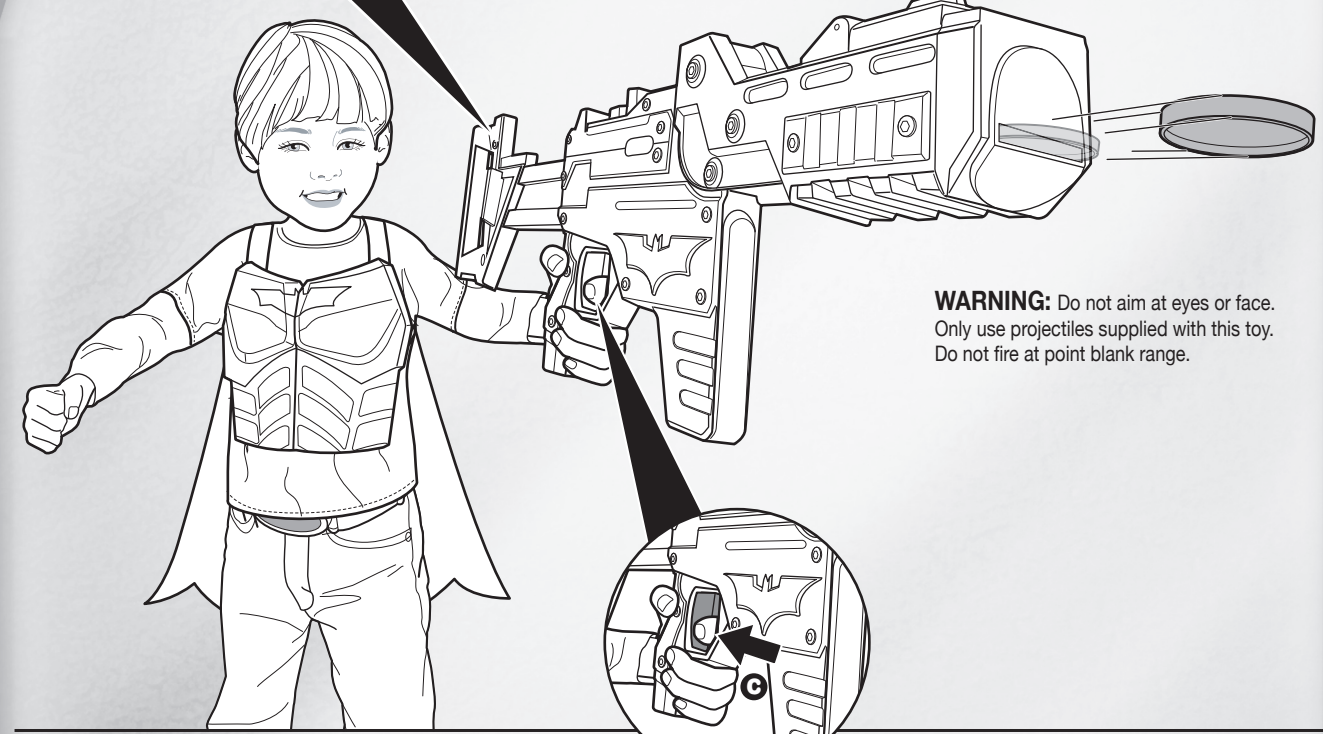
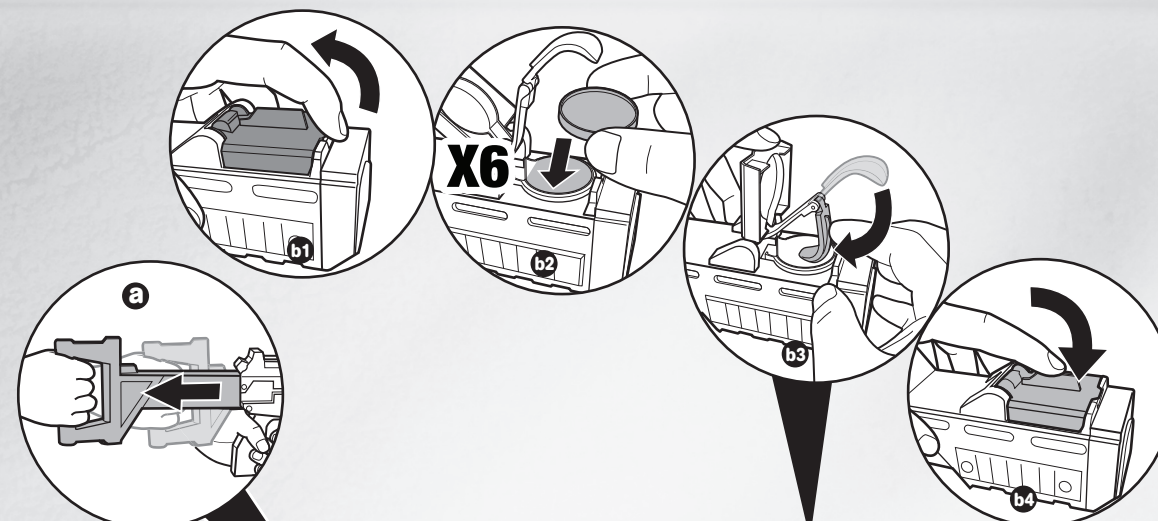
service.mattel.com



INSTRUCTION SHEET SPECIFICATIONS

Toy: _____ BM
 Toy No.: _____ W7210
 Part No.: _____ 0920
 Trim Size: _____ A4
 Folded Size: _____
 Type of Fold: _____
 # colors: _____ 1C+1C
 Colors: _____ Black
 Paper Stock: _____ White Offset
 Paper Weight: _____ 70 lb.
 EDM No.: _____

4



WARNING: Do not aim at eyes or face. Only use projectiles supplied with this toy. Do not fire at point blank range.

RESET

