

FRONT

W8726 2LD IS

COLOR : 4C

BACK

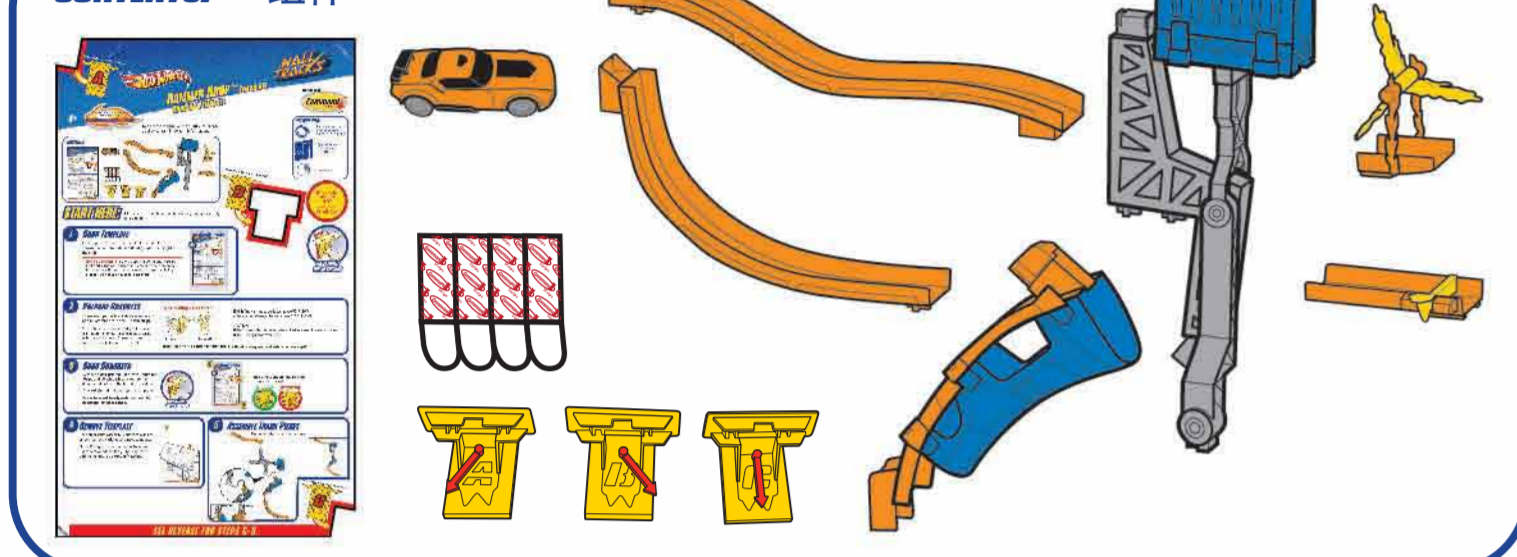
COLOR : 1C

SIZE: W15 X H25 IN

SEE OTHER SIDE FOR STEPS 1-5 • 步骤1-5, 请看背面。

4+

CONTENTS • 组件



START HERE • 开始

Keep these instructions for future reference as they contain important information. 此说明书包含重要信息, 请保留以备日后查看。

Please read all instructions before beginning assembly and set-up. 请在开始安装和设置之前仔细阅读所有说明。

1 HANG TEMPLATE • 粘贴模框

Lie template flat and level against wall and tape as shown. Top of template should align with the height of the child. 如图所示用胶带将模框平整地粘在墙上, 与地板平行。模框顶部应与小孩身高齐平。

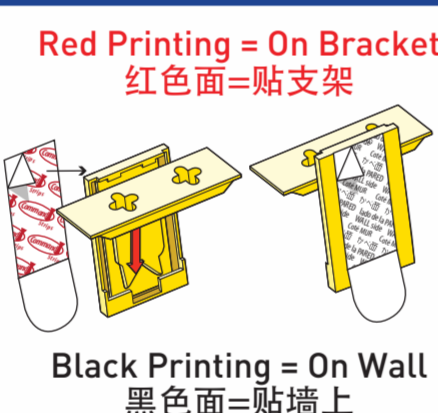
NOTE TO PARENTS: Before applying Command™ Strips make sure the wall surface is clean and dry. If cleaning is necessary 3M recommends using isopropyl rubbing alcohol. Do not use household cleaners. **家长注意事项:** 使用Command胶带前必须确保墙面干燥洁净。如需清洁墙壁, 3M建议使用擦洗用异丙基外用酒精, 切勿使用家用清洁剂。



2 PREPARE BRACKETS 支架安装准备

There are 3 yellow brackets [Marked A - C] and 6 Command™ Strips [3 extra strip]. 本品具有3个标有字母的支架[标记为A - C]和6条Command胶带(其中一条为备用胶带)。

Separate strips. Remove red-printed liner from Command™ Strips and apply to back of brackets as shown. Make sure the strip tab is accessible for future removal. 拆开胶带, 撕下Command胶带上的红色衬纸, 按图示将胶带贴在支架背面。确保留出胶带标签, 以便日后拆卸。



NOTE: Apply strips to surfaces above 50°F (10°C). Adhesive could lose adhesion above 105°F (40°C). 注意: 请在50°F (10°C)以上的环境中用胶带。温度超过105°F (40°C)时, 粘胶剂可能失去粘性。
CAUTION: DO NOT use with wallpaper. May not adhere well to vinyl surfaces. DO NOT hang items over beds. 警告: 切勿将本品粘贴在墙纸上。本品可能无法粘附于乙烯基材料表面。切勿将本品悬挂于床的上方。

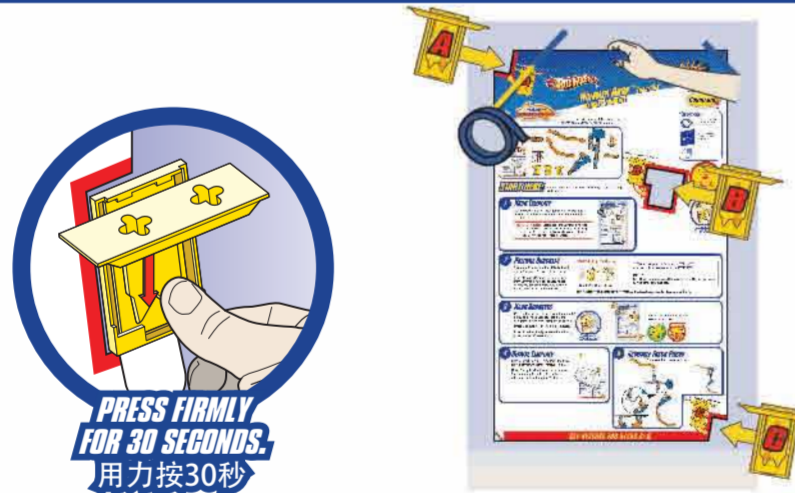
NOTE: DO NOT PULL BRACKET OFF WALL without reading removal instructions in step 8. 注意: 在仔细阅读步骤8的拆卸说明之前, 请勿随意将支架从墙上卸下。

3 HANG BRACKETS • 安装支架

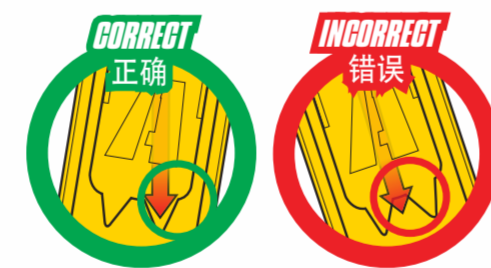
Remove black-printed liner from Command™ Strips and attach each bracket into the designated notch of the template as shown. 撕下Command胶带上的黑色衬纸, 按图示将支架沿着模框上槽口所留出的方框位置摆好。

Bracket should not overlap the template. 支架不得重叠模框。

Press bracket firmly onto wall and hold, pressing for 30 seconds. 将支架紧紧按在墙上, 按压30秒。



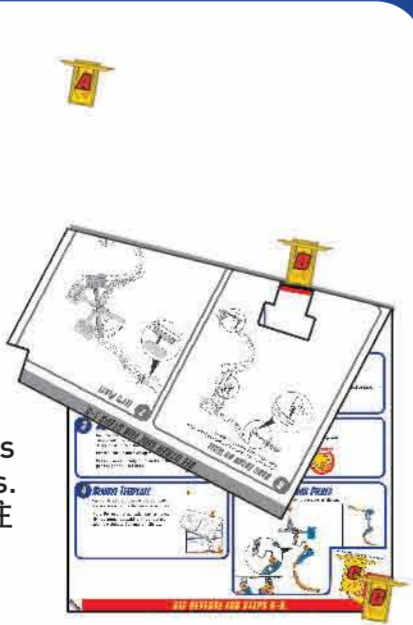
Red arrow should line up with arrow on bracket. 红色箭头应对准支架上的箭头。



4 REMOVE TEMPLATE 撕下模框

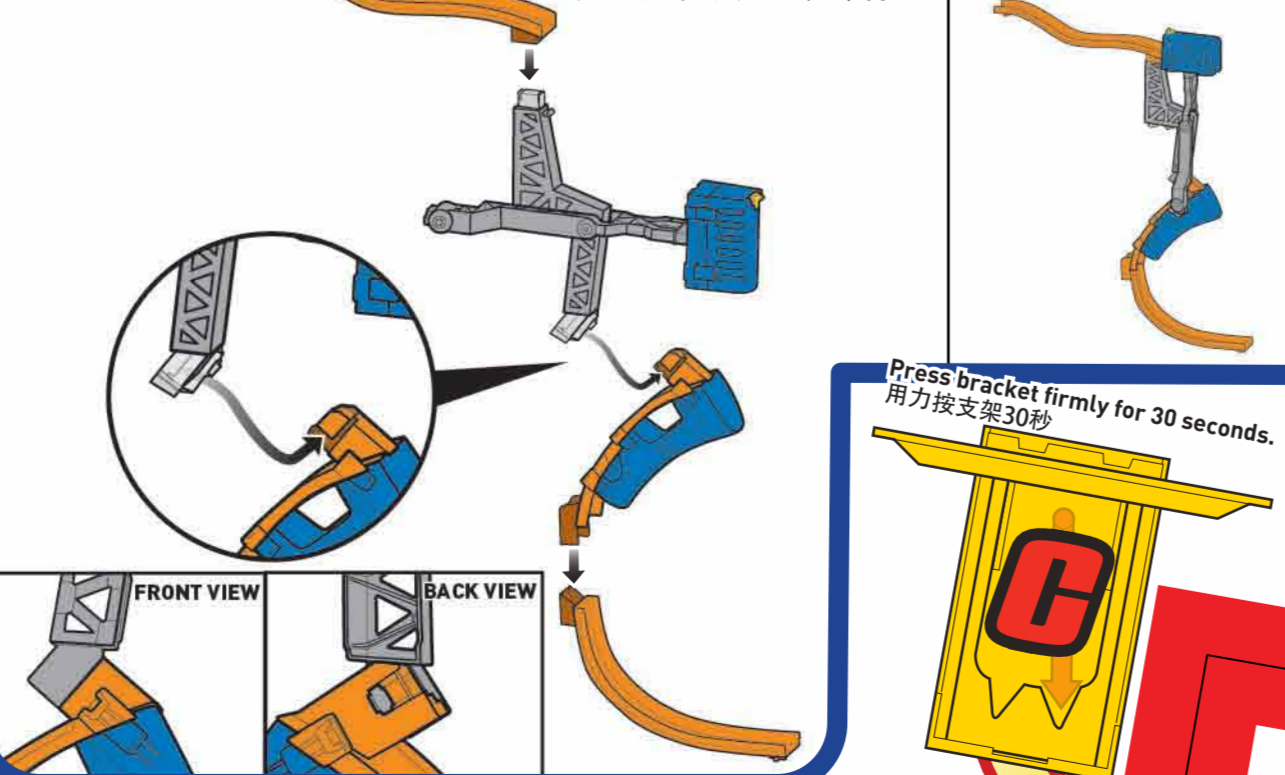
Once all brackets are firmly attached with red arrows correctly oriented, remove template. 当所有支架都粘牢牢固且红色箭头都对准后, 移开模框。

Note: For optimal adhesion performance 3M recommends waiting 1 hour before adding weight to Command™ Strips. 注意: 为获得最佳粘附效果, 3M公司建议等待1小时后再次Command胶带上挂重物。

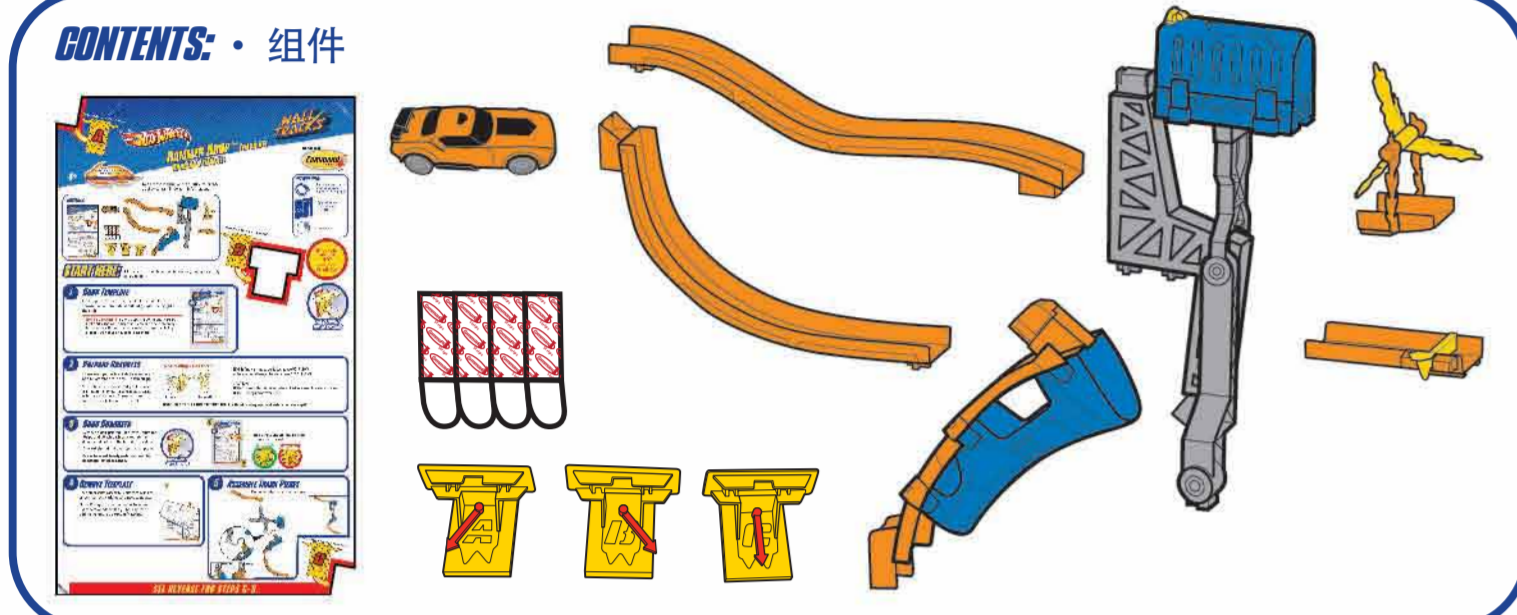


5 ASSEMBLE TRACK PIECES • 组装轨道零件

Pre-assemble pieces as shown. 按照图示预先组装零件。



Press bracket firmly for 30 seconds. 用力按支架30秒。



START HERE • 开始

Keep these instructions for future reference as they contain important information. 此说明书包含重要信息, 请保留以备日后查看。

Please read all instructions before beginning assembly and set-up. 请在开始安装和设置之前仔细阅读所有说明。

1 HANG TEMPLATE • 粘贴模框

Lie template flat and level against wall and tape as shown. Top of template should align with the height of the child. 如图所示用胶带将模框平整地粘在墙上, 与地板平行。模框顶部应与小孩身高齐平。

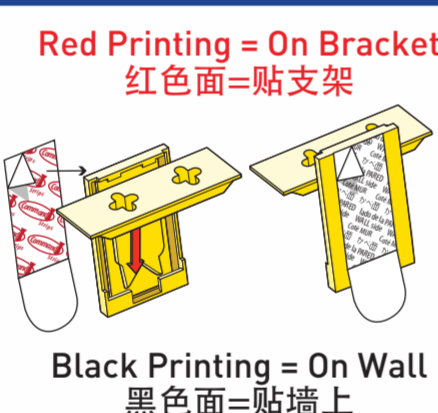
NOTE TO PARENTS: Before applying Command™ Strips make sure the wall surface is clean and dry. If cleaning is necessary 3M recommends using isopropyl rubbing alcohol. Do not use household cleaners. **家长注意事项:** 使用Command胶带前必须确保墙面干燥洁净。如需清洁墙壁, 3M建议使用擦洗用异丙基外用酒精, 切勿使用家用清洁剂。



2 PREPARE BRACKETS 支架安装准备

There are 3 yellow brackets [Marked A - C] and 6 Command™ Strips [3 extra strip]. 本品具有3个标有字母的支架[标记为A - C]和6条Command胶带(其中一条为备用胶带)。

Separate strips. Remove red-printed liner from Command™ Strips and apply to back of brackets as shown. Make sure the strip tab is accessible for future removal. 拆开胶带, 撕下Command胶带上的红色衬纸, 按图示将胶带贴在支架背面。确保留出胶带标签, 以便日后拆卸。



NOTE: Apply strips to surfaces above 50°F (10°C). Adhesive could lose adhesion above 105°F (40°C). 注意: 请在50°F (10°C)以上的环境中用胶带。温度超过105°F (40°C)时, 粘胶剂可能失去粘性。
CAUTION: DO NOT use with wallpaper. May not adhere well to vinyl surfaces. DO NOT hang items over beds. 警告: 切勿将本品粘贴在墙纸上。本品可能无法粘附于乙烯基材料表面。切勿将本品悬挂于床的上方。

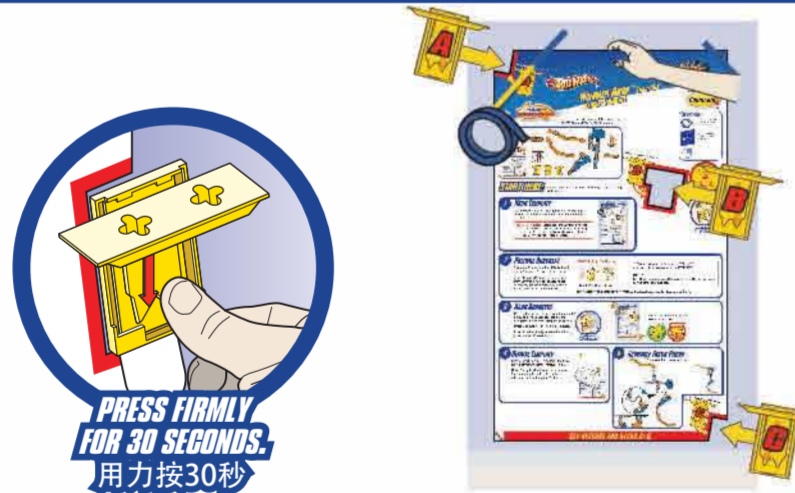
NOTE: DO NOT PULL BRACKET OFF WALL without reading removal instructions in step 8. 注意: 在仔细阅读步骤8的拆卸说明之前, 请勿随意将支架从墙上卸下。

3 HANG BRACKETS • 安装支架

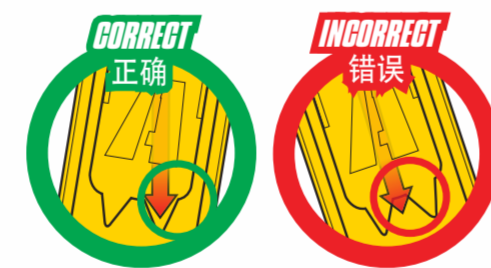
Remove black-printed liner from Command™ Strips and attach each bracket into the designated notch of the template as shown. 撕下Command胶带上的黑色衬纸, 按图示将支架沿着模框上槽口所留出的方框位置摆好。

Bracket should not overlap the template. 支架不得重叠模框。

Press bracket firmly onto wall and hold, pressing for 30 seconds. 将支架紧紧按在墙上, 按压30秒。



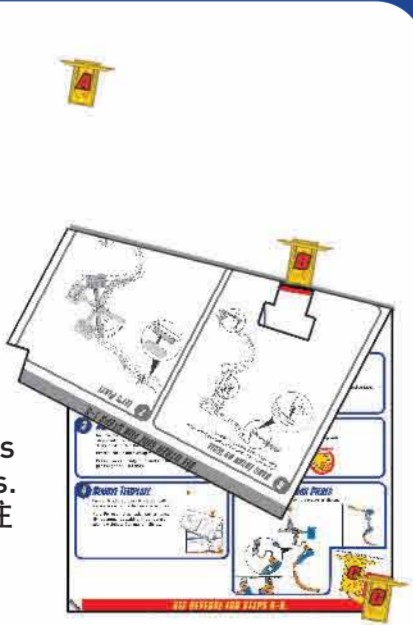
Red arrow should line up with arrow on bracket. 红色箭头应对准支架上的箭头。



4 REMOVE TEMPLATE 撕下模框

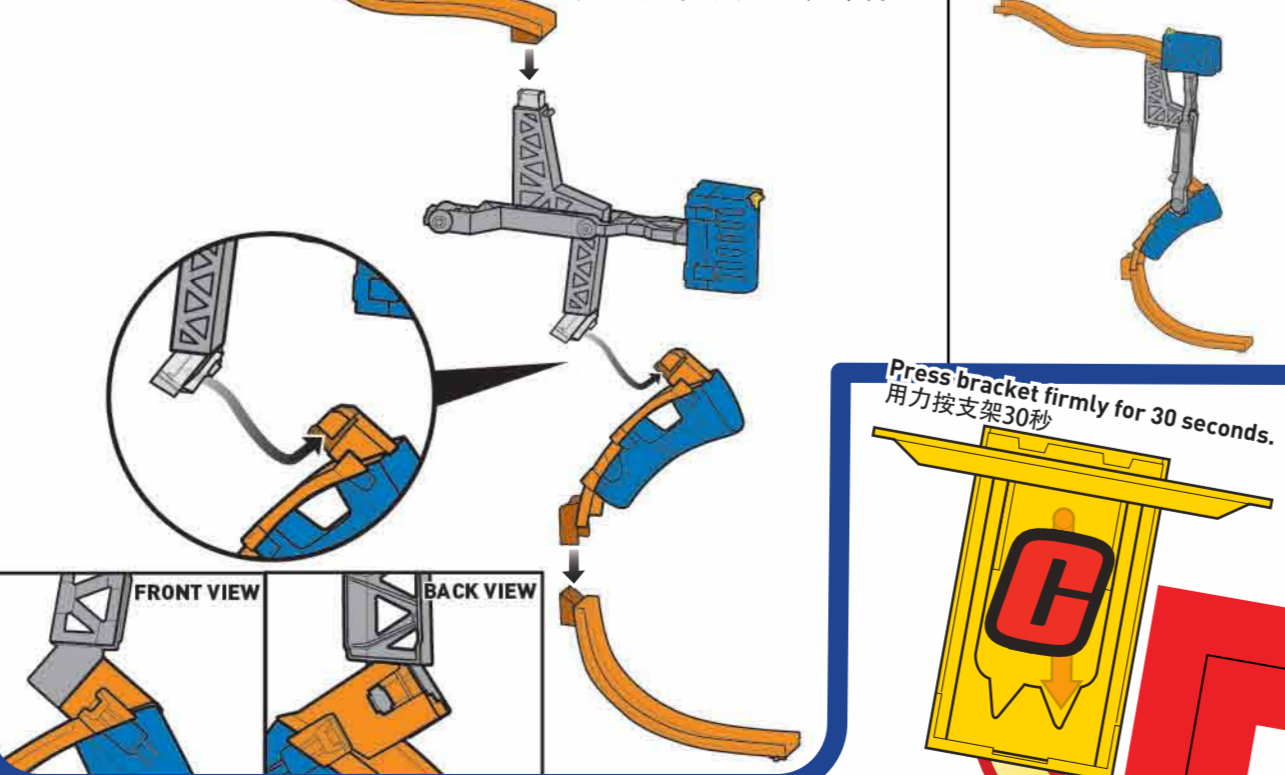
Once all brackets are firmly attached with red arrows correctly oriented, remove template. 当所有支架都粘牢牢固且红色箭头都对准后, 移开模框。

Note: For optimal adhesion performance 3M recommends waiting 1 hour before adding weight to Command™ Strips. 注意: 为获得最佳粘附效果, 3M公司建议等待1小时后再次Command胶带上挂重物。



5 ASSEMBLE TRACK PIECES • 组装轨道零件

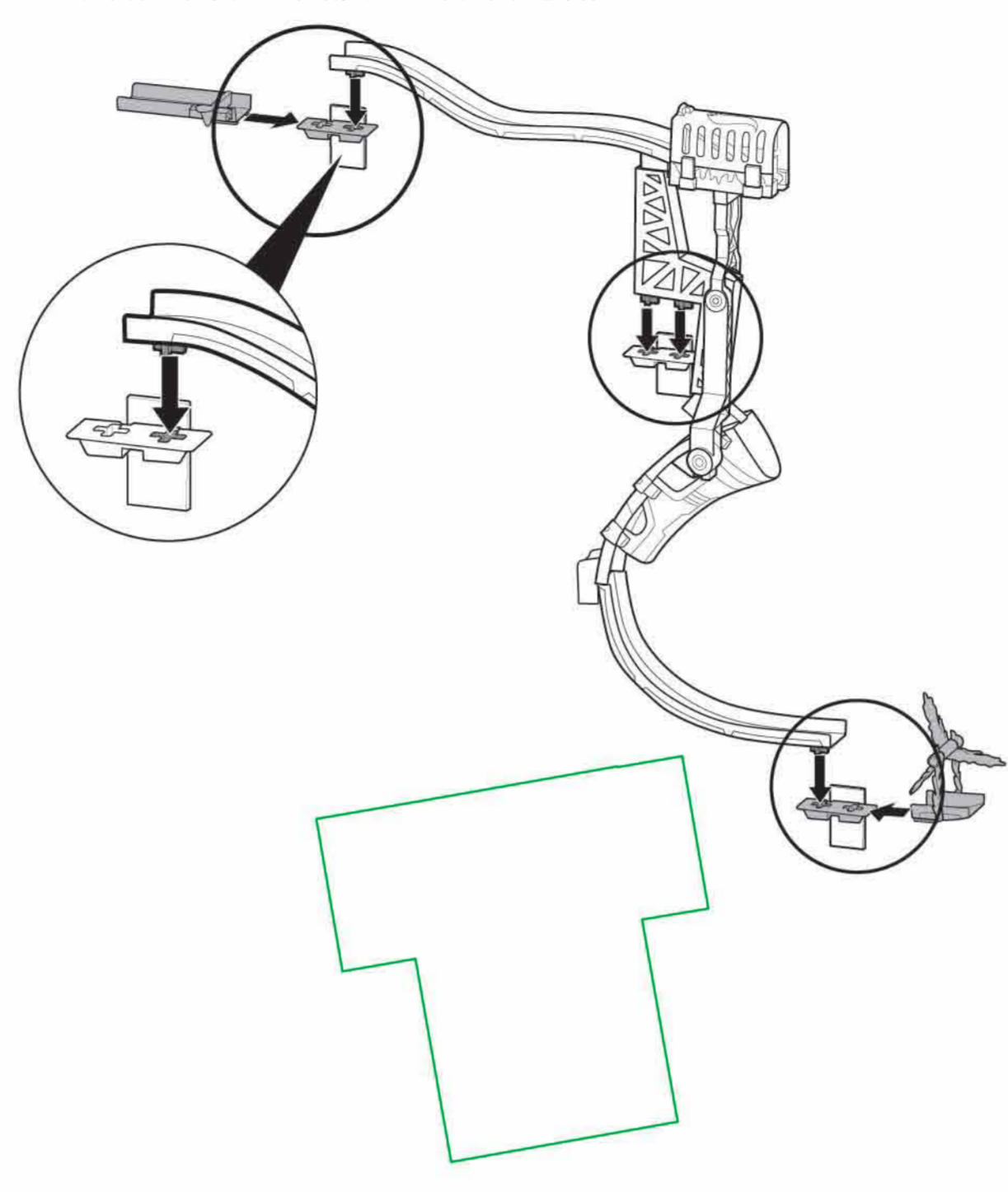
Pre-assemble pieces as shown. 按照图示预先组装零件。



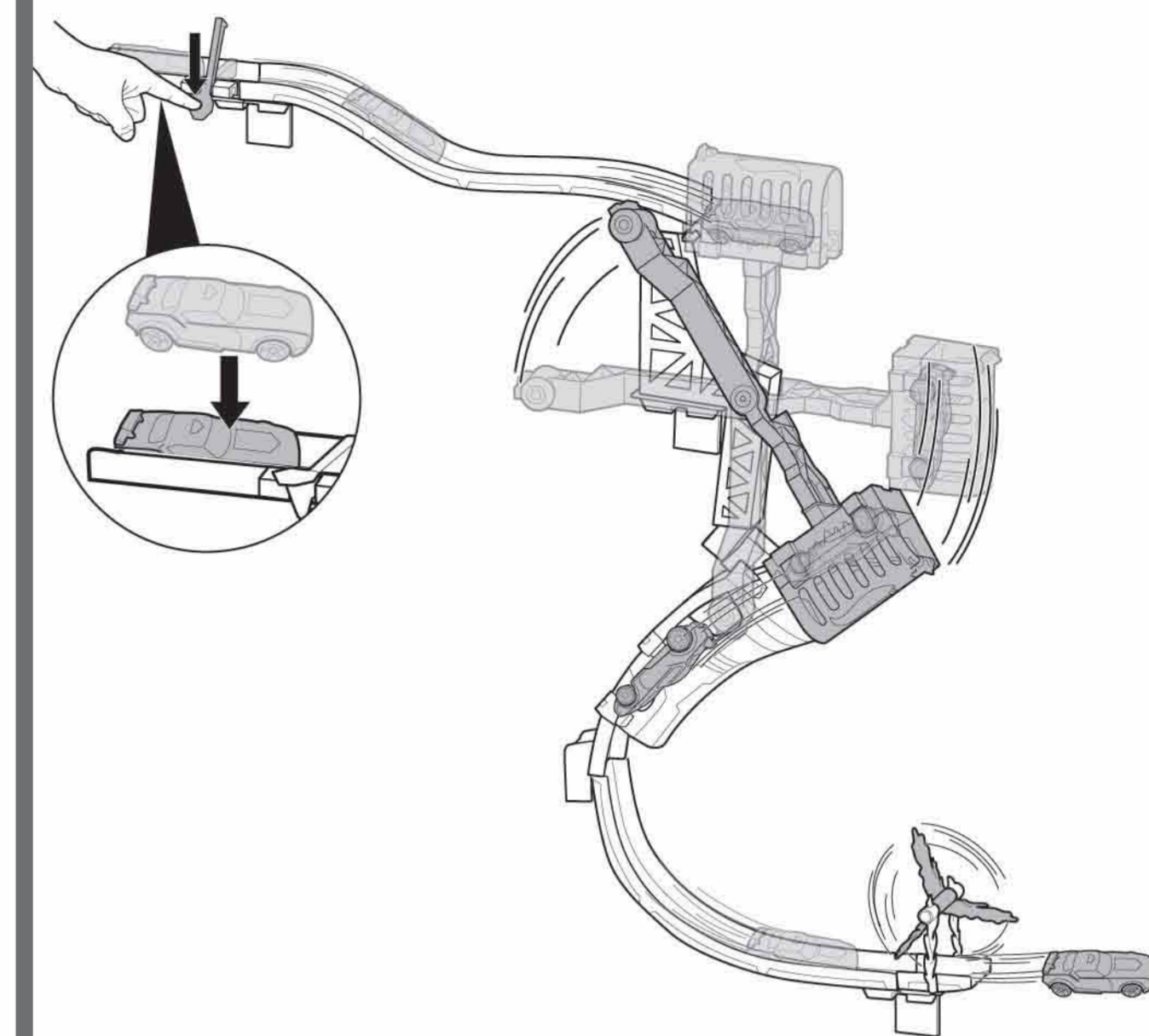
Press bracket firmly for 30 seconds. 用力按支架30秒。

6 HANG TRACK ON WALL 在墙上安装轨道

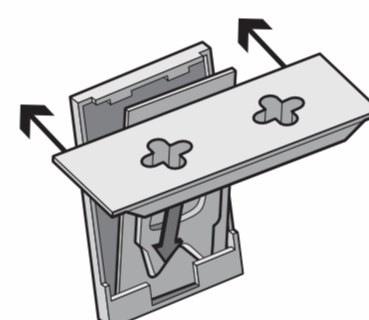
Once brackets are mounted and TEMPLATE IS REMOVED FROM WALL, attach track pieces as shown. 安装好支架并移走模框后, 按照图示安装轨道零件。



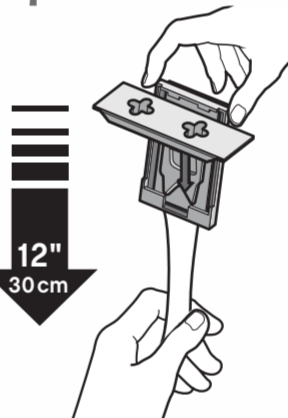
7 LET'S PLAY! 开始玩吧!



8 REATTACHING & REMOVAL • 重粘和拆卸



Mounting brackets are designed to break away from the set without causing surface damage. If mounting plate separates from bracket, snap bracket back into place. 固定用的支架可在不损环境面的情况下被整体拆除。如果支架从它的固定板上脱落, 将支架扣回原位即可。

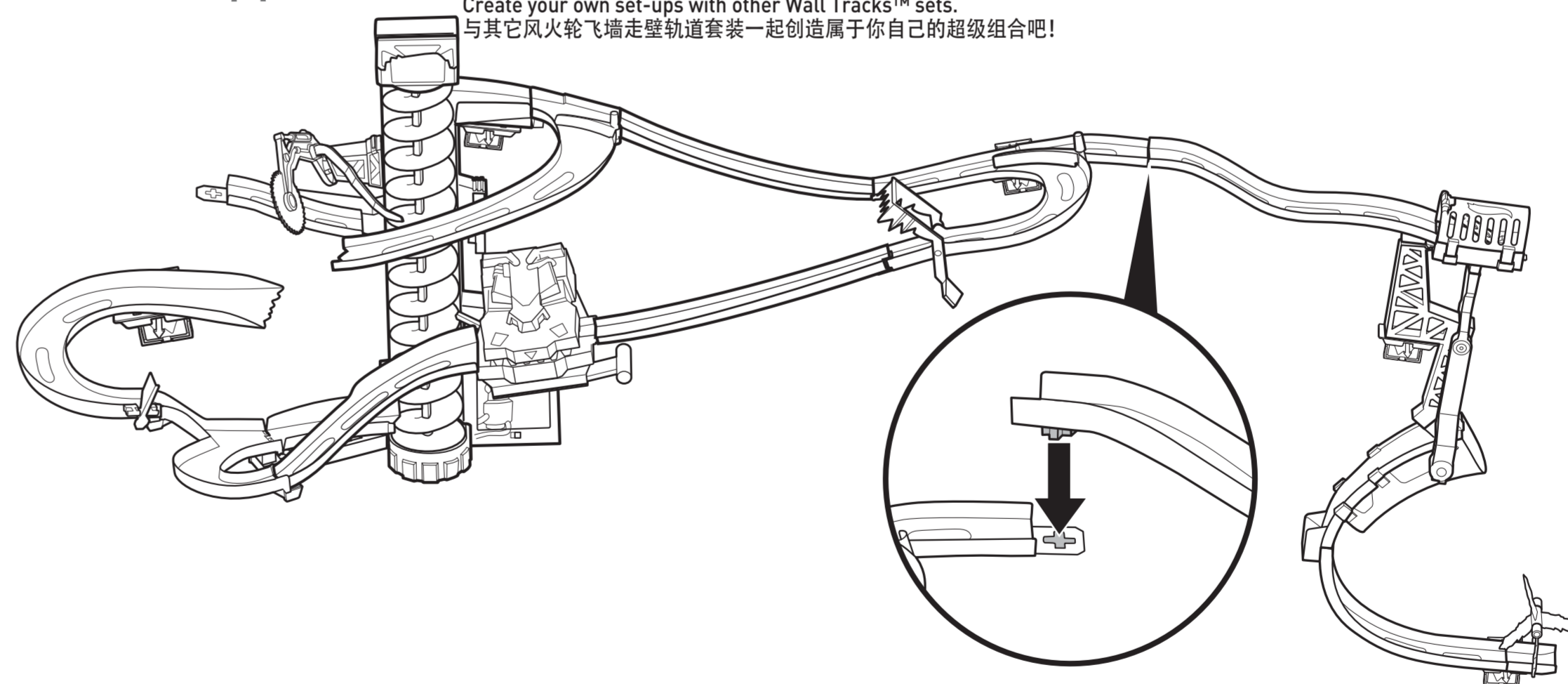


To remove brackets from the wall entirely:
1. NEVER pull strip towards you.
2. Hold bracket gently to prevent it from snapping fingers. DO NOT press against wall.
3. Grab tab on Command™ Strip and SLOWLY STRETCH STRAIGHT DOWN ALONG WALL AT LEAST 12 INCHES until bracket and strip release. 按照以下步骤从墙上彻底拆除支架:
1. 切勿朝你的方向拉胶带。
2. 轻轻握住支架, 以防夹伤手指。切勿将其按在墙壁上。
3. 抓住Command胶带的标签, 慢慢以平行墙壁的方向向下拉至少12英寸, 直到支架和胶带脱离墙面。

Purchase medium Command™ Refill Strips to reapply to your wall. 购买中号的Command补充胶带以重新粘贴支架。

CONNECT • 组合

Create your own set-ups with other Wall Tracks™ sets. 与其它风火轮飞墙走壁轨道套装一起创造属于你的超级组合吧!



Artwork Check Points

- Artwork is prepared in CMYK color mode.
- All images' resolution is not less than 300 dpi.
- Company address, legal and warning statements are up to date.
- Correct LPI size and format, and it's readable by UPC scanner.
- All comments are revised.
- For international version, need to check if English copy can match DOM version, if not, need to double check with Graphic Designer.

Command™ Strips are a product of 3M. For further information visit command.com Command胶带是3M公司的产品。更多信息, 请访问: command.com

NOTE: Apply strips to surfaces above 50°F (10°C). Adhesive could lose adhesion above 105°F (40°C). 注意: 请在50°F (10°C)以上的环境中用胶带。温度超过105°F (40°C)时, 粘胶剂可能失去粘性。

CAUTION: DO NOT use with wallpaper. May not adhere well to vinyl surfaces. DO NOT hang items over beds. 警告: 切勿将本品粘贴在墙纸上。本品可能无法粘附于乙烯基材料表面。切勿将本品悬挂于床上。

3M and Command are trademarks of 3M. © 2011. All Rights Reserved.



MATTEL

©2012 Mattel. All Rights Reserved. Mattel, Inc., 6360 Gilman Avenue, East Aurora, NY 14202, U.S.A. Corporate Relations (1-800-524-8607), Mattel U.K. Ltd., Vauxhall Business Park, Mordenhead SLE 4UB, Hertsfordshire SG12 8JN, U.K. Mattel (China) Co., Ltd., 10001108, South Tower, World Finance Centre, Harbour City, Tsimshatsui, HK. China Distributor: Mattel SEA Pte Ltd, 099332-391, Lot 133, 13th Floor, Menara Lien Hoe, Persiaran Tropika Golf Country Resort, 47410 PJ, Tel: 03-78803817, Fax: 03-78803867, service.mattel.com

W8726-0226

Asst: V1049

SEE REVERSE FOR STEPS 6-8. • 步骤6-8, 请见背面。