

Fisher-Price®

W9635



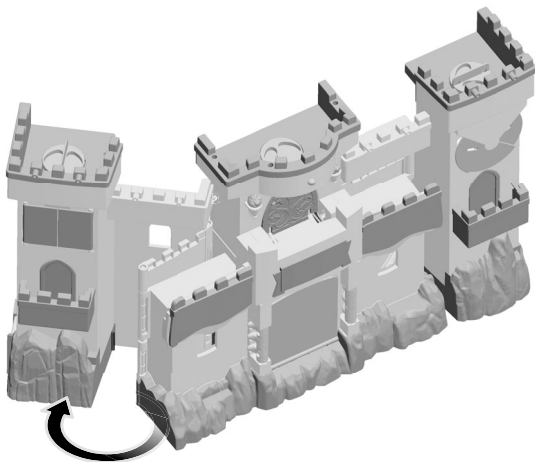
Please keep this instruction sheet for future reference,
as it contains important information.

Requires two “AA” batteries and three LR44 button cell batteries
(batteries included) for operation. The “AA” batteries are for
demonstration purposes only.

Adult assembly is required for battery replacement.
Tool required: Phillips screwdriver (not included).

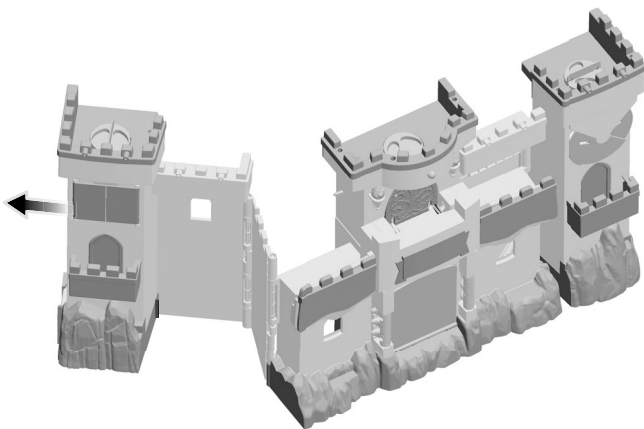
fisher-price.com

Opening the Castle



1

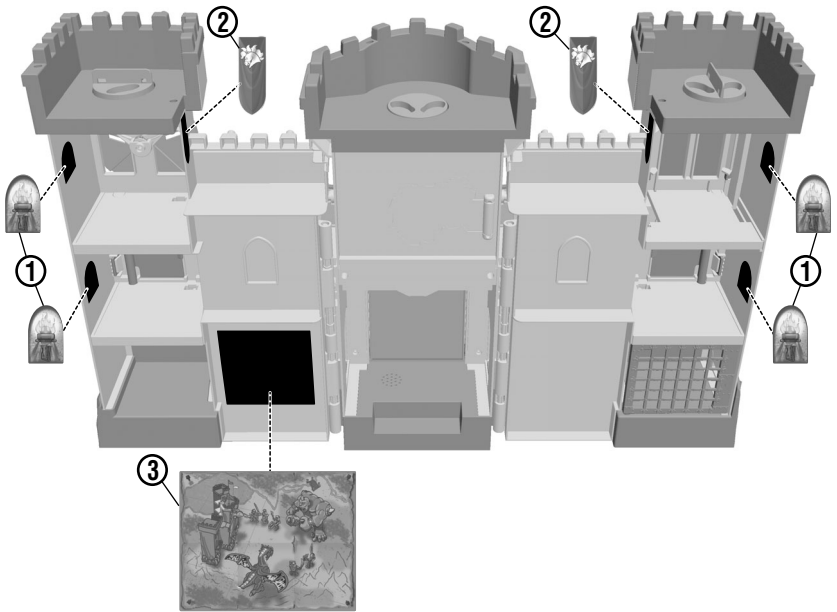
- First, turn a castle side tower back.



2

- Then, slide the castle wall out to unfold.
- Repeat to open the other side of the castle.

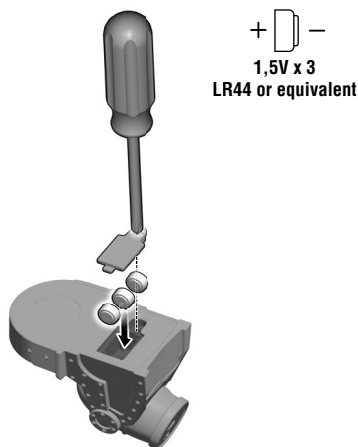
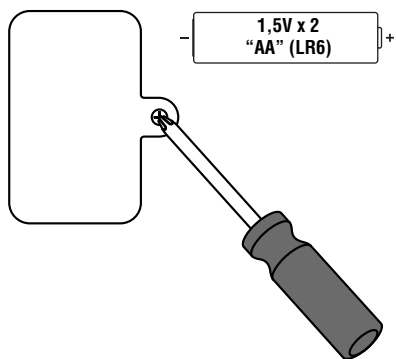
Decoration



-
- Place the labels exactly as shown in the illustrations.
 - For best results, avoid repositioning a label once it has been applied.

Battery Replacement

We recommend the use of **alkaline** batteries for longer battery life.
When sounds/lights become faint or stop, it's time for an adult to change the batteries.



Castle

For best performance, we recommend replacing the batteries that came with the Castle with two, new “AA” (LR6) alkaline batteries.

- Locate the battery compartment door on the bottom of the Castle.
- Loosen the screw in the battery compartment door with a Phillips screwdriver. Remove the door.
- Remove the exhausted batteries and dispose of them properly.
- Insert two, new “AA” (LR6) **alkaline** batteries.
- Replace the battery compartment door and tighten the screw. Do not over-tighten.
- If the Castle begins to operate erratically you may need to reset the electronics. Slide the power switch off and back on.

Cannon

- Locate the battery compartment door on the bottom of the cannon.
- Loosen the screw in the battery compartment door with a Phillips screwdriver and remove the door.
- Remove the exhausted batteries and dispose of them properly.
- Insert three, new button cell (LR44) **alkaline** batteries.
- Replace the battery compartment door and tighten the screw. Do not over-tighten.
- If the cannon begins to operate erratically, you may need to reset the electronics. Remove the batteries and reinstall them.

Battery Safety Information

In exceptional circumstances, batteries may leak fluids that can cause a chemical burn injury or ruin your product. To avoid battery leakage:

- Do not mix old and new batteries or batteries of different types: alkaline, standard (carbon-zinc) or rechargeable (nickel-cadmium).
- Insert batteries as indicated inside the battery compartment.
- Remove batteries during long periods of non-use. Always remove exhausted batteries from the product. Dispose of batteries safely. Do not dispose of this product in a fire. The batteries inside may explode or leak.
- Never short-circuit the battery terminals.
- Use only batteries of the same or equivalent type, as recommended.
- Do not charge non-rechargeable batteries.
- Remove rechargeable batteries from the product before charging.
- If removable, rechargeable batteries are used, they are only to be charged under adult supervision.

Care

- Wipe this toy with a clean damp cloth. Do not immerse.
- This toy has no consumer serviceable parts. Do not take apart.



- Protect the environment by not disposing of this product with household waste (2002/96/EC). Check your local authority for recycling advice and facilities.

ICES-003

- This Class B digital apparatus complies with Canadian ICES-003.
- Operation is subject to the following two conditions: (1) this device may not cause harmful interference and (2) this device must accept any interference received, including interference that may cause undesired operation.

NMB-003

- Cet appareil numérique de la classe B est conforme à la norme NMB-003 du Canada.
- L'utilisation de ce dispositif est autorisée seulement aux conditions suivantes : (1) il ne doit pas produire de brouillage et (2) l'utilisateur du dispositif doit être prêt à accepter tout brouillage radioélectrique reçu, même si ce brouillage est susceptible de compromettre le fonctionnement du dispositif.



CONSUMER ASSISTANCE

1-800-432-5437 (US & Canada)

1300 135 312 (Australia)

 service.fisher-price.com

Fisher-Price, Inc., 636 Girard Avenue, East Aurora, NY 14052.

Hearing-impaired consumers: 1-800-382-7470.

Outside the United States:

Canada: Mattel Canada Inc., 6155 Freemont Blvd.,
Mississauga, Ontario L5R 3W2; www.service.mattel.com.

Great Britain: Mattel UK Ltd, Vanwall Business Park,
Maidenhead SL6 4UB. Helpline: 01628 500303.
www.service.mattel.com/uk

Mattel Europa B.V., Gondel 1, 1186MJ Amstelveen, Nederland.

Australia: Mattel Australia Pty. Ltd., 658 Church Street,
Locked Bag #870, Richmond, Victoria 3121 Australia.

New Zealand: 16-18 William Pickering Drive,
Albany 1331, Auckland.

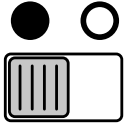
FCC Statement (United States Only)

This equipment has been tested and found to comply with the limits for a Class B digital device, pursuant to Part 15 of the FCC Rules. These limits are designed to provide reasonable protection against harmful interference in a residential installation. This equipment generates, uses and can radiate radio frequency energy and, if not installed and used in accordance with the instructions, may cause harmful interference to radio communications. However, there is no guarantee that interference will not occur in a particular installation. If this equipment does cause harmful interference to radio or television reception, which can be determined by turning the equipment off and on, the user is encouraged to try to correct the interference by one or more of the following measures:

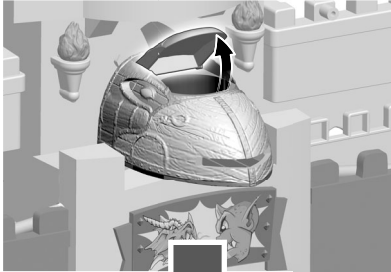
- Reorient or relocate the receiving antenna.
- Increase the separation between the equipment and receiver.
- Consult the dealer or an experienced radio/TV technician for help.

Note: Changes or modifications not expressly approved by the manufacturer responsible for compliance could void the user's authority to operate the equipment.

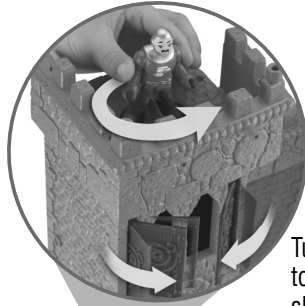
This device complies with Part 15 of the FCC Rules. Operation is subject to the following two conditions: (1) this device may not cause harmful interference and (2) this device must accept any interference received, including interference that may cause undesired operation.



- Slide the power switch on the bottom of the Castle ON ● or OFF ○.



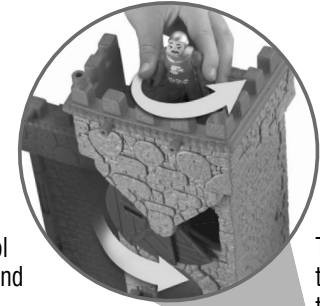
- Lift the top of the eagle's head to load disks.
- Press the button on the eagle's head to launch disks!
- Do not aim at eyes or face. Only use projectiles supplied with this toy. Do not fire at point blank range.



Turn a figure to close the shutters!



Turn a figure for cool sounds and lights, and reveal the Eagle!



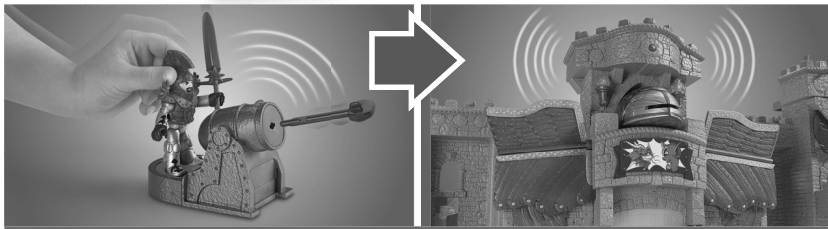
Turn a figure to barricade the window!



Open and close the drawbridge for sounds.

B-BOOOM!

The Castle recognizes the cannon and responds!
Additional accessories sold separately and subject to availability.

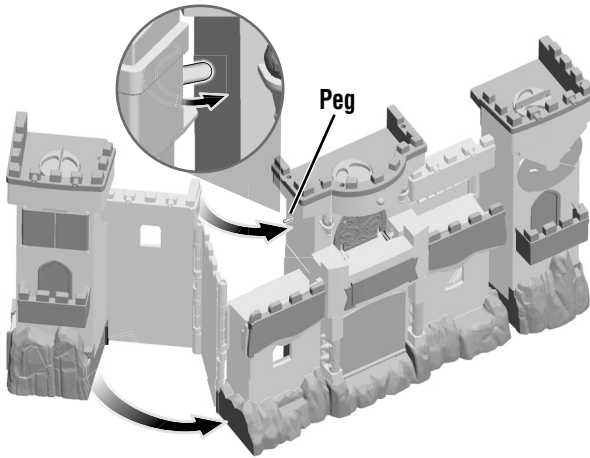


- Place the cannon near the Castle.
- Fit a figure on the cannon platform and press down to fire the cannon. Listen to the Castle respond!
- Do not aim at eyes or face. Only use projectiles supplied with this toy. Do not fire at point blank range.
- After about five minutes of no activity, the Castle will go into “sleep” mode. To wake up the Castle, simply open the drawbridge, turn a figure to reveal the launcher or press the button on the launcher.

Hints:

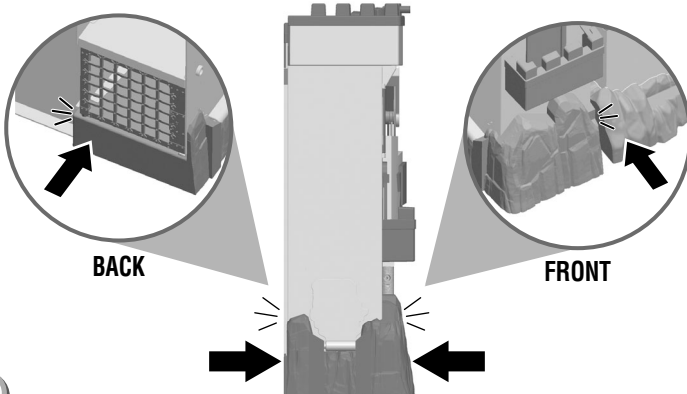
- *The maximum response range between the Castle and the cannon is 12 feet (3,7 m).*
- *Bright sunlight or fluorescent lights may affect the response range of the Castle. Try dimming the light in the room you are playing in.*
- *Make sure you have a clear path between the Castle and the cannon.*

Closing the Castle



1

- Push one of the side towers toward the center of the Castle.
- Make sure the Castle wall is in front of the peg, as shown.



2

- Push the front and back of the Castle together to “snap” in place.
- Repeat to close the other side of the Castle.