



Please keep this instruction sheet for future reference, as it contains important information.

Product features and decorations may vary from the photograph.

Adult assembly is required. Tools required for assembly:

Phillips Screwdriver, Hammer and Scrap Block of Wood (not included).

Requires three "AA" batteries (included).

Age: 2-6 years.

Weight limit: 60 lbs (27 kg).

Choose areas for riding that are free of obstacles.

Learn to stop safely.

Use with caution as this product requires skill to operate safely to avoid falls, collisions, and injuries to yourself (the rider) and others.

**IMPORTANT!** It is good practice to start training children very young regarding the importance of helmet use. When children are older and riding bicycles and faster vehicles, it is important that they use a helmet each and every time they ride. For this reason, even while riding a tricycle, it is a good idea to familiarize your child with helmet use, so that it becomes a habit for life. Choose a helmet that complies with requirements of the applicable certifying agency for bicycle helmets.

# Consumer Information

## WARNING

### TO AVOID SERIOUS INJURY:

- Continuous adult supervision is required.
- Never use near cars and other motor vehicles, near streets, steps, sloped driveways, hills, roadways, alleys, swimming pools or other bodies of water.
- Always wear shoes.
- Never allow more than one rider.

- Please save all packaging material until assembly is complete to ensure that no parts are discarded.
- Please wipe each part with a clean, dry cloth before assembly.
- Some parts shown are assembled to both sides of the trike.
- Tighten assembled screws with a Phillips screwdriver. Do not over-tighten the screws.
- Parts not shown: labels and assembly tool.

### FASTENERS SHOWN ACTUAL SIZE



#8 x 3/4" (1,9 cm) Screw – 4



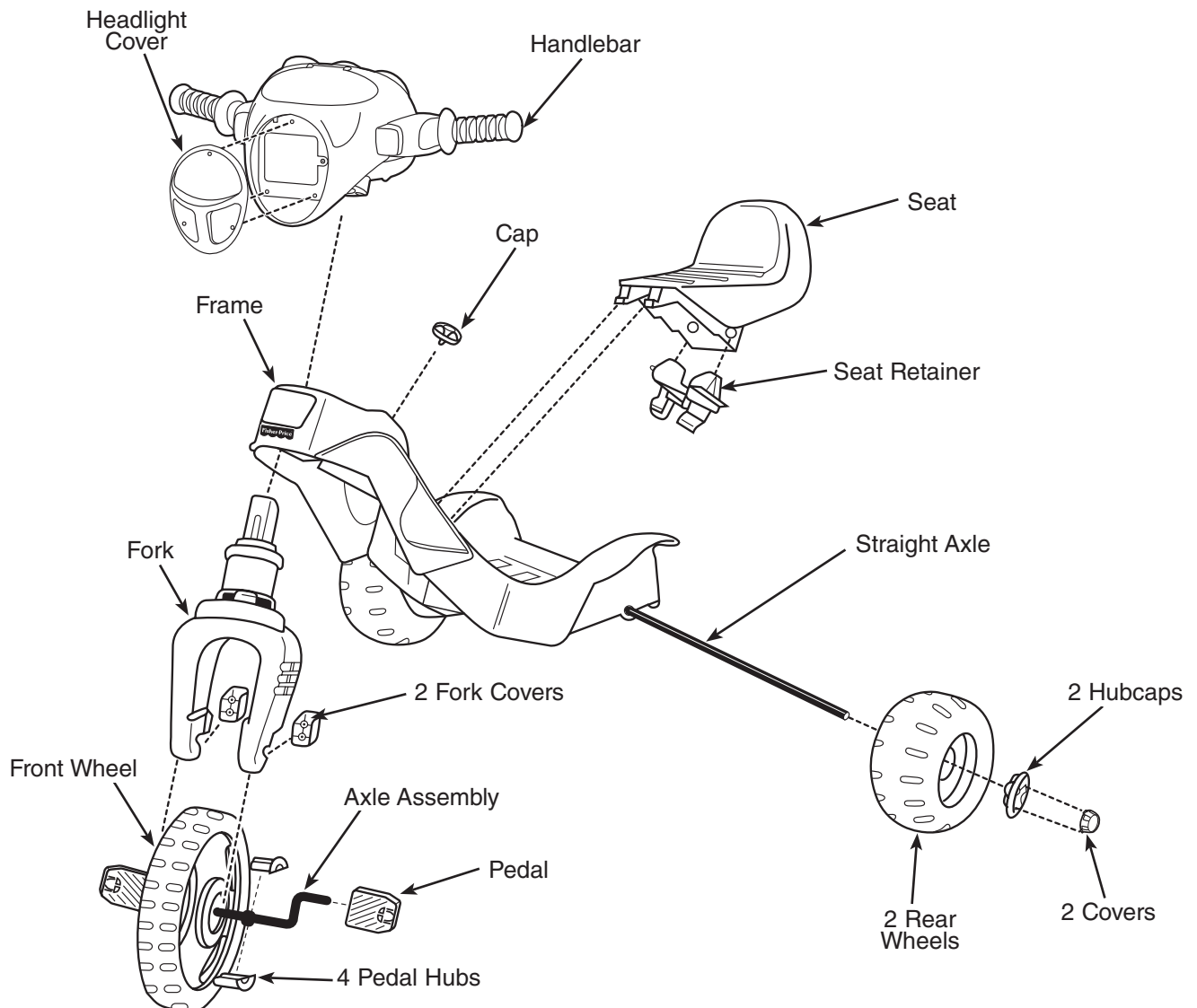
#6 x 1/2" (1,3 cm) Screw – 3



Cap Nut – 1



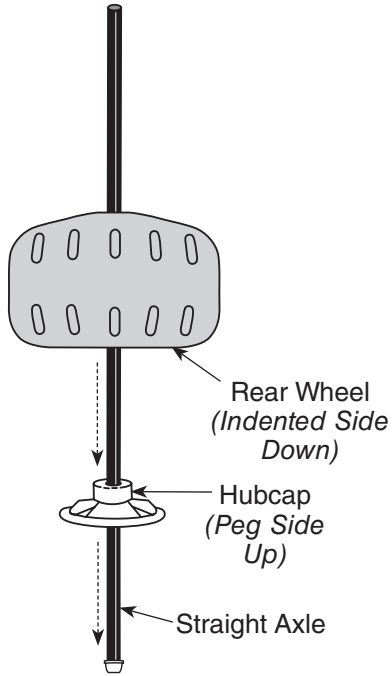
#8 x 3" (7,6 cm) Screw – 1



# Assembly

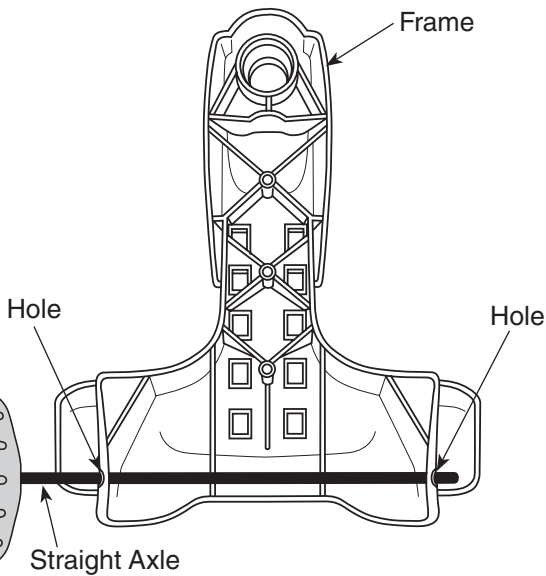
## CAUTION

This product contains small parts in an unassembled state. Adult assembly is required.



1

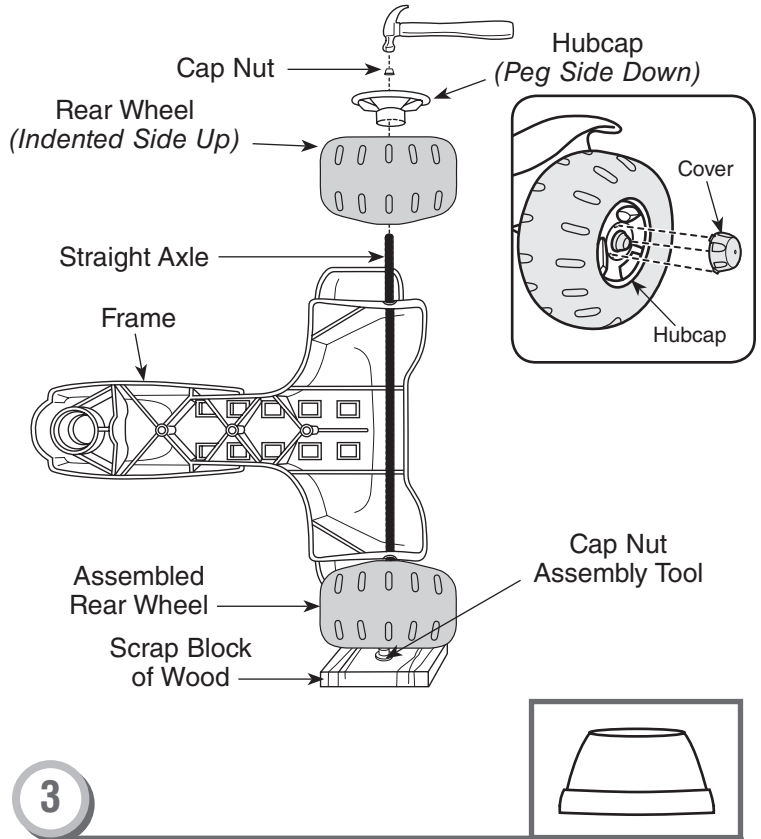
- Slide a hubcap (*peg side up*) onto the straight axle.
- Slide a rear wheel (*indented side down*) onto the straight axle.



2

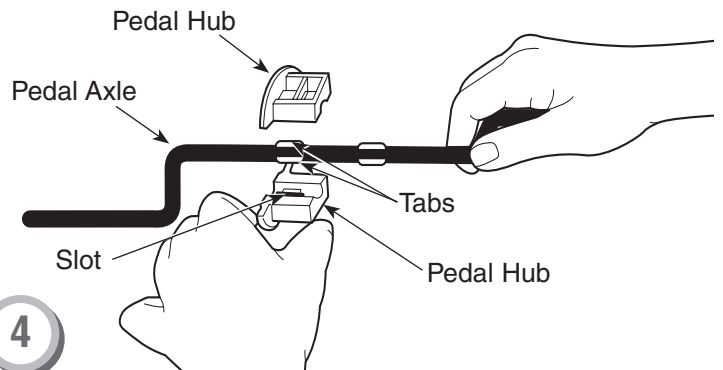
BOTTOM VIEW

- Turn the frame upside down.
- Insert the straight axle through the holes in the rear of the frame.



3

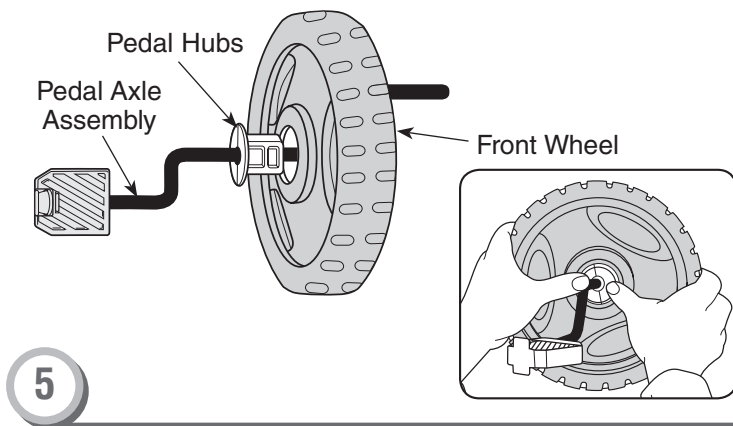
- Turn the frame on its side with the exposed end of the straight axle up.
- Place the cap nut assembly tool under the assembled rear wheel and onto the cap nut.
- Slide a rear wheel (*indented side up*) onto the end of the straight axle.
- Slide a hubcap (*peg side down*) onto the straight axle.
- Place a cap nut on the end of the straight axle. Tap the cap nut with a hammer. **Gently pull the rear wheel up to be sure the cap nut is securely attached to the straight axle.**
- Insert one of the tabs on a cover into a slot in the hubcap. Push to snap the cover into place. Repeat this procedure to attach the other cover to the other hubcap.



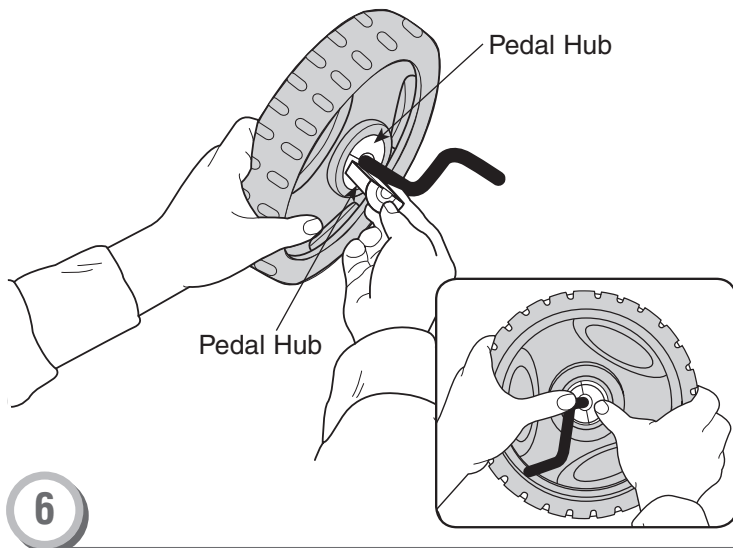
4

- Fit two pedal hubs onto the pedal axle tabs. Make sure the tabs fit into the slot in each pedal hub.

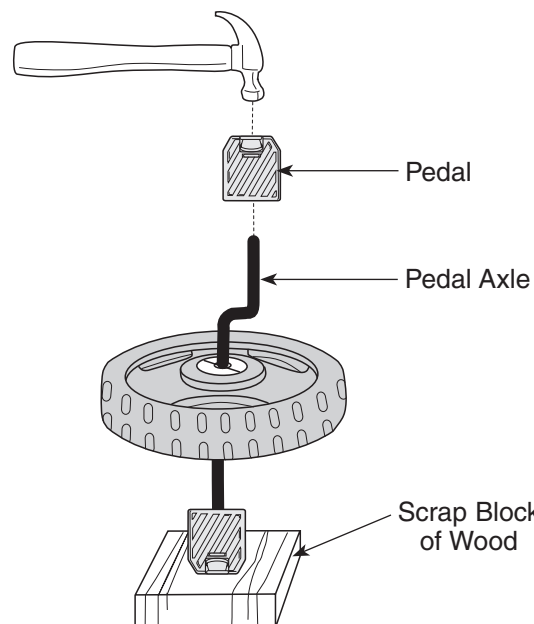
# Assembly



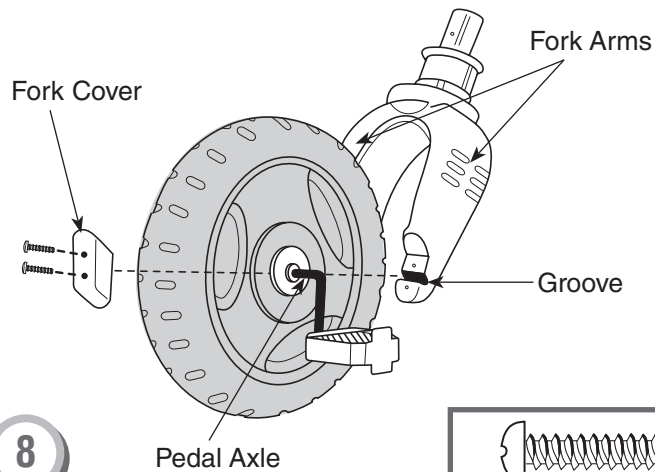
- 5**
- While holding the pedal hubs on the pedal axle assembly, insert the pedal axle through the hole in the center of the front wheel.
  - Push the pedal hubs into the center of the front wheel until they are flush with the surface of the front wheel.



- 6**
- Turn the front wheel assembly over.
  - Insert the remaining pedal hubs on top of and below the pedal axle and into the hole in the center of the front wheel.
  - Push the pedal hubs into the center of the front wheel until they are flush with the surface of the front wheel.

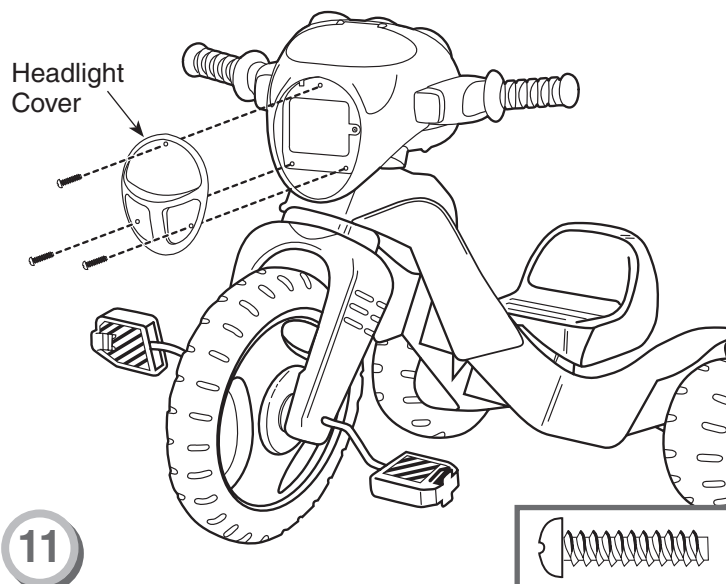
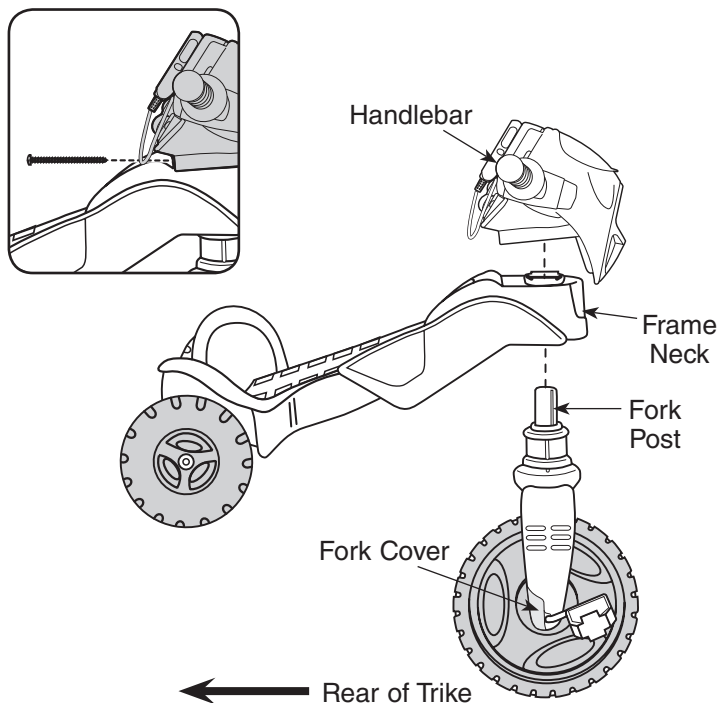


- 7**
- Fit the pedal on the pedal axle. Tap the pedal with a hammer until it is secure.
  - Pull the pedal up to be sure it is secure. If you can remove it, you have not secured it properly. Tap it with the hammer again.



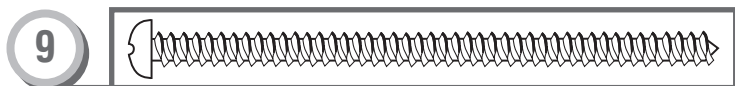
- 8**
- Place the front wheel assembly between the fork arms. Make sure the pedal axle fits into the groove at the bottom of each fork arm.
  - Place a fork cover over the pedal axle on one fork arm.
  - Insert two #8 x 3/4" (1,9 cm) screws into the fork cover and tighten.
  - Repeat this procedure to attach the other fork cover to the other fork arm.

# Assembly



11

- Fit the the headlight cover onto the front of the handlebar.
- Insert three #6 x 1/2" (1,3 cm) screws into the headlight cover. Tighten the screws.

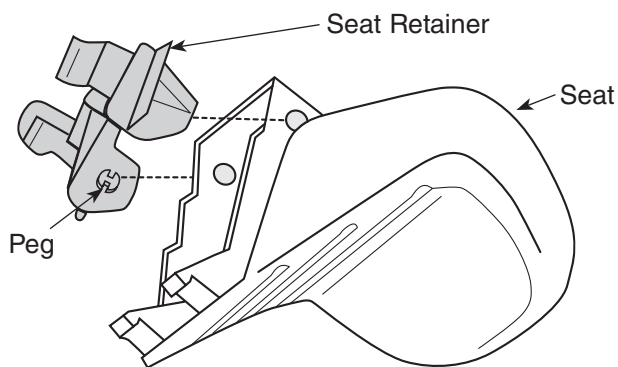


9

- Insert the fork post up through the hole in the neck of the frame. **Make sure the fork is positioned so that the fork covers face the rear wheels.**
- Place the handlebar onto the fork post and push it down onto the frame. Make sure the handlebar is positioned so that the screw hole faces the rear wheels and aligns with the screw hole in the fork post.

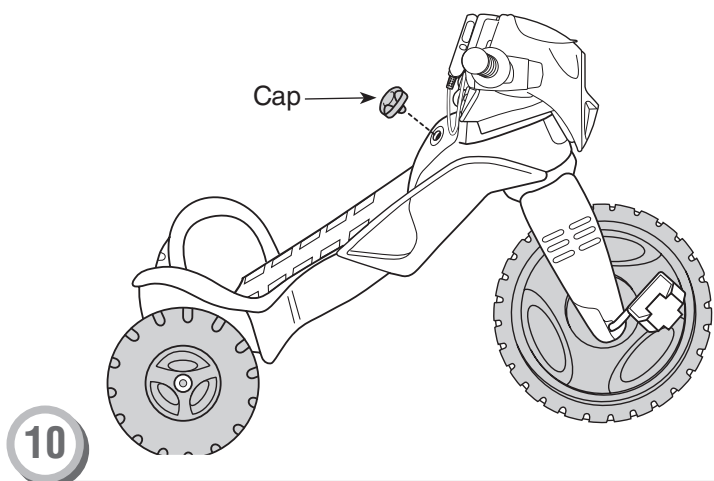
**Hint:** You may need to rotate the handlebar to align the holes.

- Insert the #8 x 3" (7,6 cm) screw through the hole in the handlebar and into the fork post so that part of the screw (about 3/4" - 1,9 cm) is still visible. Tighten the screw.



12

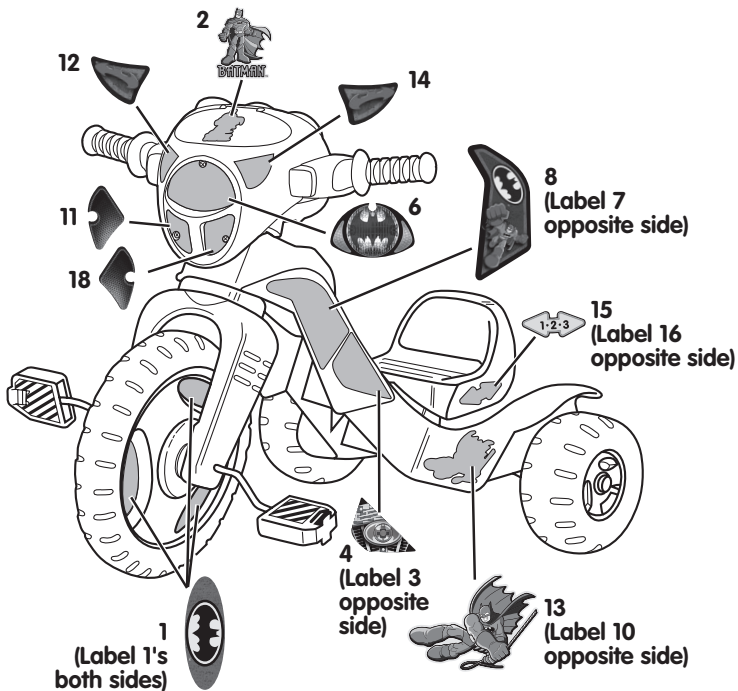
- Position the seat upside down.
- Fit the small pegs on the seat retainer into the holes in the seat.



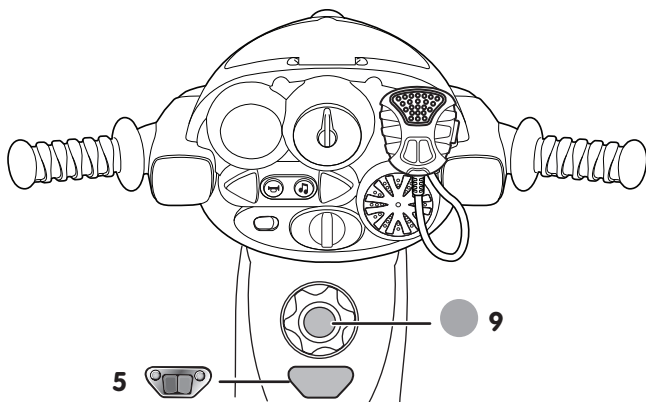
10

- Insert and "snap" the cap into the hole in the frame.

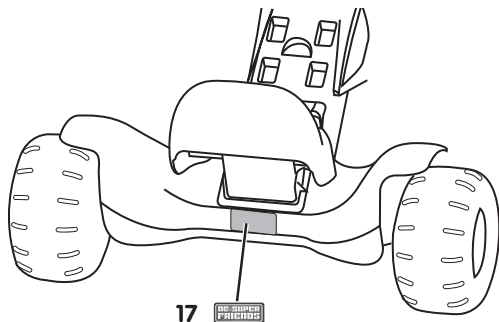
## Label Decoration



SIDE VIEW



DASH VIEW

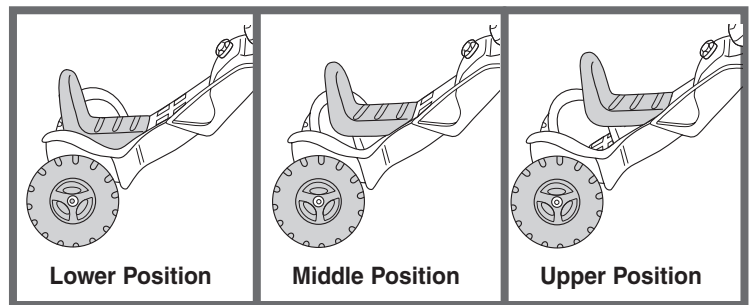
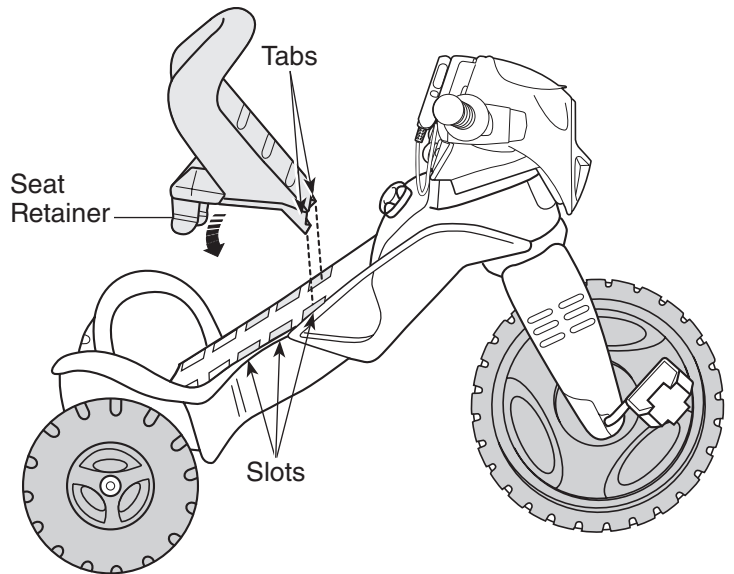


BACK VIEW

- Make sure the areas where the labels will be applied are clean and dry. Wipe your vehicle with a clean, soft, dry cloth to remove any dust or oils.
- For best results, avoid applying a label more than once.
- Apply the labels as shown in the illustration above.
- After applying the label, rub the label firmly with a cloth to make sure the label is adhered to your vehicle.

## Attaching the Seat

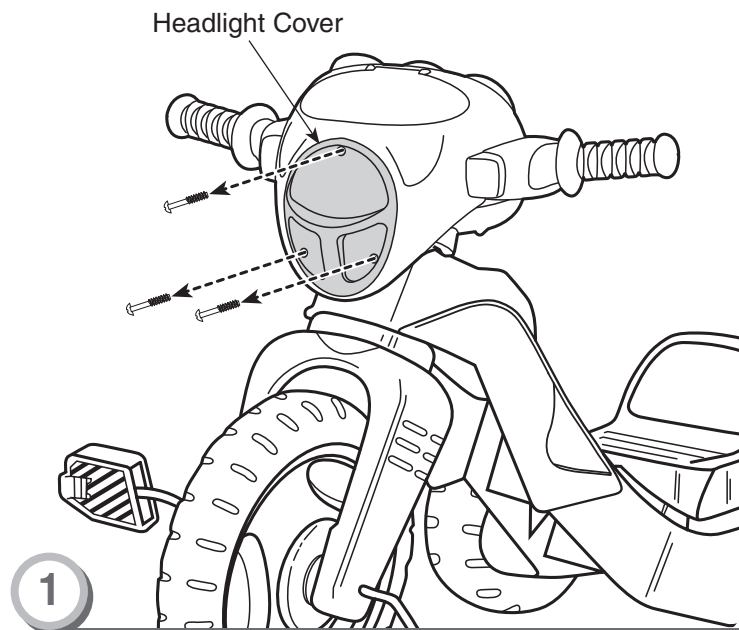
**Hint:** The seat can be attached to the frame in any of three positions, depending on the size of your child. Check your child's fit on the trike by observing the seat to pedal distance, as it is being ridden. If the pedals seem too far away or too close for your child, move the seat up or down.



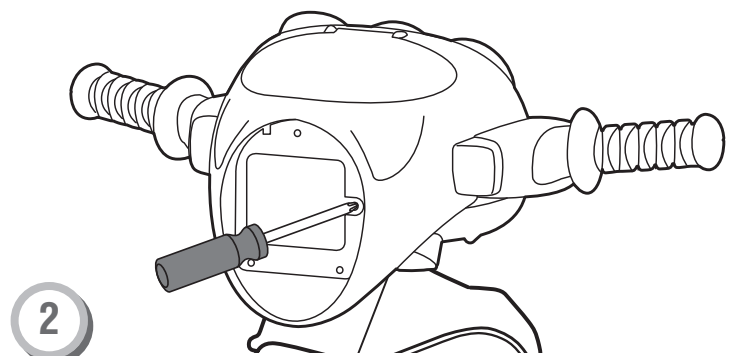
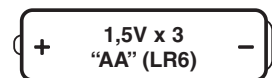
- At an angle, insert the tabs on the seat into any of the top three sets of slots for the lower, middle or upper position.
- Lower the seat so that the seat retainer inserts and snaps into the slots in the frame.
- Pull up on the seat to be sure it is secure.

## Battery Replacement

**Note:** For best performance, we recommend replacing the batteries that came with this trike with three, new "AA" (LR6) **alkaline** batteries.



- Loosen and remove the screws from the headlight cover. Remove the headlight cover.



- Loosen the screw in the battery compartment door. Open the battery compartment door.
- Insert three "AA" (LR6) **alkaline** batteries.
- Close the battery compartment door and tighten the screw.
- Replace the headlight cover. Replace the screws and tighten.
- When sound or lights become faint or stop, it's time for an adult to replace the batteries. We recommend the use of alkaline batteries for longer battery life.
- If this product begins to operate erratically, you may need to reset the electronics. Slide the power switch off and then back on.

- Protect the environment by not disposing of this product with household waste (2002/96/EC). Check your local authority for recycling advice and facilities.

## Battery Safety Information

In exceptional circumstances, batteries may leak fluids that can cause a chemical burn injury or ruin your product. To avoid battery leakage:

- Do not mix old and new batteries or batteries of different types: alkaline, standard (carbon-zinc) or rechargeable (nickel-cadmium).
- Insert batteries as indicated inside the battery compartment.
- Remove batteries during long periods of non-use. Always remove exhausted batteries from the product. Dispose of batteries safely. Do not dispose of this product in a fire. The batteries inside may explode or leak.
- Never short-circuit the battery terminals.
- Use only batteries of the same or equivalent type, as recommended.
- Do not charge non-rechargeable batteries.
- Remove rechargeable batteries from the product before charging.
- If removable, rechargeable batteries are used, they are only to be charged under adult supervision.

## FCC Statement

### (United States Only)

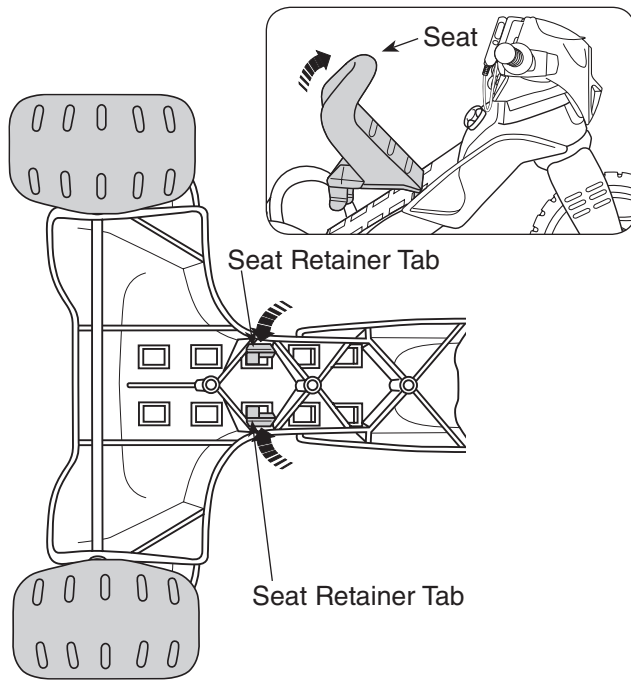
This equipment has been tested and found to comply with the limits for a Class B digital device, pursuant to Part 15 of the FCC Rules. These limits are designed to provide reasonable protection against harmful interference in a residential installation. This equipment generates, uses and can radiate radio frequency energy and, if not installed and used in accordance with the instructions, may cause harmful interference to radio communications. However, there is no guarantee that interference will not occur in a particular installation. If this equipment does cause harmful interference to radio or television reception, which can be determined by turning the equipment off and on, the user is encouraged to try to correct the interference by one or more of the following measures:

- Reorient or relocate the receiving antenna.
- Increase the separation between the equipment and receiver.
- Consult the dealer or an experienced radio/TV technician for help.

Note: Changes or modifications not expressly approved by the manufacturer responsible for compliance could void the user's authority to operate the equipment.

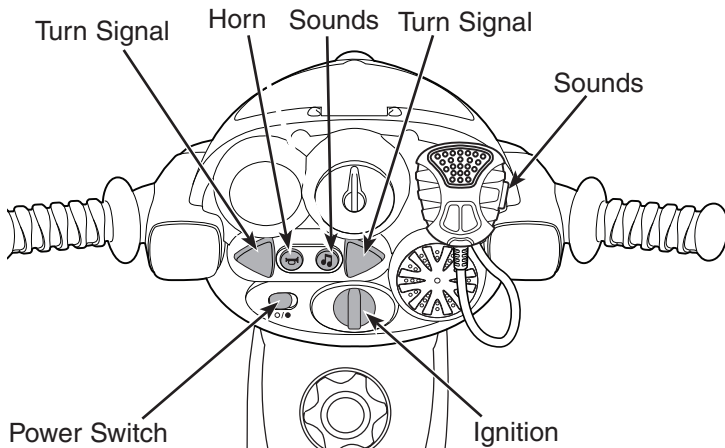
This device complies with Part 15 of the FCC Rules. Operation is subject to the following two conditions: (1) this device may not cause harmful interference and (2) this device must accept any interference received, including interference that may cause undesired operation.

## Removing the Seat



- Turn the frame on its side.
- Squeeze the seat retainer tabs toward one another and lift the seat from the frame.

## Let's Go!



- Slide the power switch ON ○.
- Turn the ignition, "VRRROOOM!"
- Press the left ◀ or right ▶ turn signals for flashing blinkers.
- Press any of the sound buttons for music, a horn or other fun phrases!
- When you are finished playing with this toy, slide the power switch OFF ●.

## Consumer Information

### CONSUMER ASSISTANCE

1-800-432-5437 (US & Canada)  
1300 135 312 (Australia)

**service.fisher-price.com**

Fisher-Price, Inc., 636 Girard Avenue, East Aurora, NY 14052.  
Hearing-impaired consumers: 1-800-382-7470.

Outside the United States:

Canada: Mattel Canada Inc., 6155 Freemont Blvd.,  
Mississauga, Ontario L5R 3W2; [www.service.mattel.com](http://www.service.mattel.com).

Great Britain: Mattel UK Ltd, Vanwall Business Park,  
Maidenhead SL6 4UB. Helpline: 01628 500303.  
[www.service.mattel.com/uk](http://www.service.mattel.com/uk)

Mattel Europa, B.V., Gondel 1, 1186 MJ Amstelveen, Nederland.

Australia: Mattel Australia Pty. Ltd., 658 Church Street,  
Locked Bag #870, Richmond, Victoria 3121 Australia.

New Zealand: 16-18 William Pickering Drive,  
Albany 1331, Auckland.

### Care

- Periodically inspect this product for wear or damage. Check plastic parts regularly and if broken or cracked, dispose of them properly. Replace worn or broken parts immediately.
- Check all fasteners regularly to be sure they are tight. If the fasteners are not tight, tighten them as necessary.
- To clean this product, use a mild soap and water solution and a clean cloth. Rinse clean with water to remove soap residue.

### ICES-003

- This Class B digital apparatus complies with Canadian ICES-003.
- Operation is subject to the following two conditions: (1) this device may not cause harmful interference and (2) this device must accept any interference received, including interference that may cause undesired operation.

### NMB-003

- Cet appareil numérique de la classe B est conforme à la norme NMB-003 du Canada.
- L'utilisation de ce dispositif est autorisée seulement aux conditions suivantes : (1) il ne doit pas produire de brouillage et (2) l'utilisateur du dispositif doit être prêt à accepter tout brouillage radioélectrique reçu, même si ce brouillage est susceptible de compromettre le fonctionnement du dispositif.

DC SUPER FRIENDS and all related characters and elements are trademarks of and © DC Comics.

WB SHIELD: TM & © Warner Bros. Entertainment Inc.  
(s12)

©2011 Mattel. All Rights Reserved. ® and ™ designate U.S. trademarks of Mattel, except as noted.