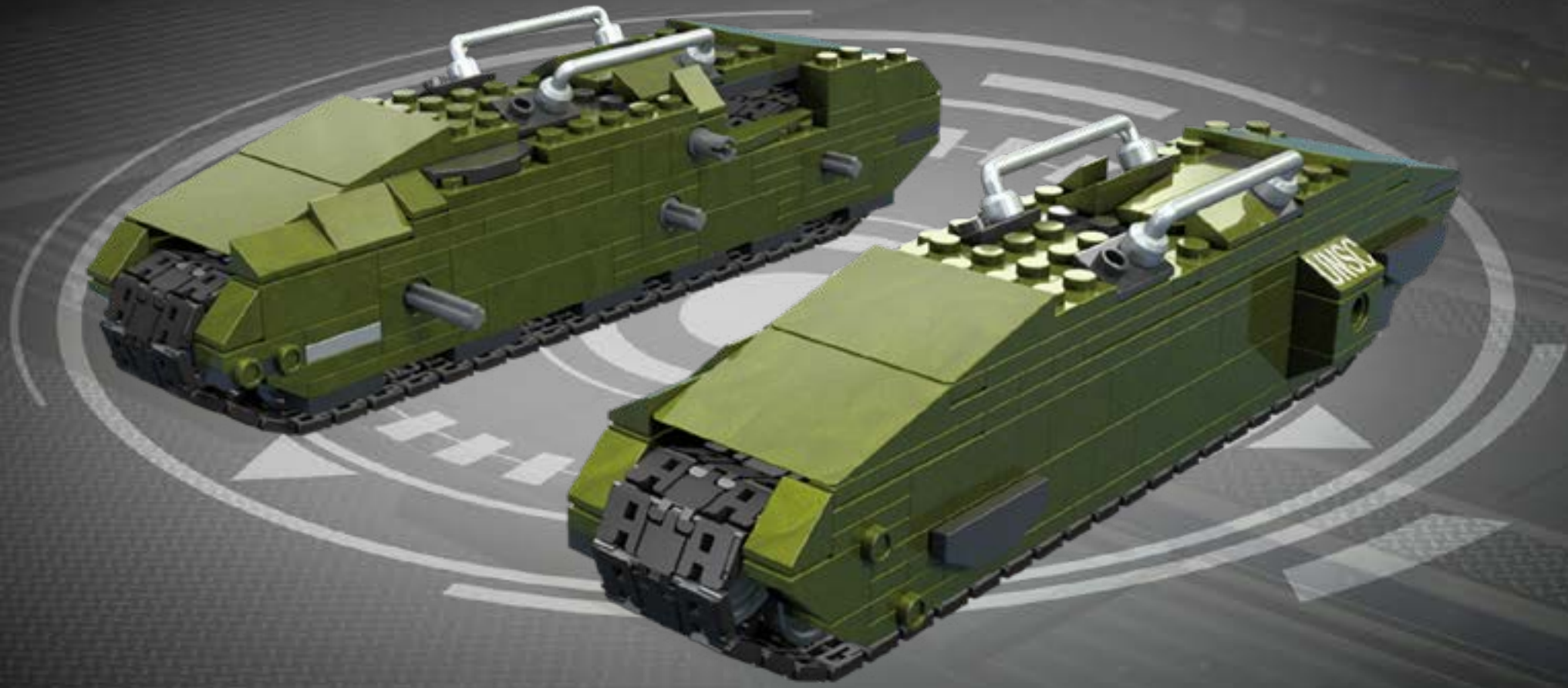
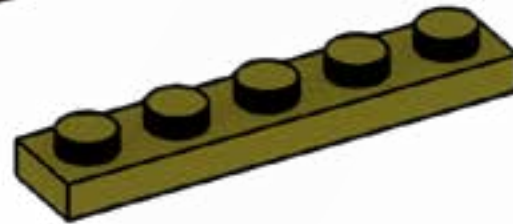
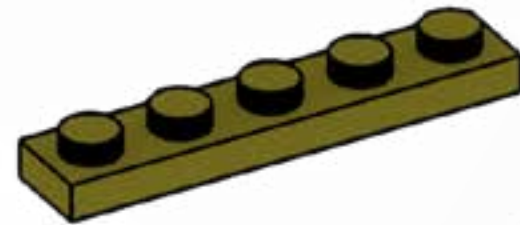
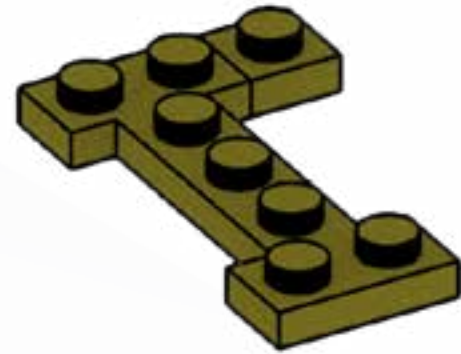


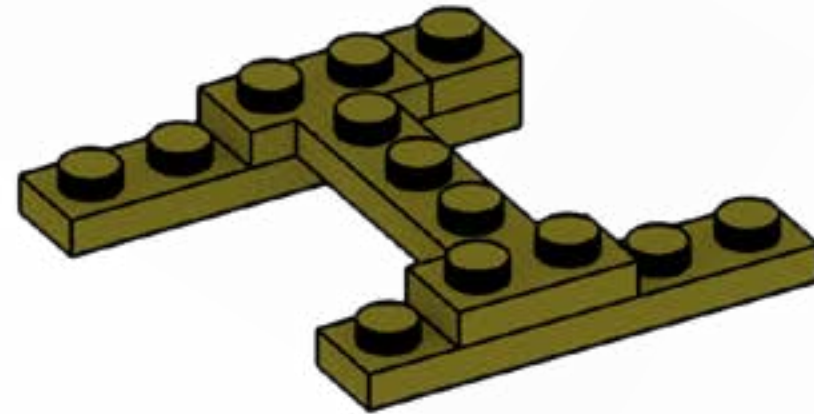
MEGA
CONSTRUX

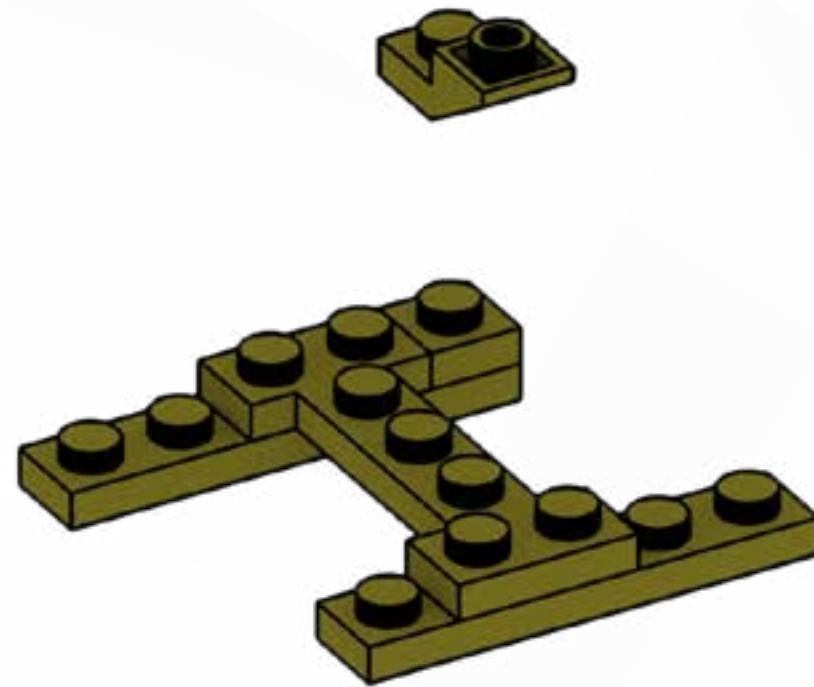
HALO

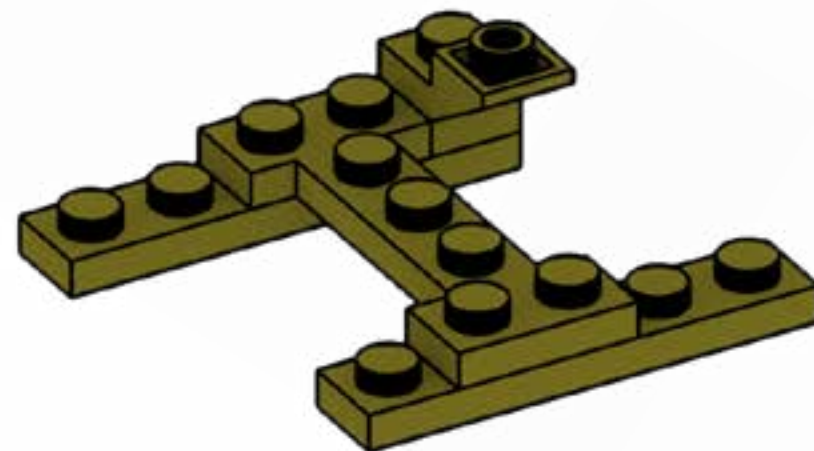


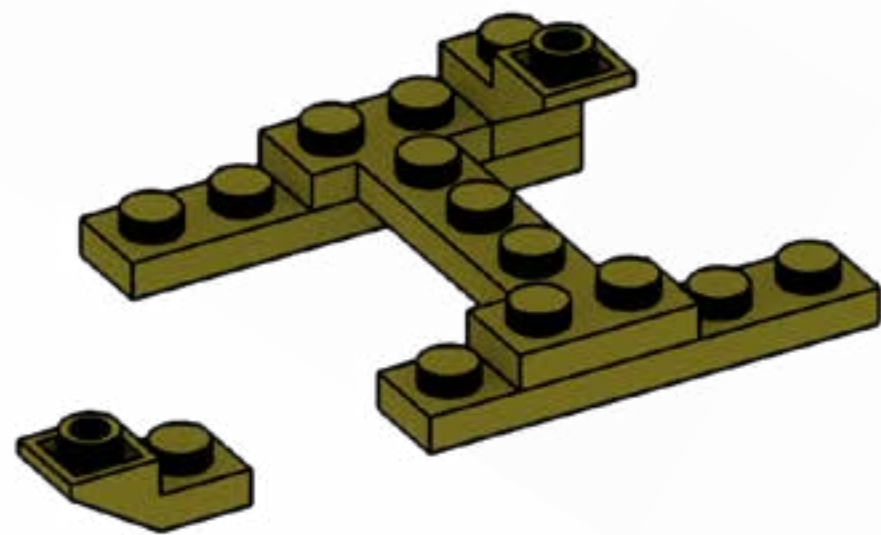


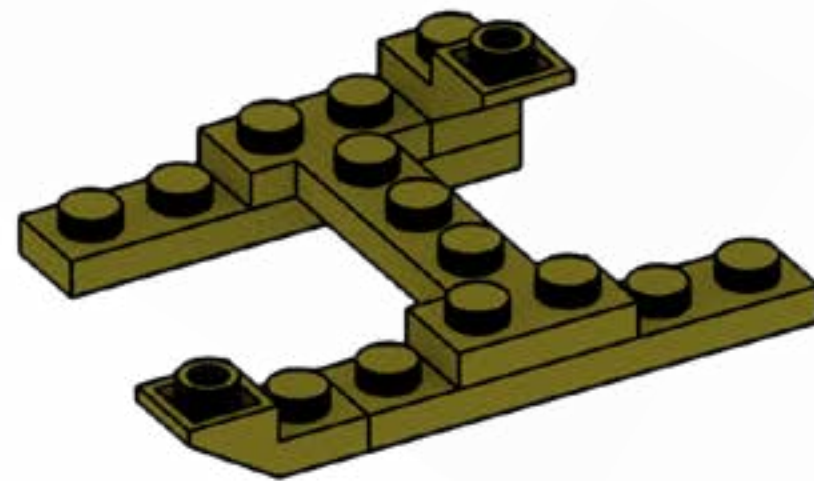


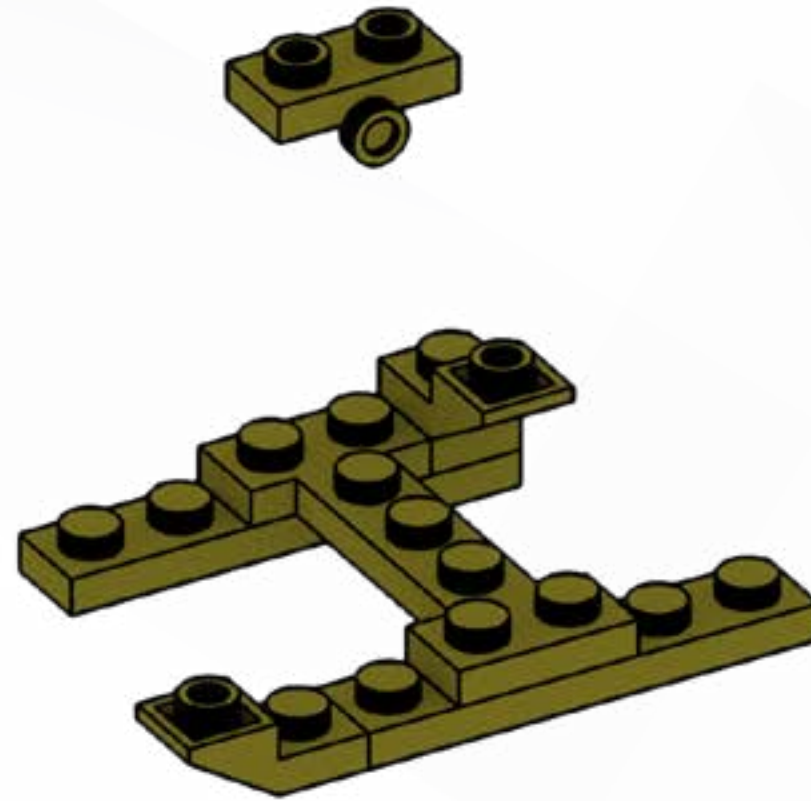


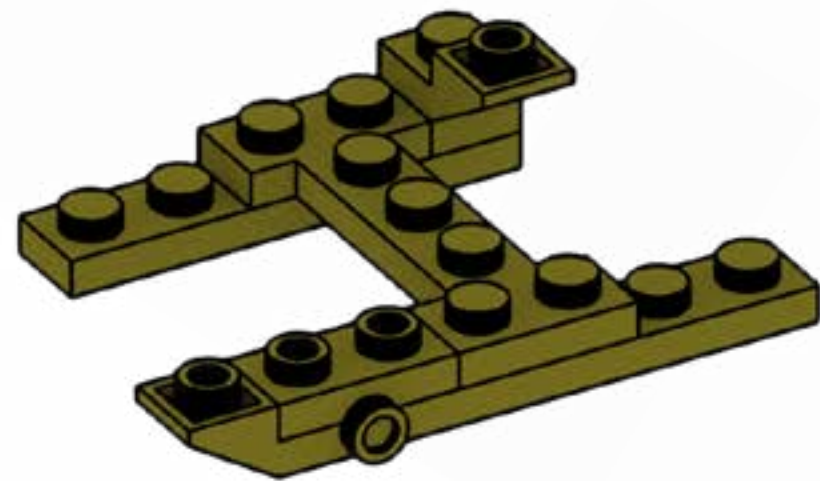






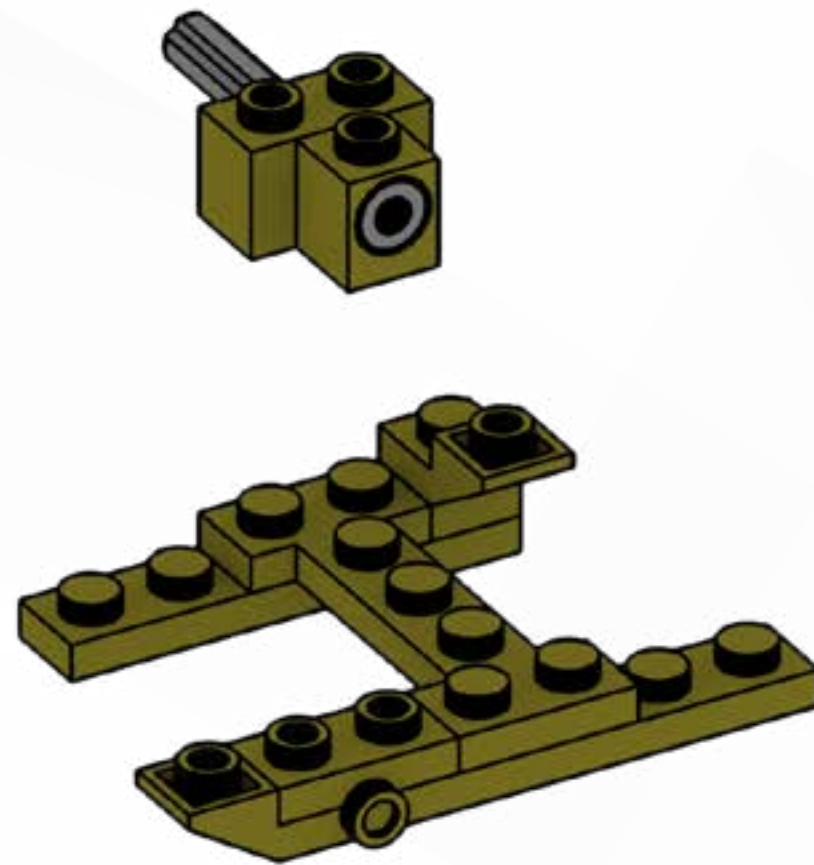


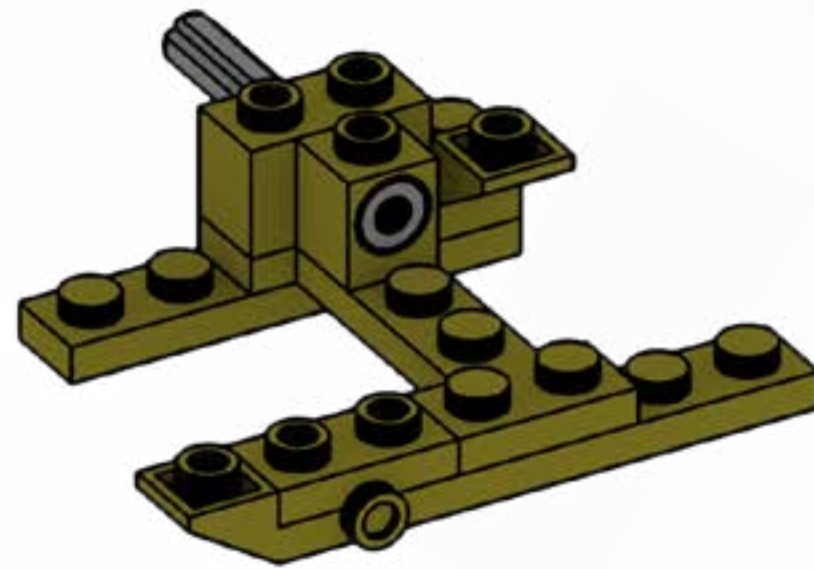






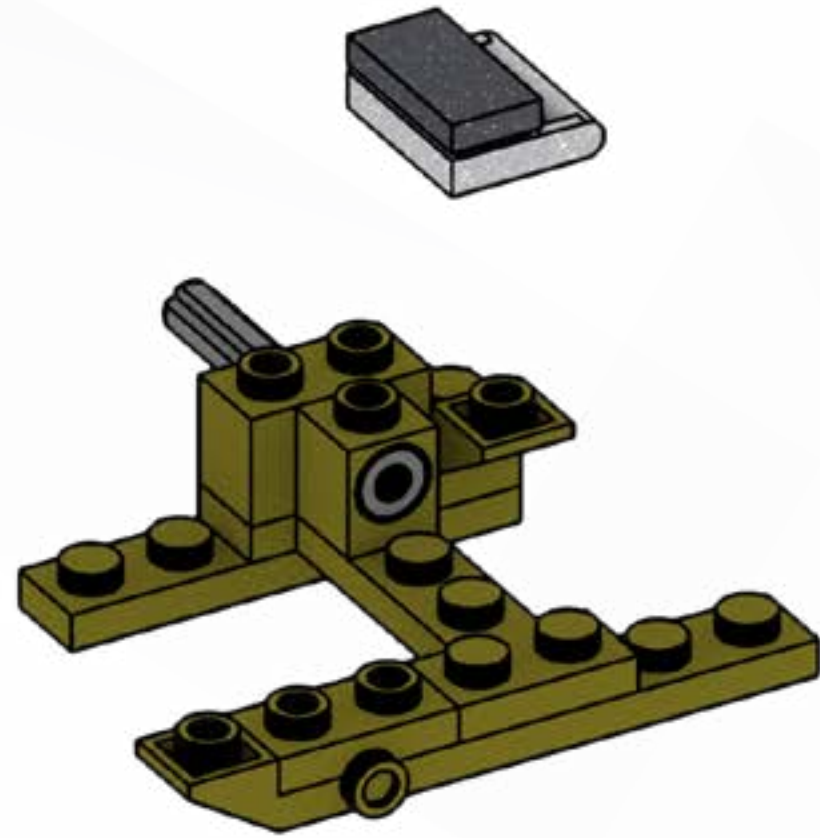


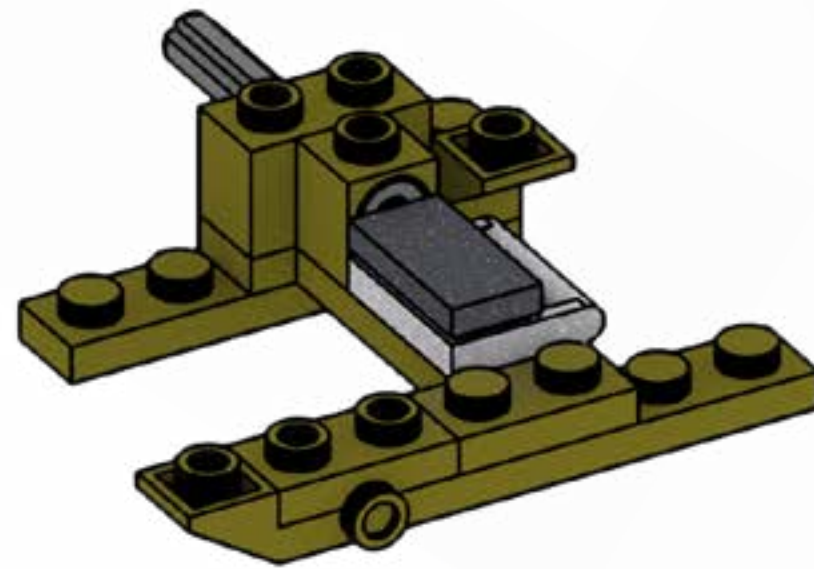


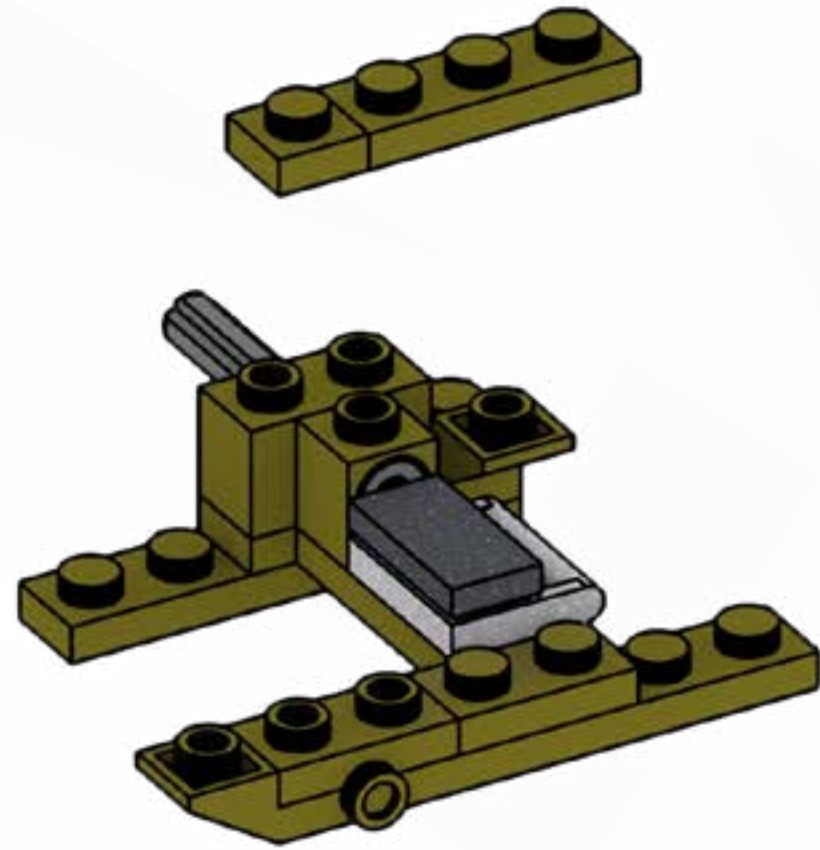


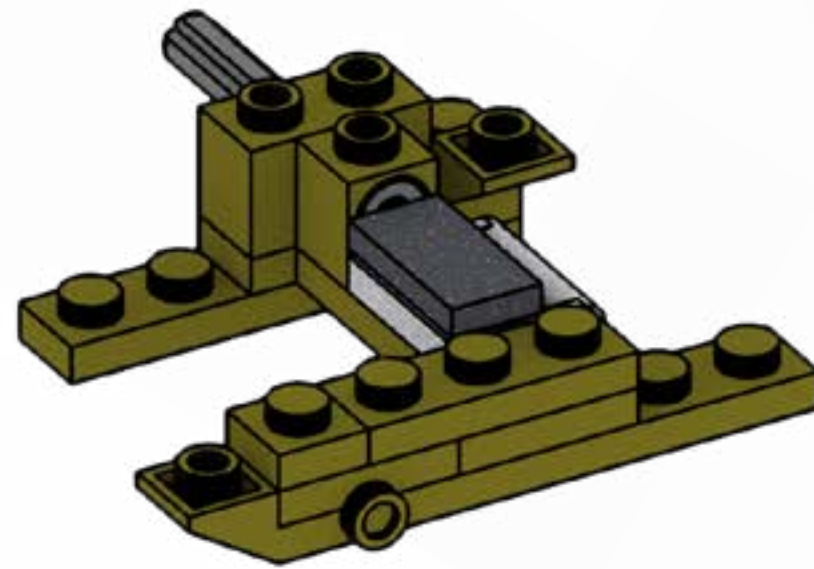


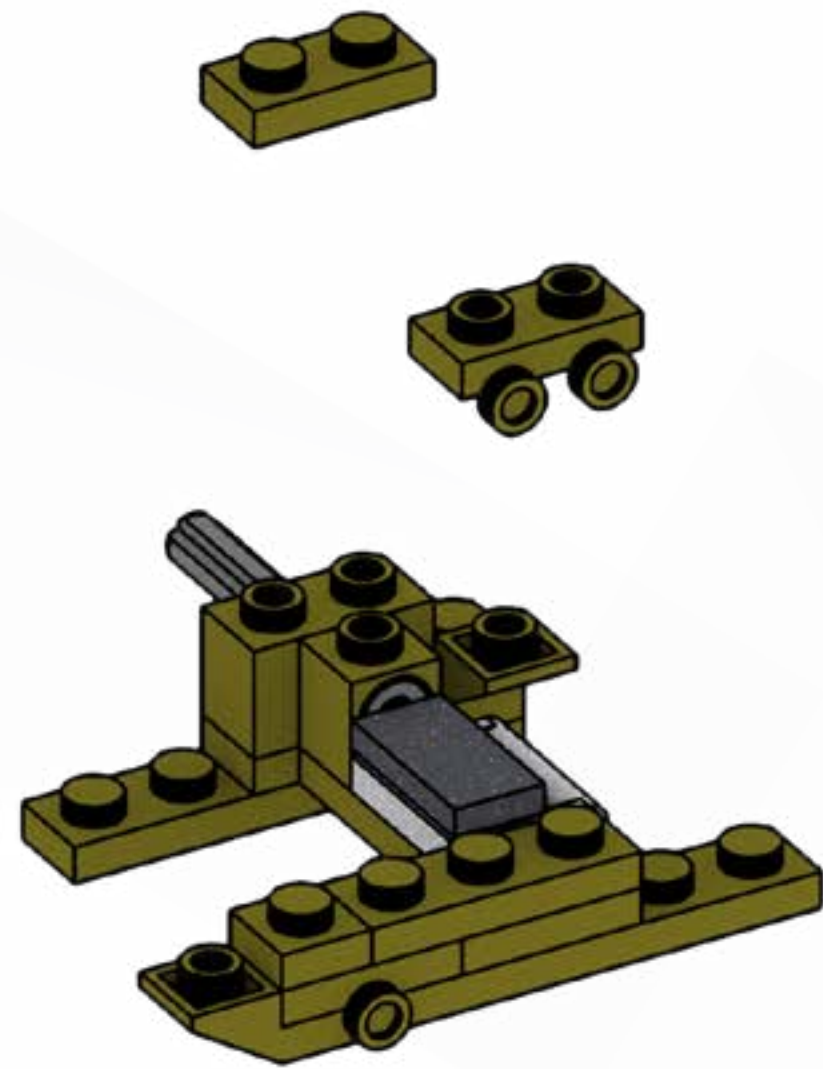


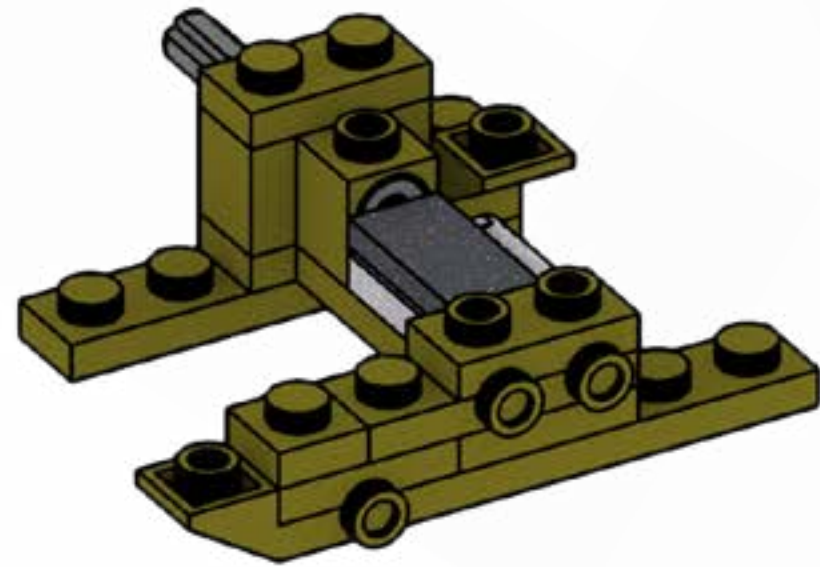




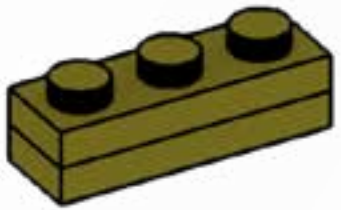


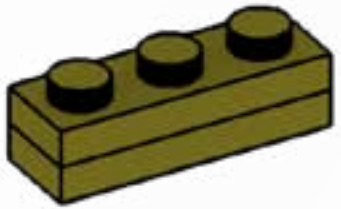
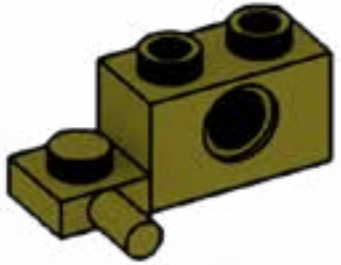


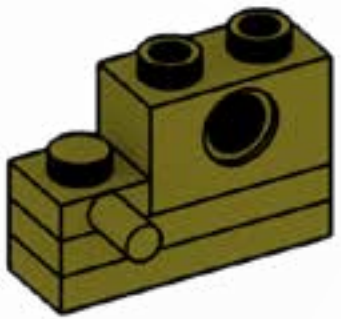


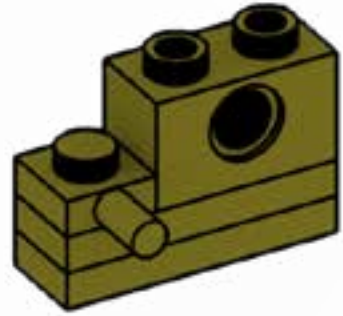




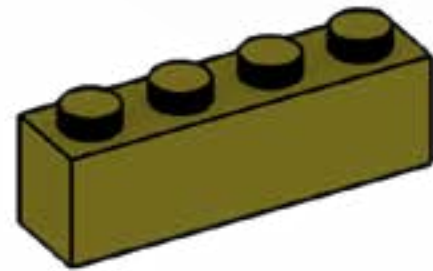


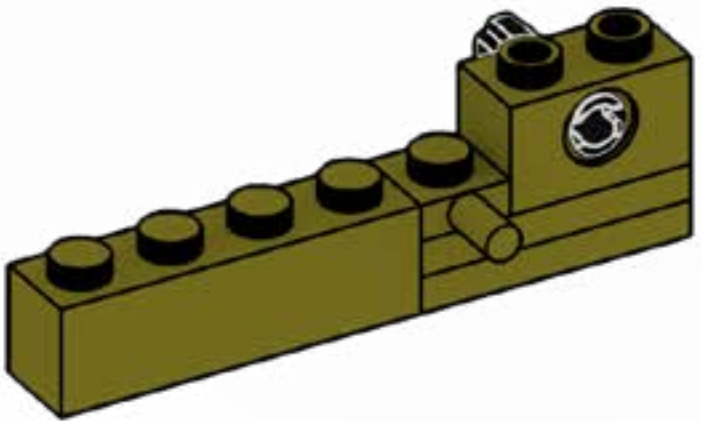


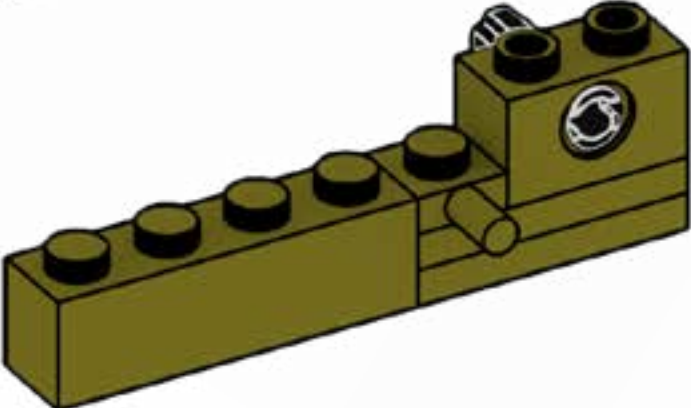
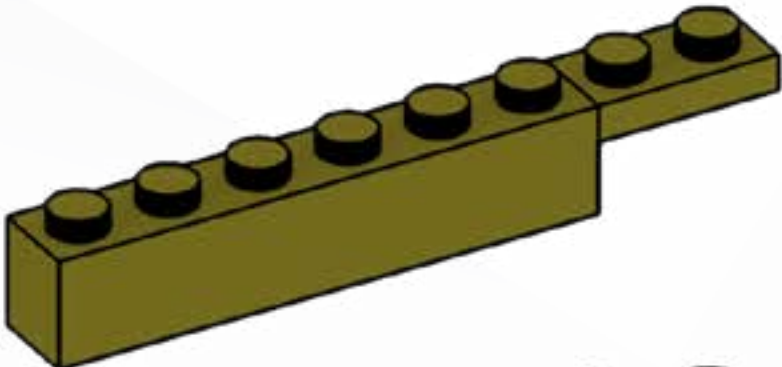


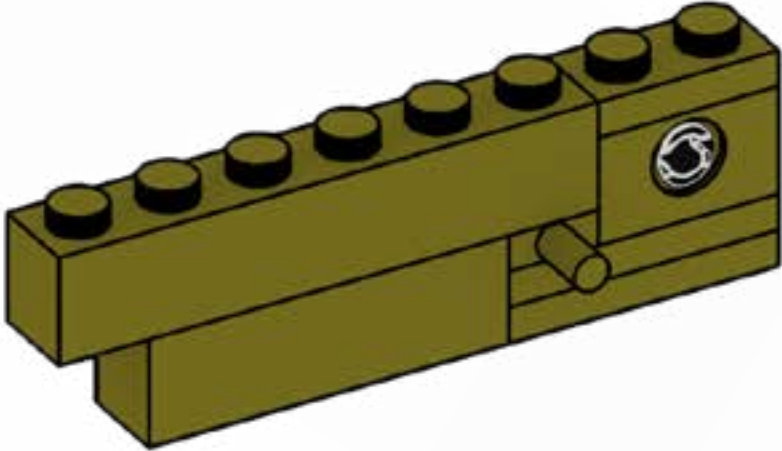


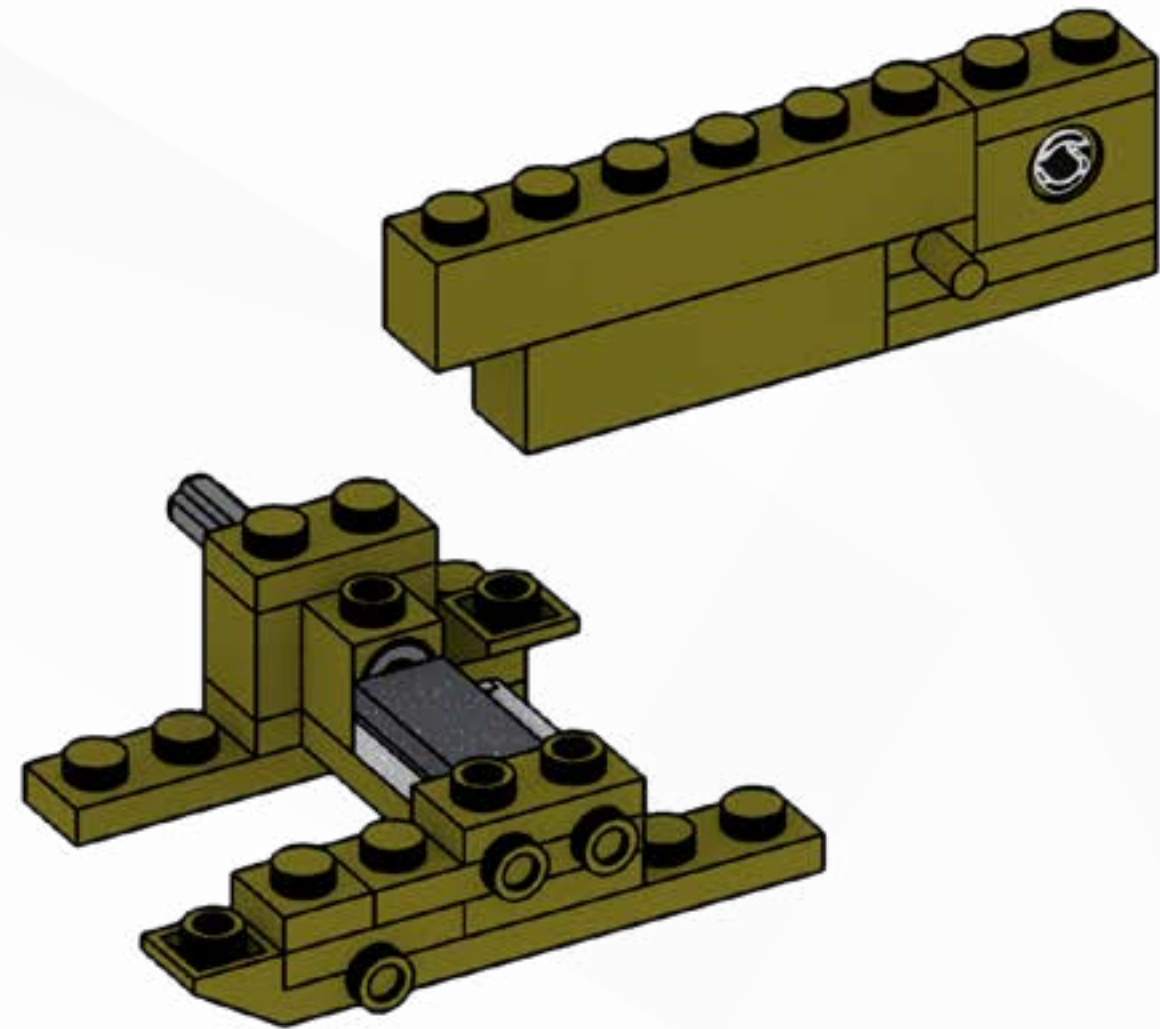


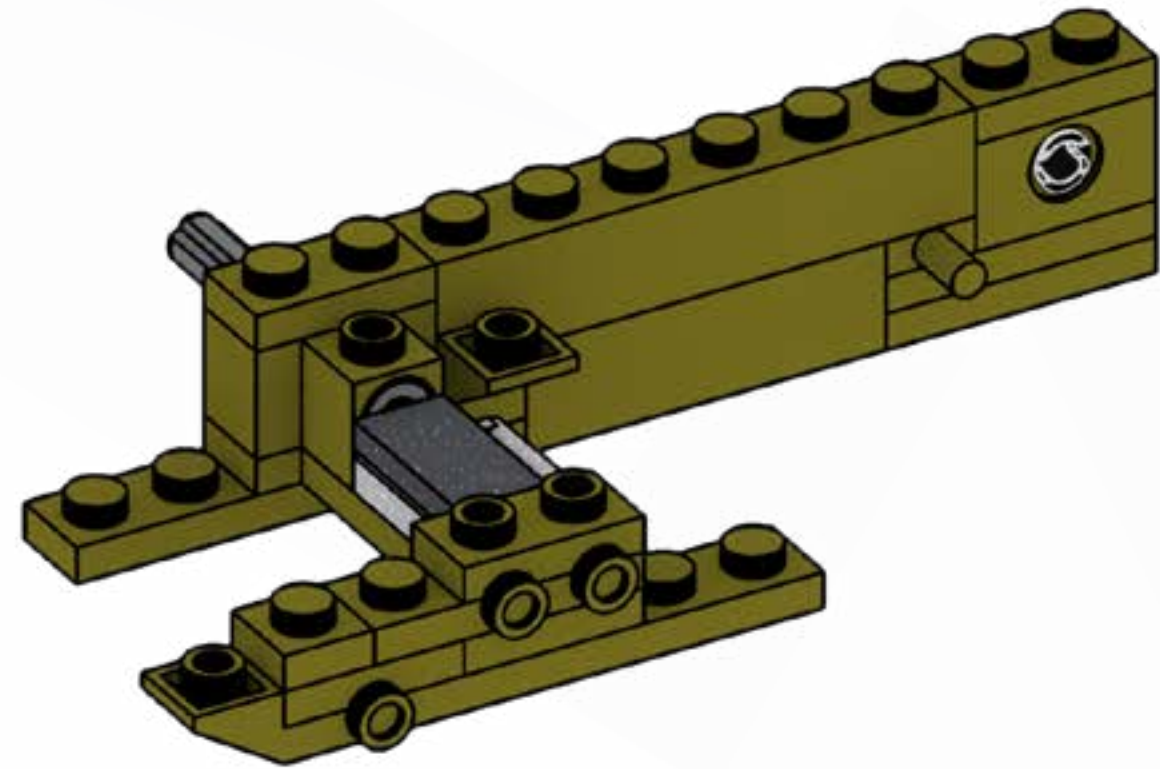


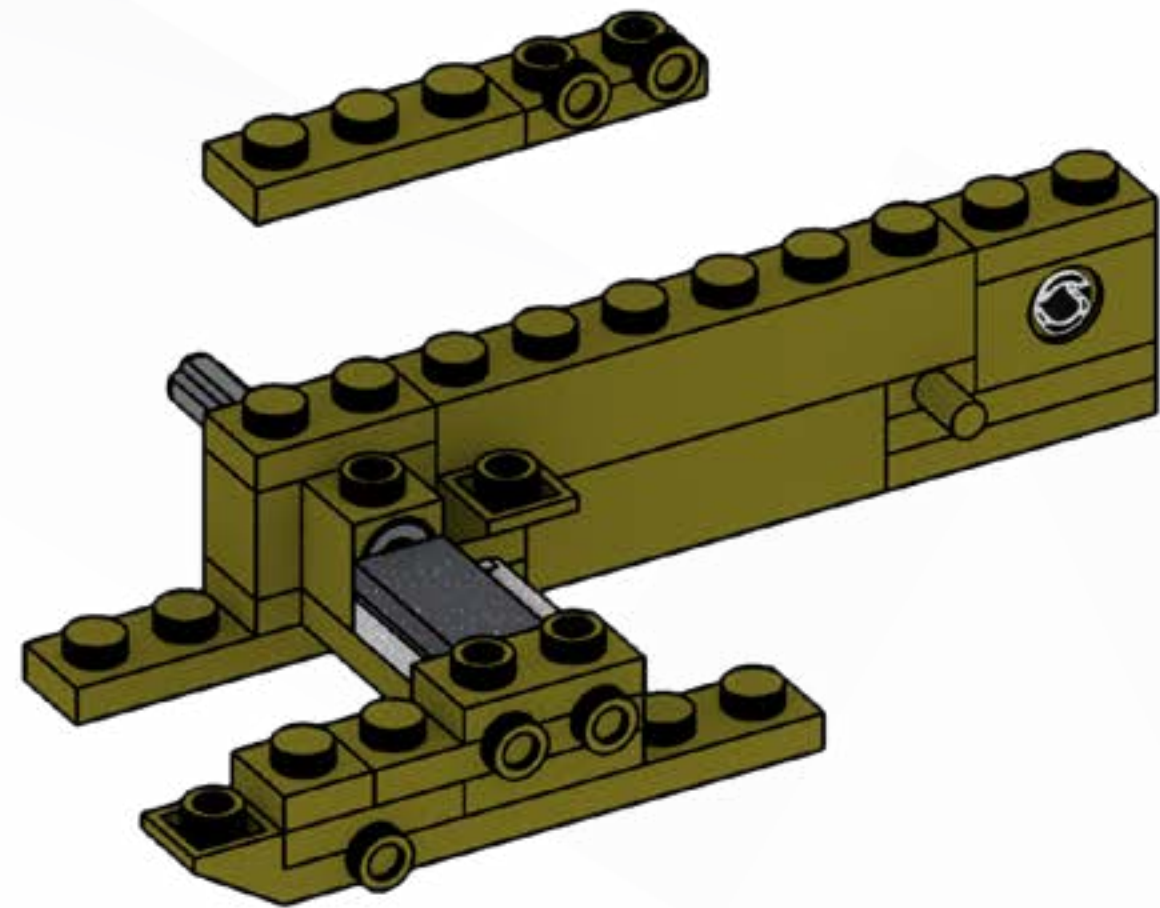


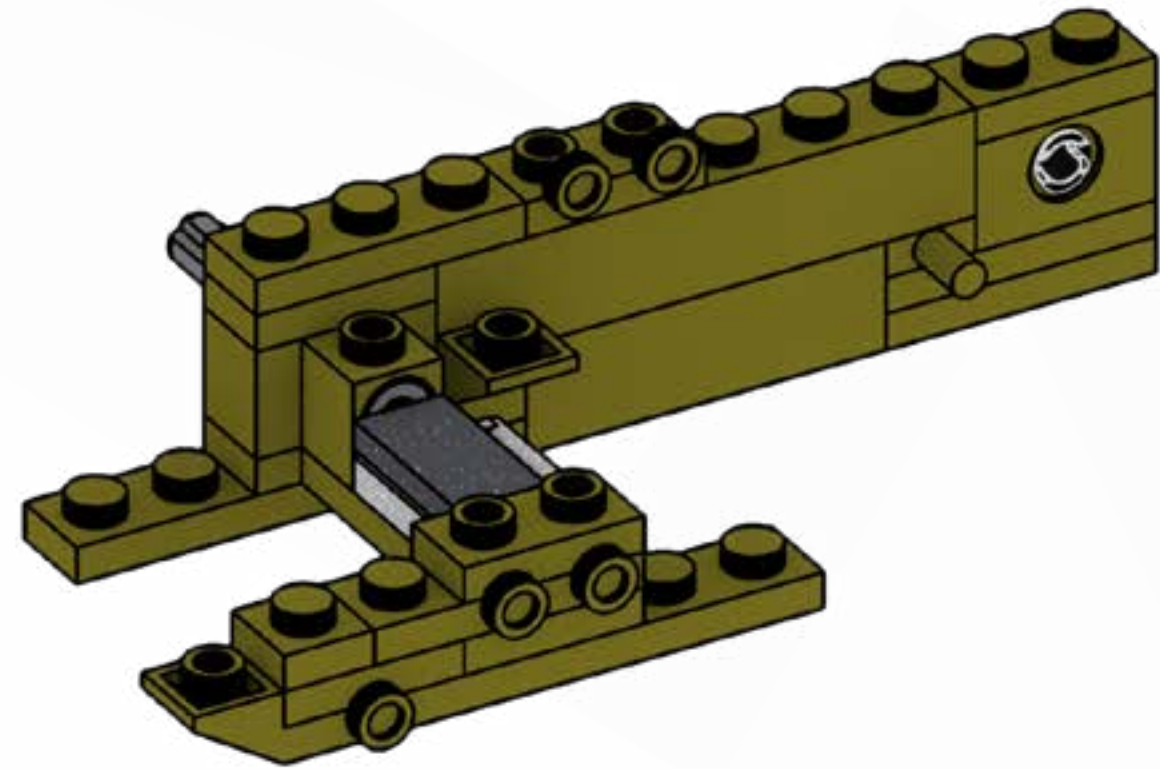


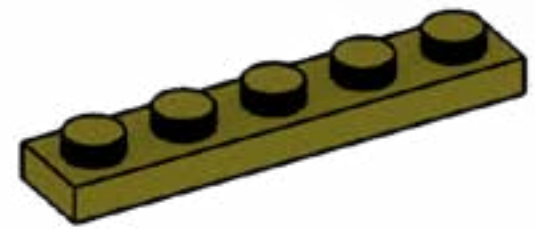


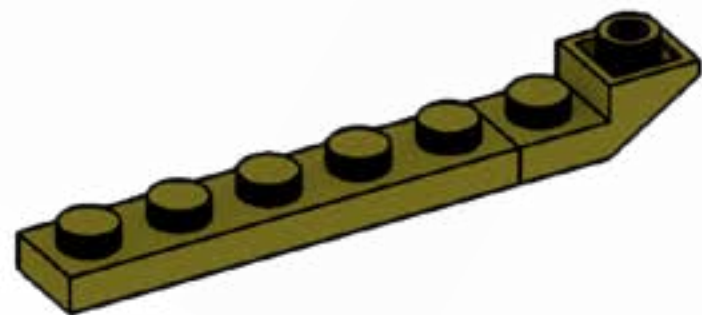


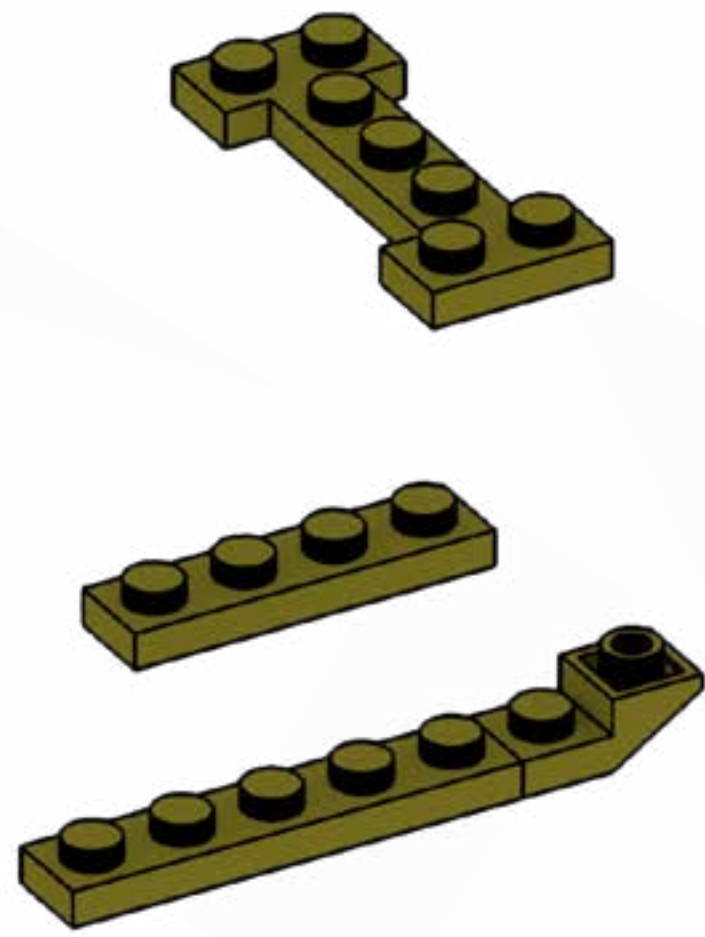


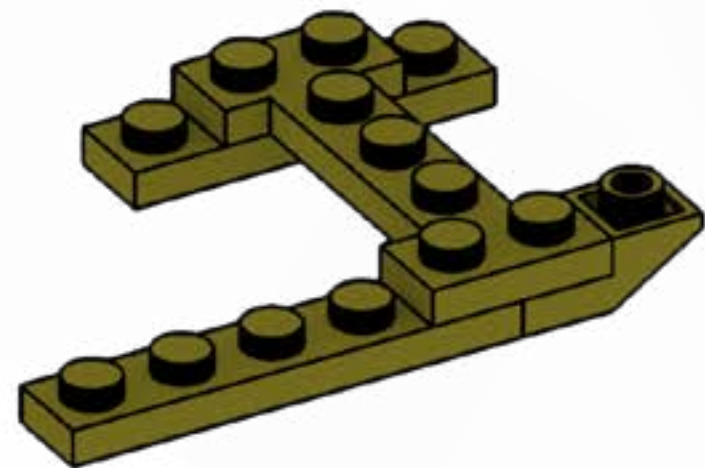


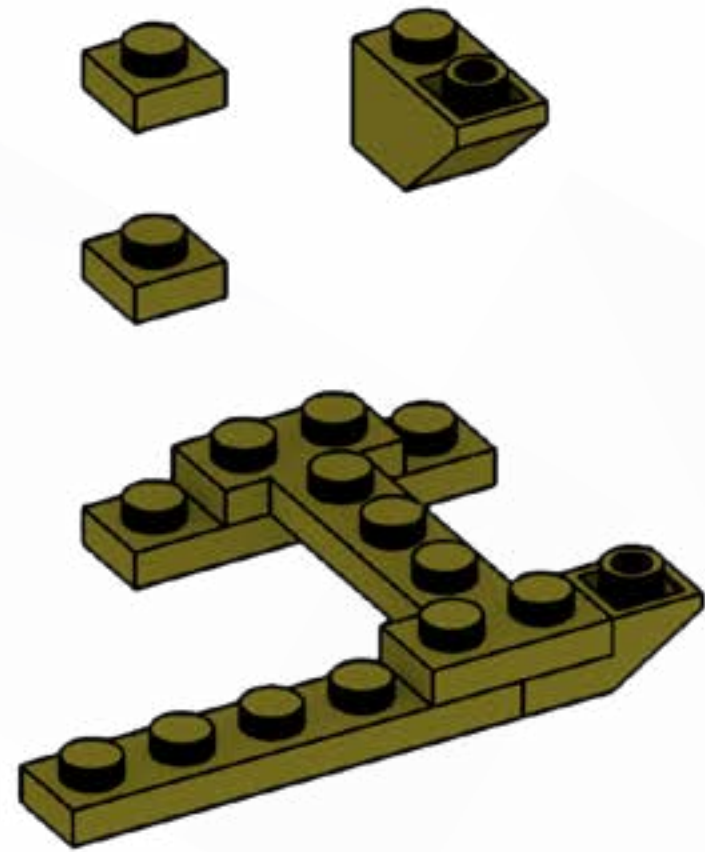


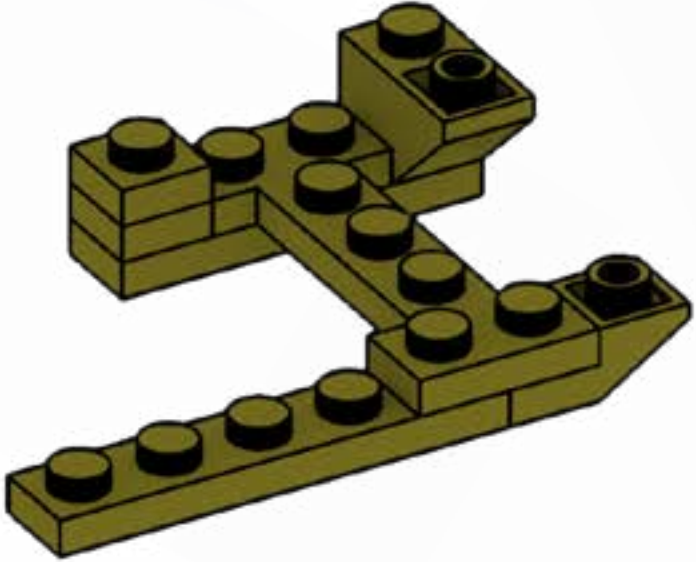


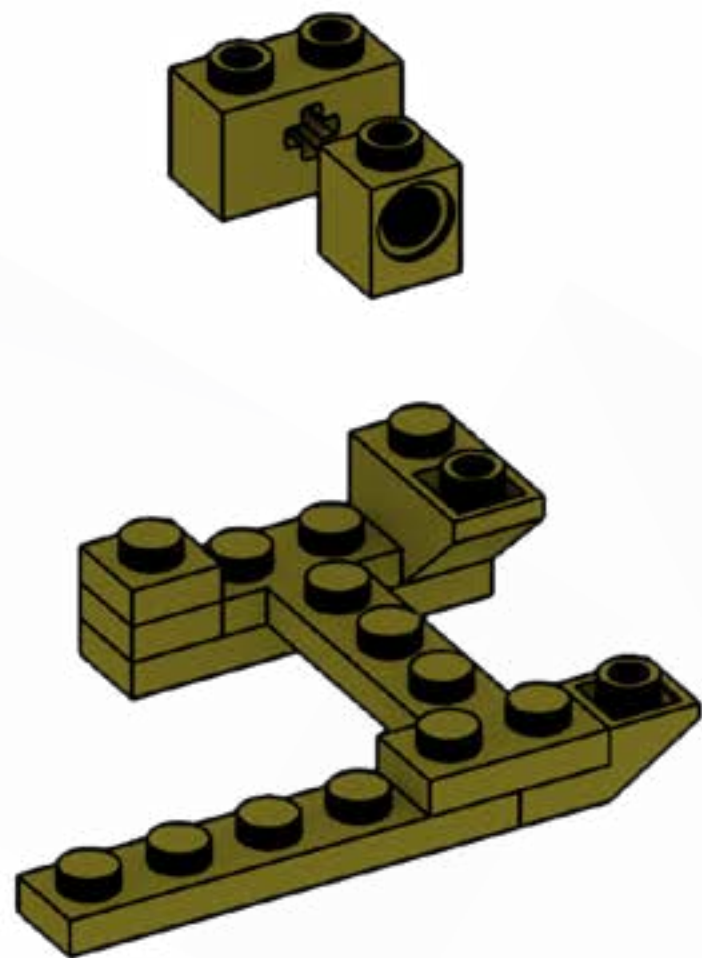


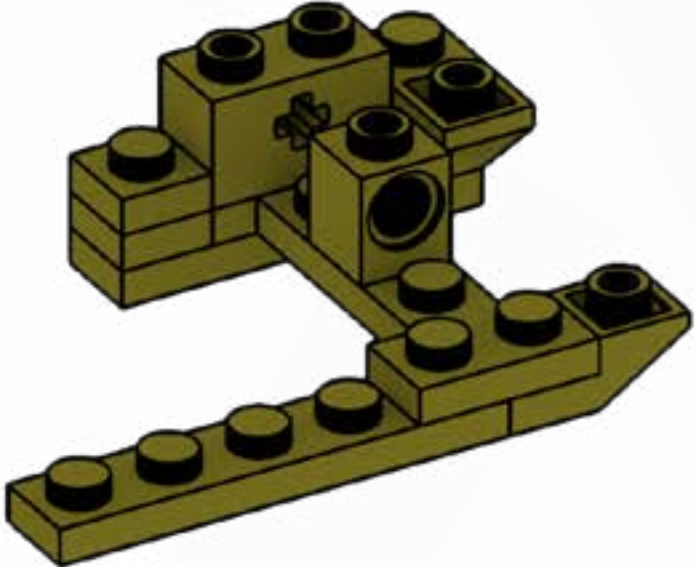


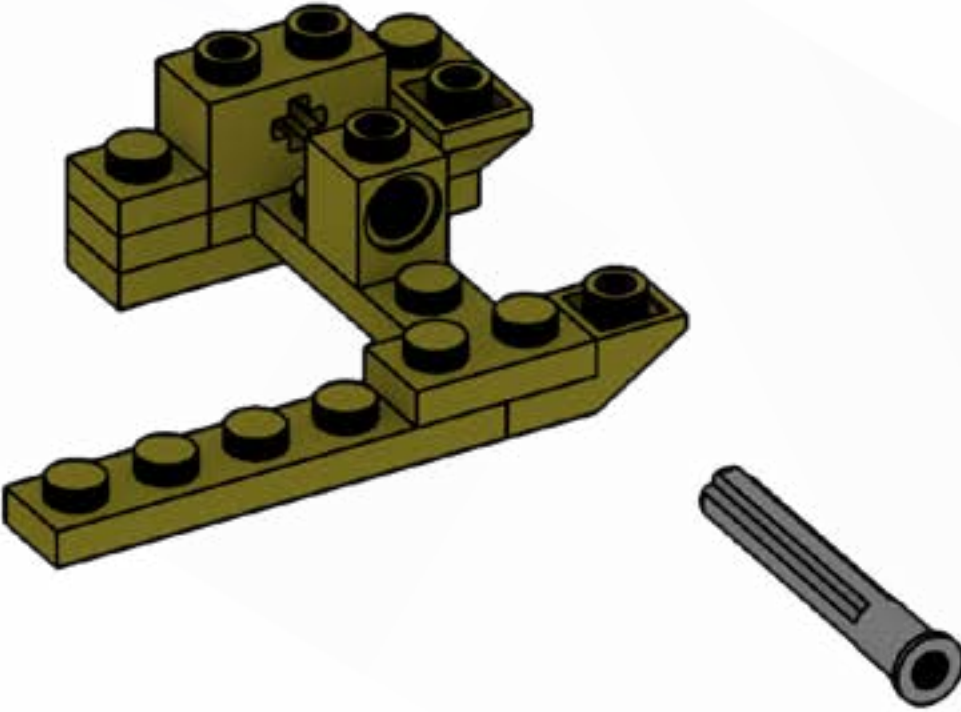


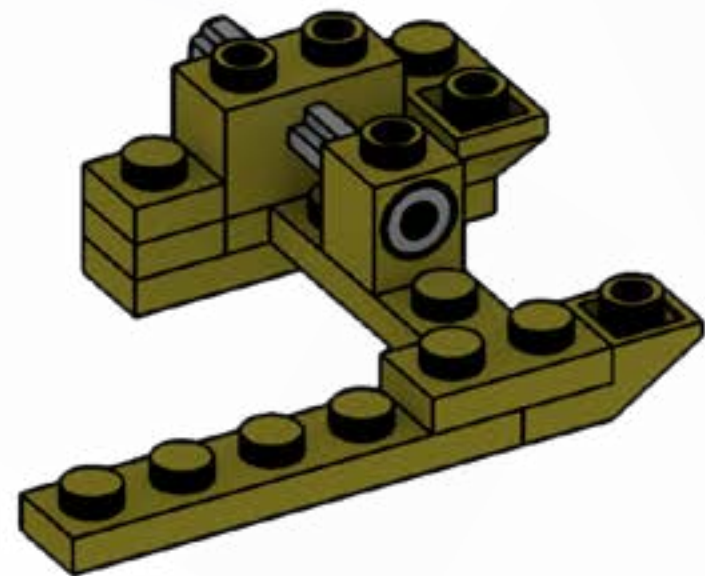


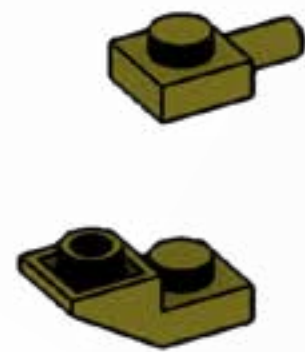




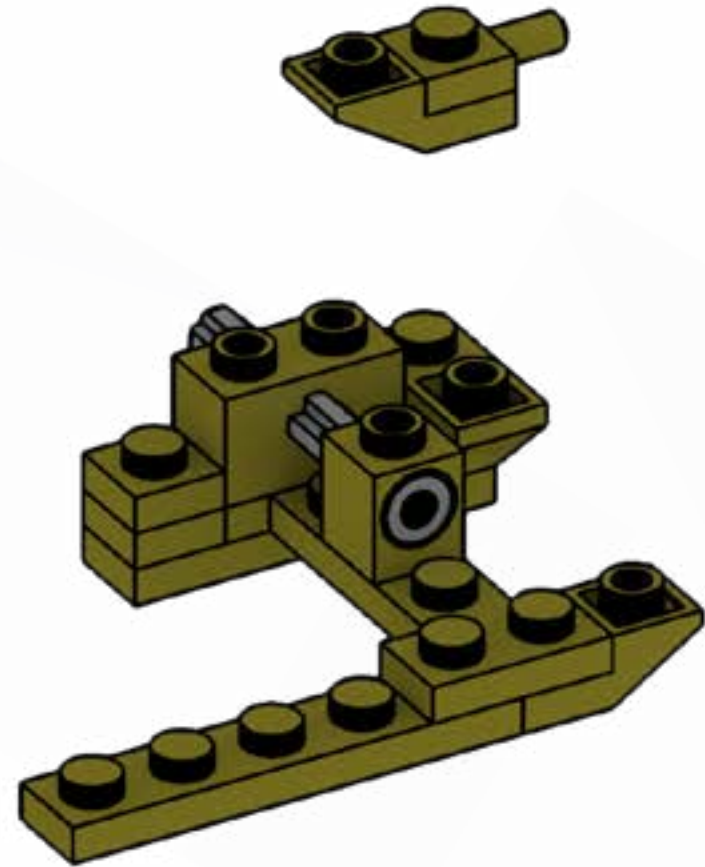


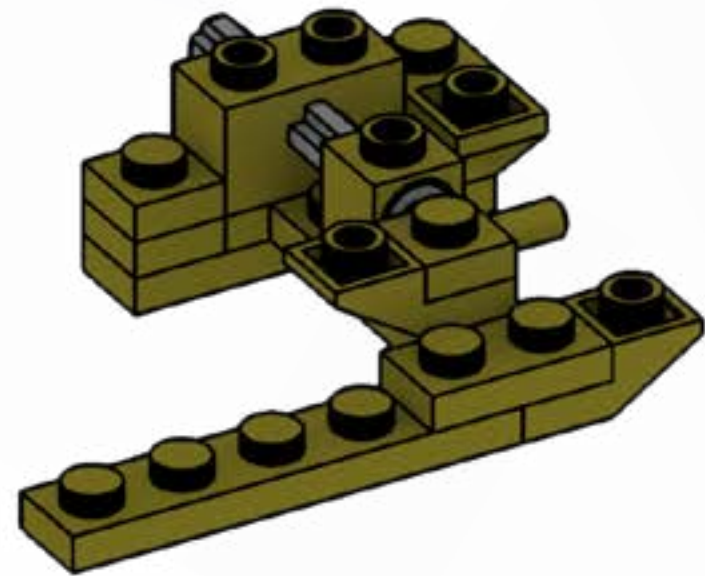


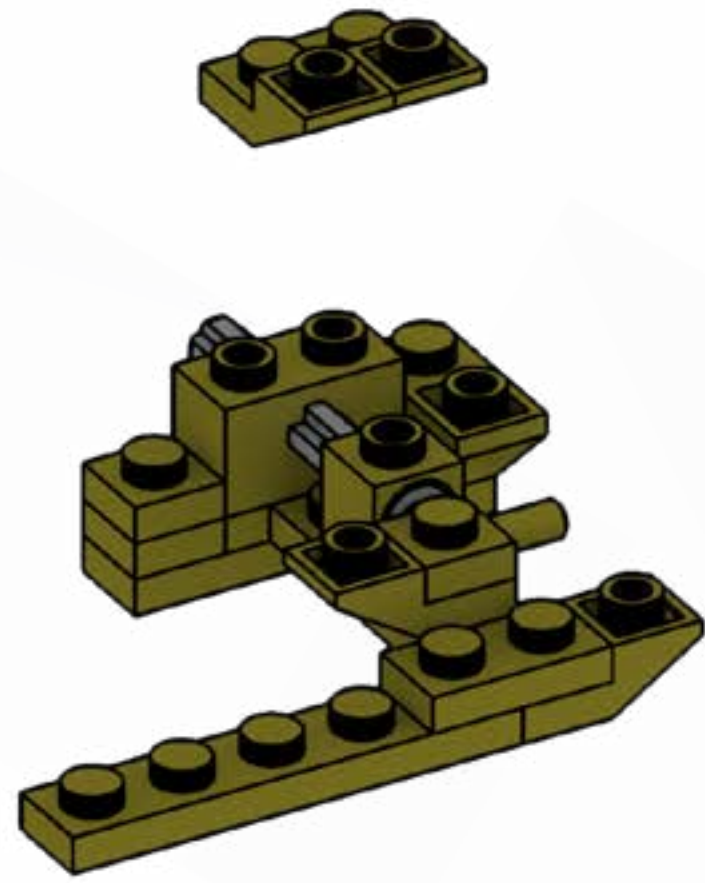


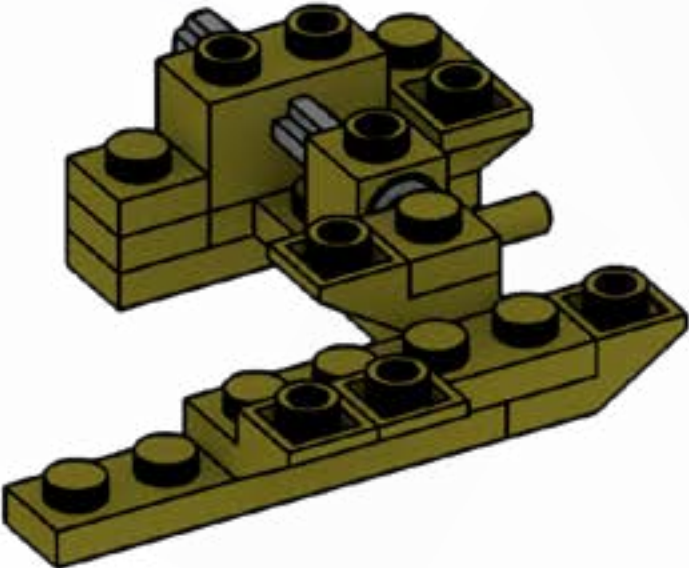


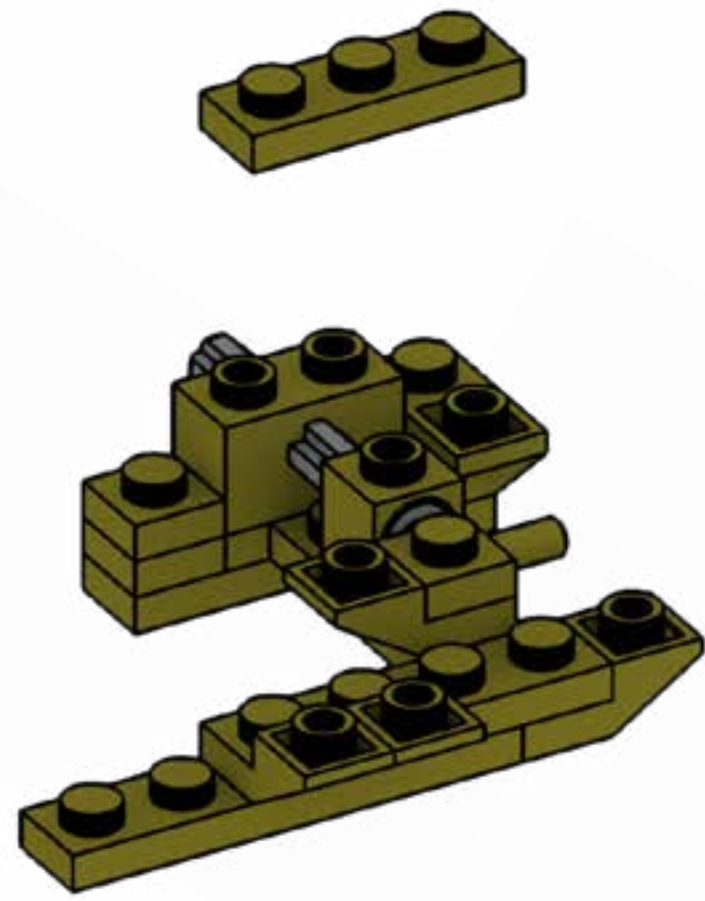


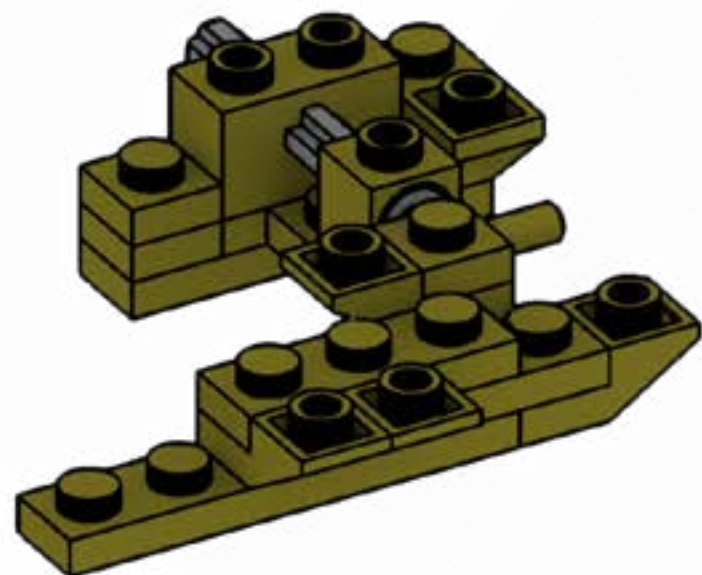


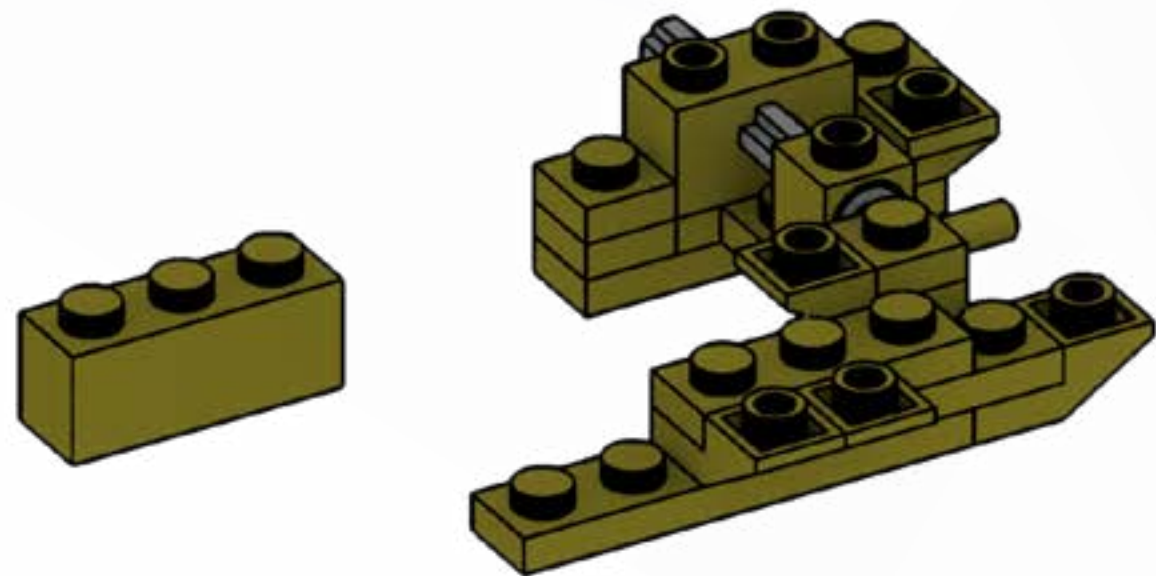


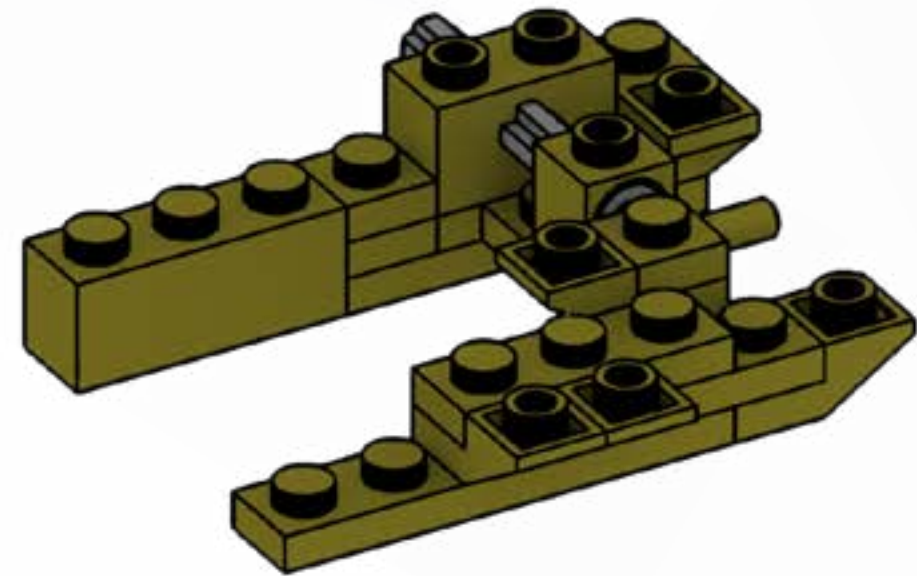


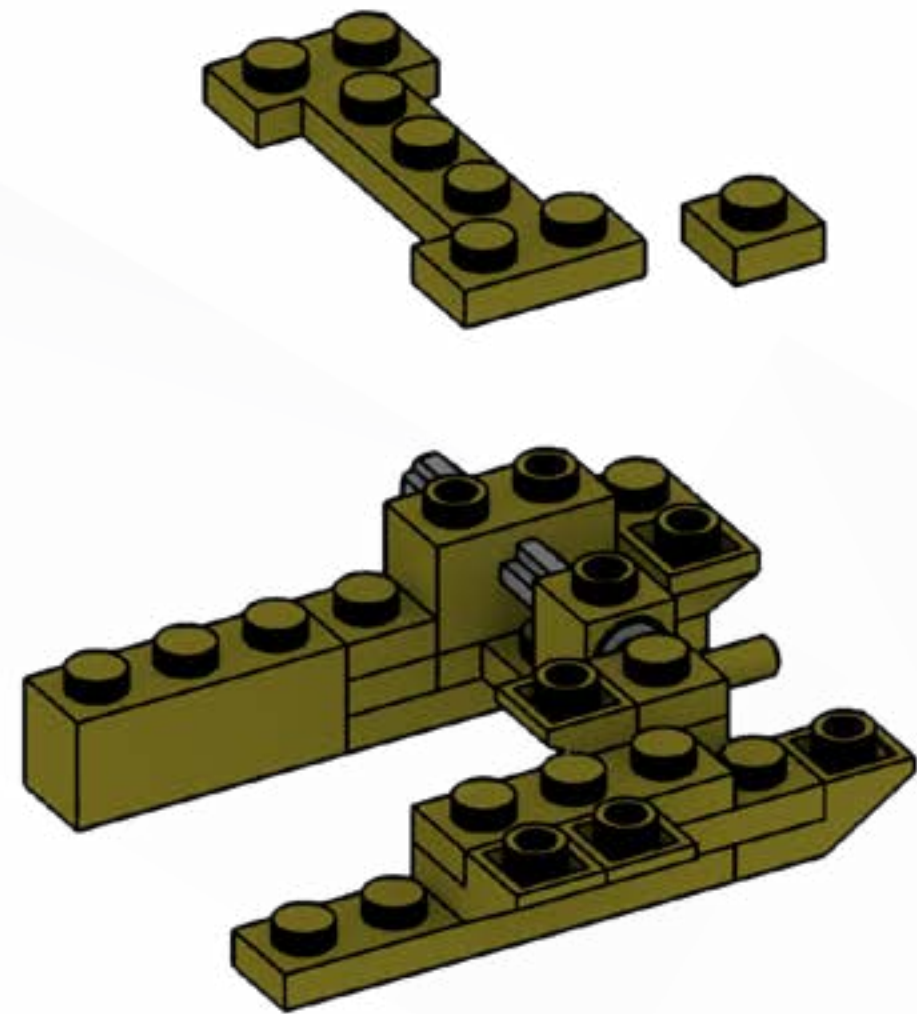


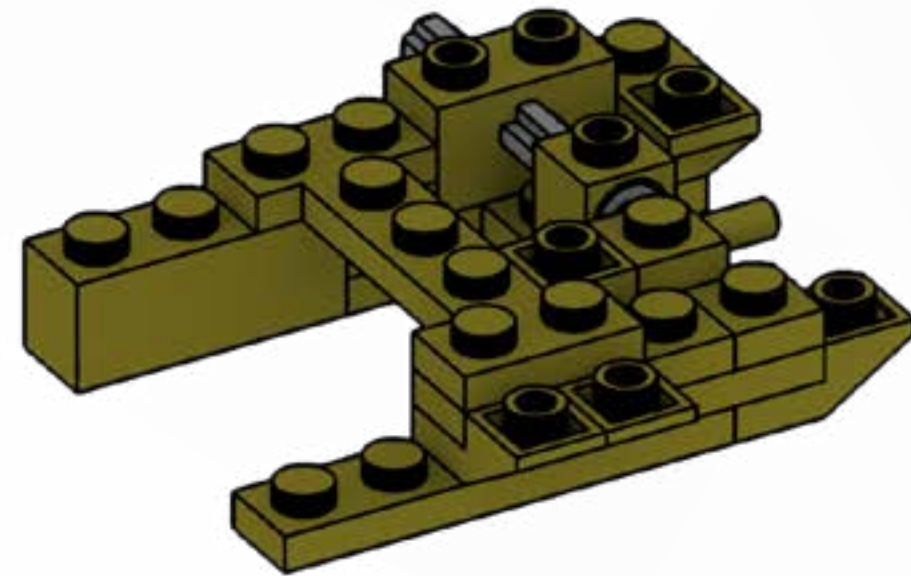


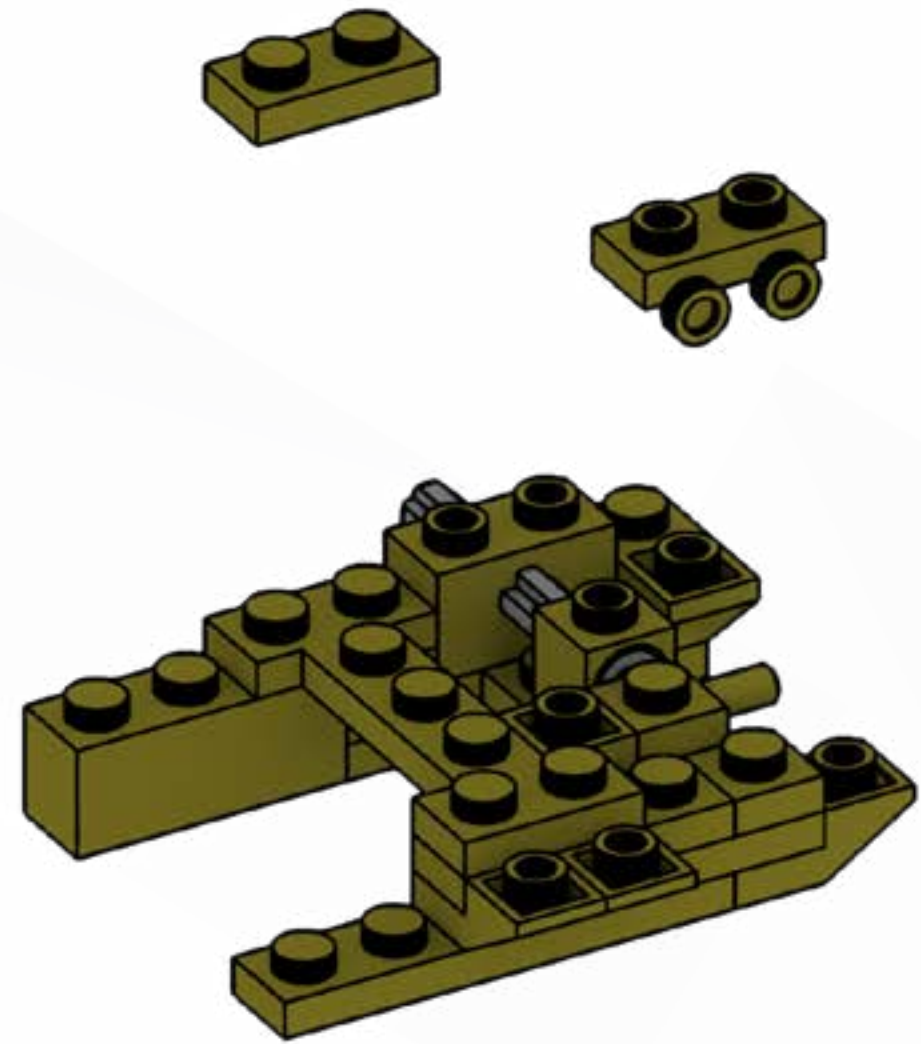


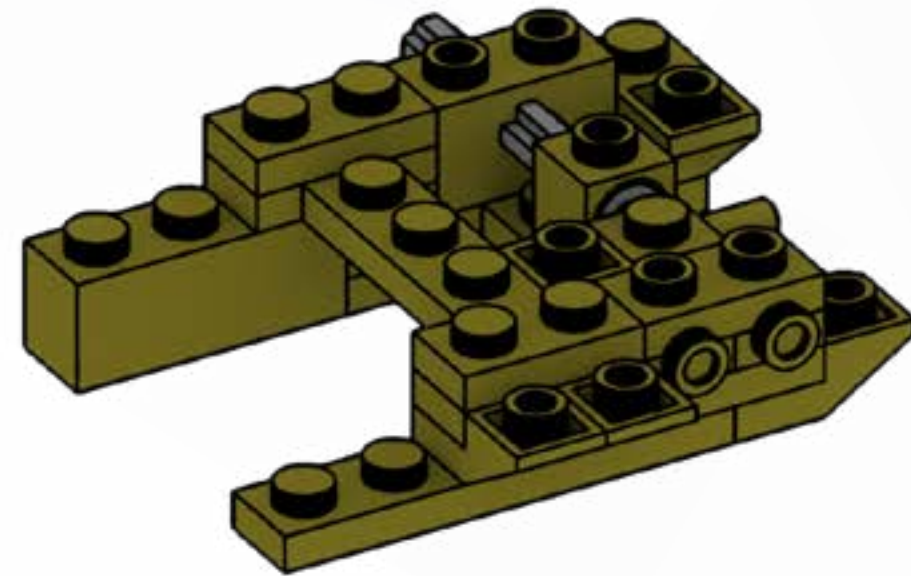


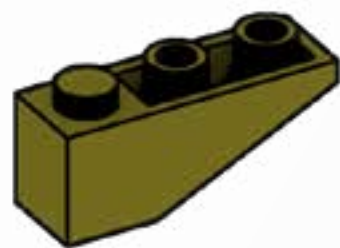


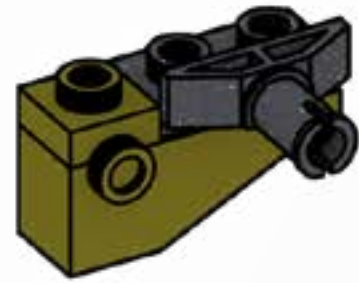


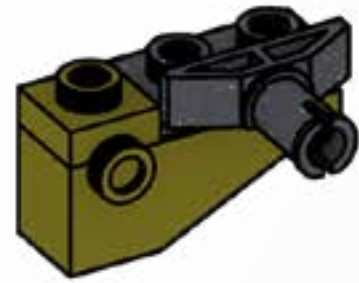
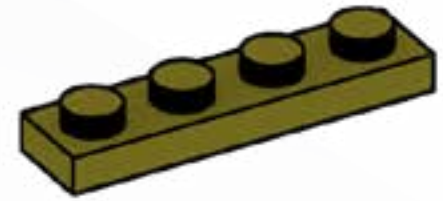


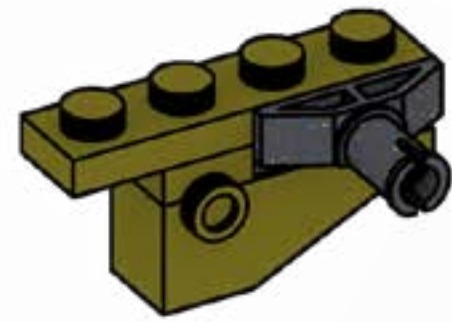


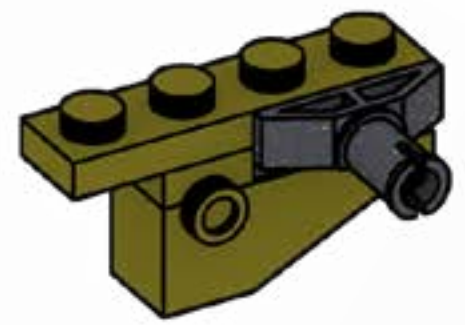


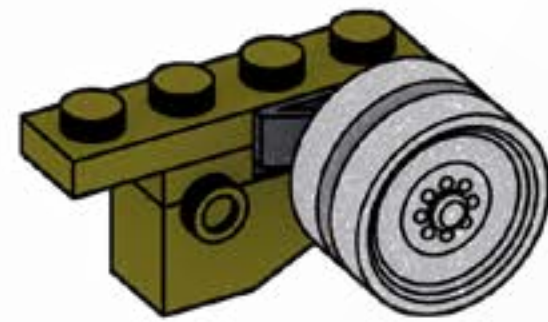


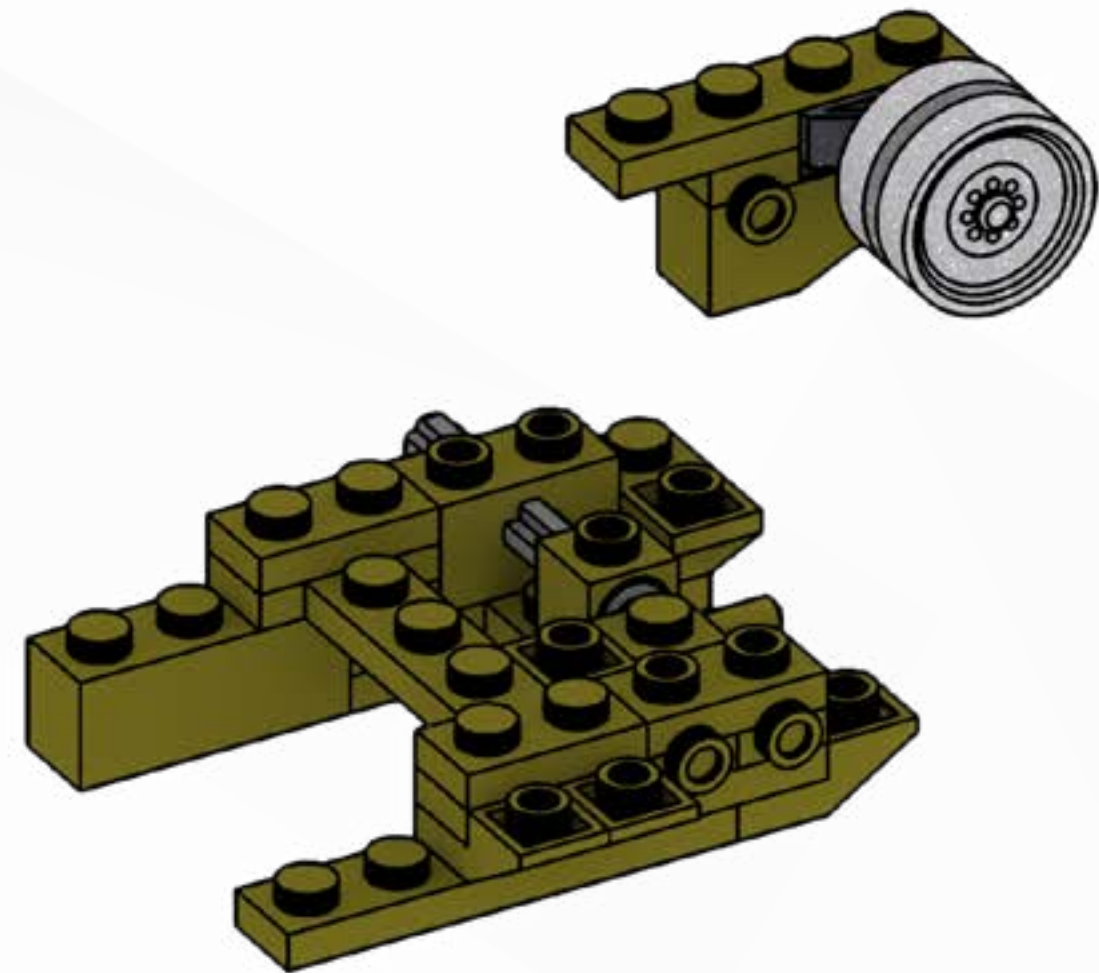


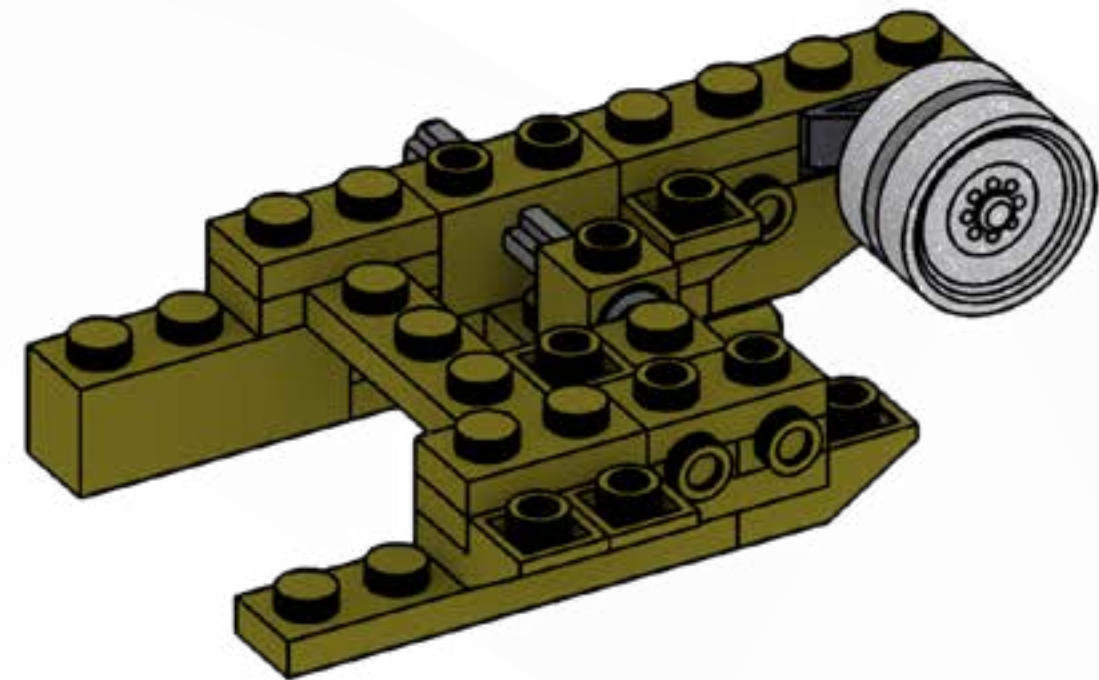


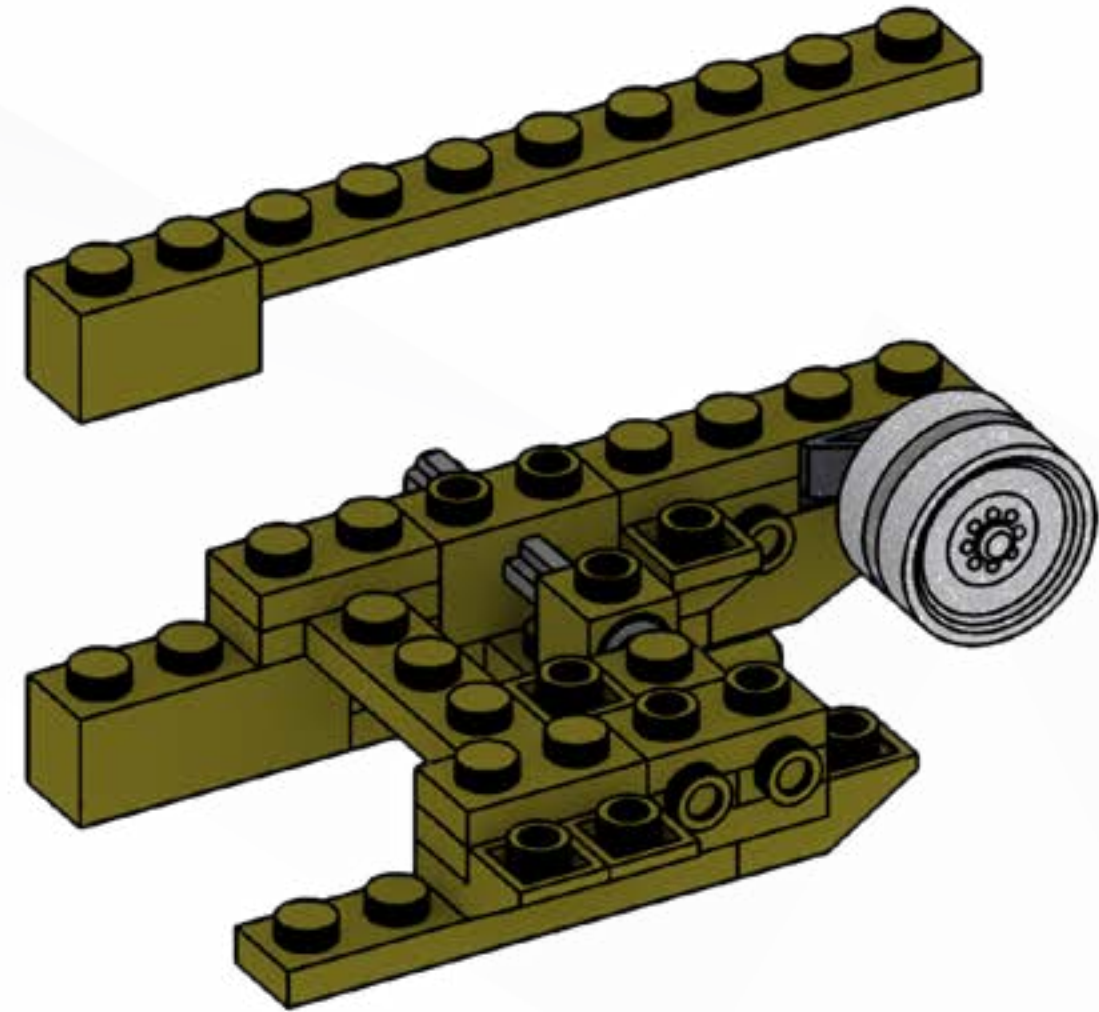


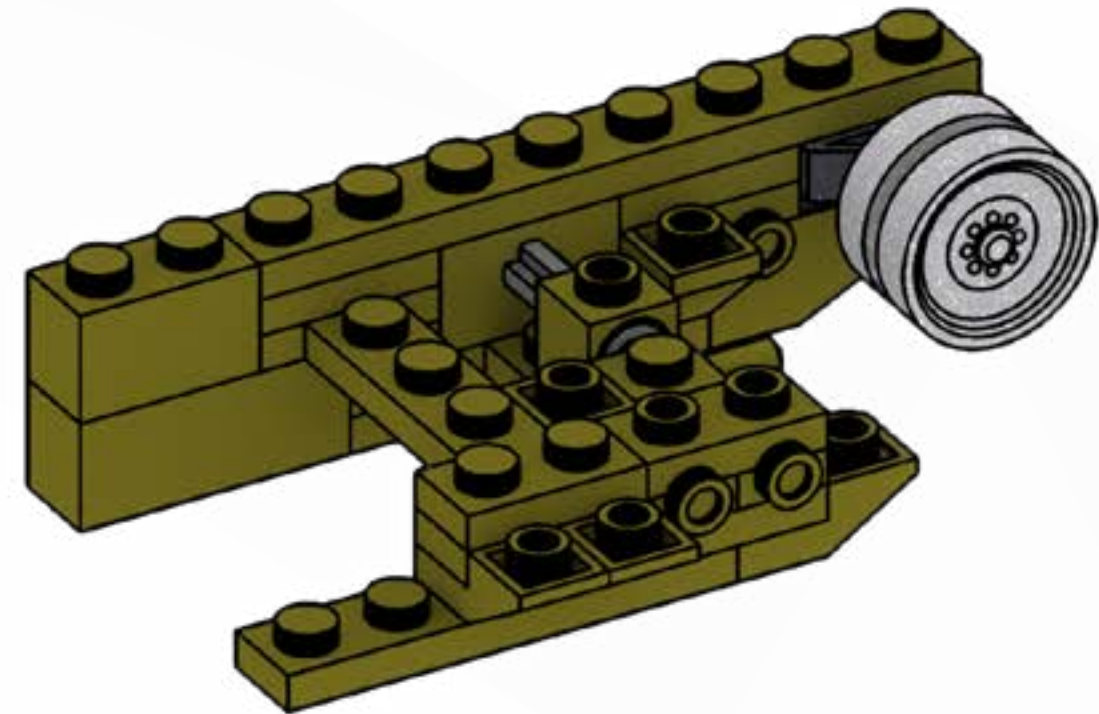


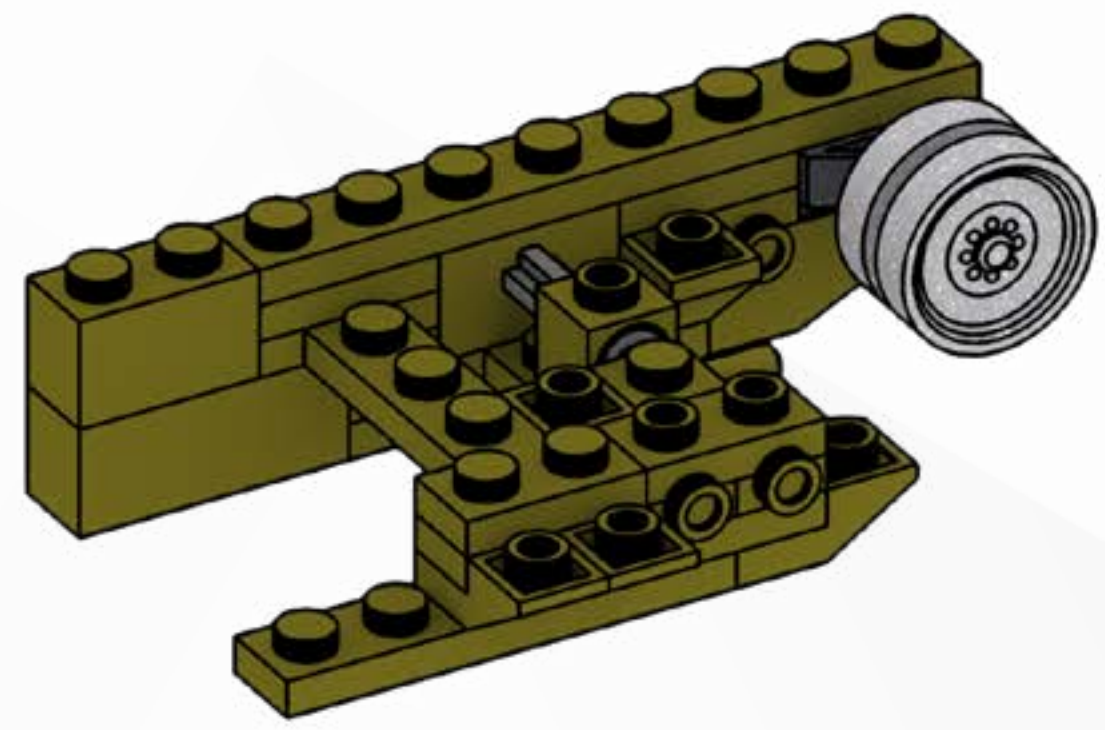
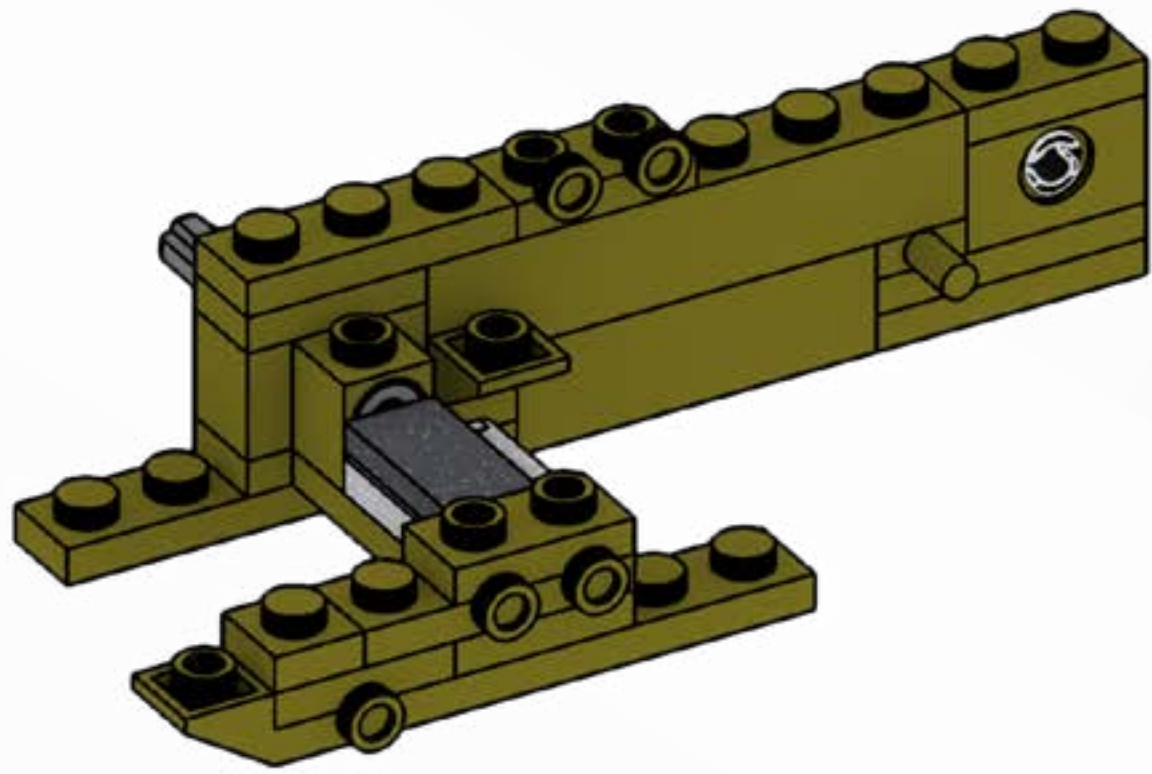


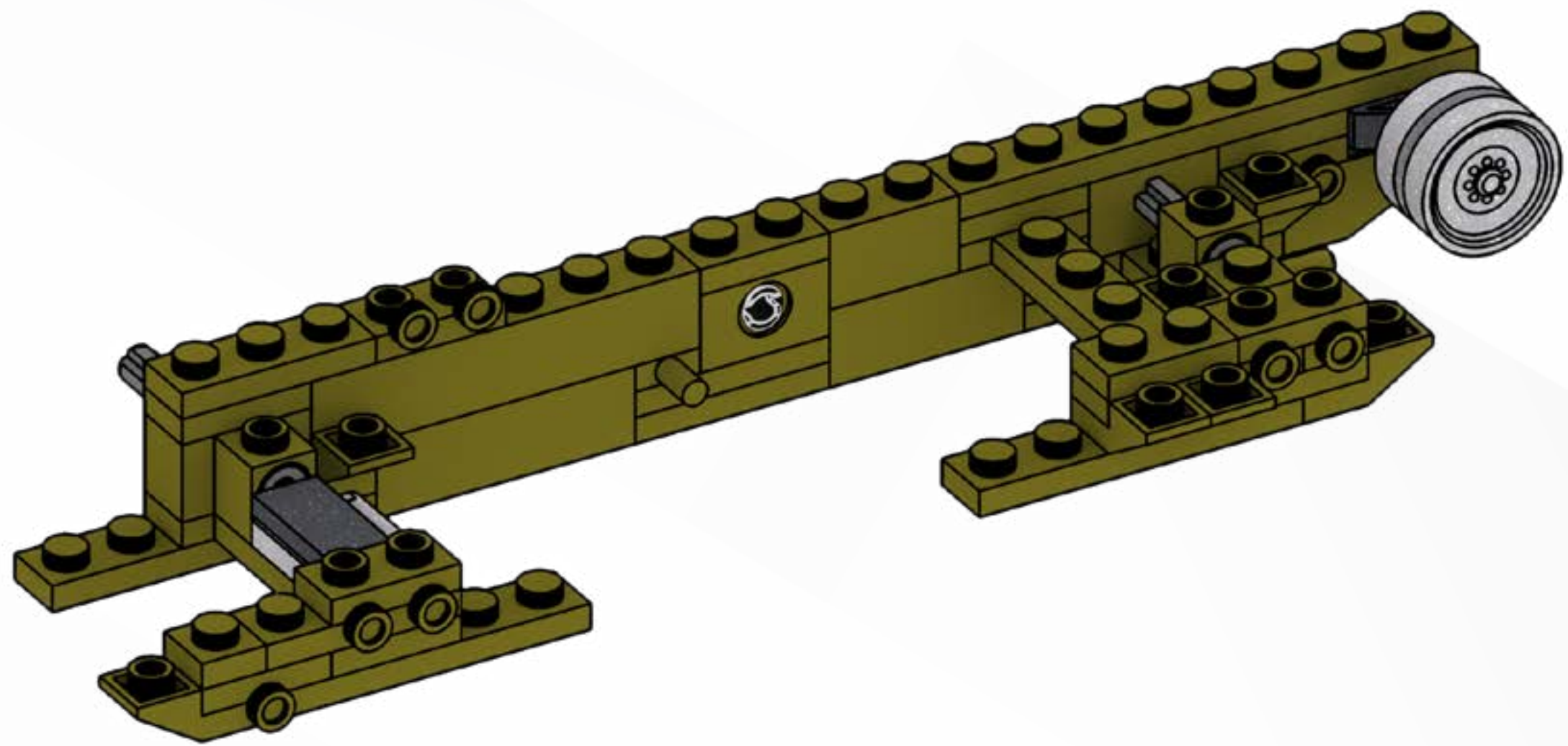


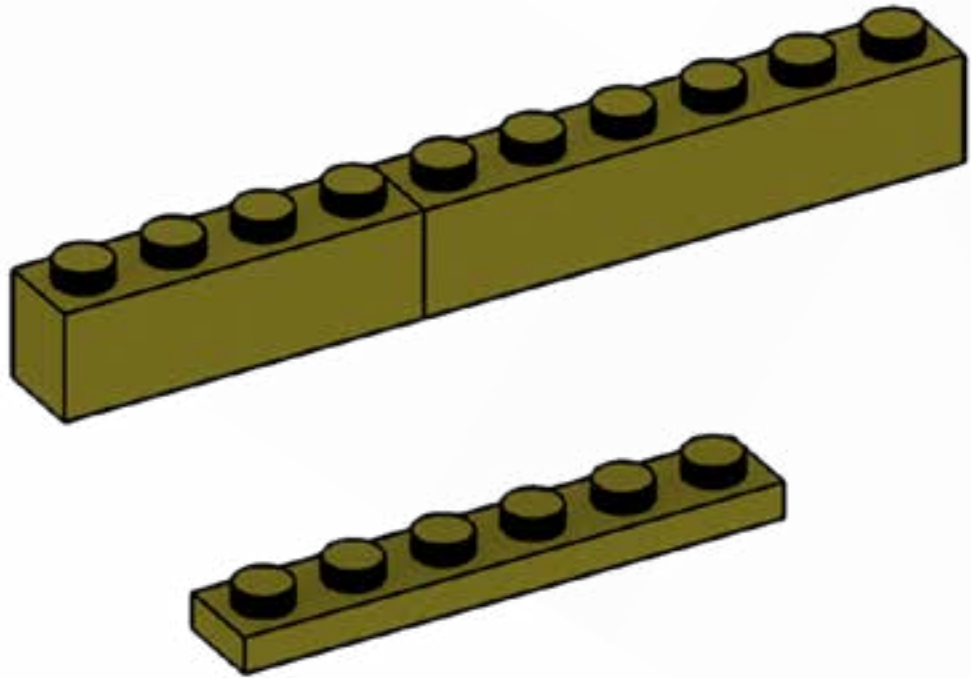


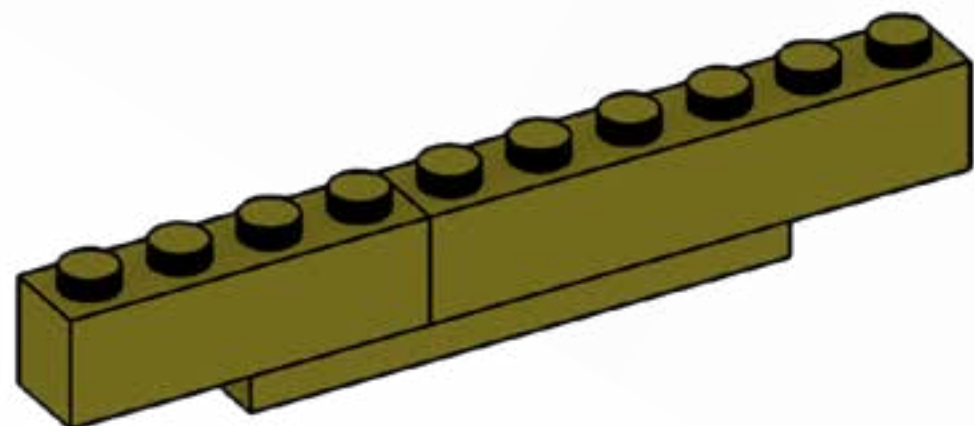


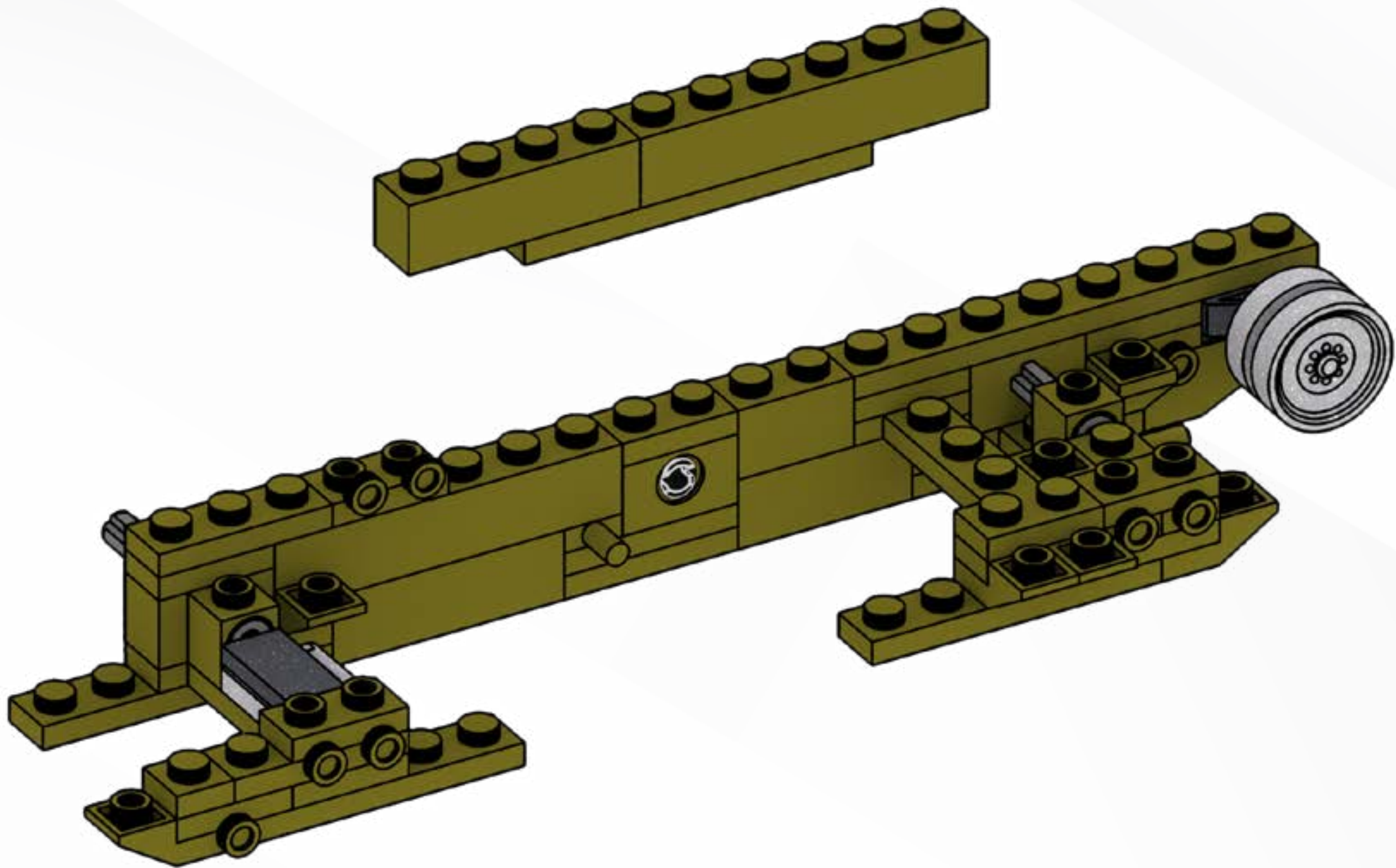


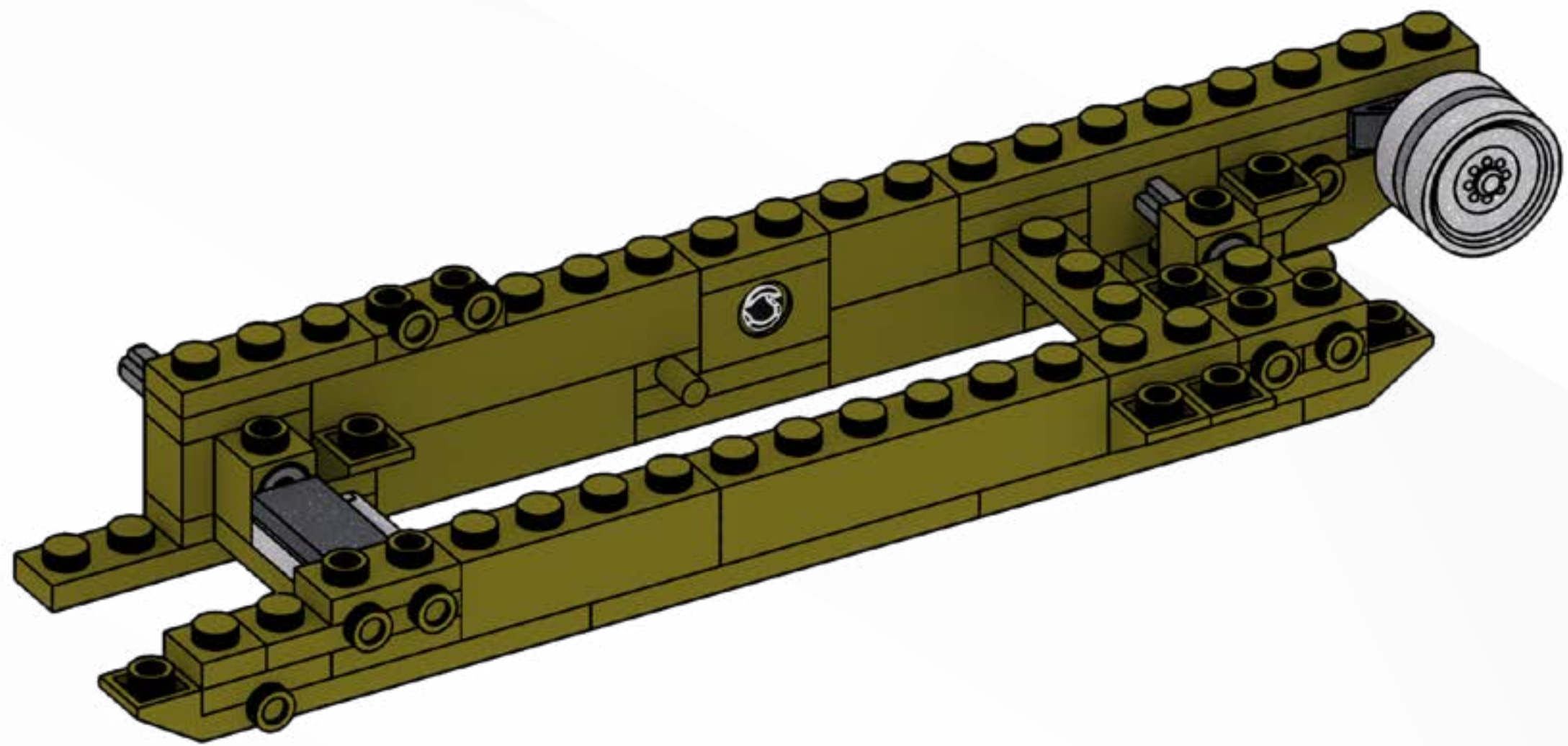






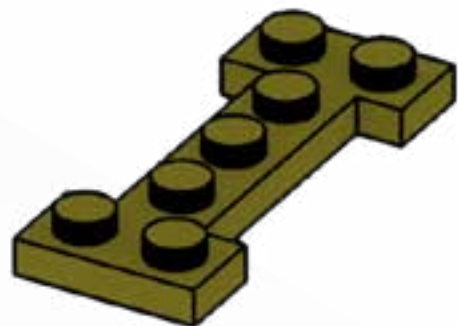


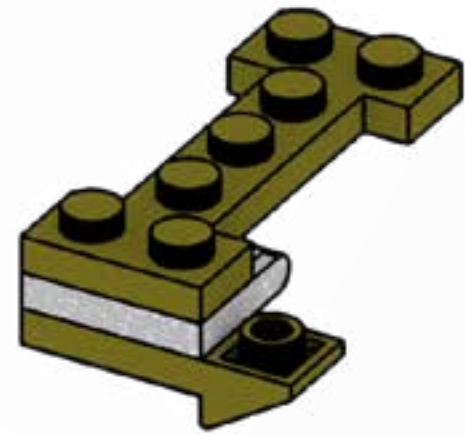


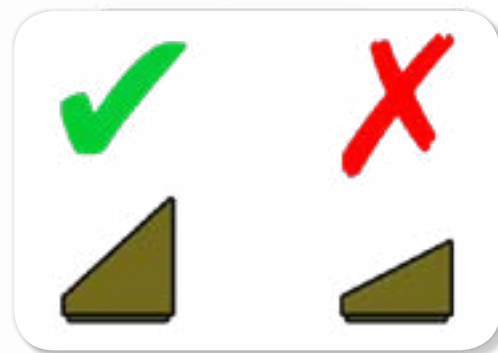




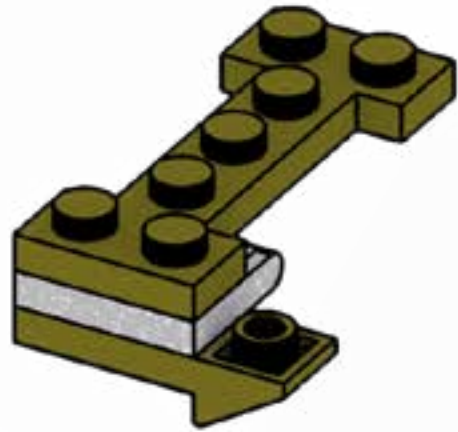


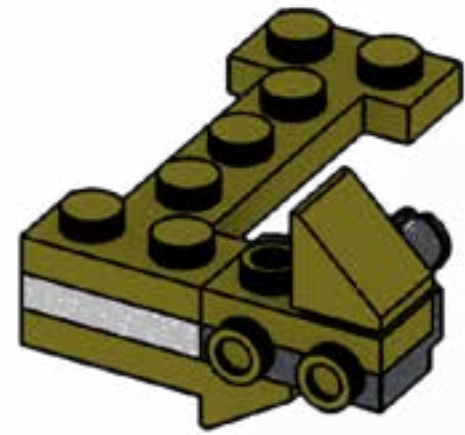


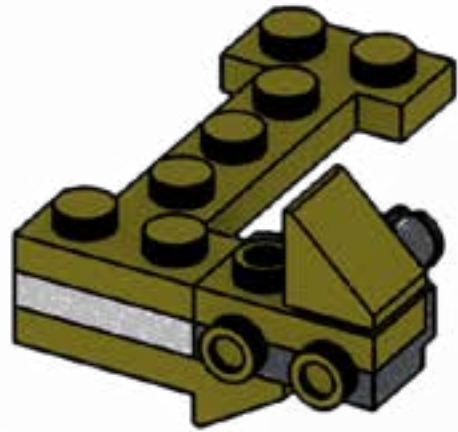
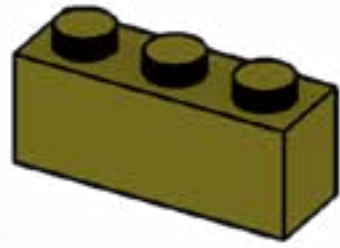




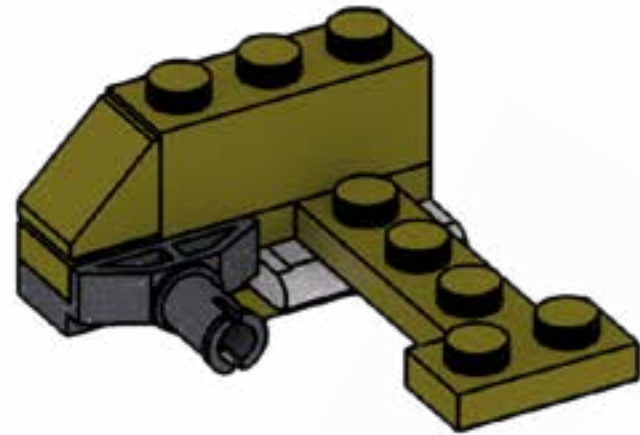
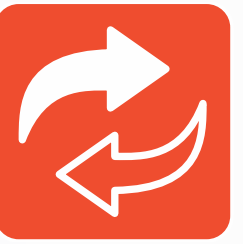


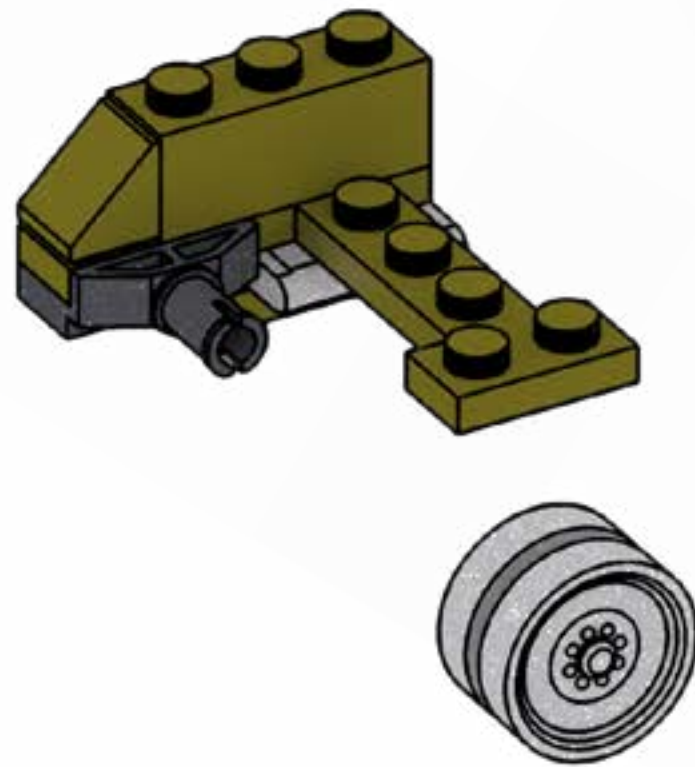


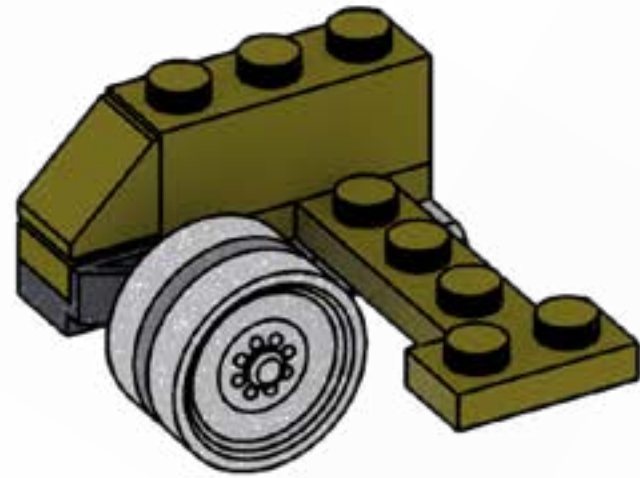


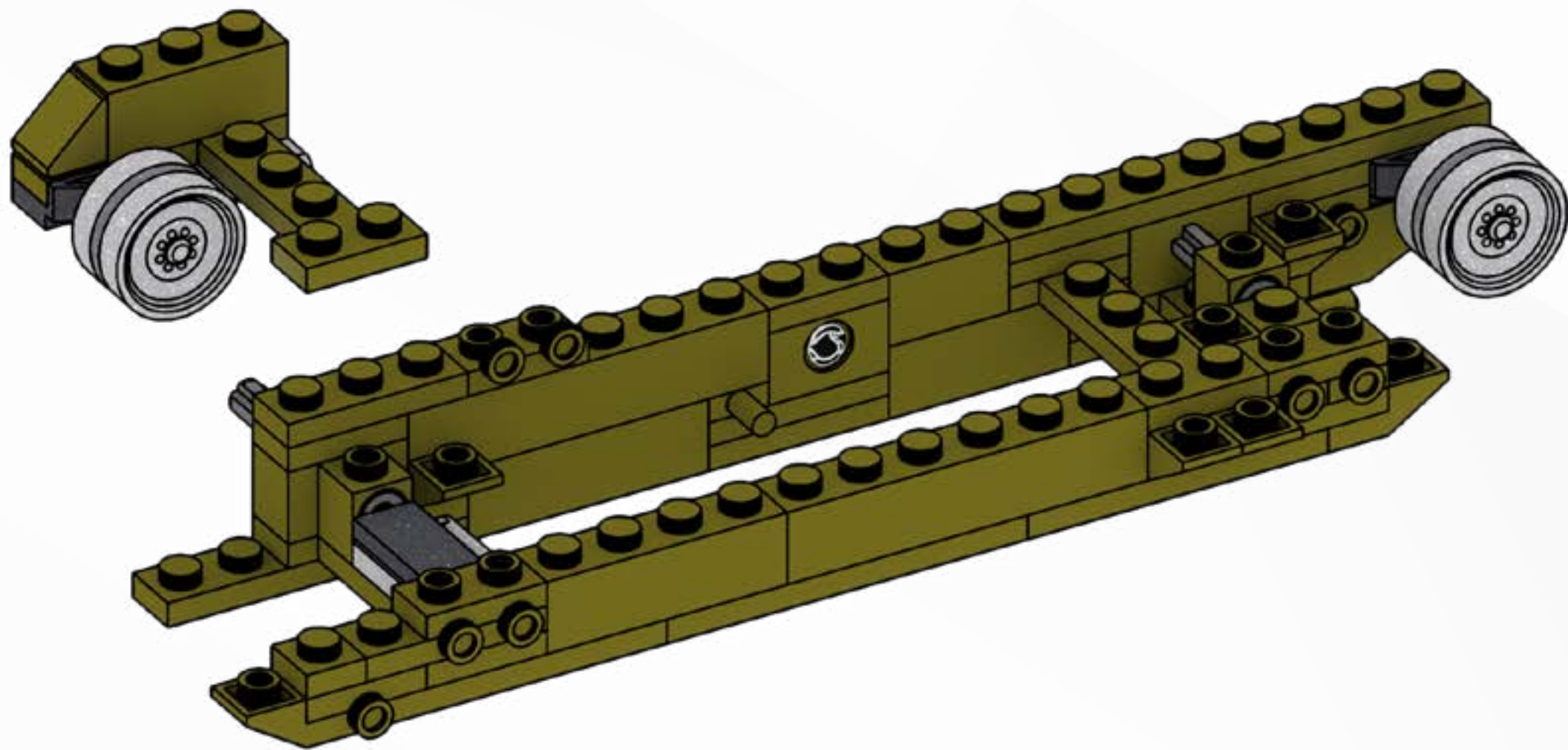


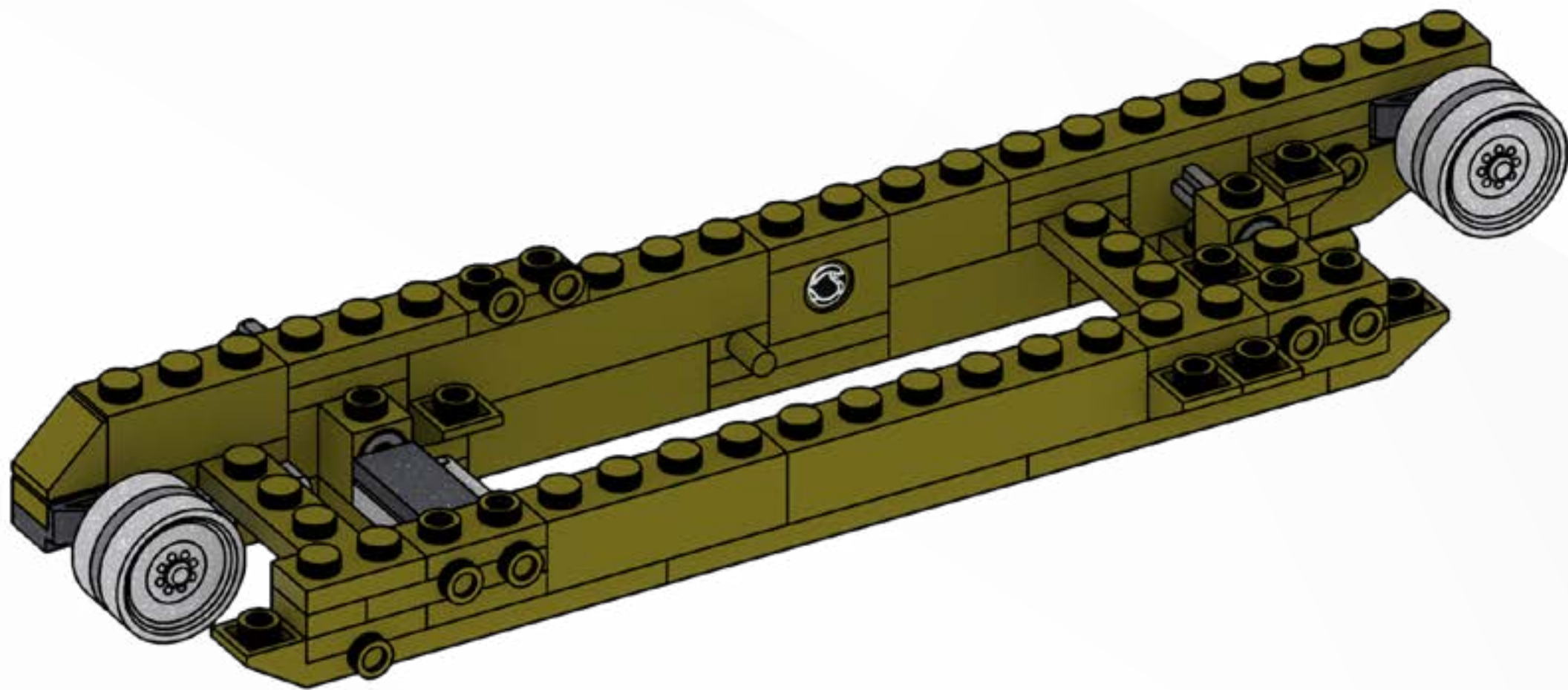


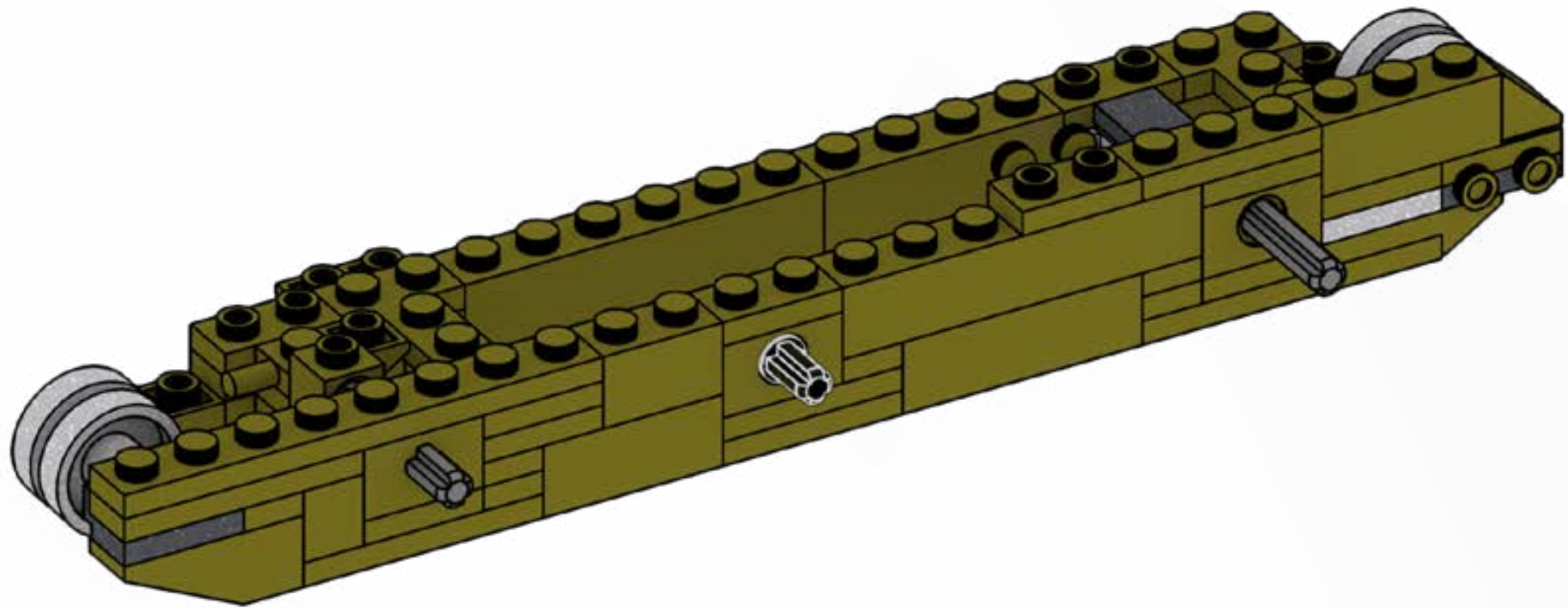


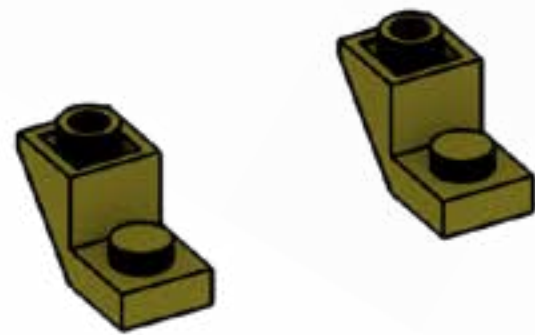


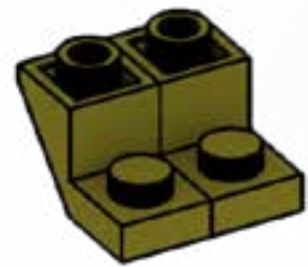


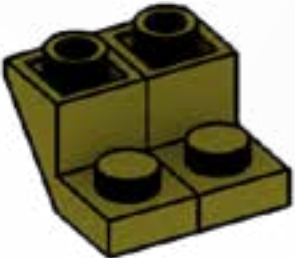
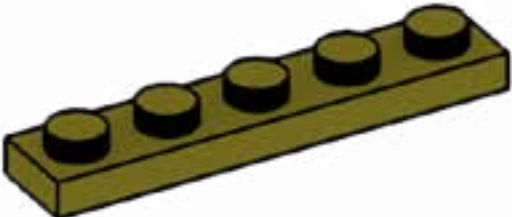


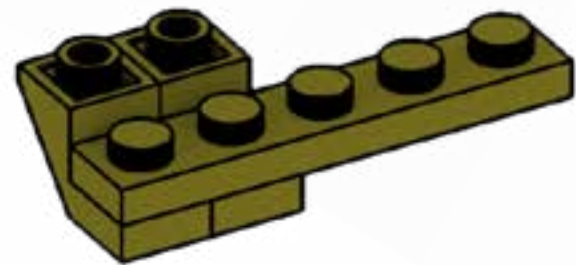


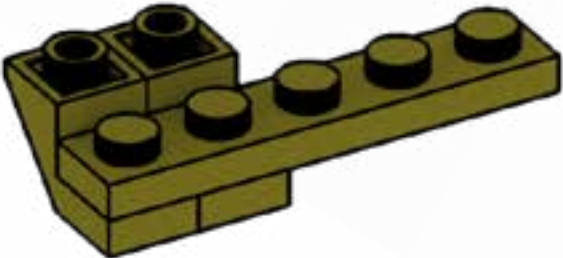


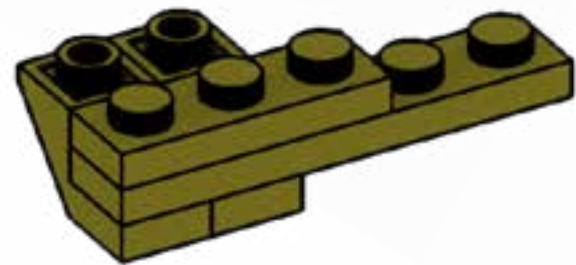


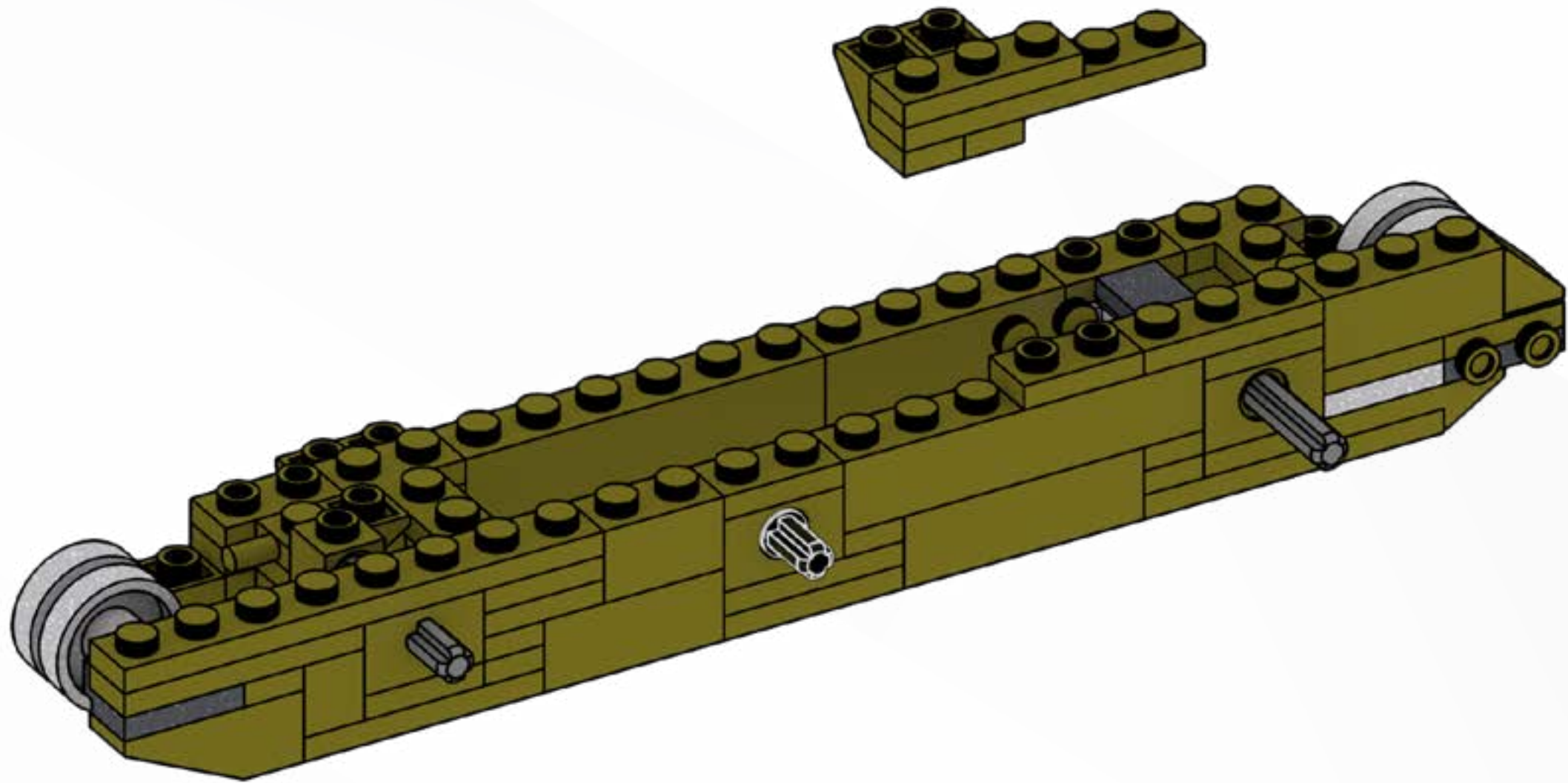


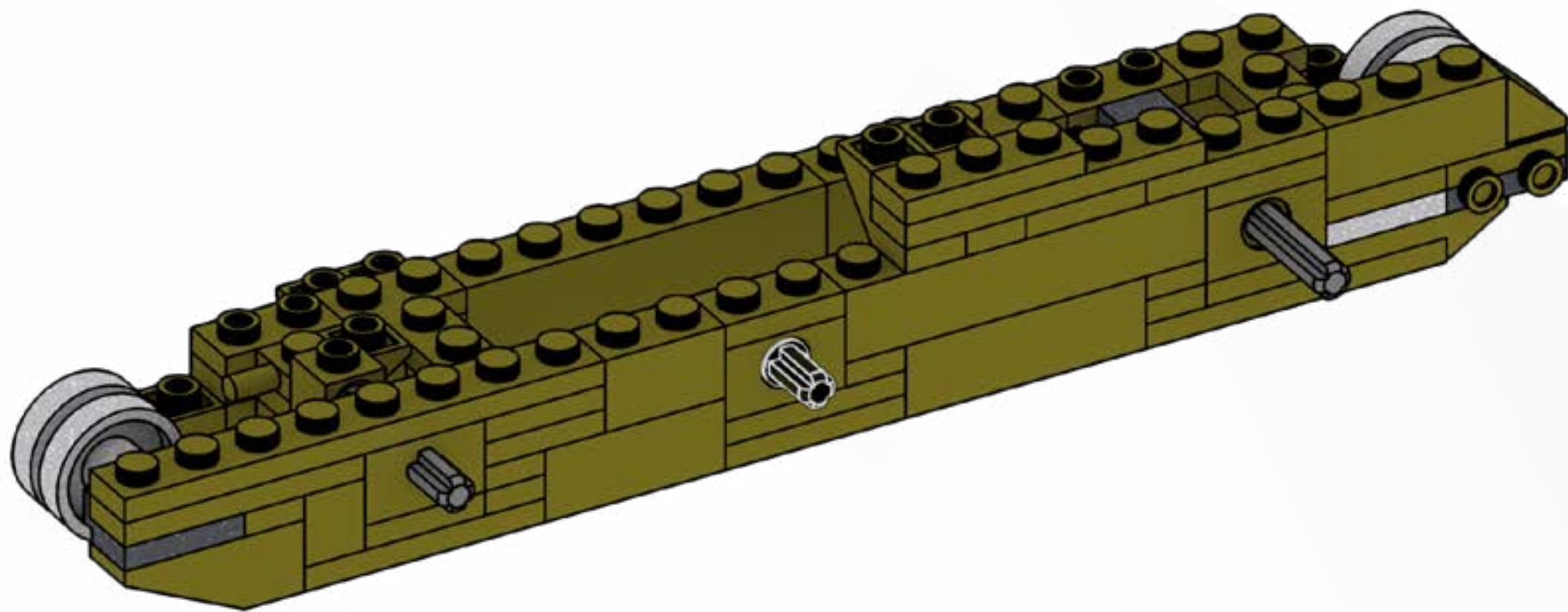


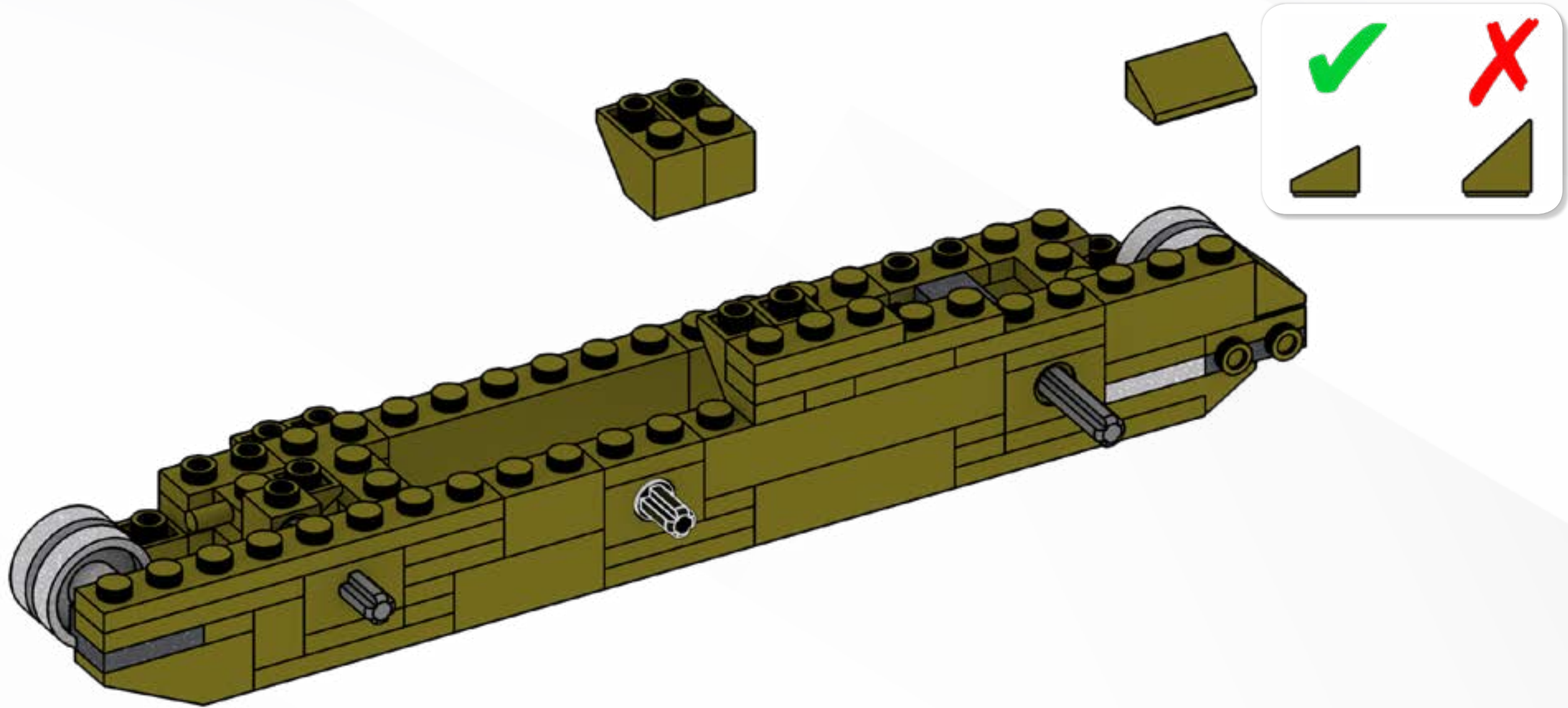


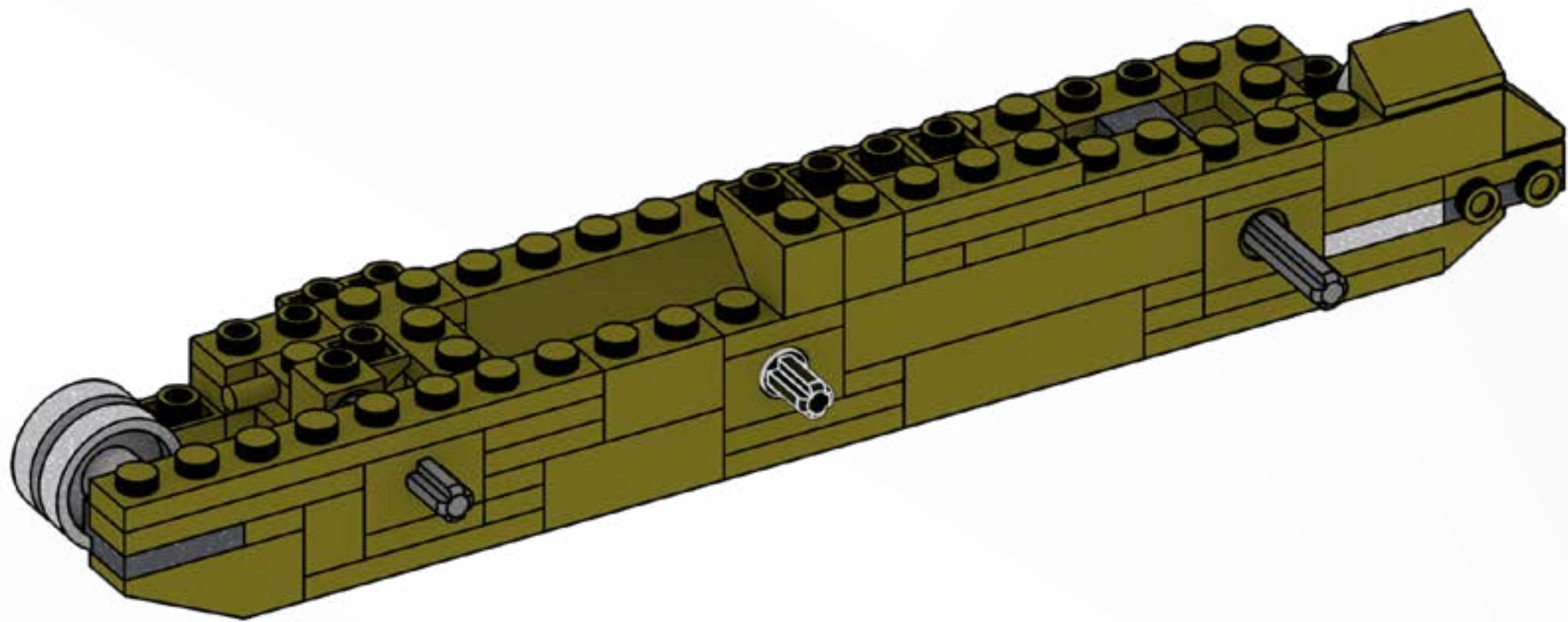






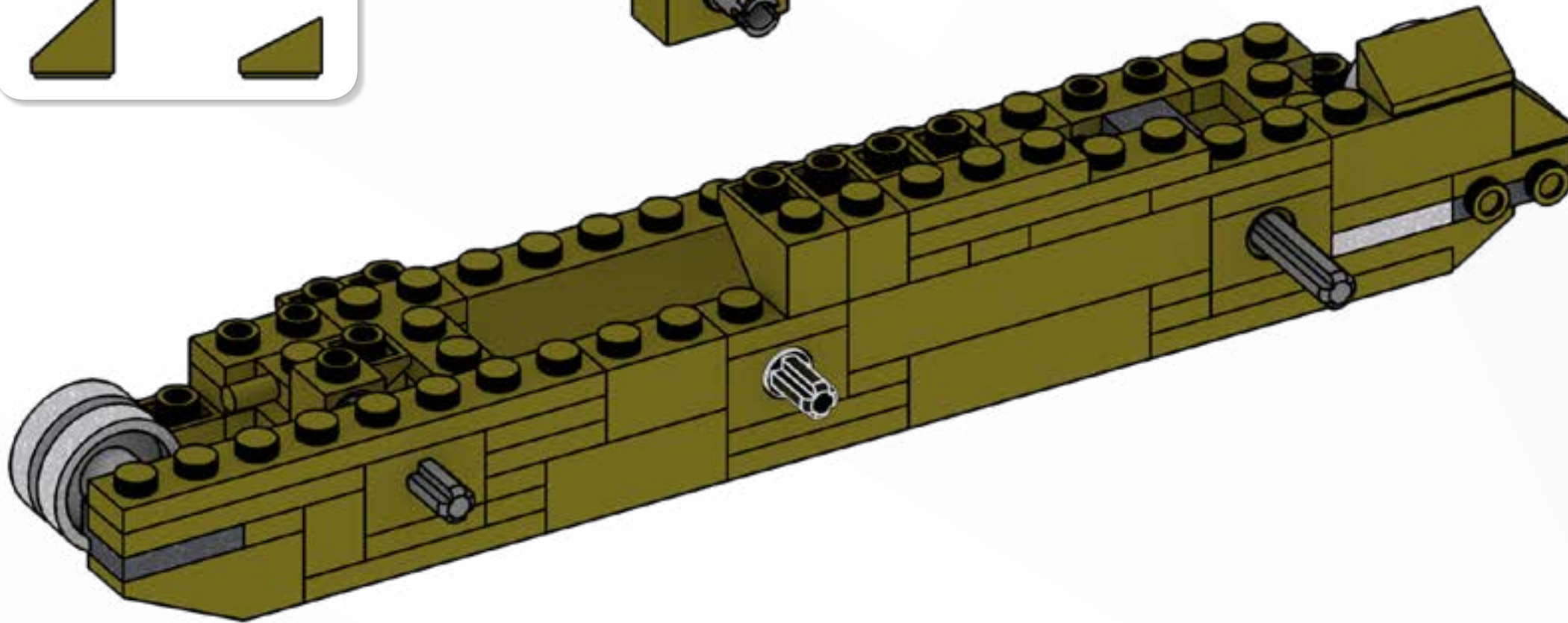
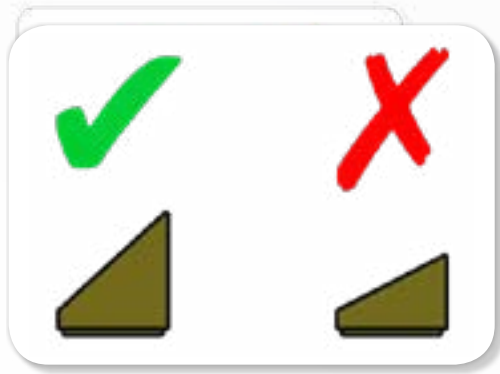


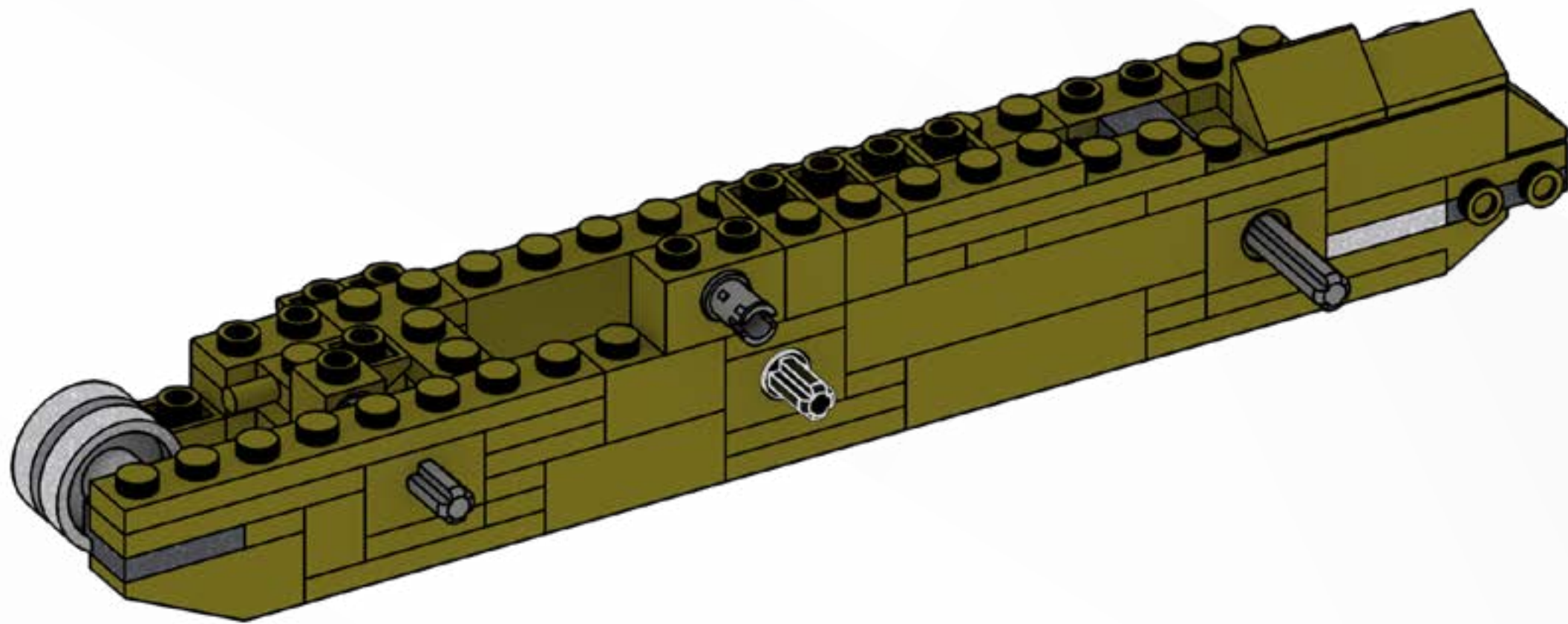


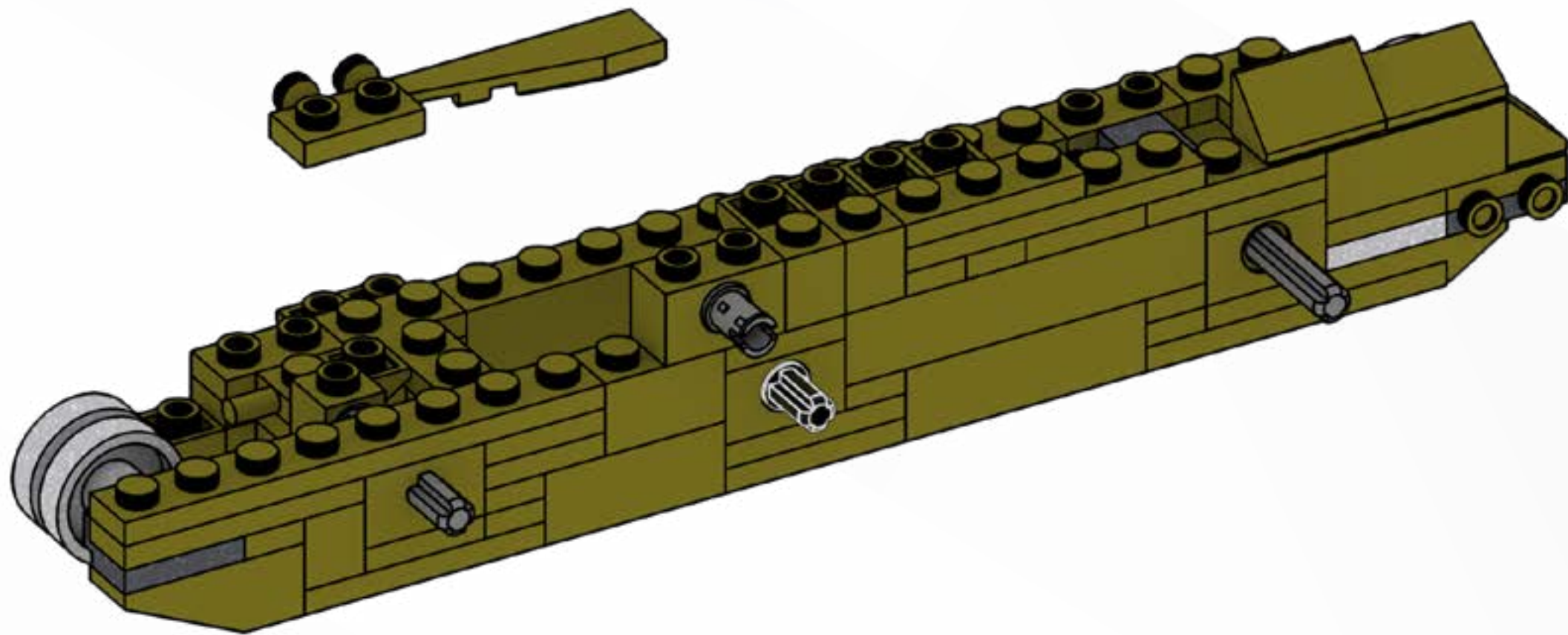


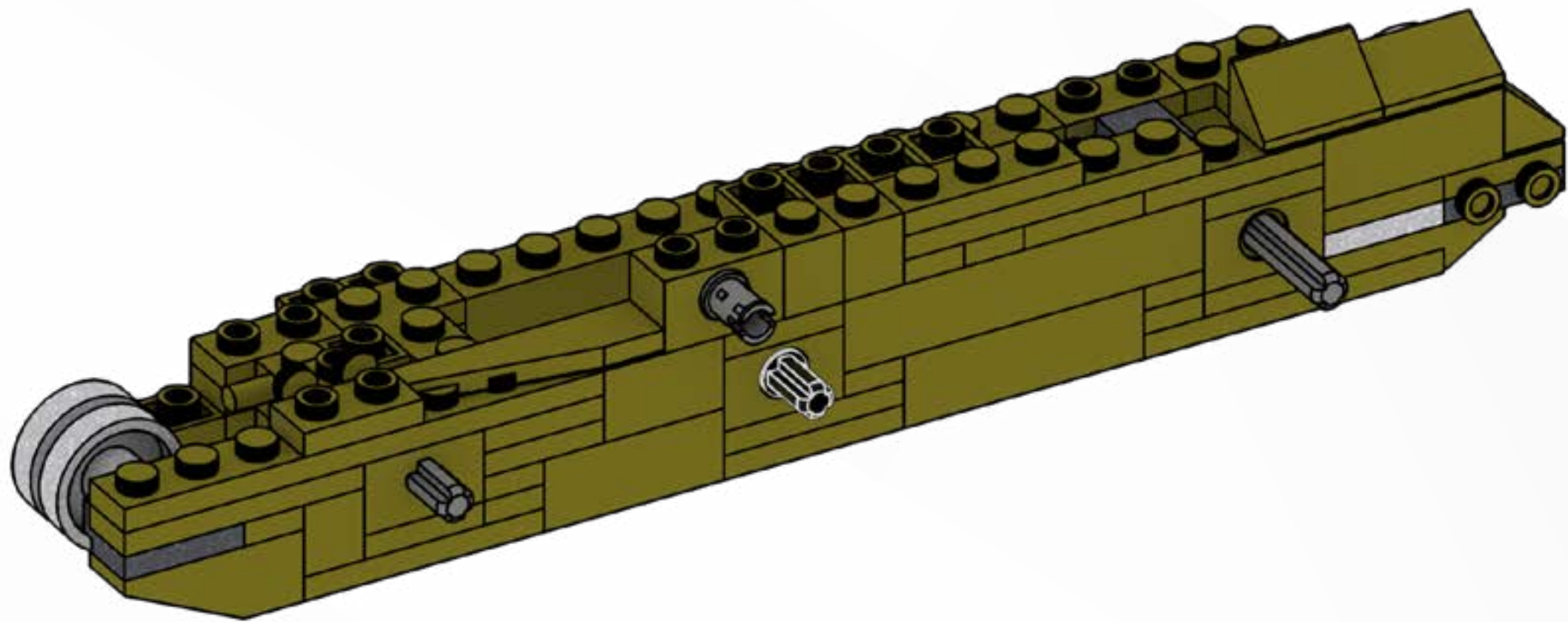


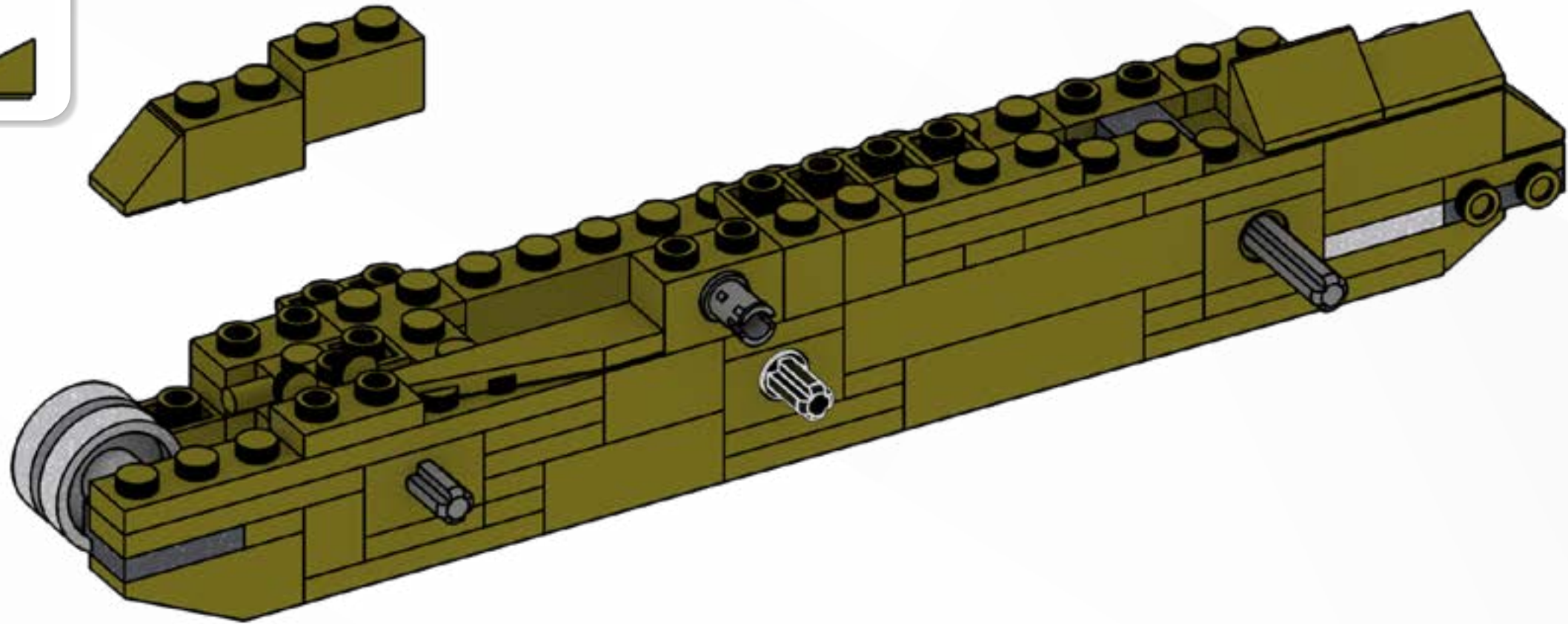
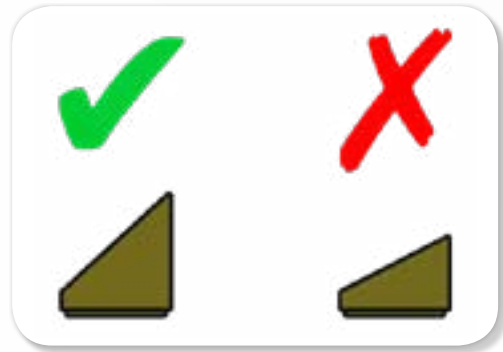


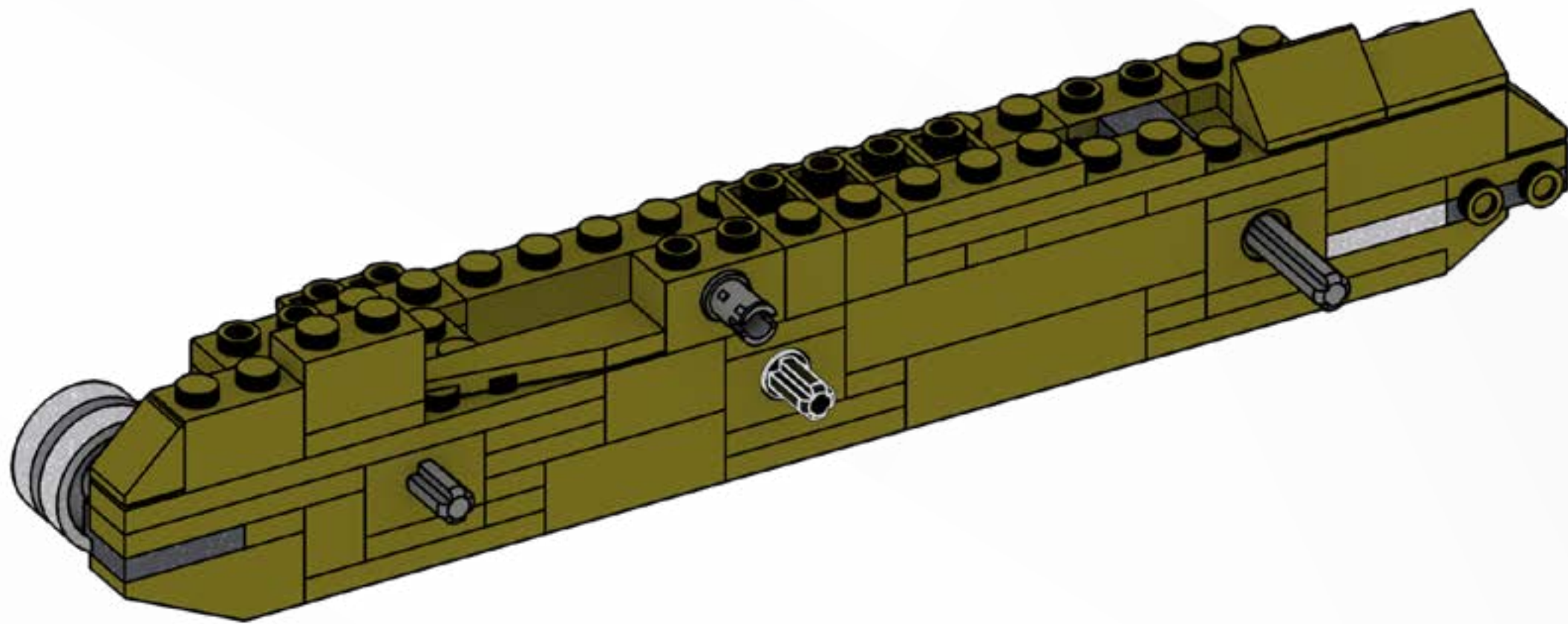


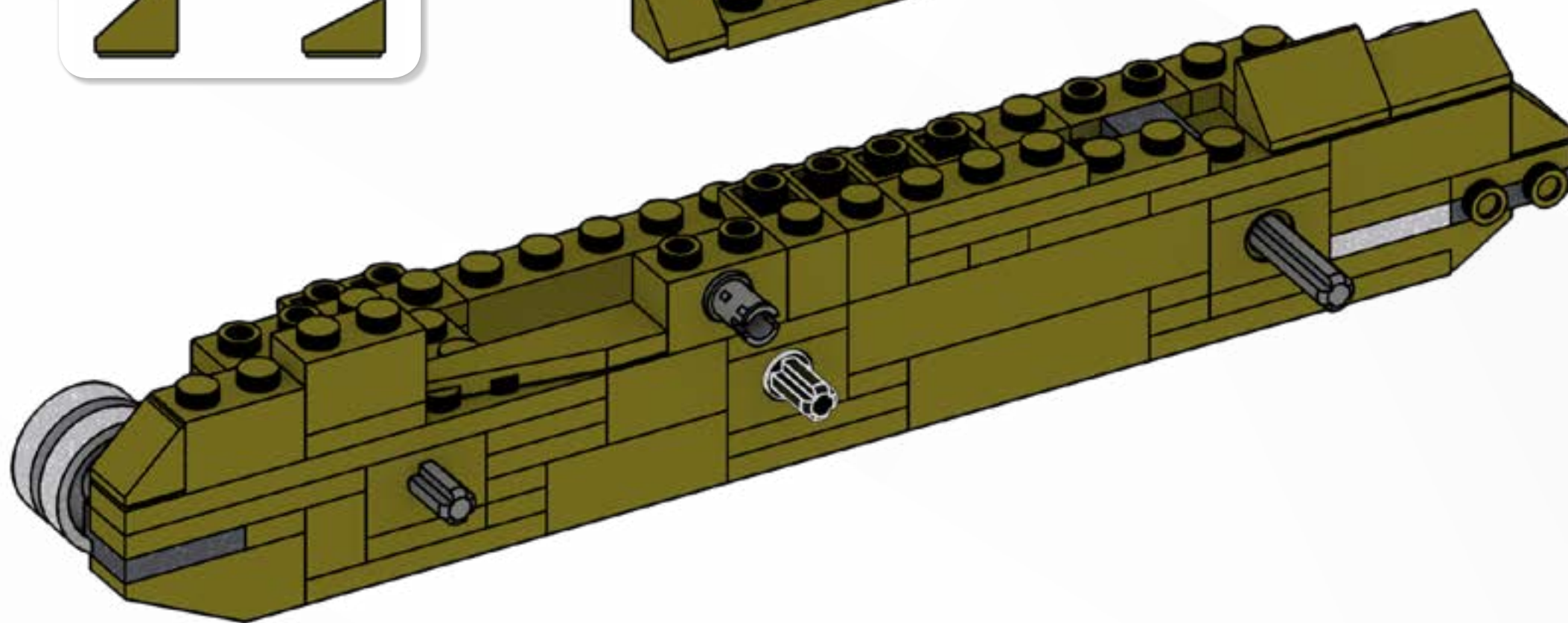
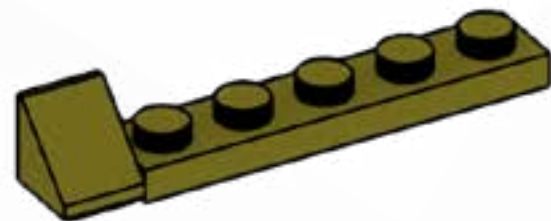
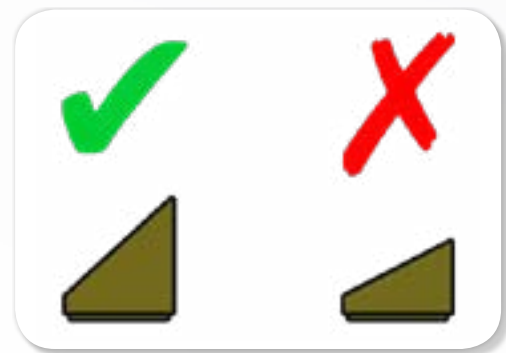


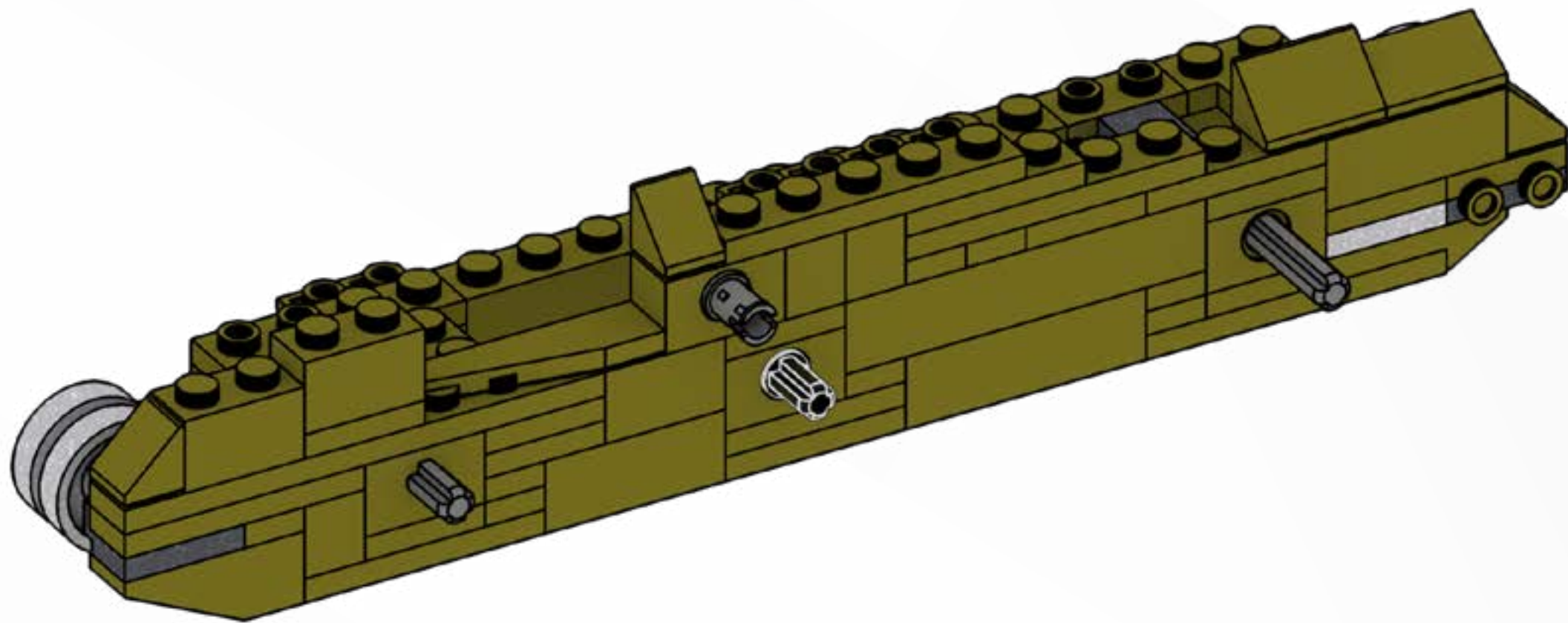


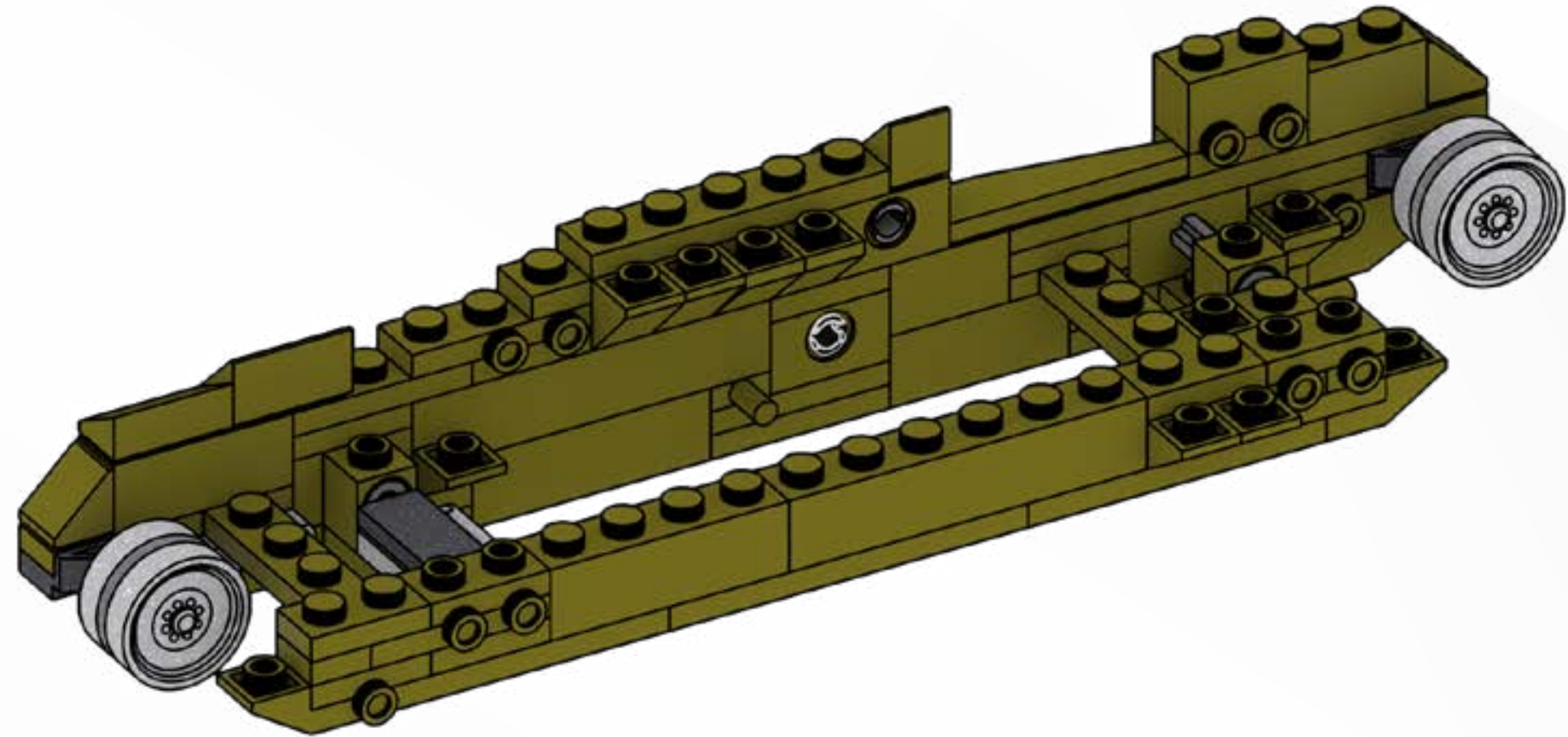


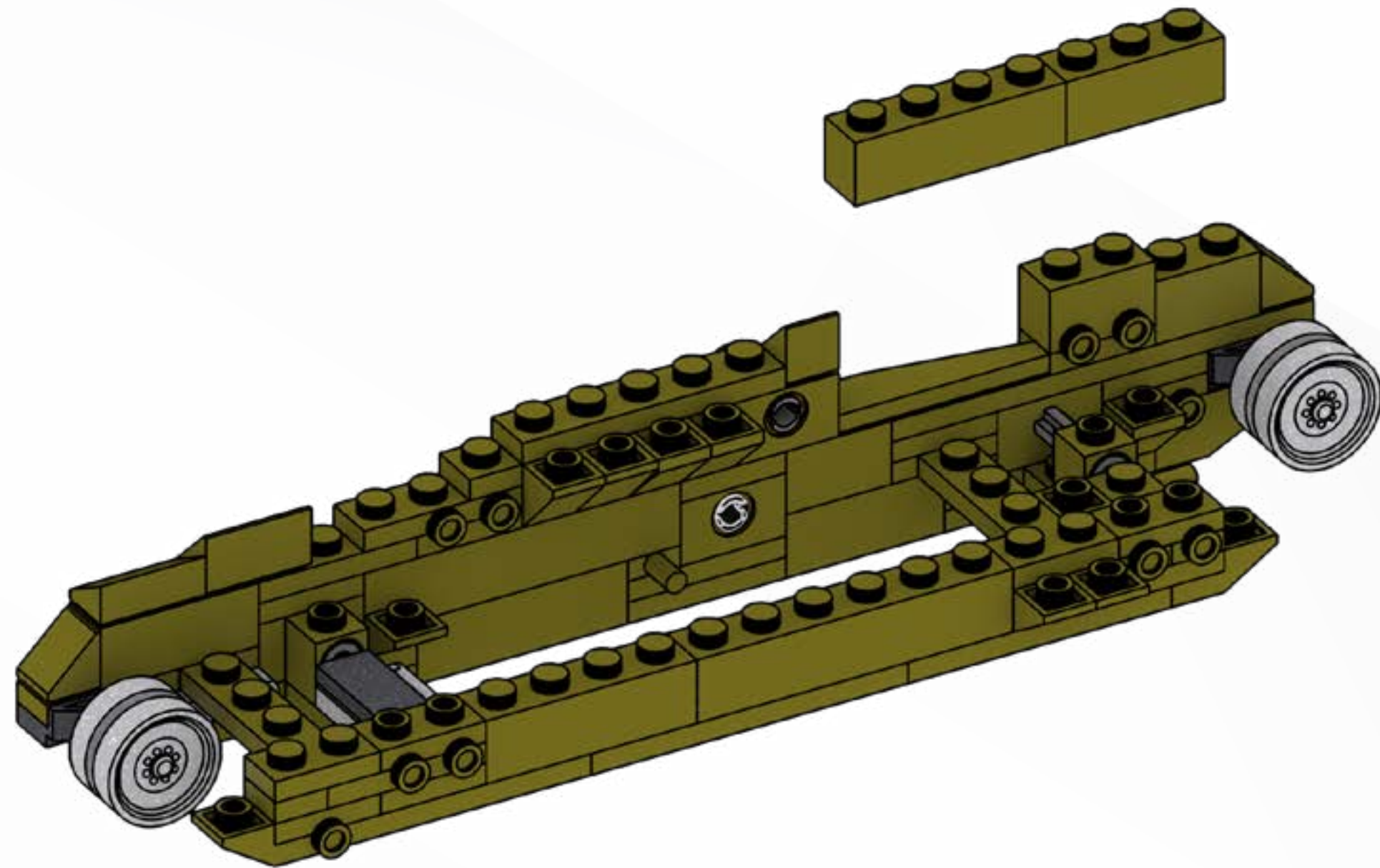


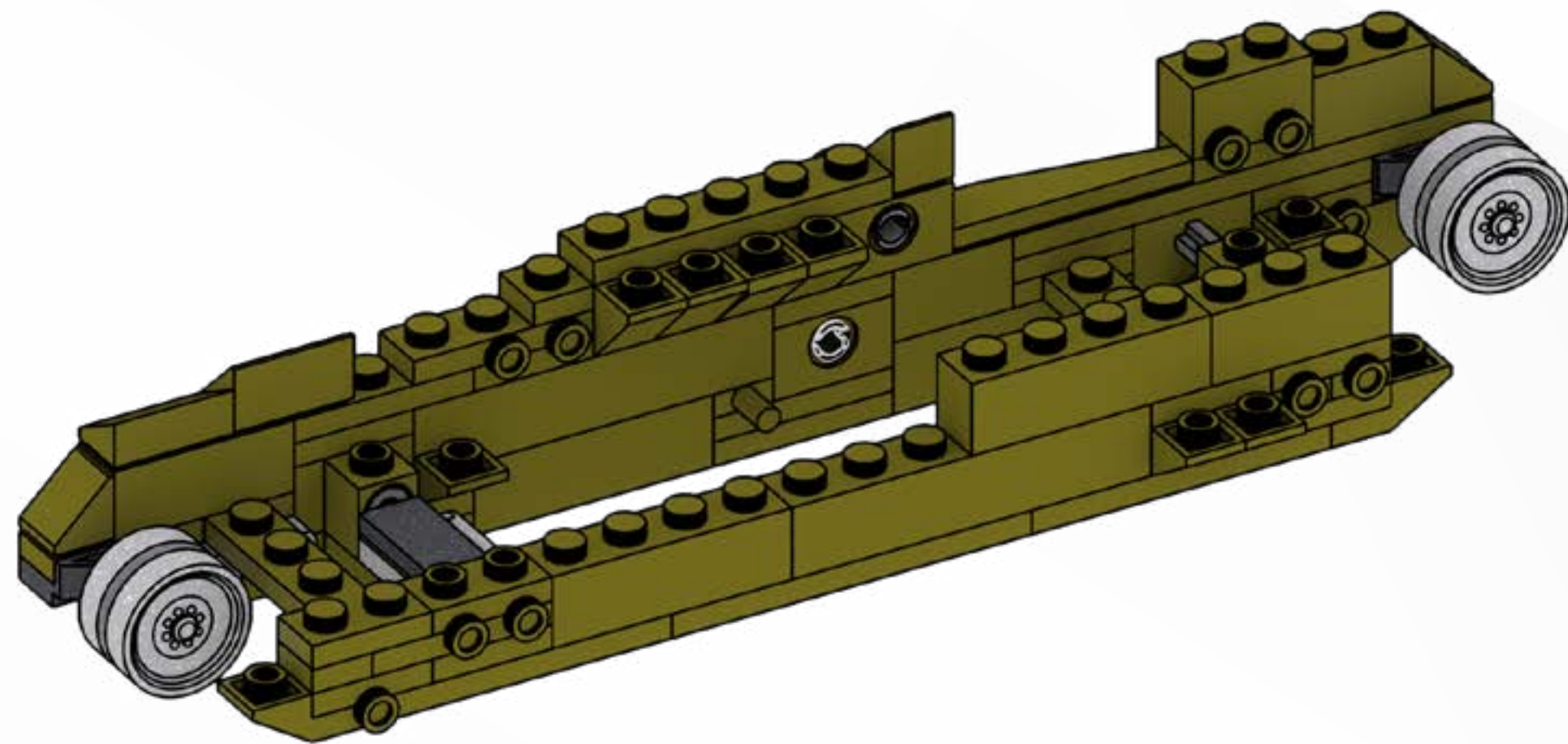


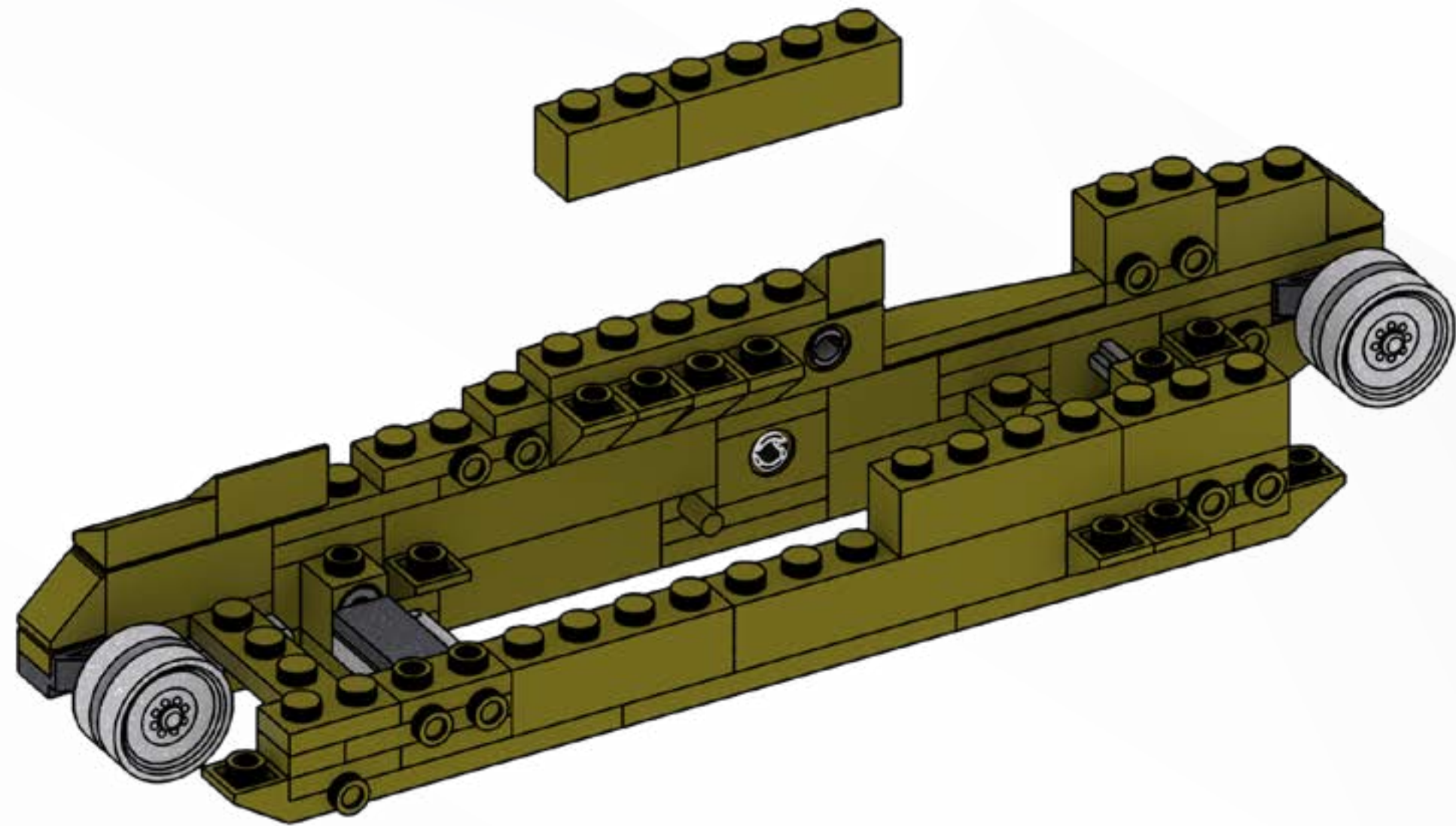


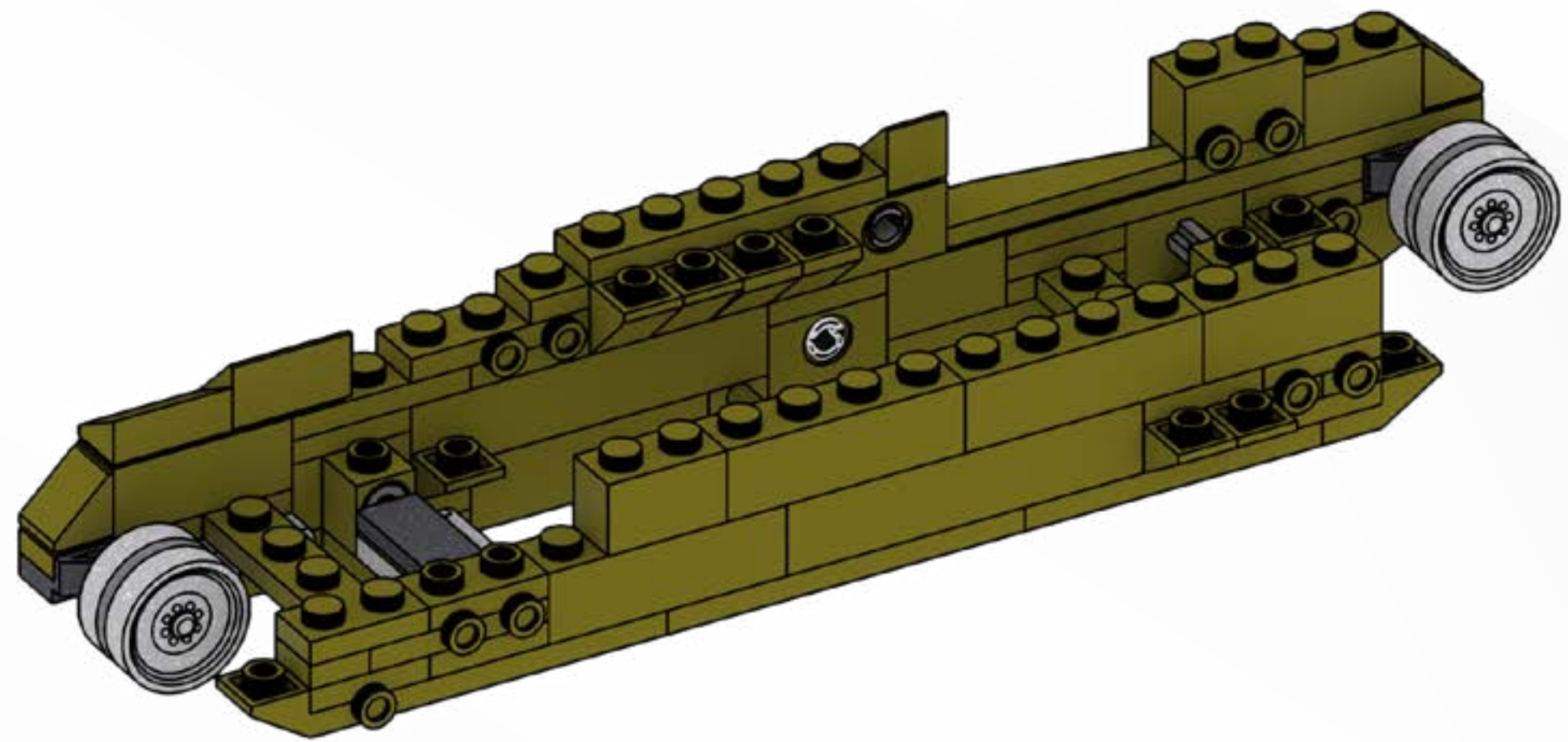


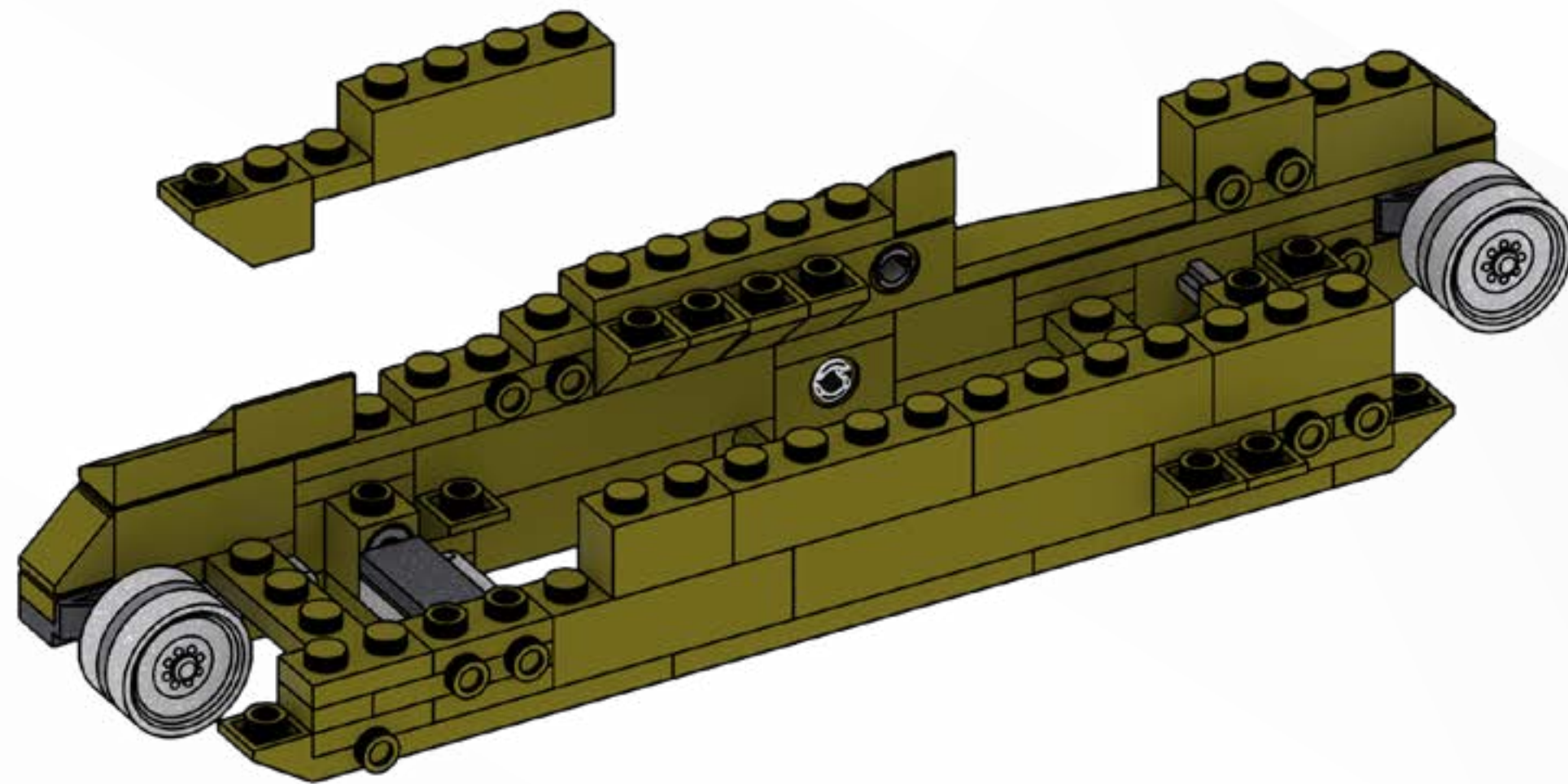


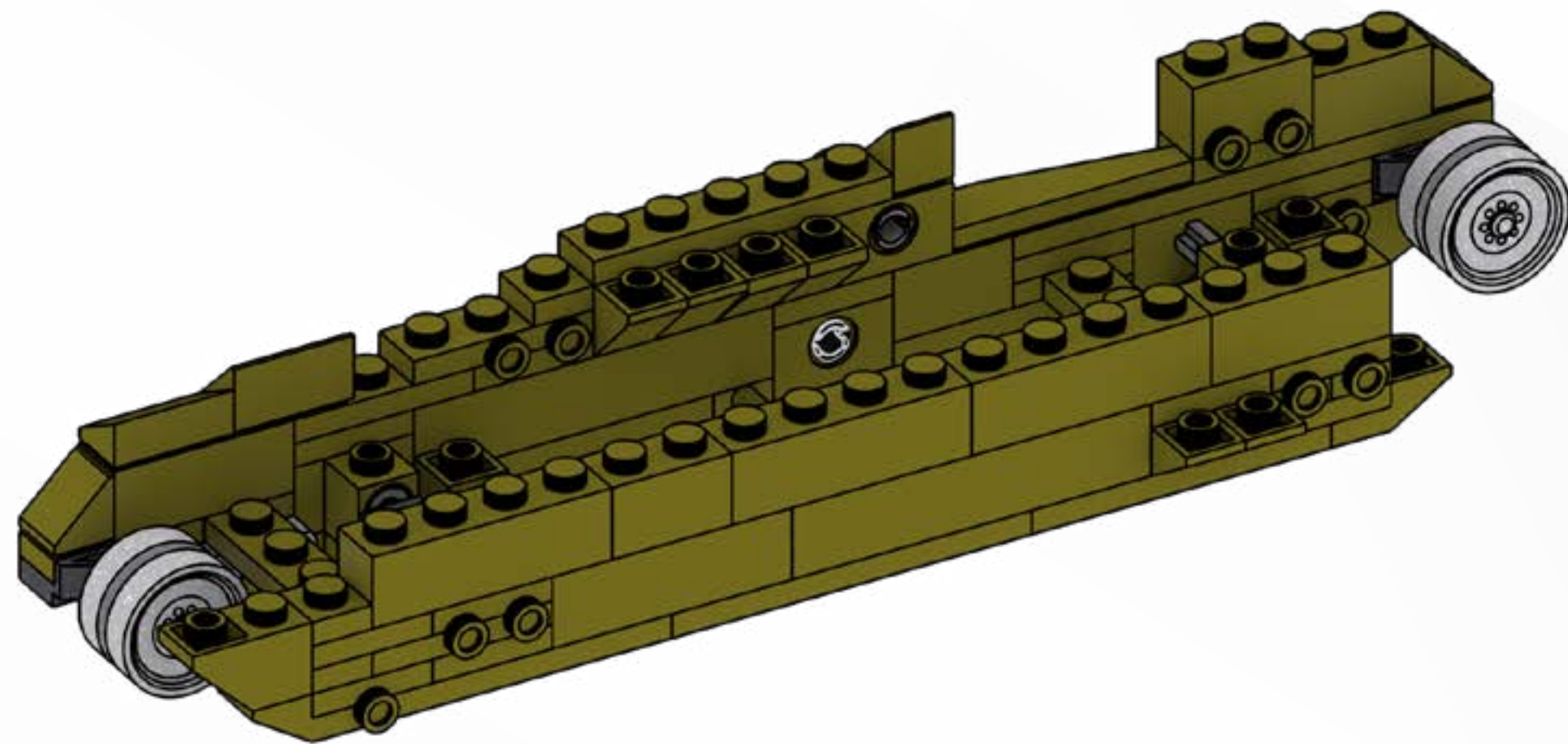


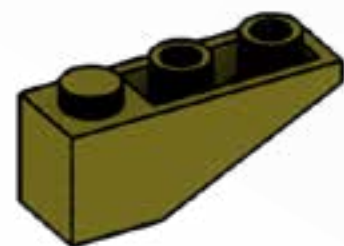
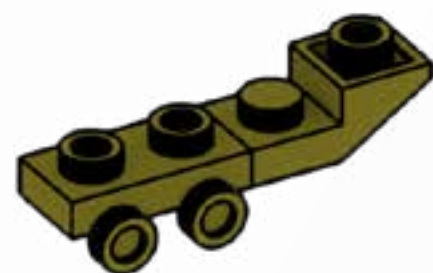


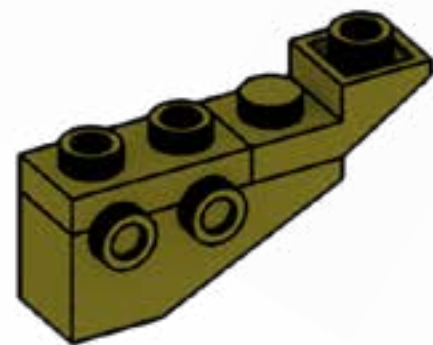


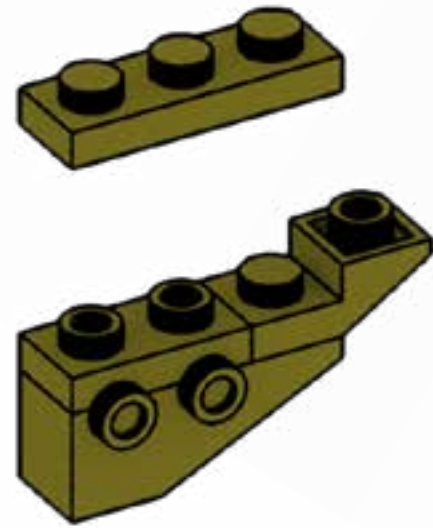


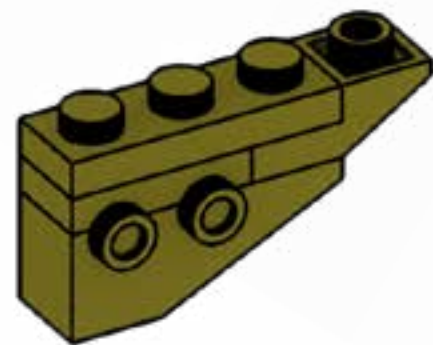


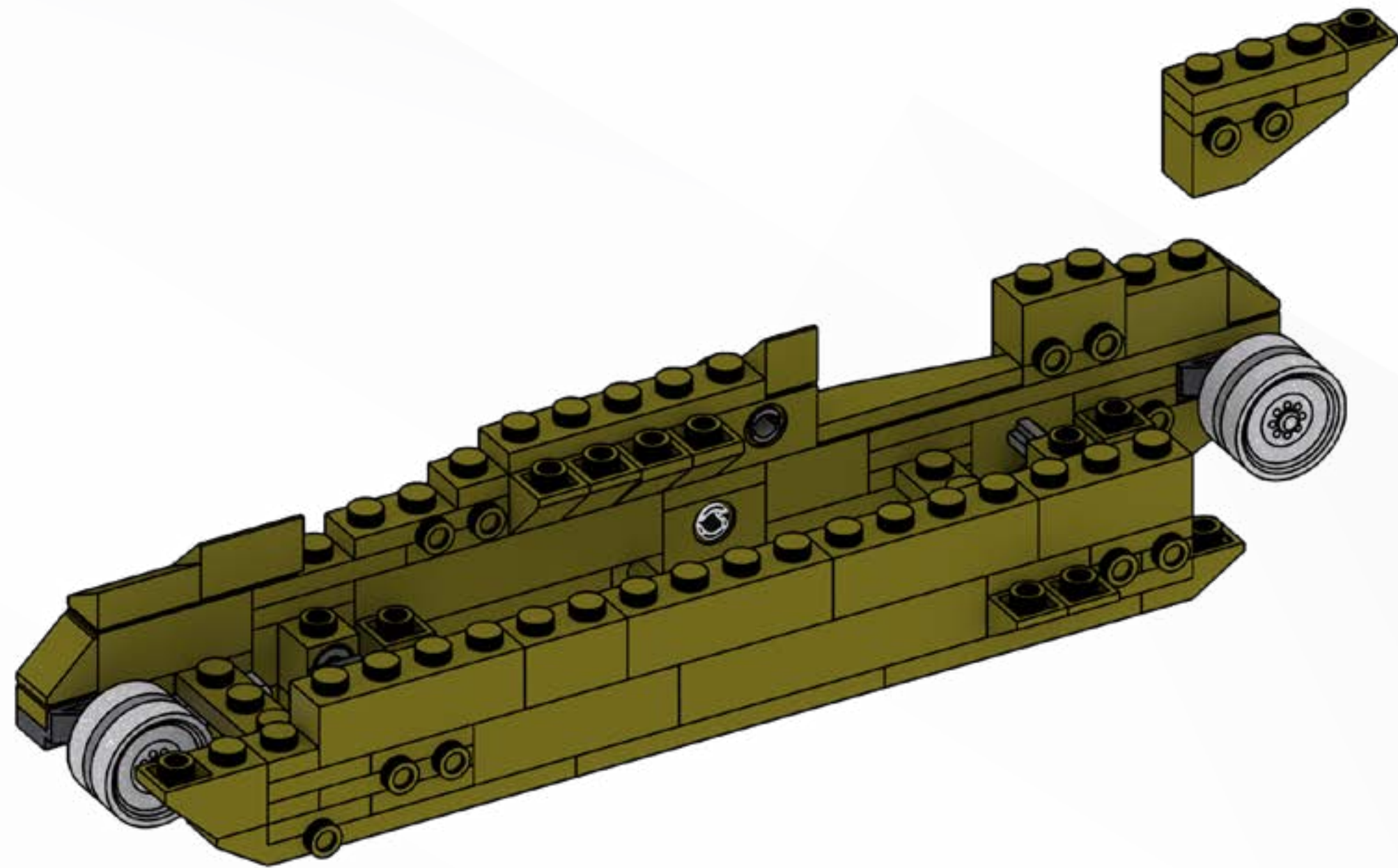


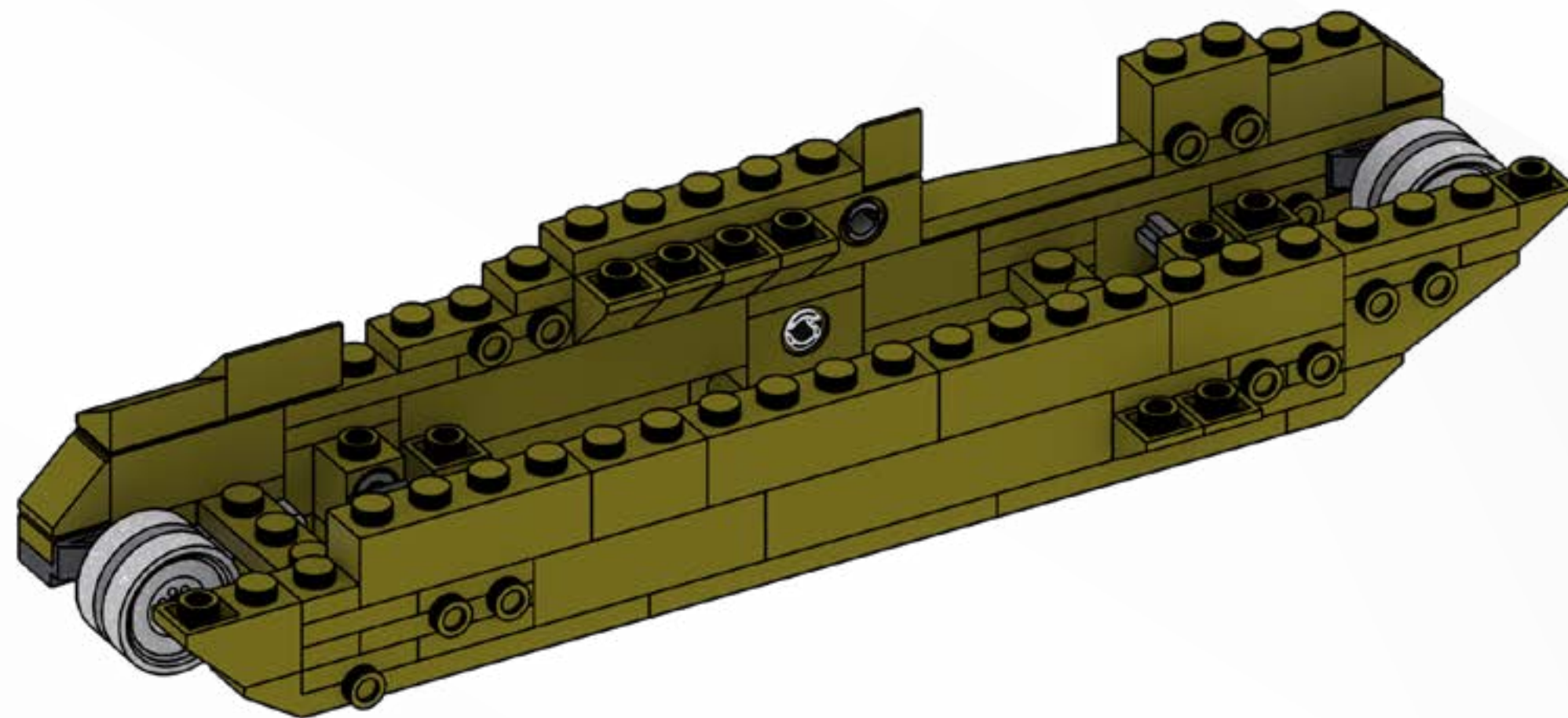






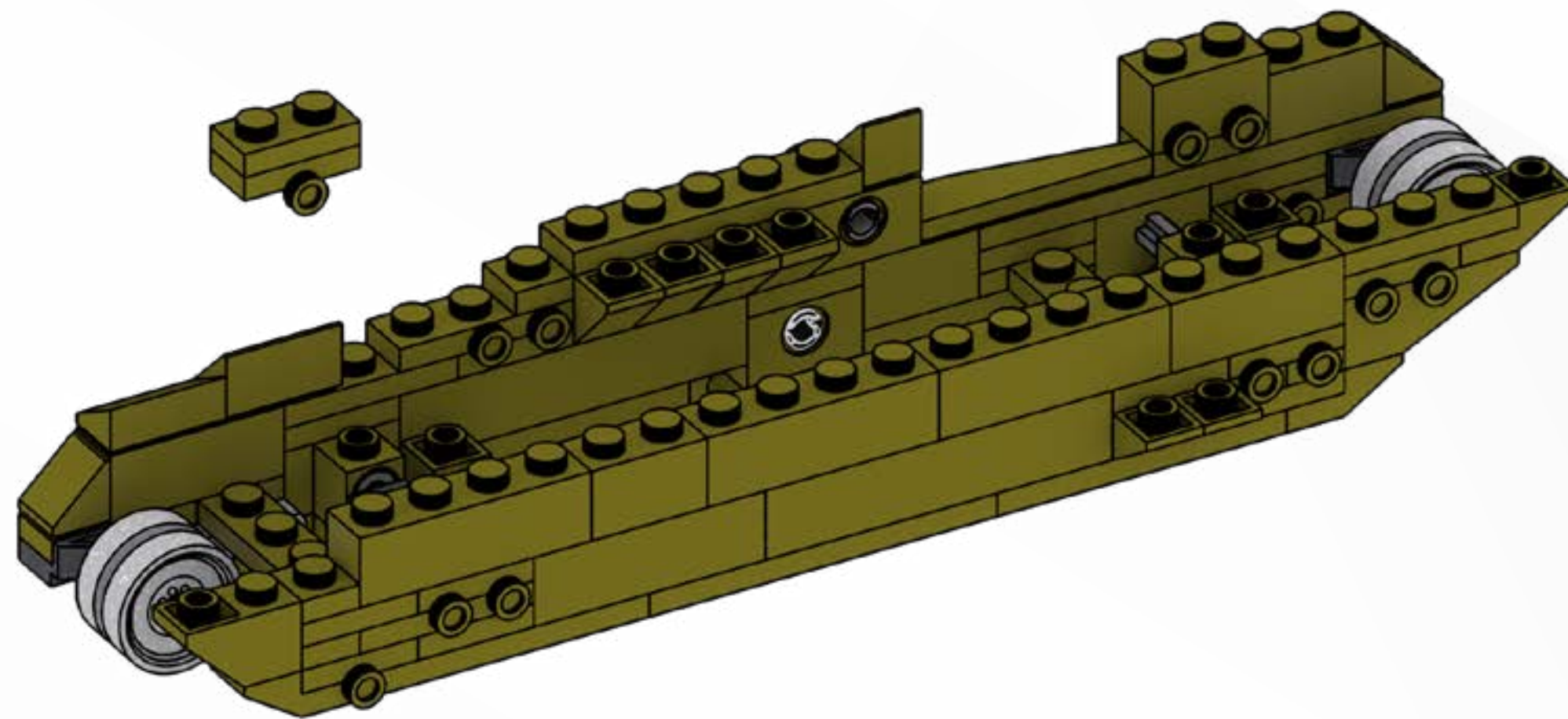


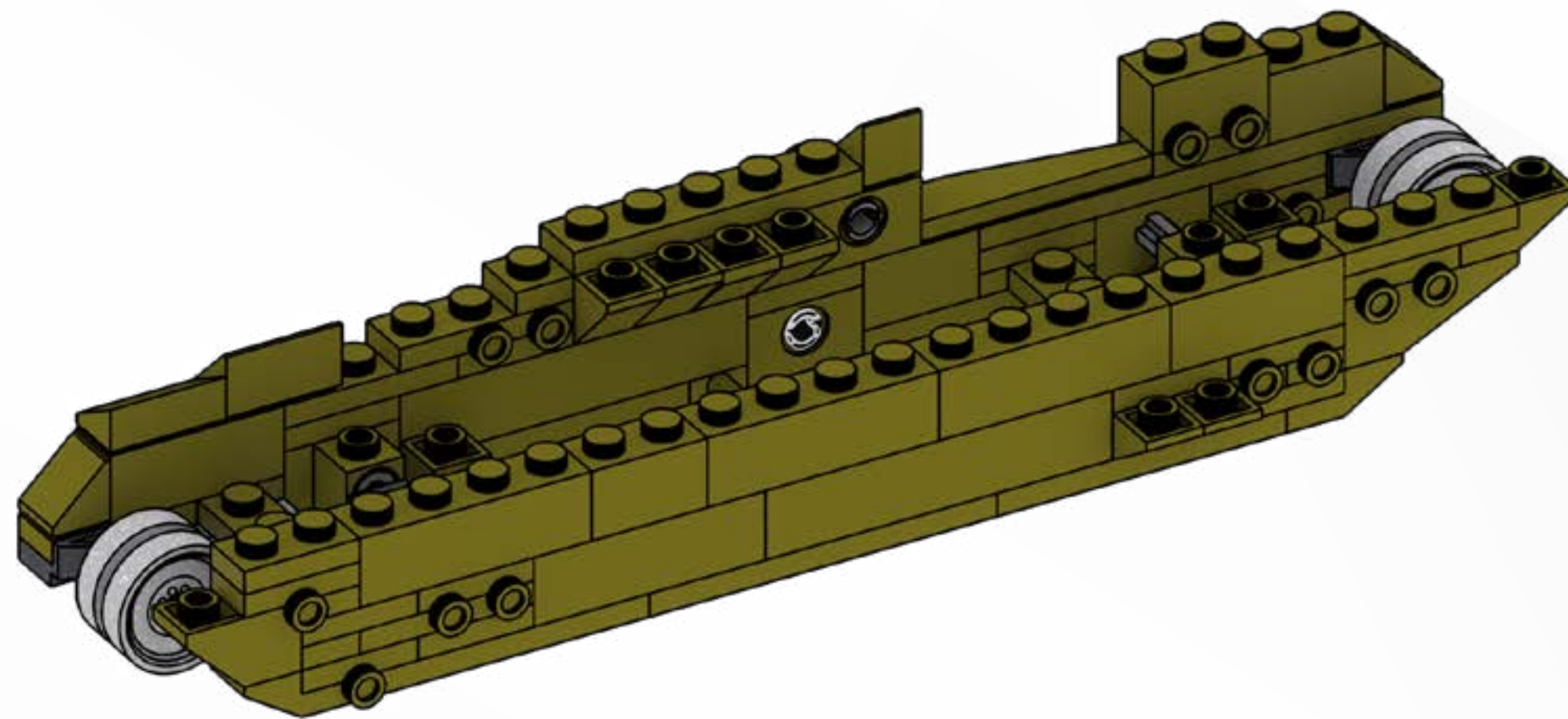


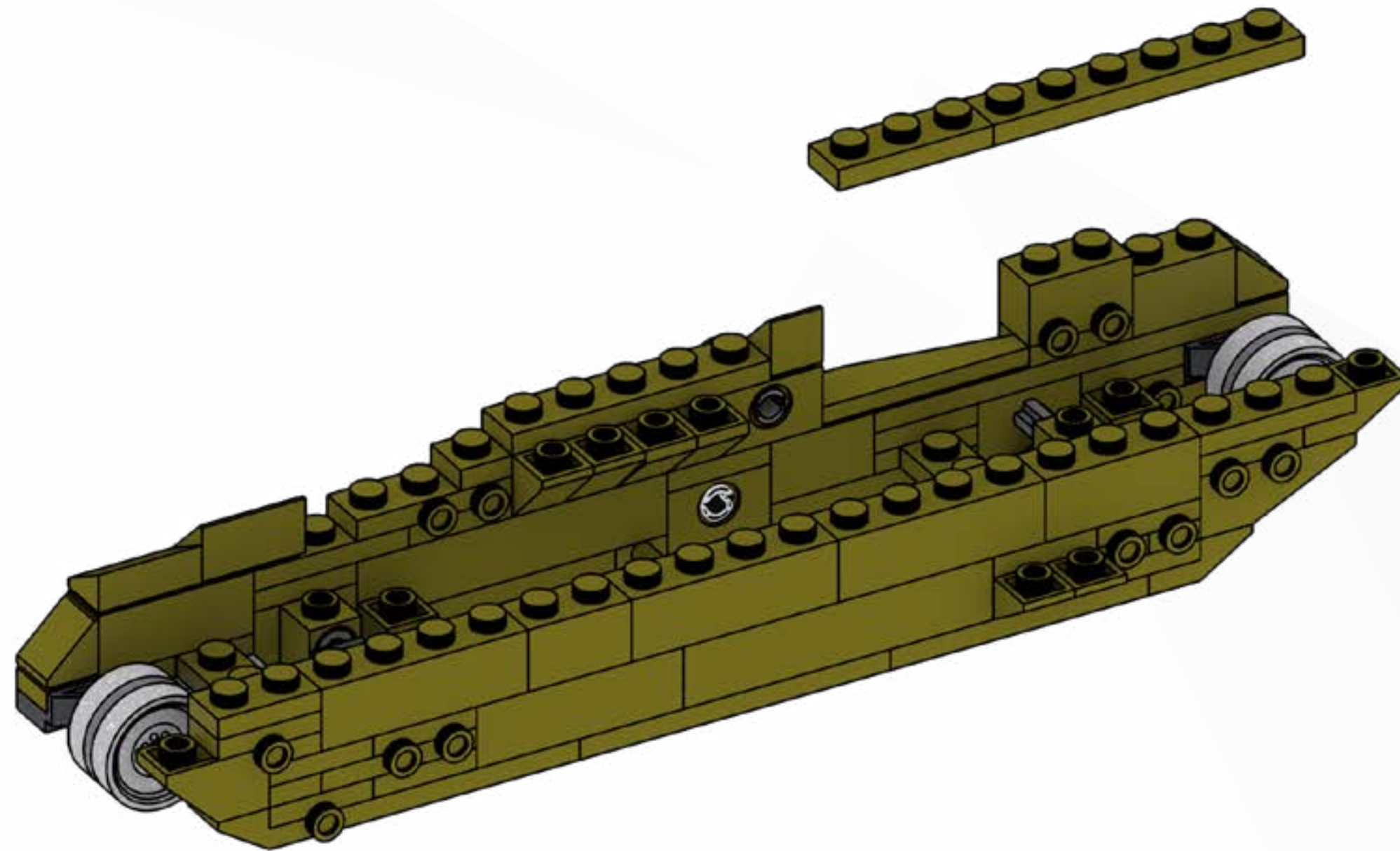


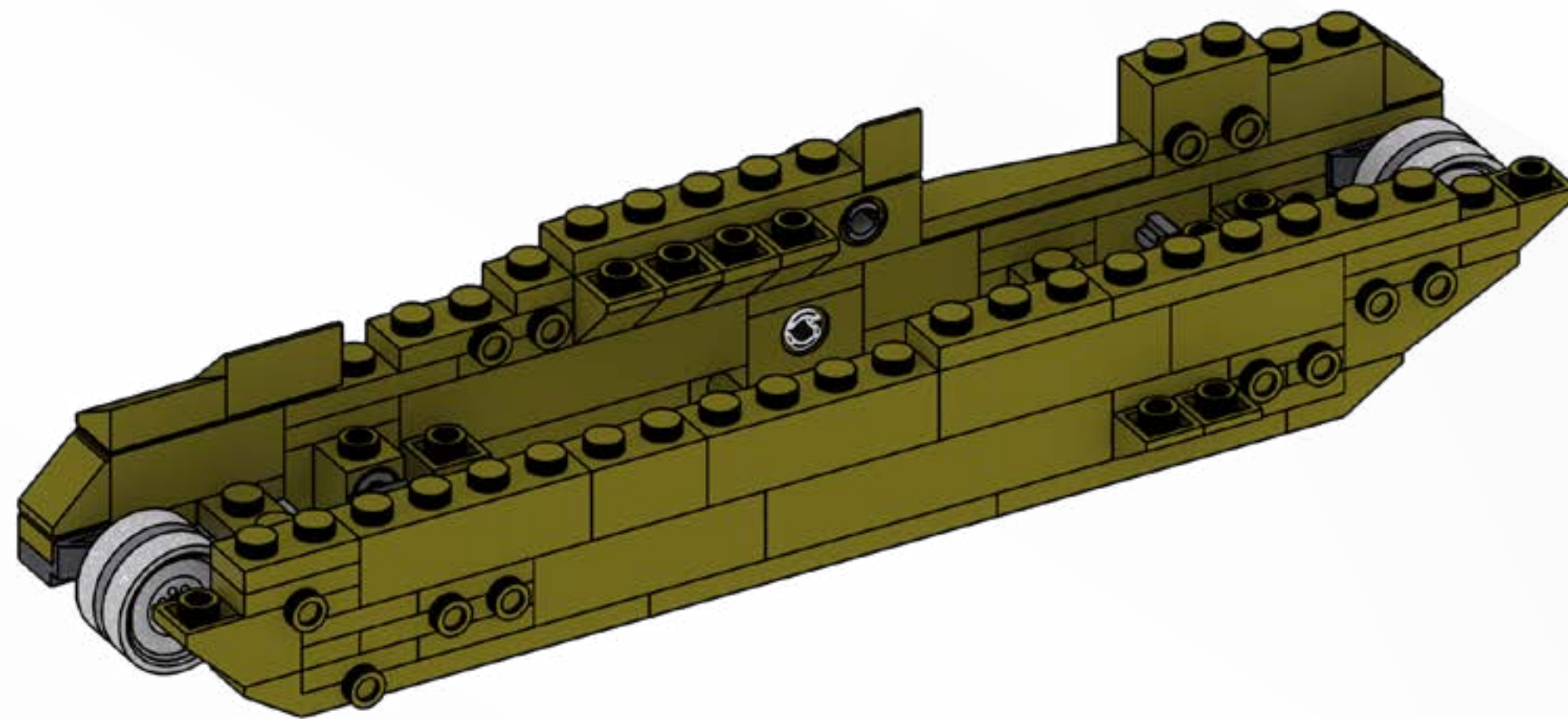


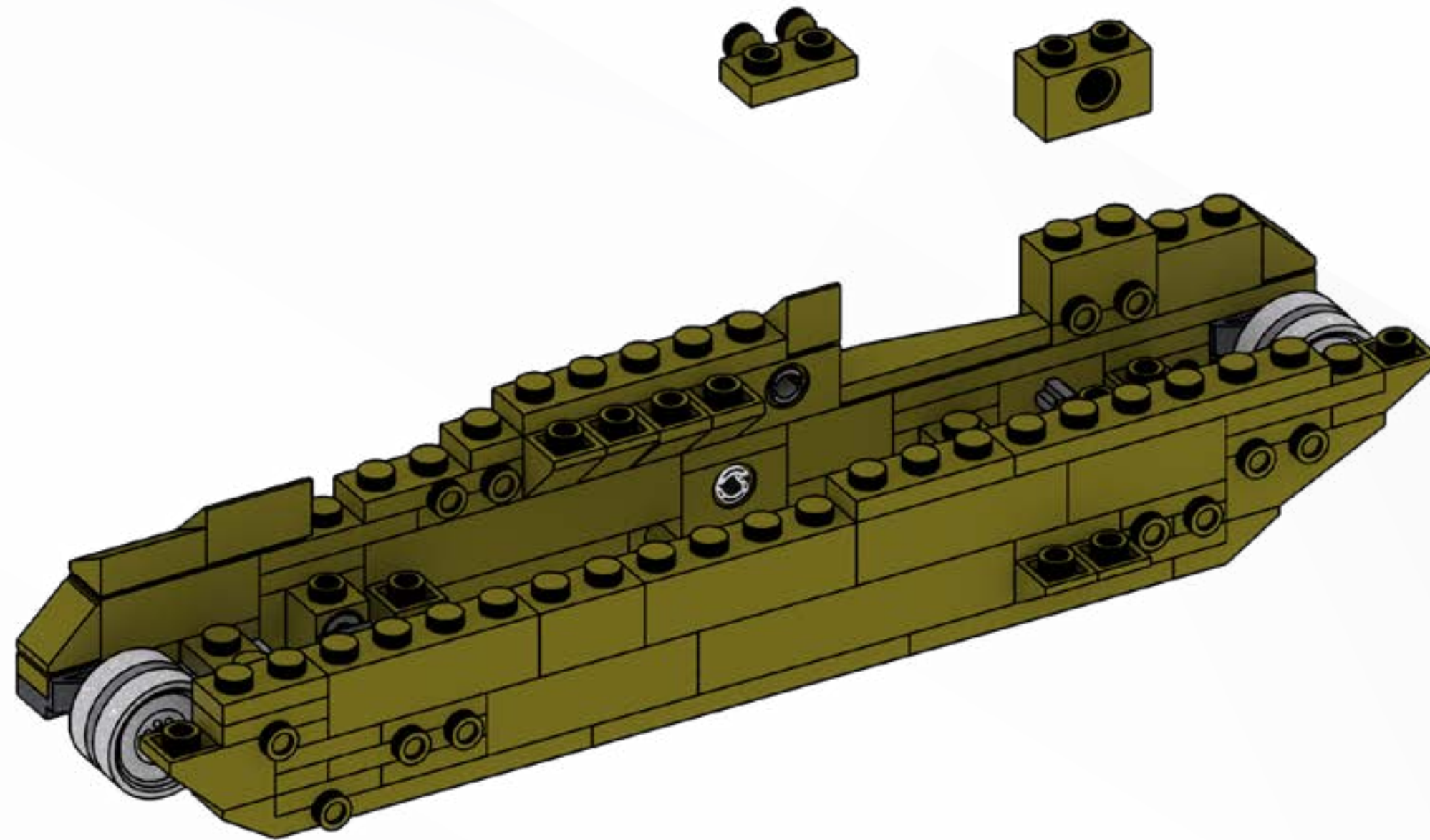


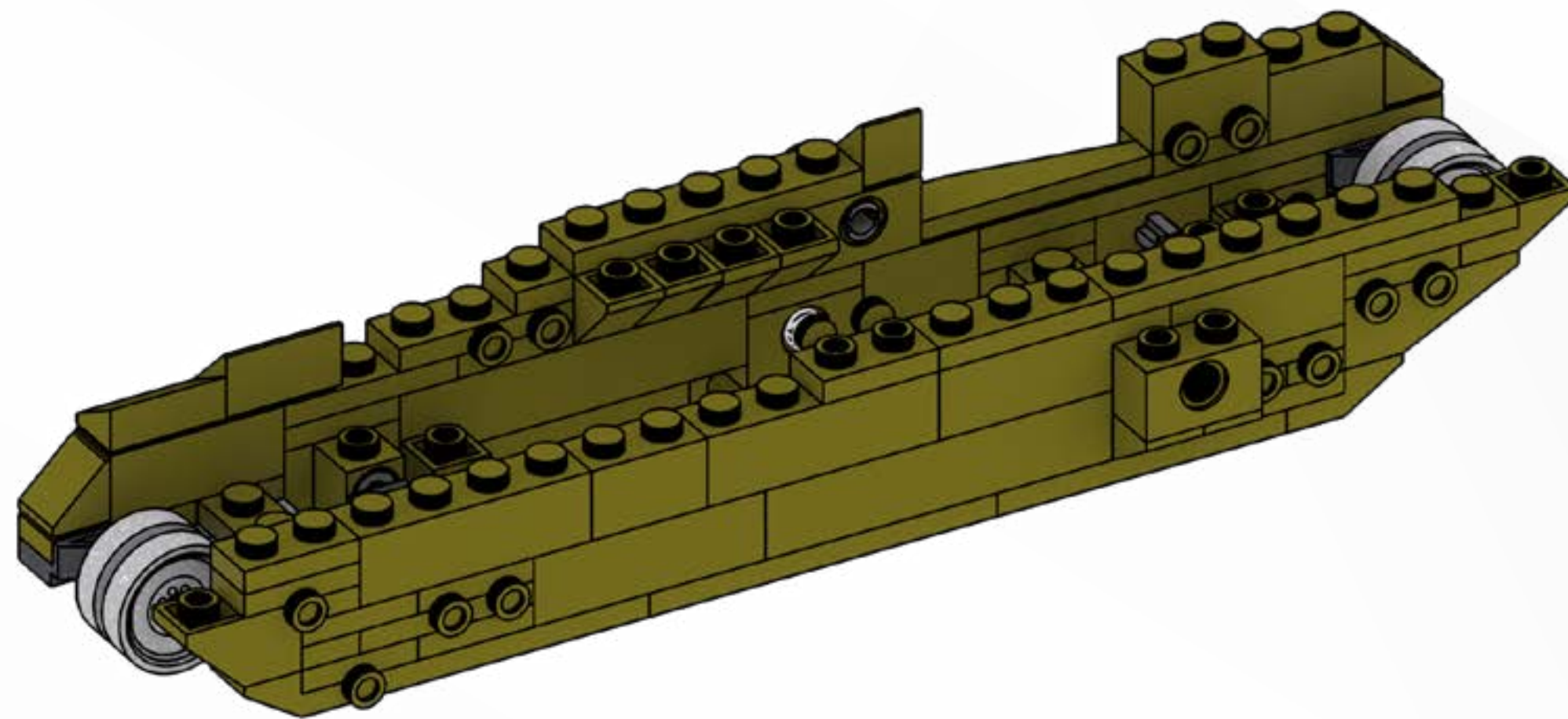


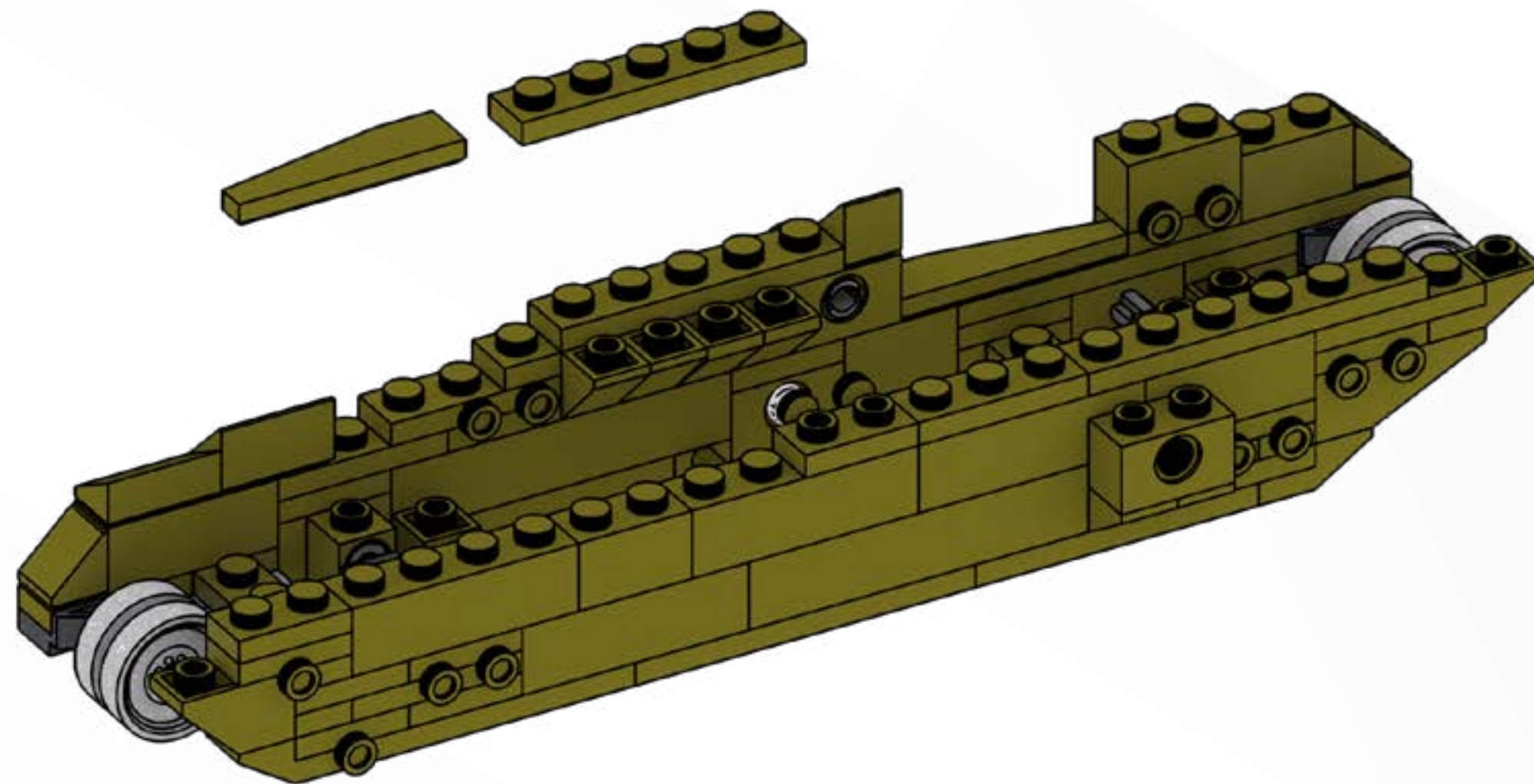


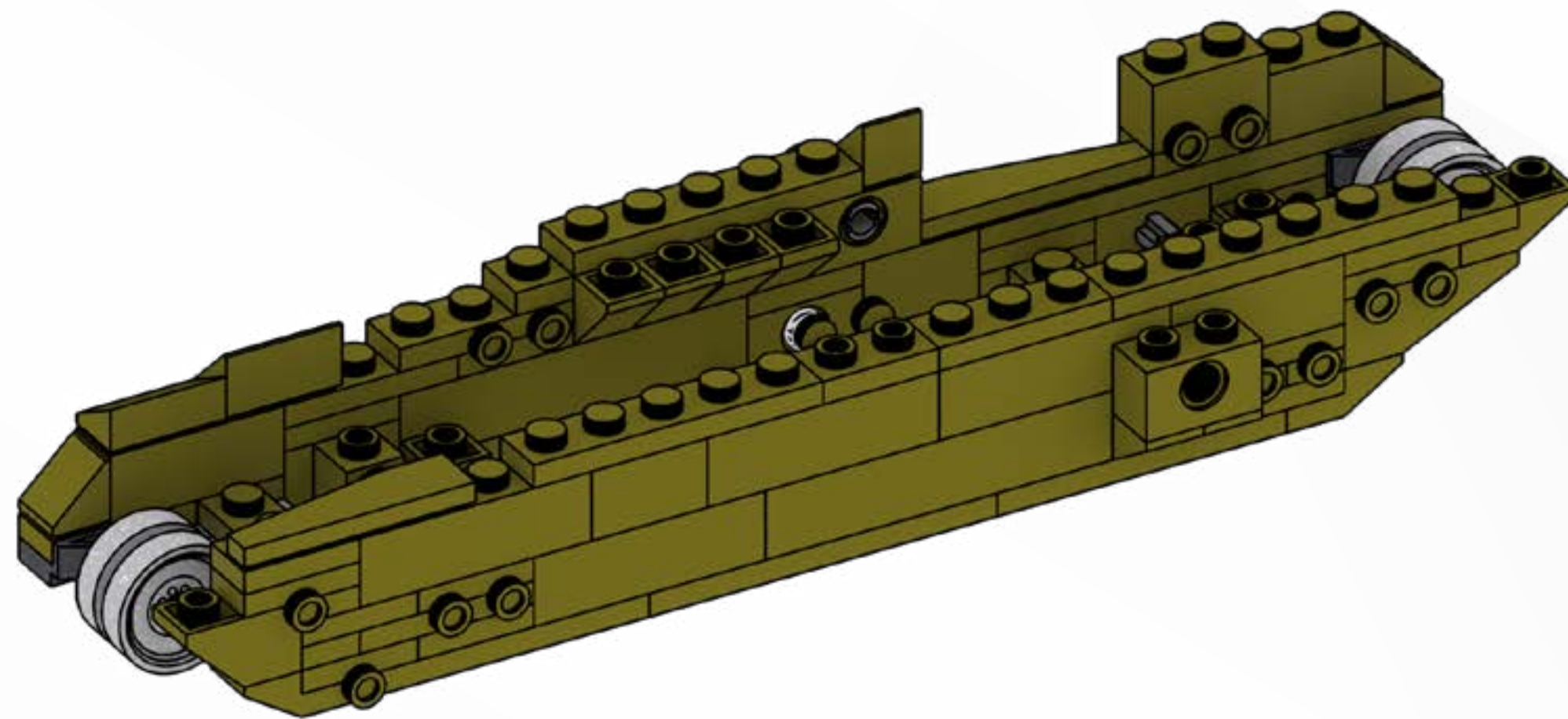


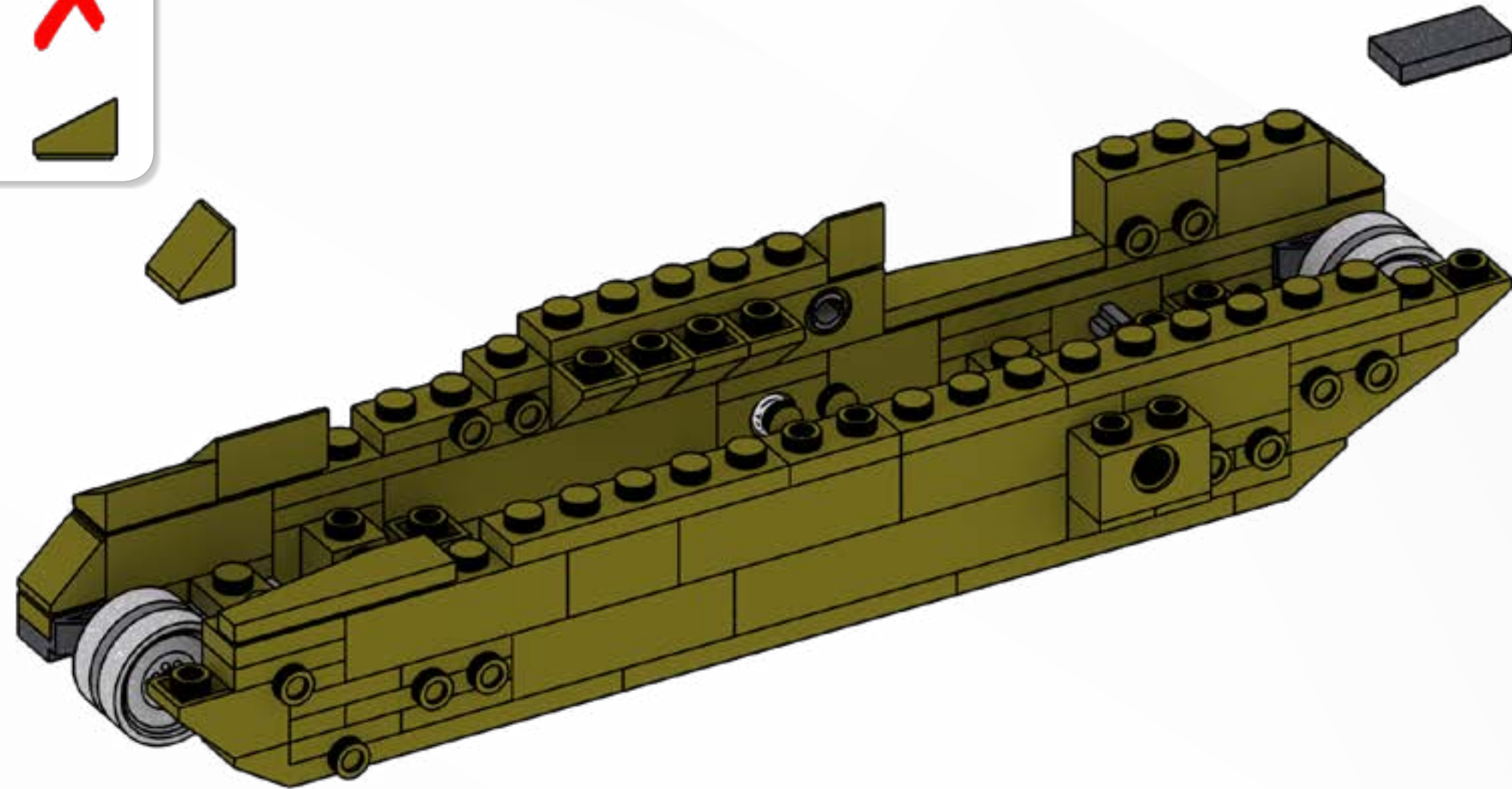
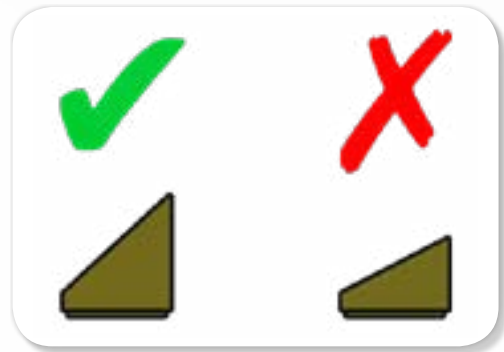


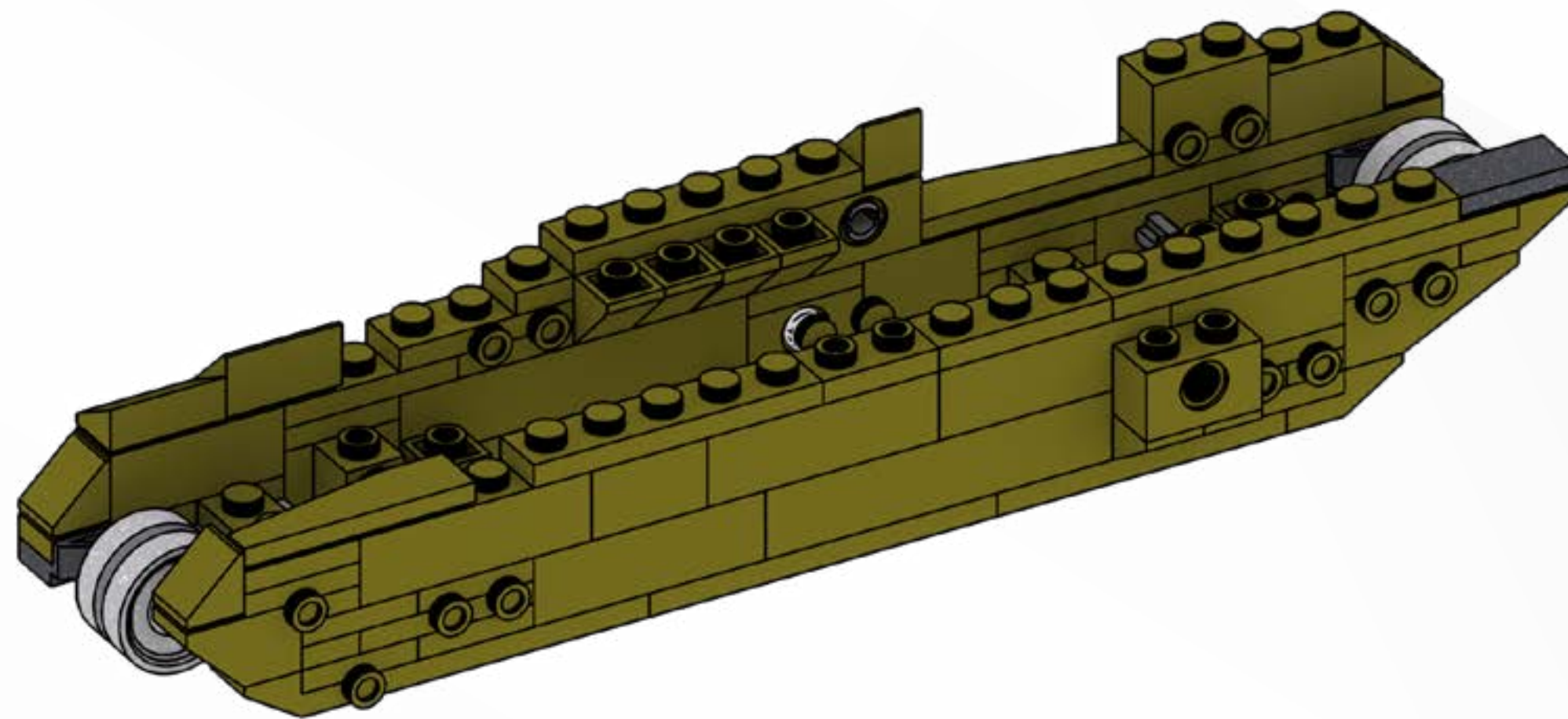


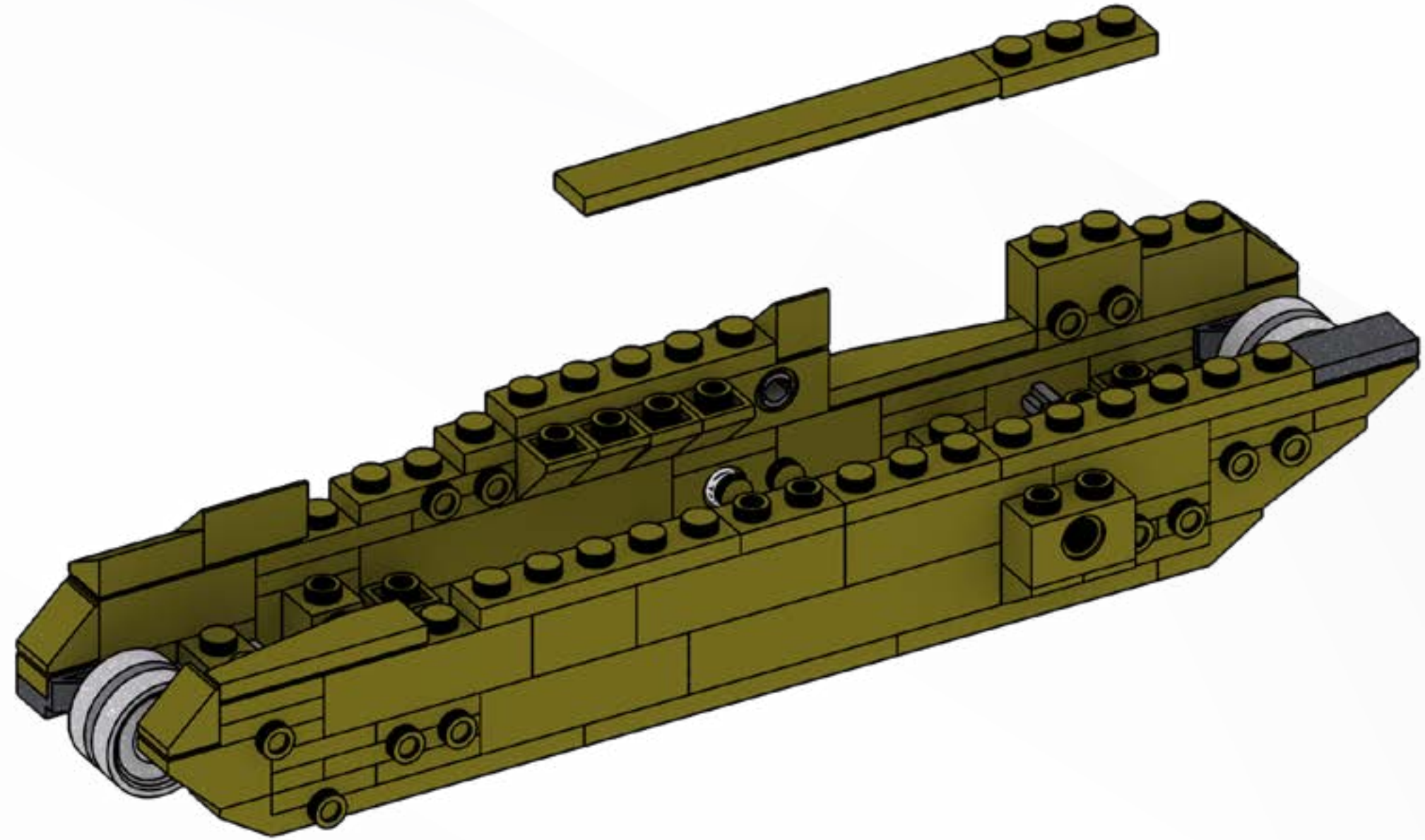


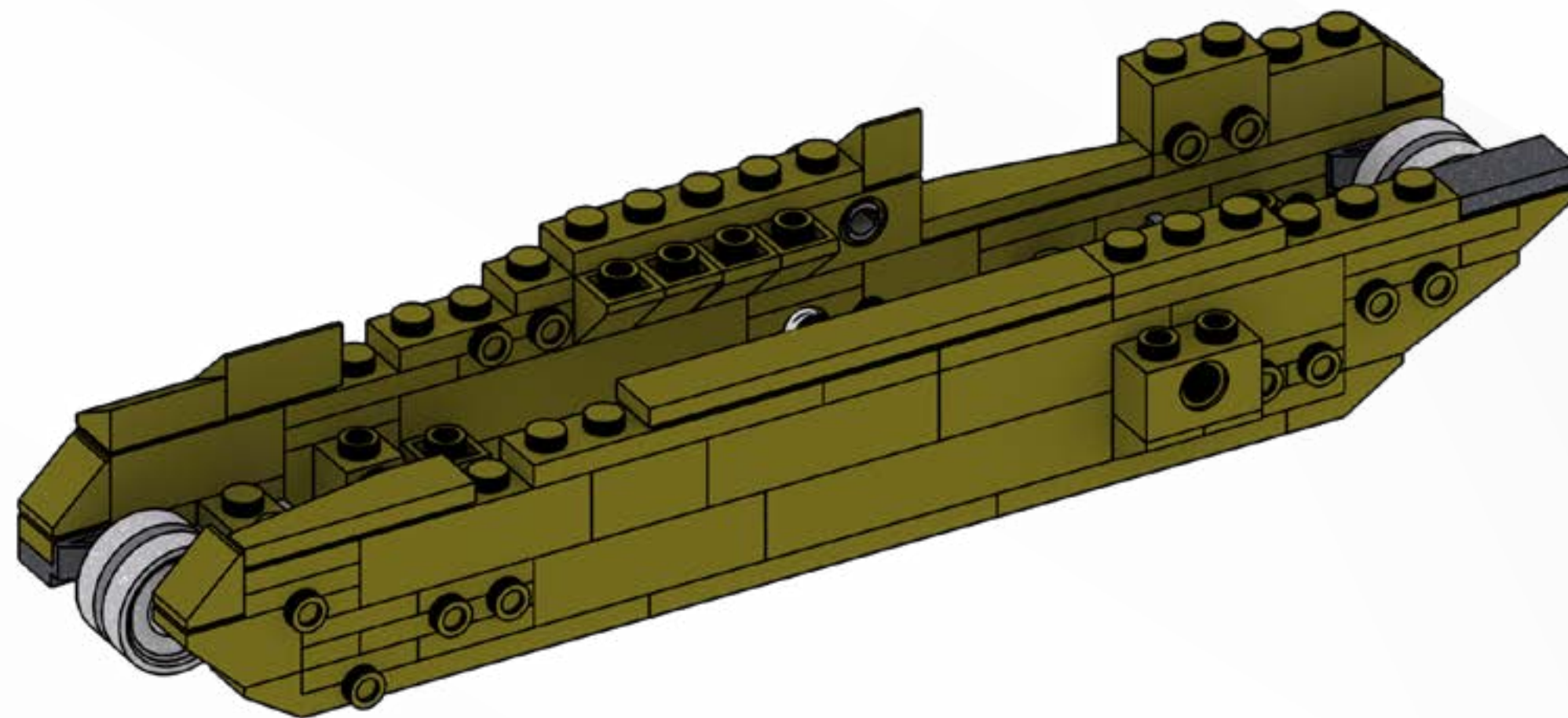


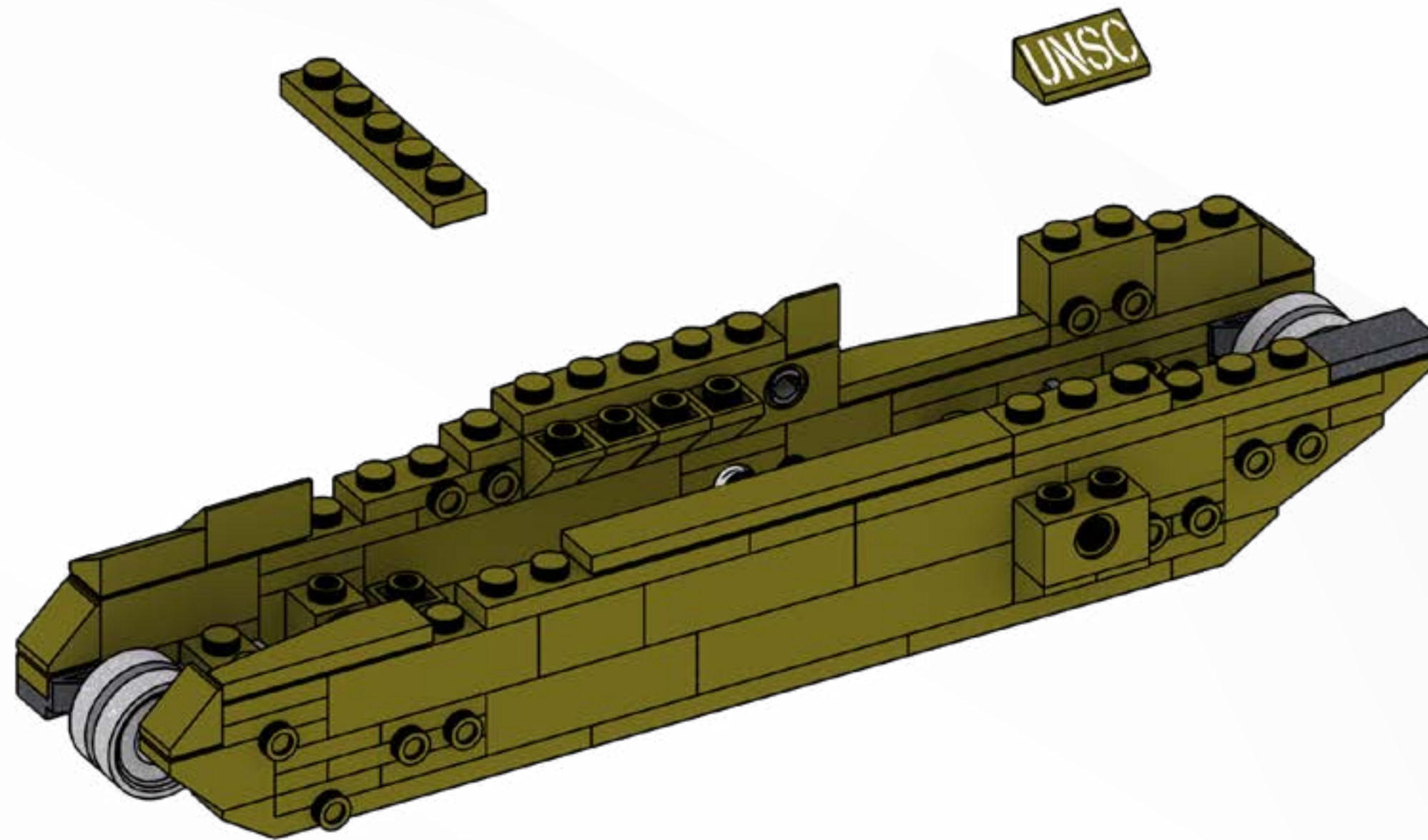


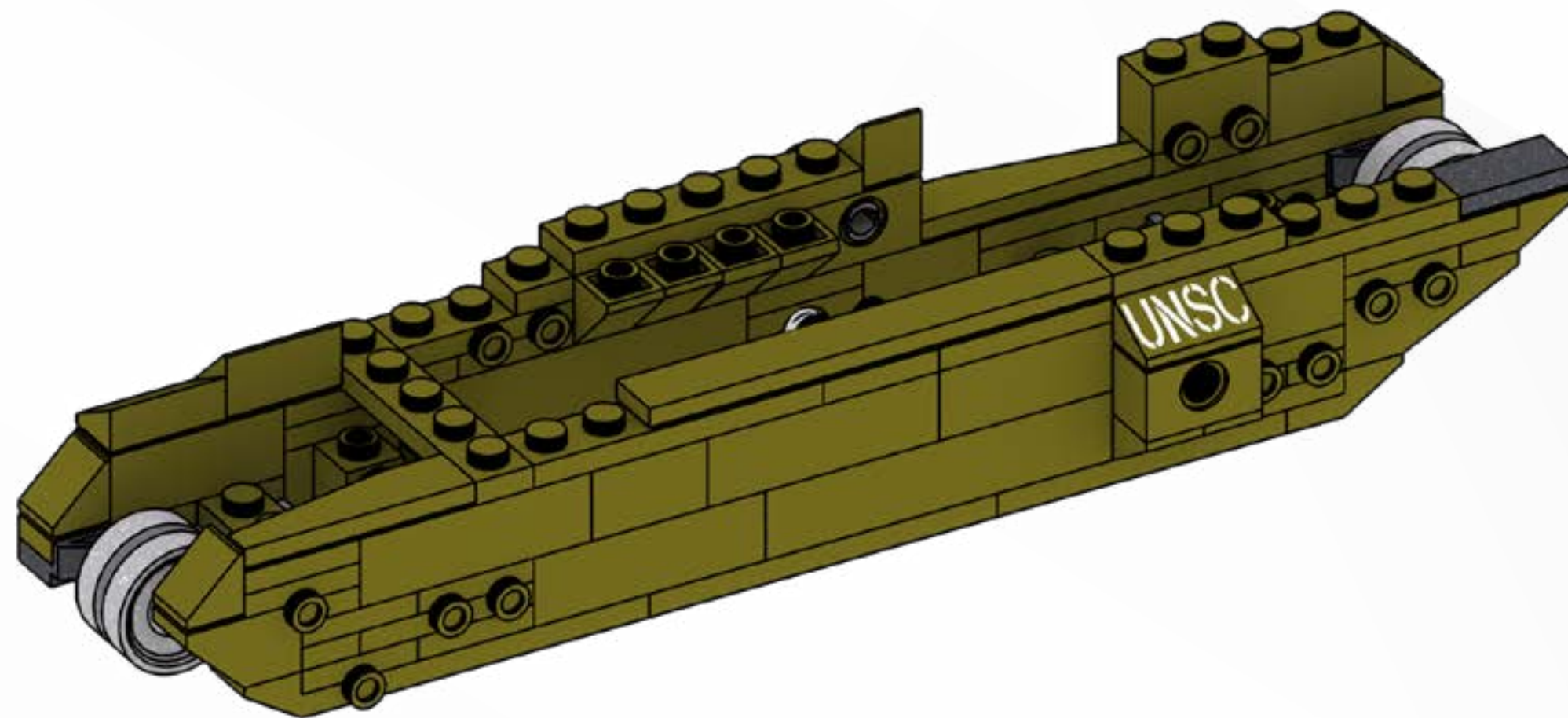


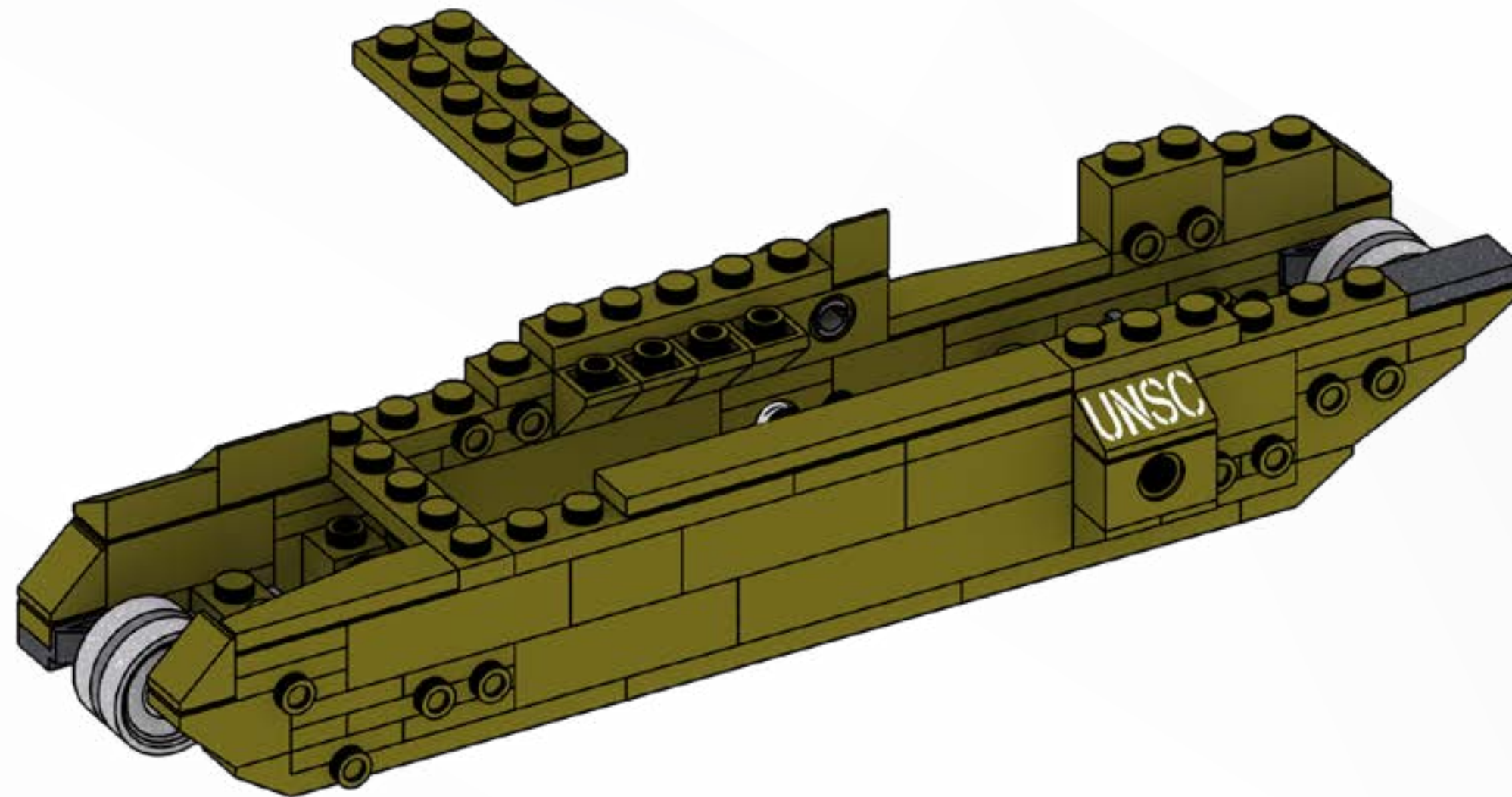


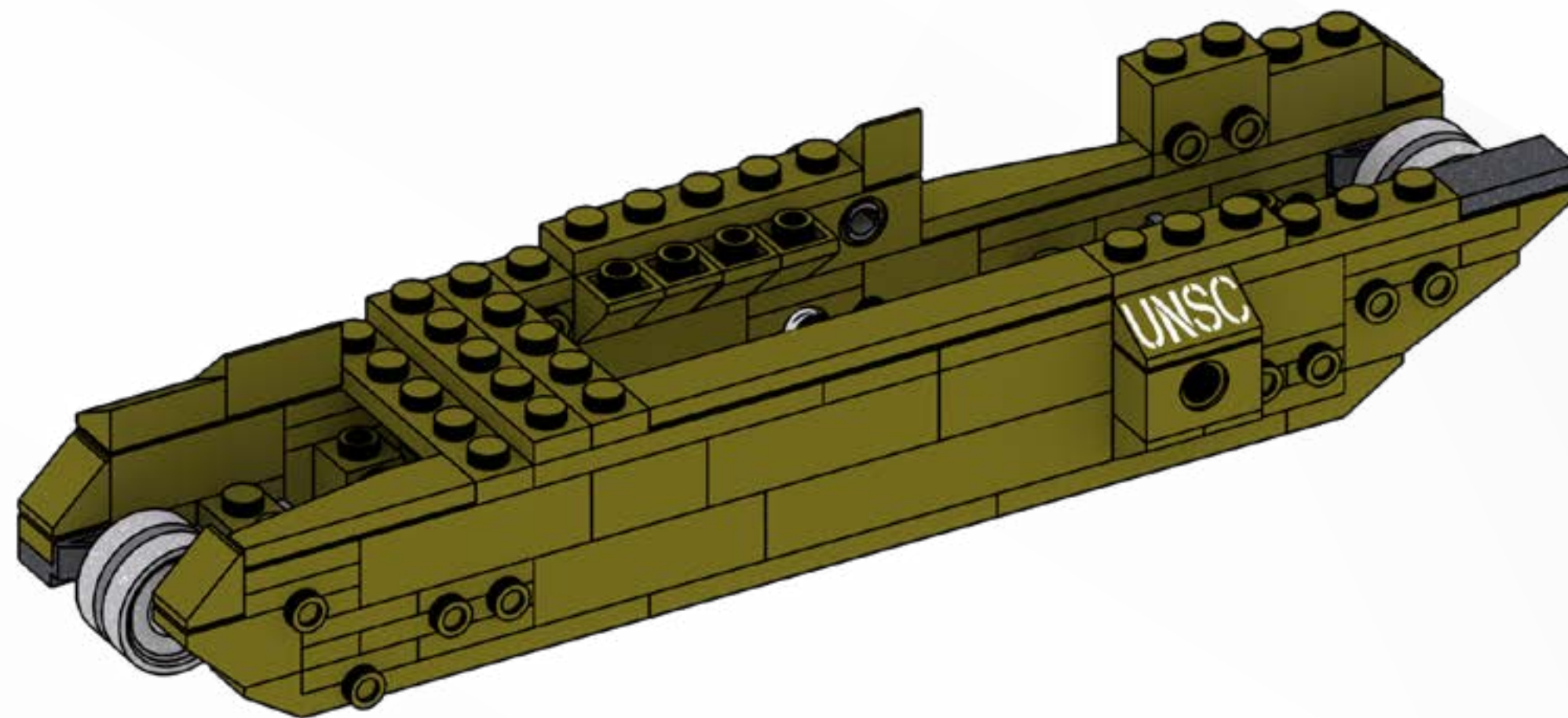


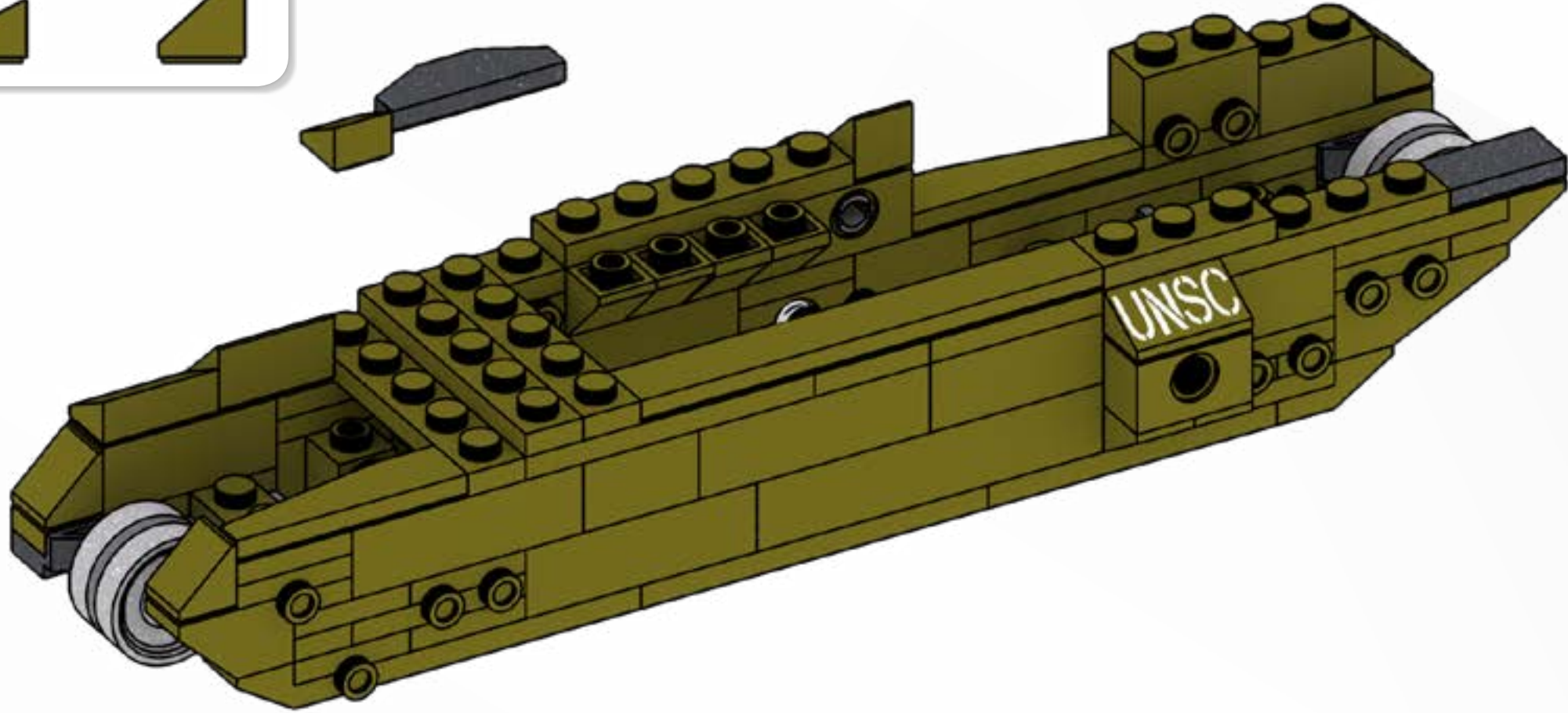
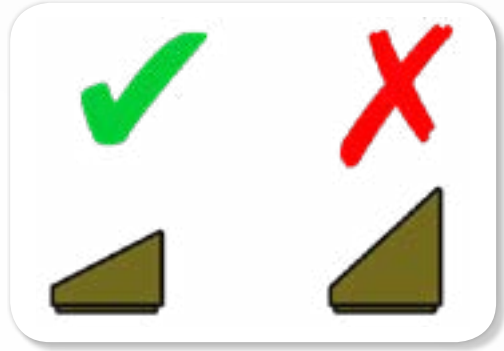


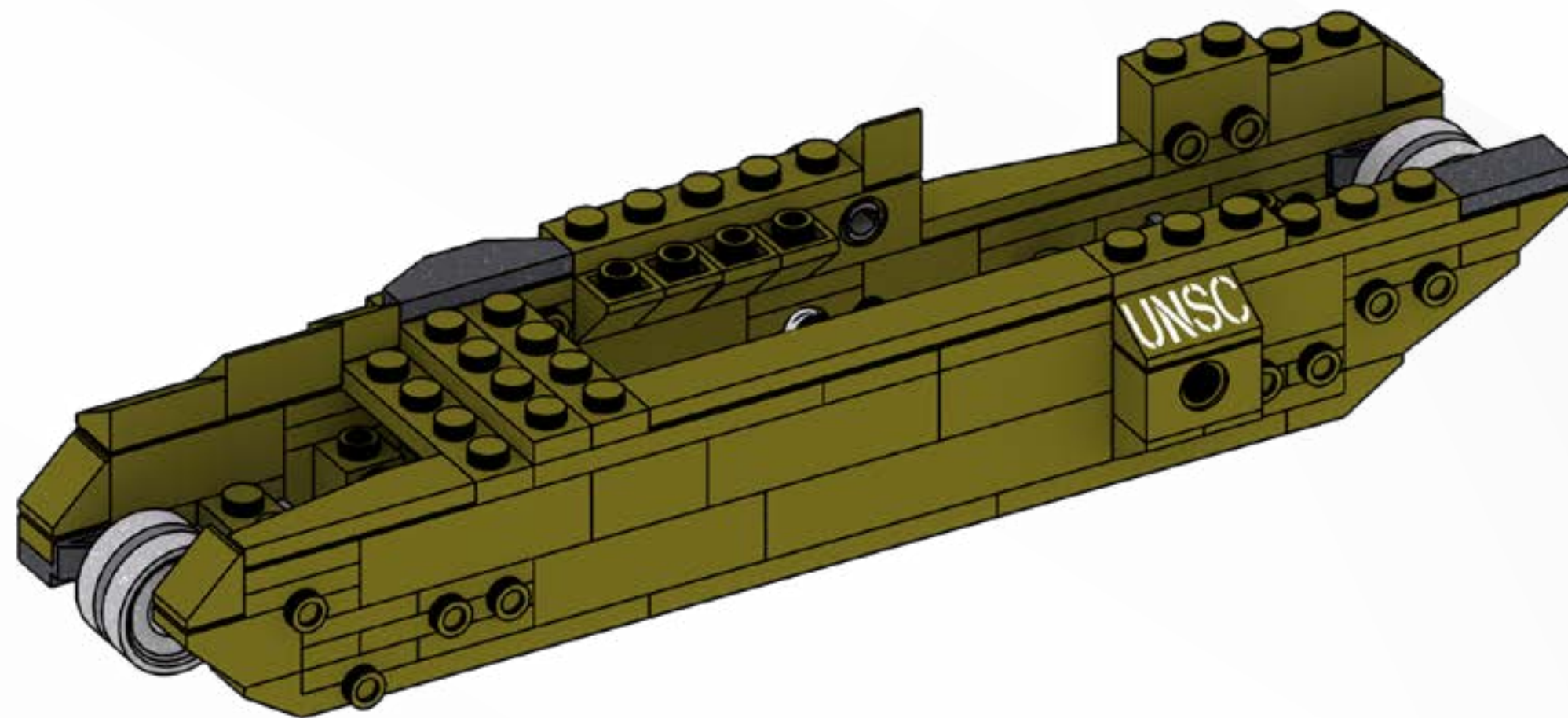


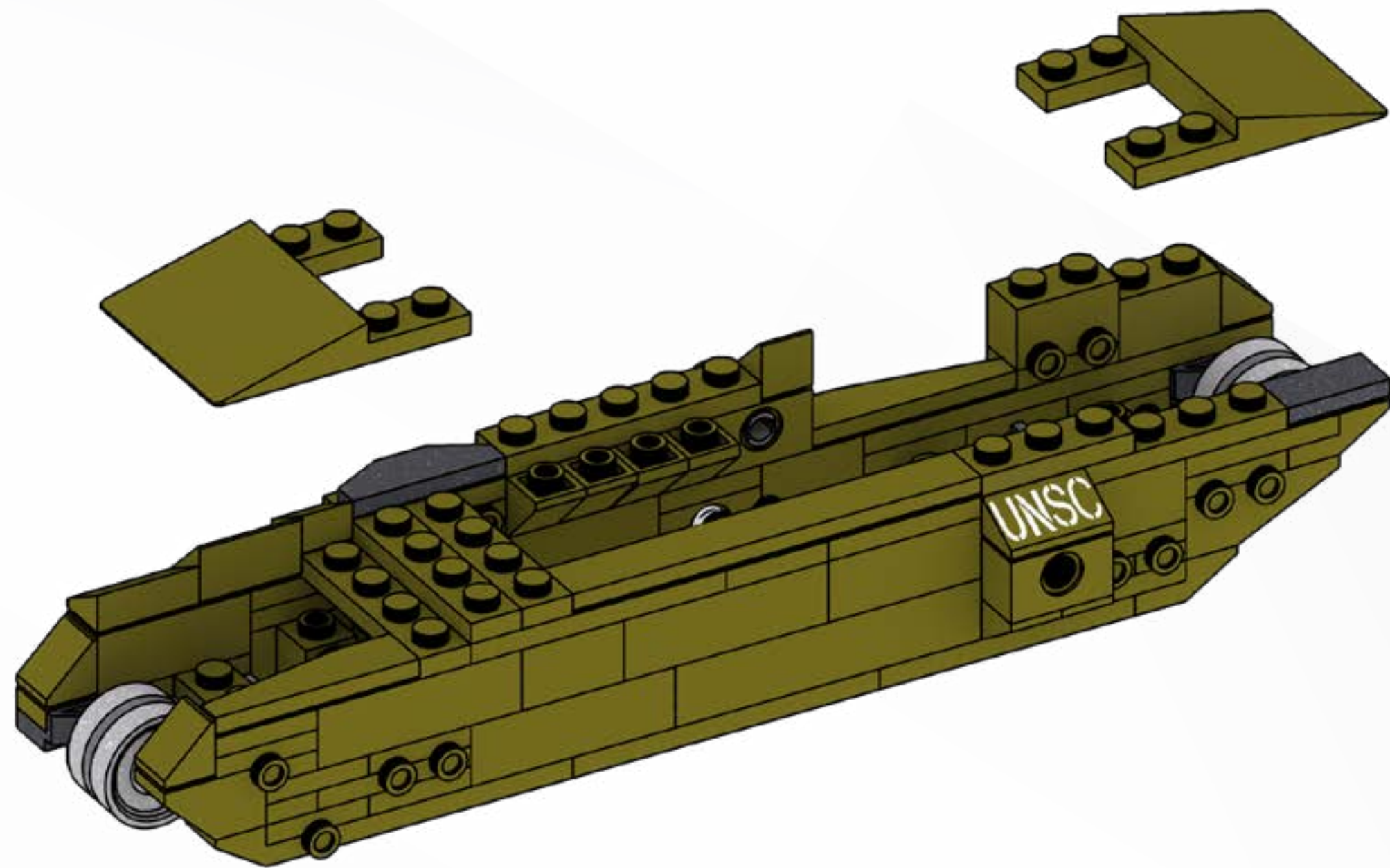


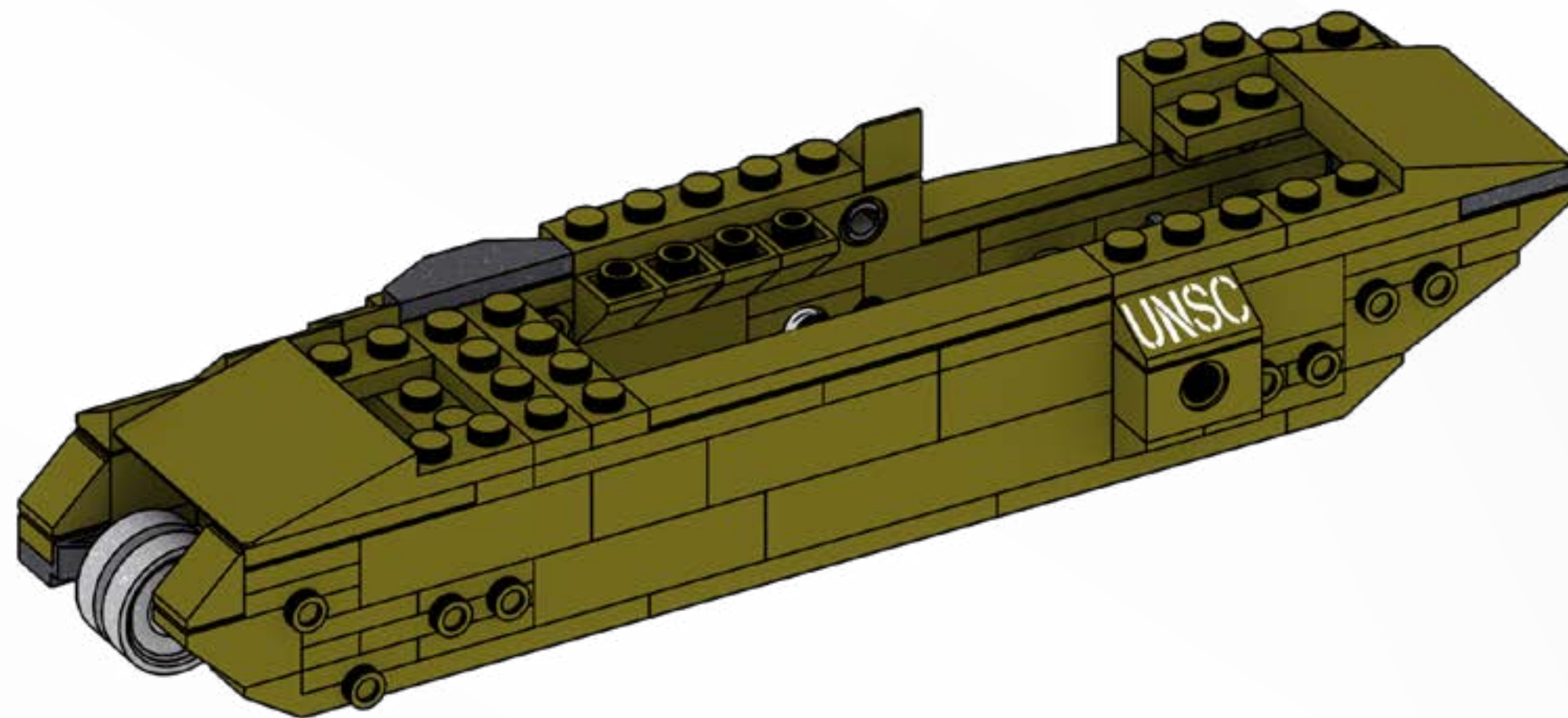


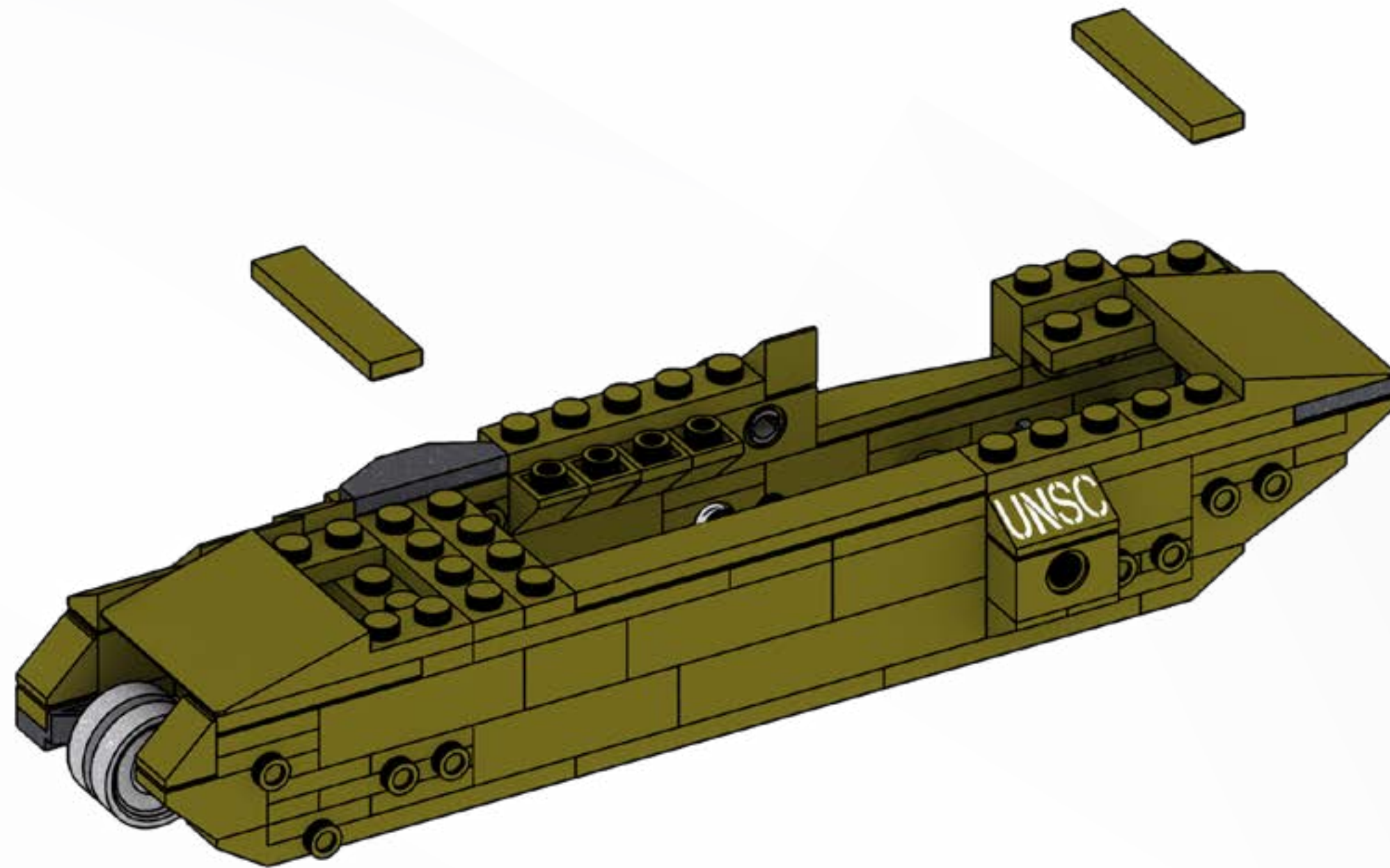


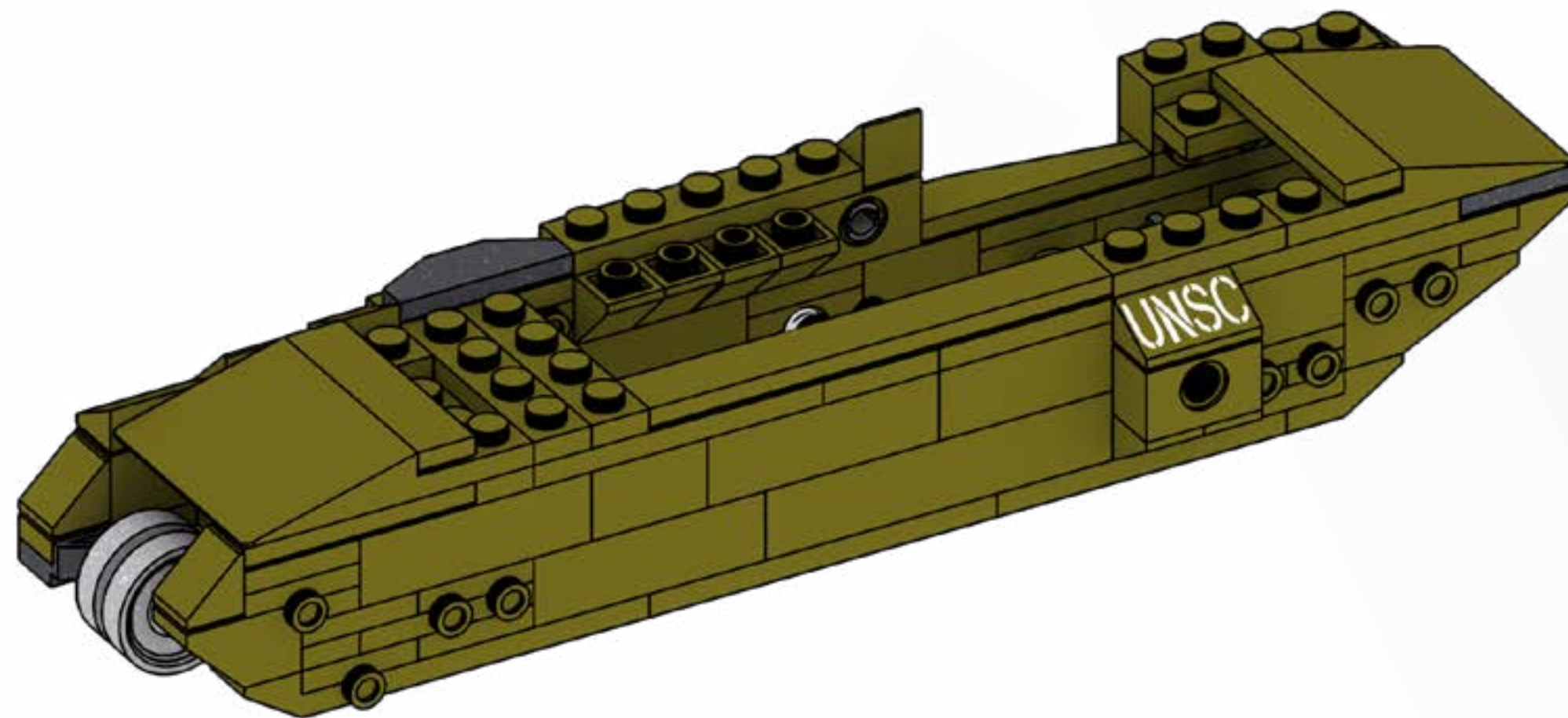


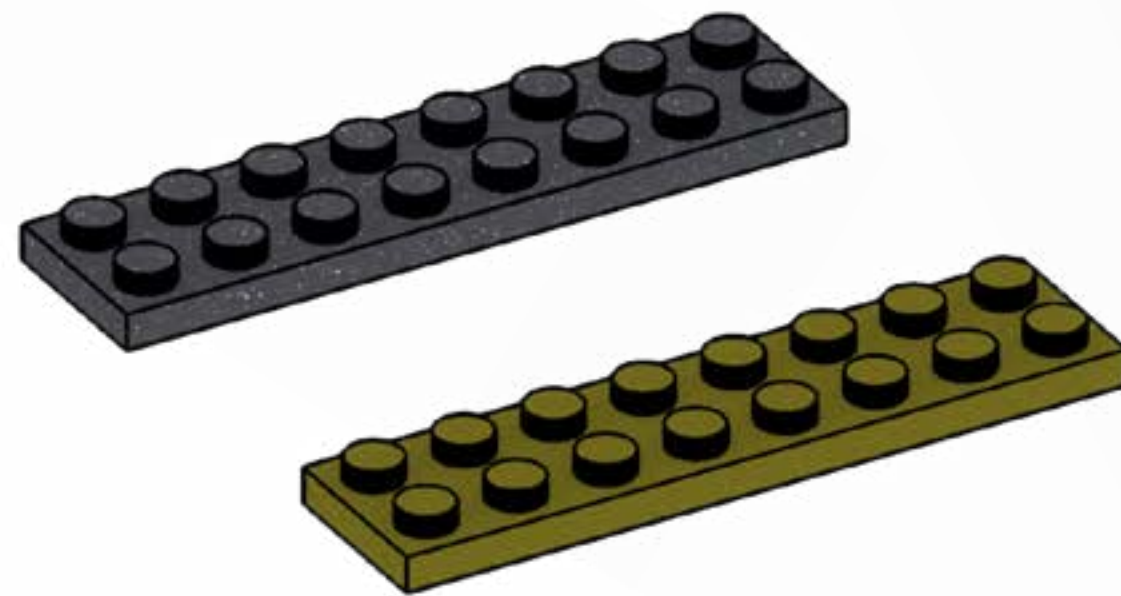


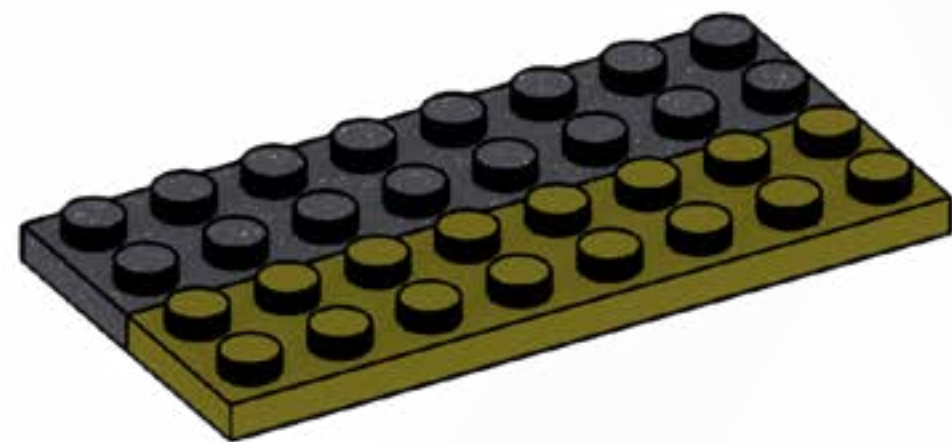


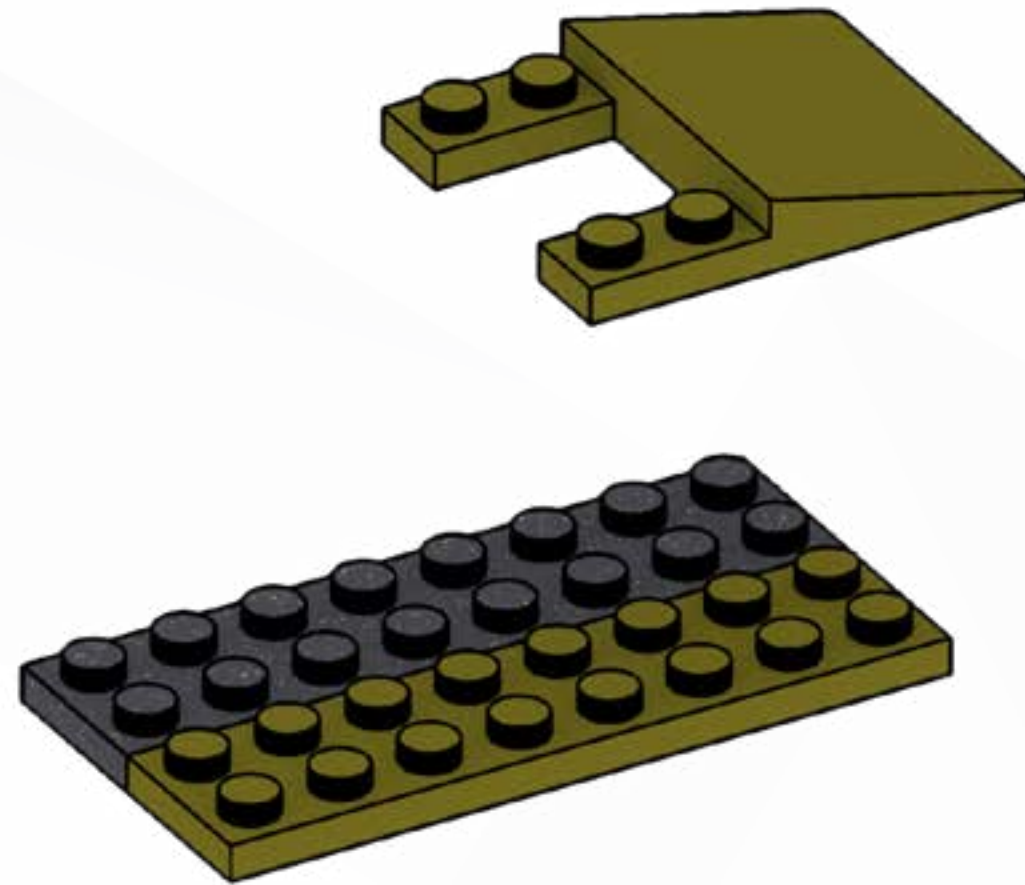


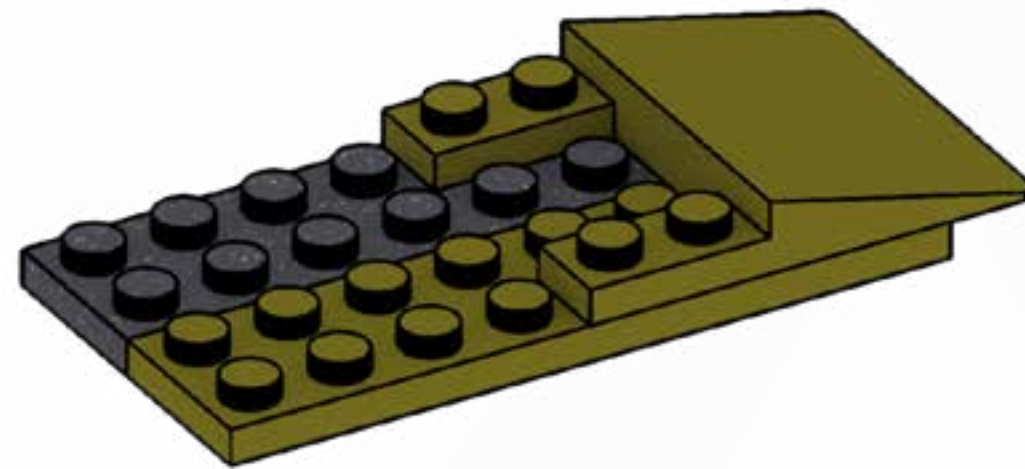


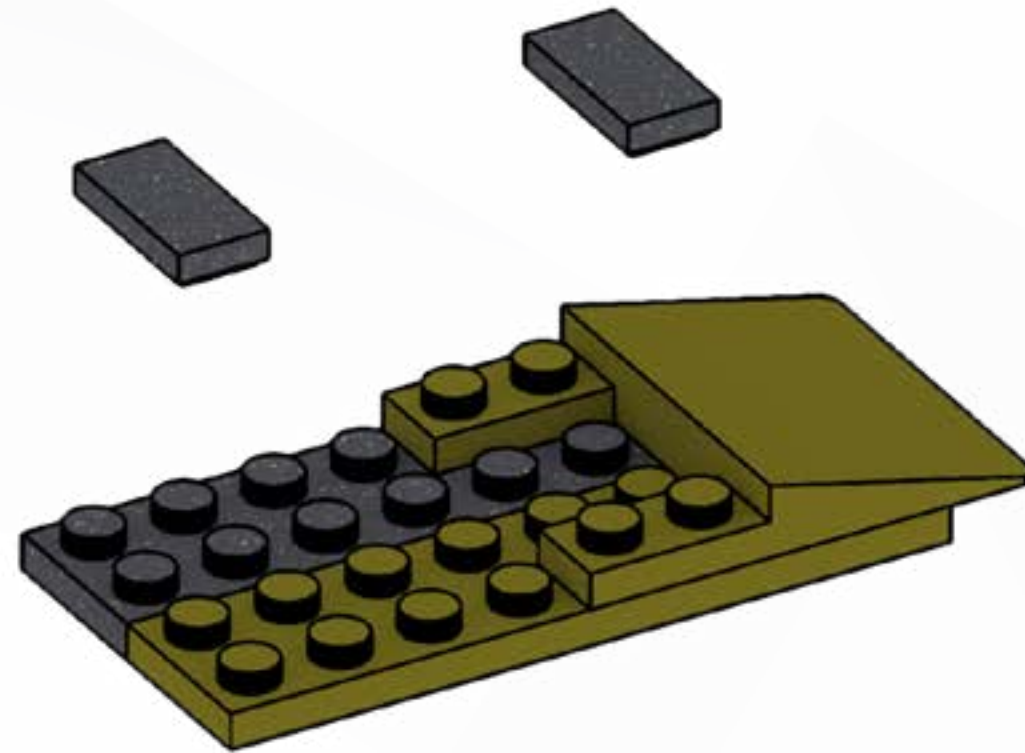


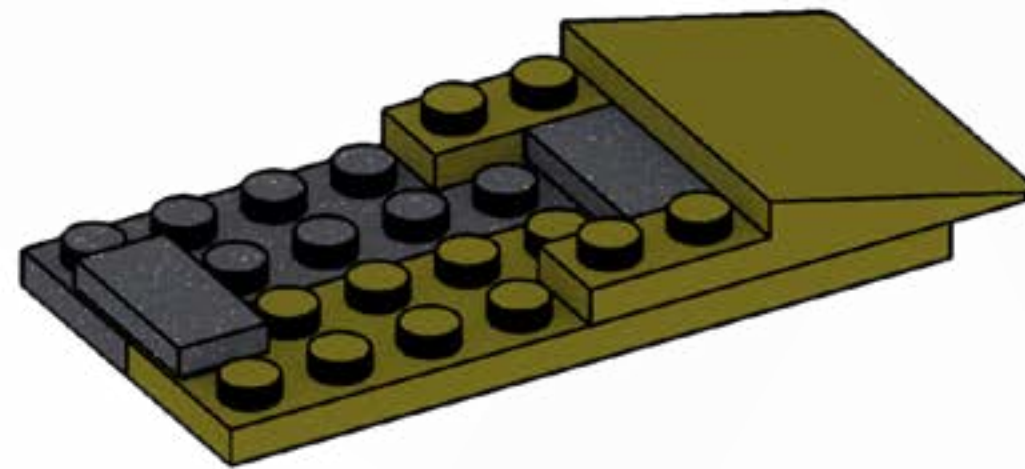


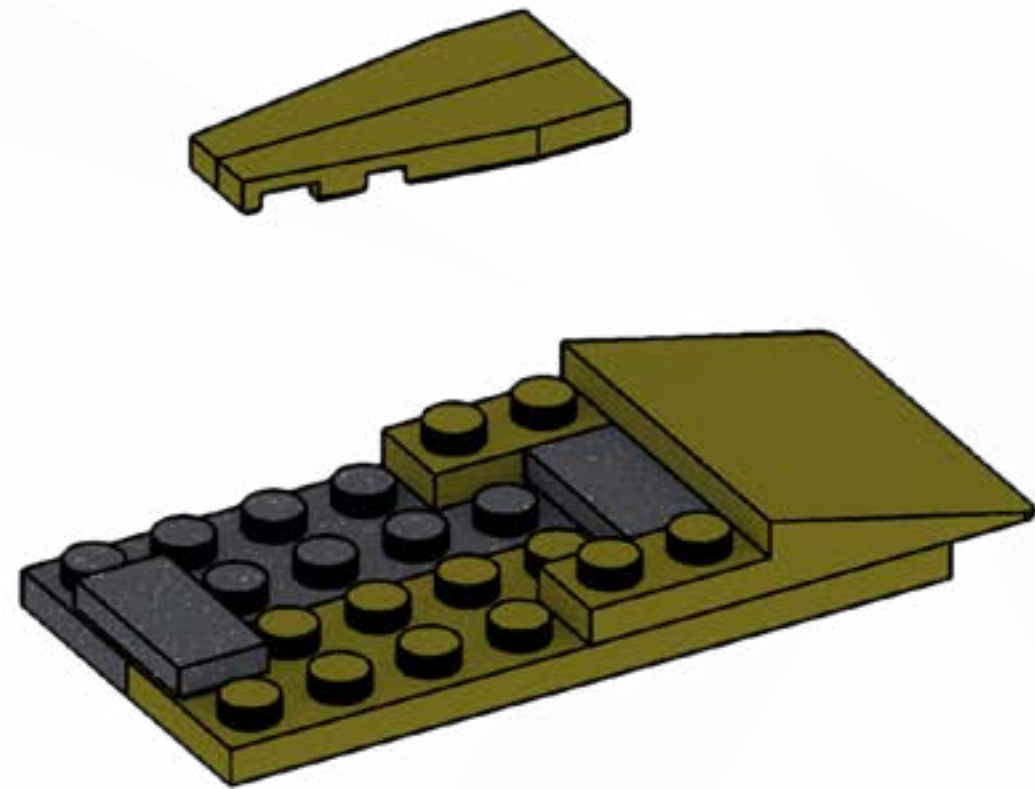


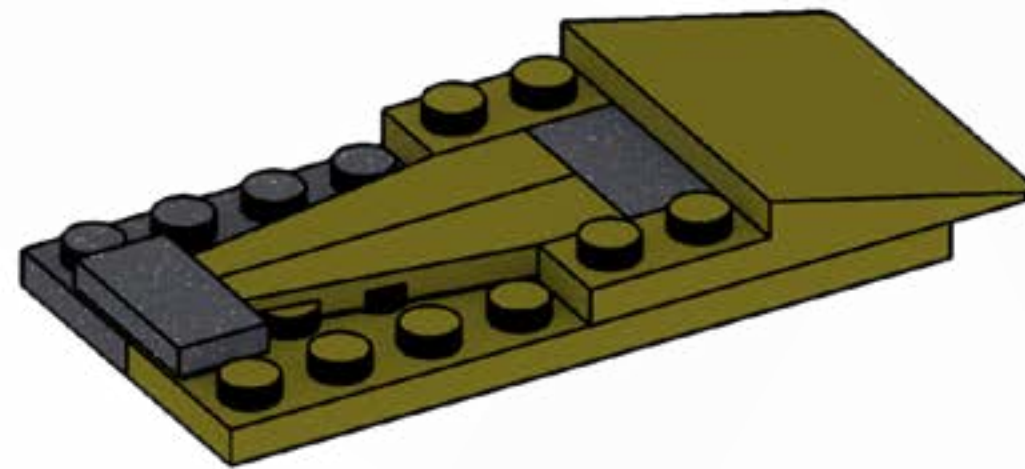


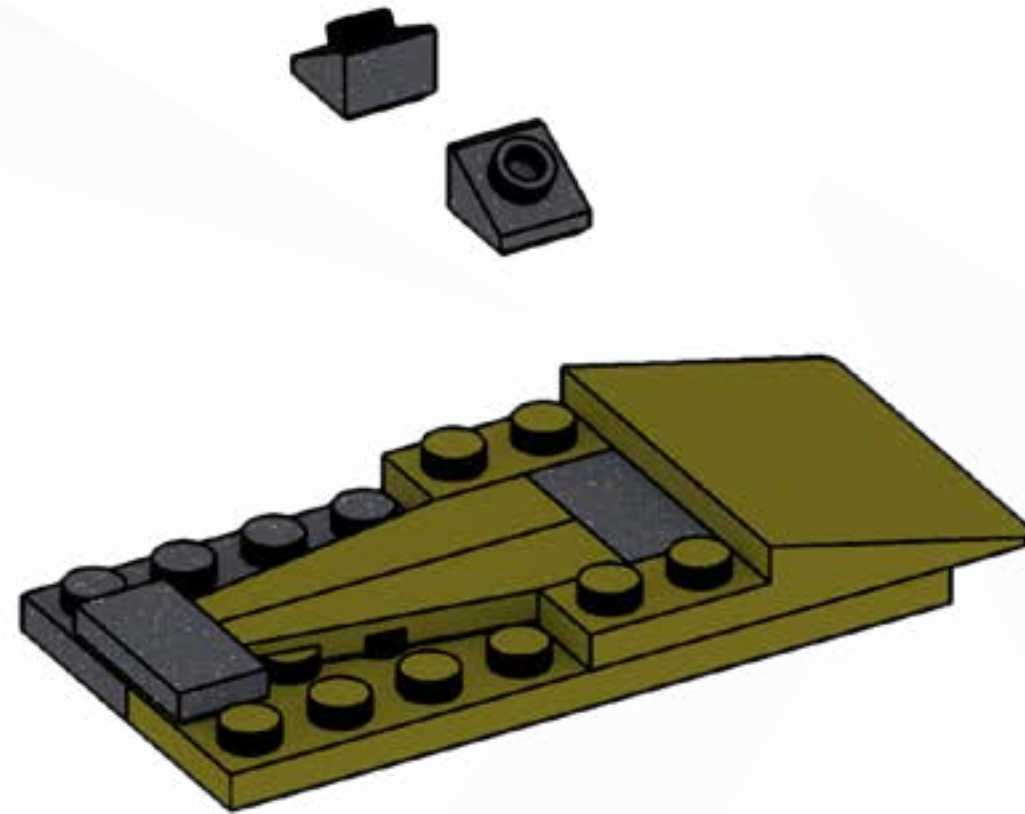


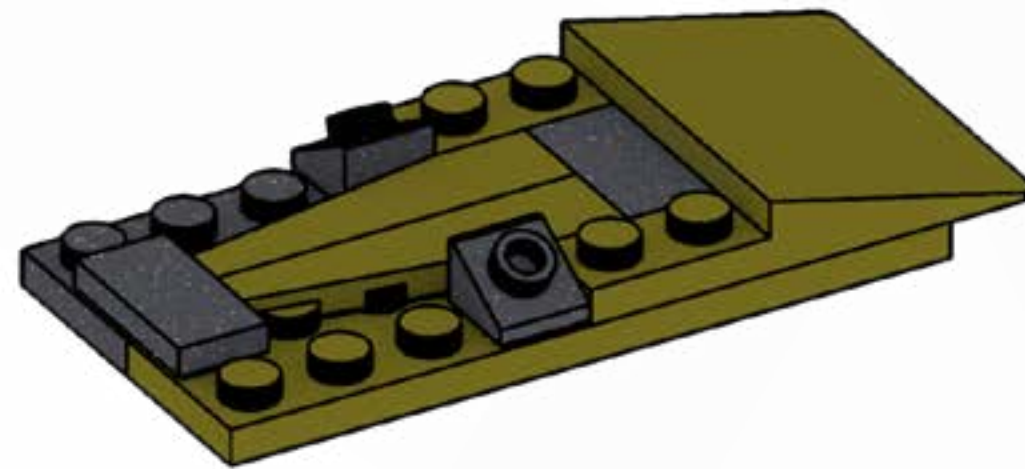


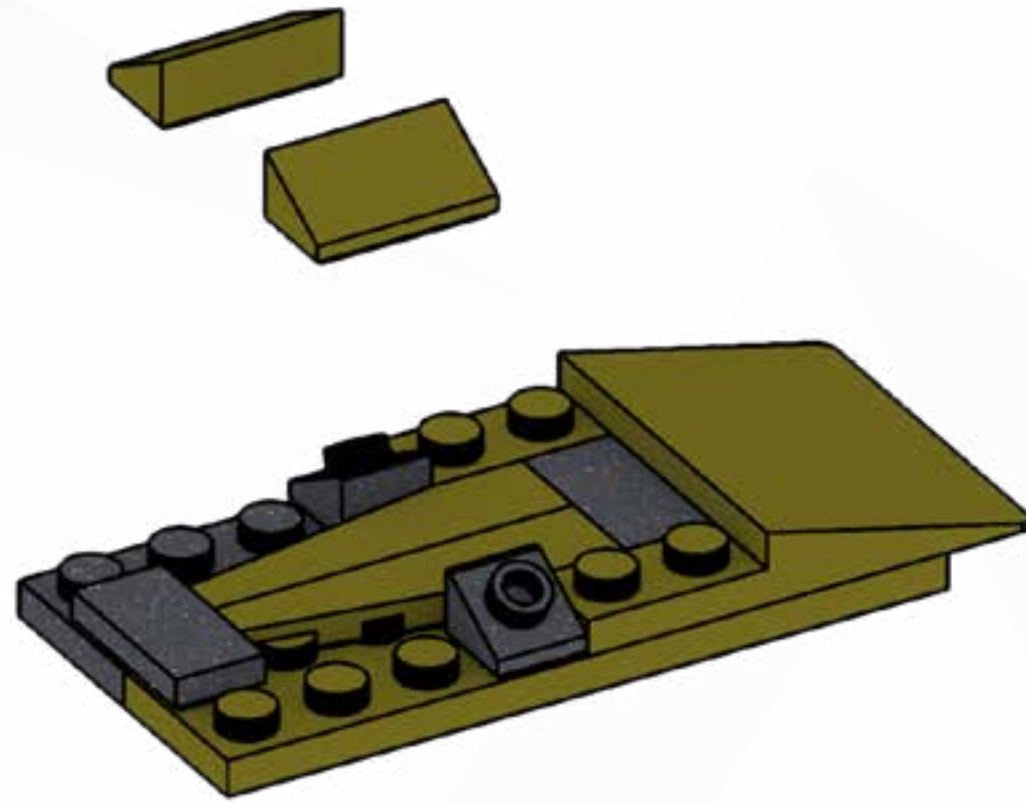
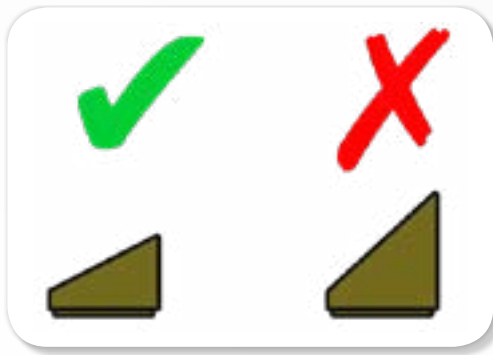


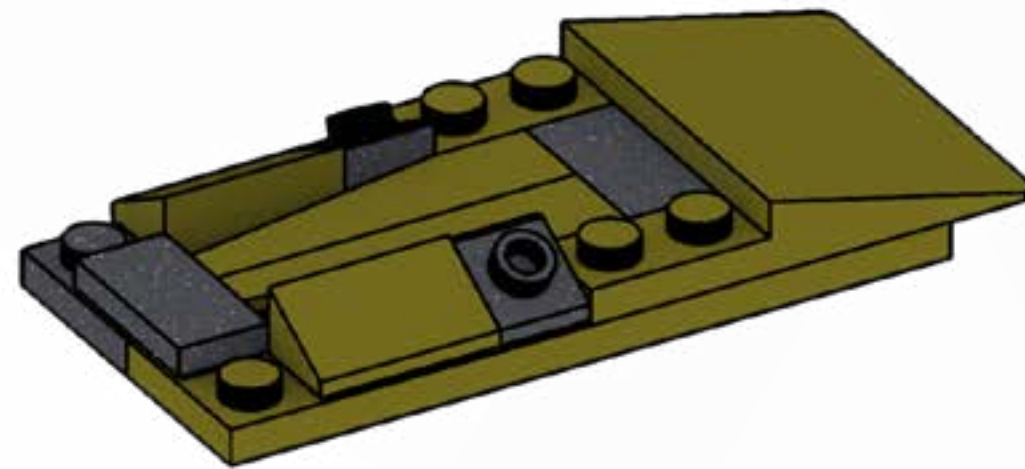


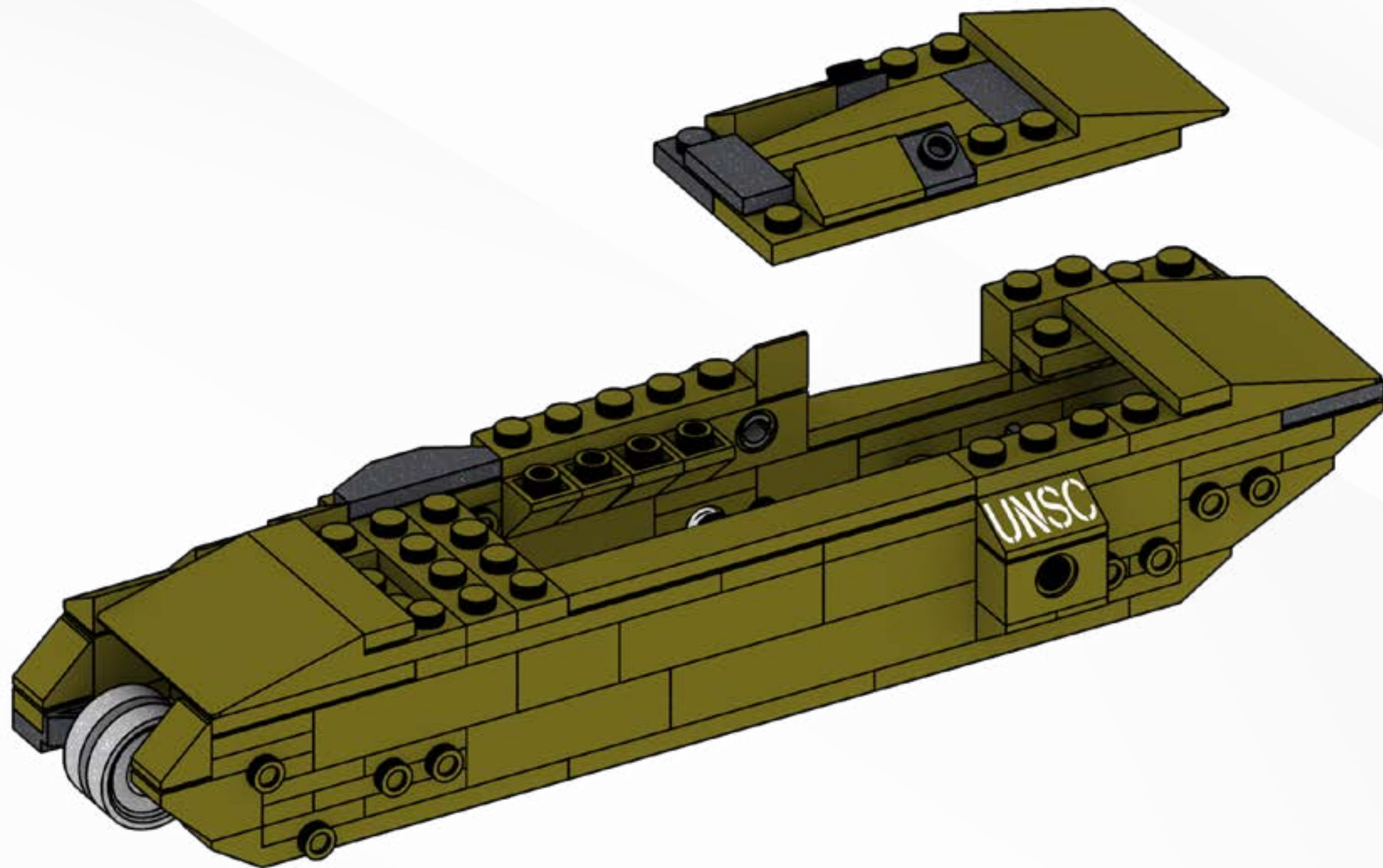


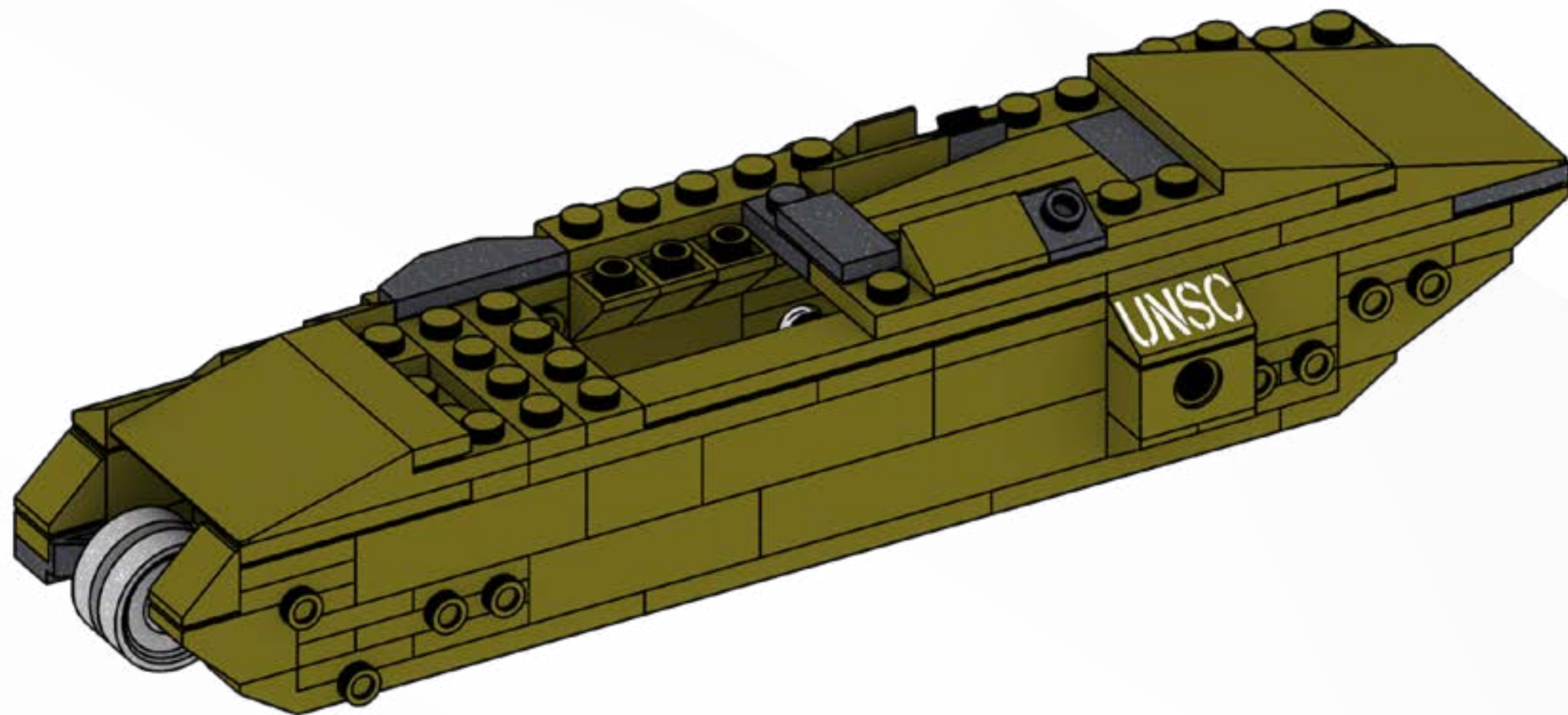


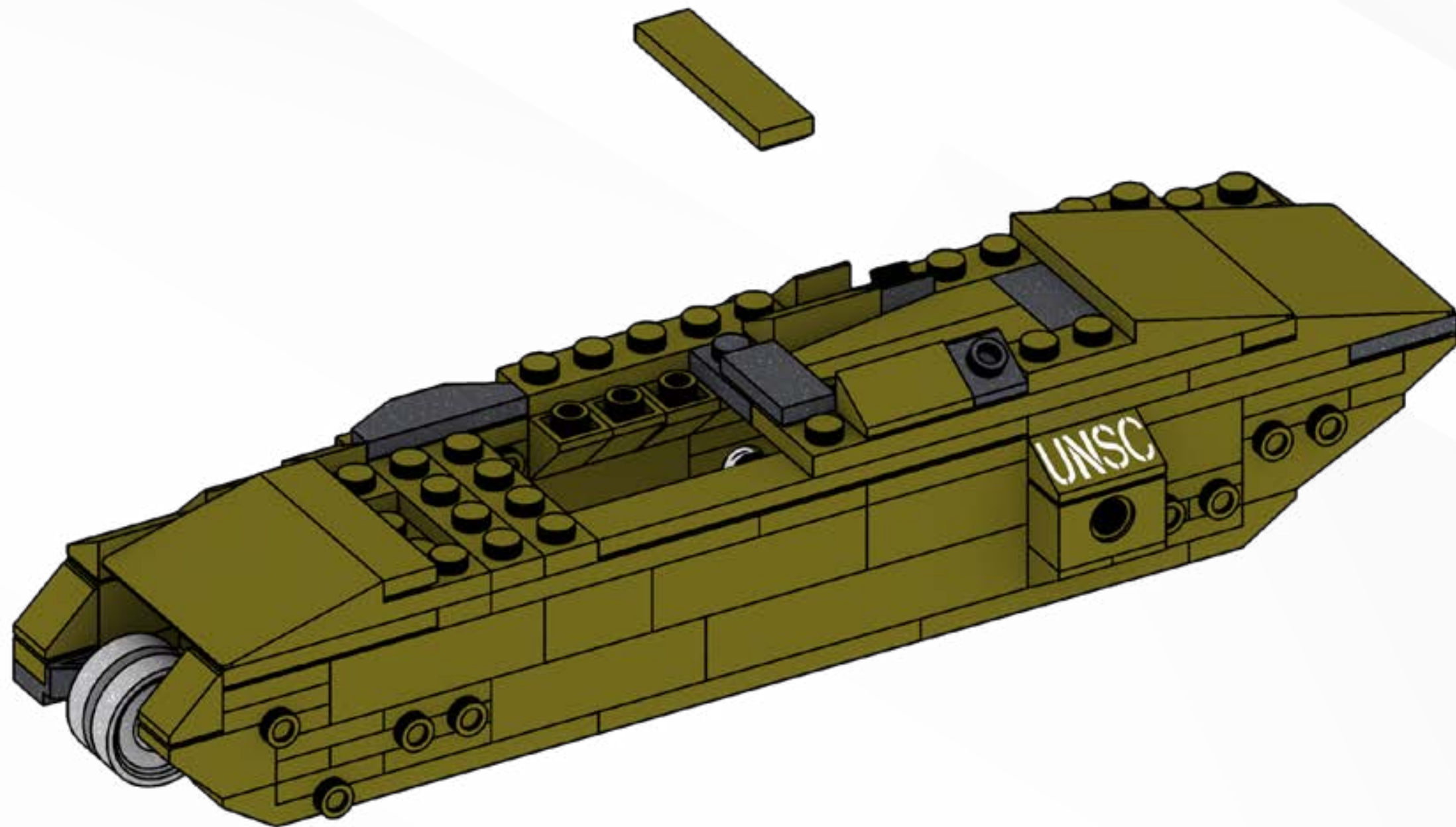


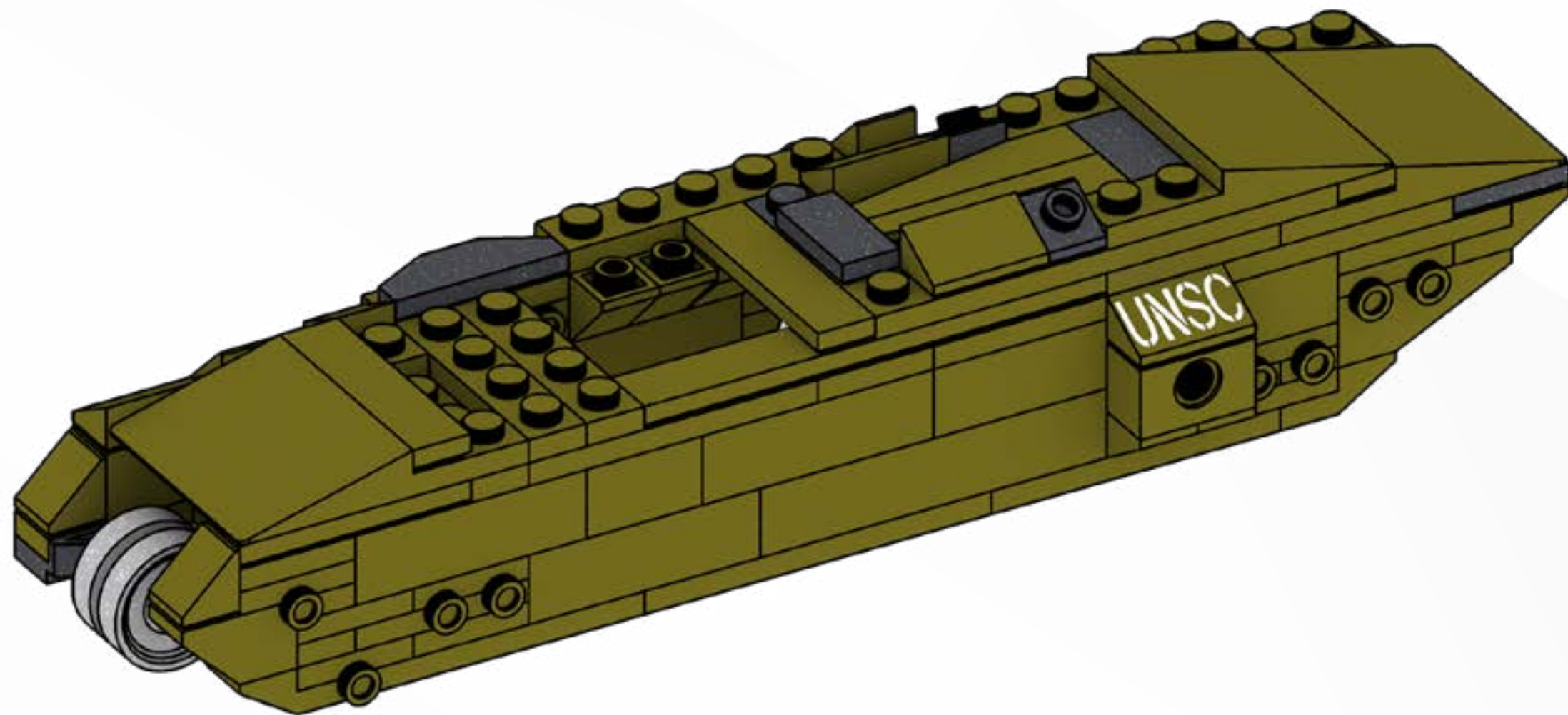


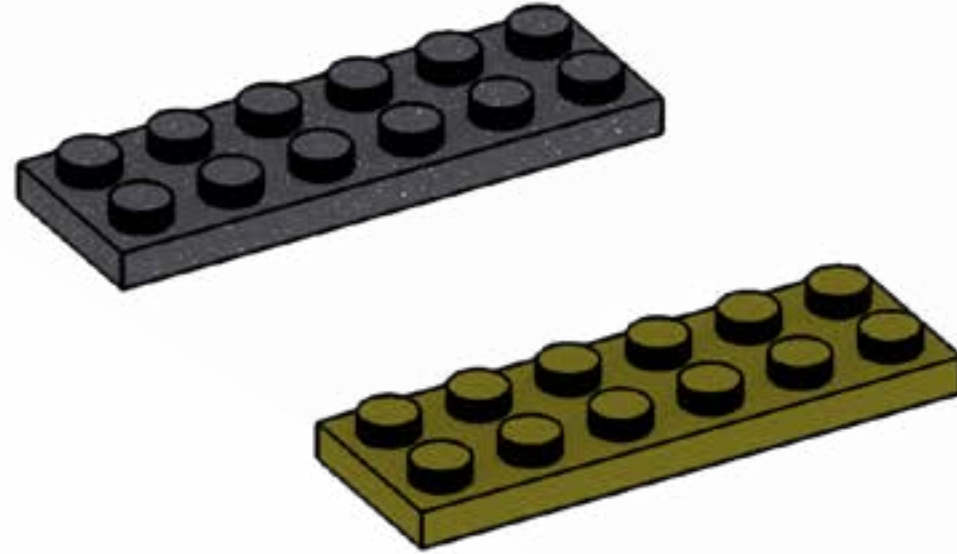


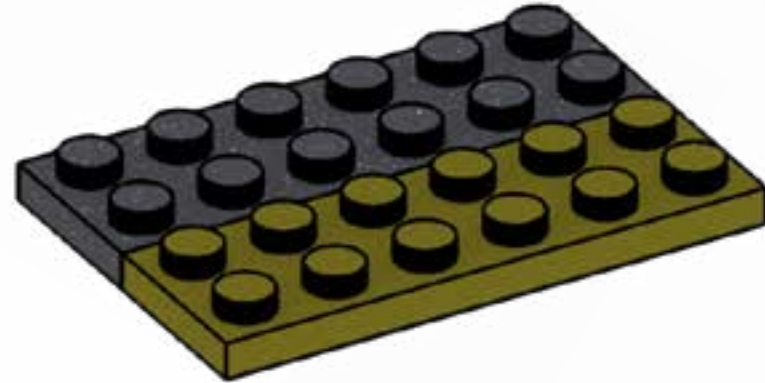


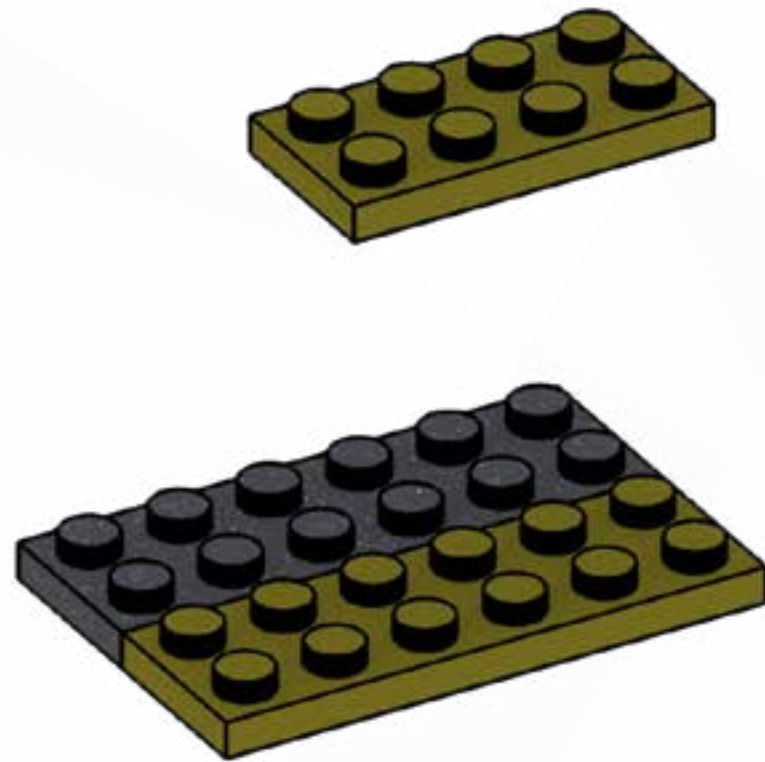


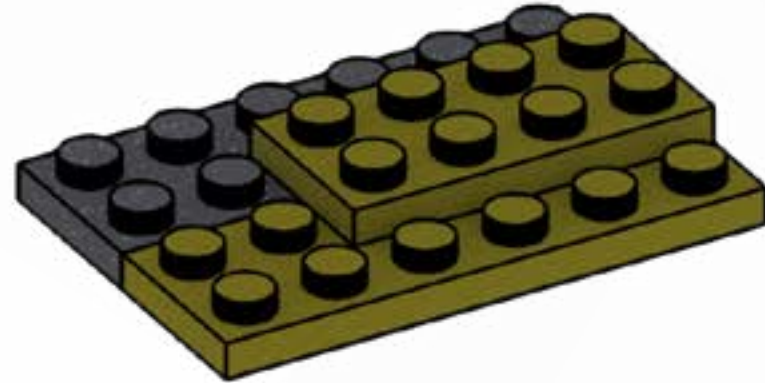


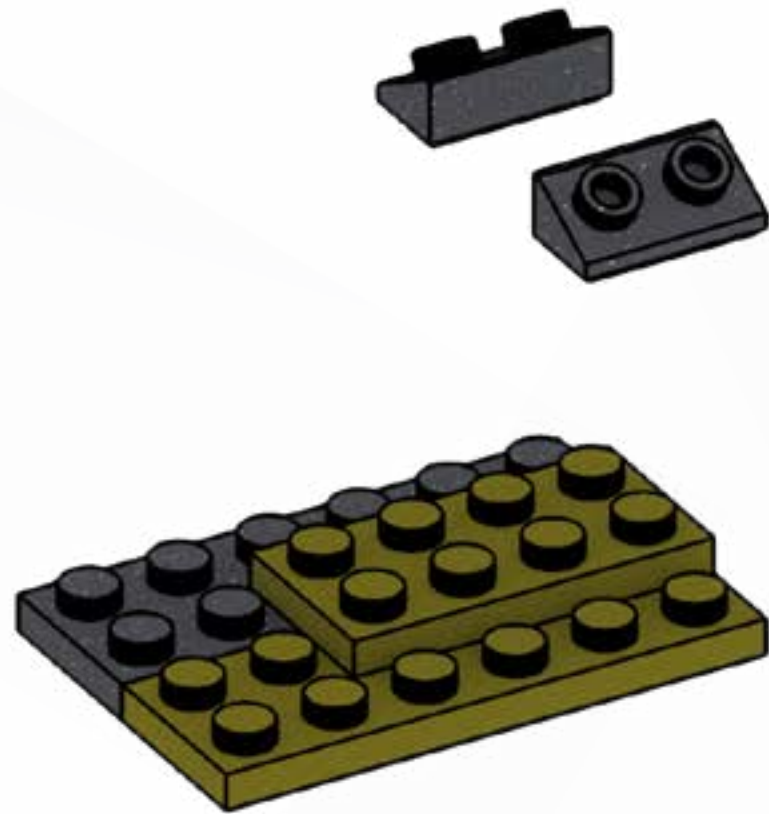


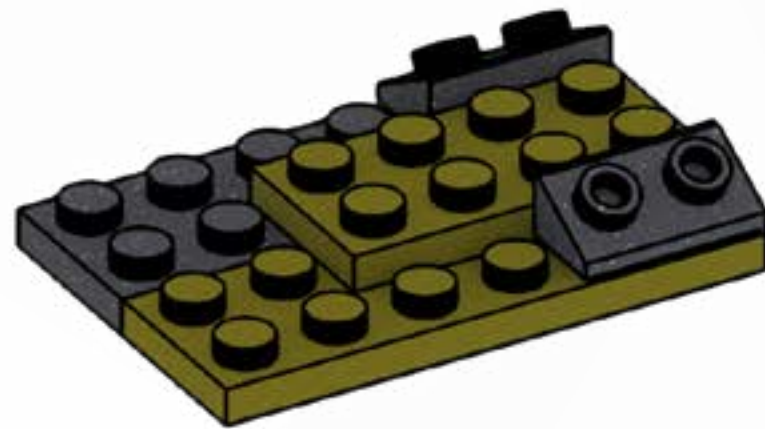


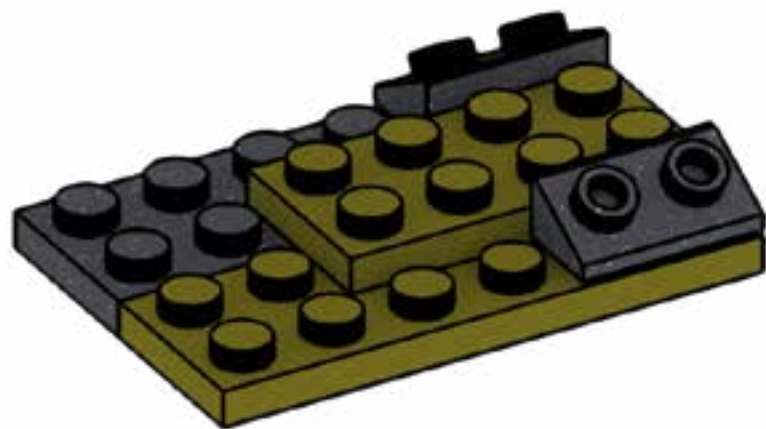
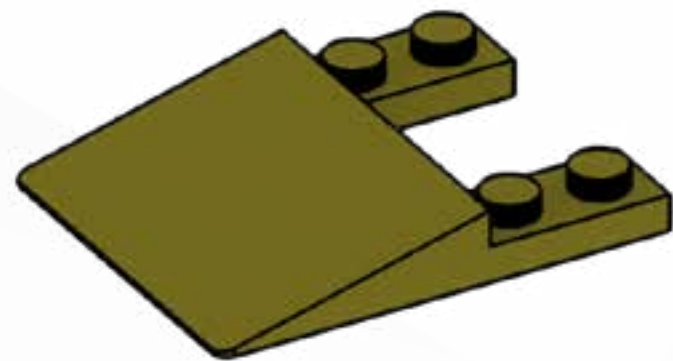


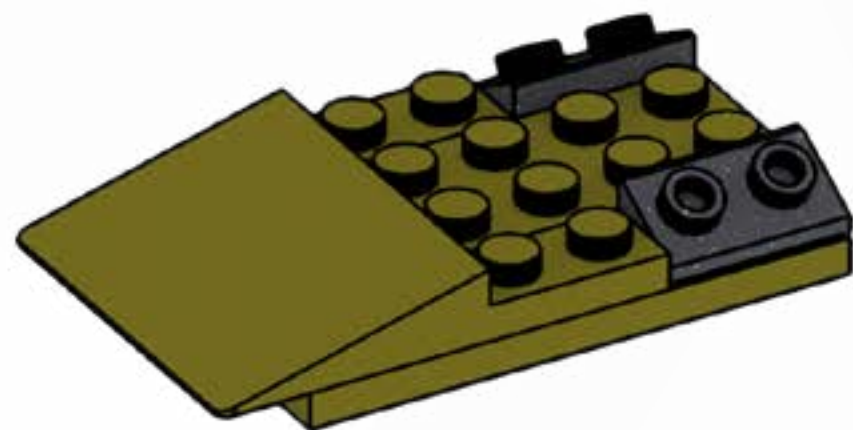


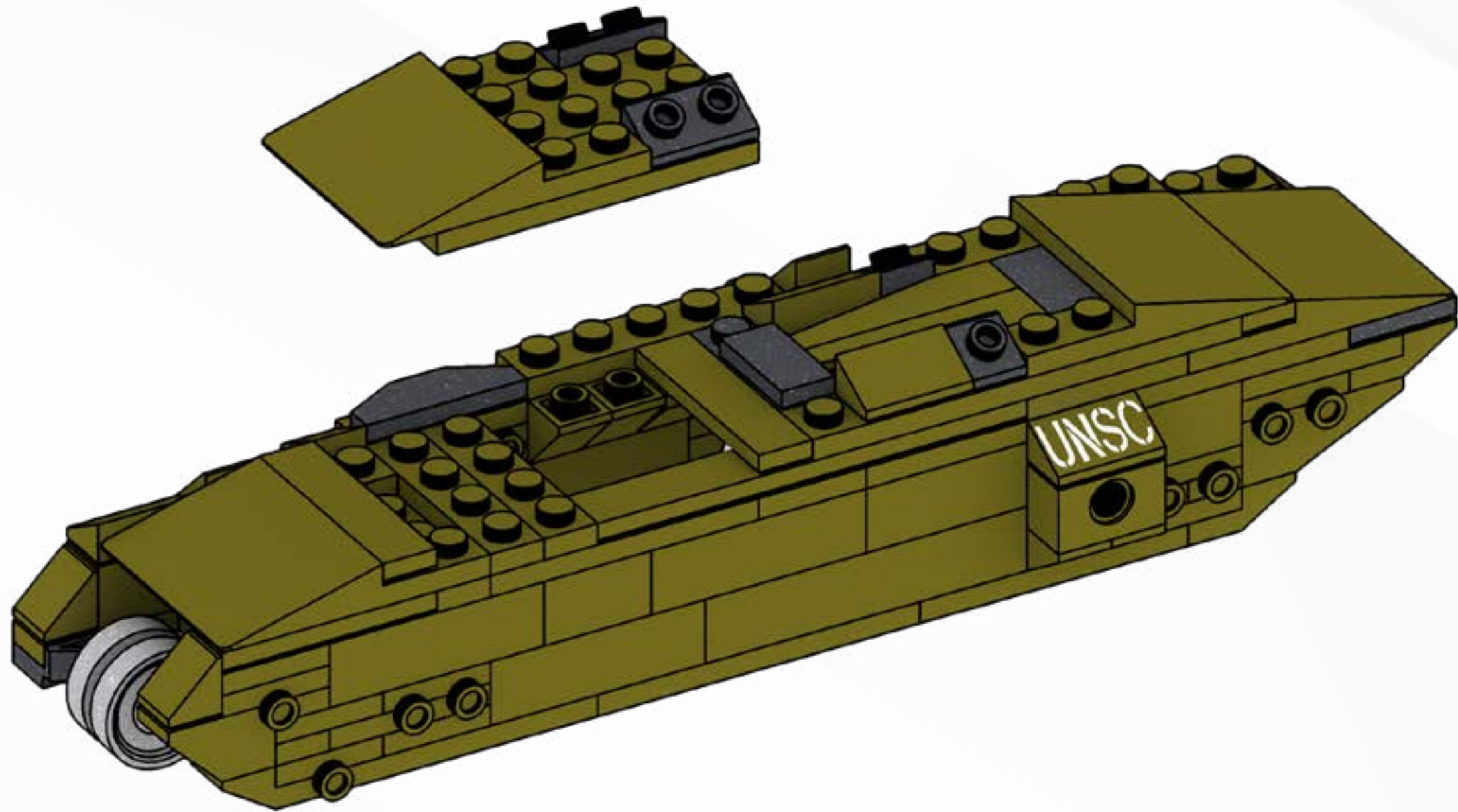


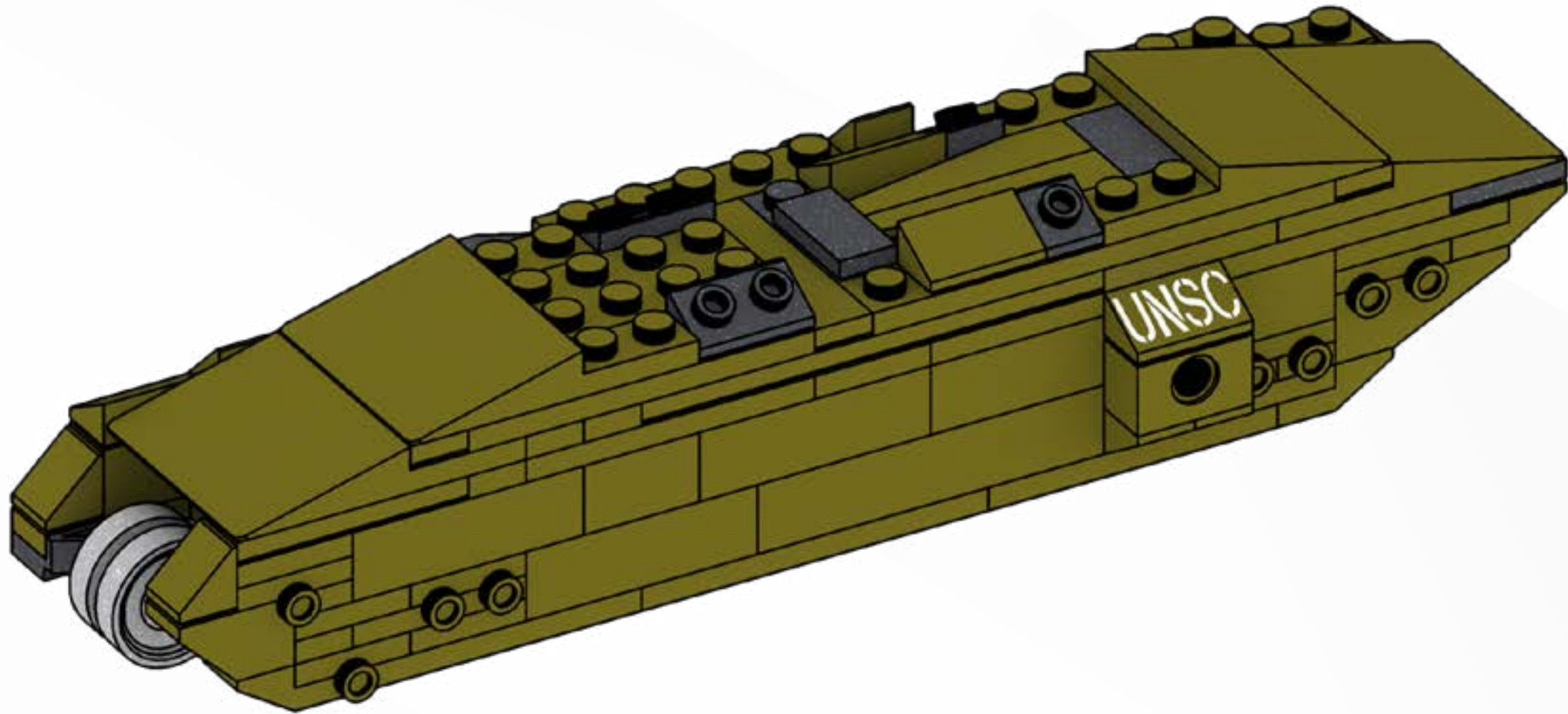


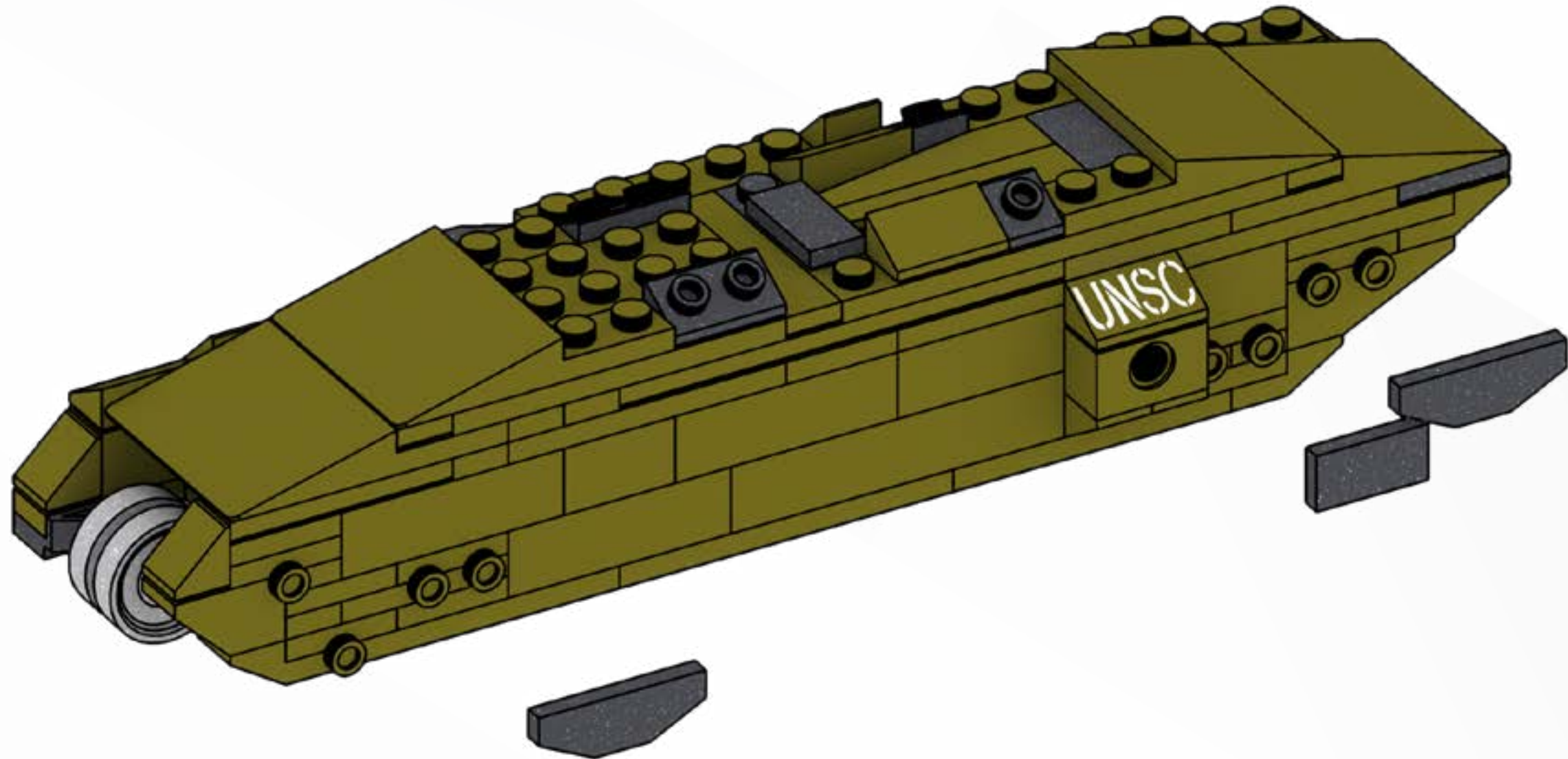


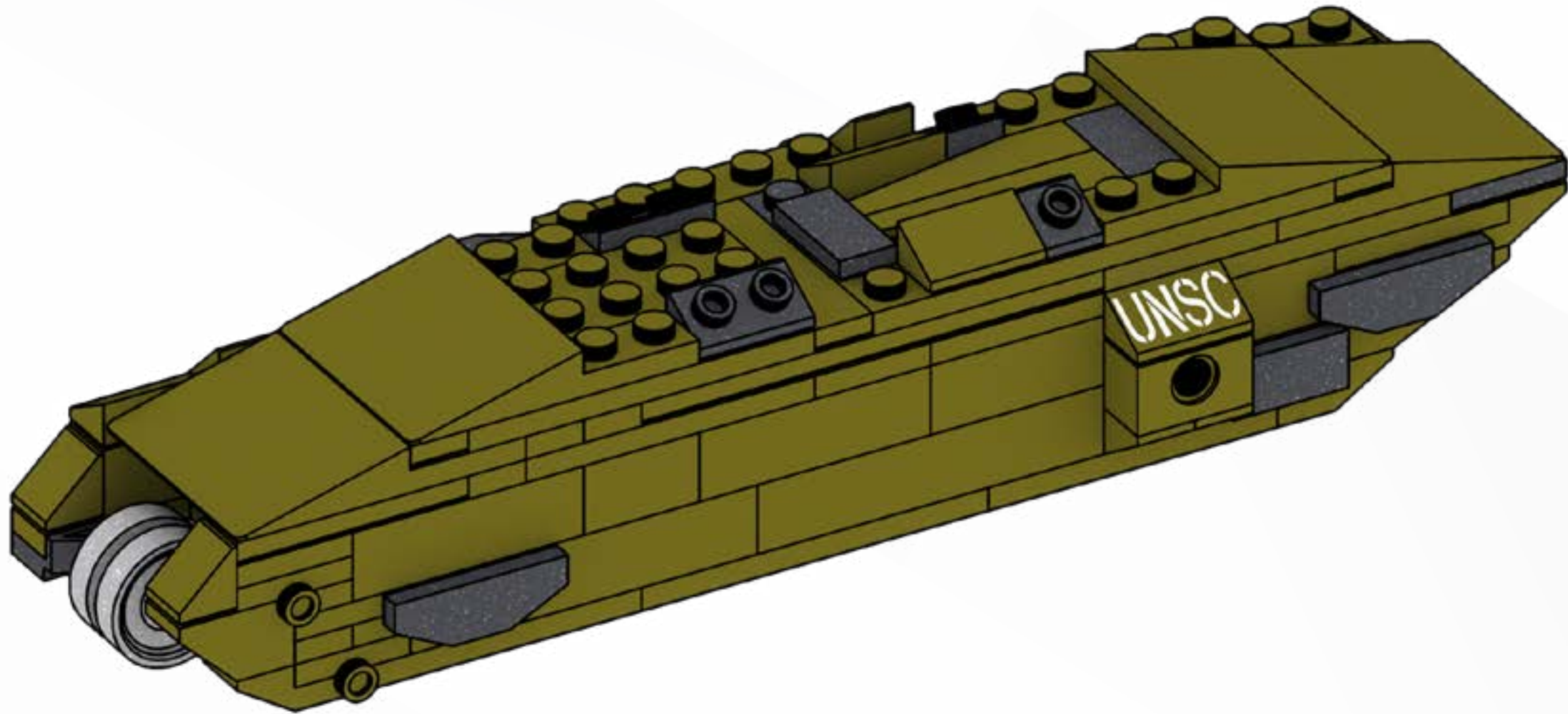


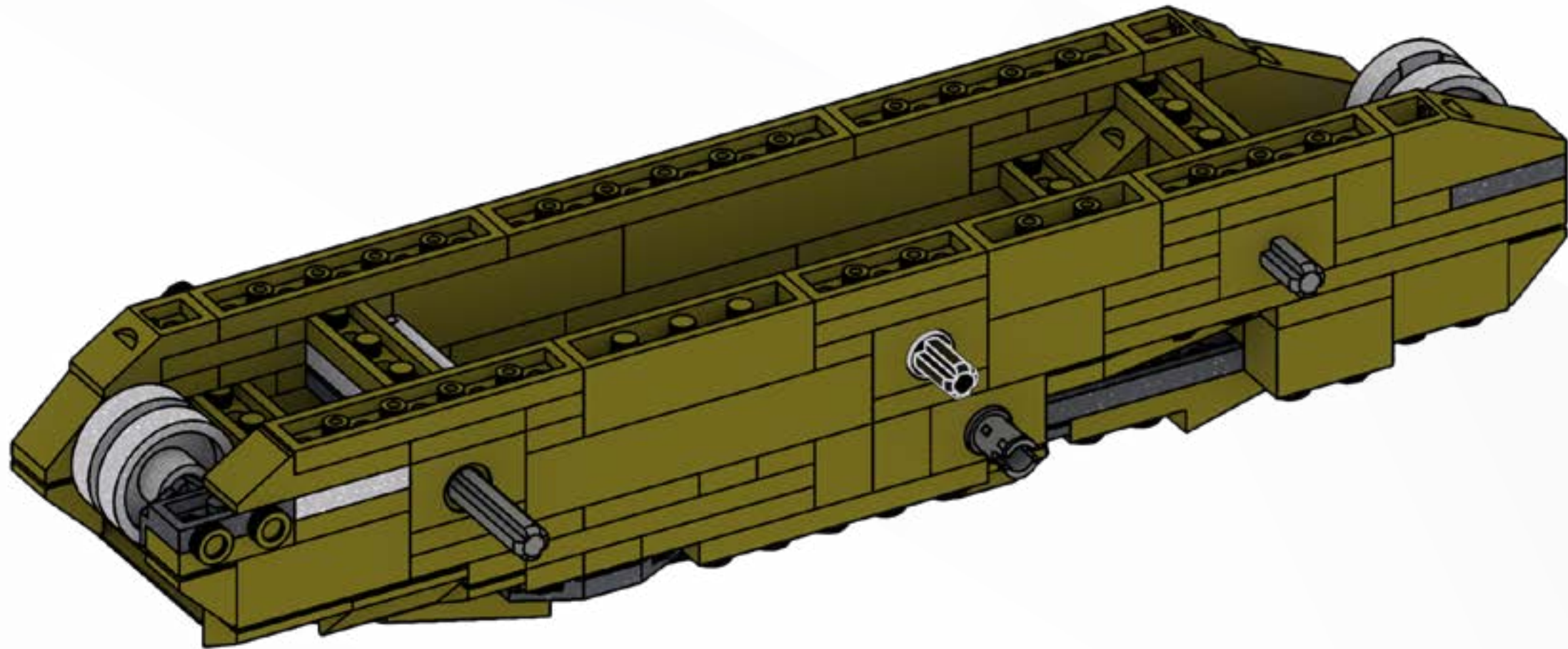
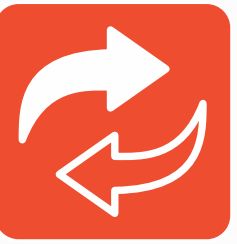


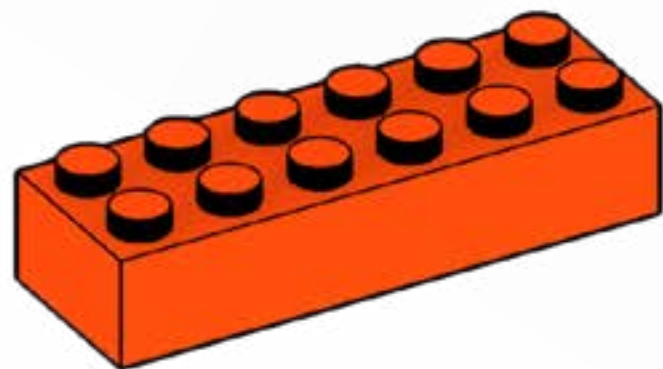
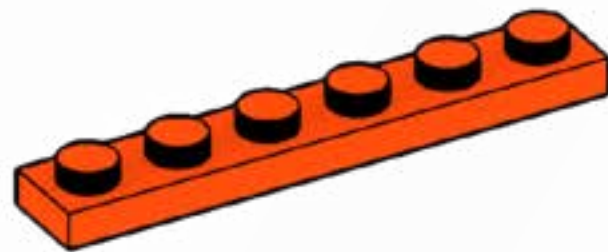


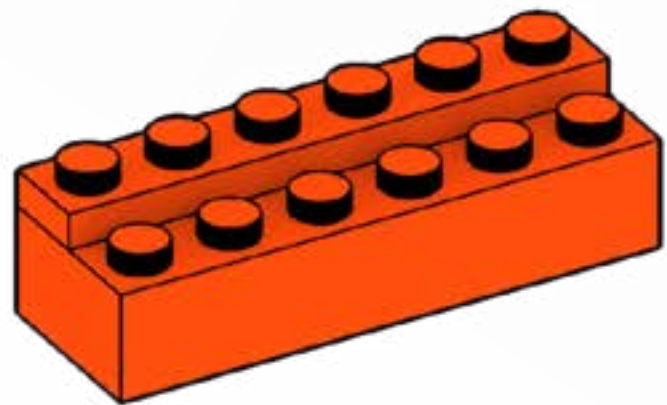


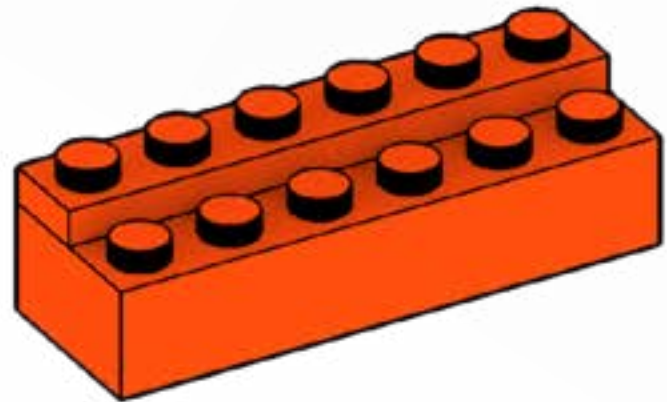
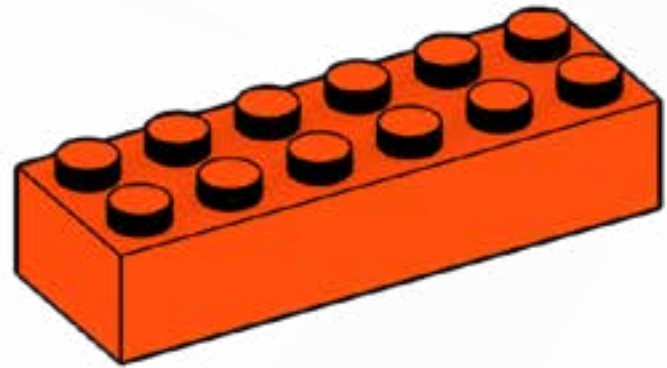


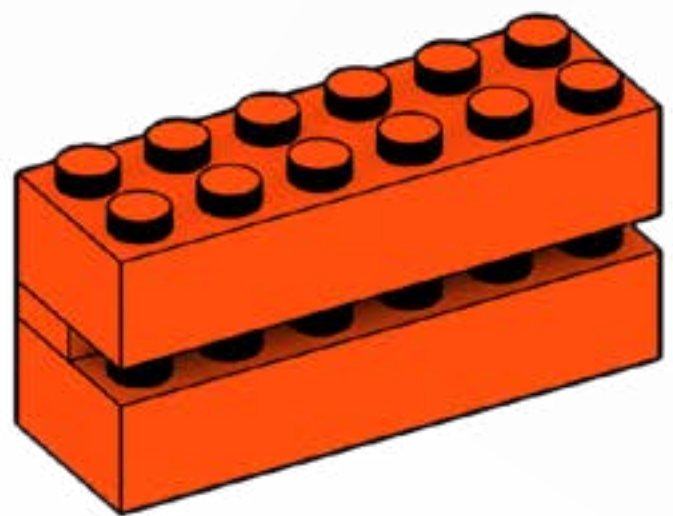


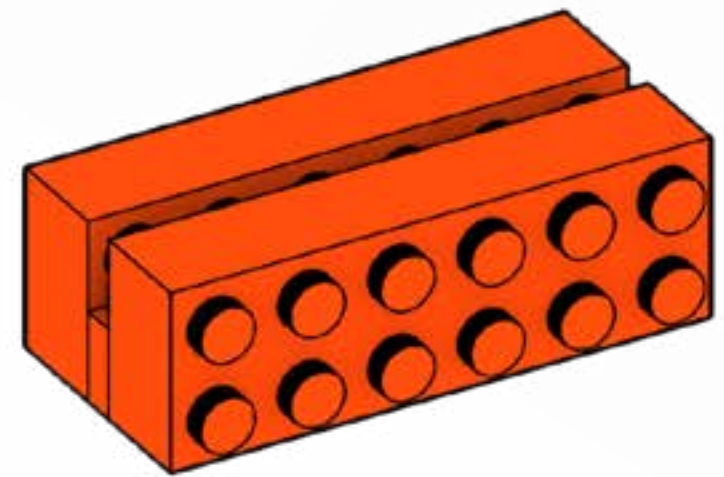
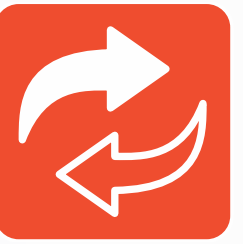


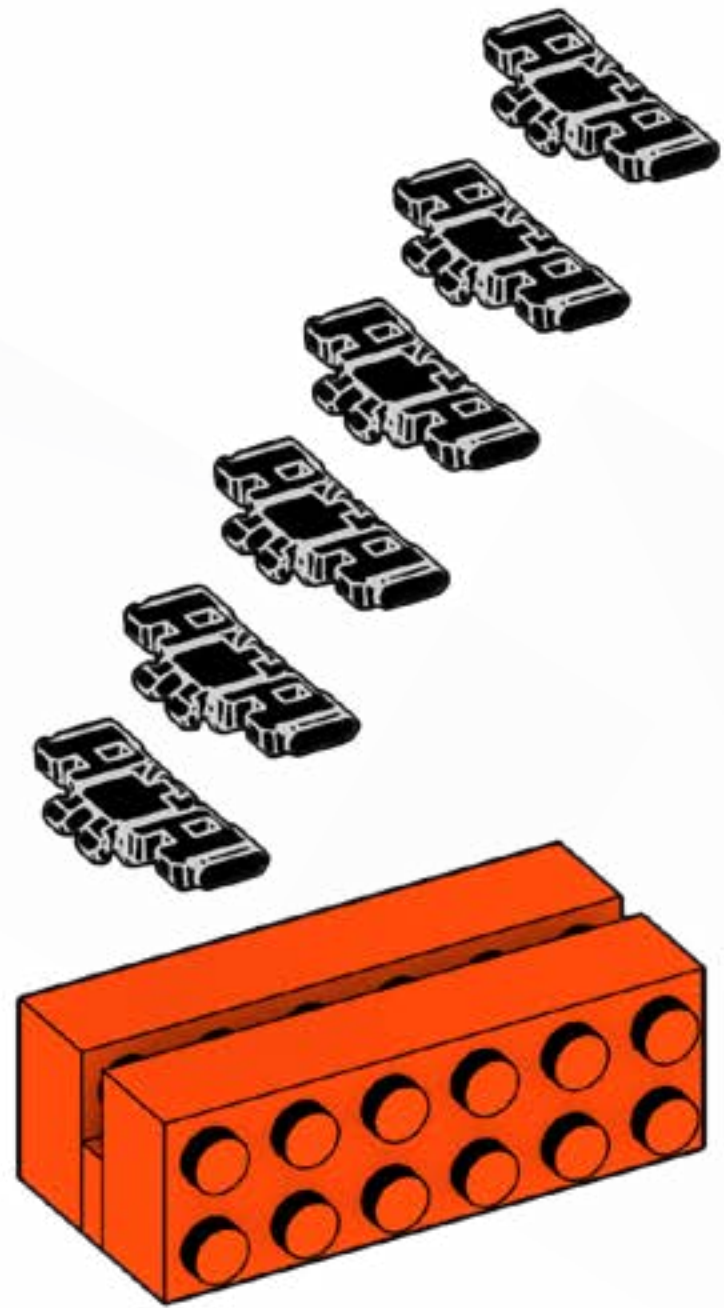


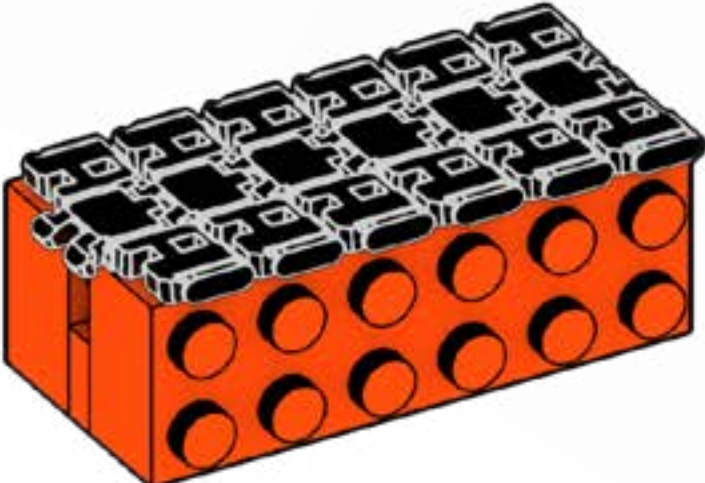


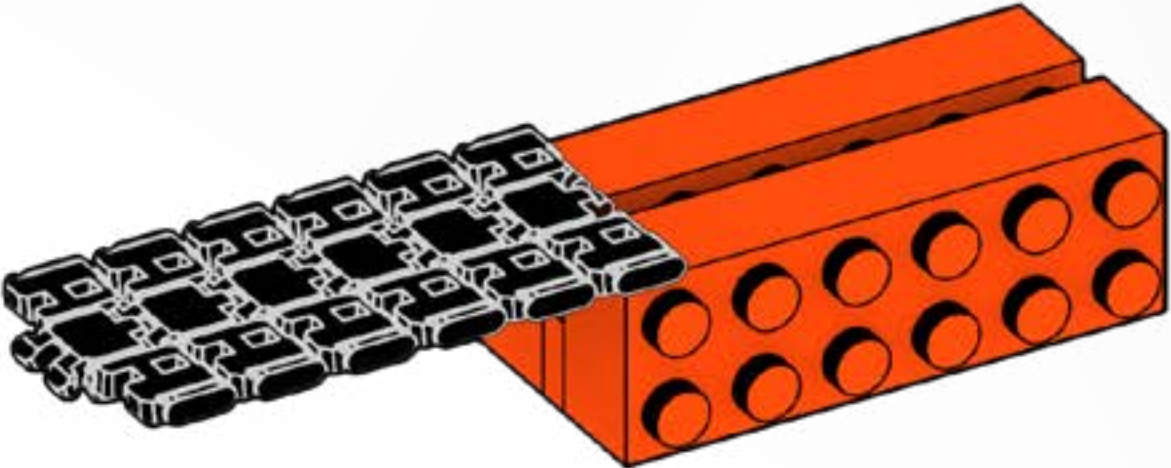


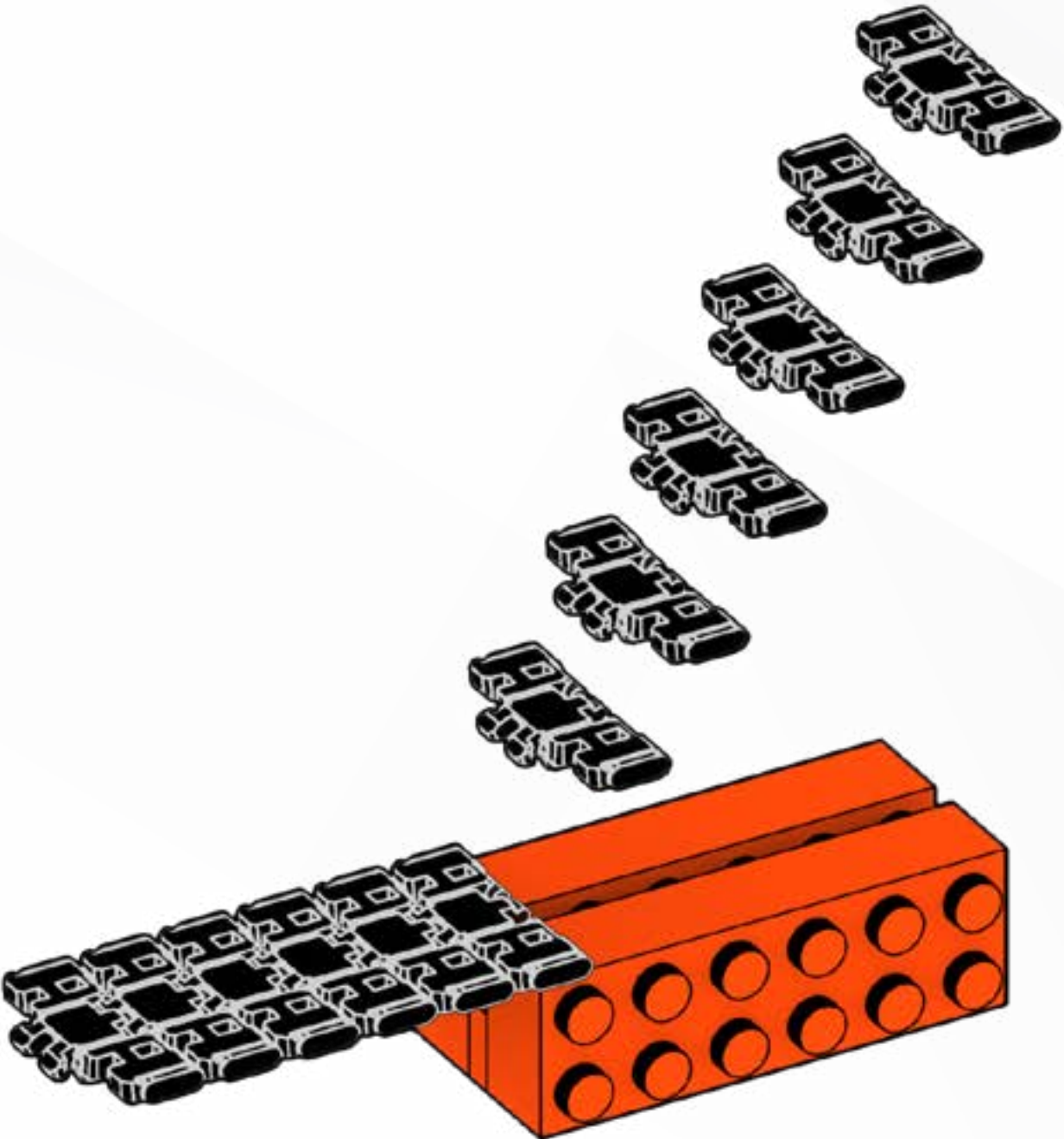


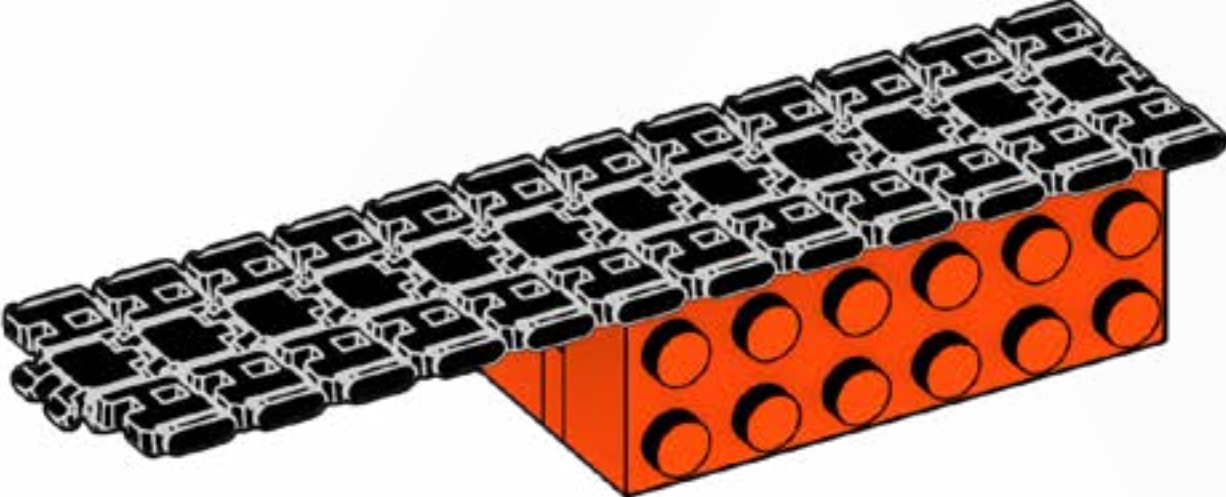


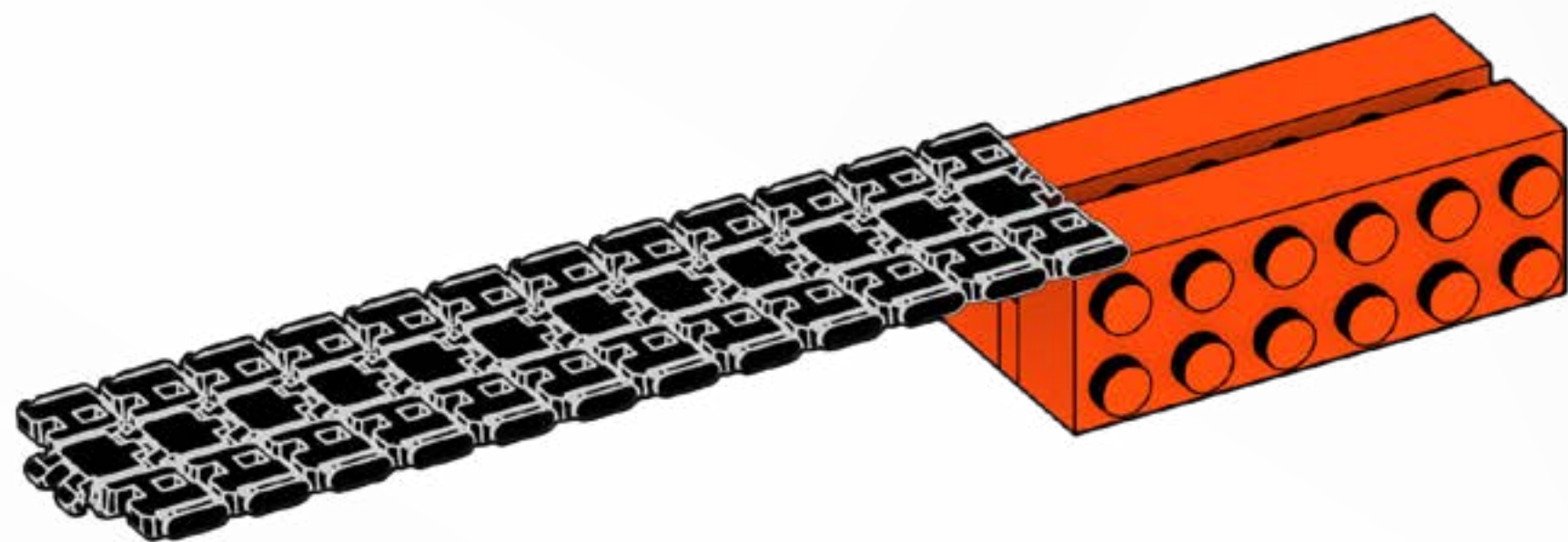


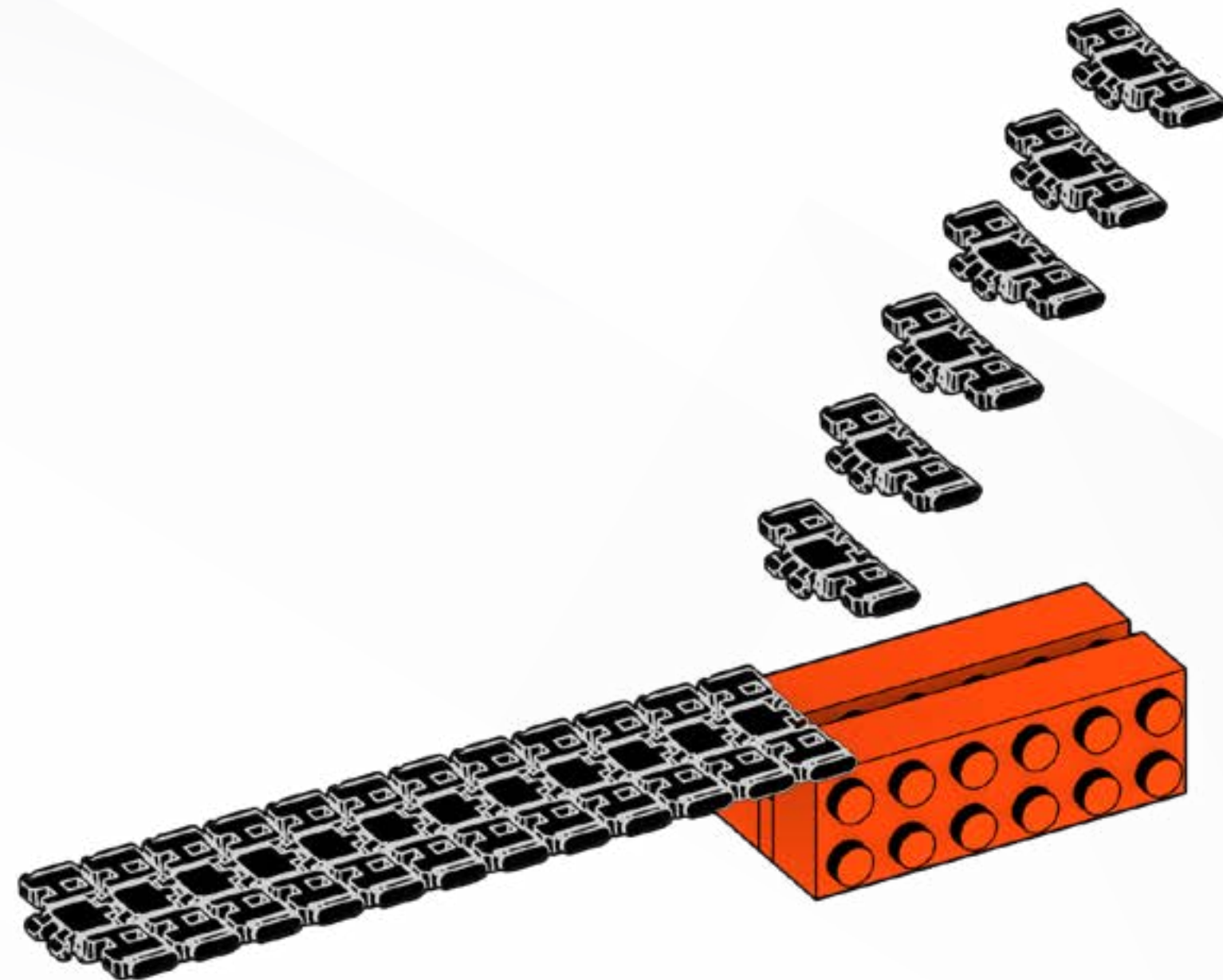


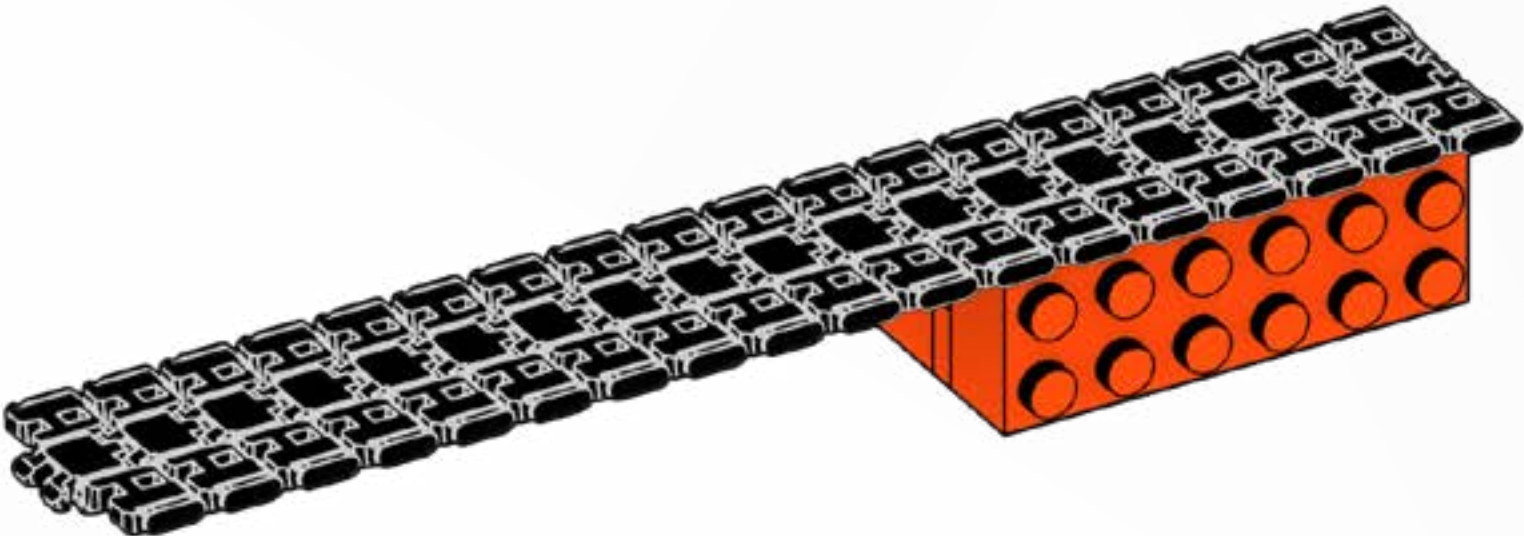




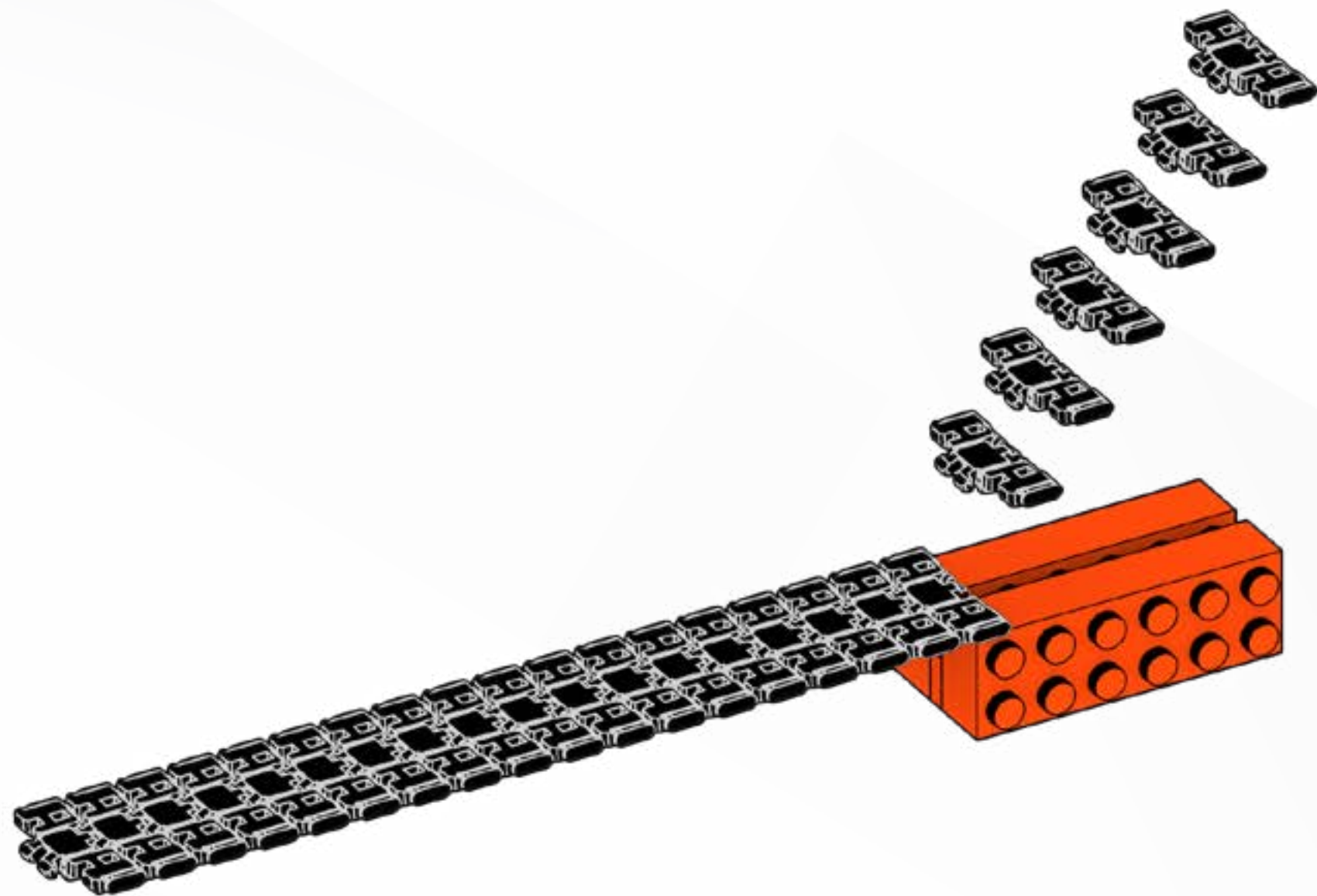


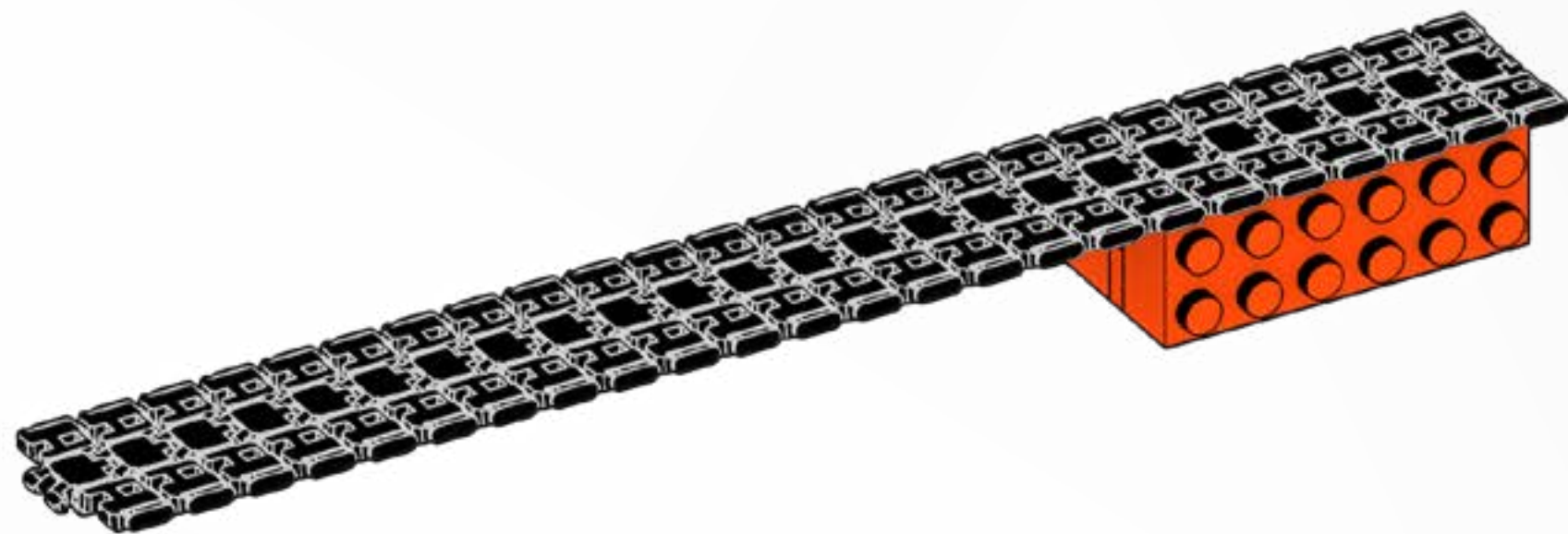




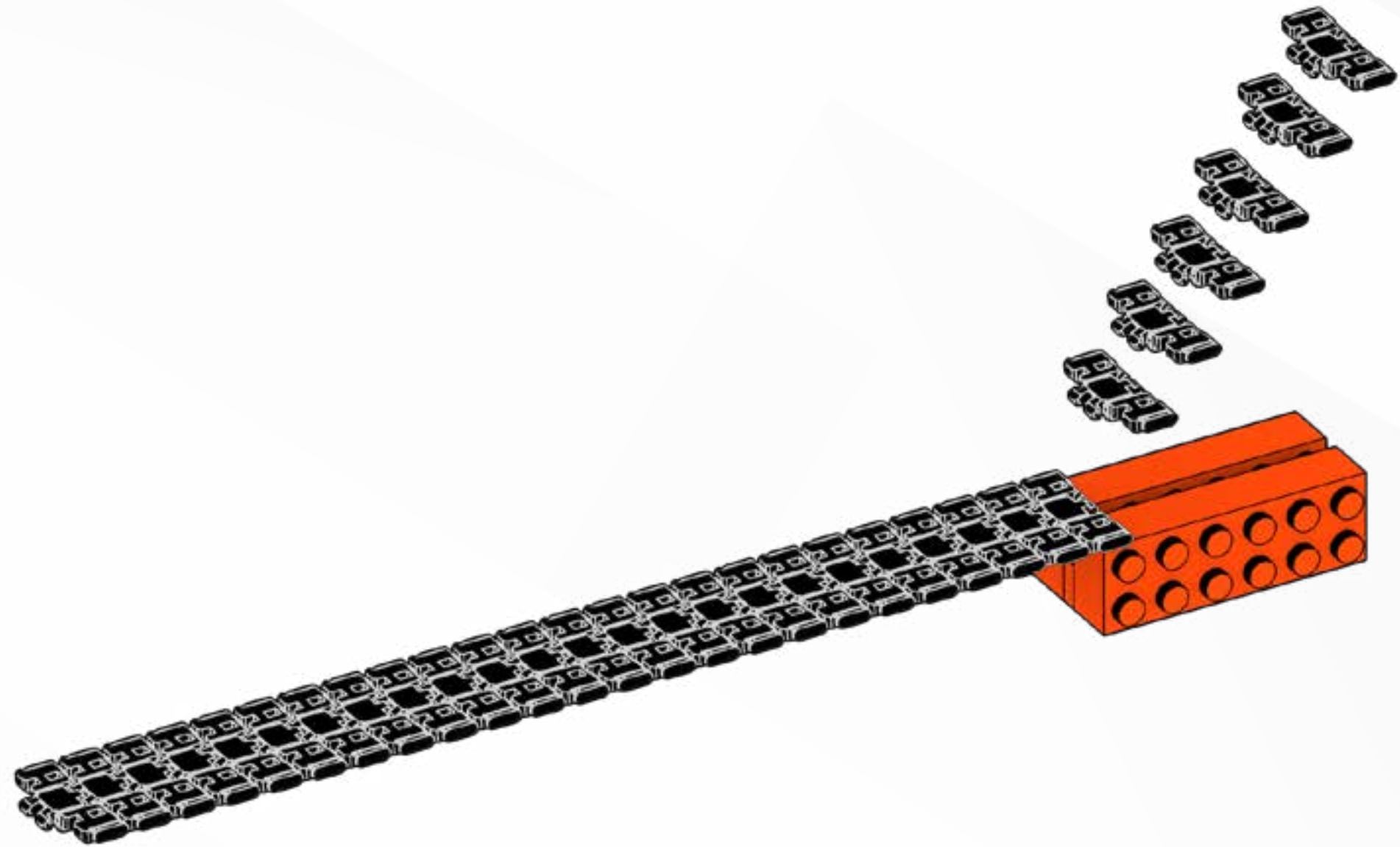


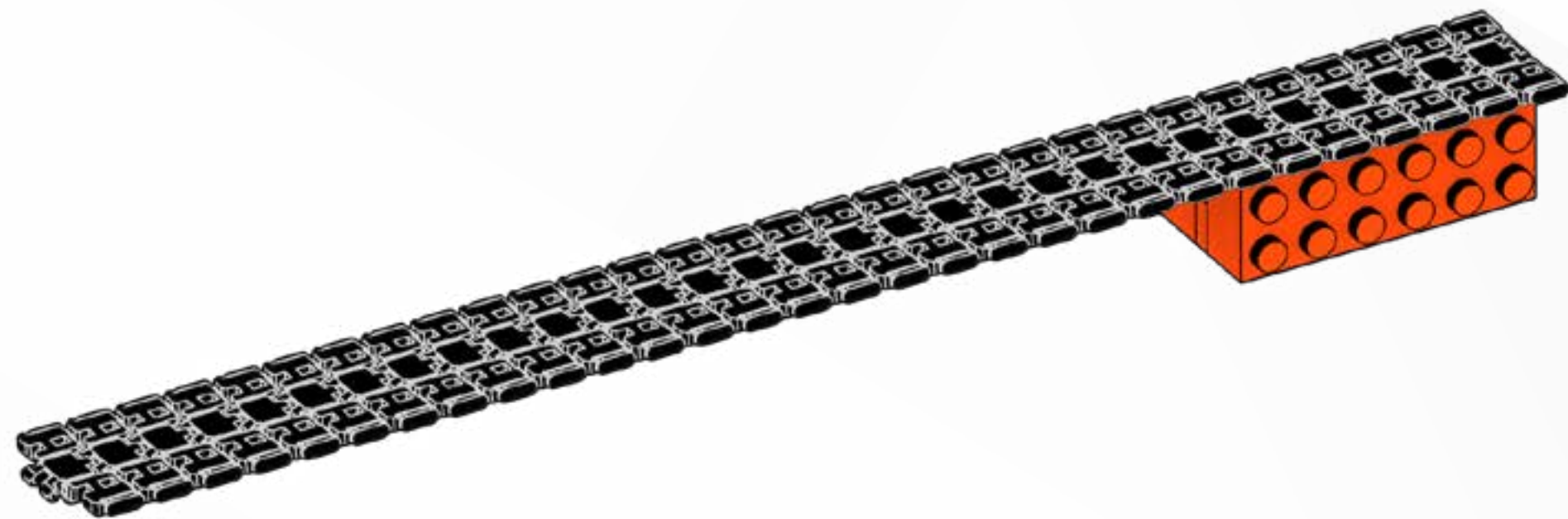








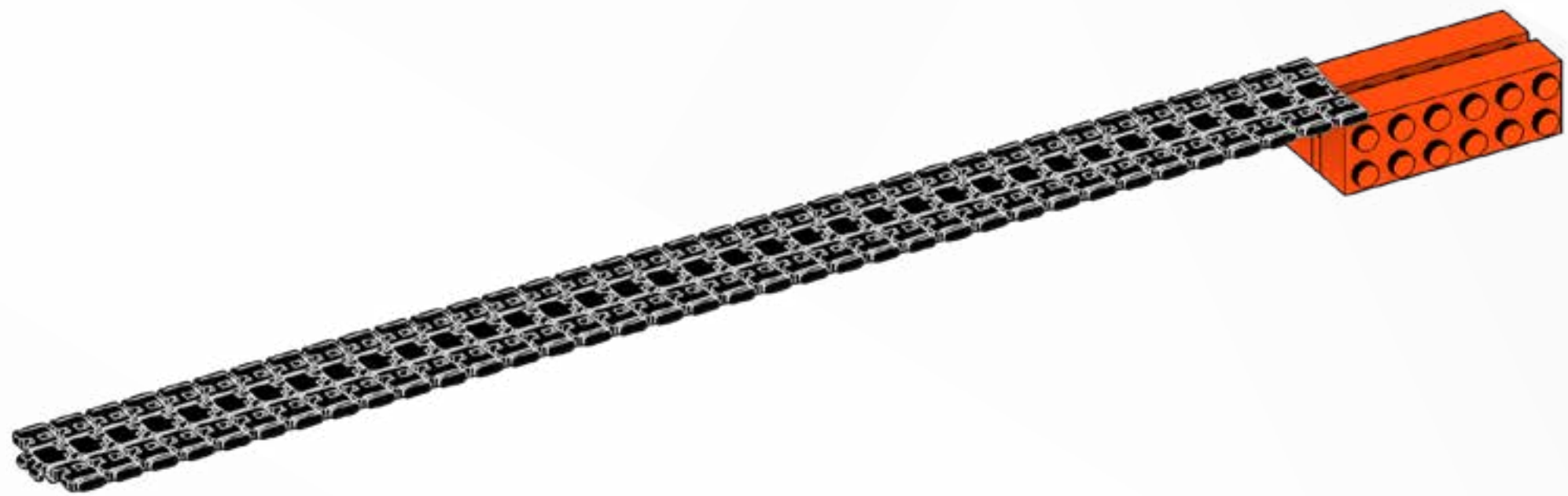














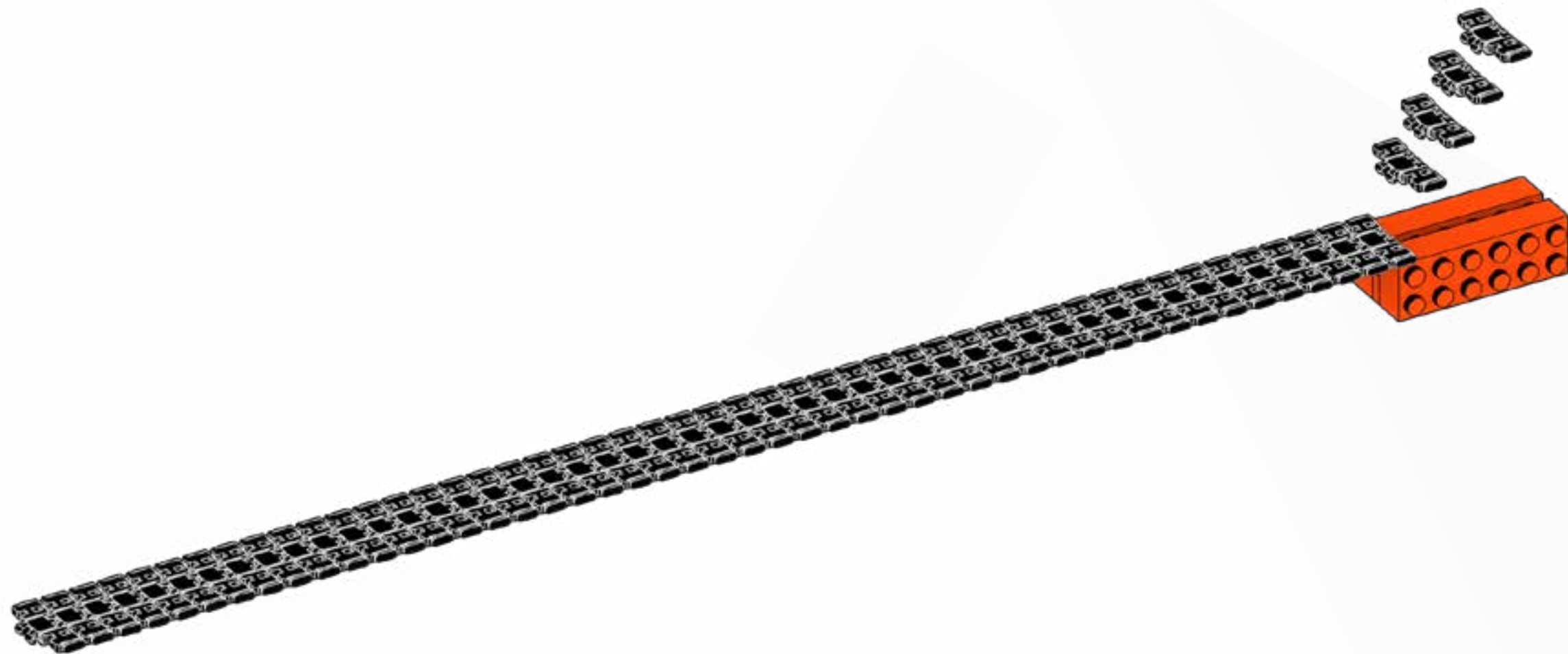






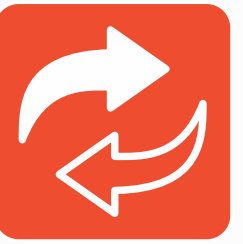


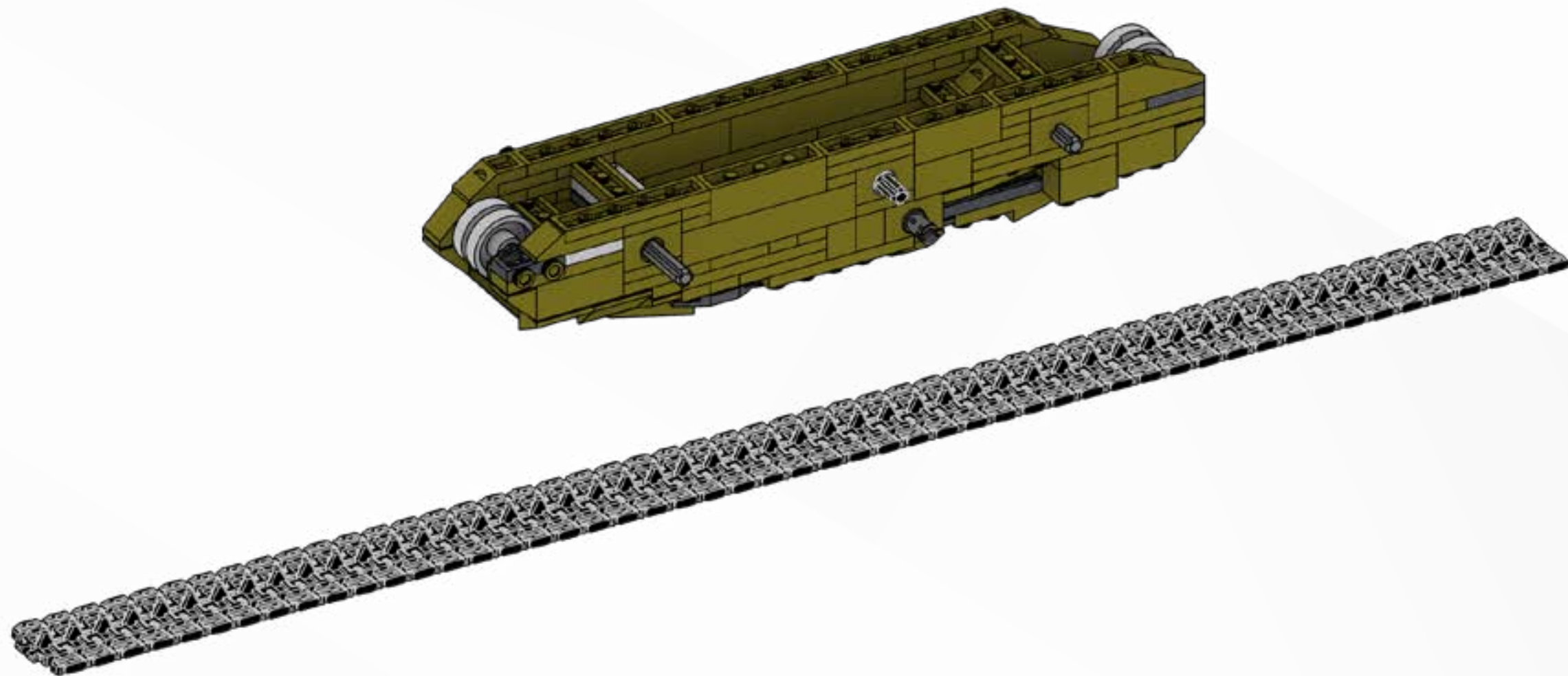


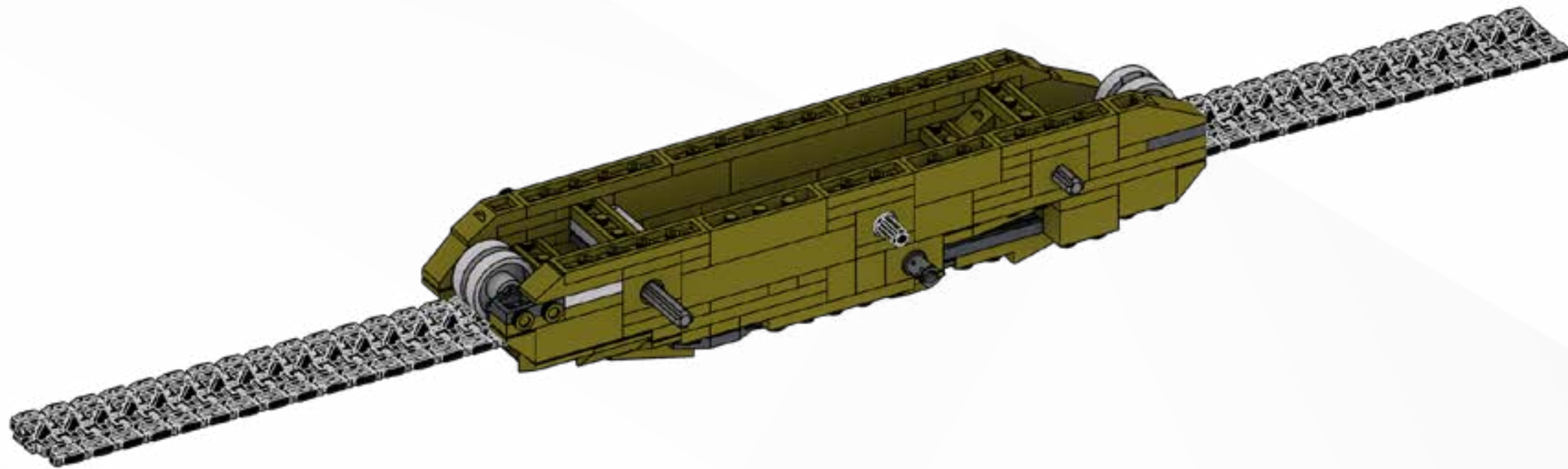


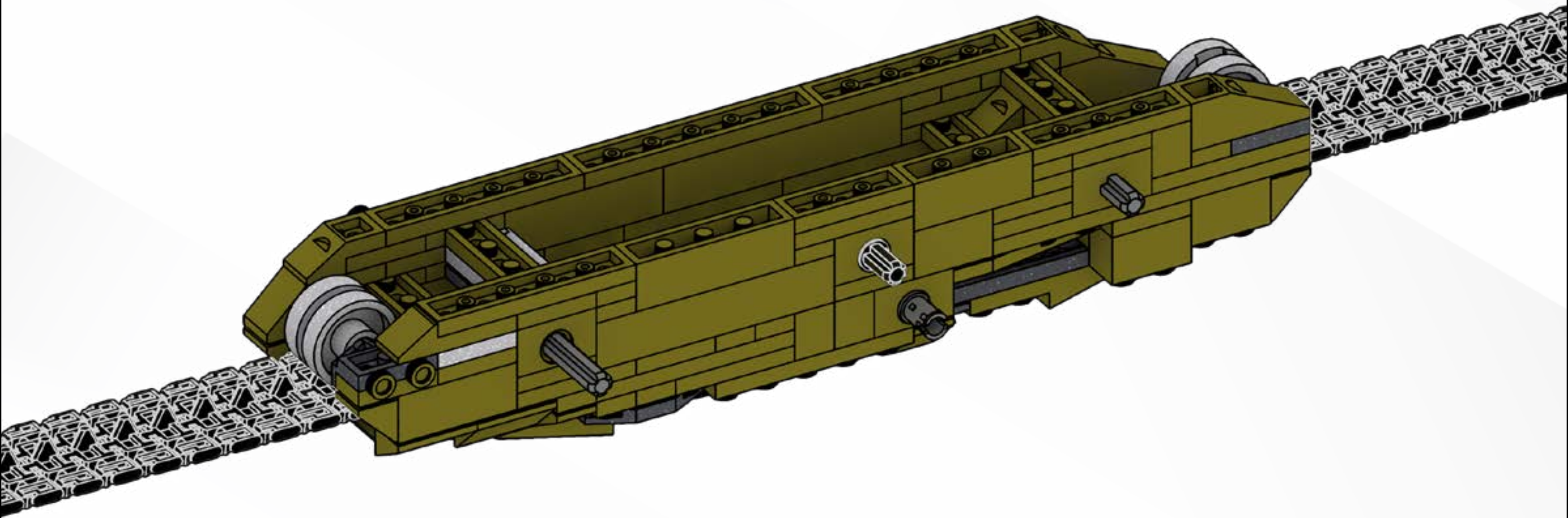












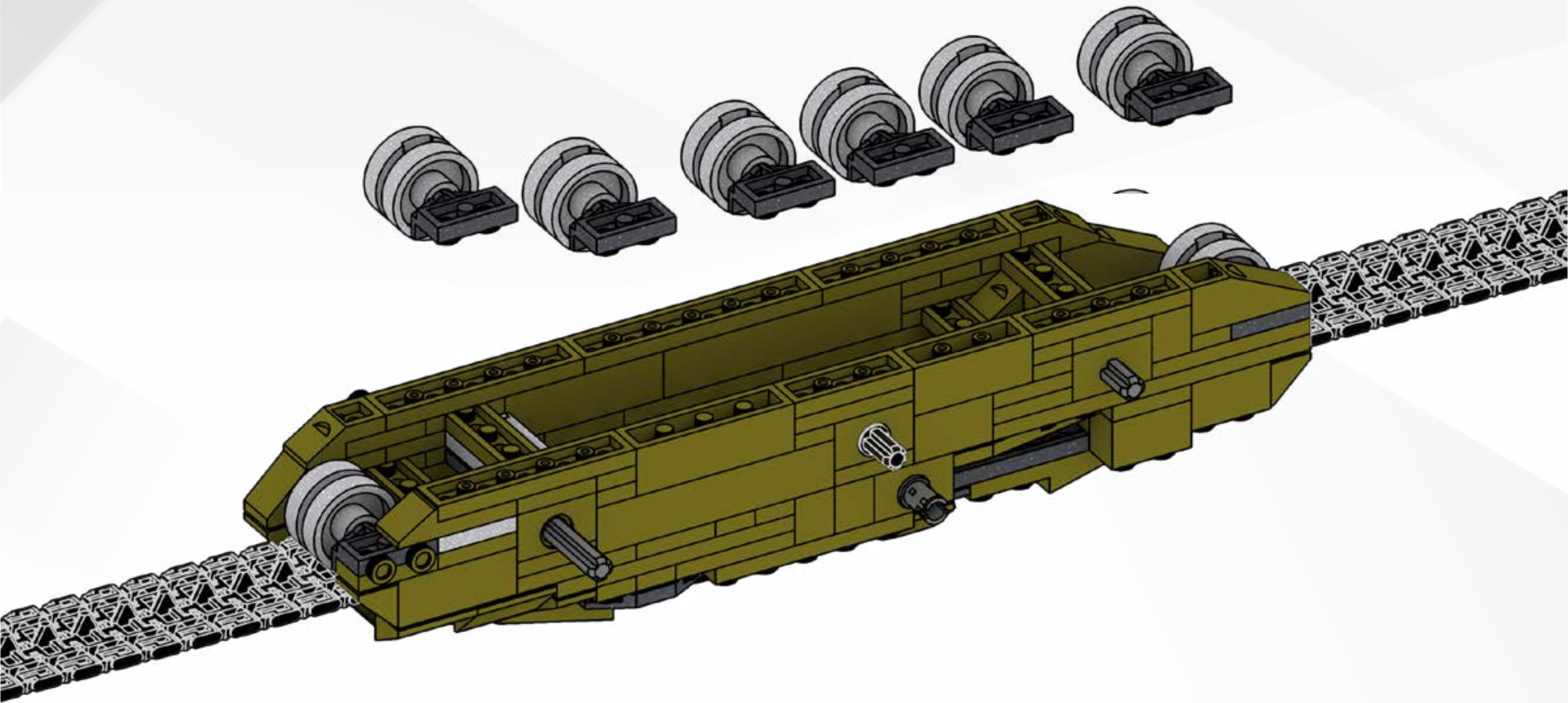


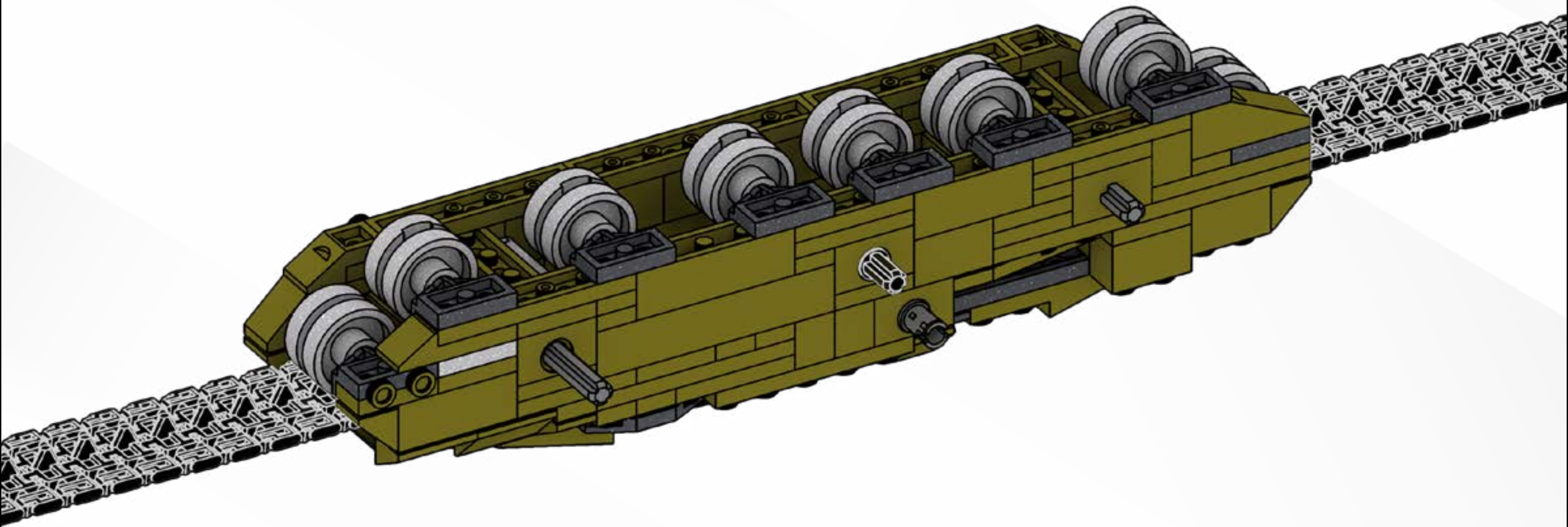
x6

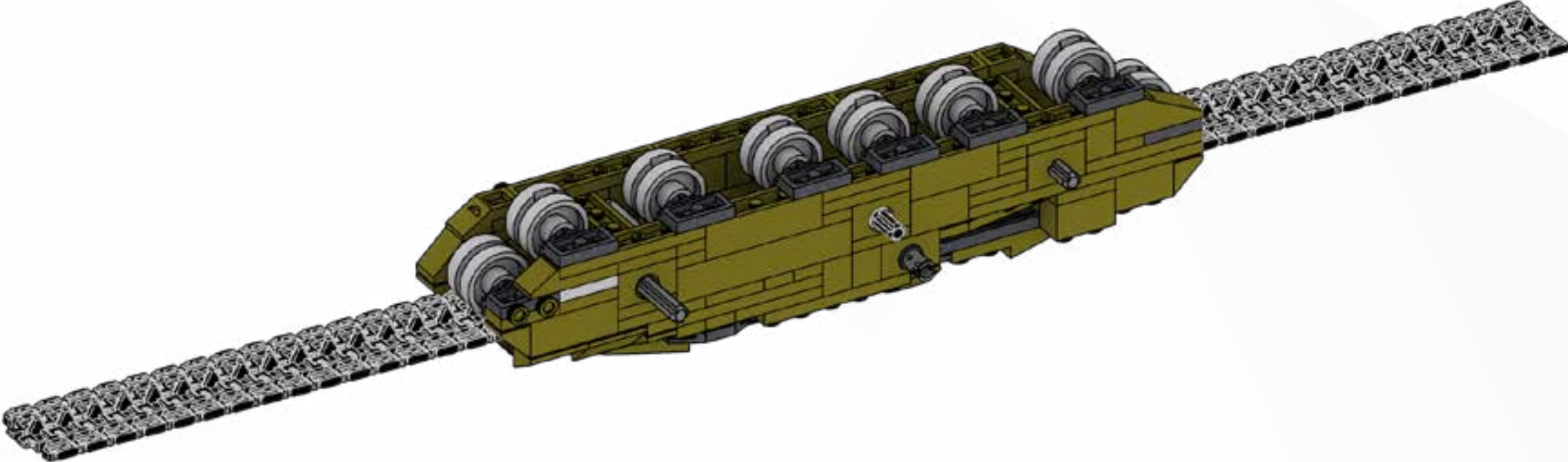


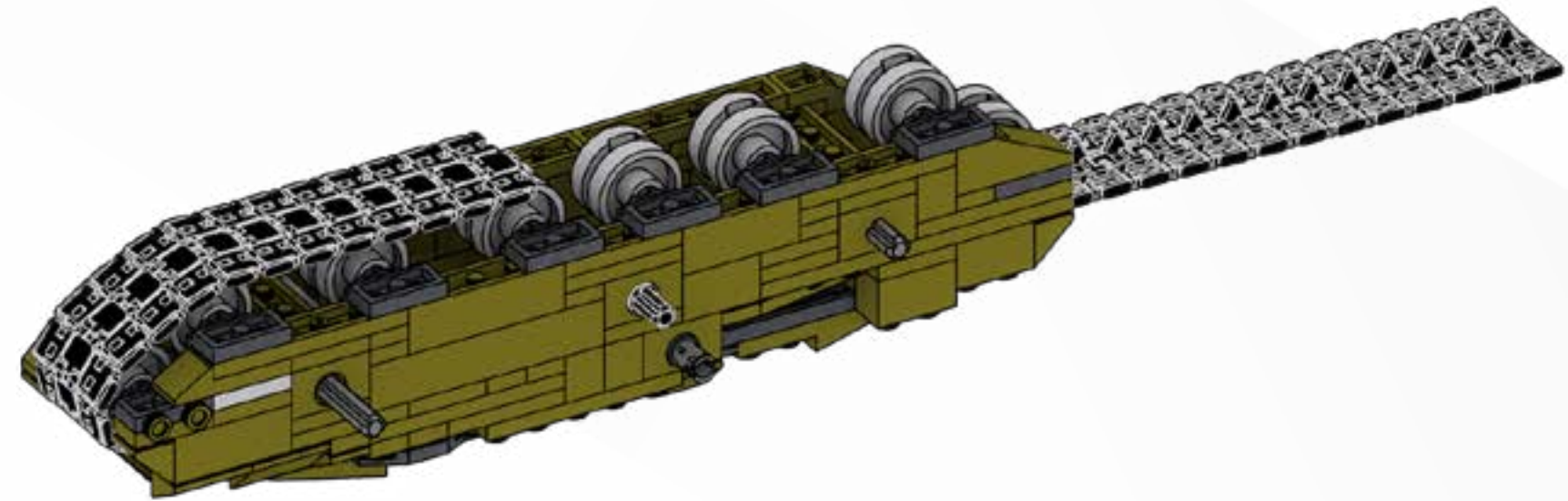


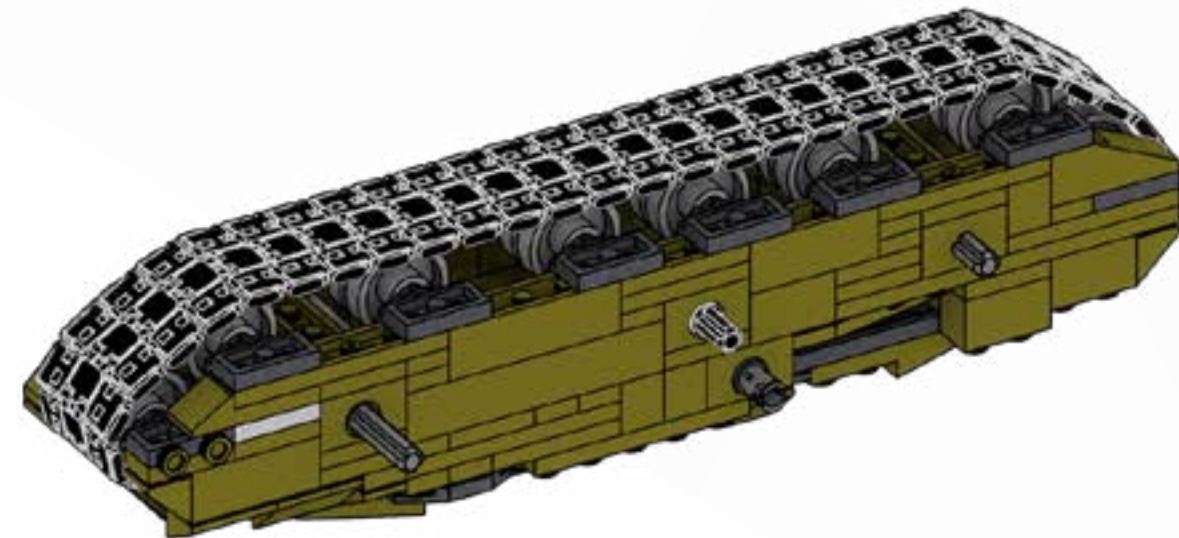
x6

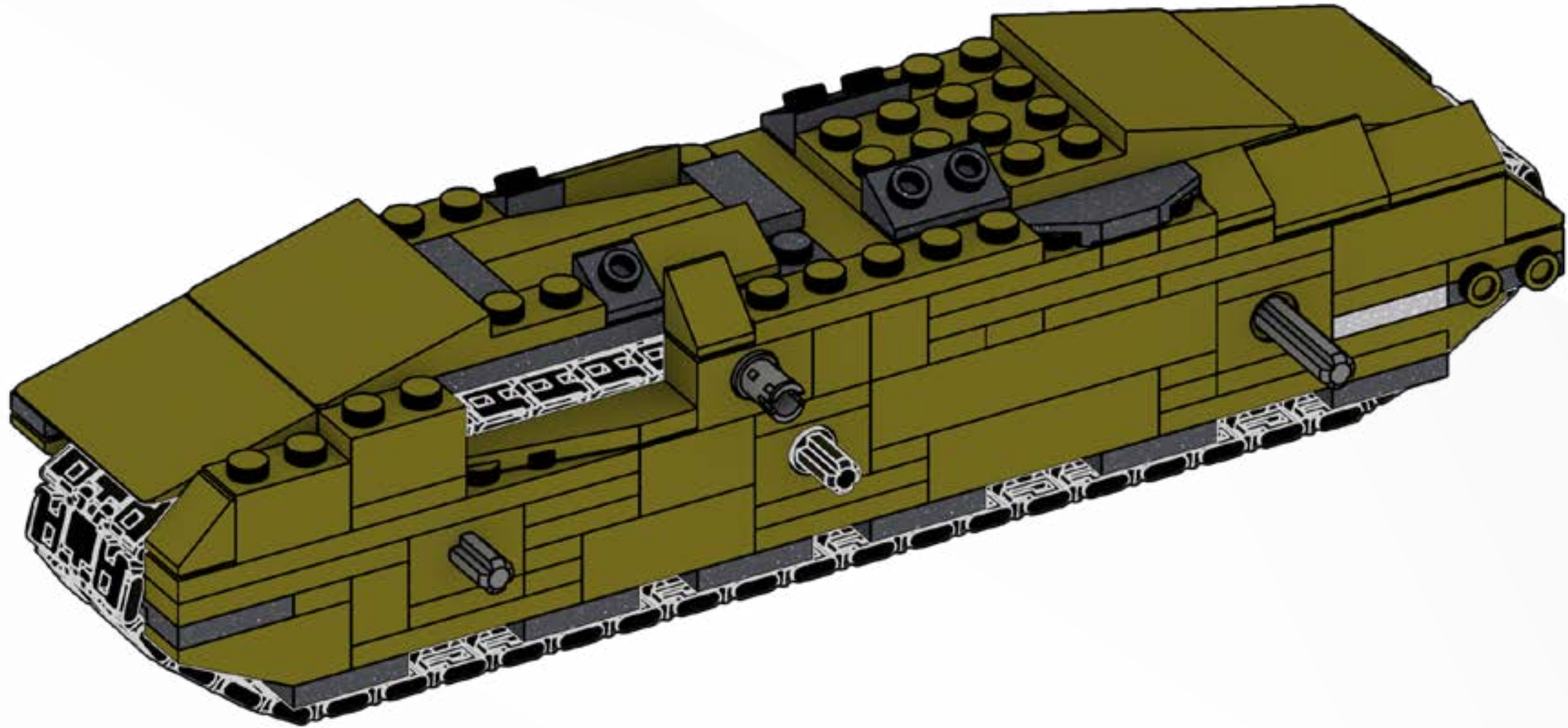
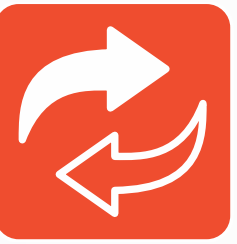


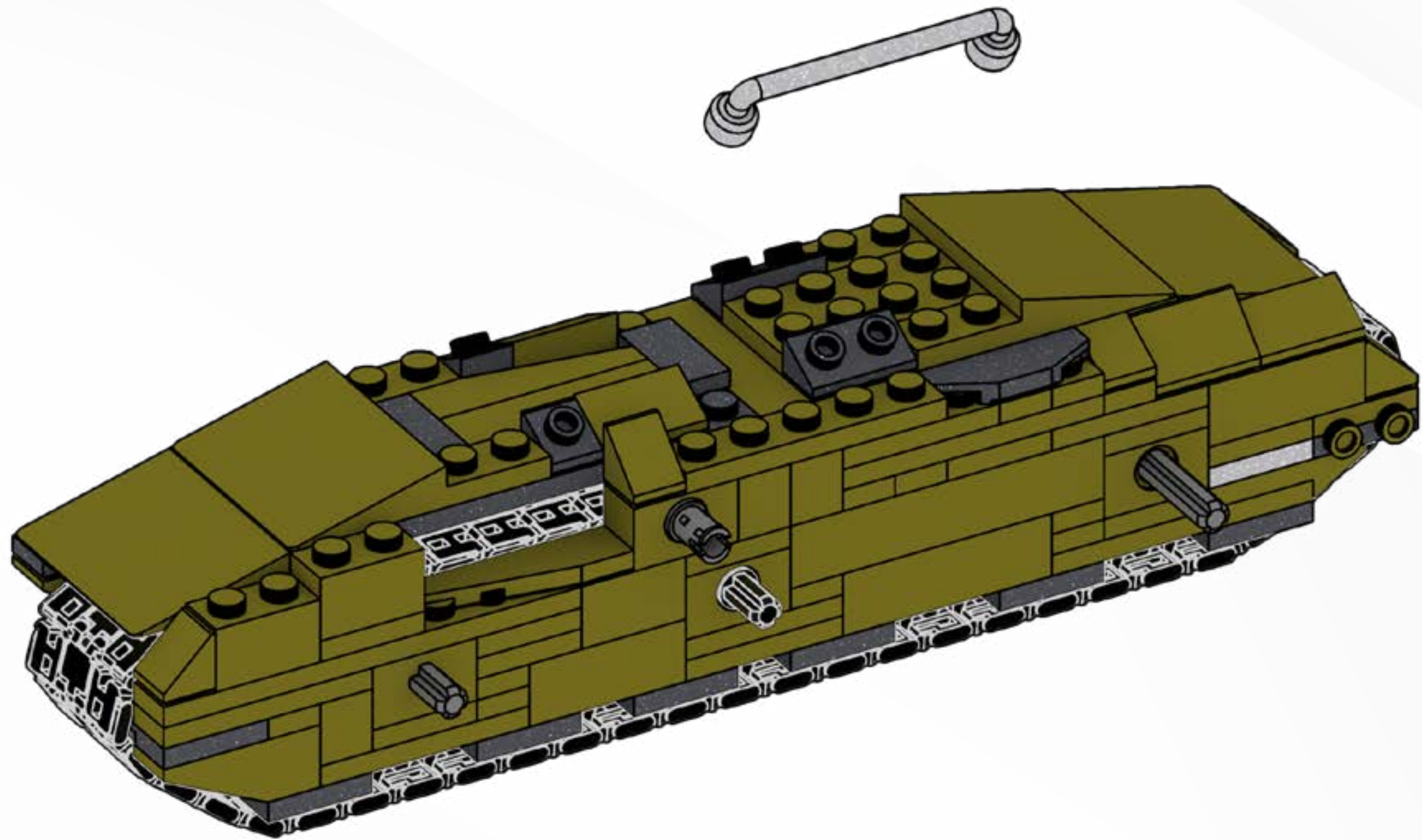


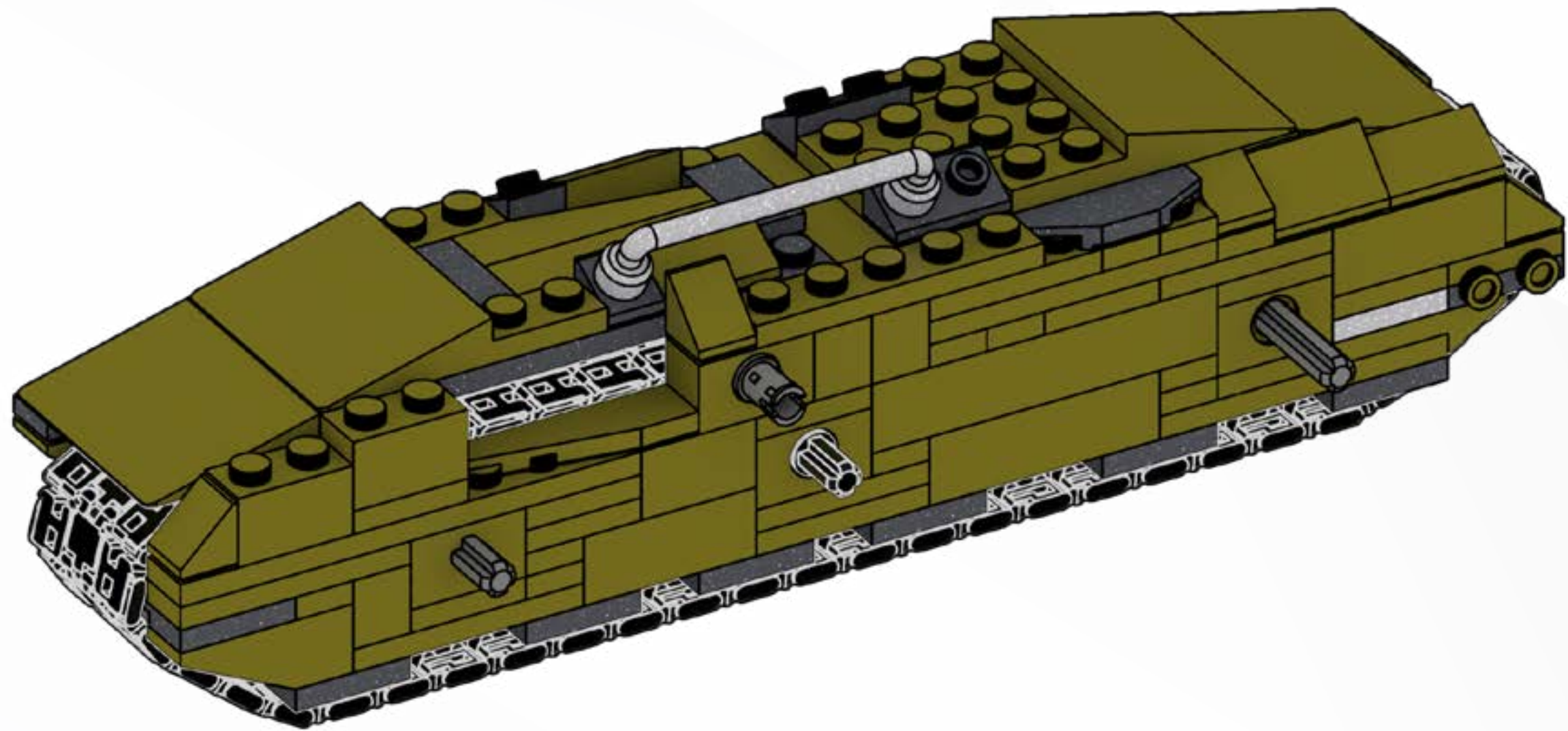


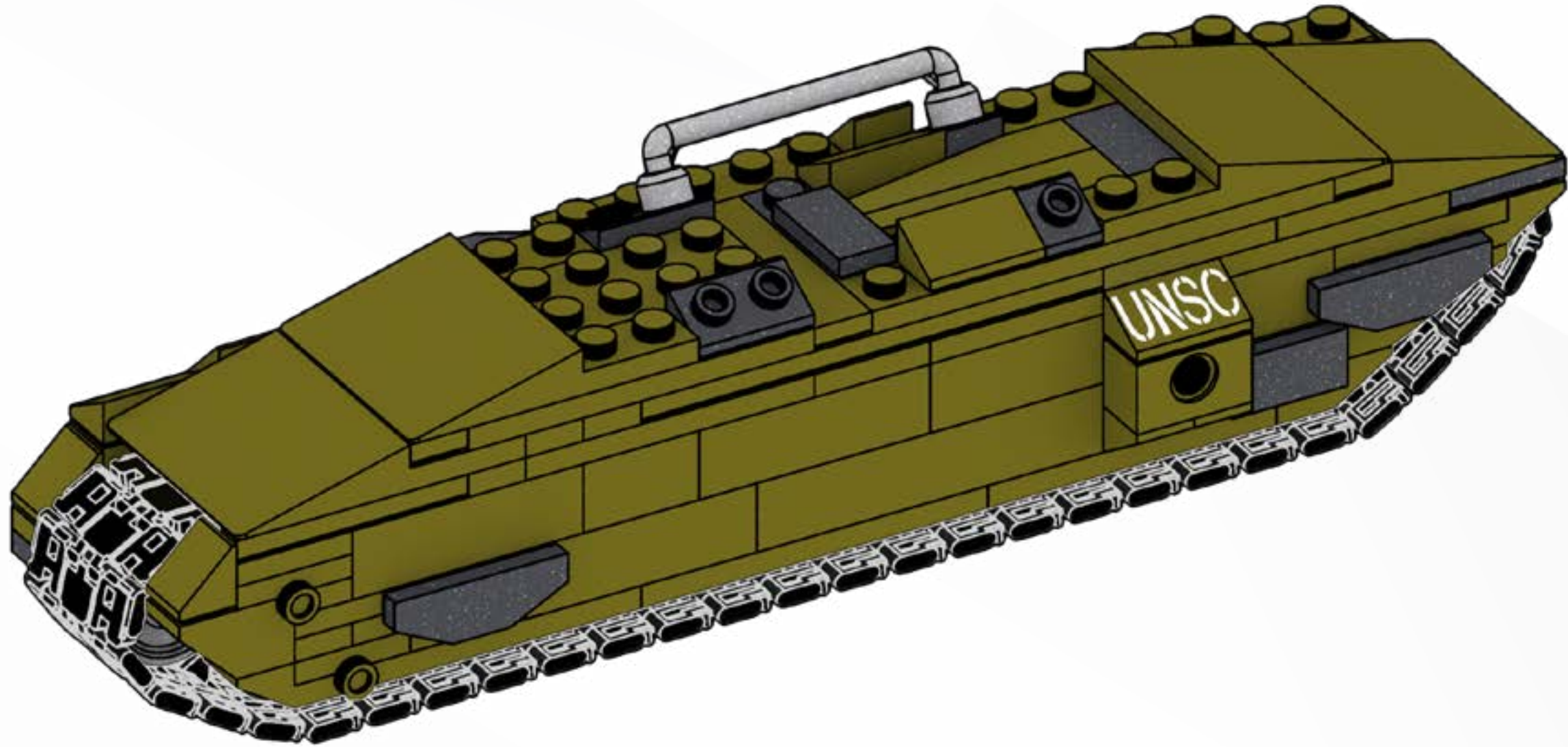


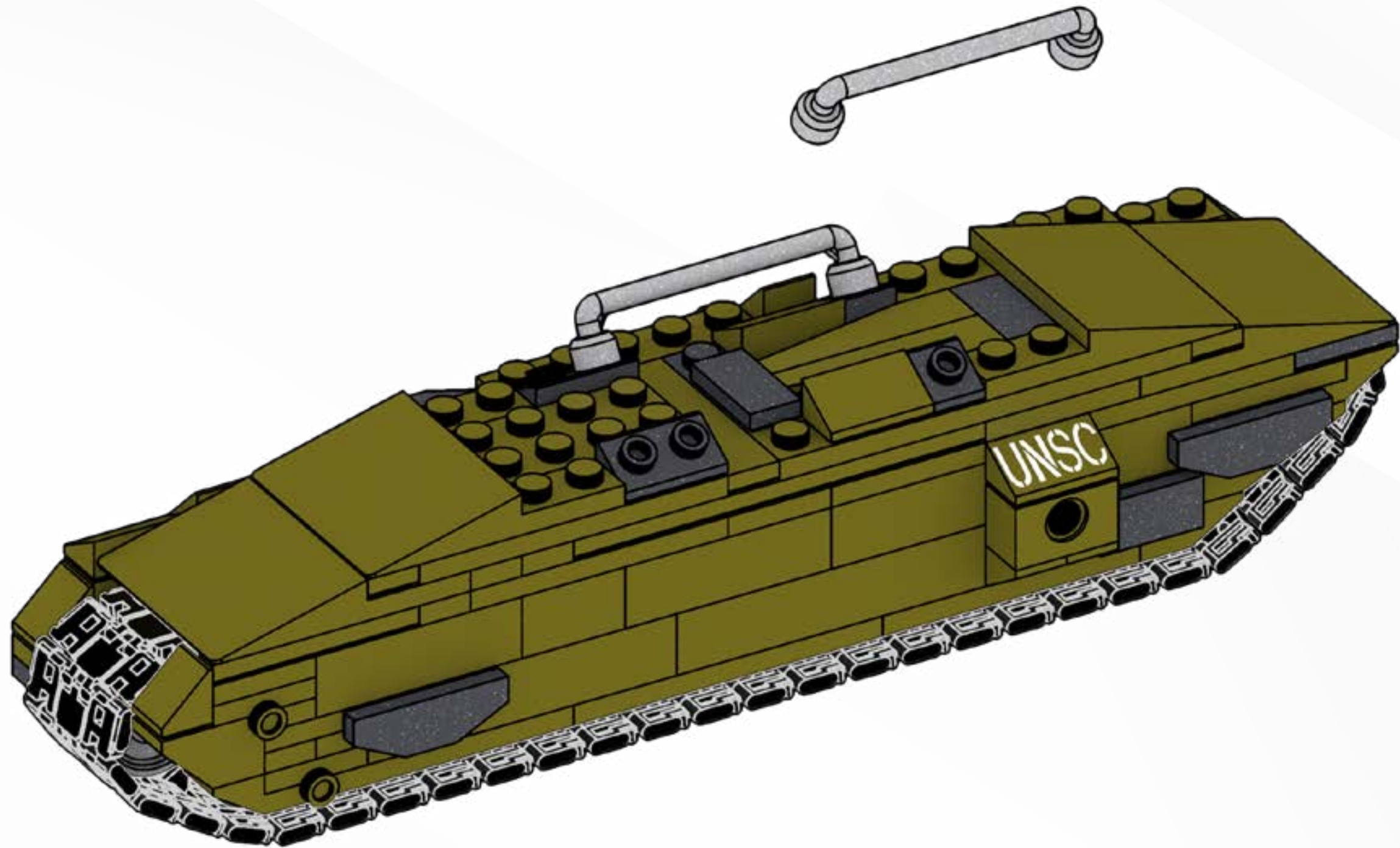


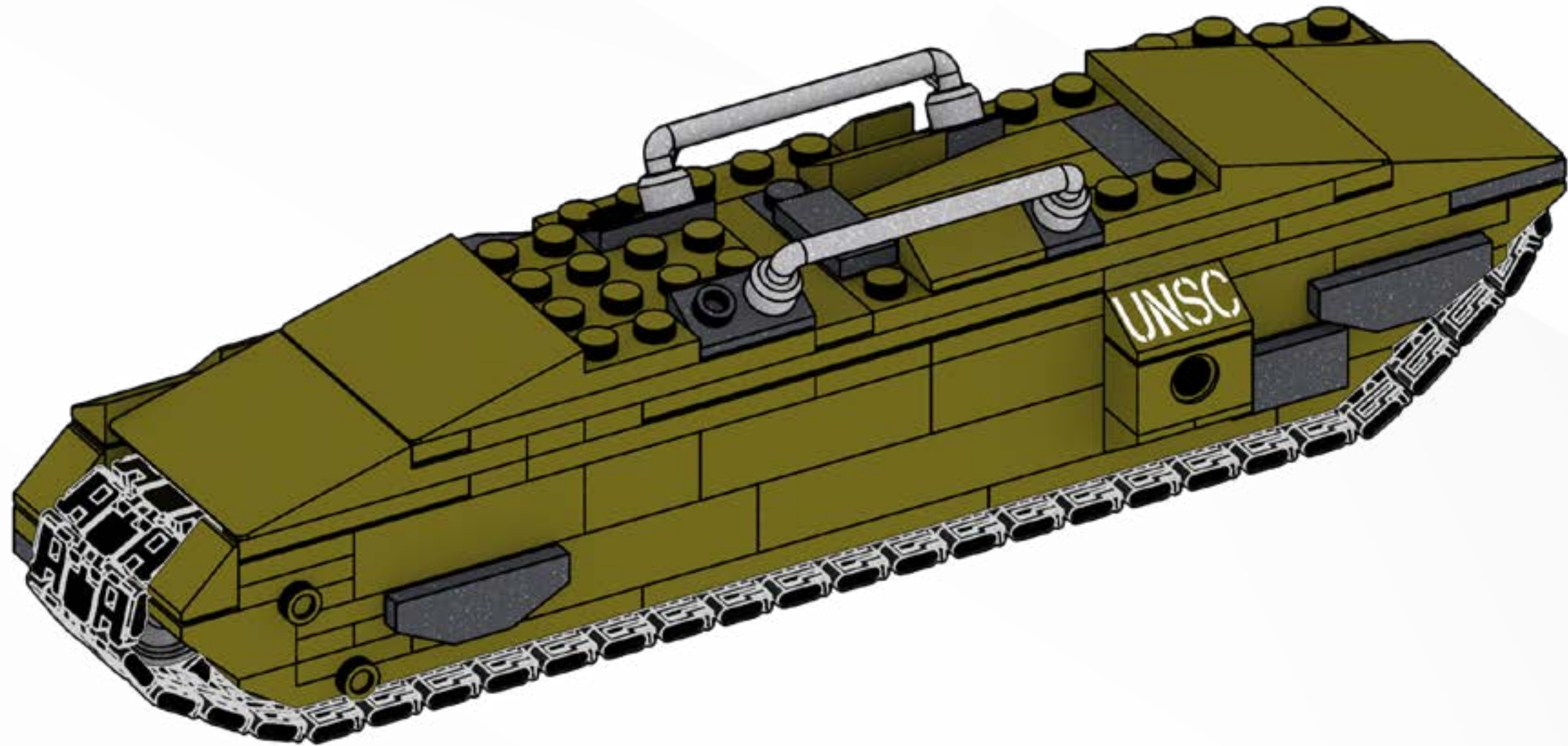


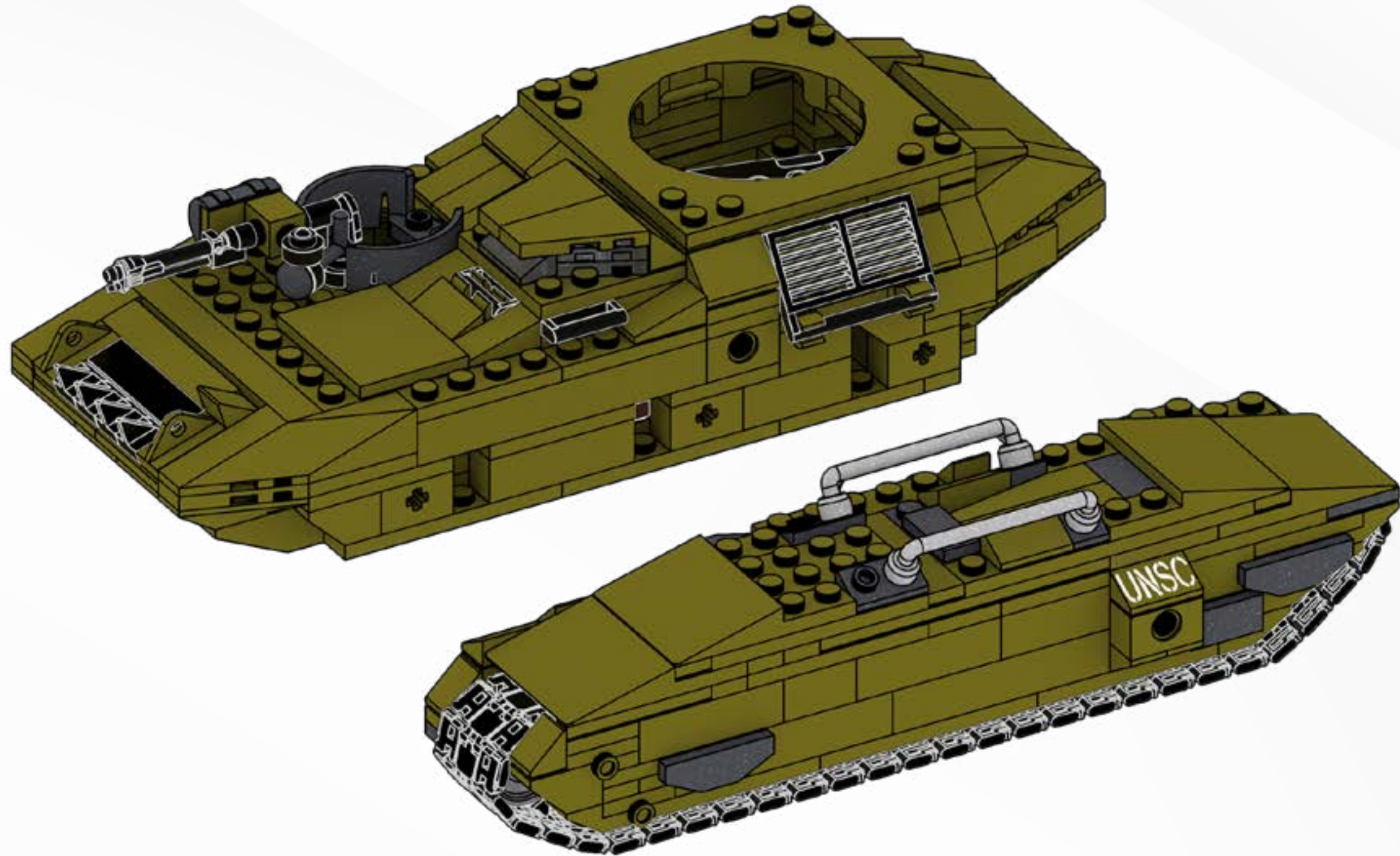


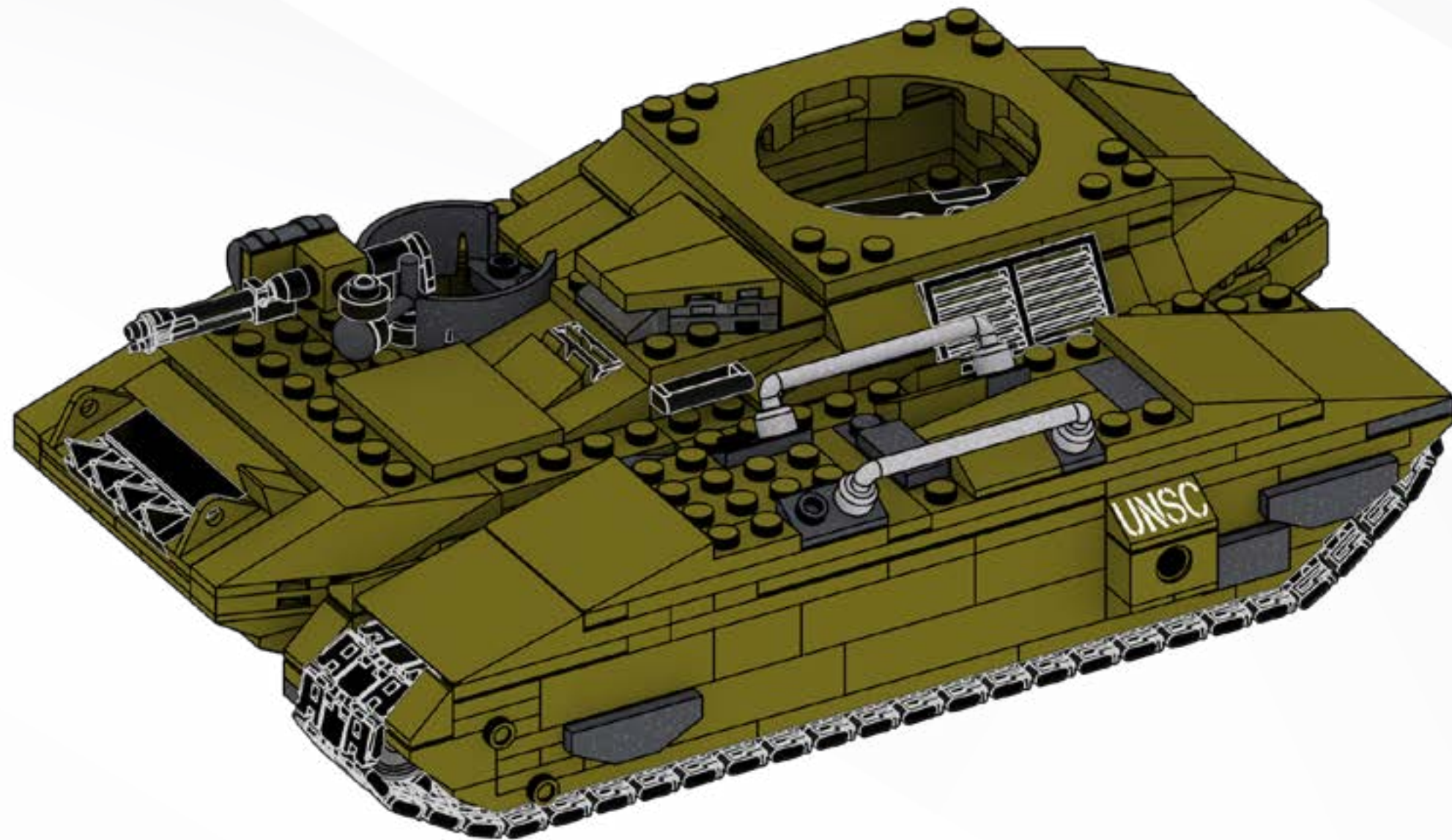


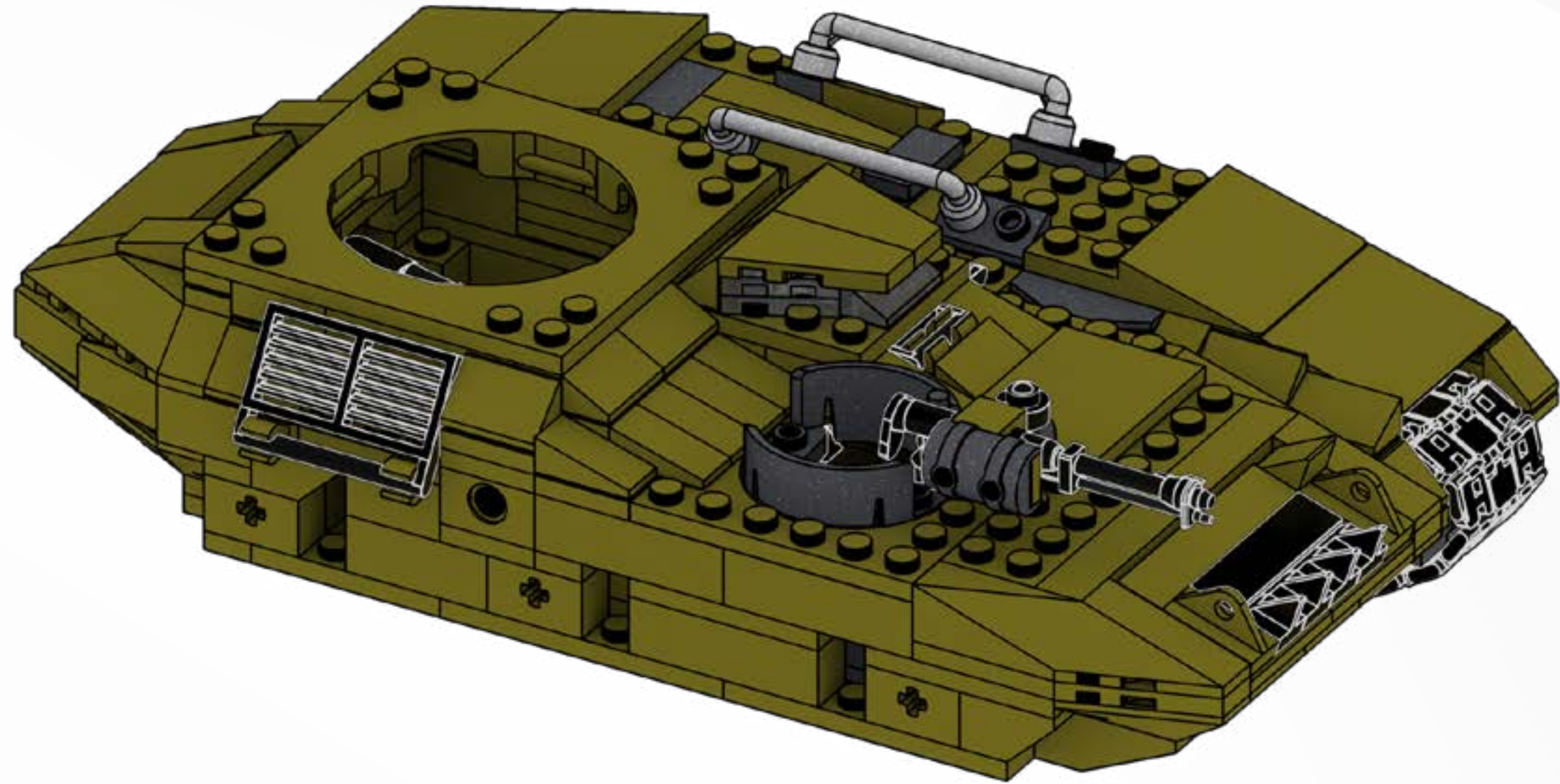


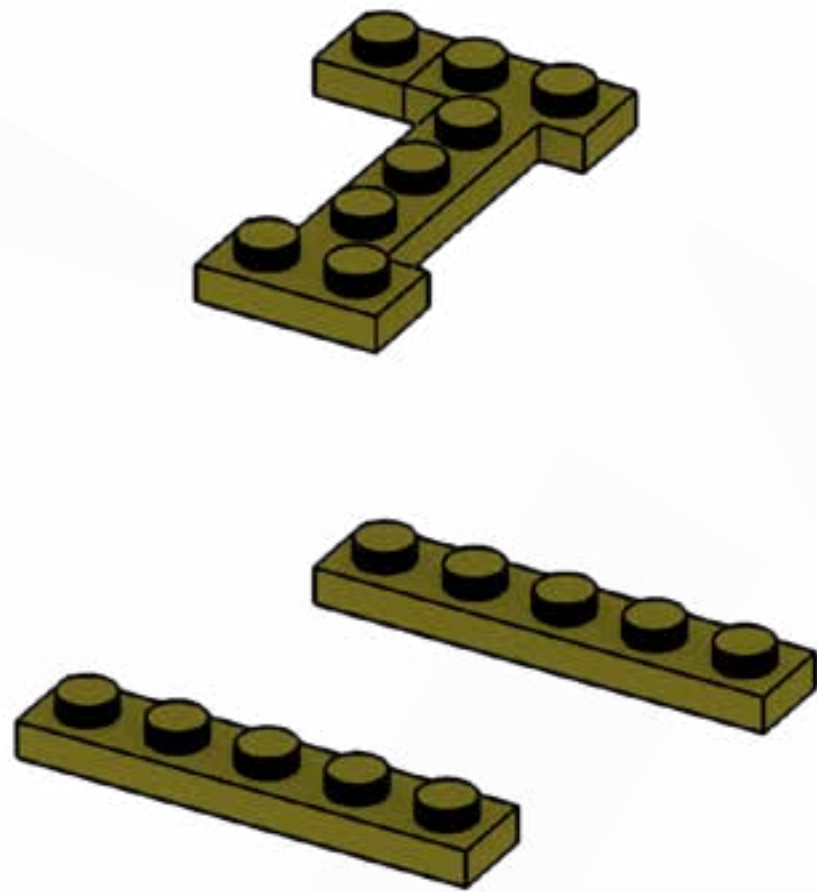


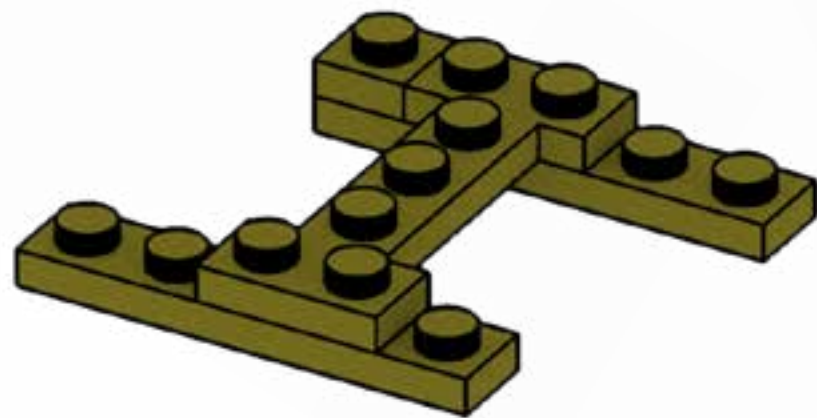


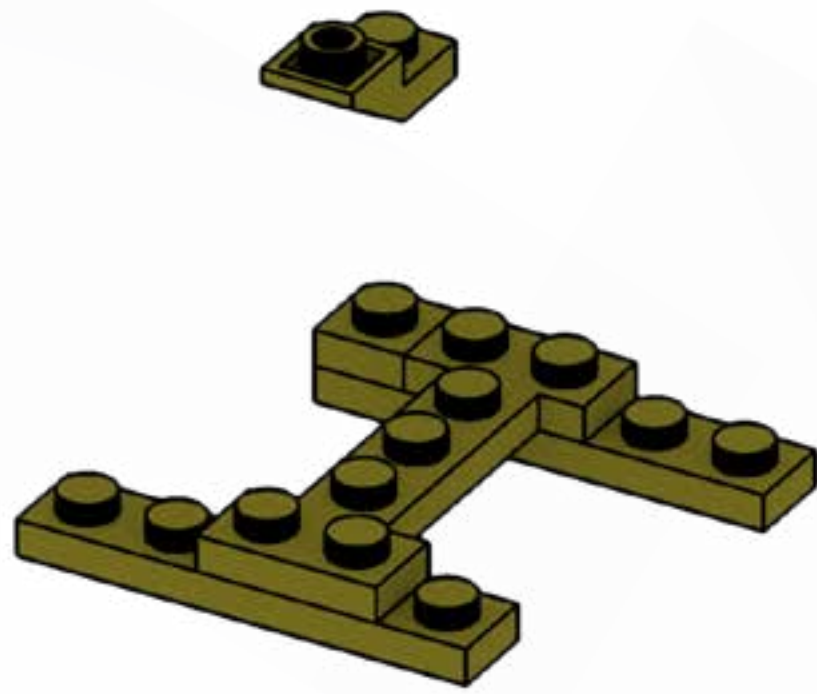


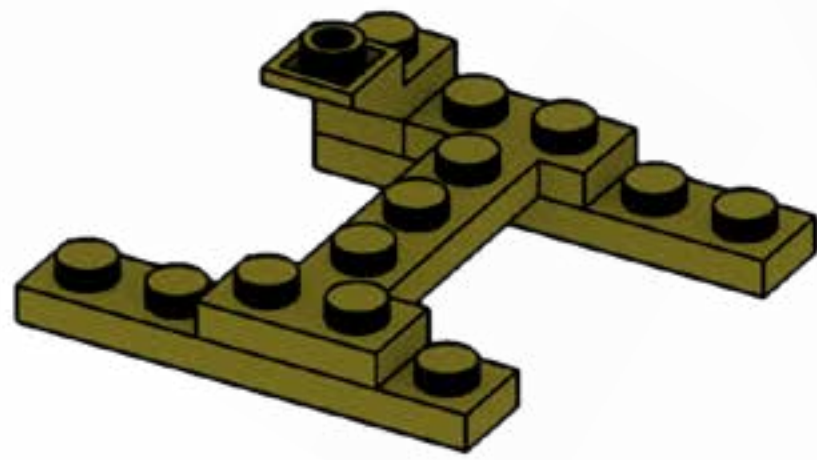


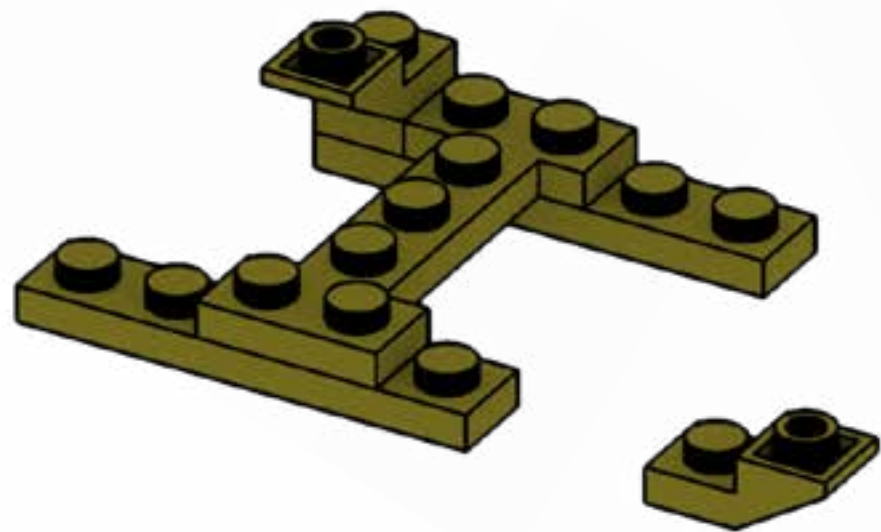


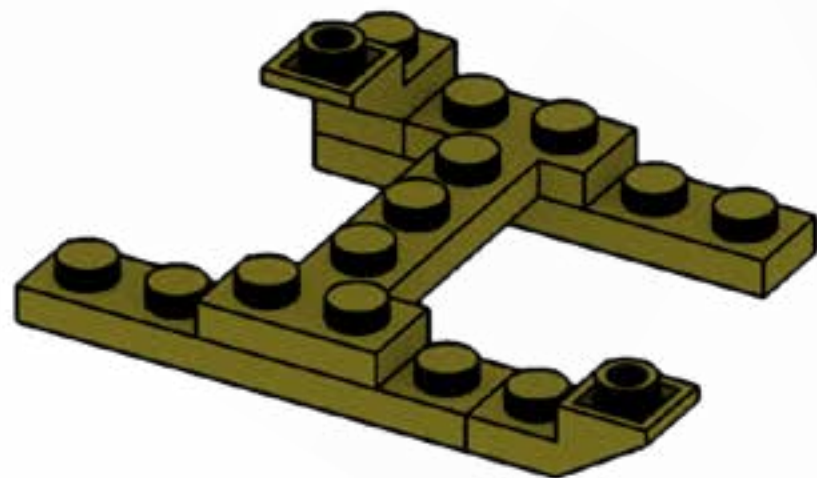


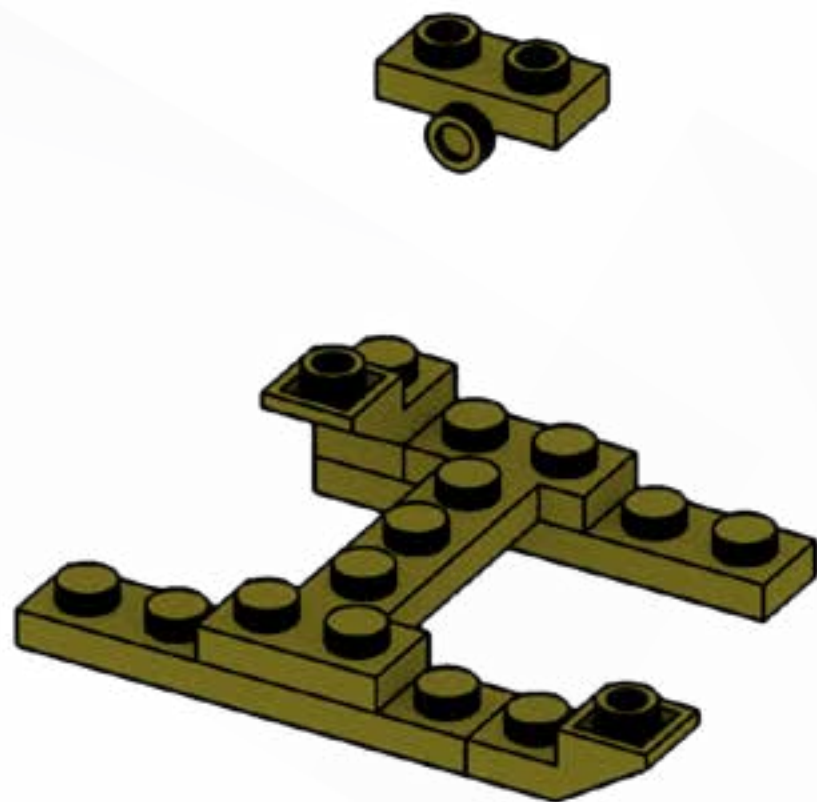


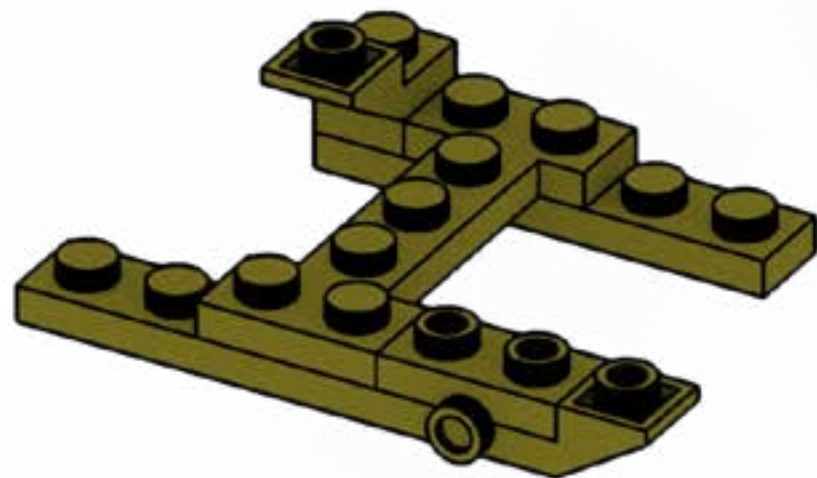


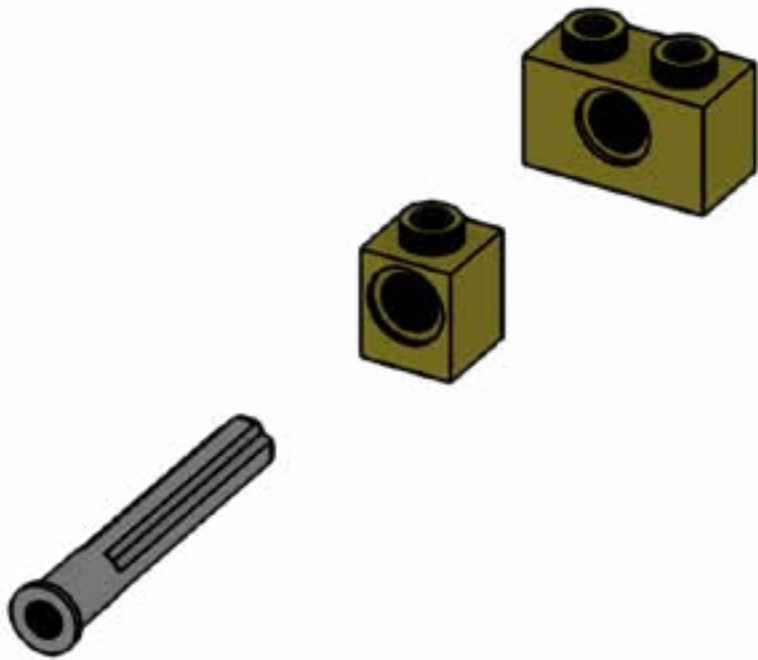




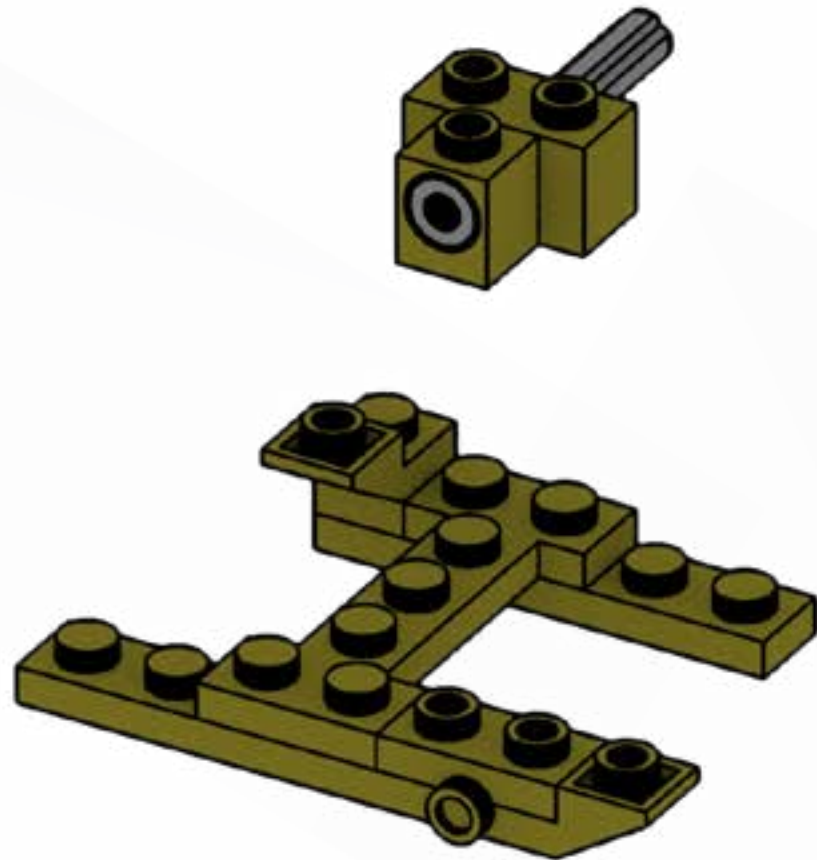


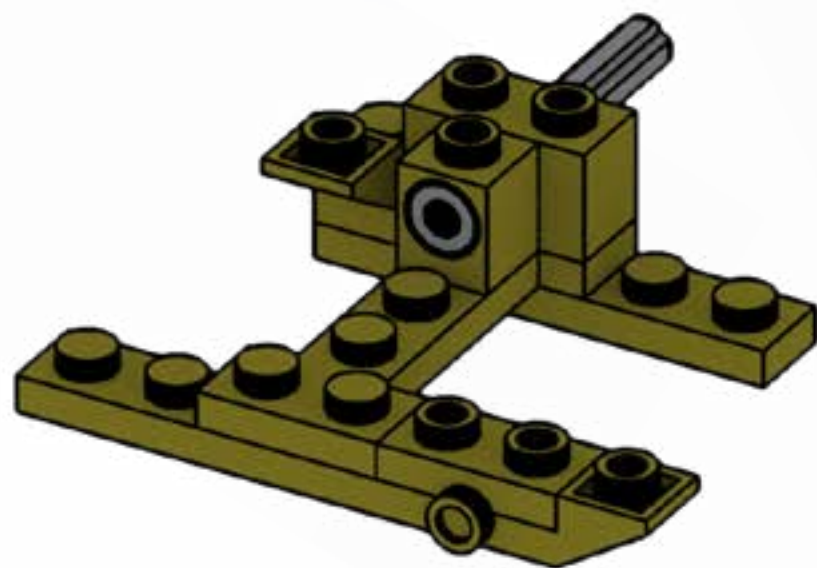


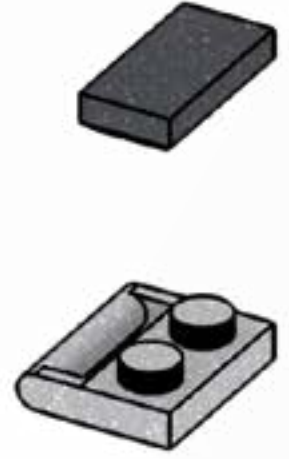




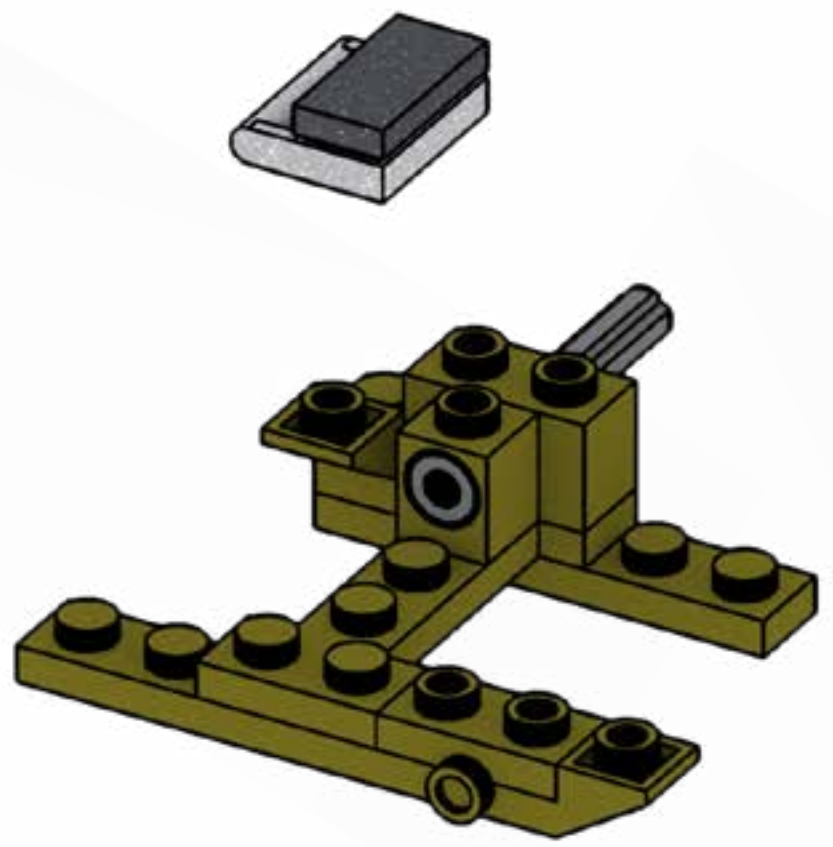


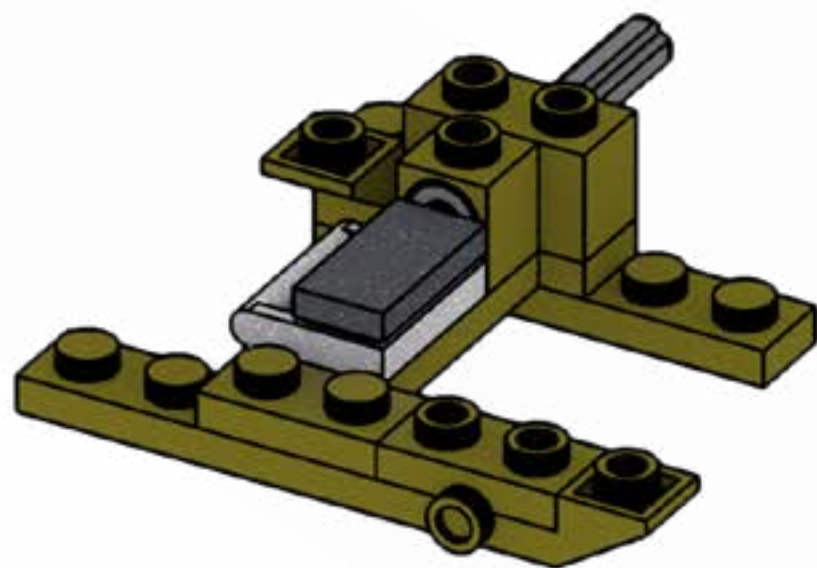


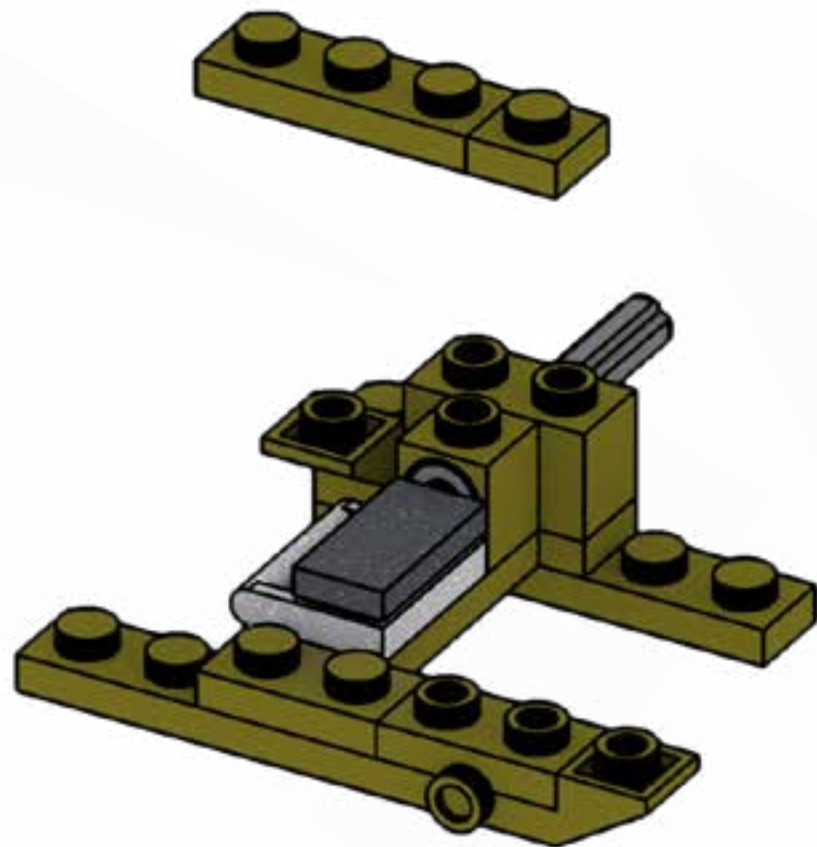


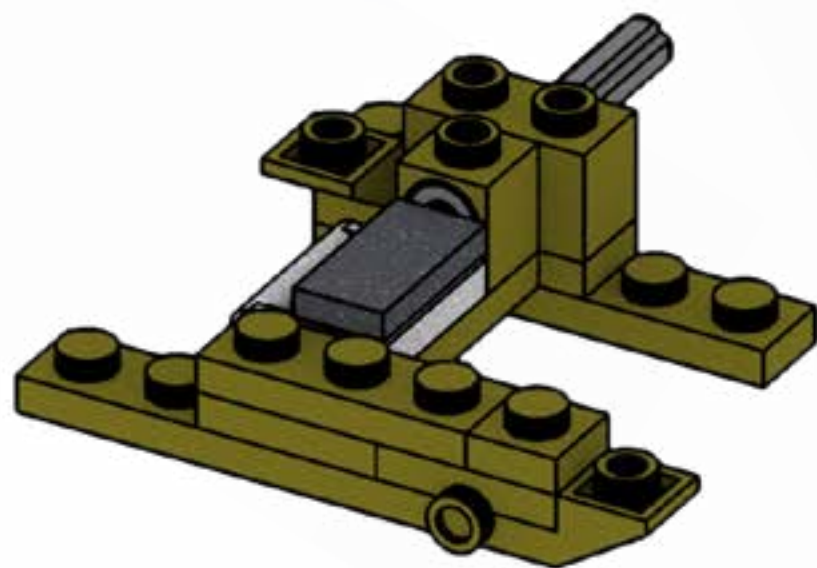


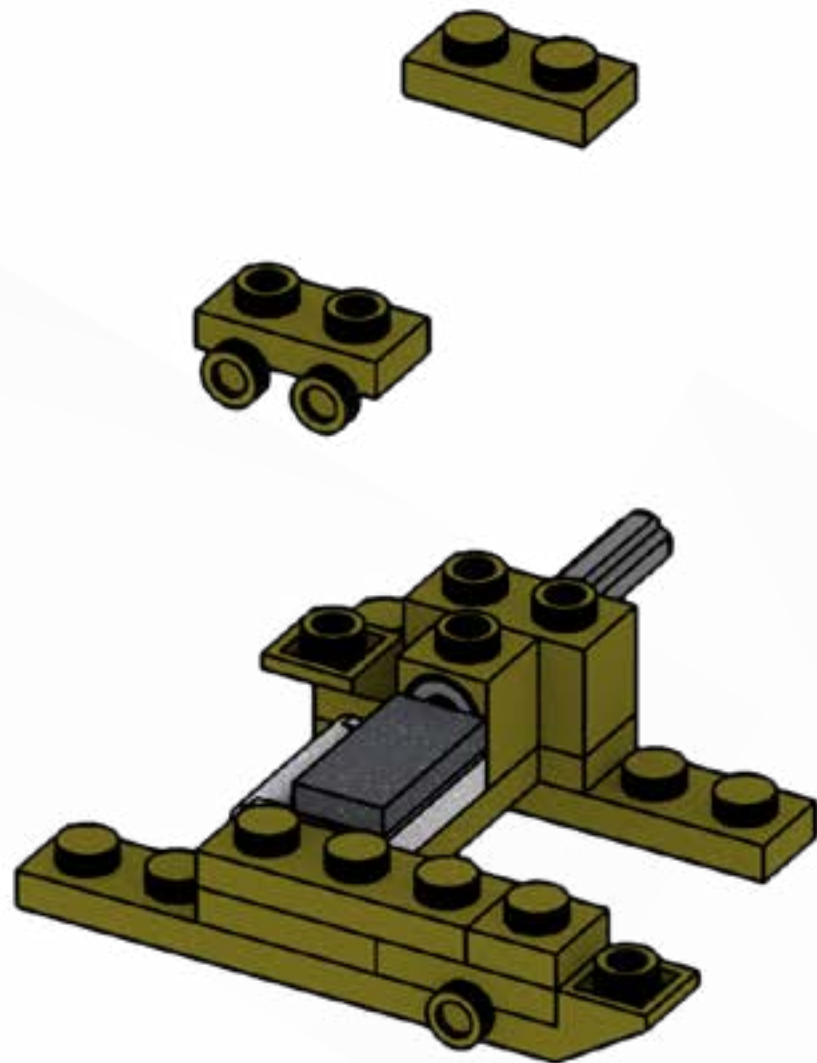


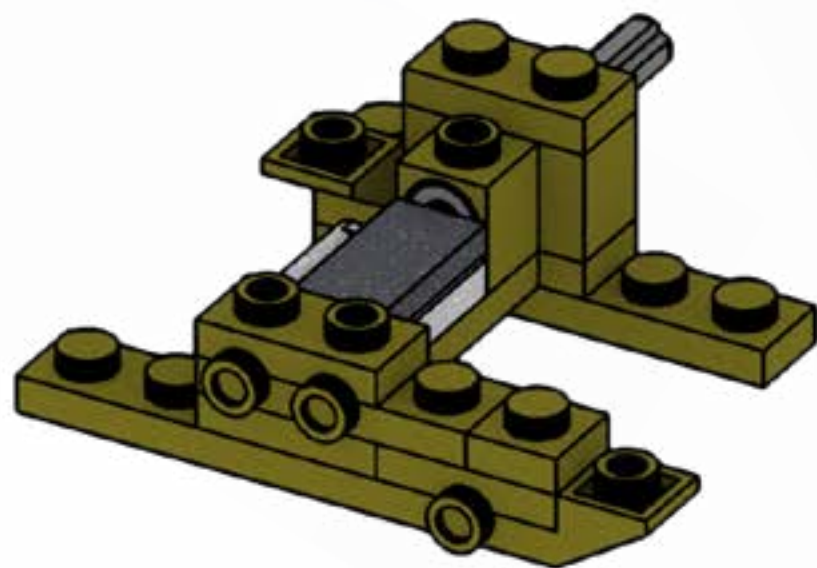


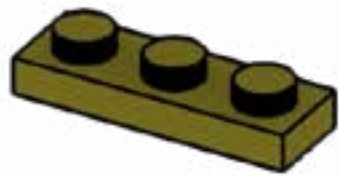


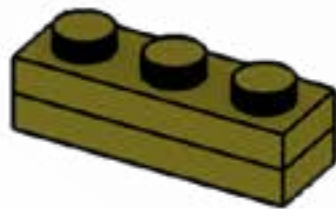


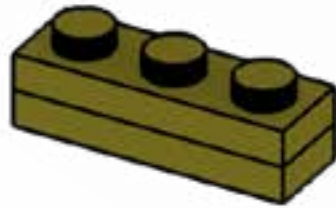
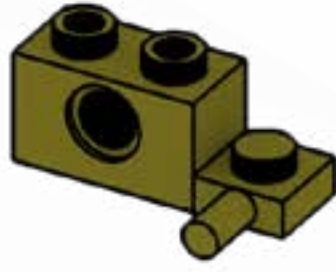


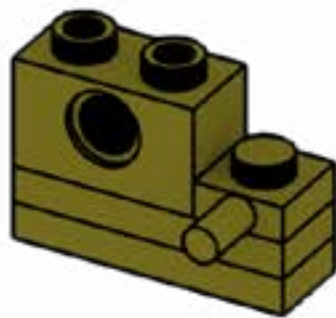


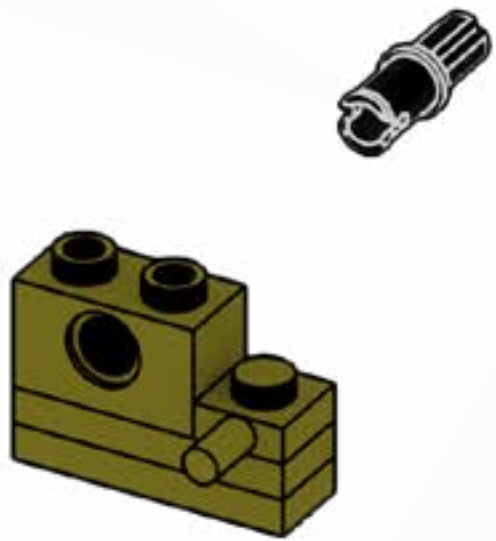


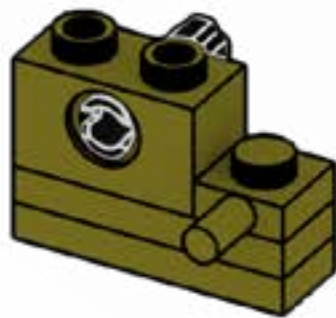


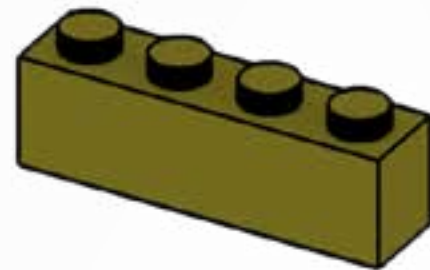
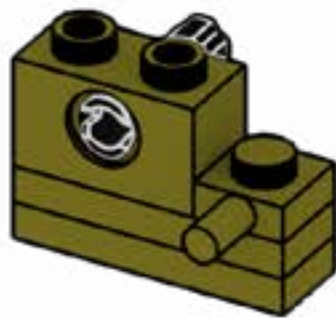


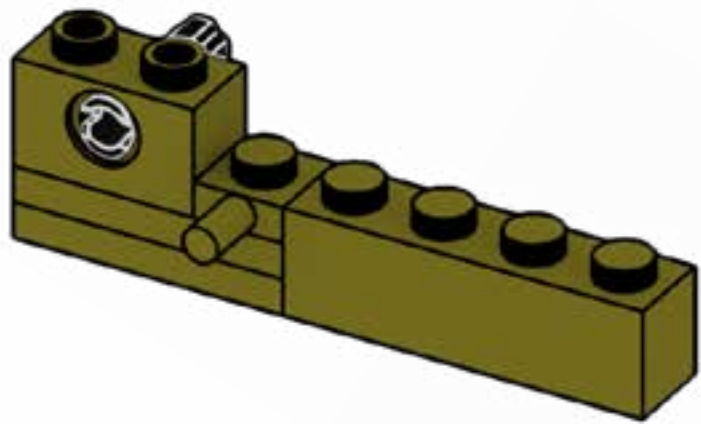


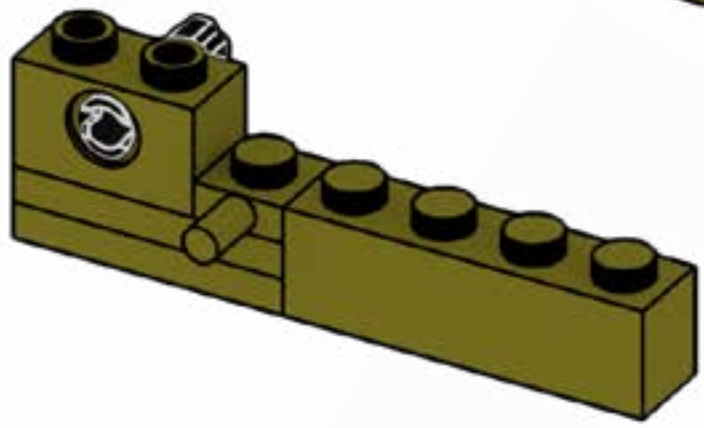
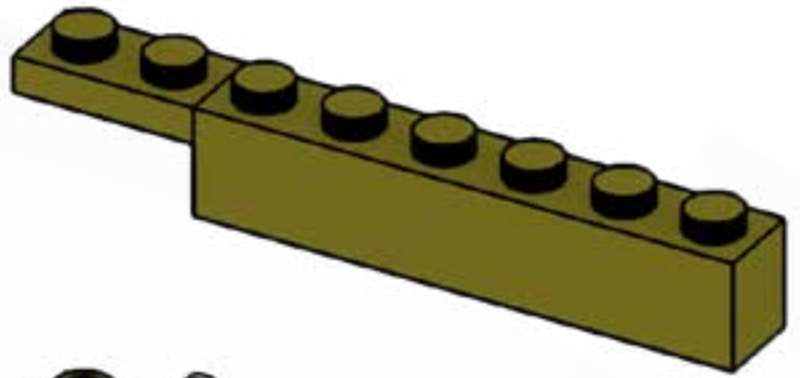


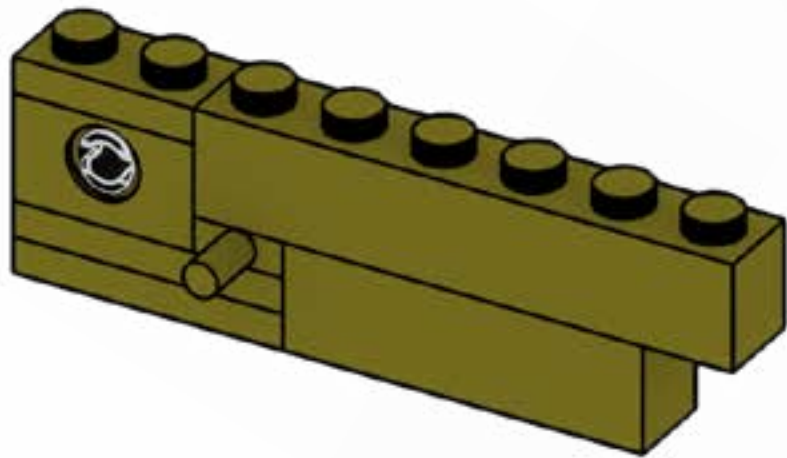


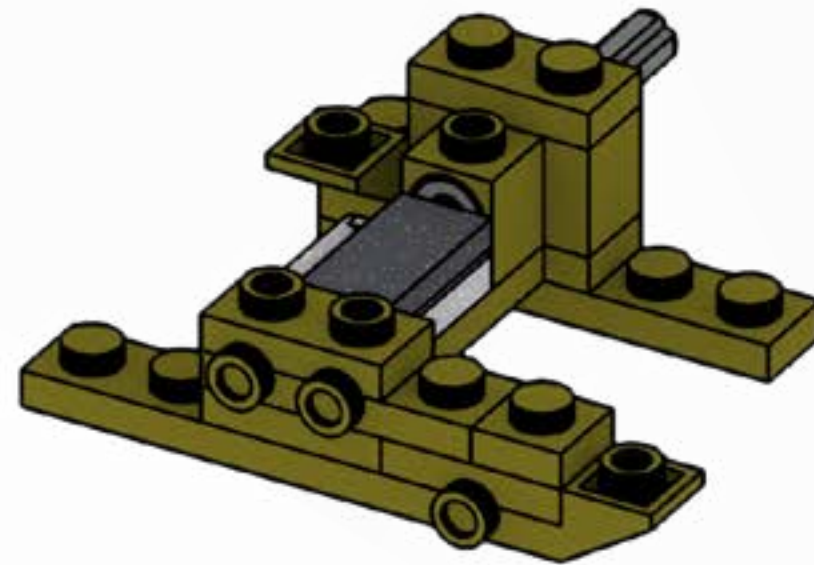
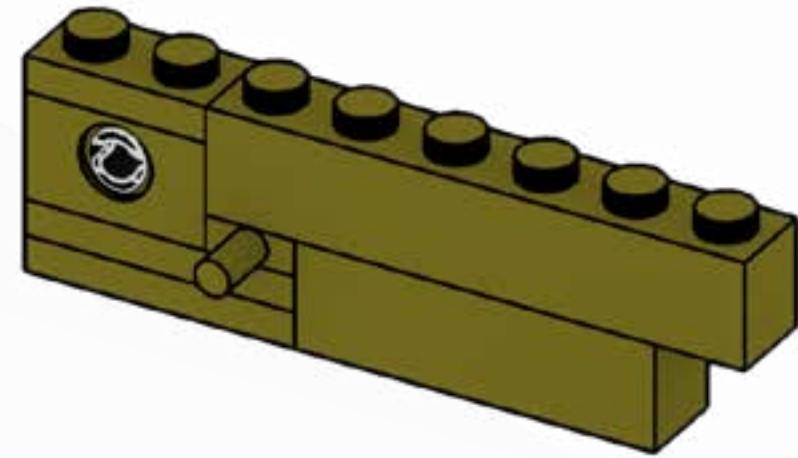


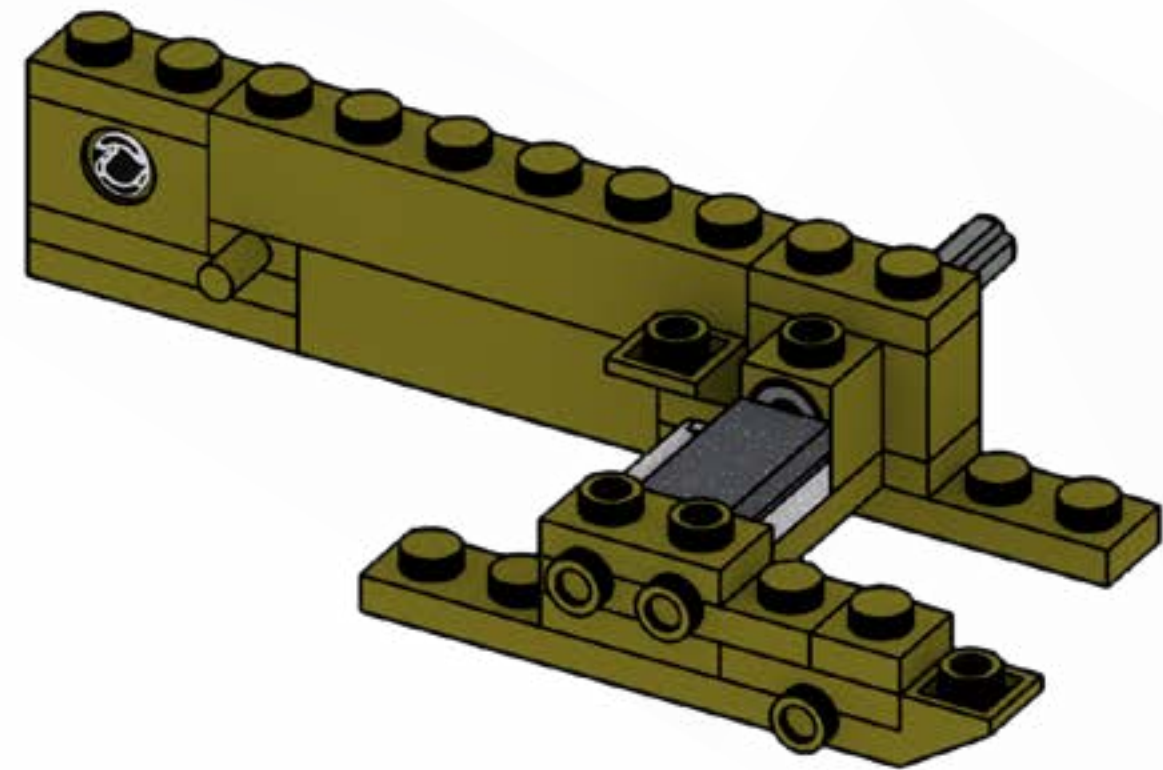


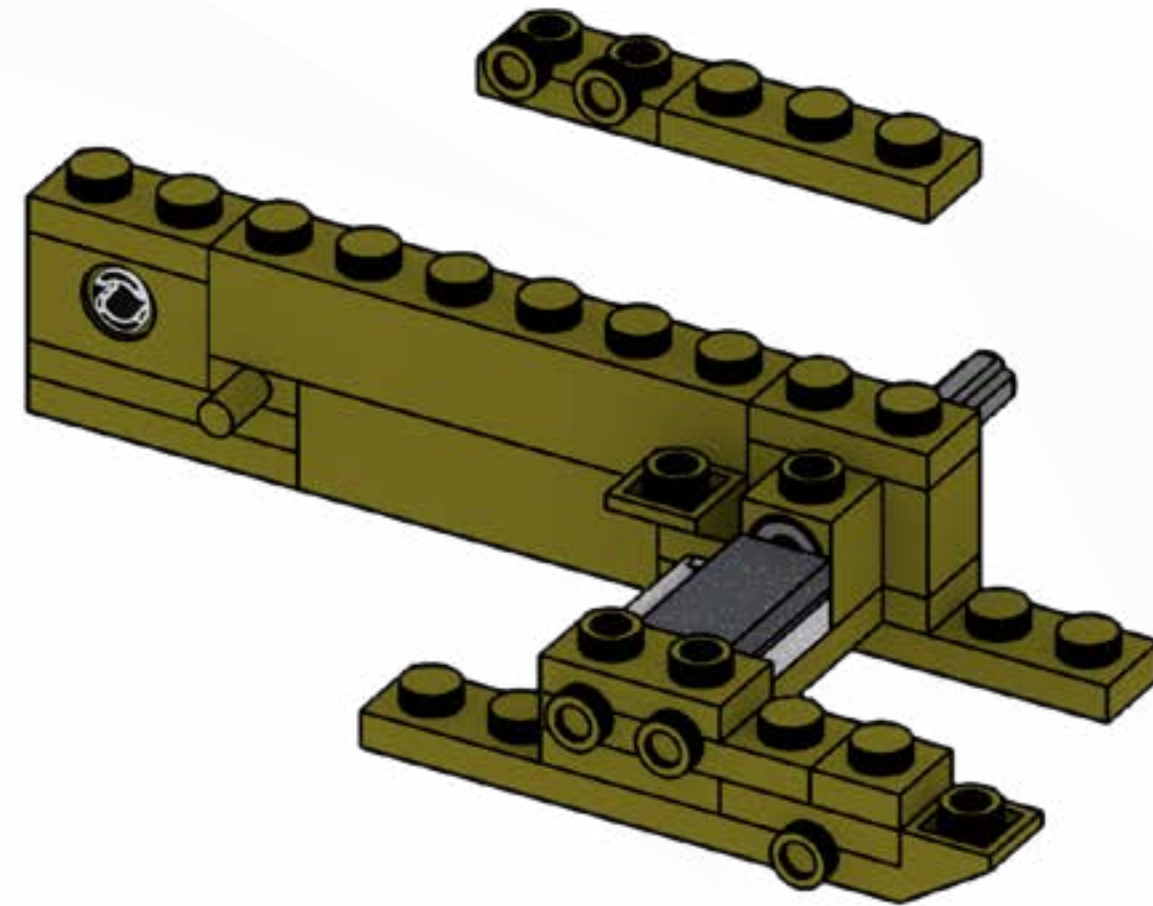


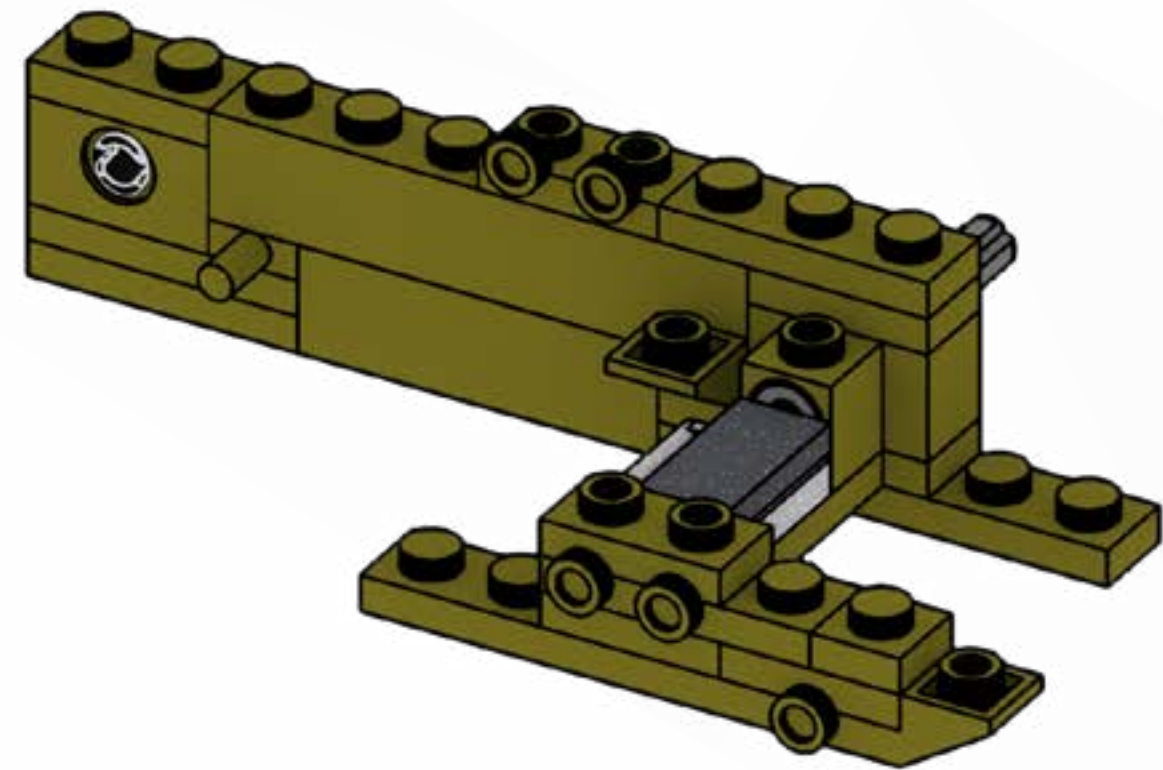


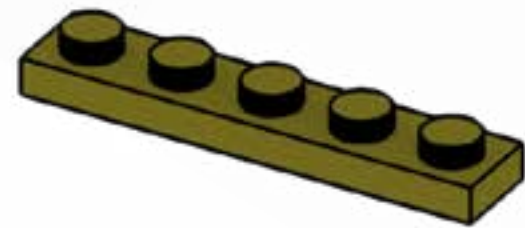
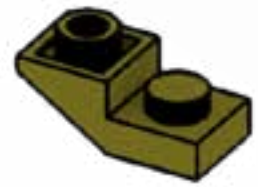


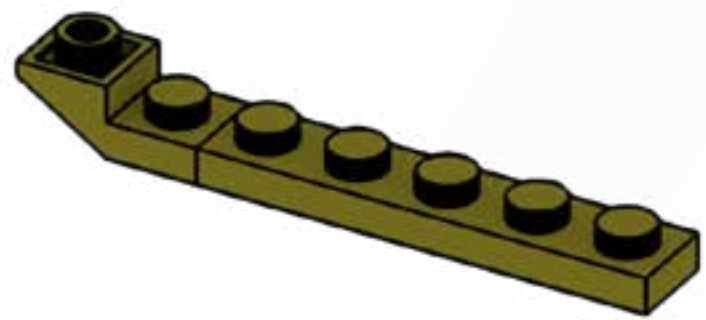


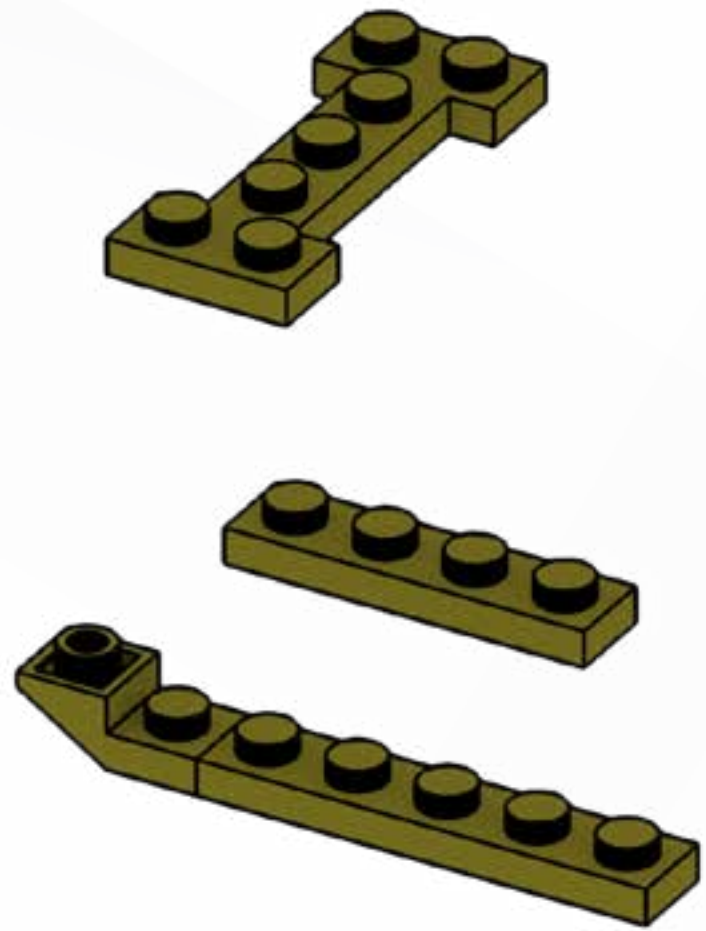


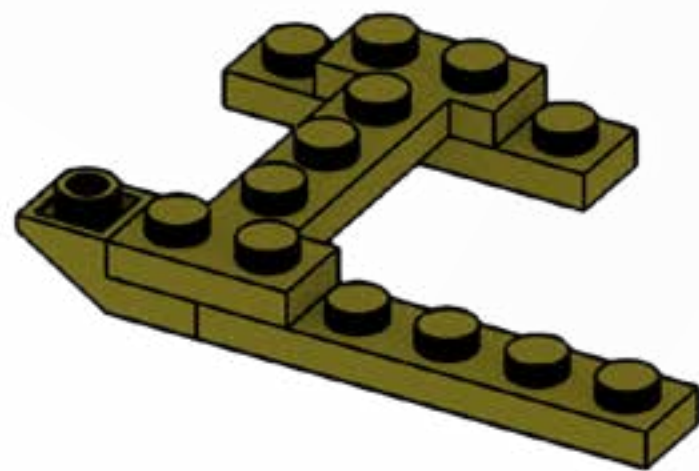


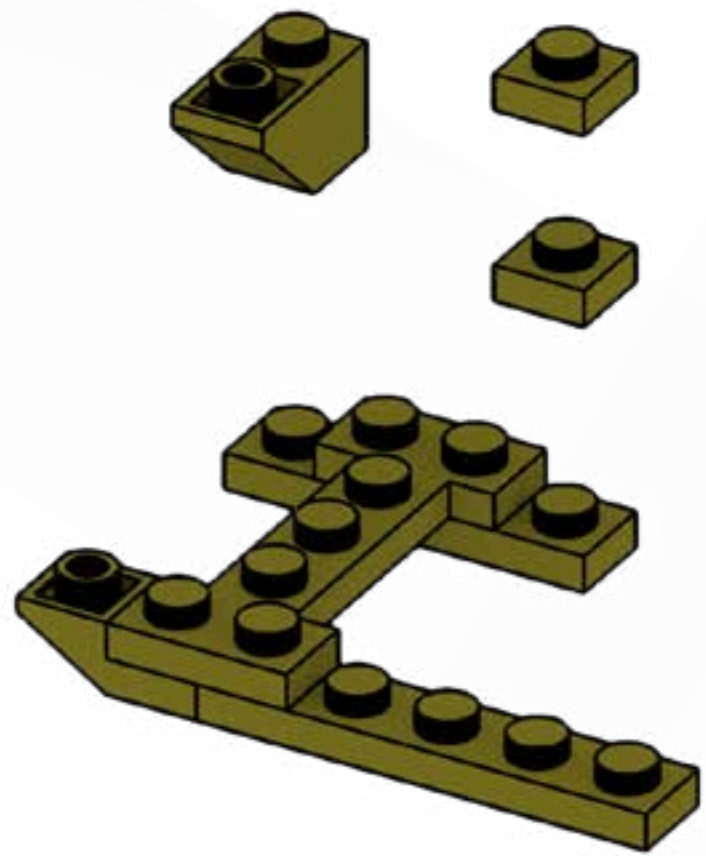


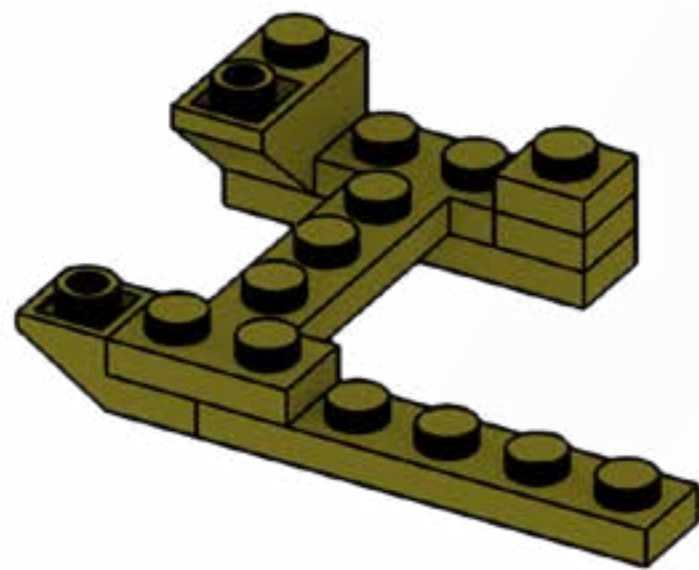


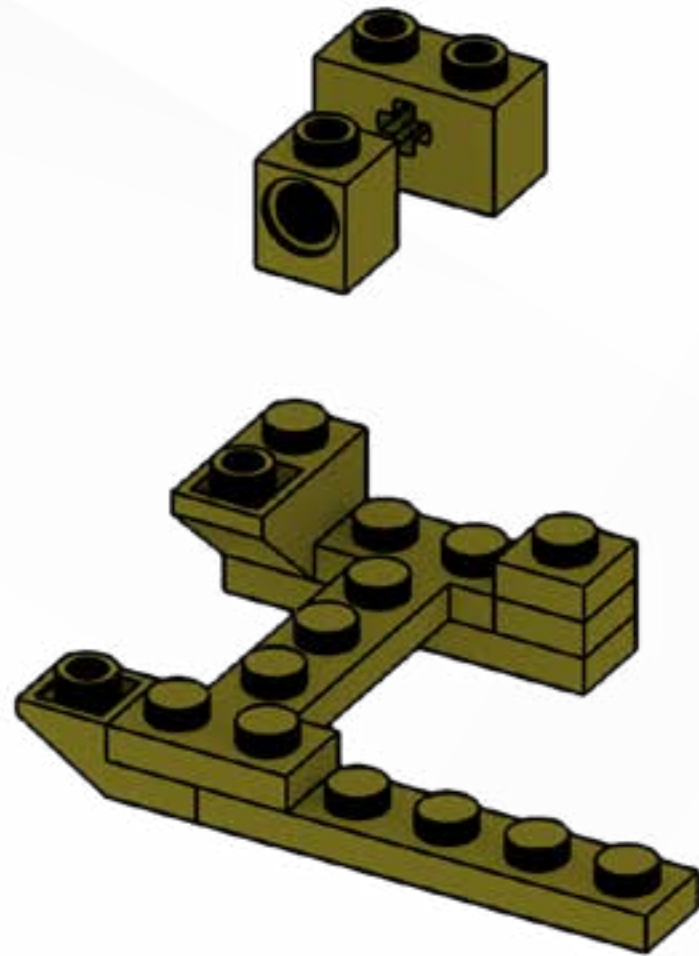


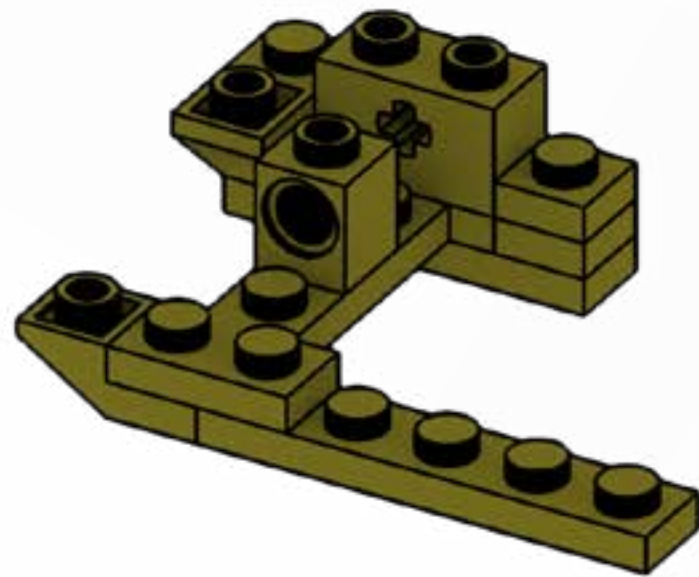


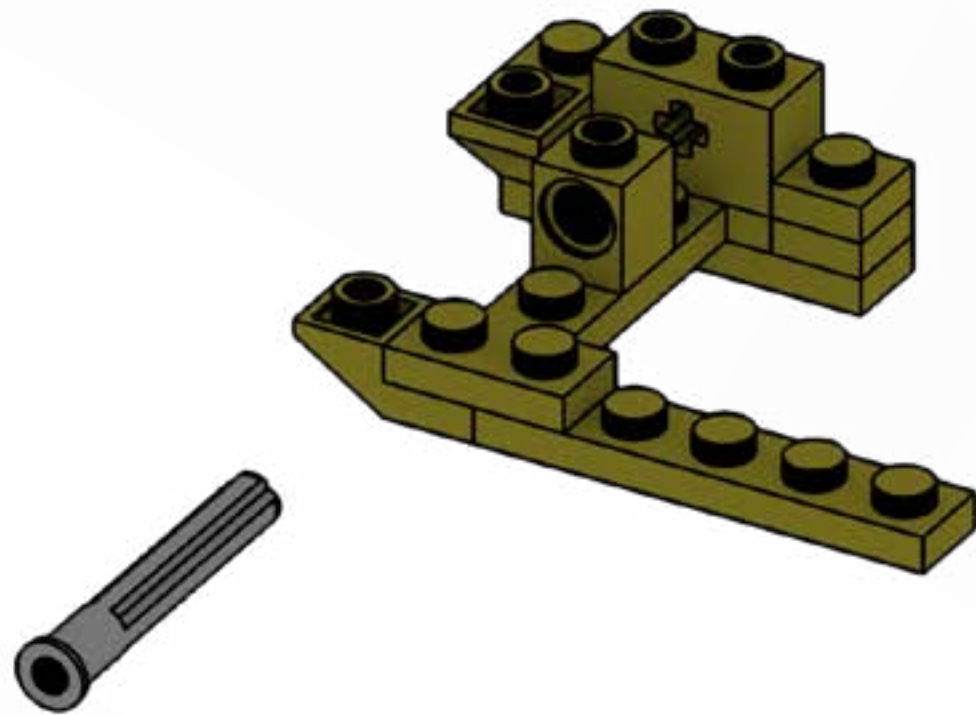


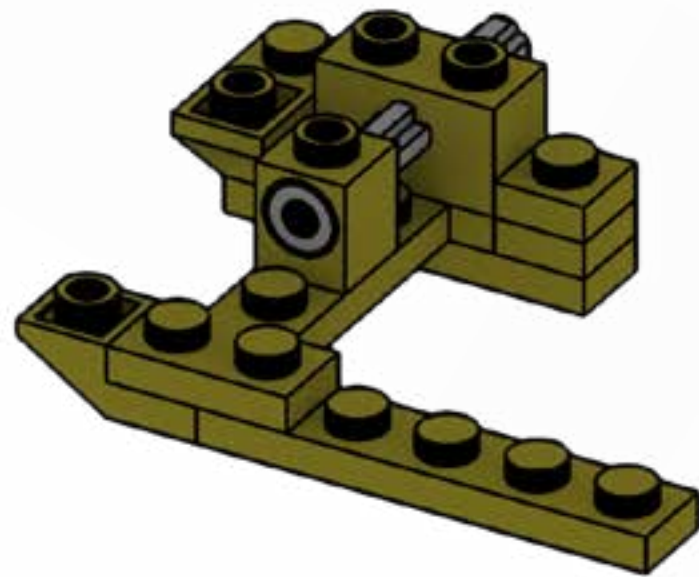






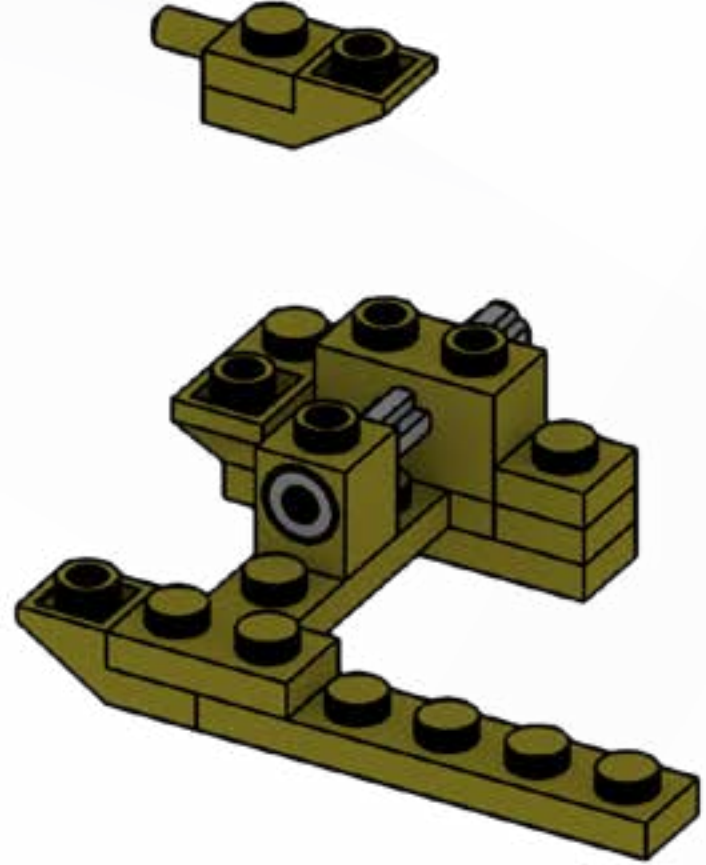


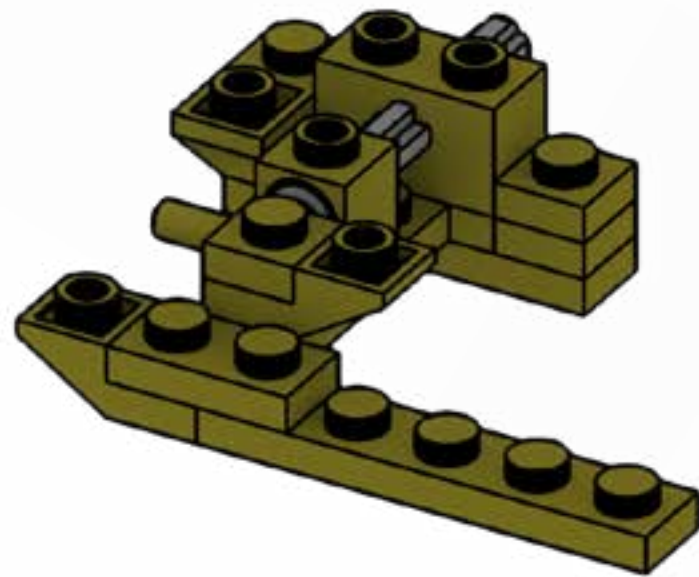


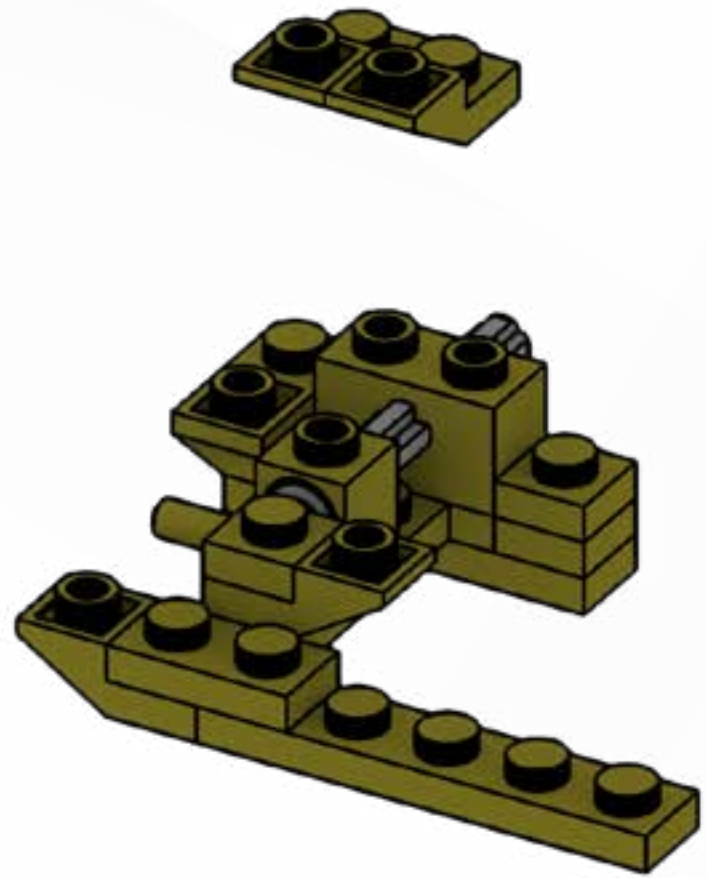


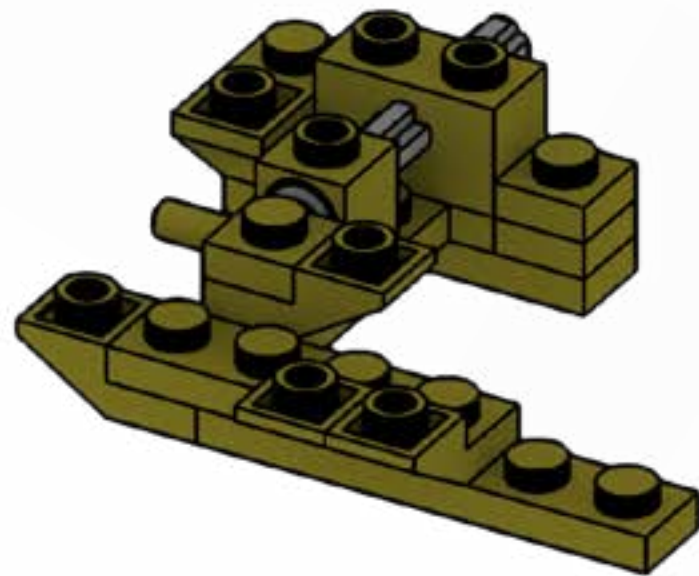


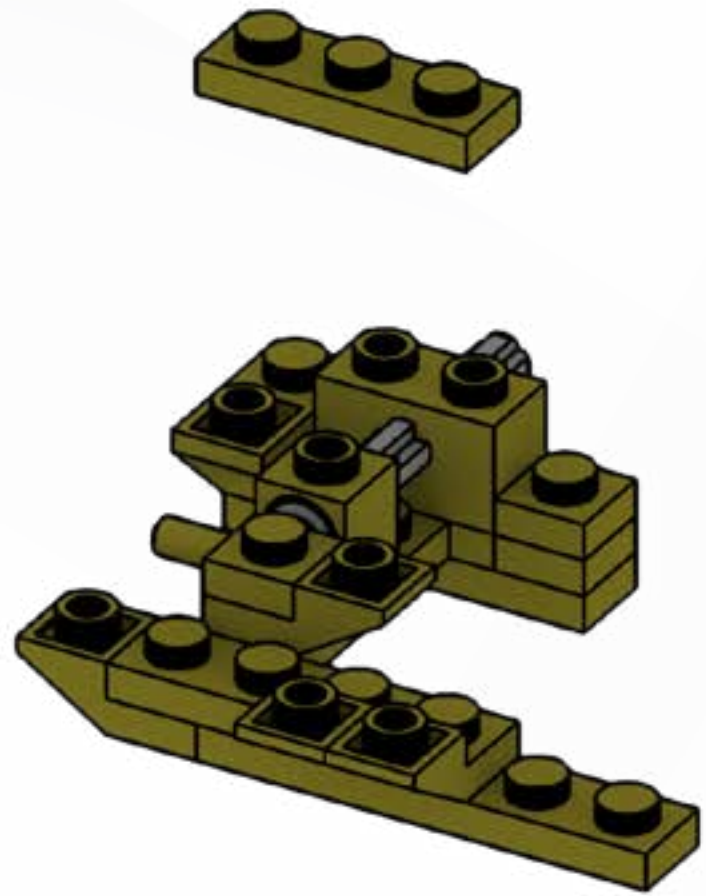


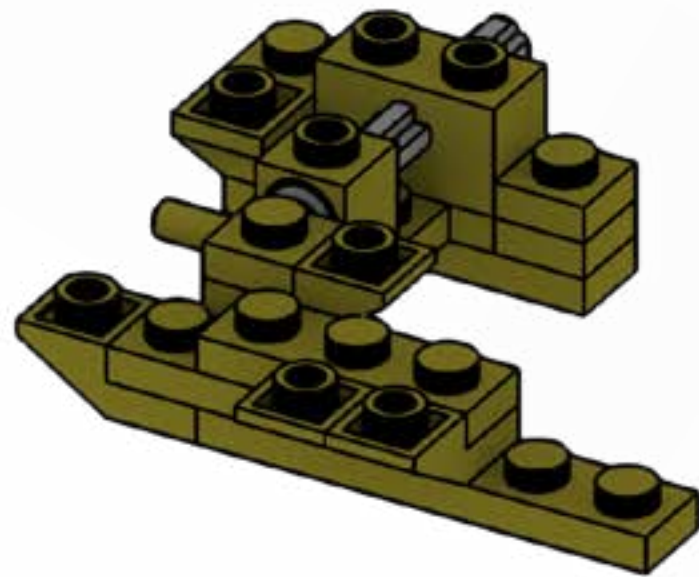


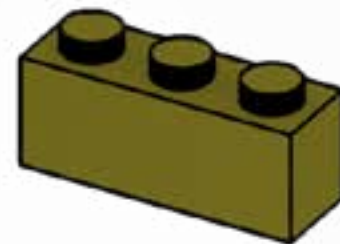
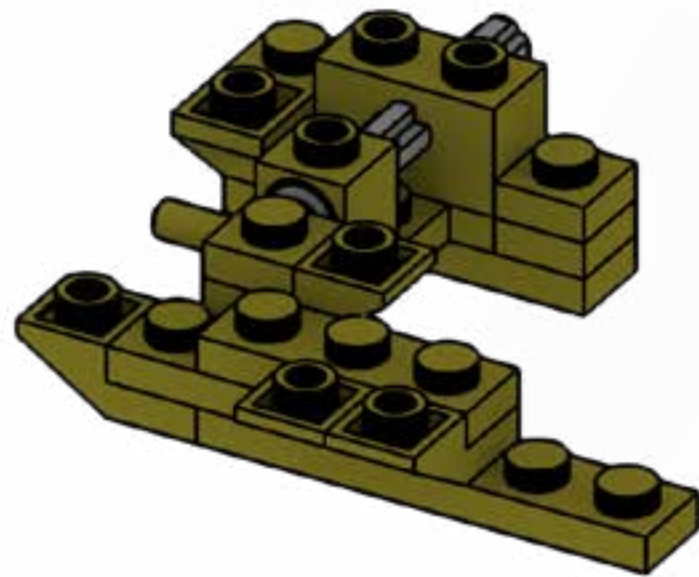


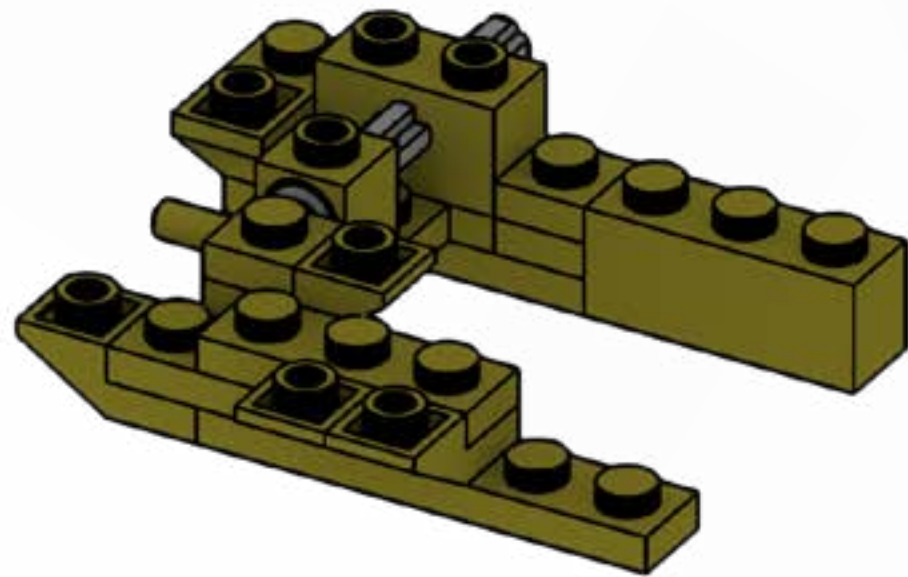


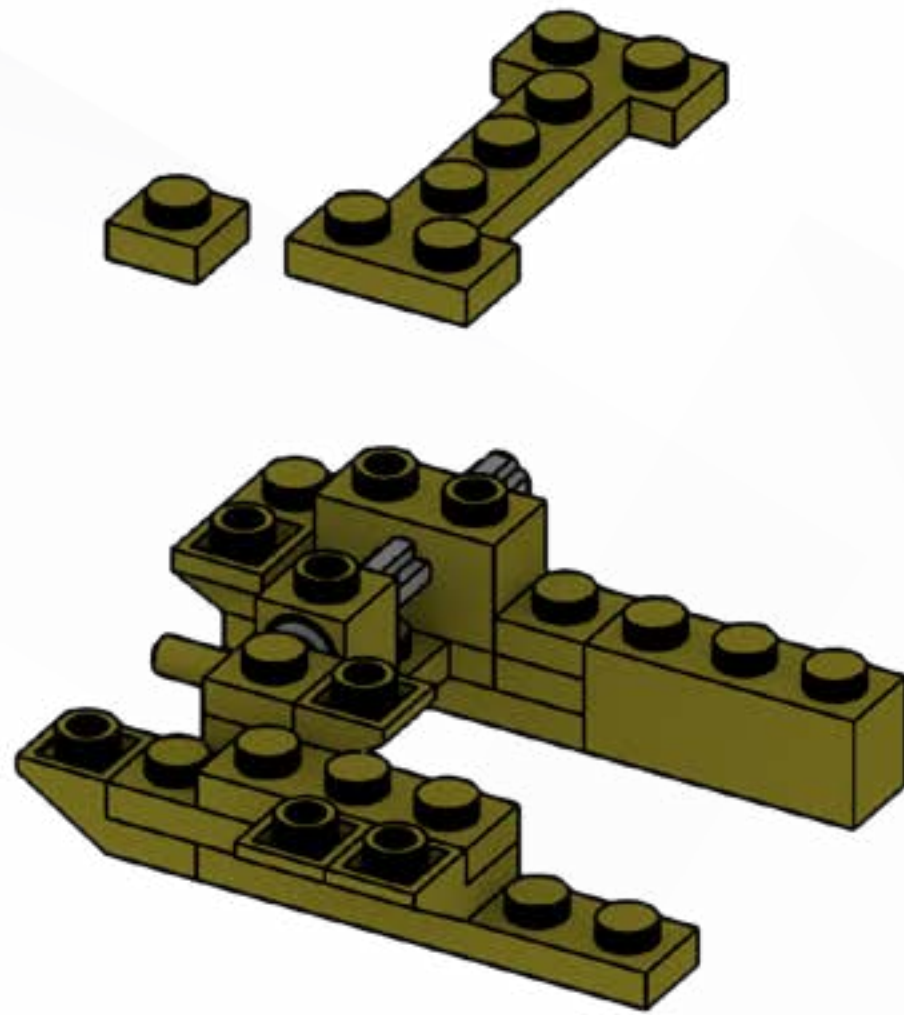


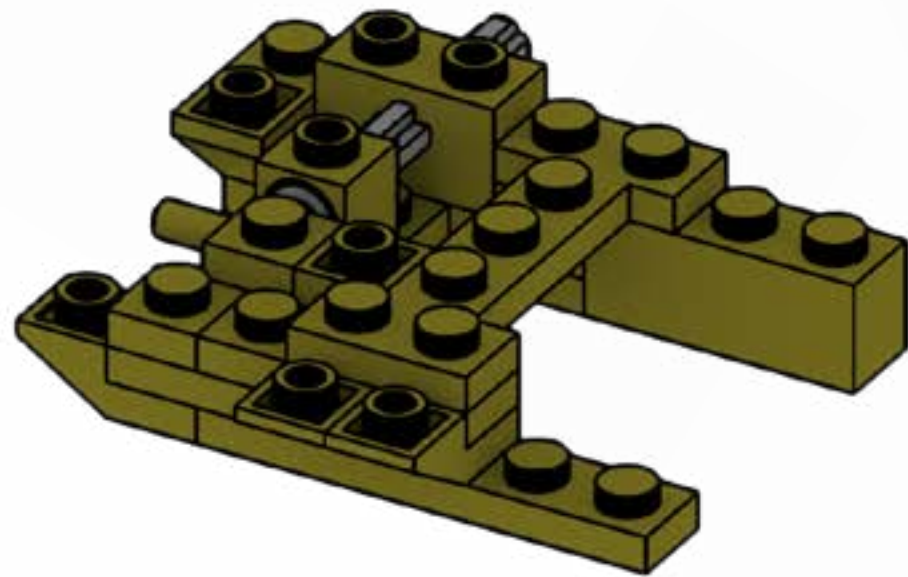


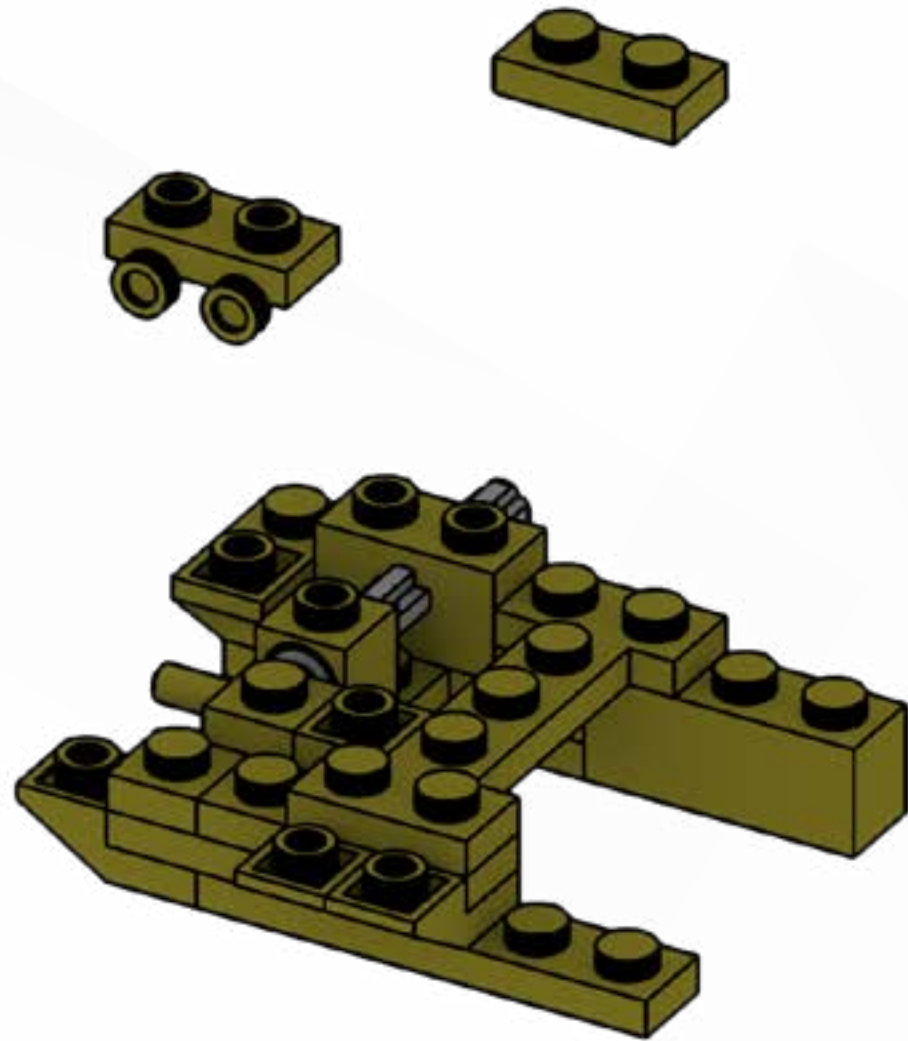


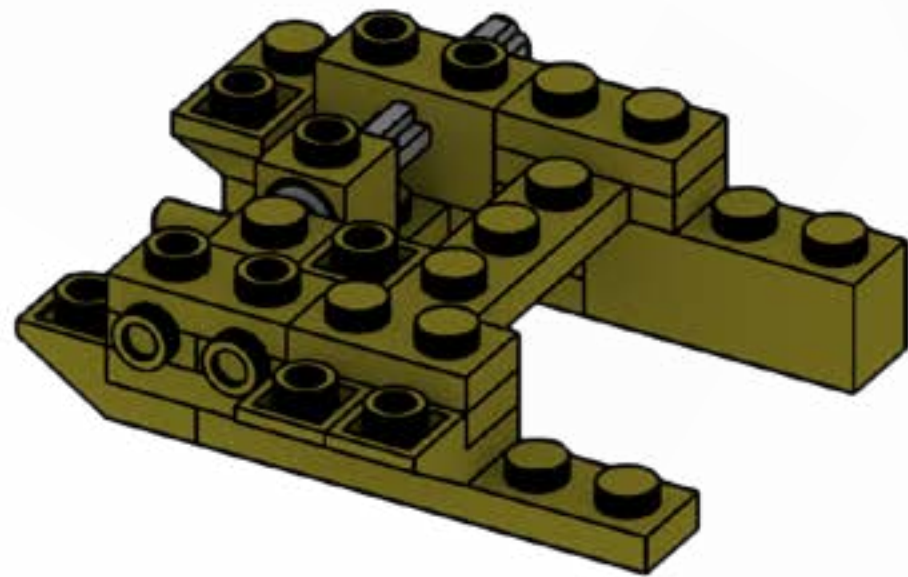


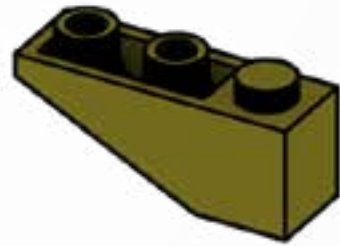


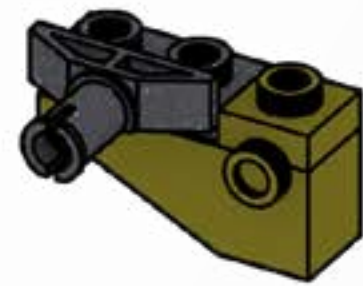


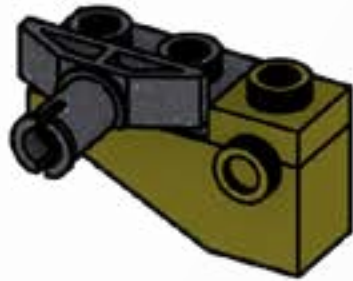
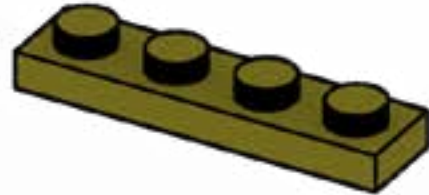


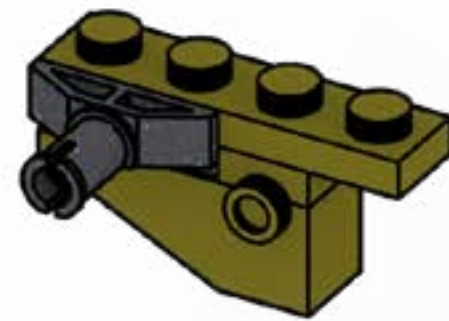


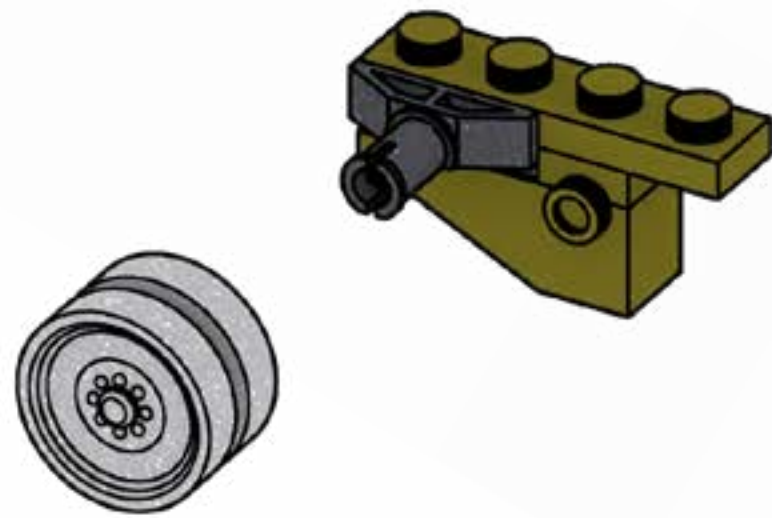


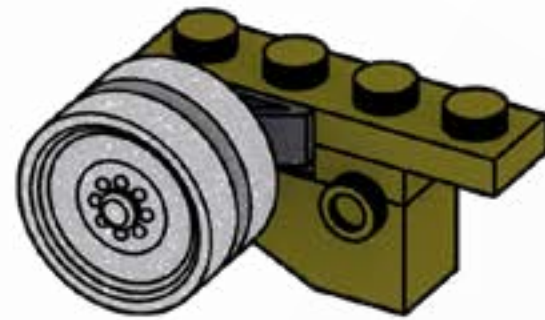


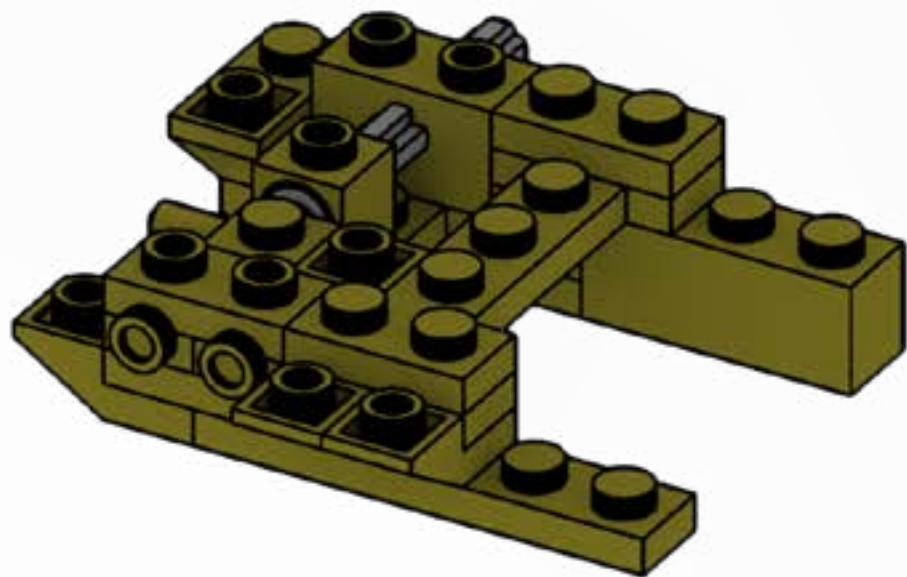


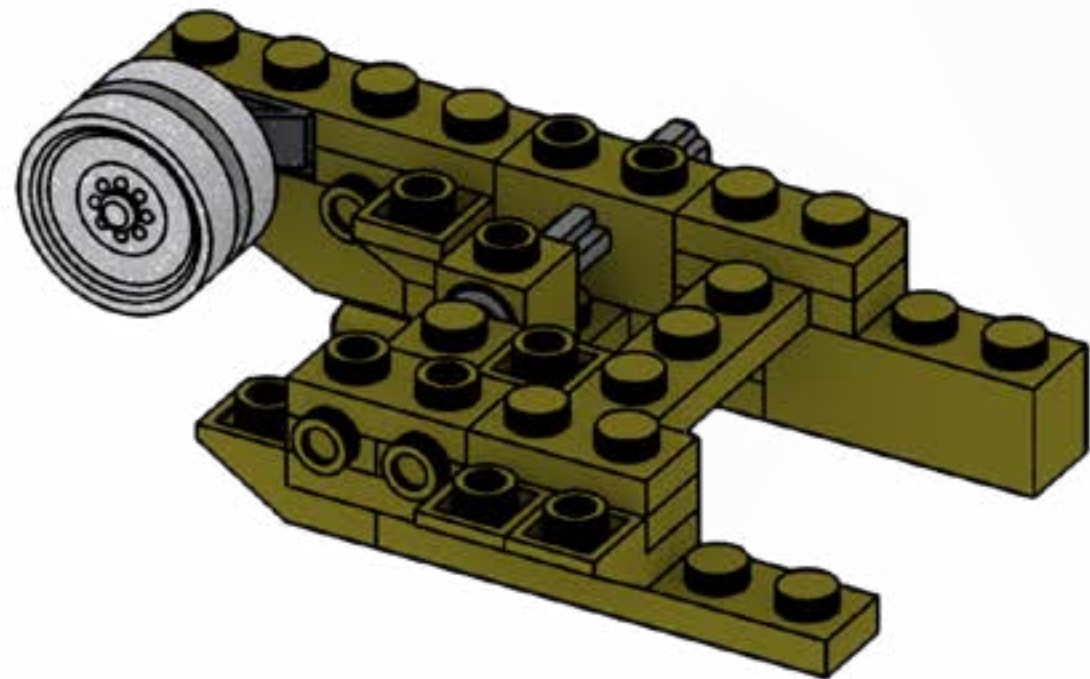


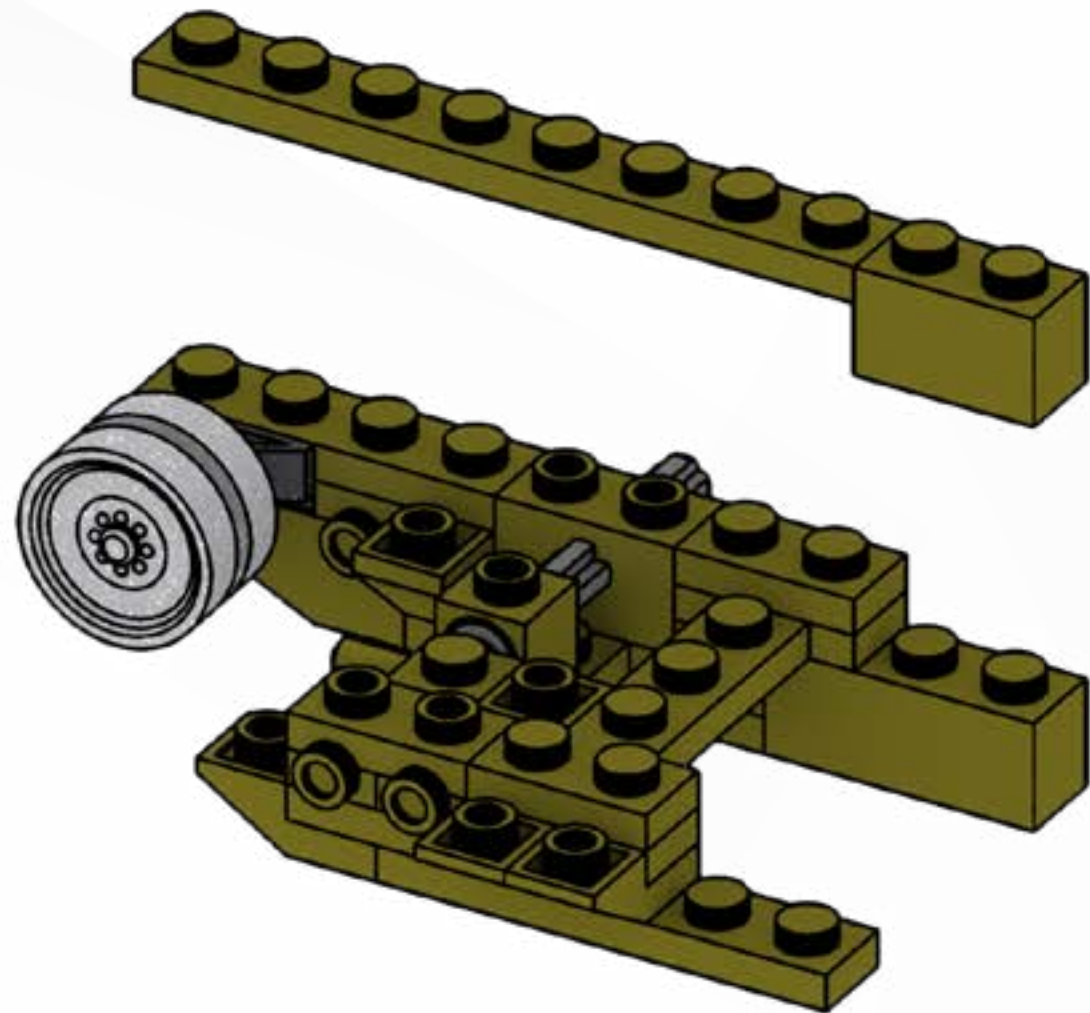


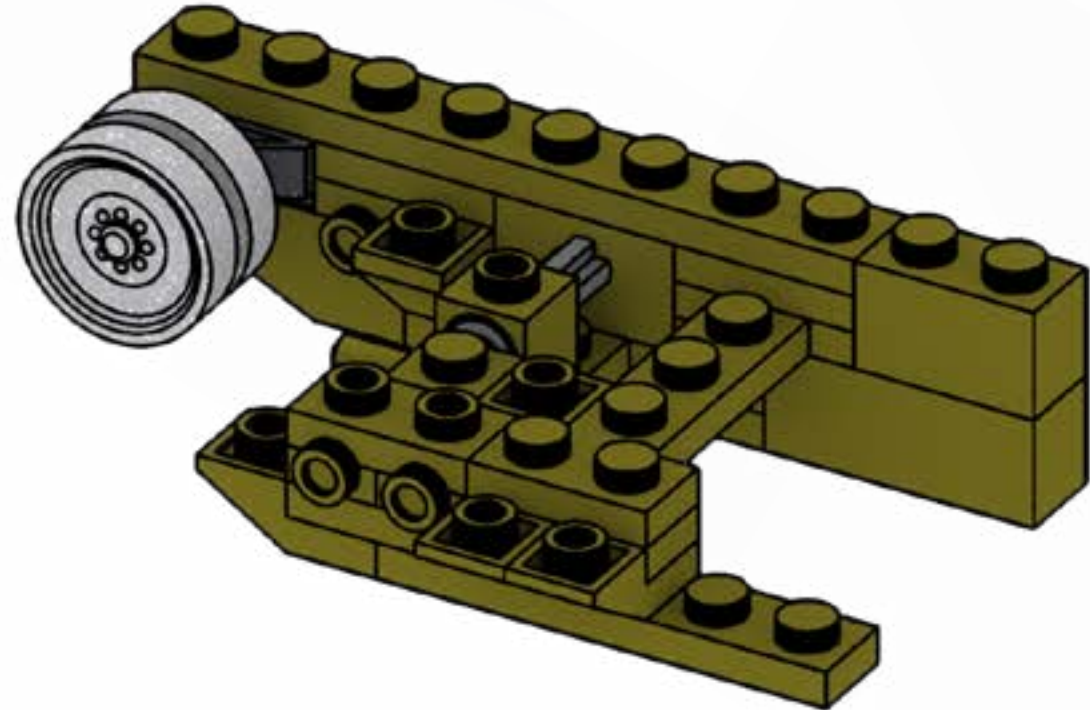


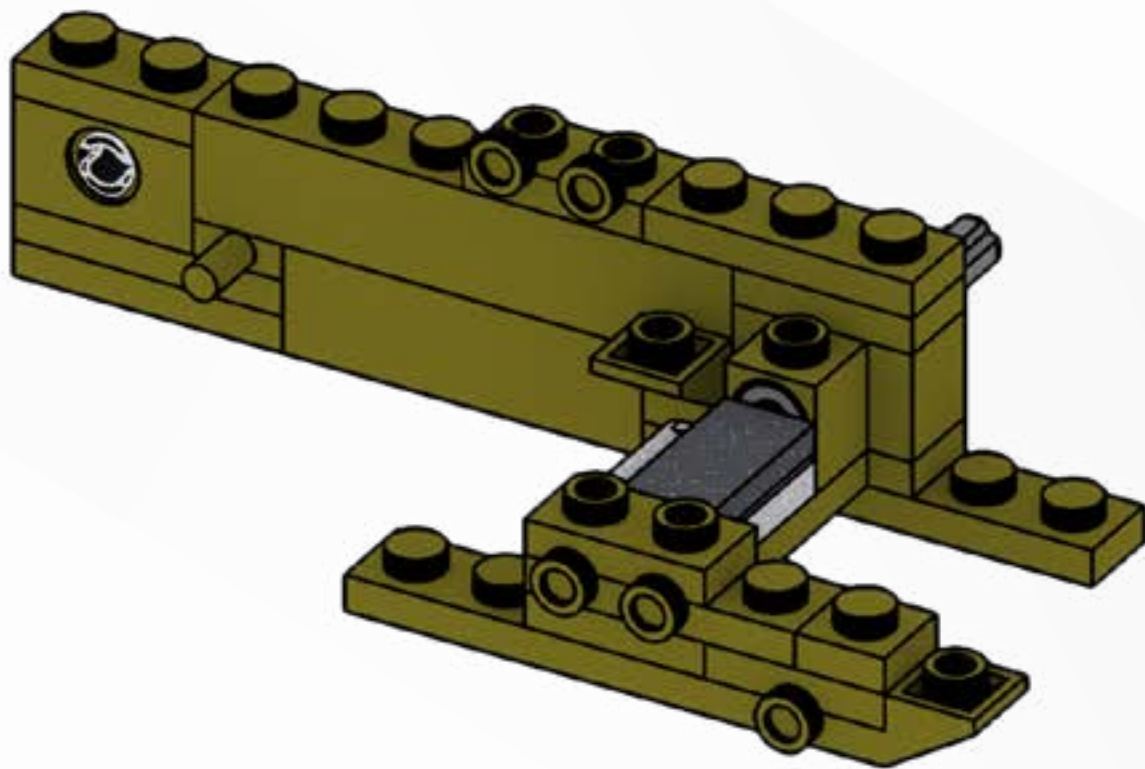
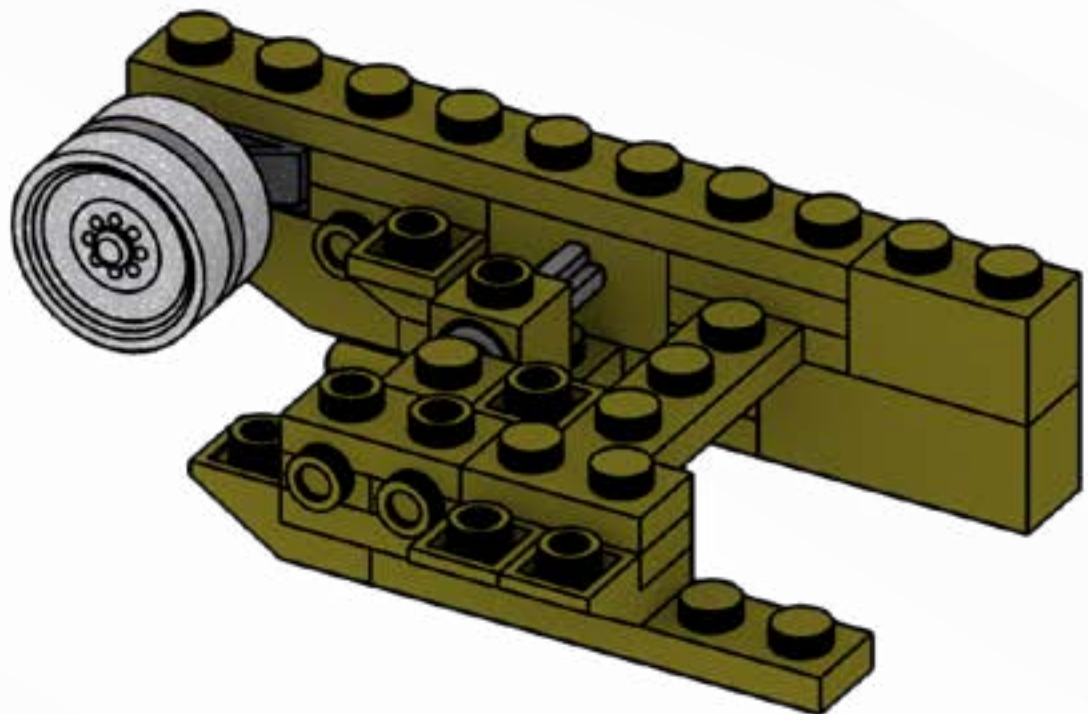


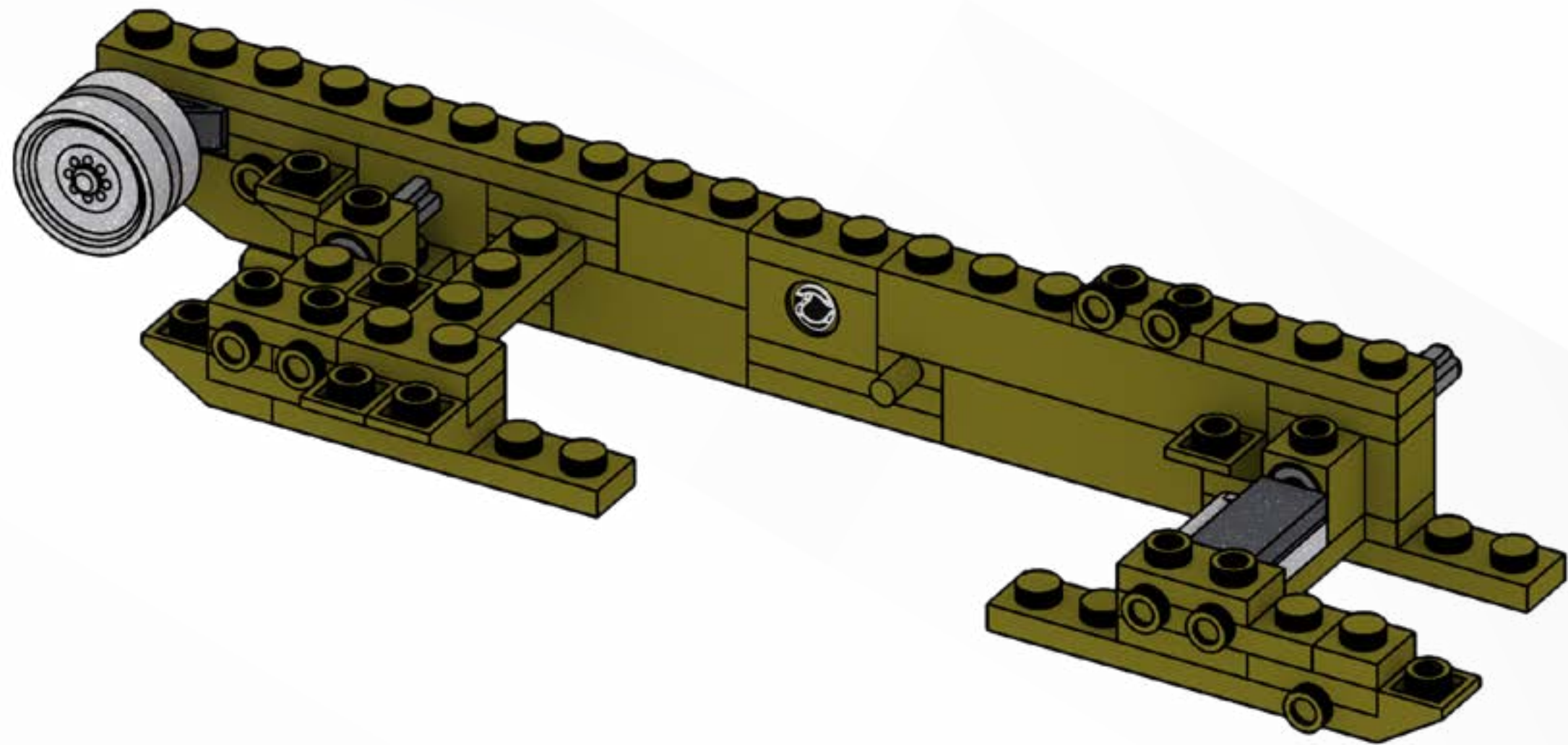


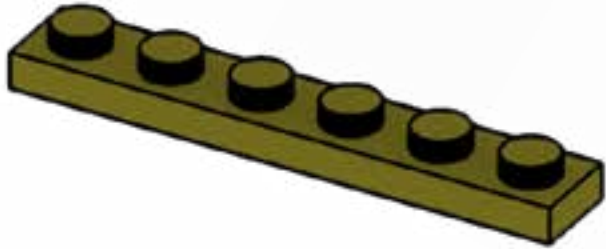
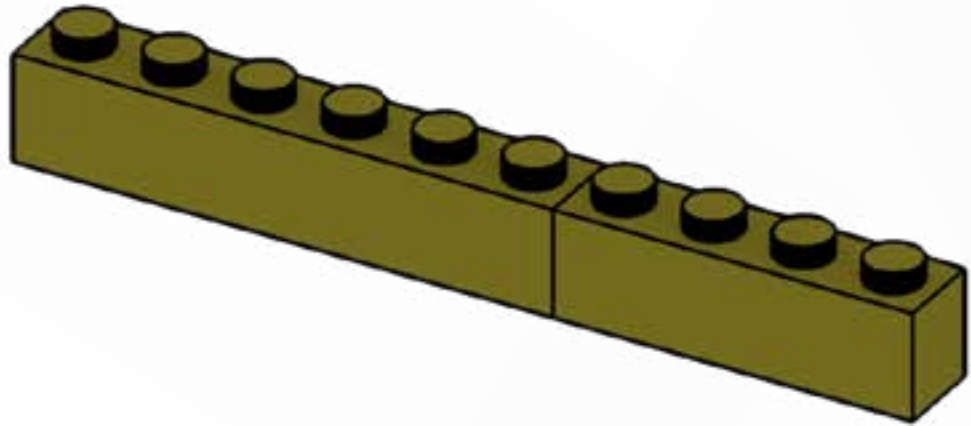


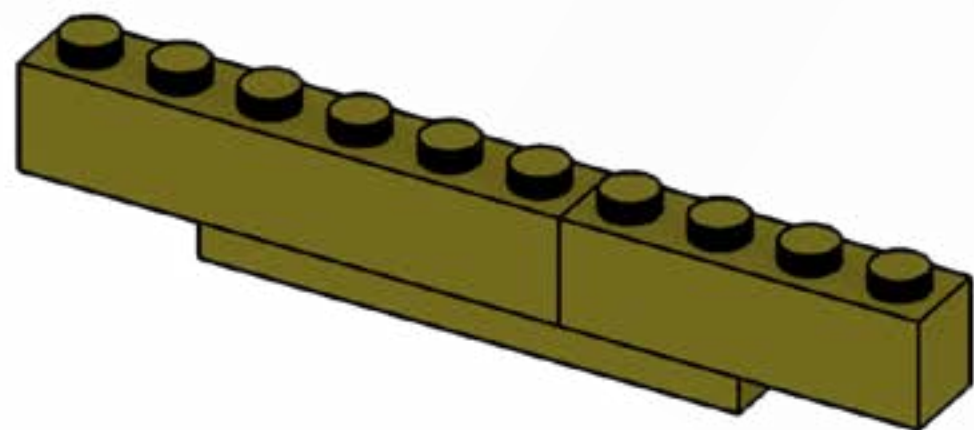


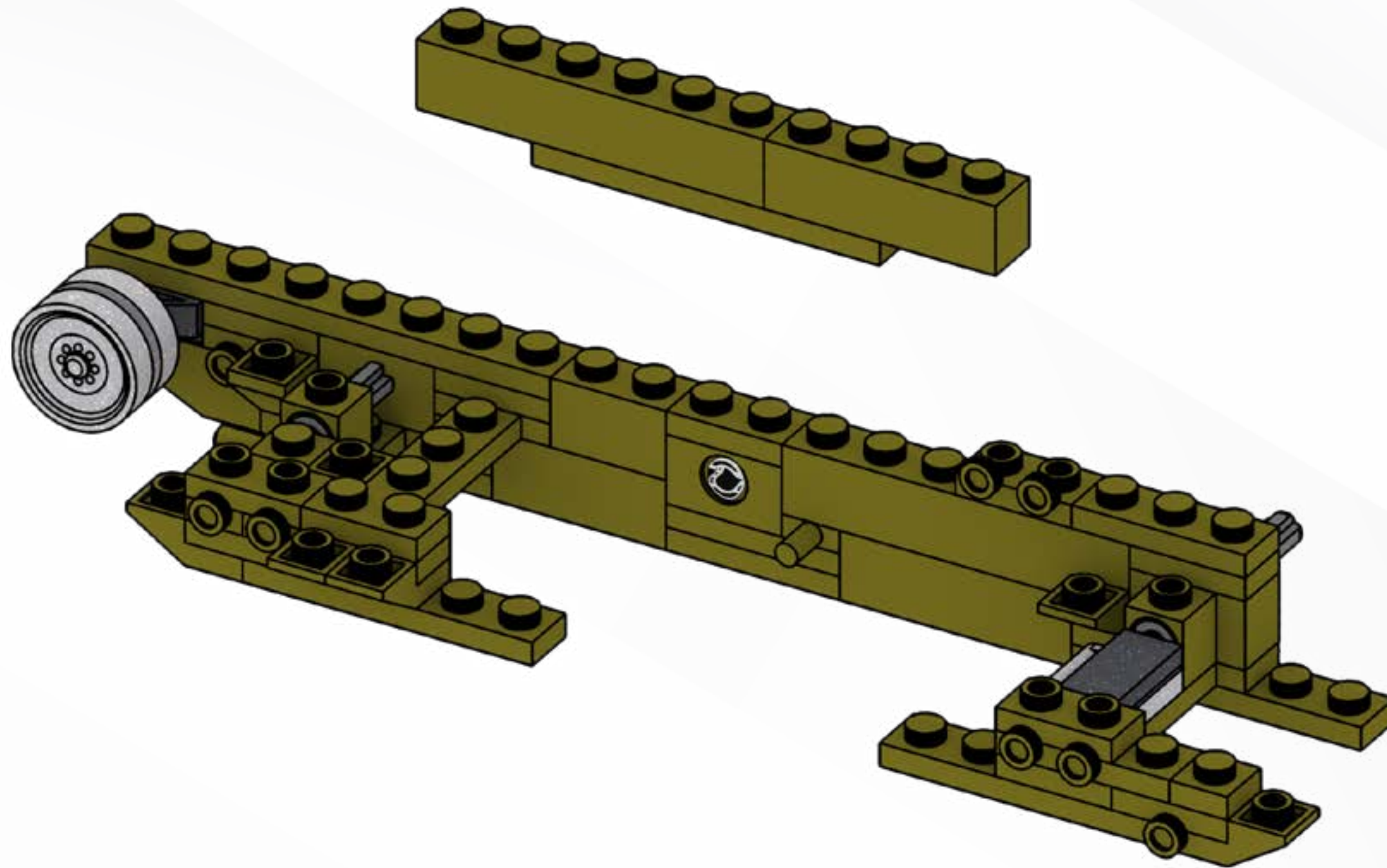


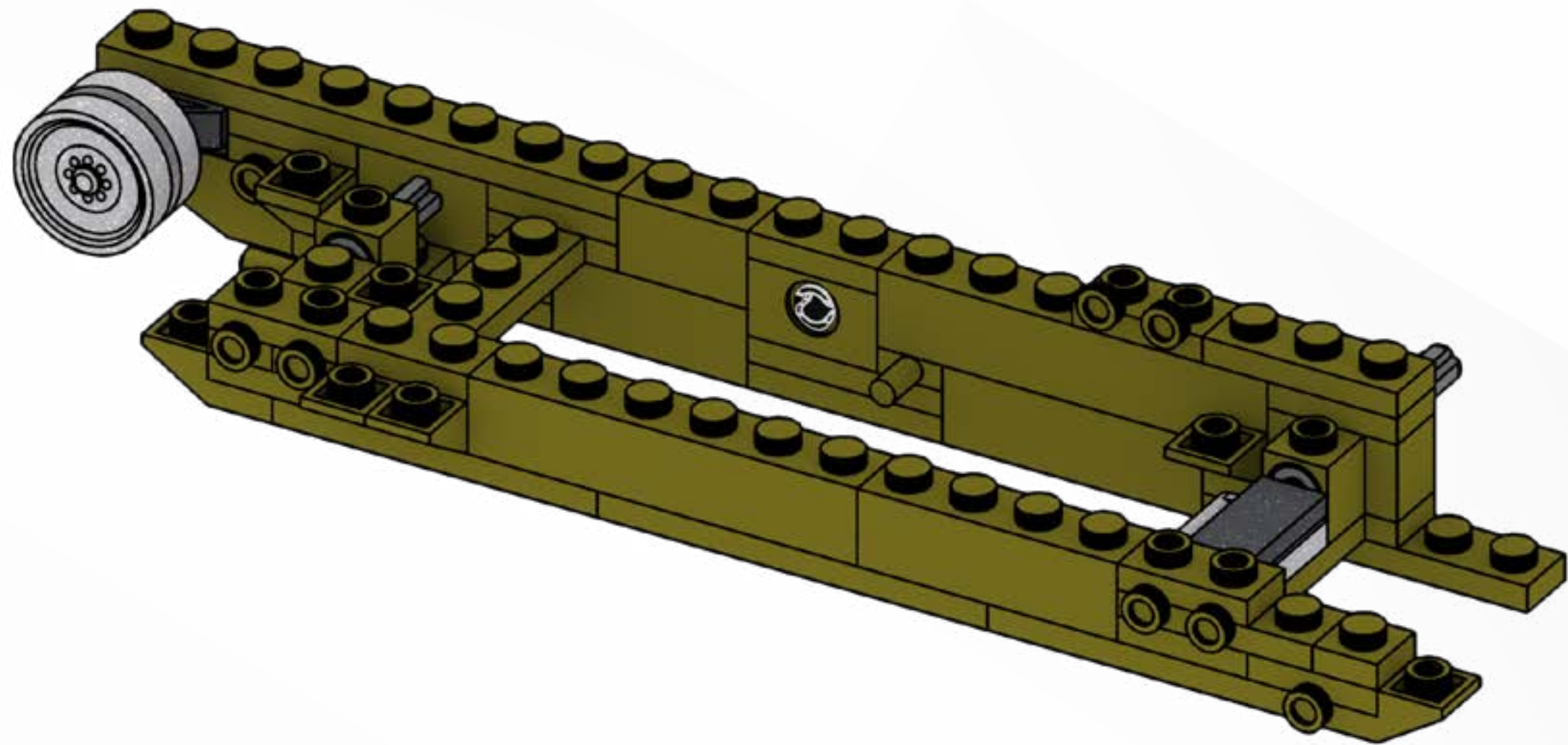


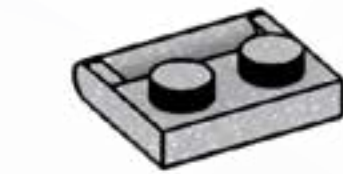


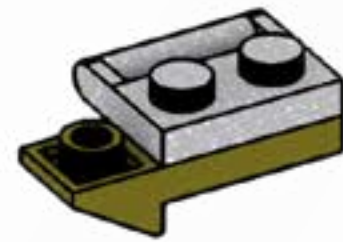


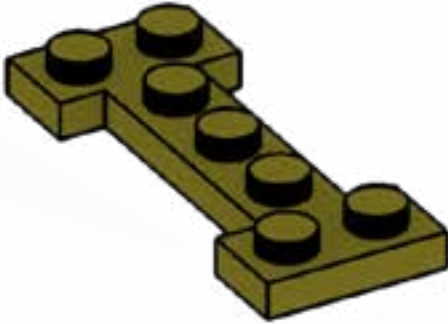


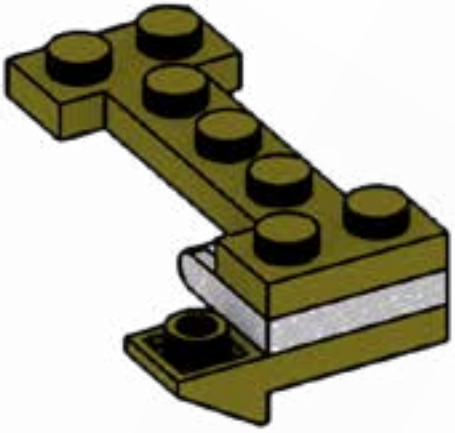


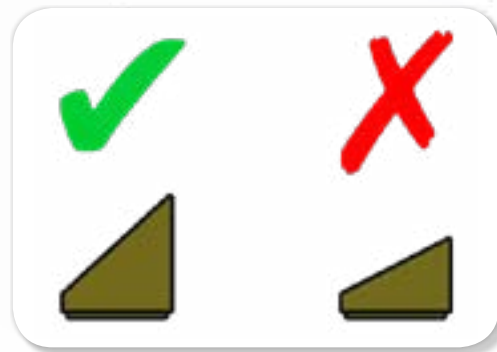




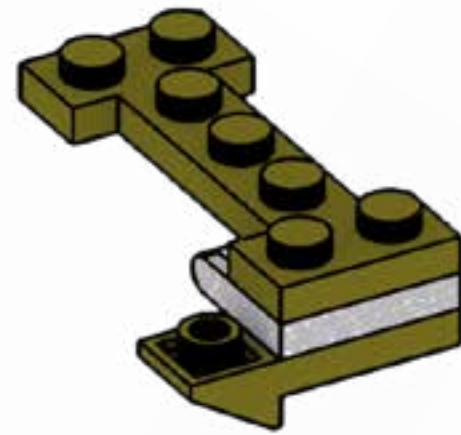


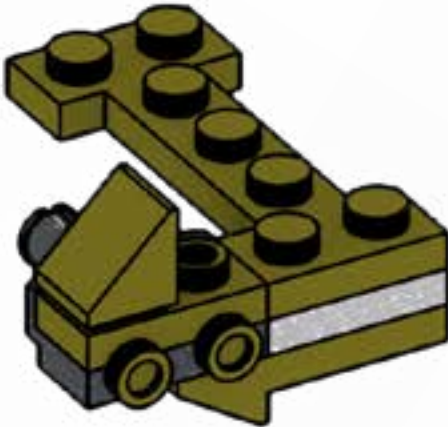


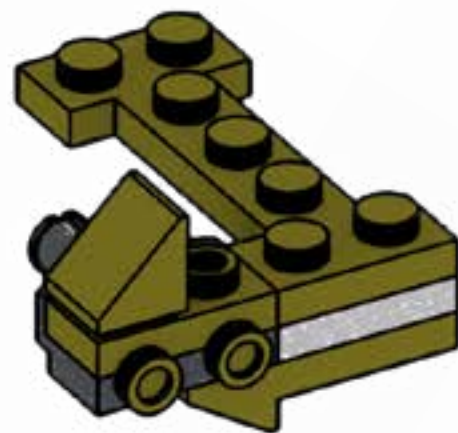
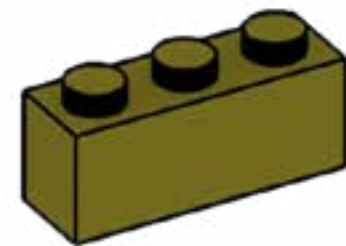


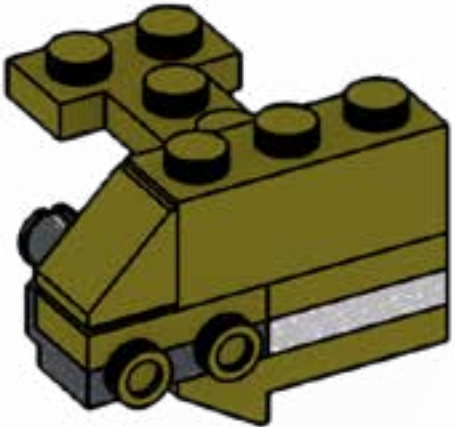


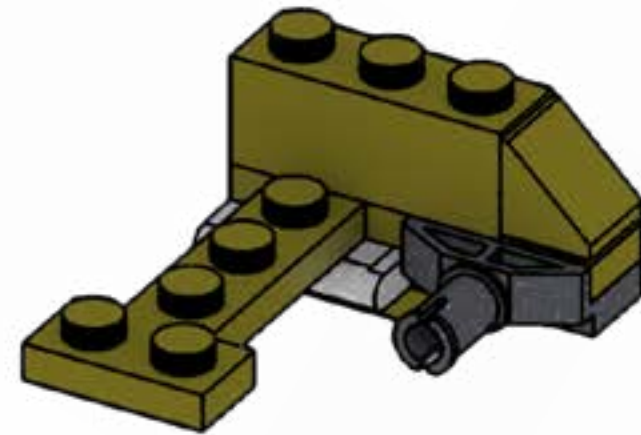
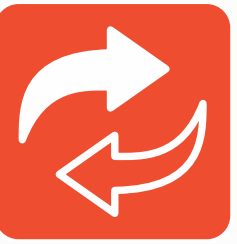


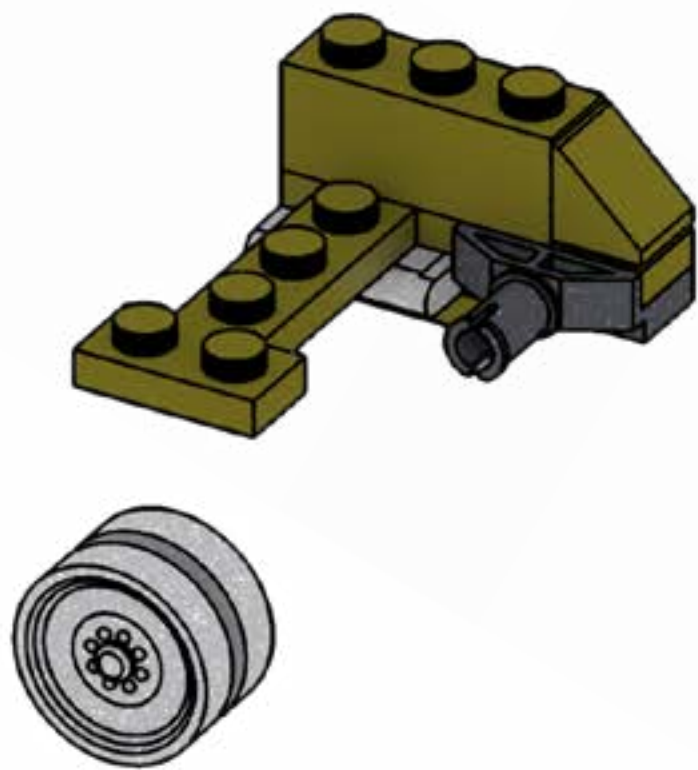


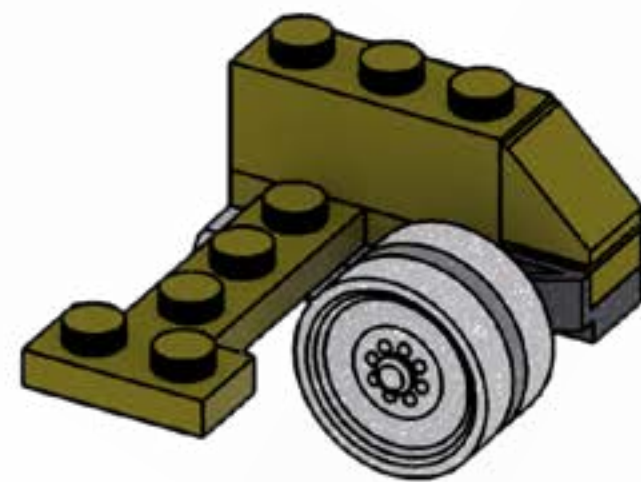


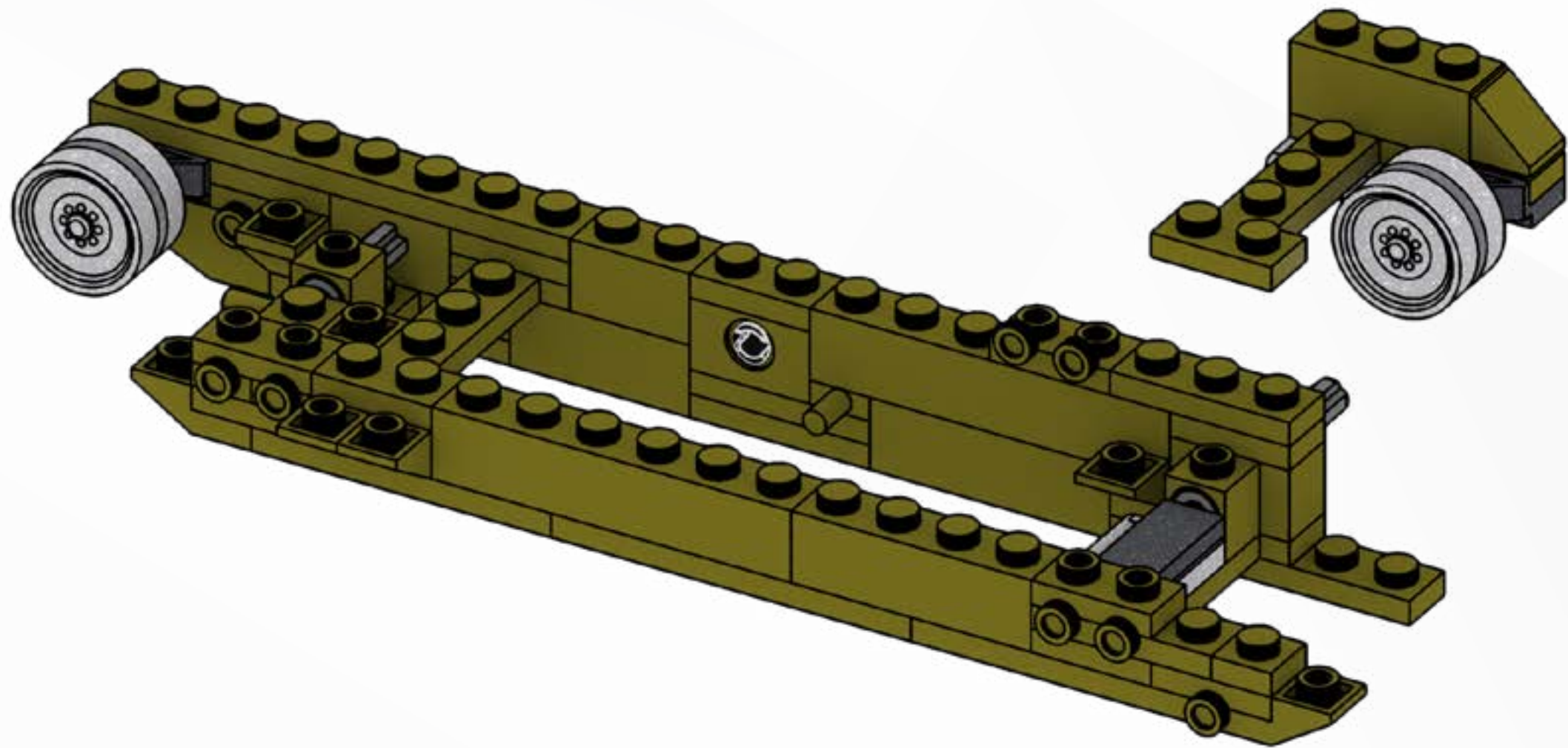


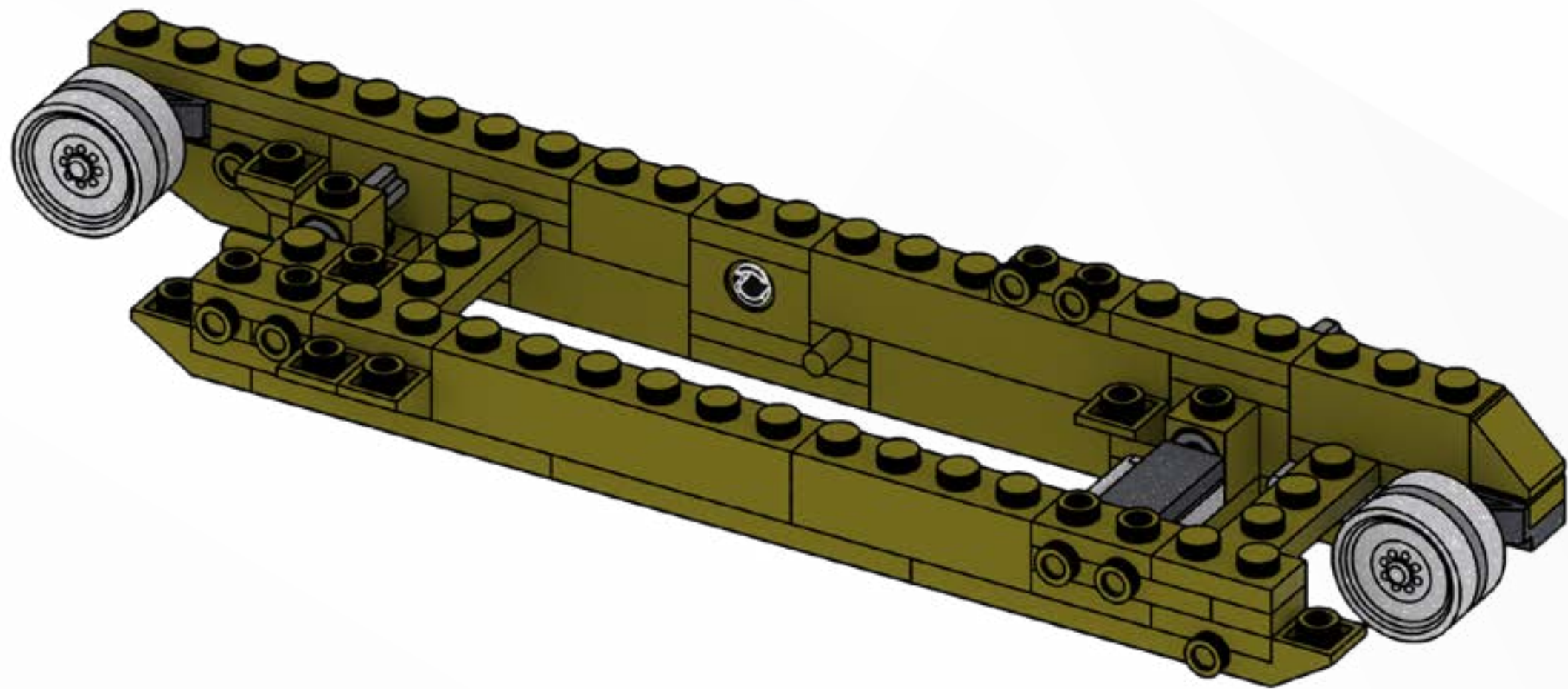


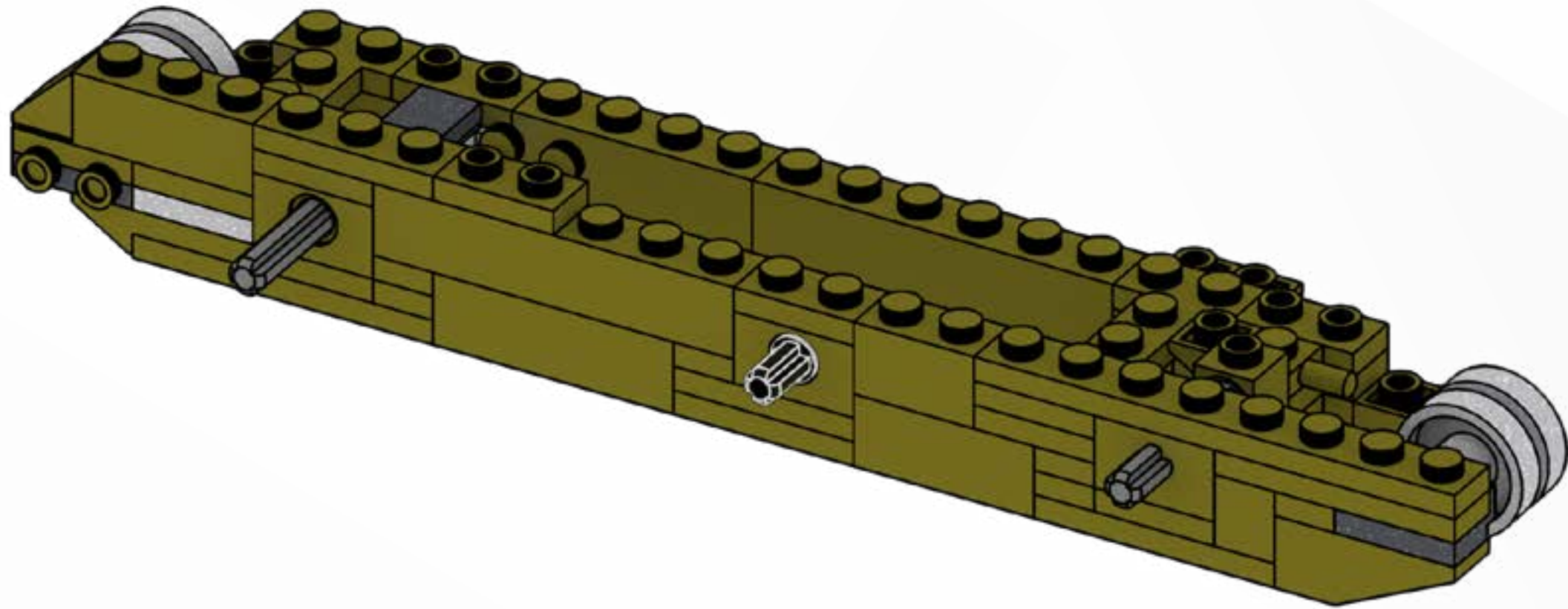


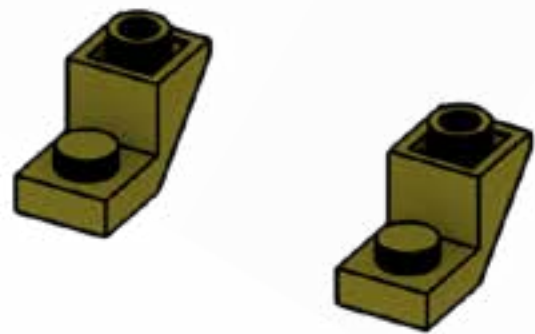


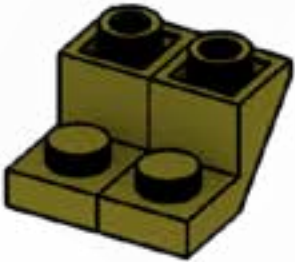


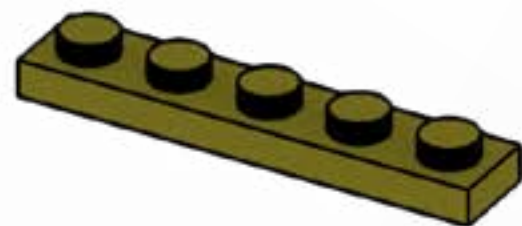


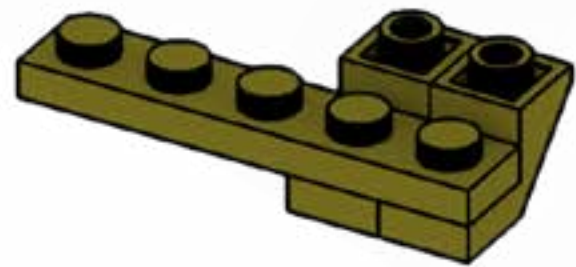


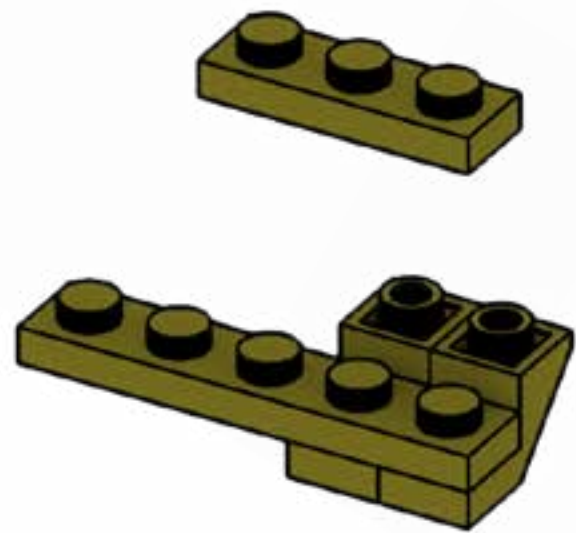


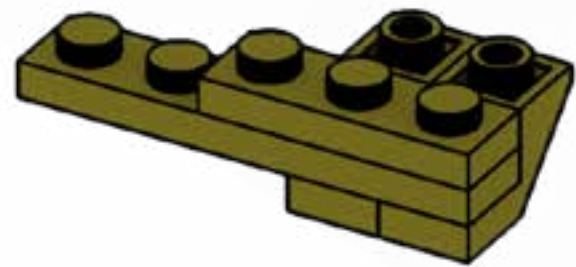


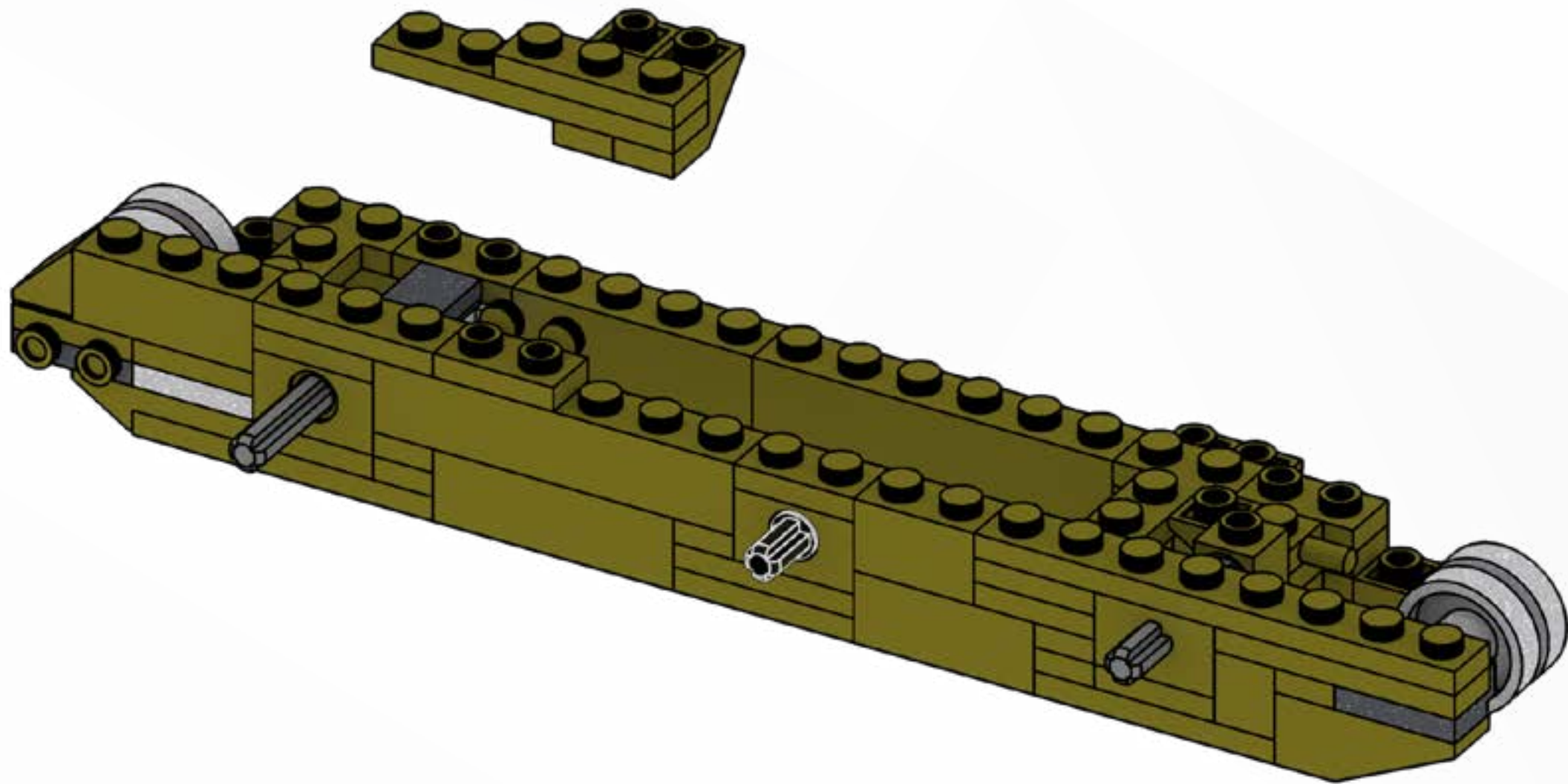


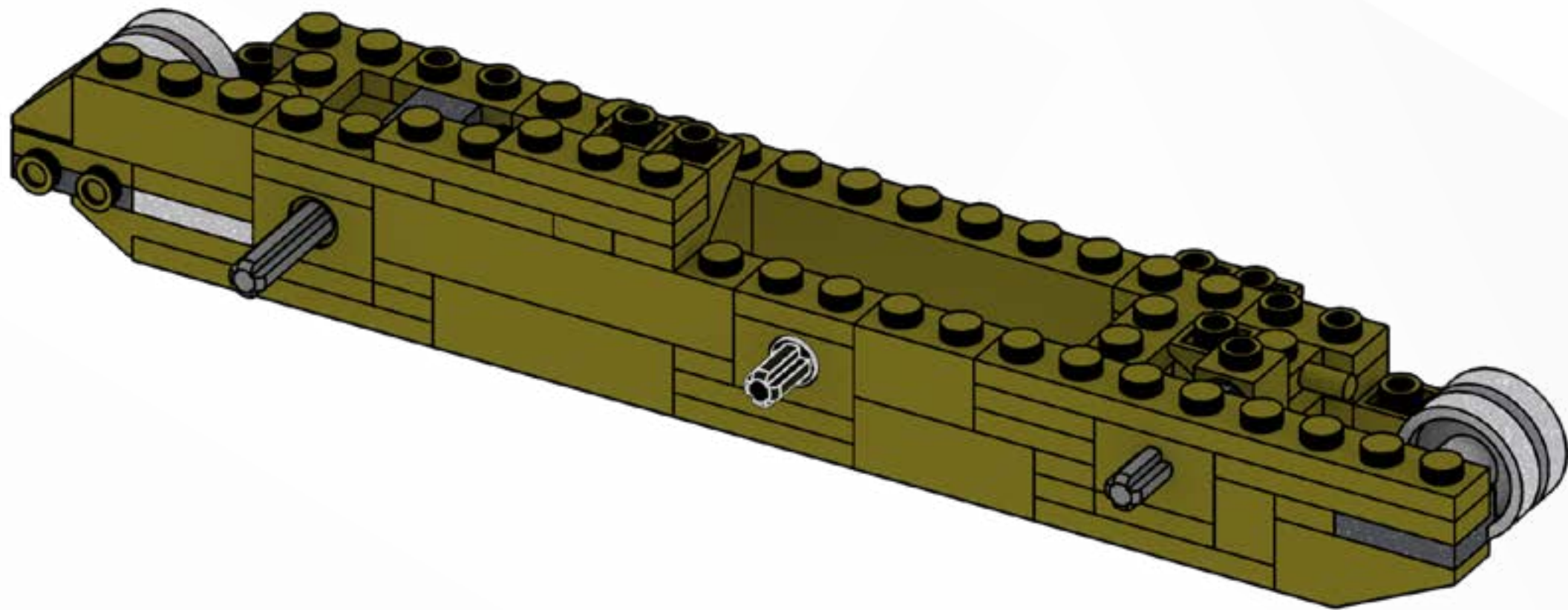


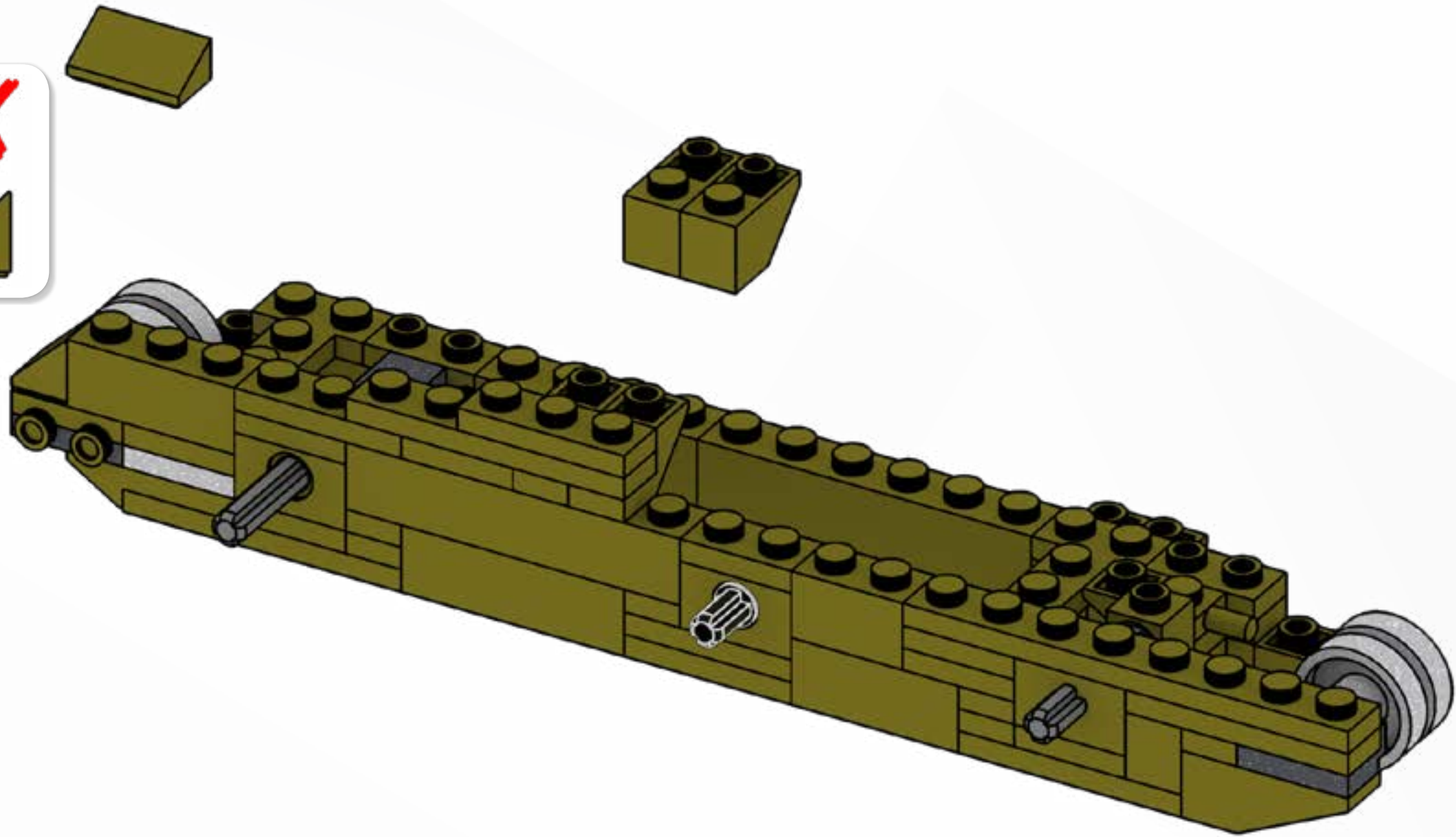
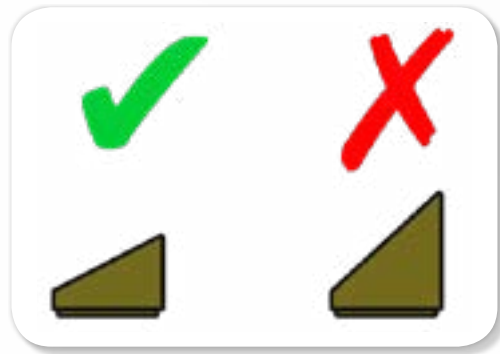


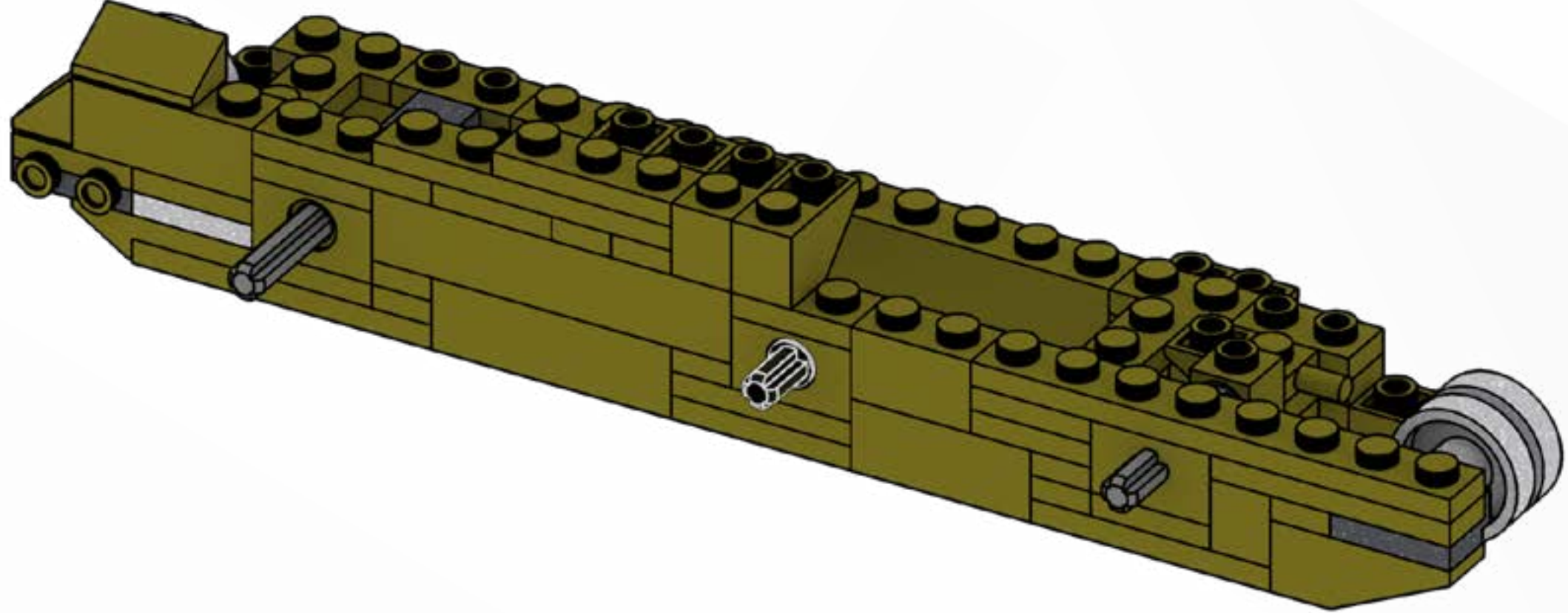


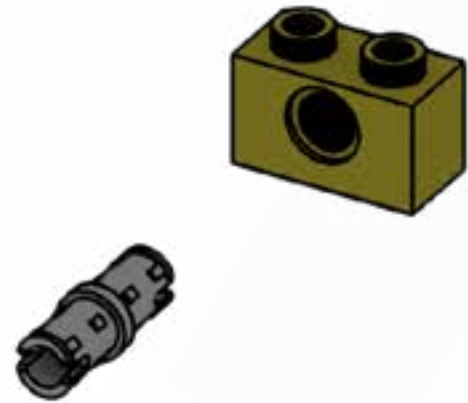




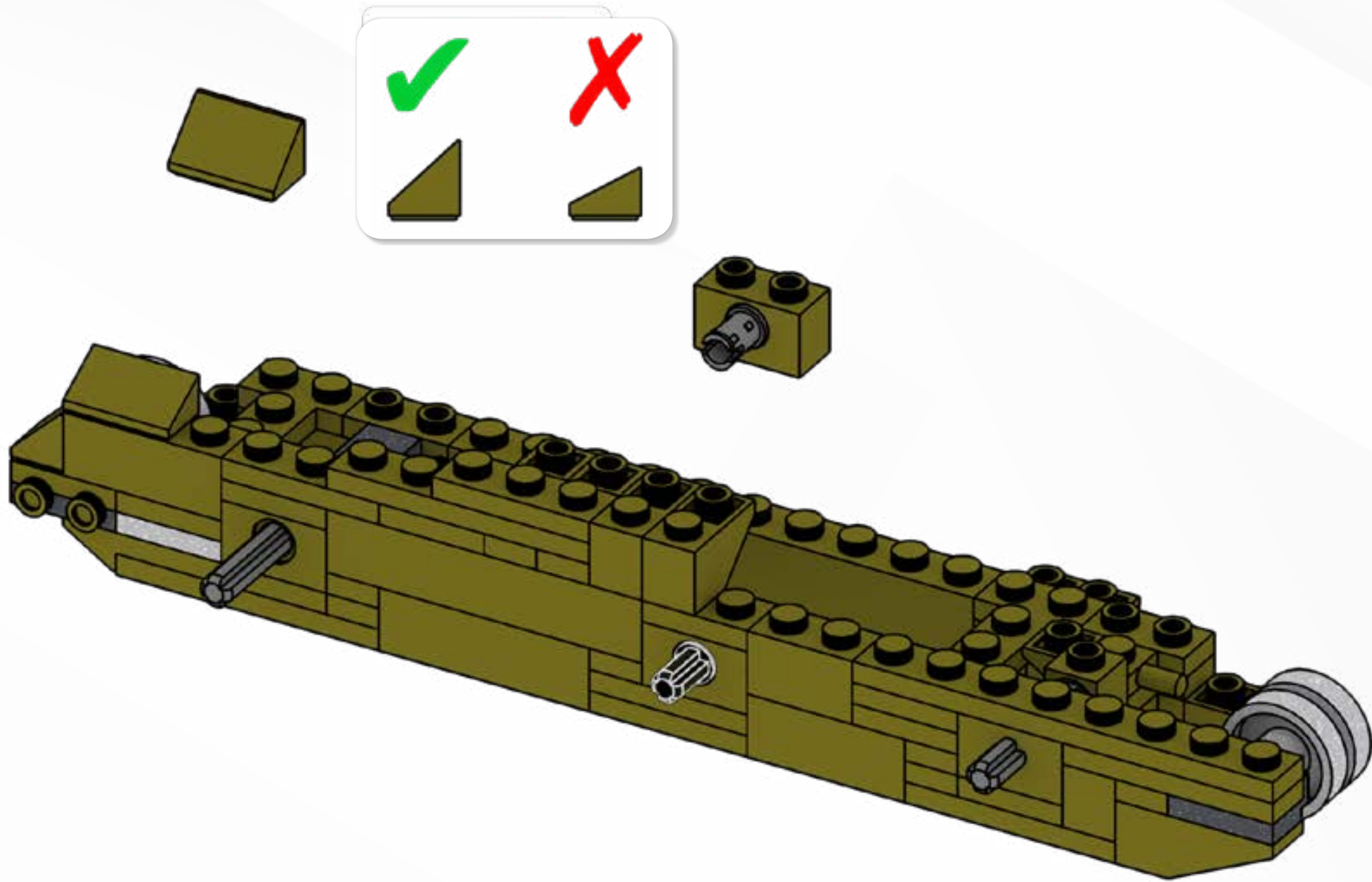


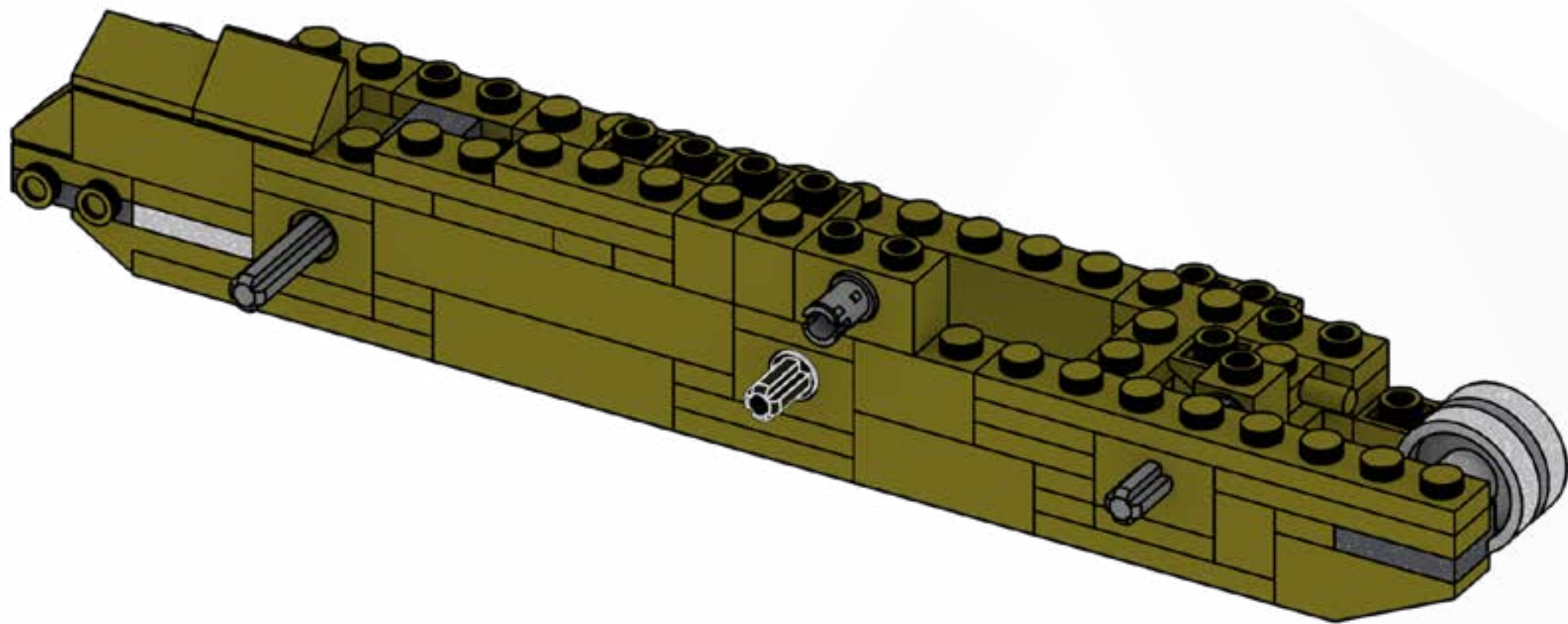


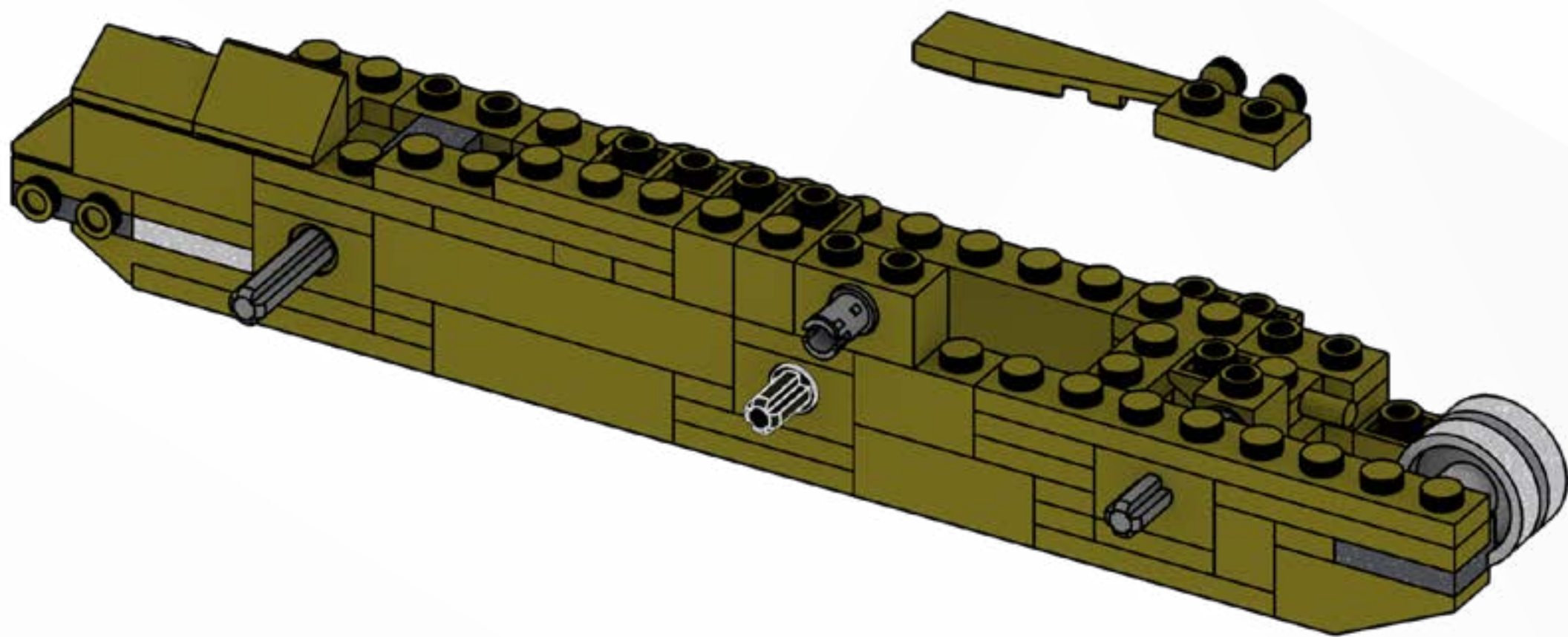


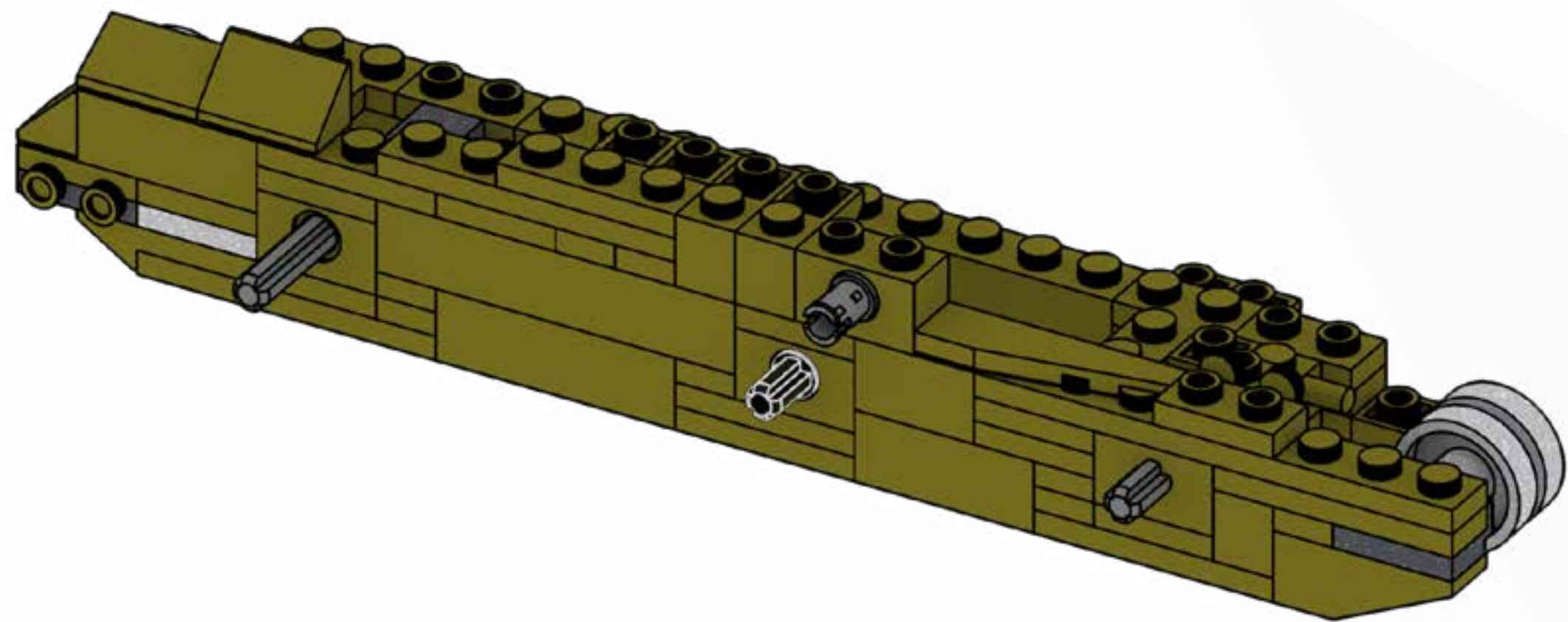


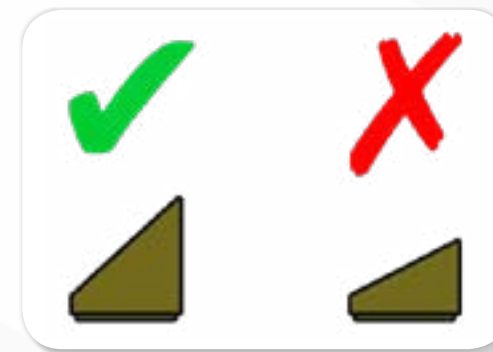
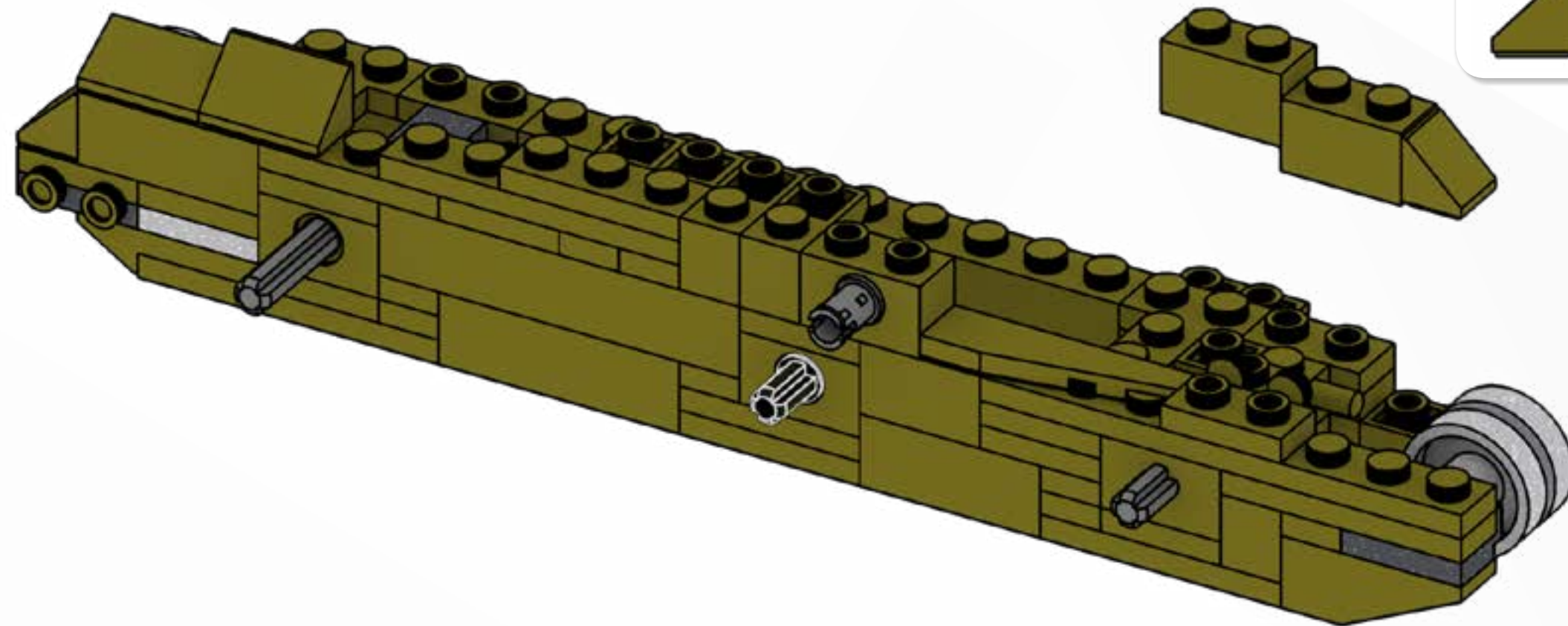


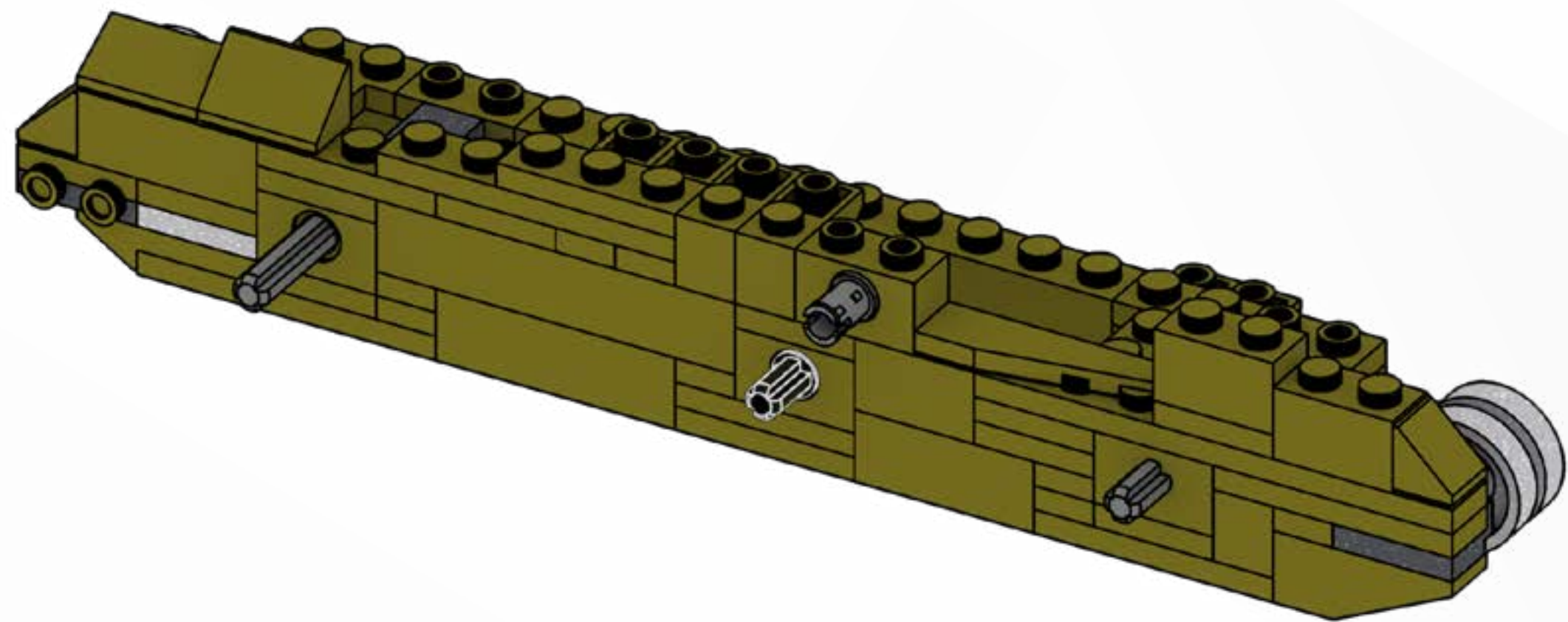


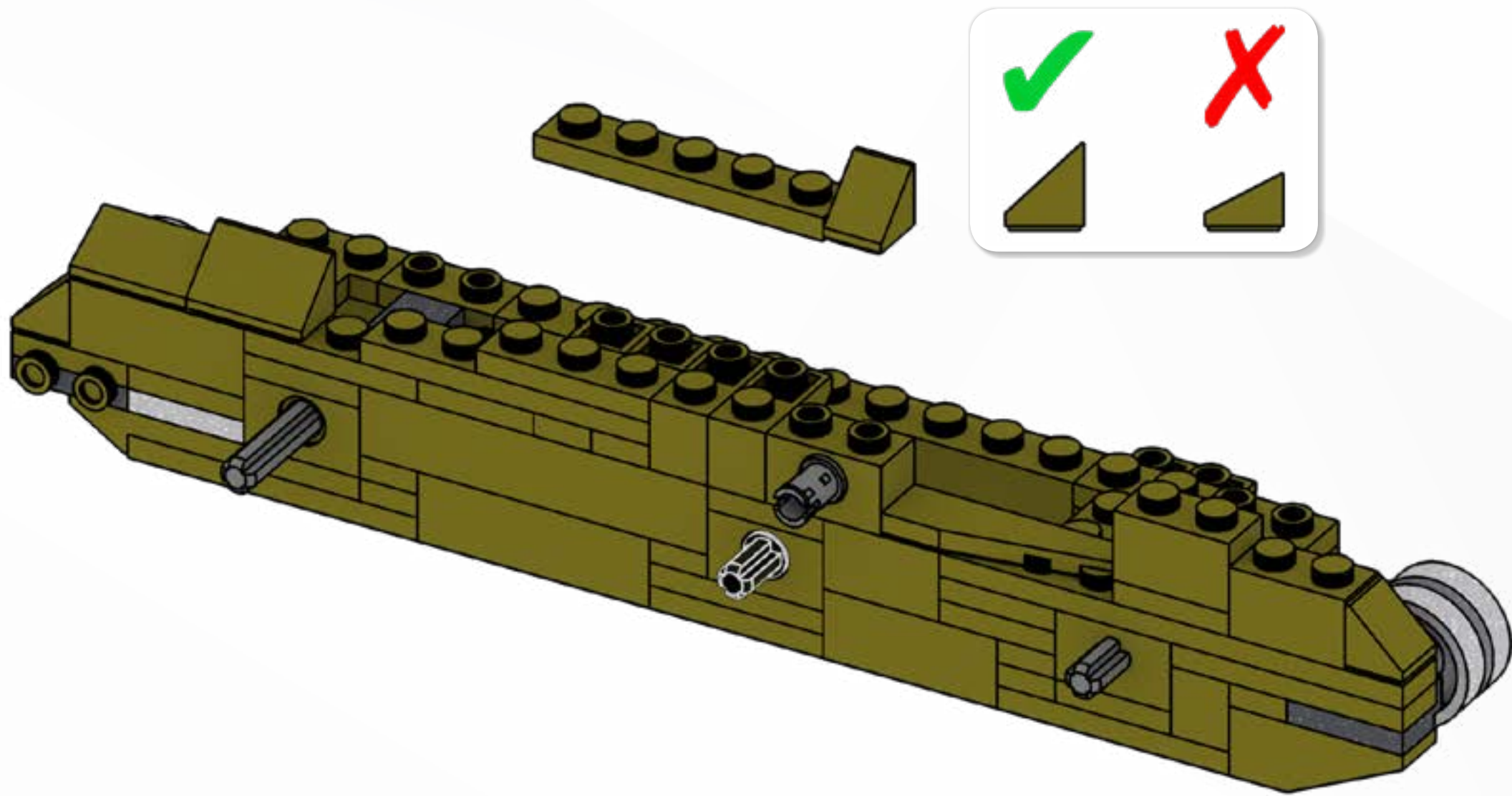


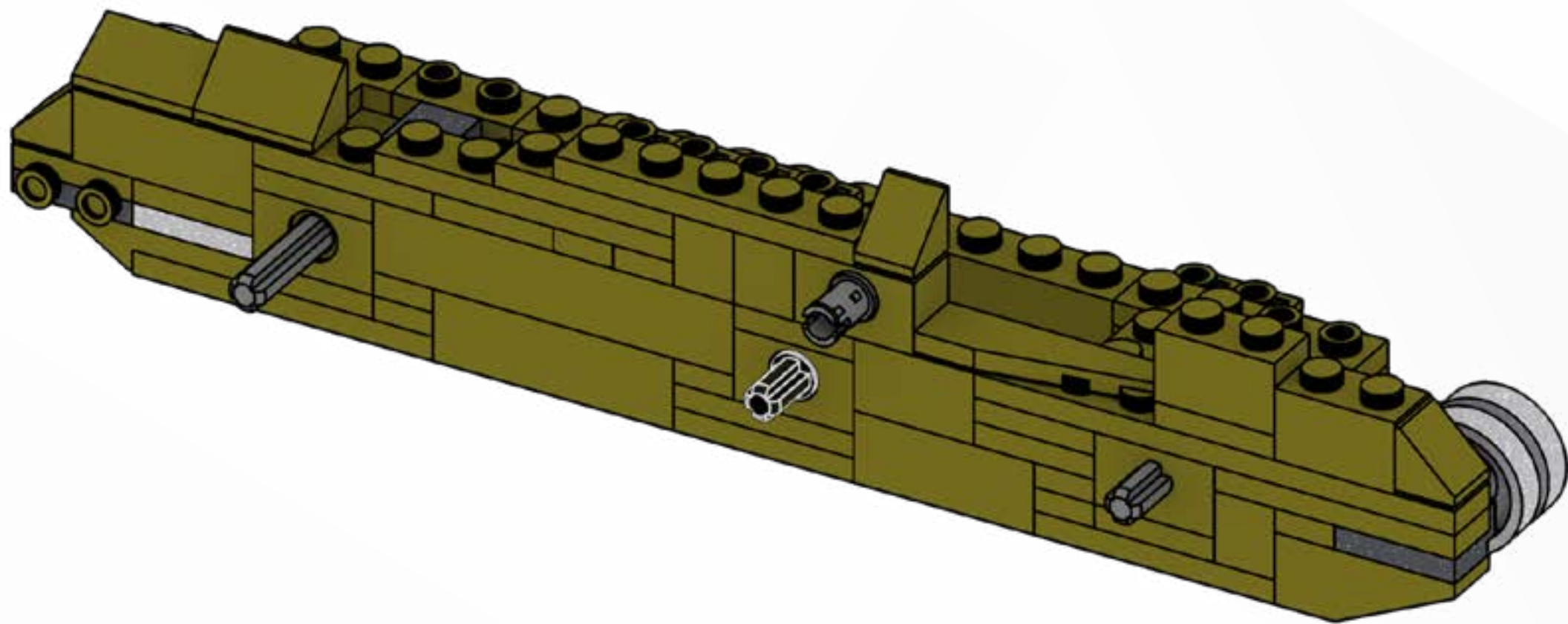


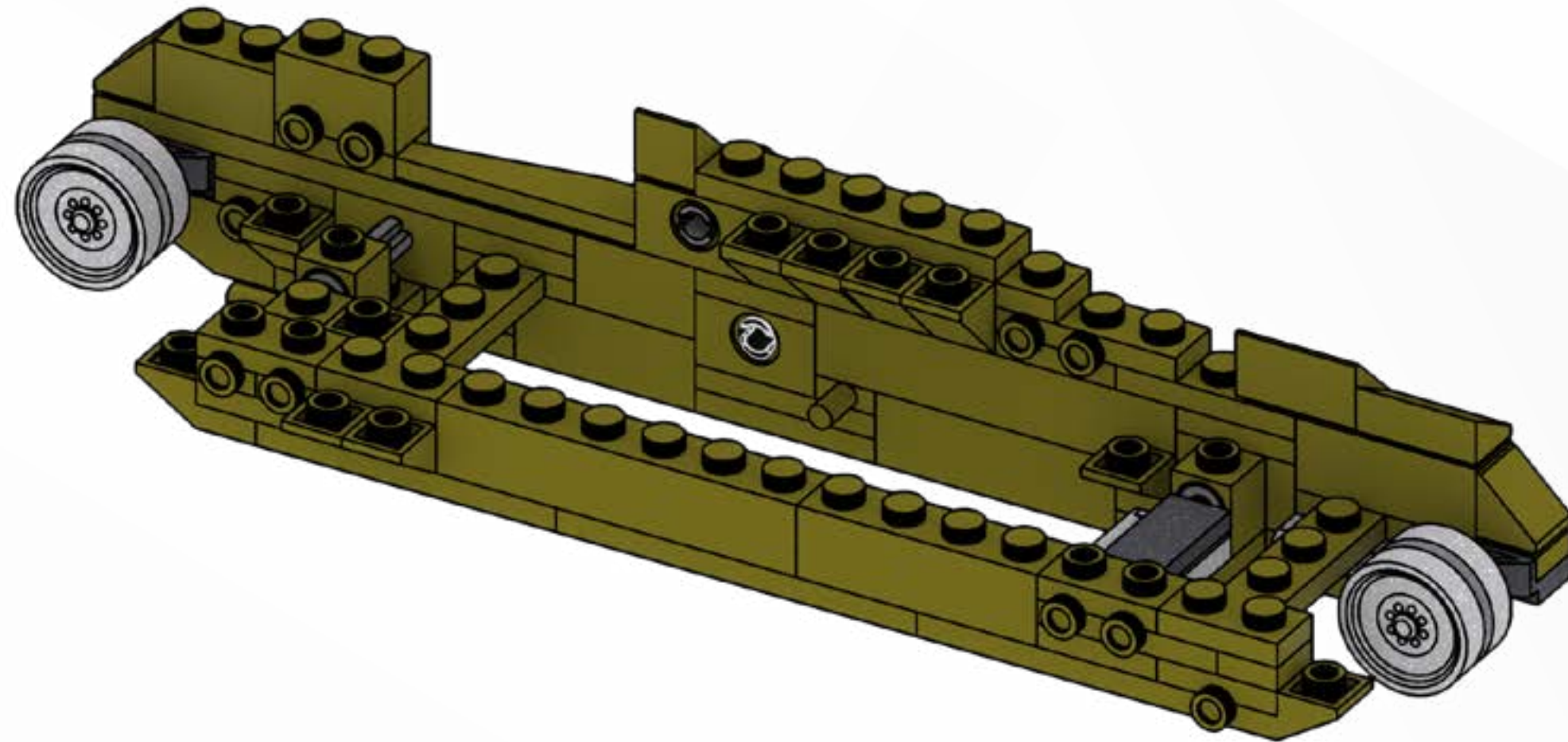
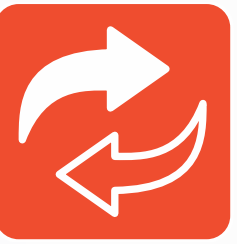


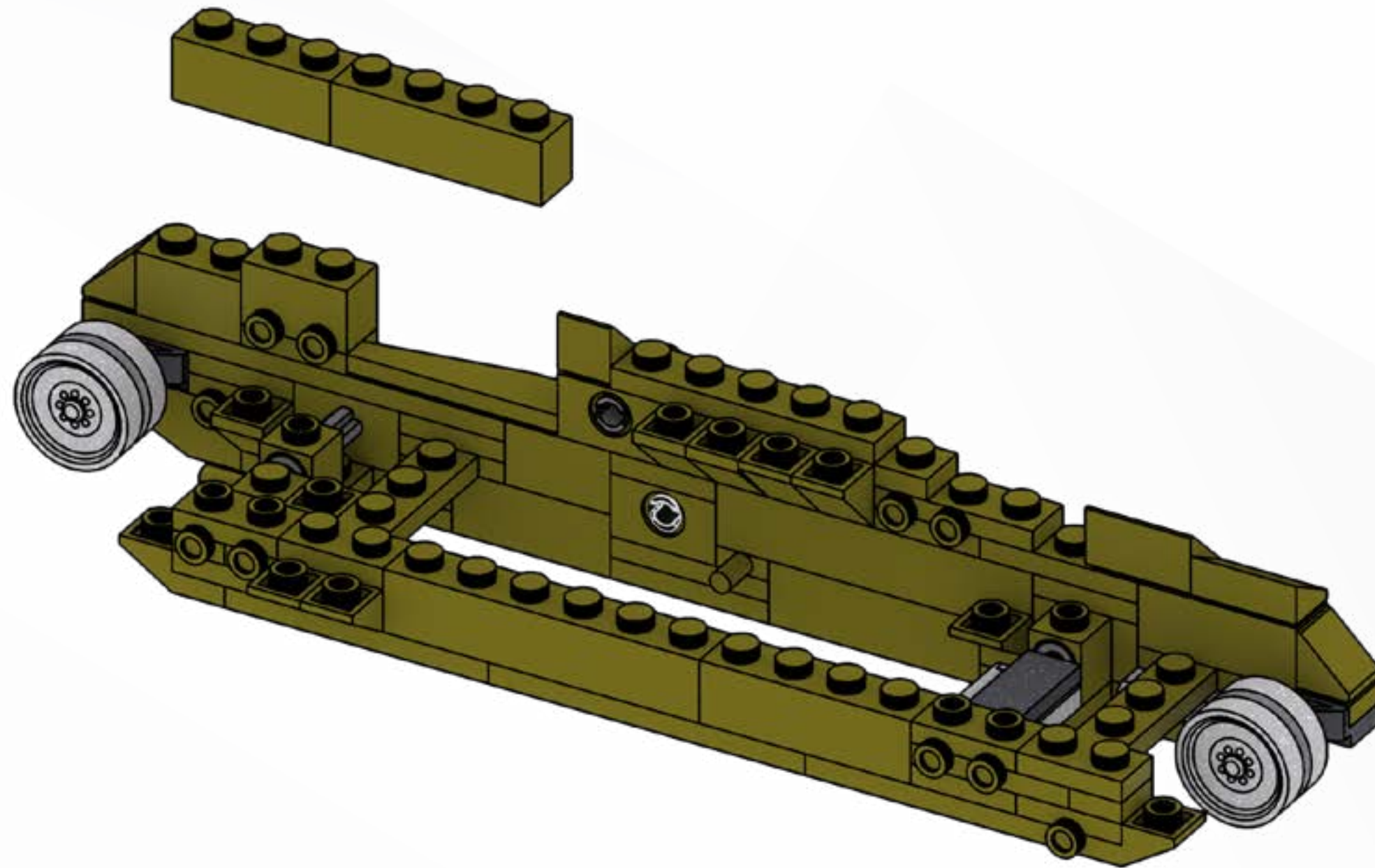


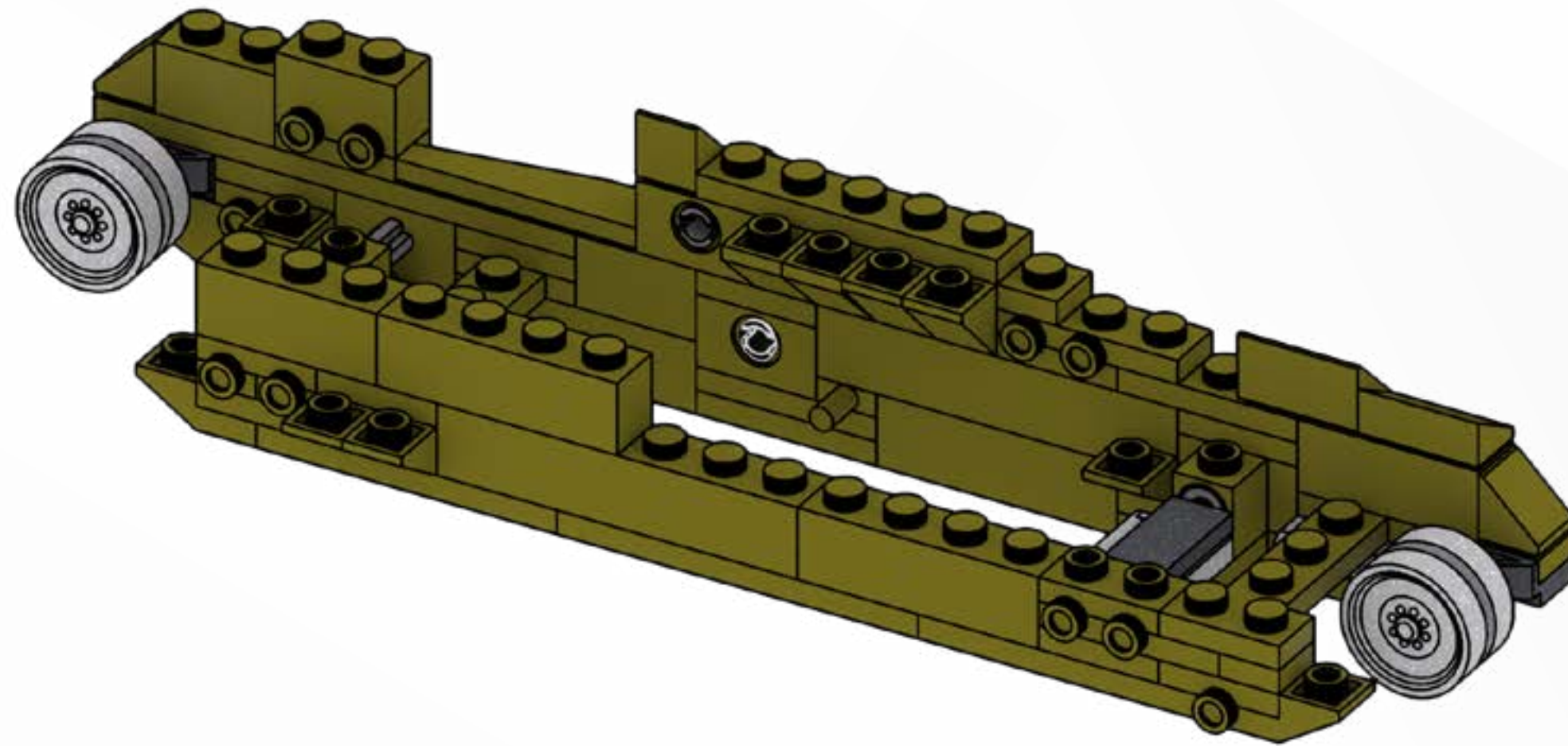


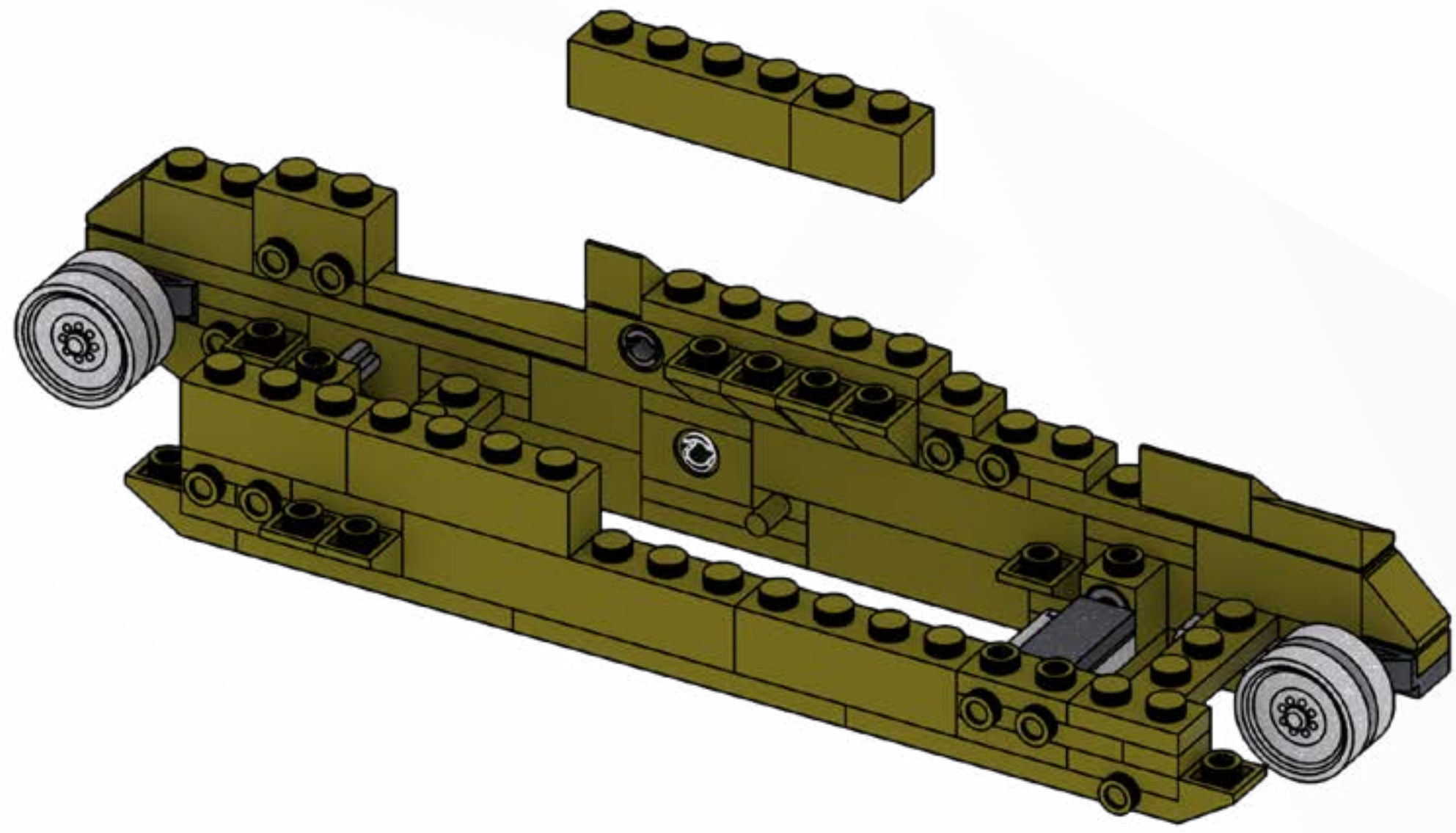


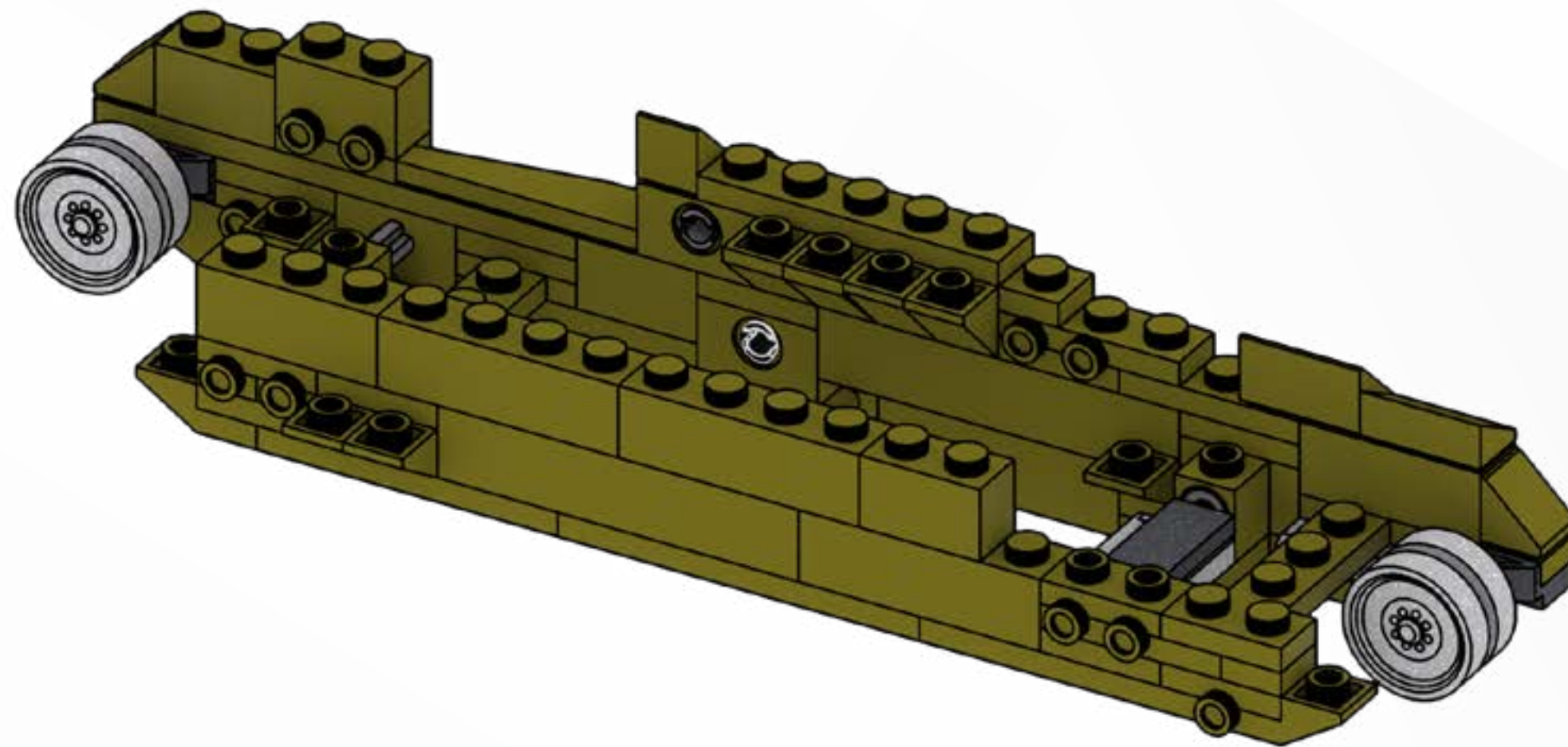


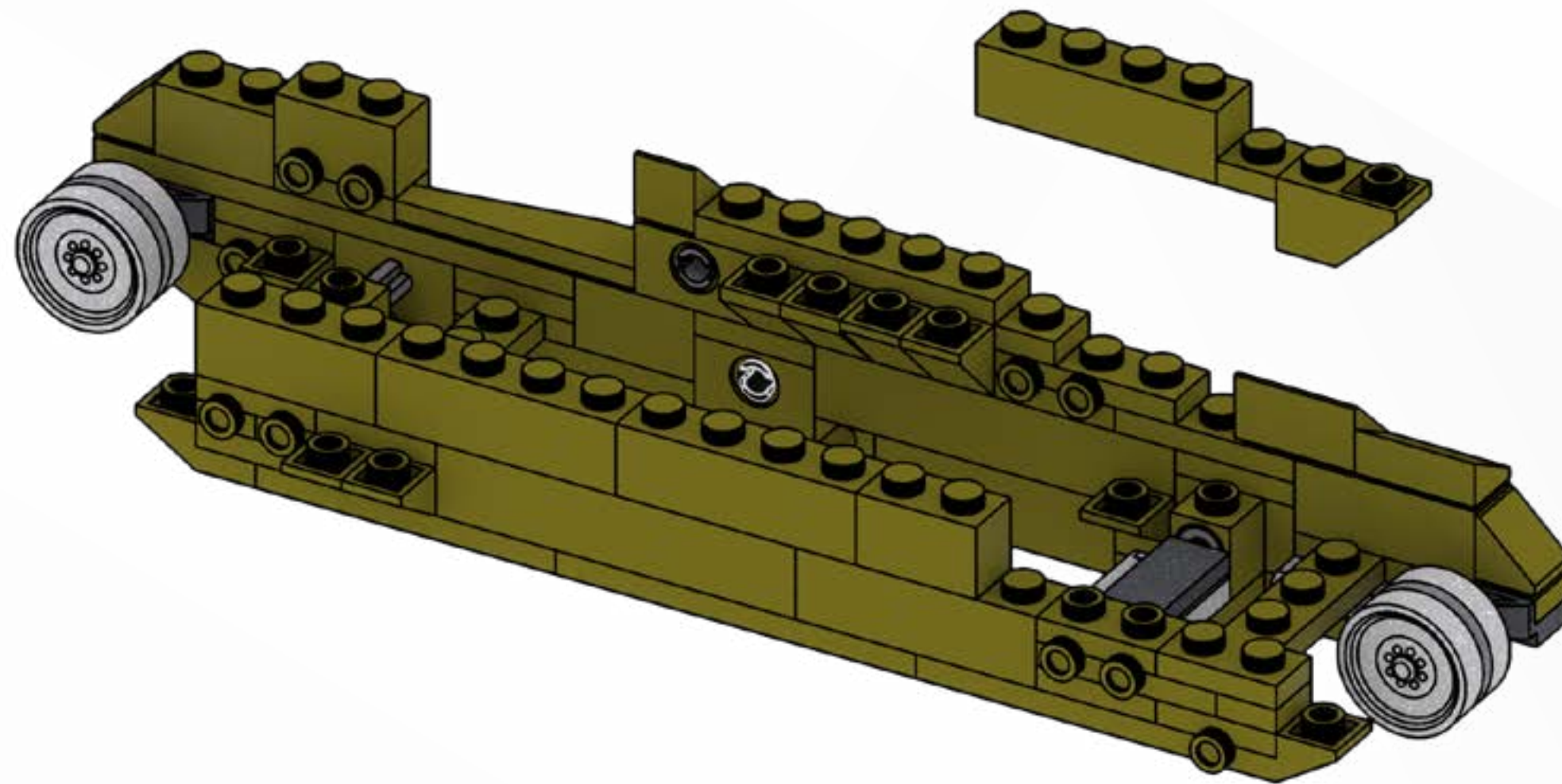


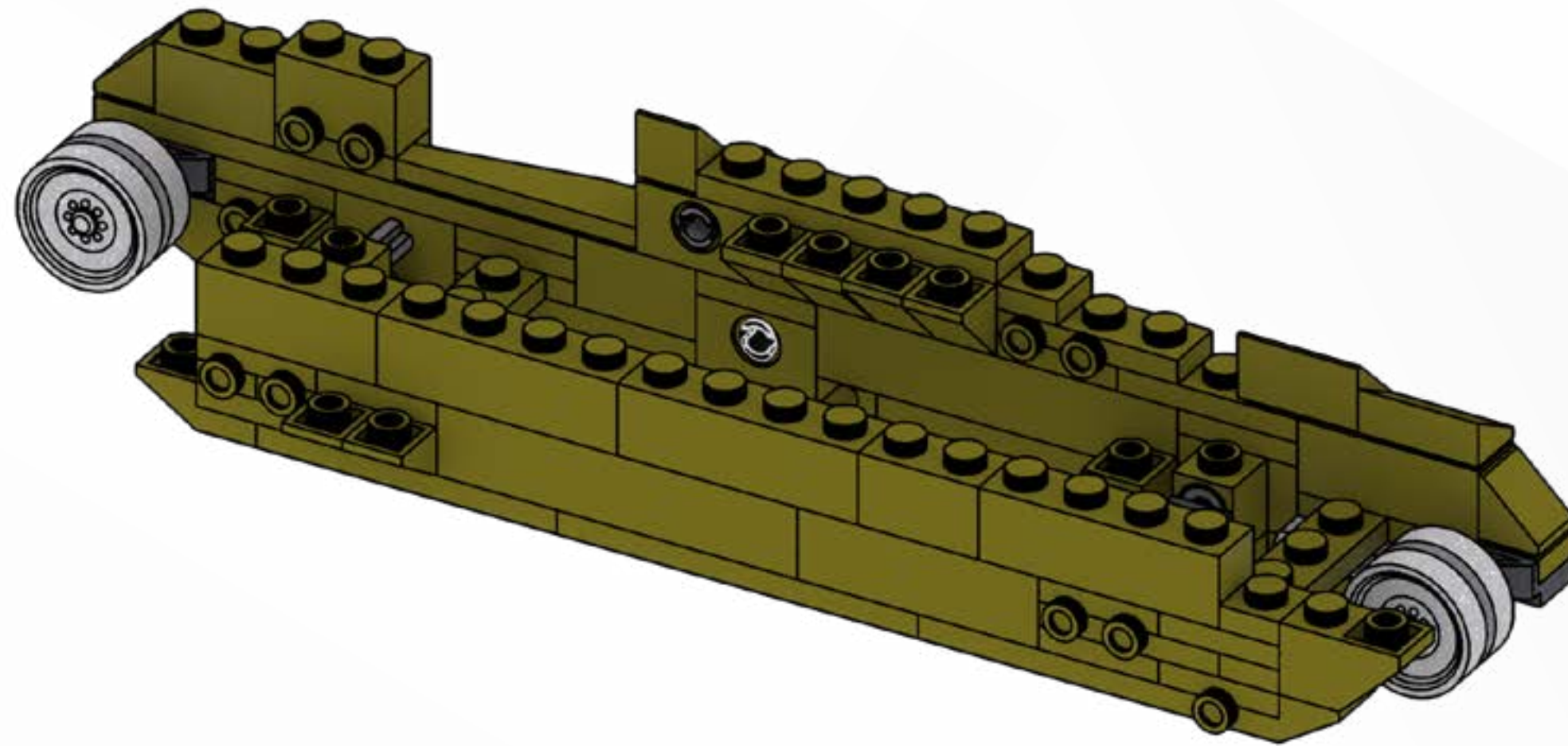


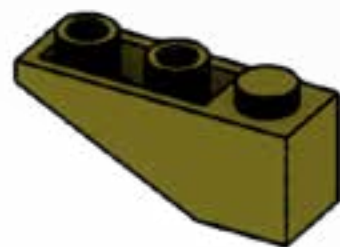


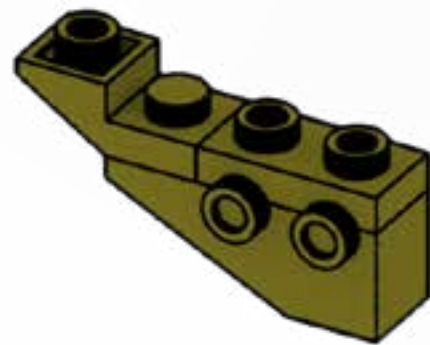


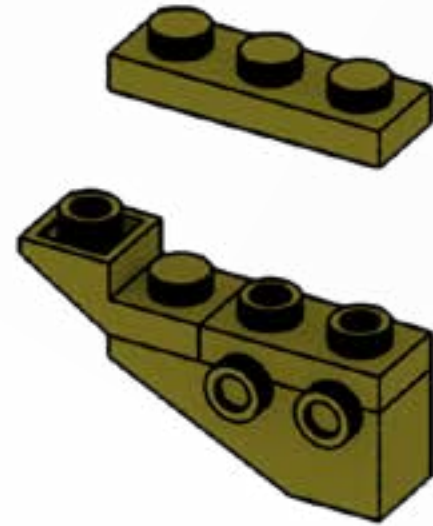


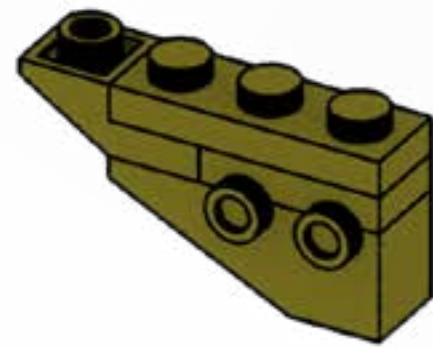


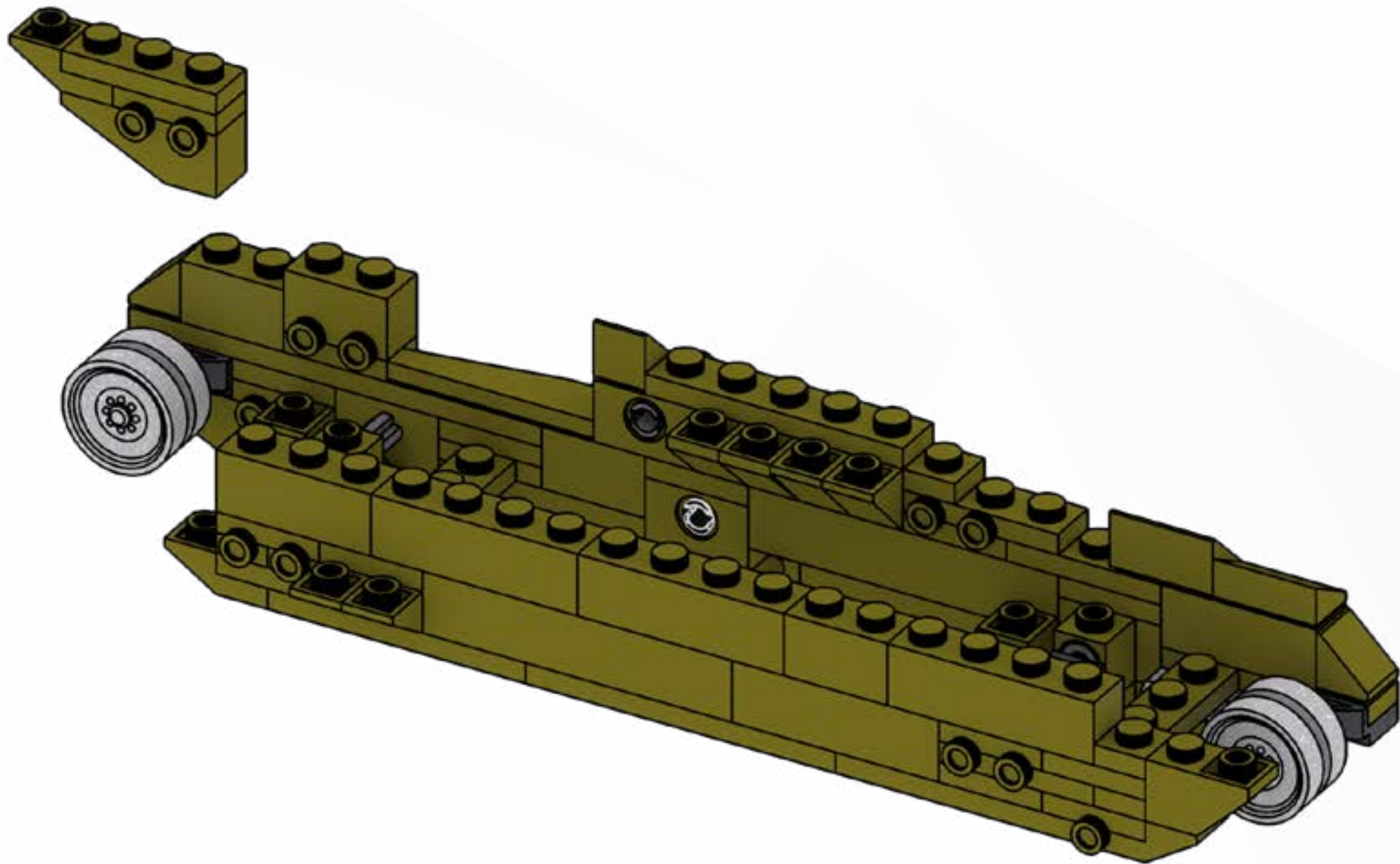


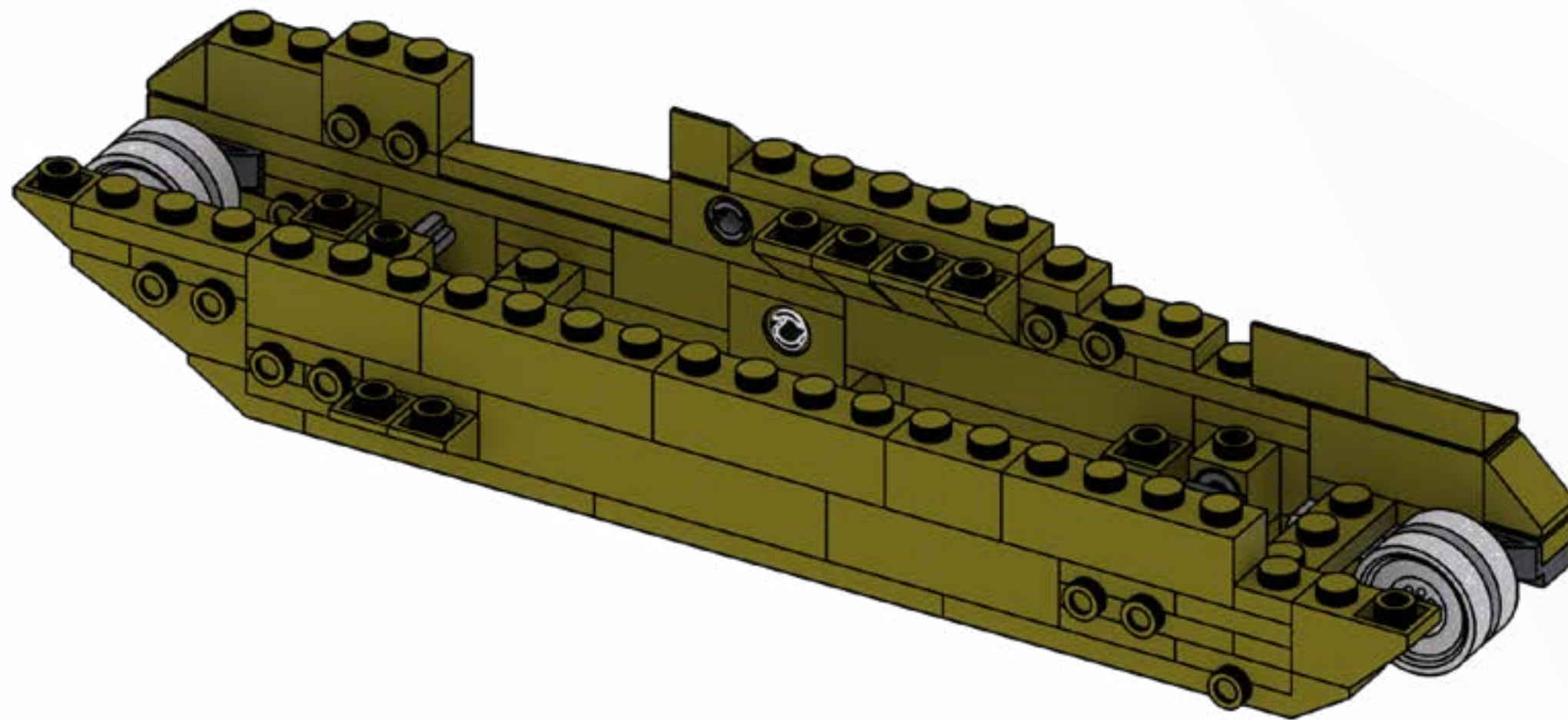






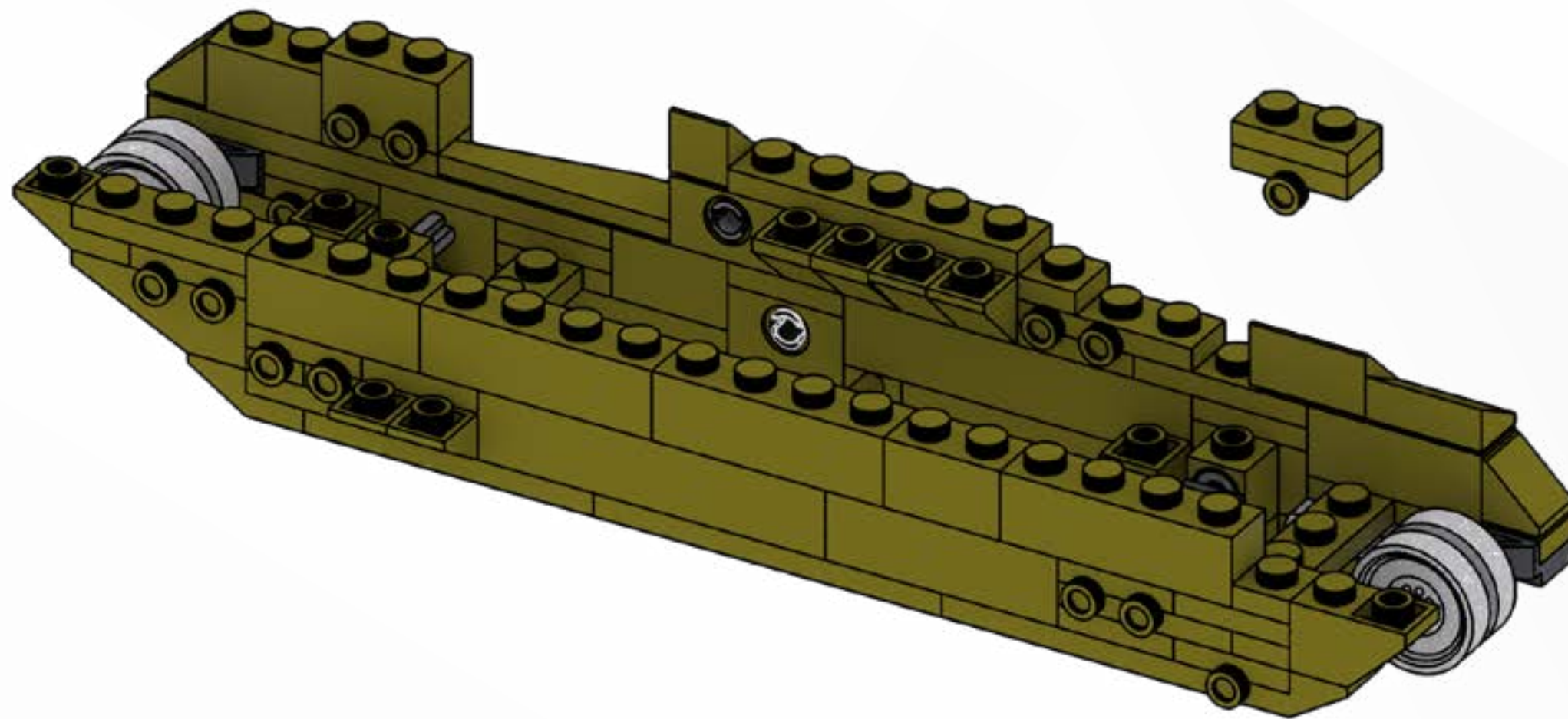


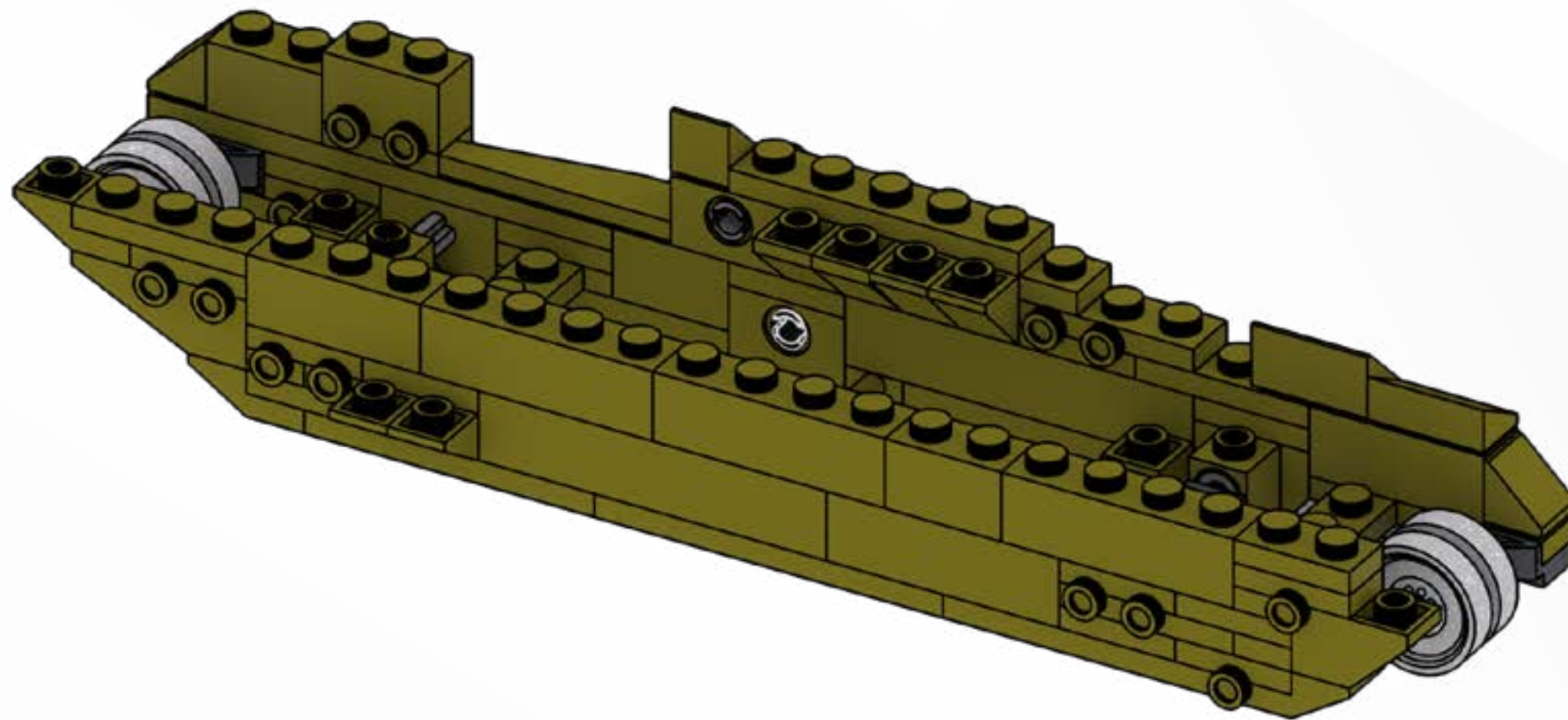


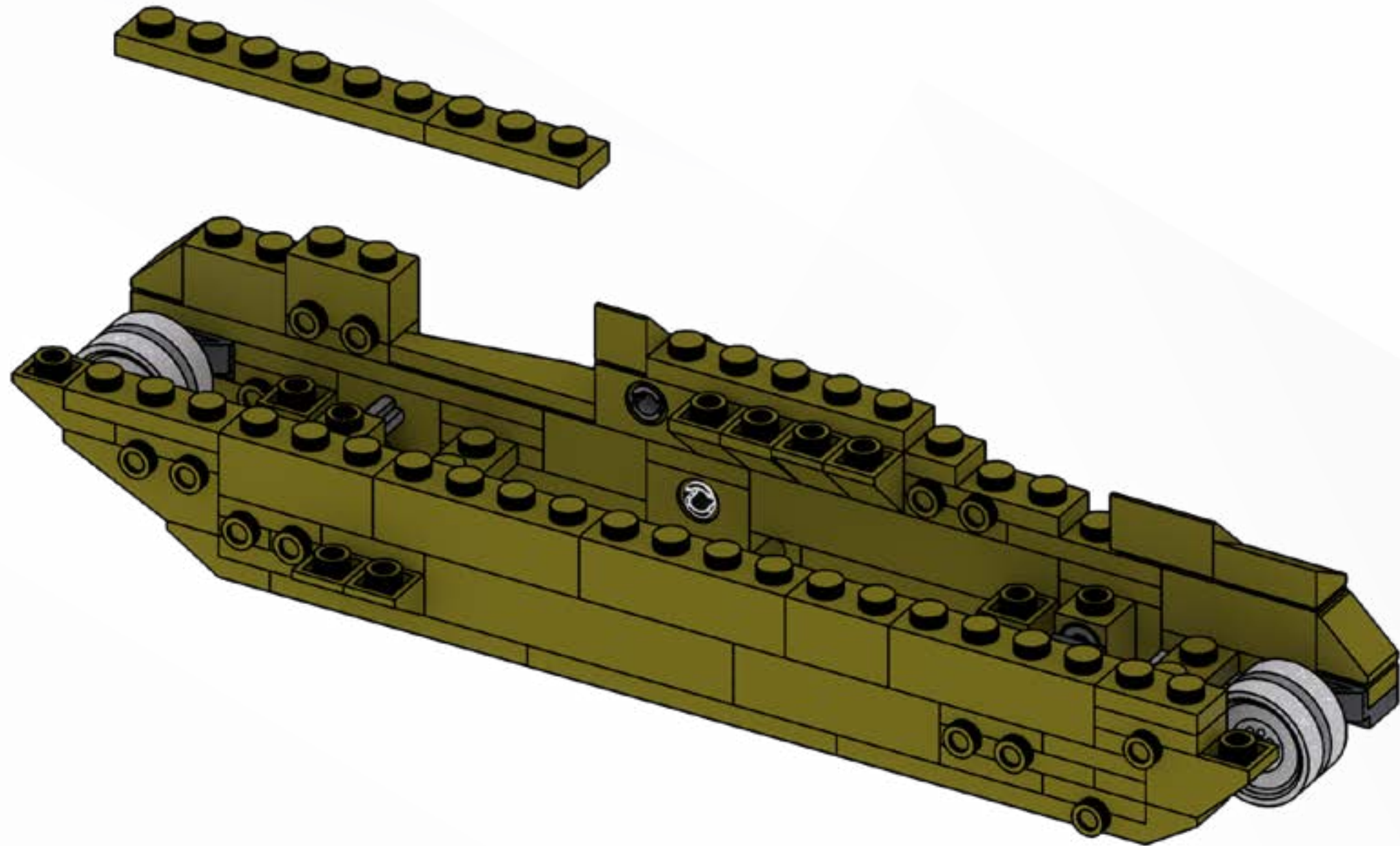


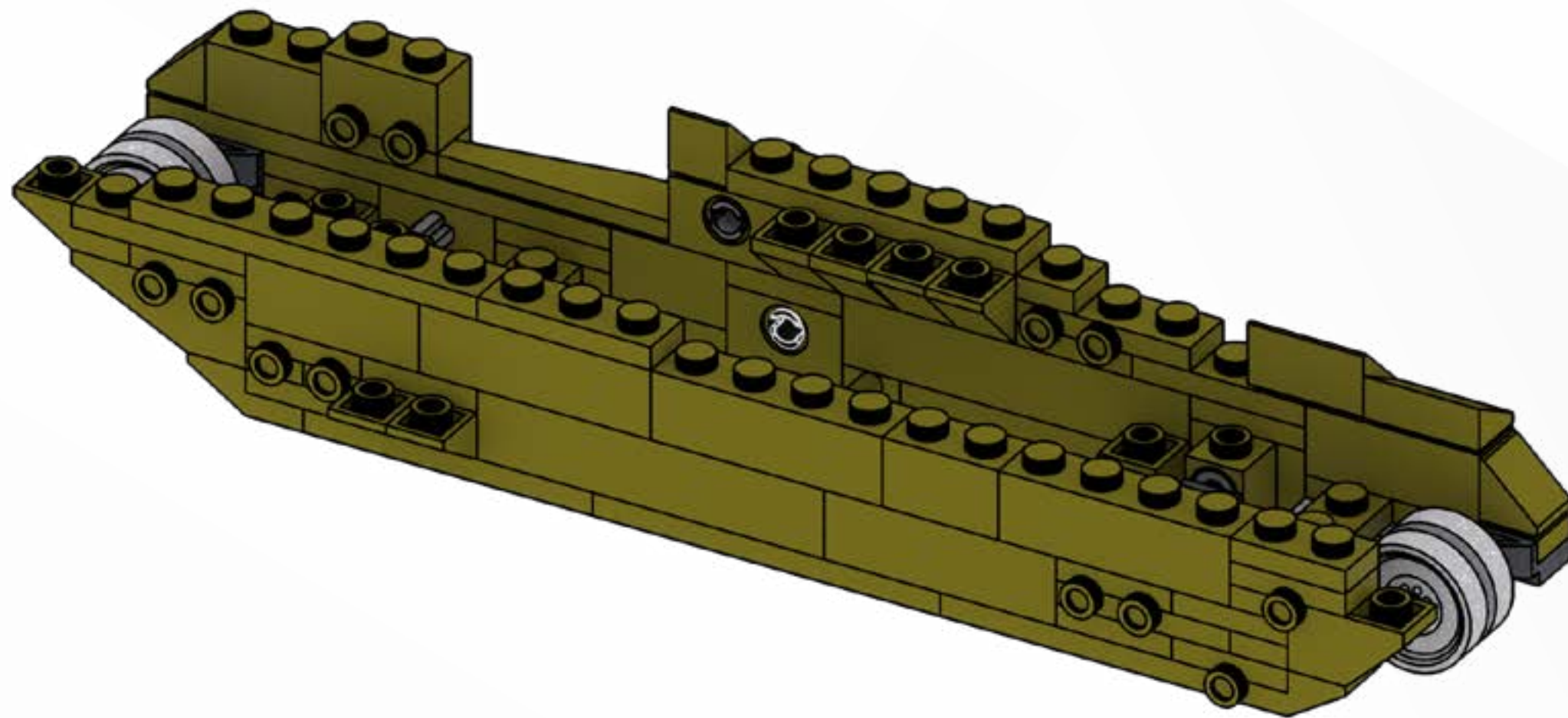


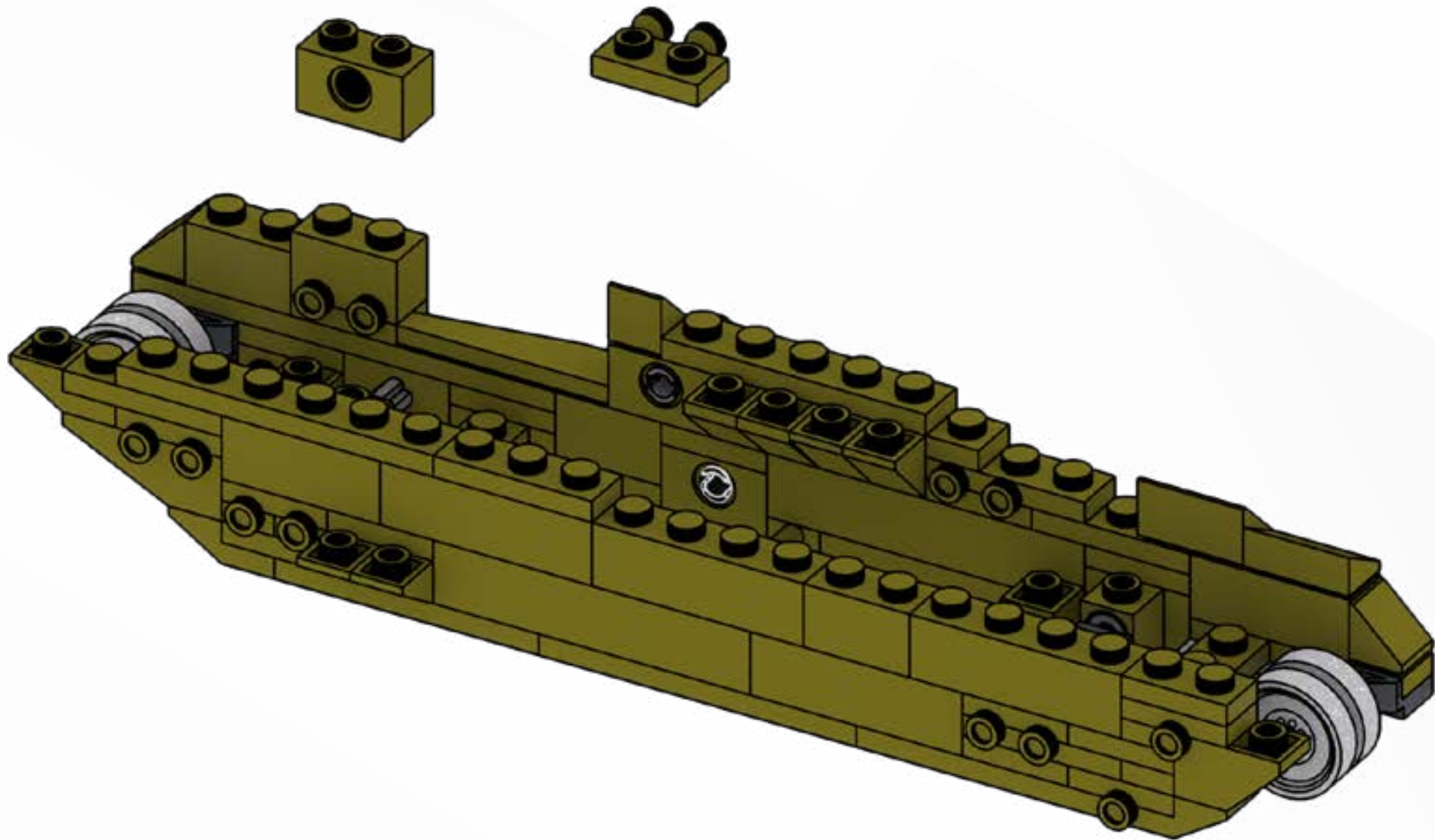


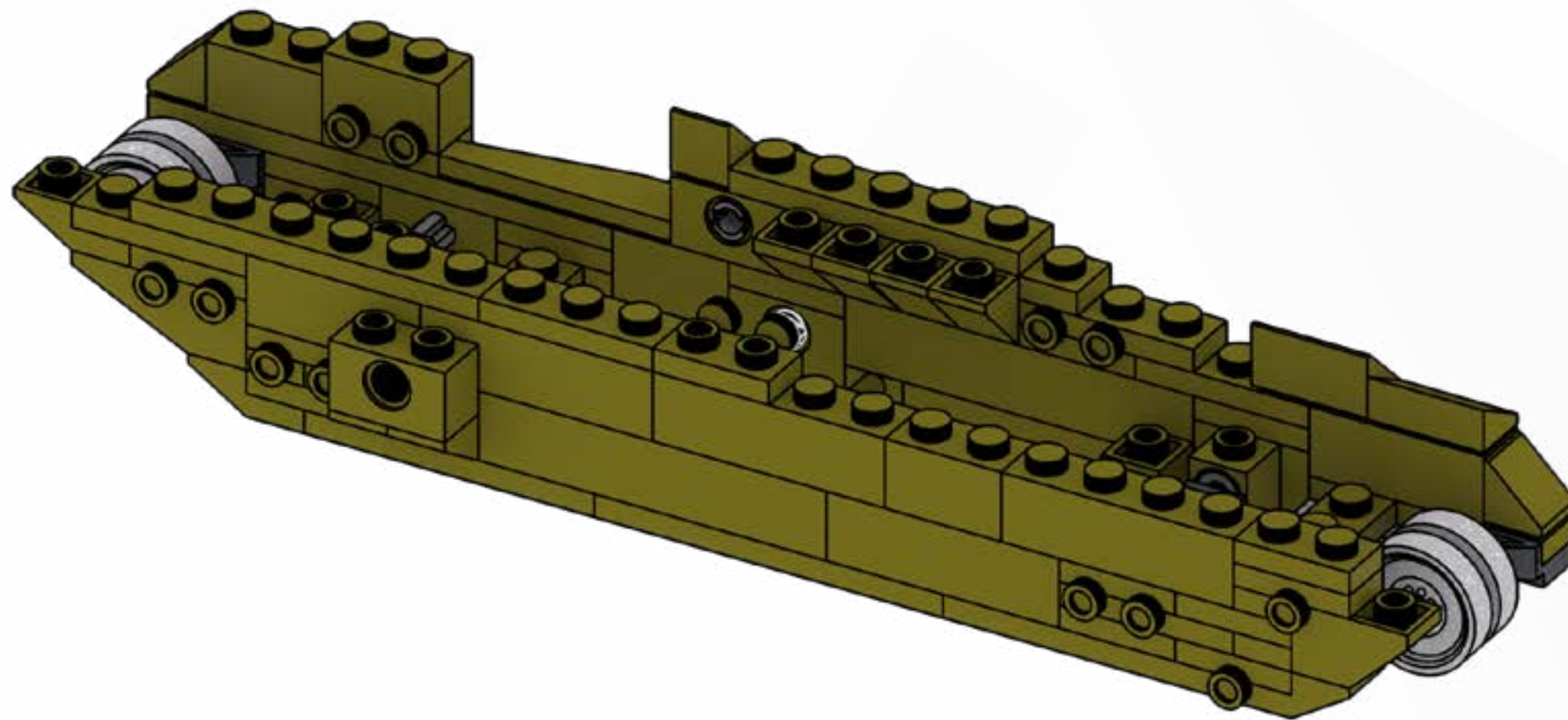


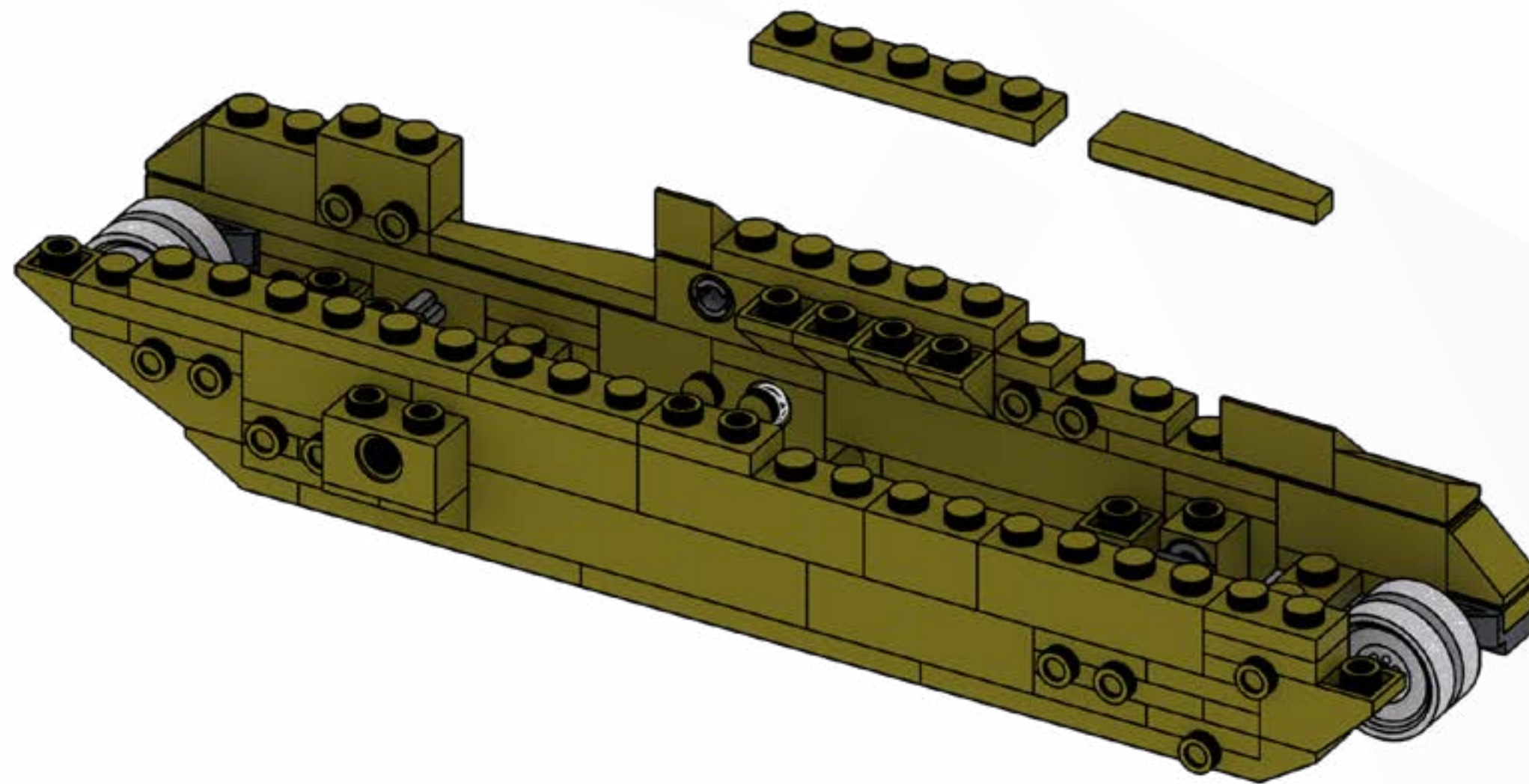


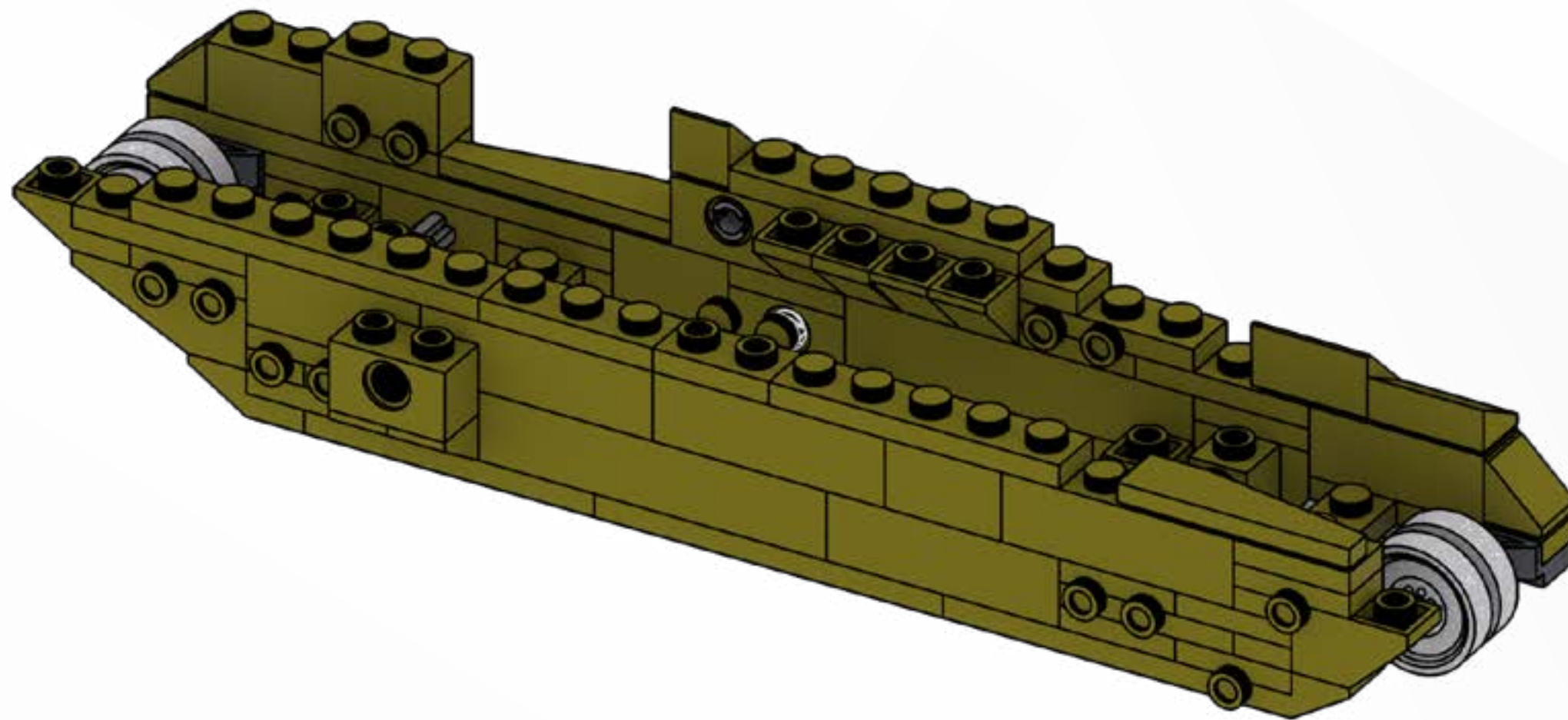


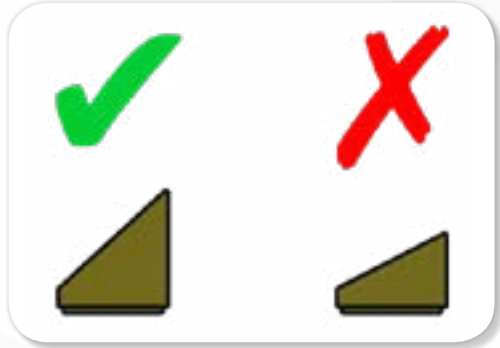
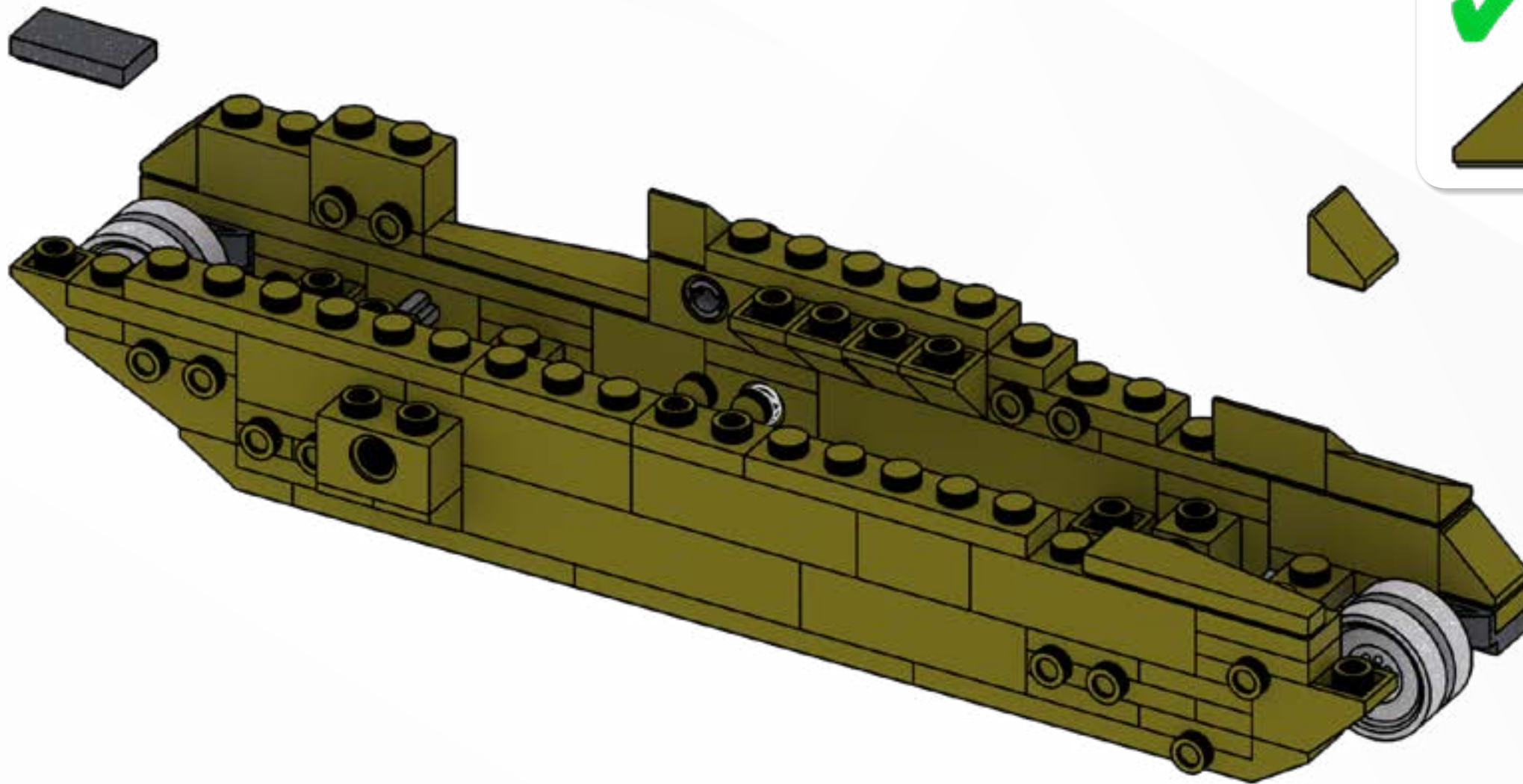


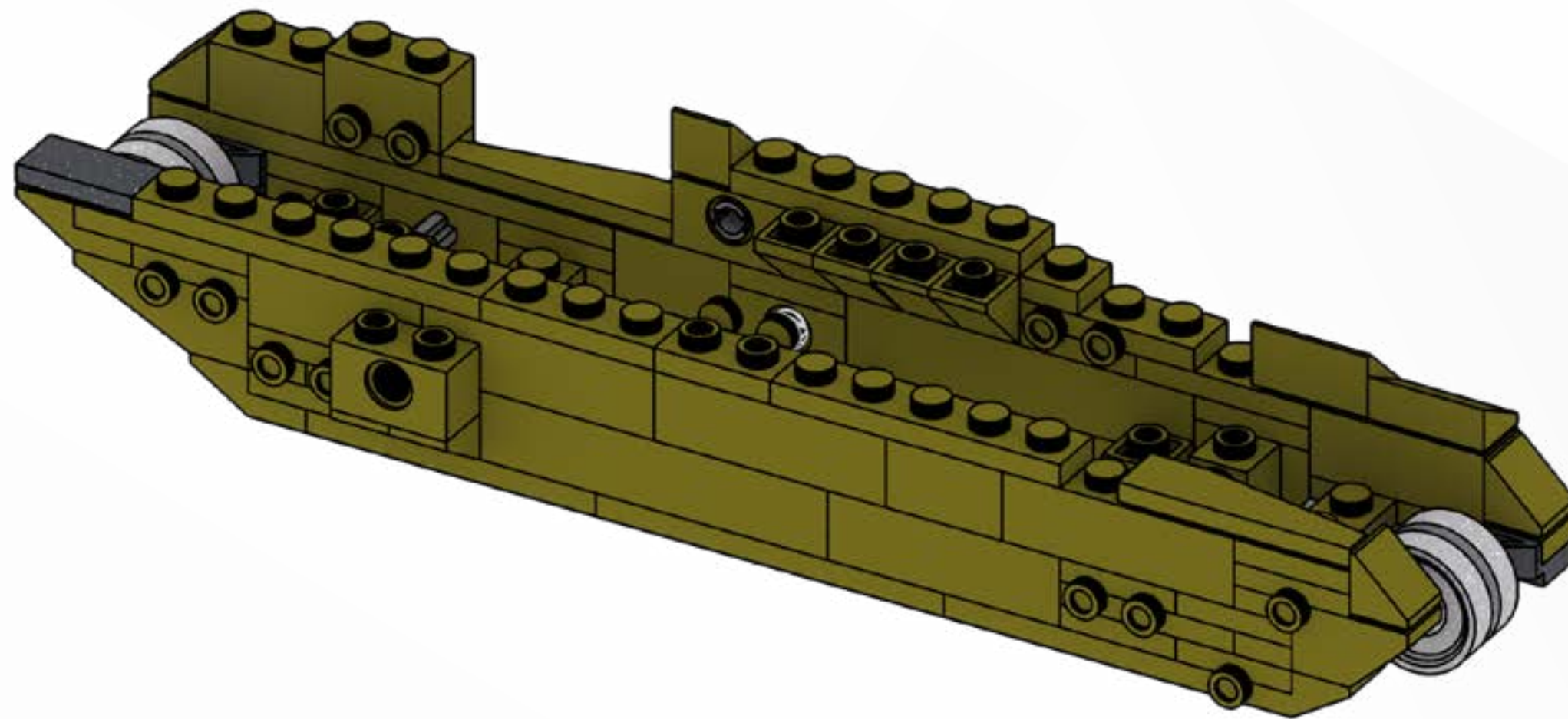


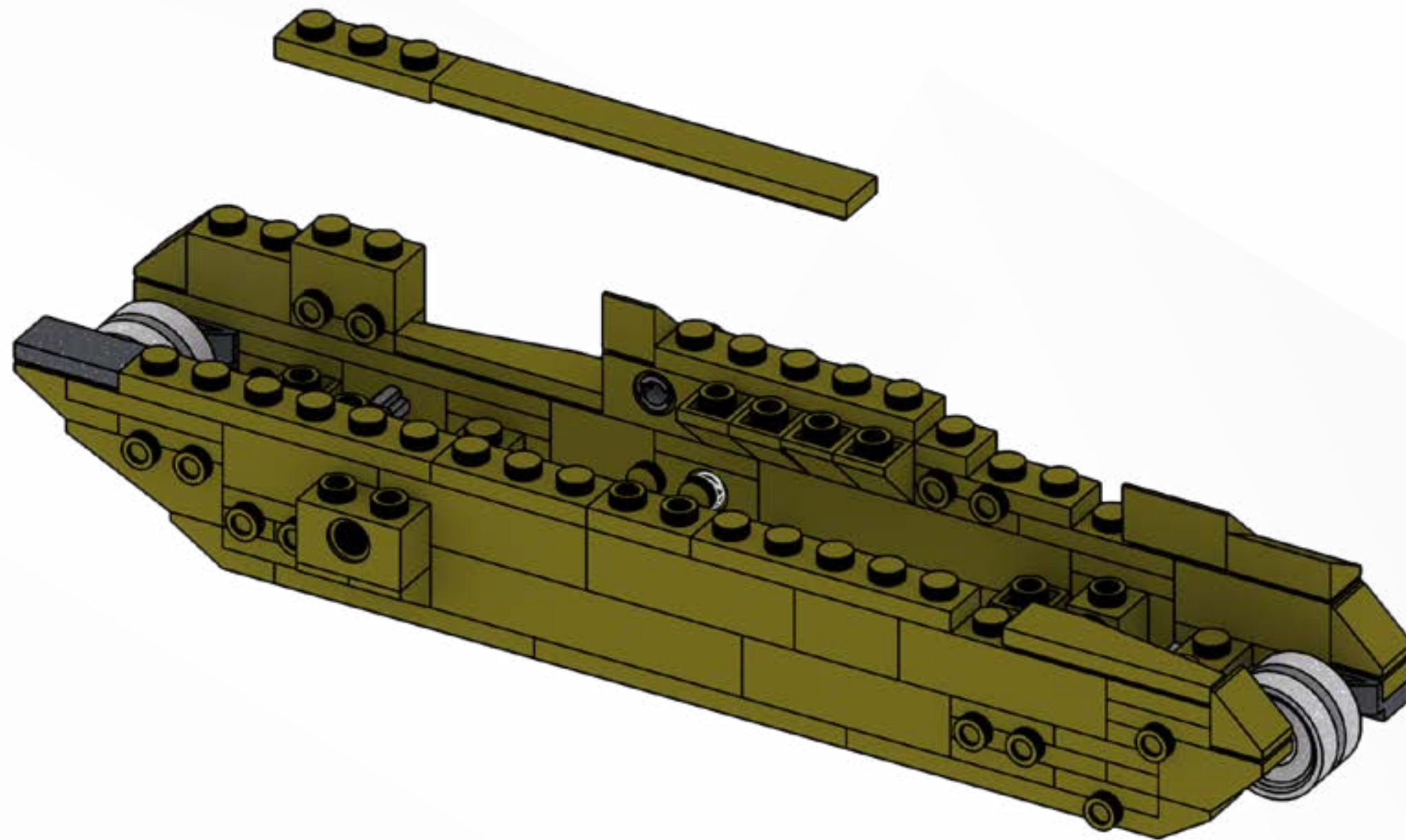


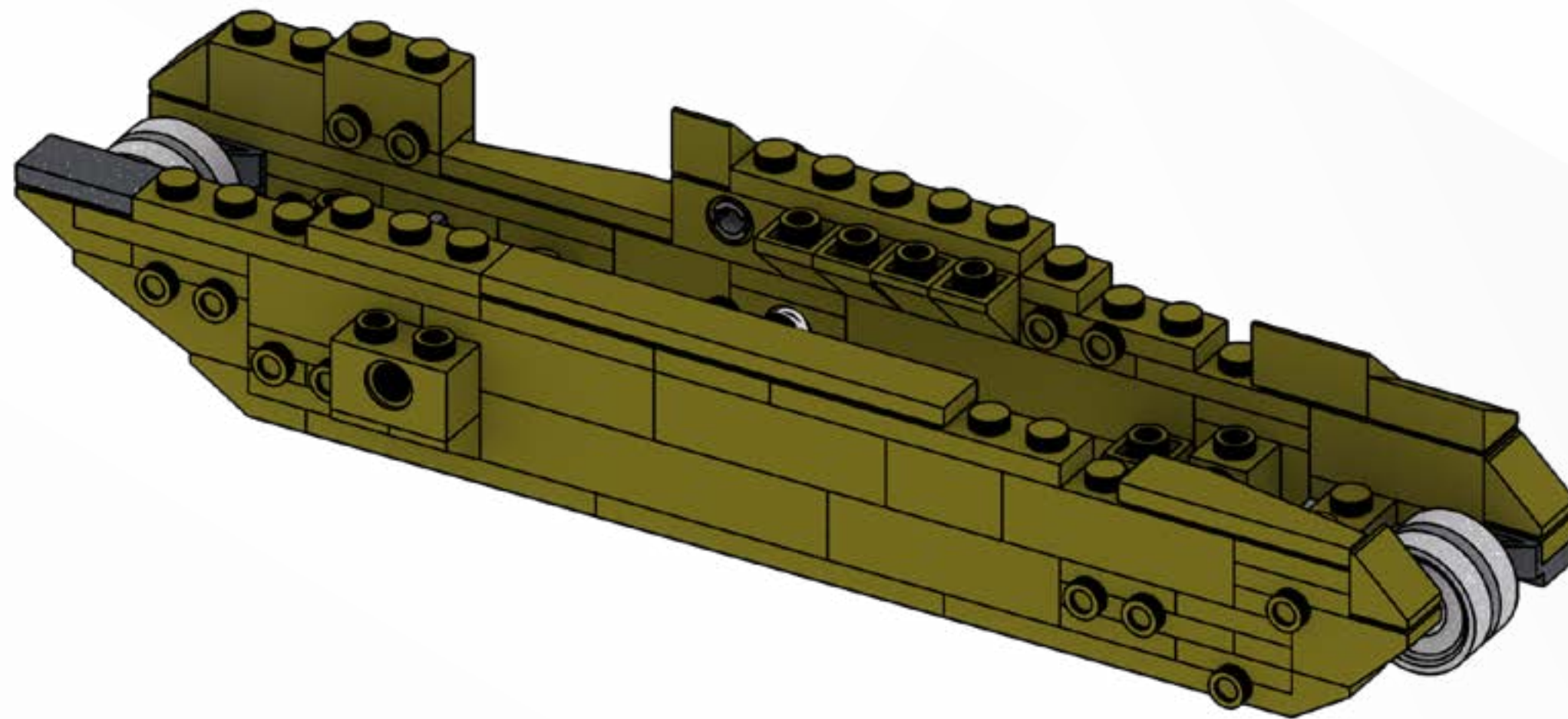


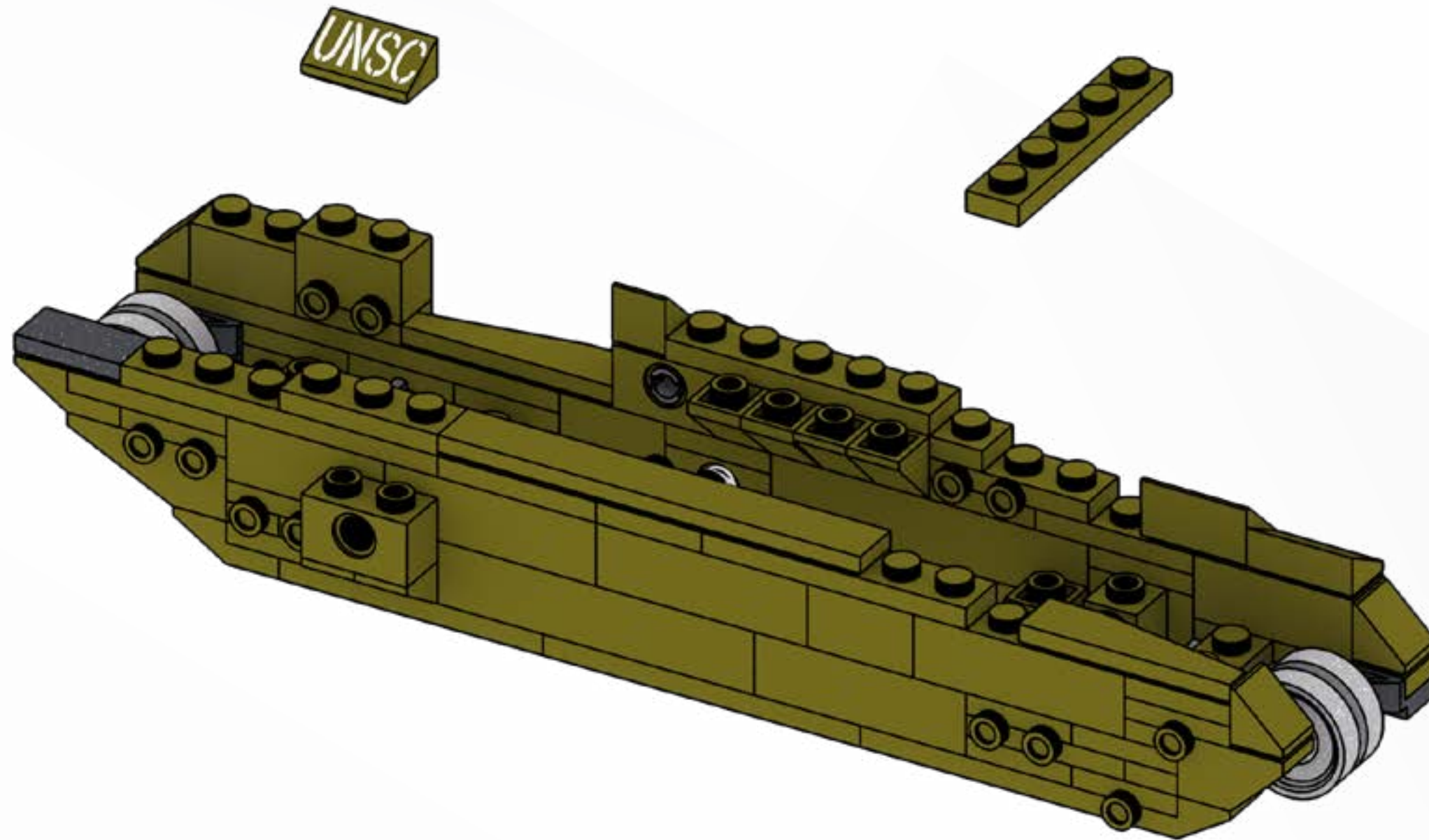


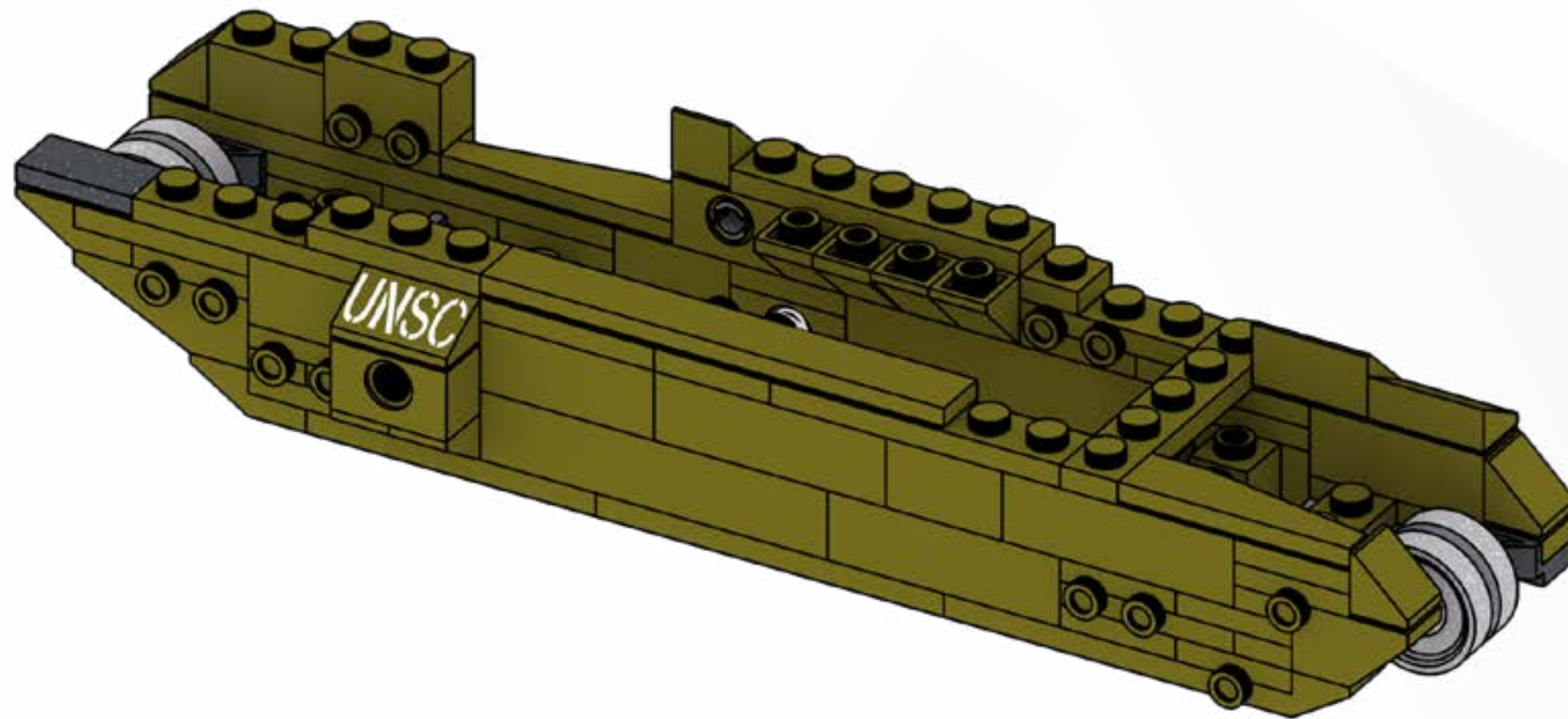


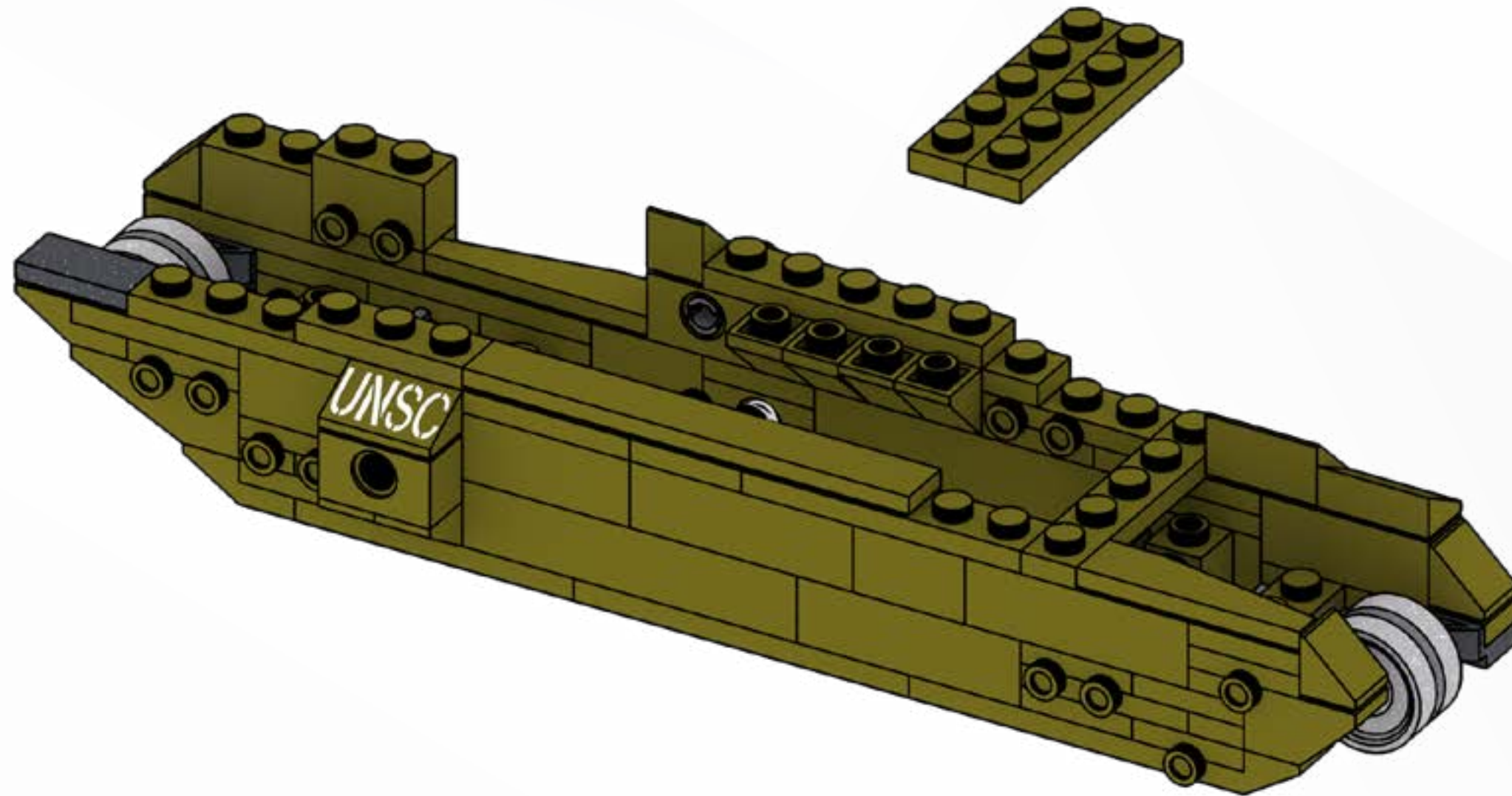


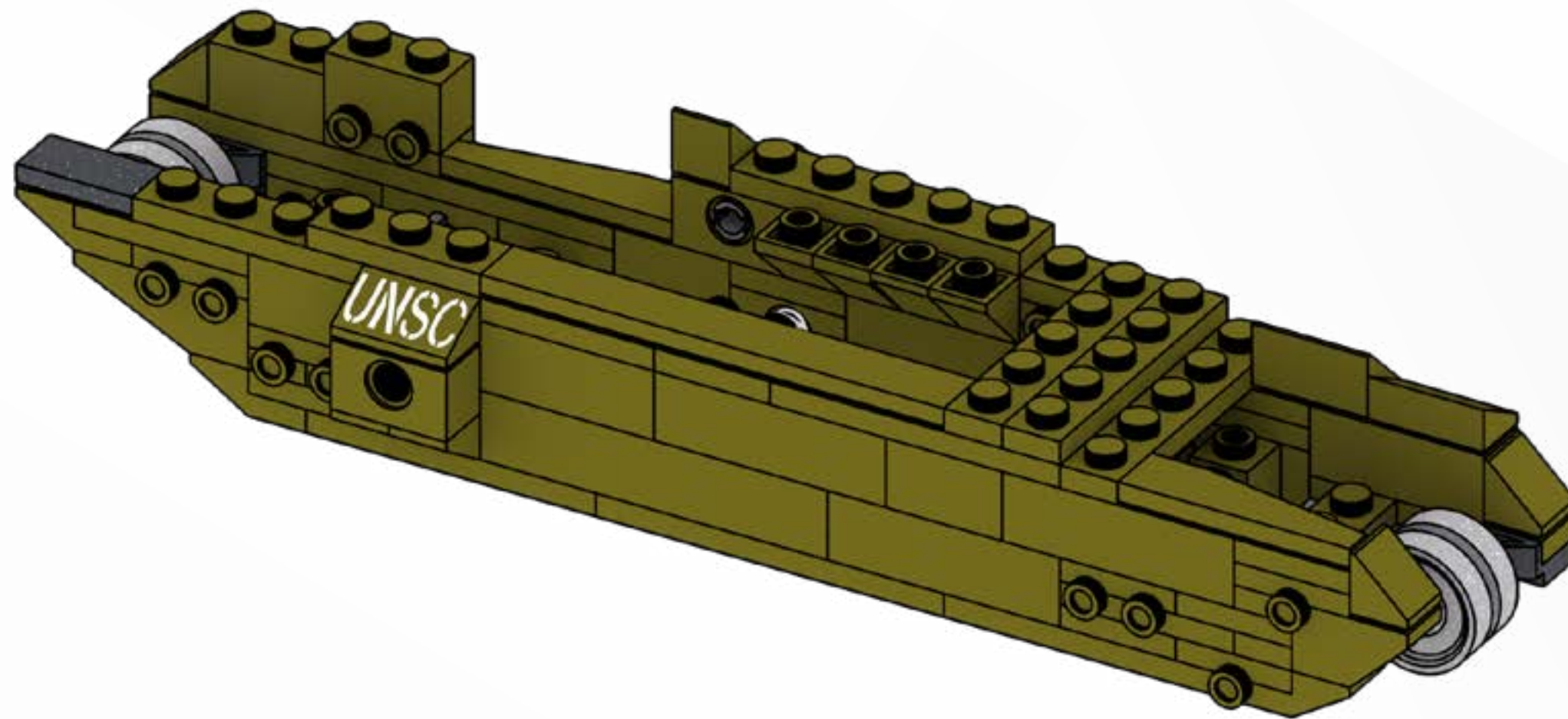


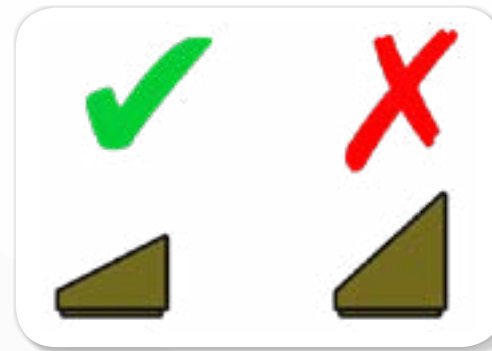
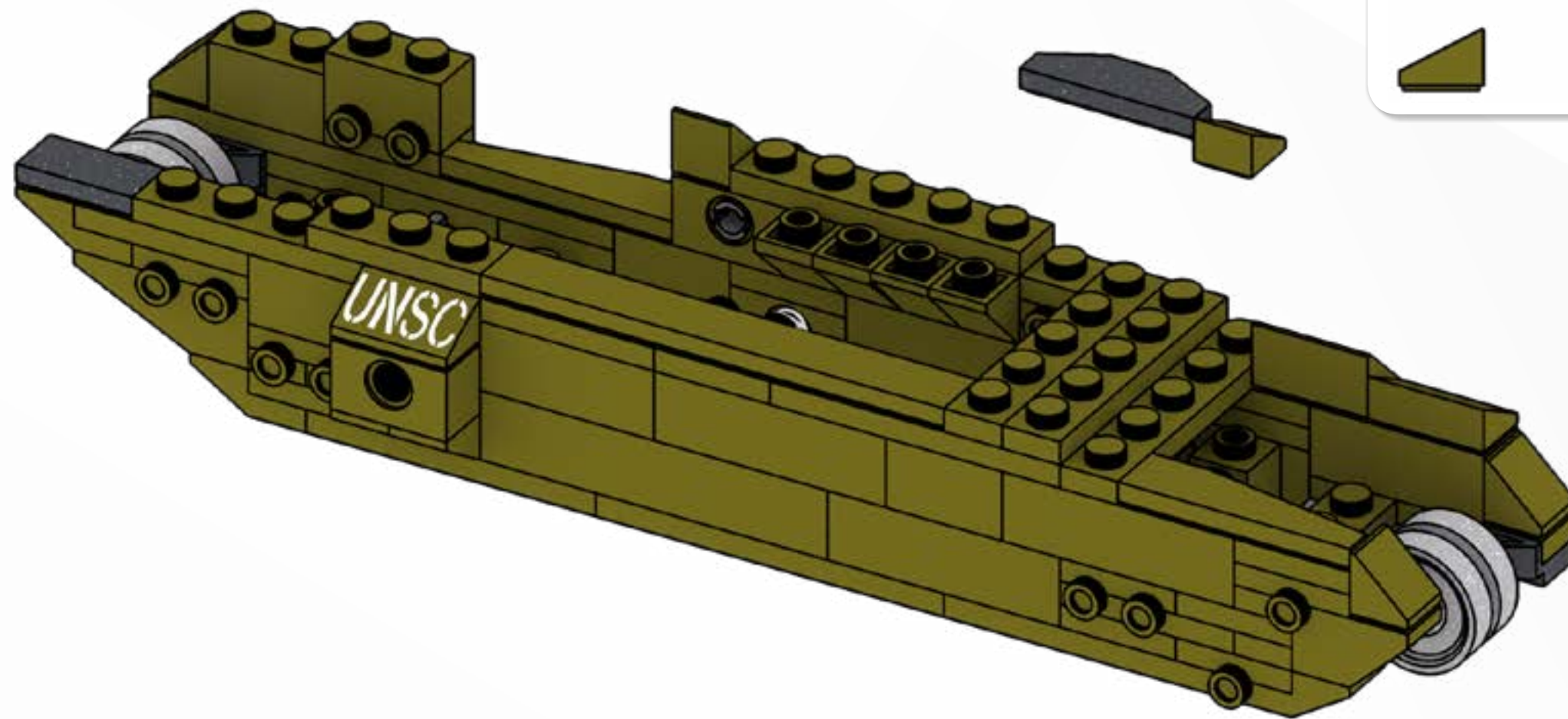


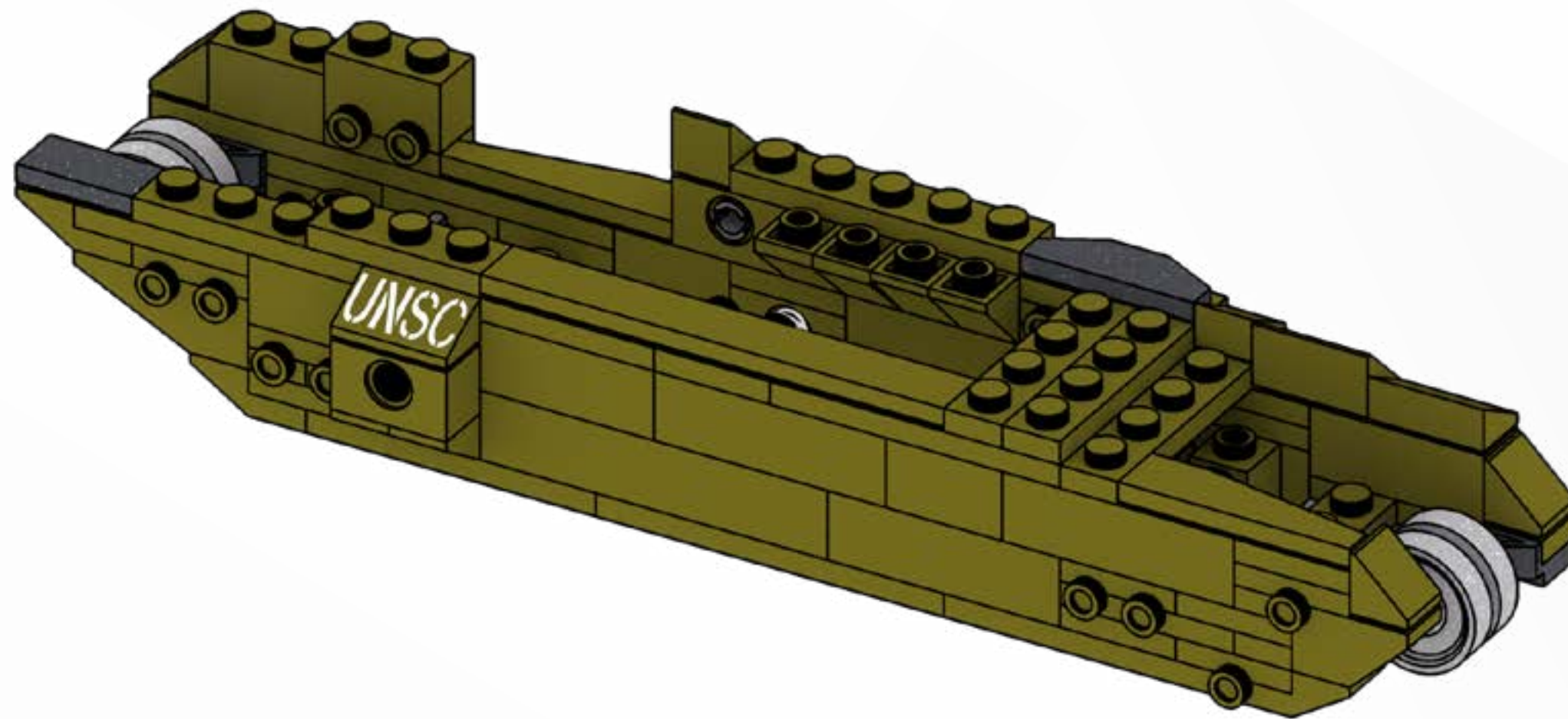


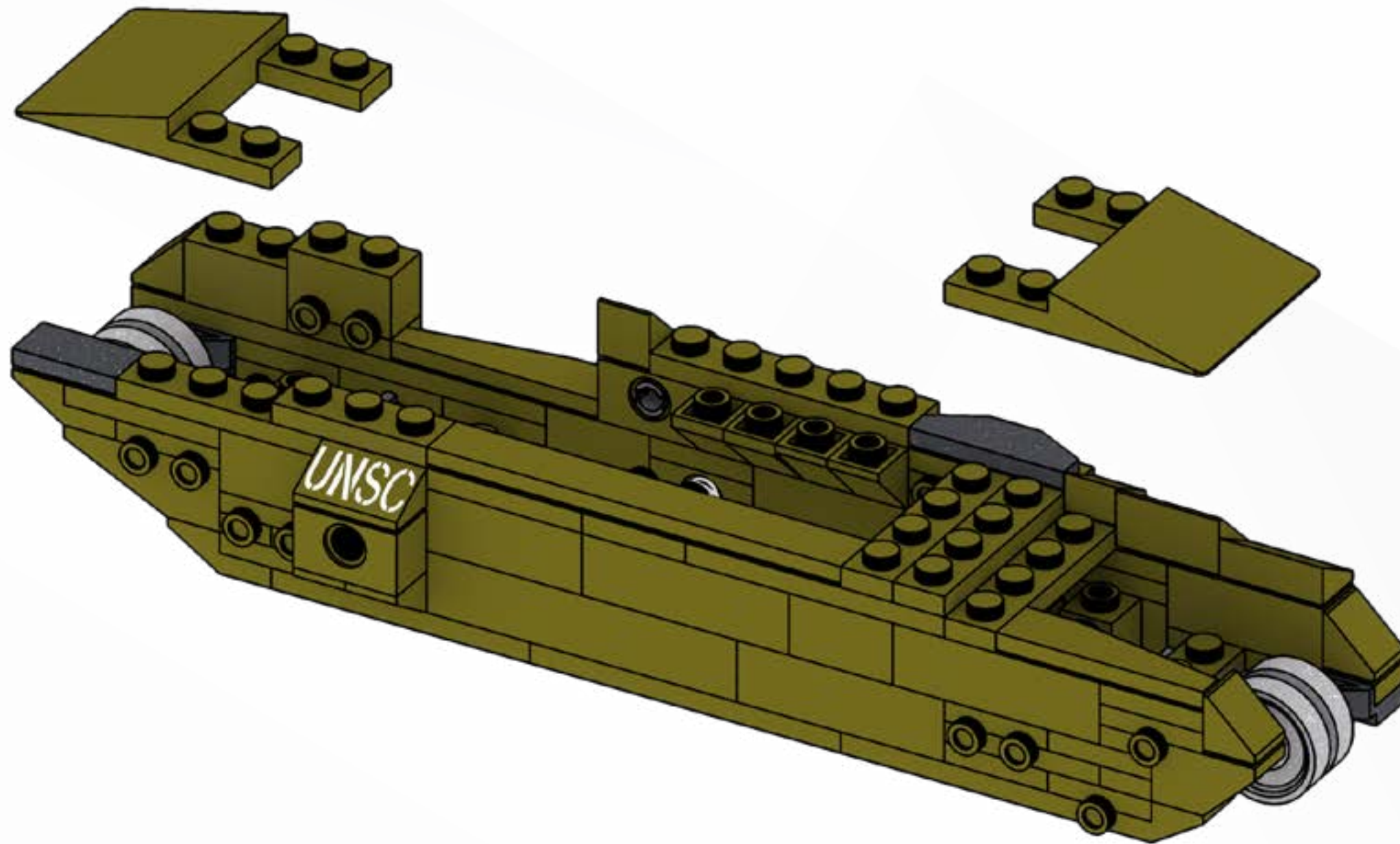


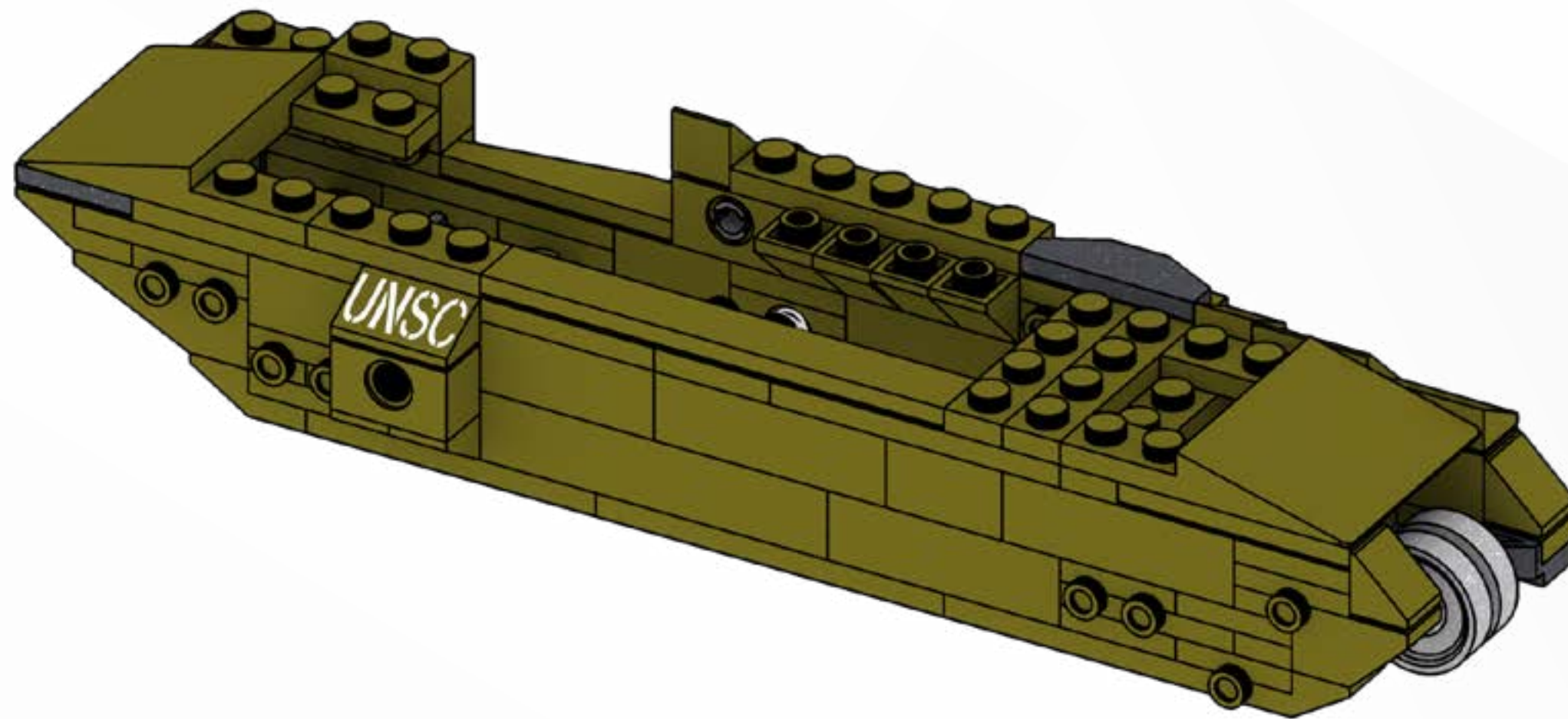


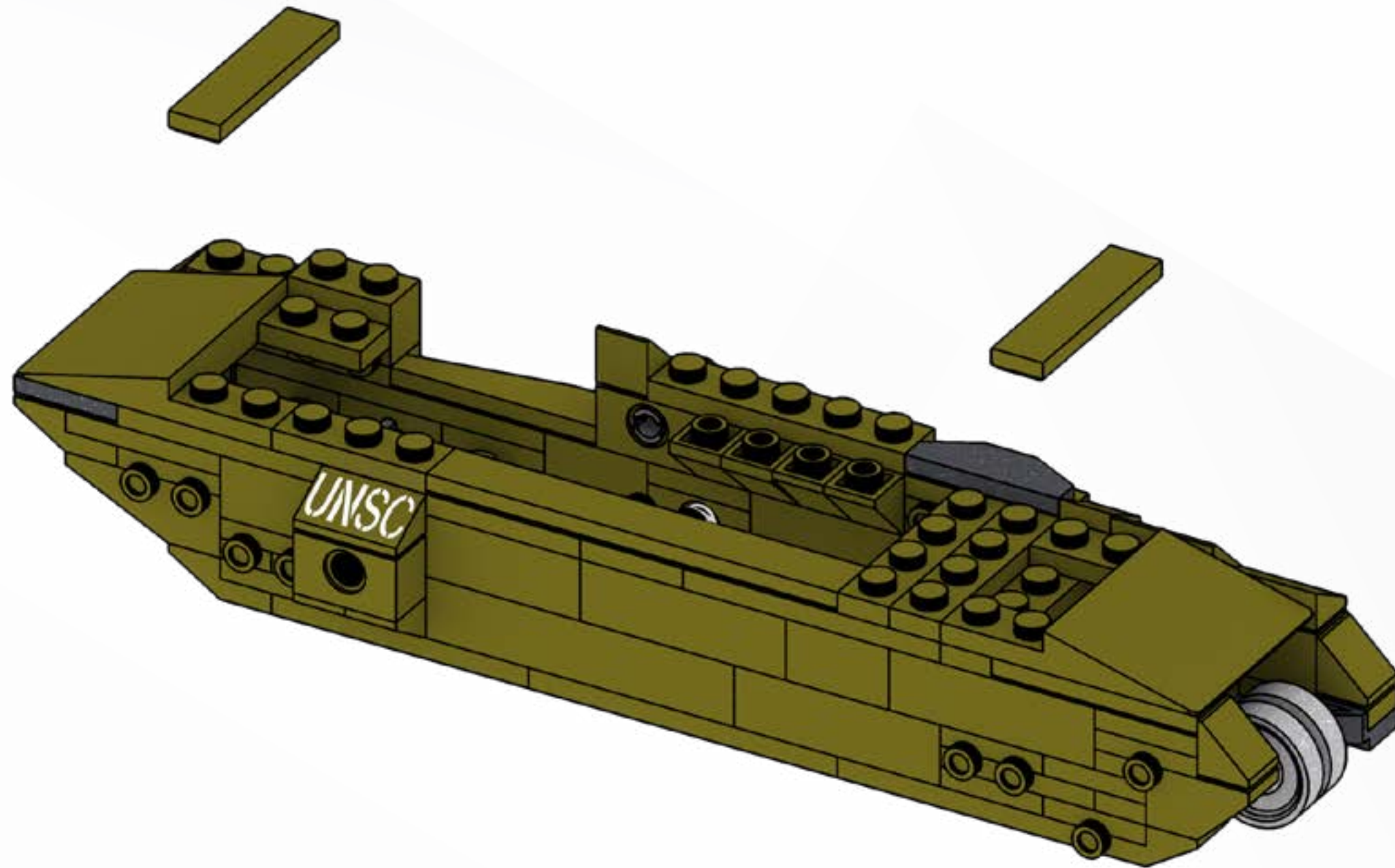


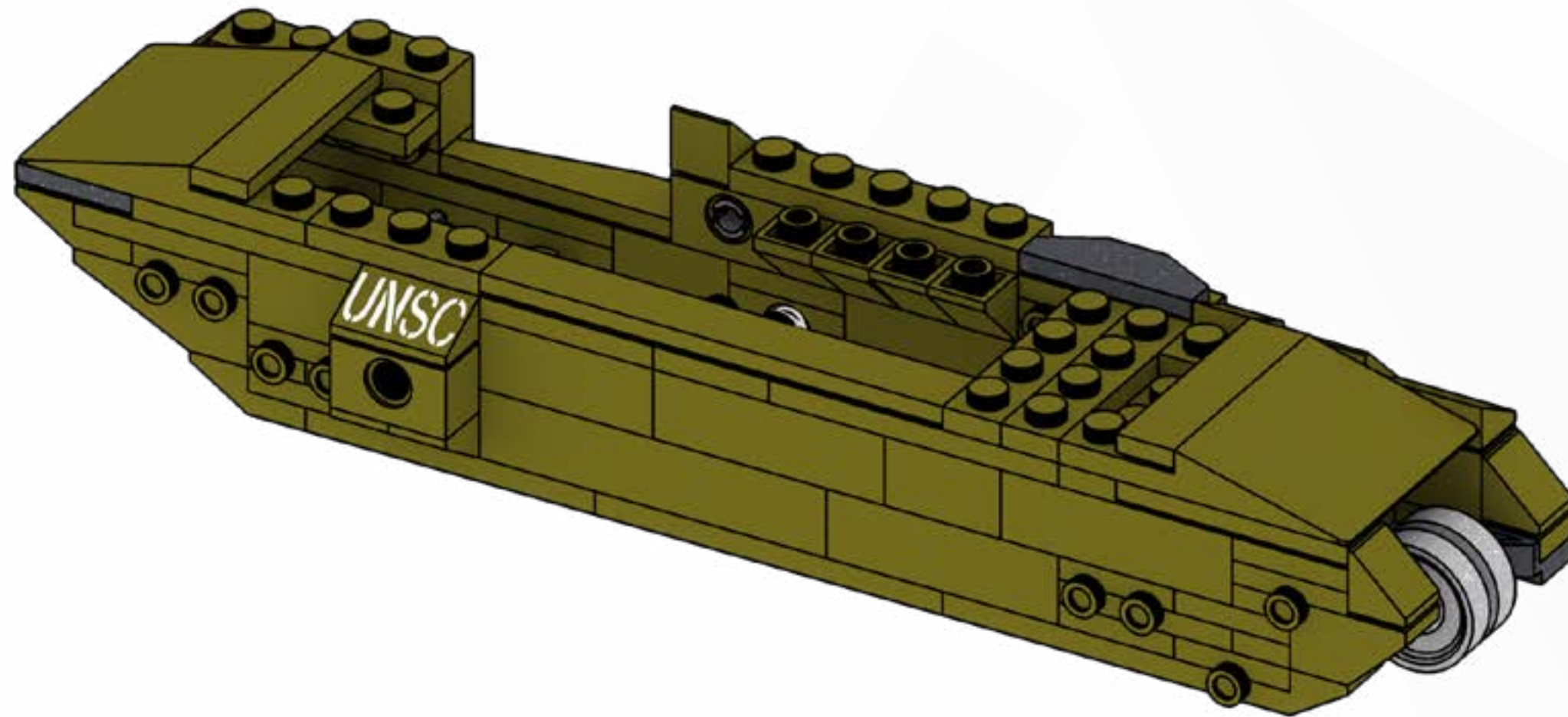


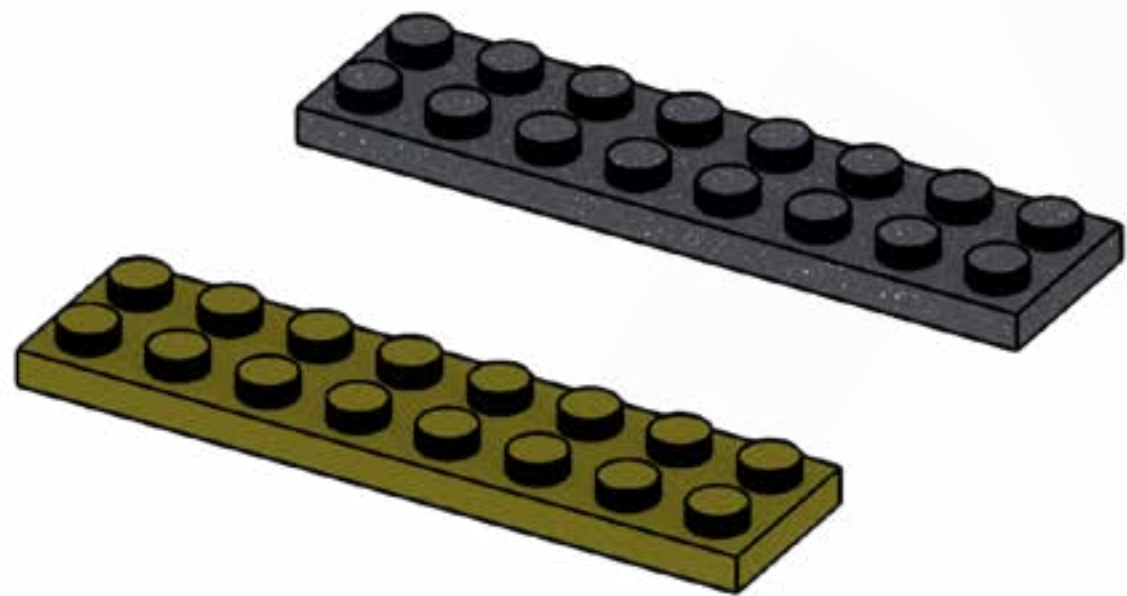


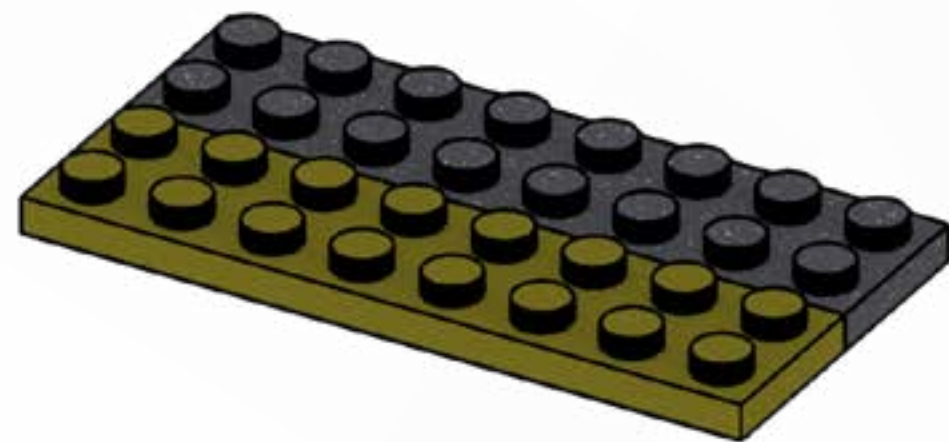


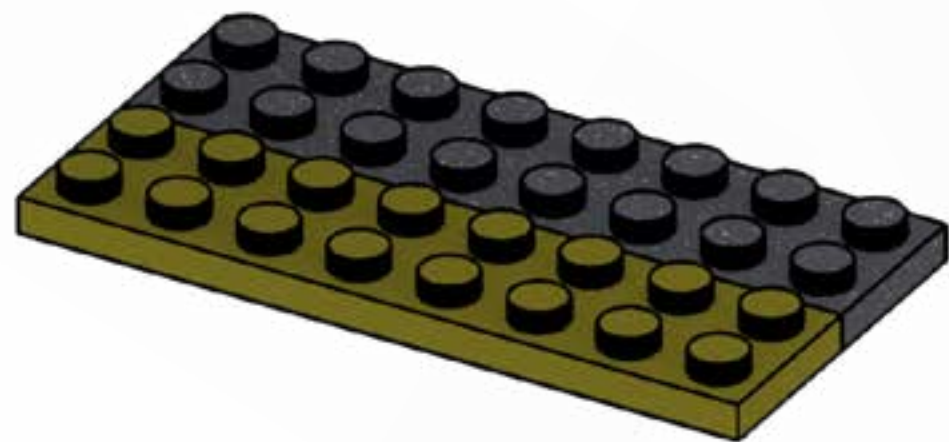
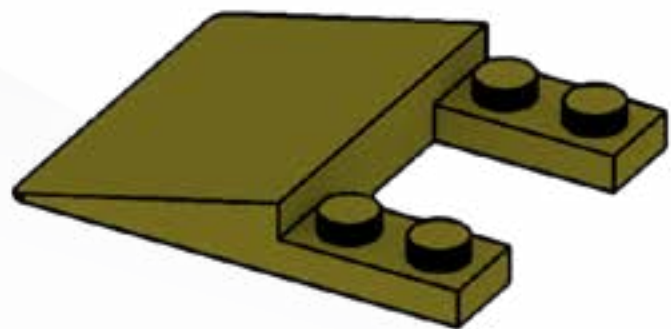


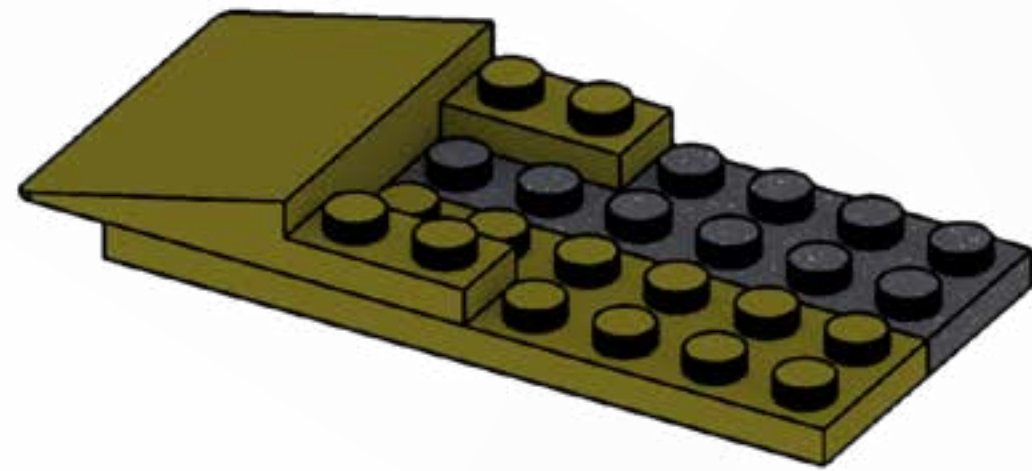


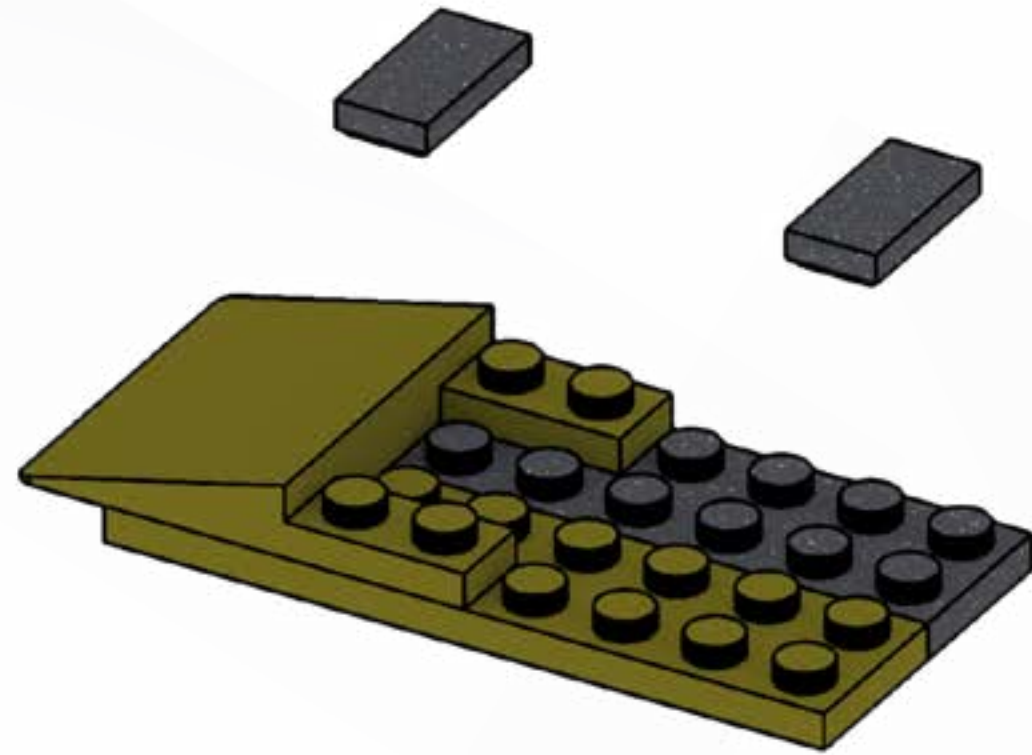


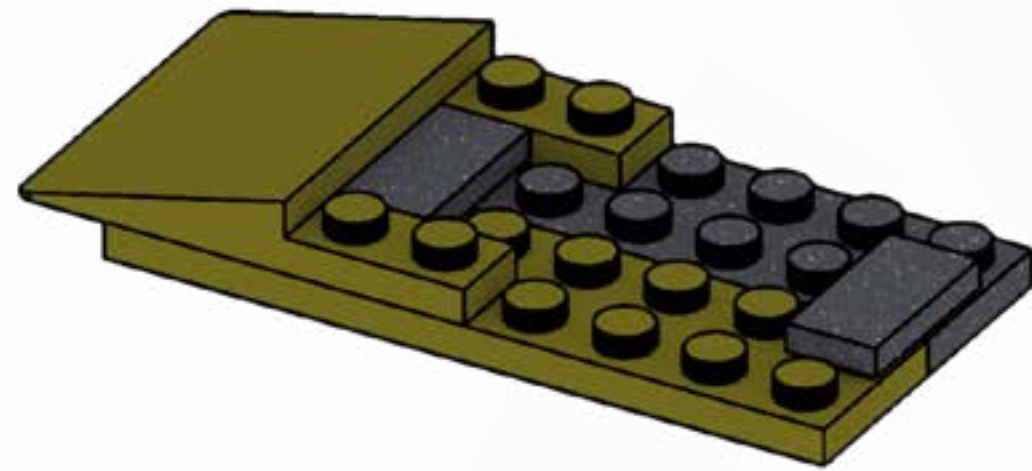


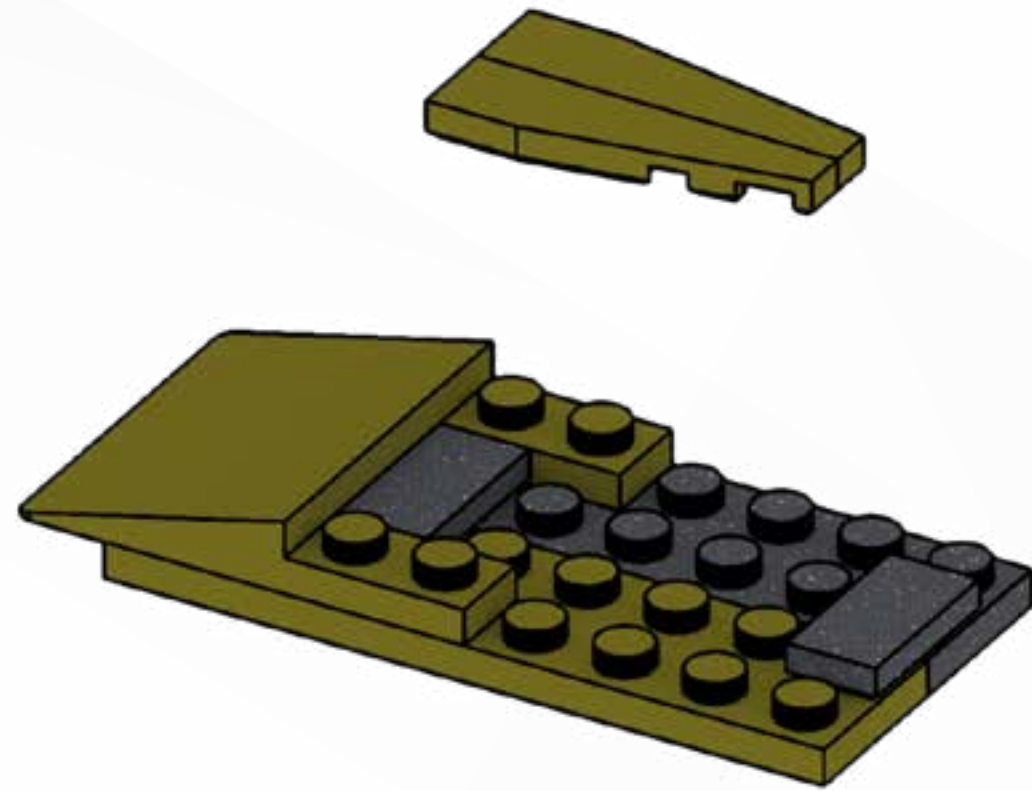


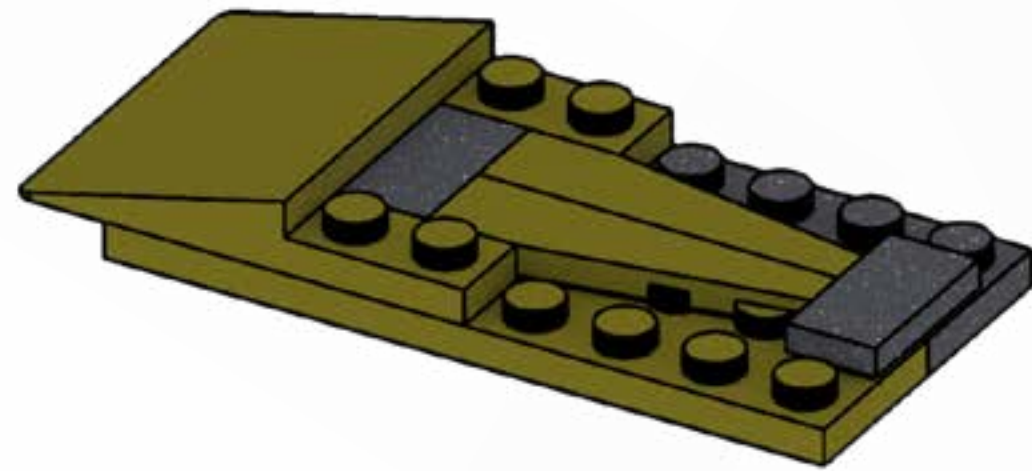


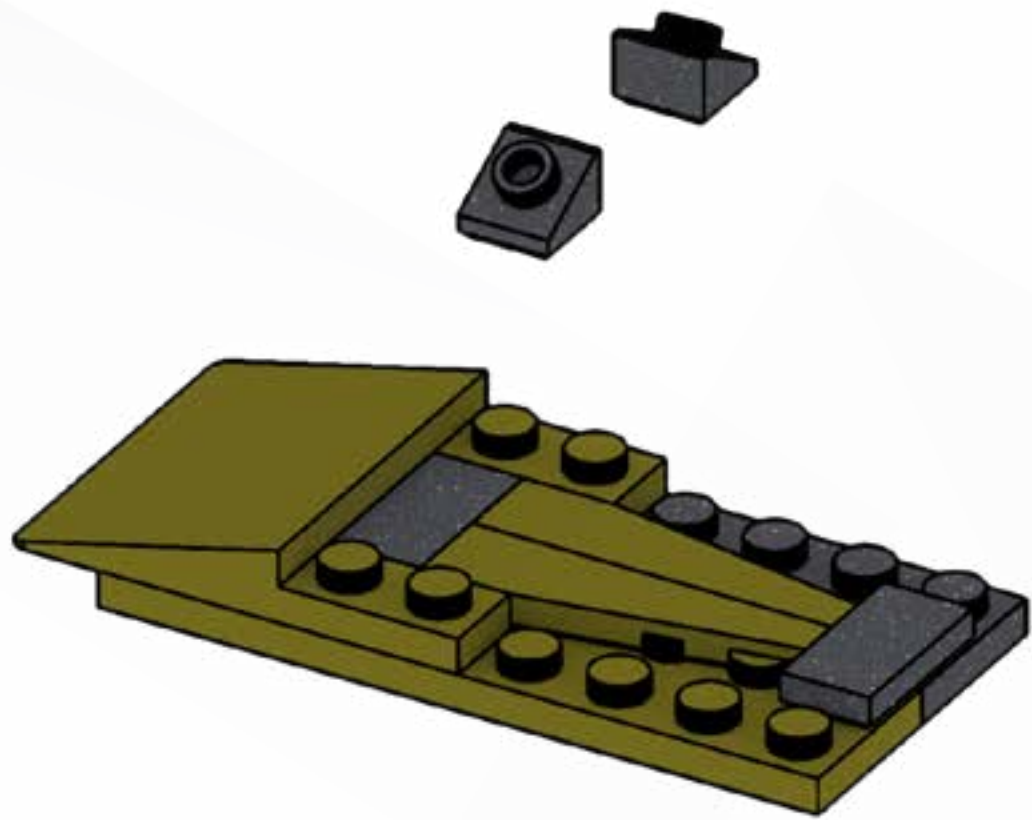


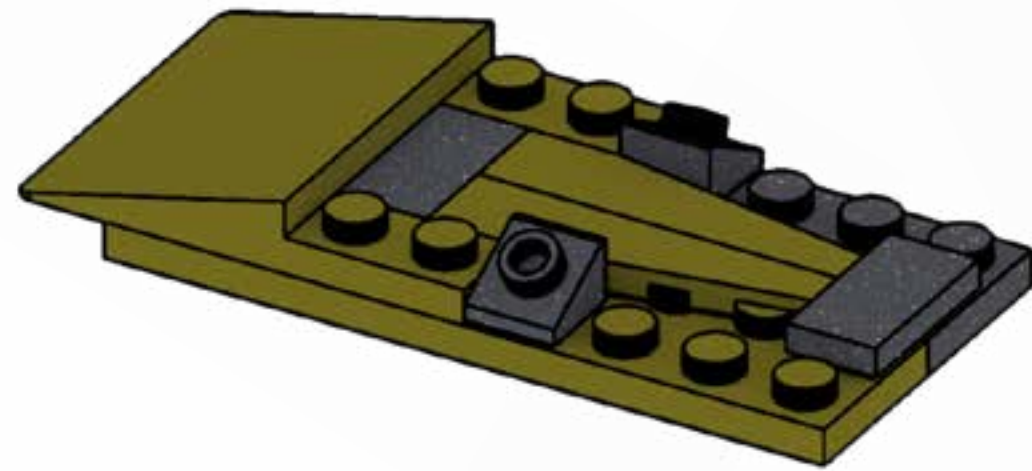


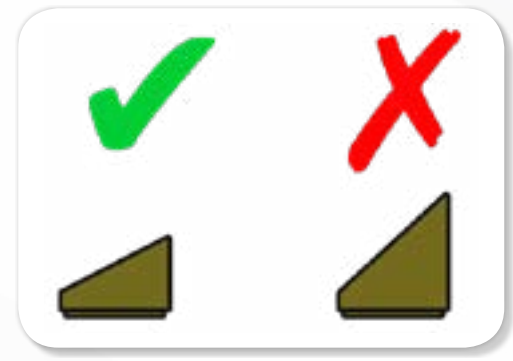
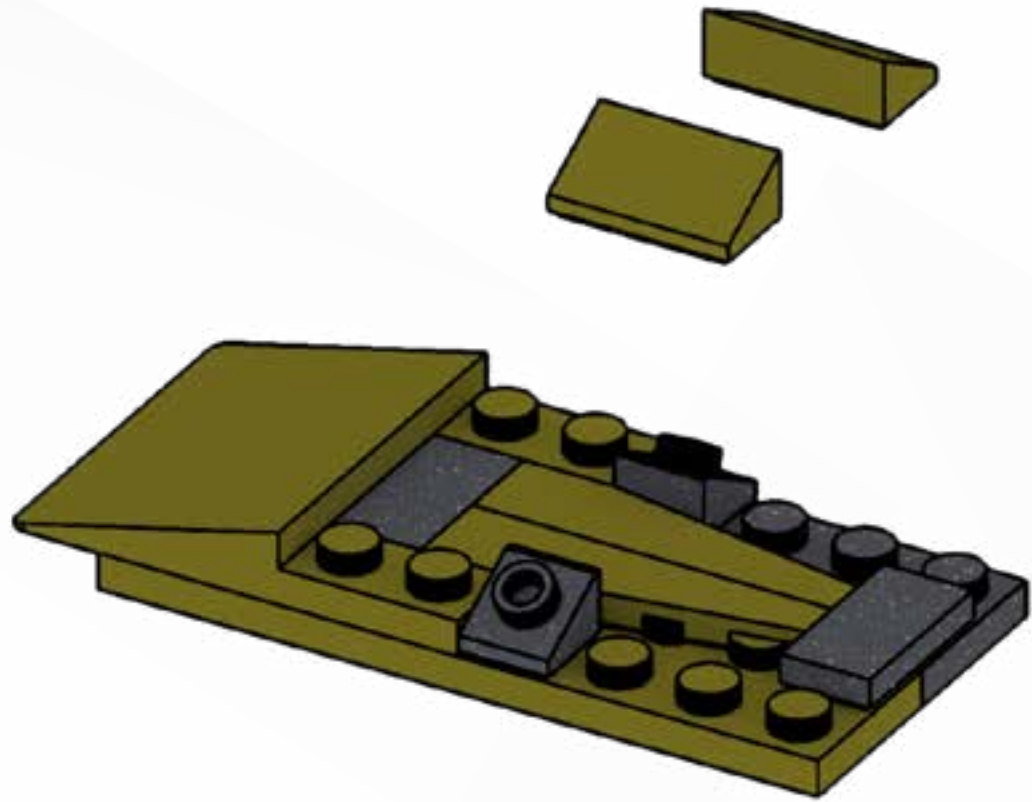


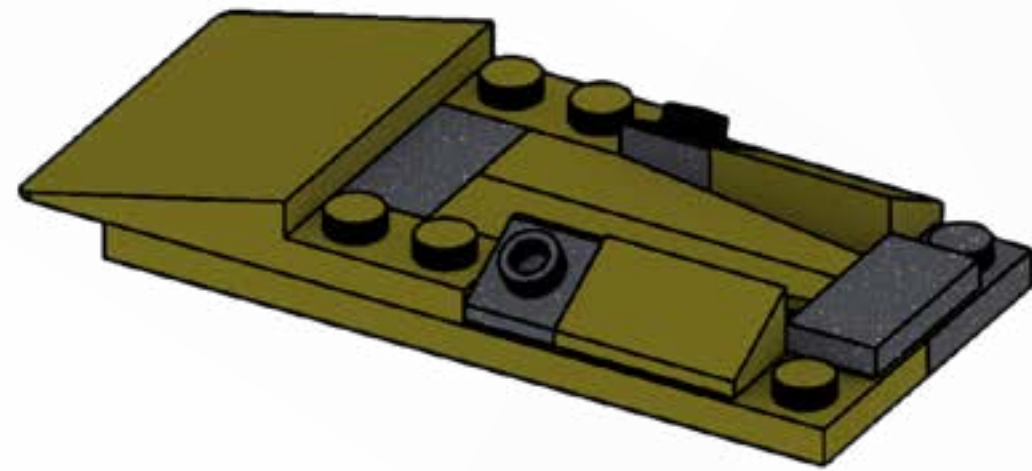


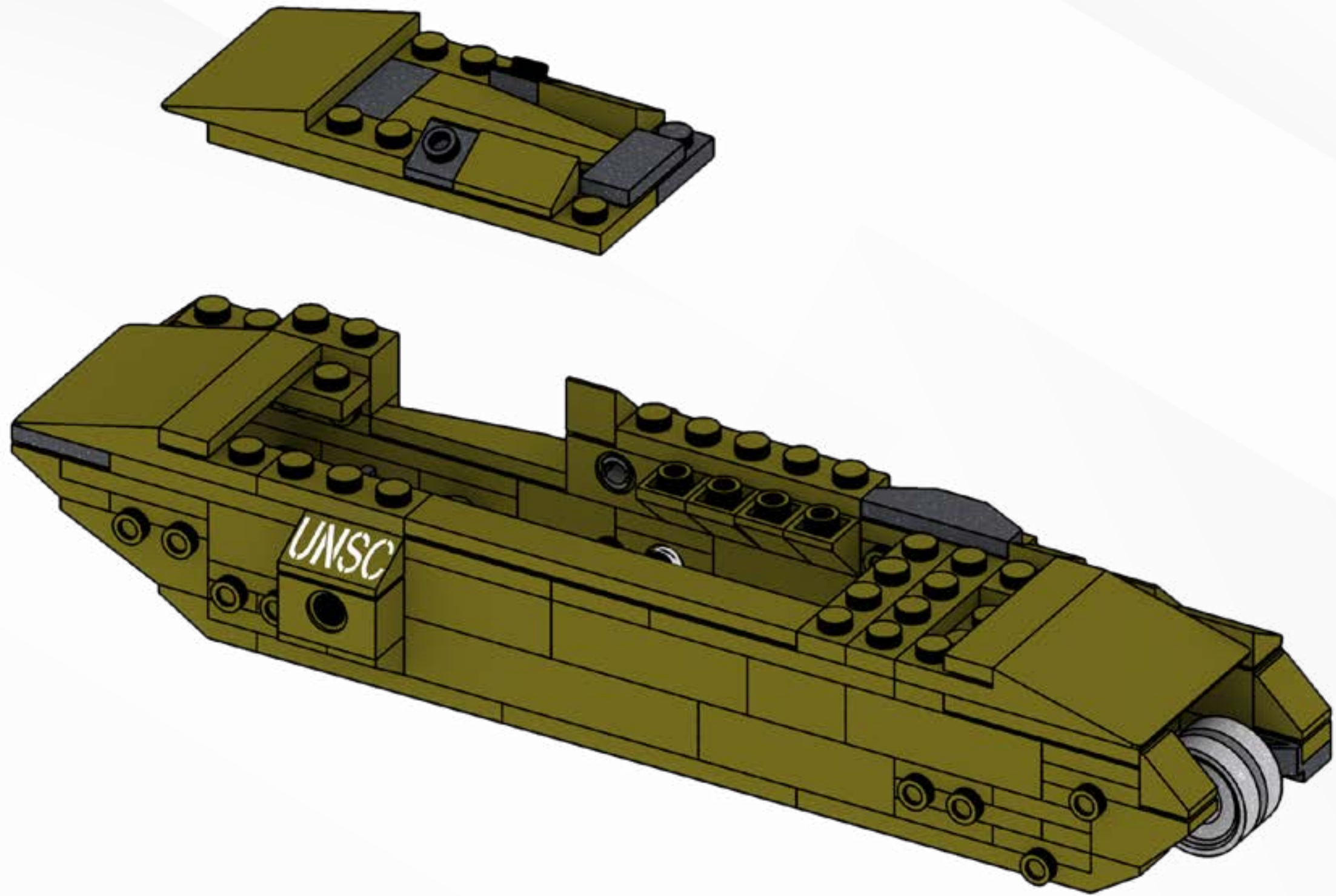


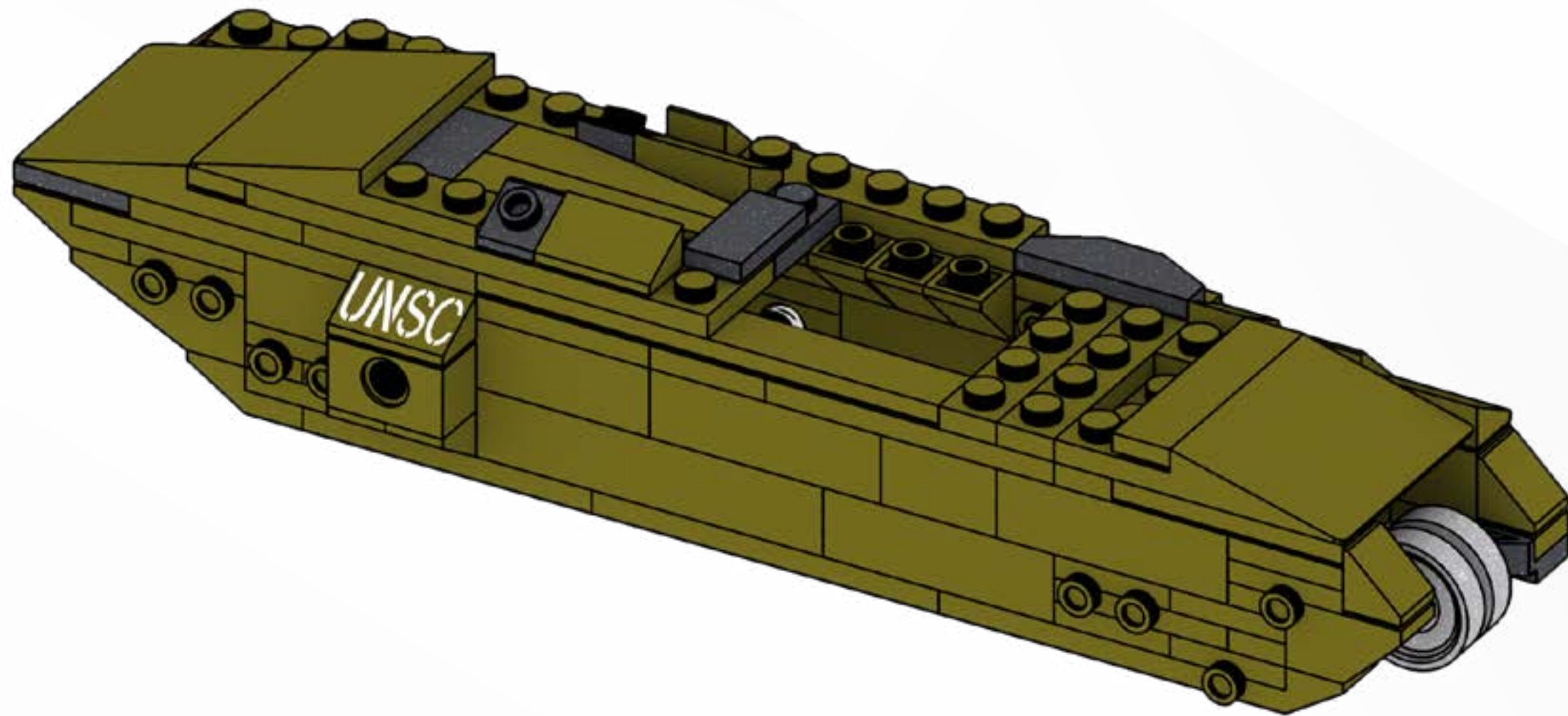


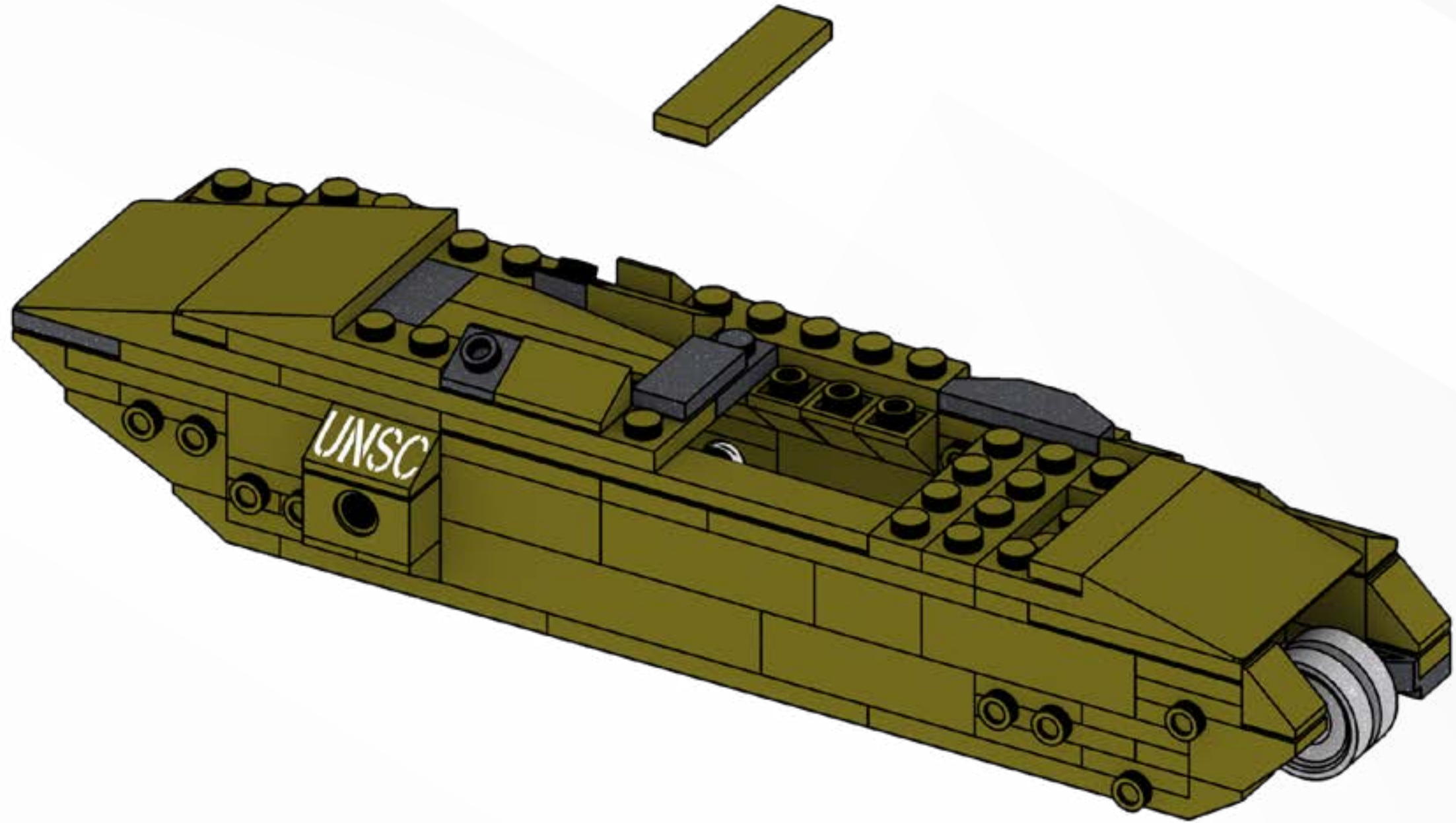


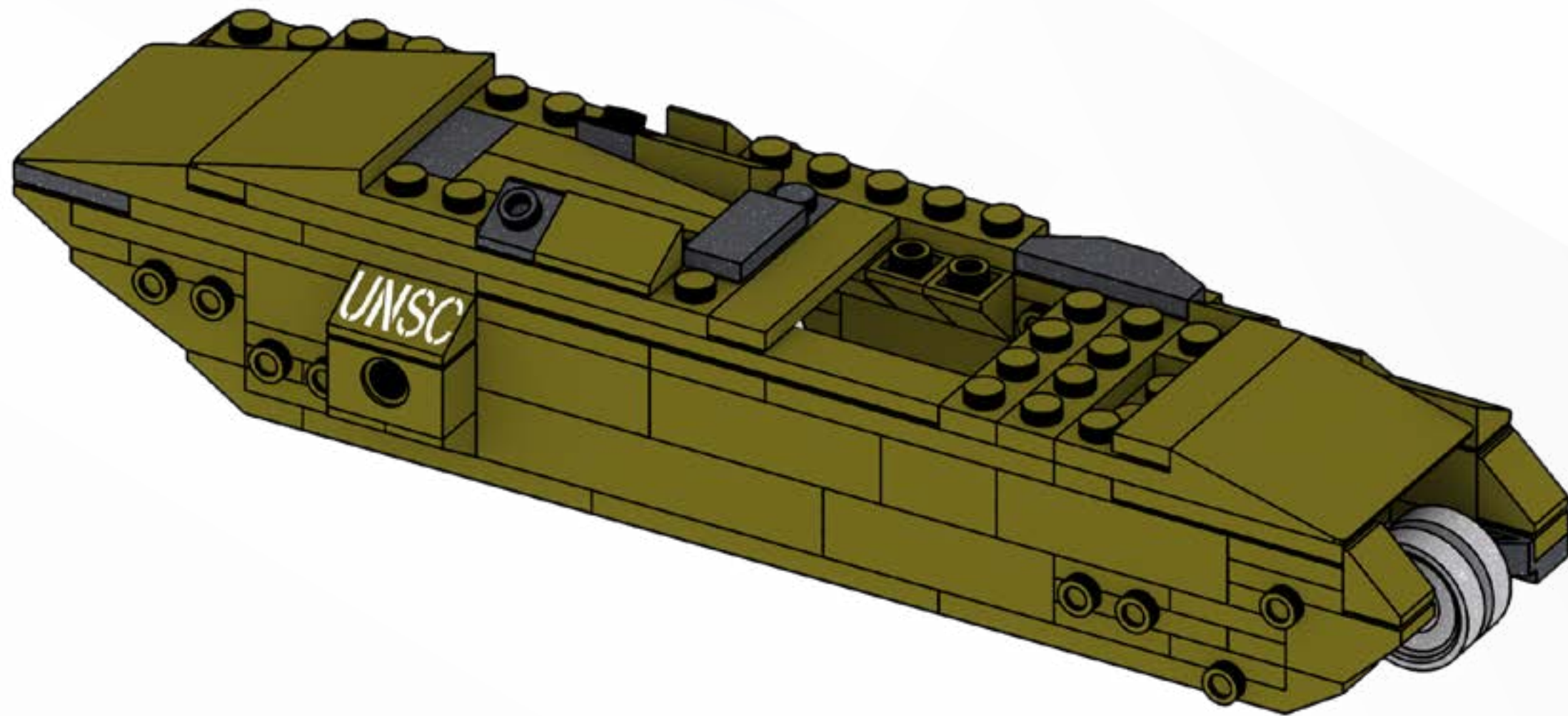


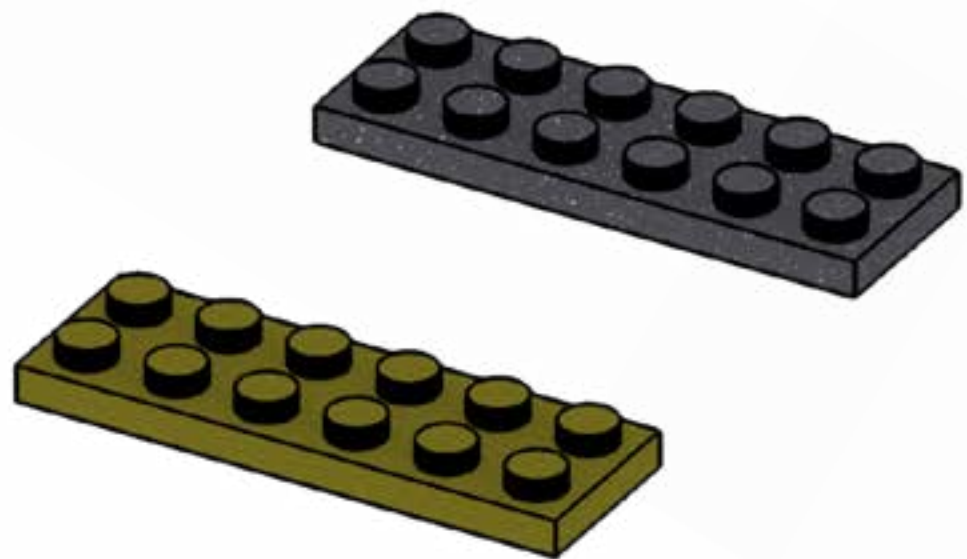


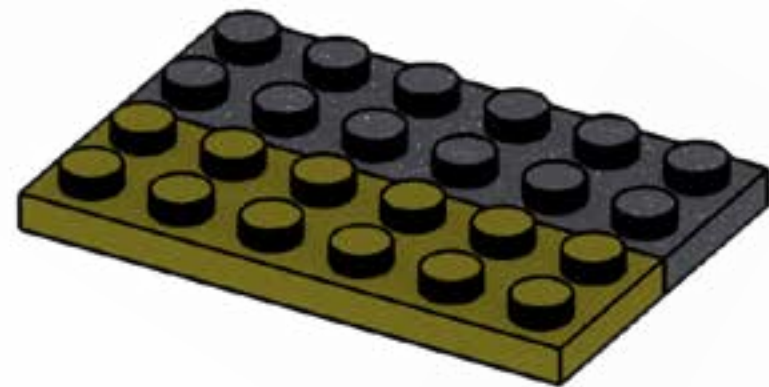


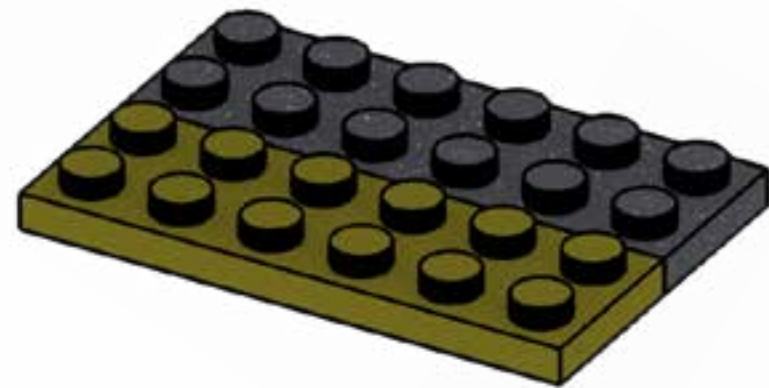
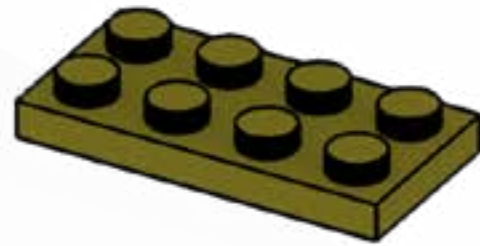


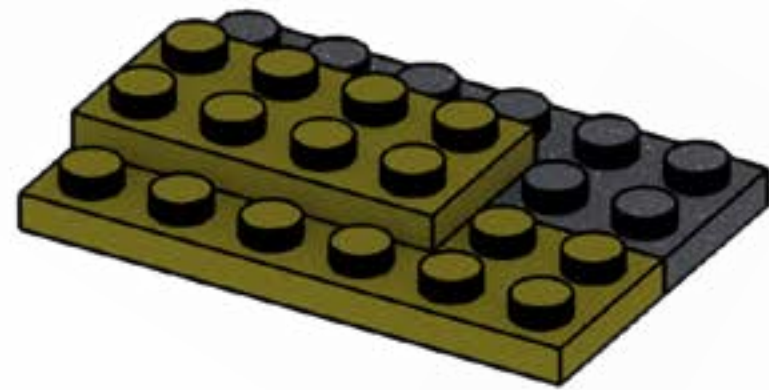




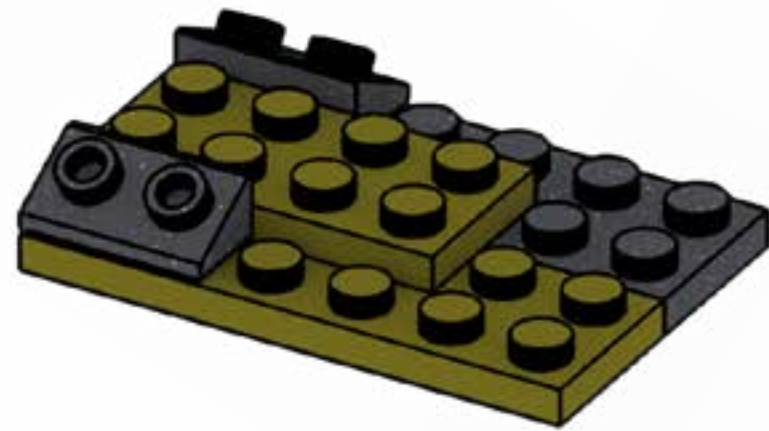


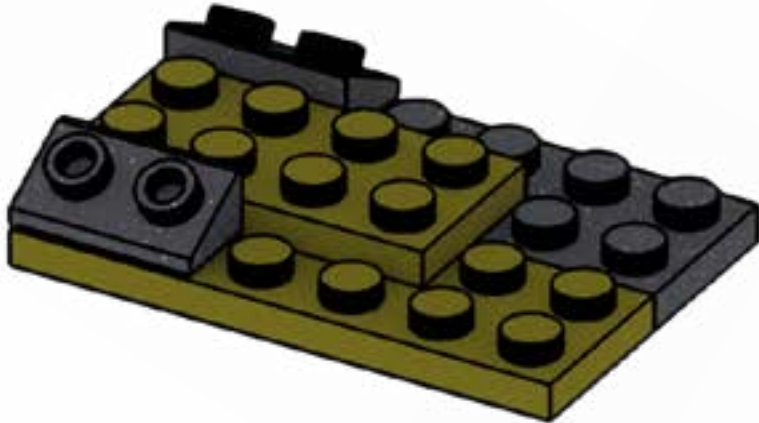
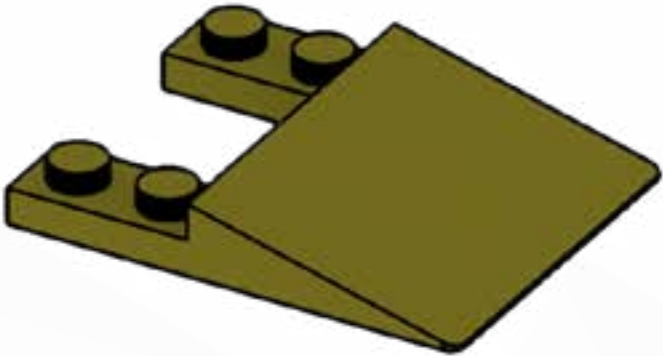


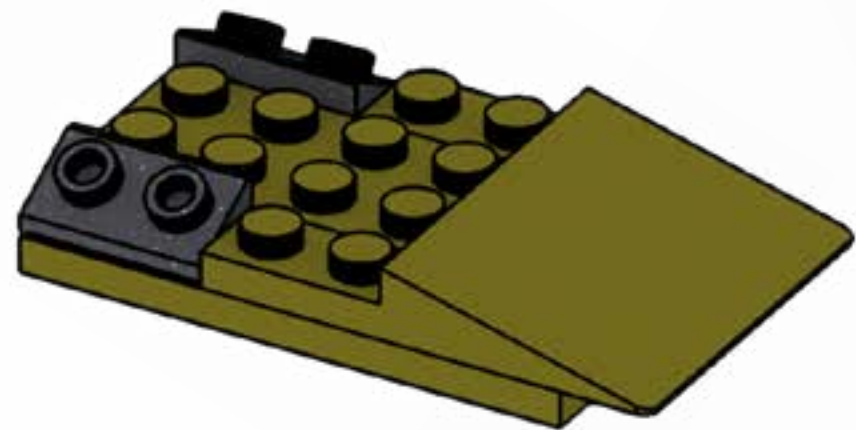


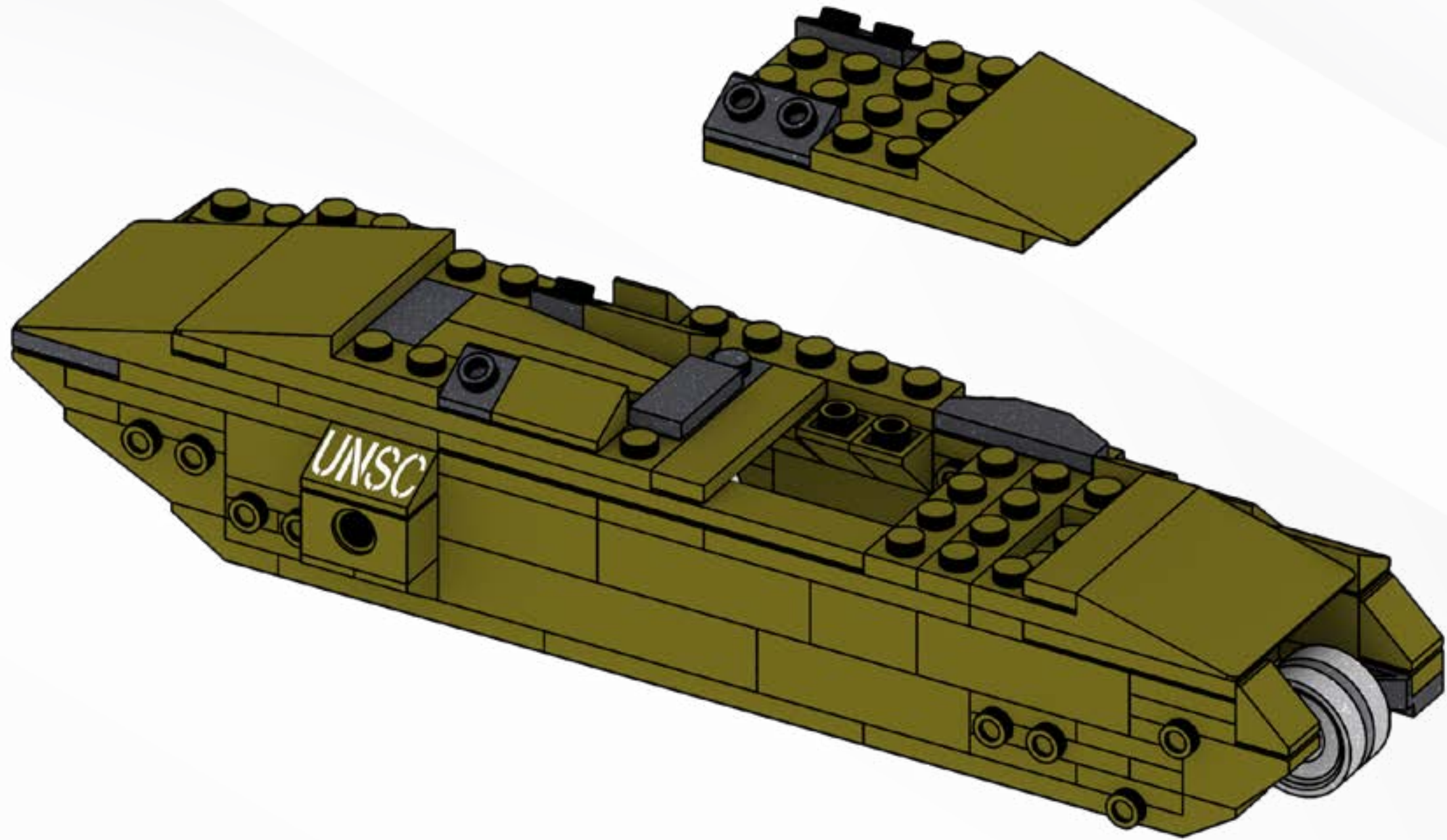


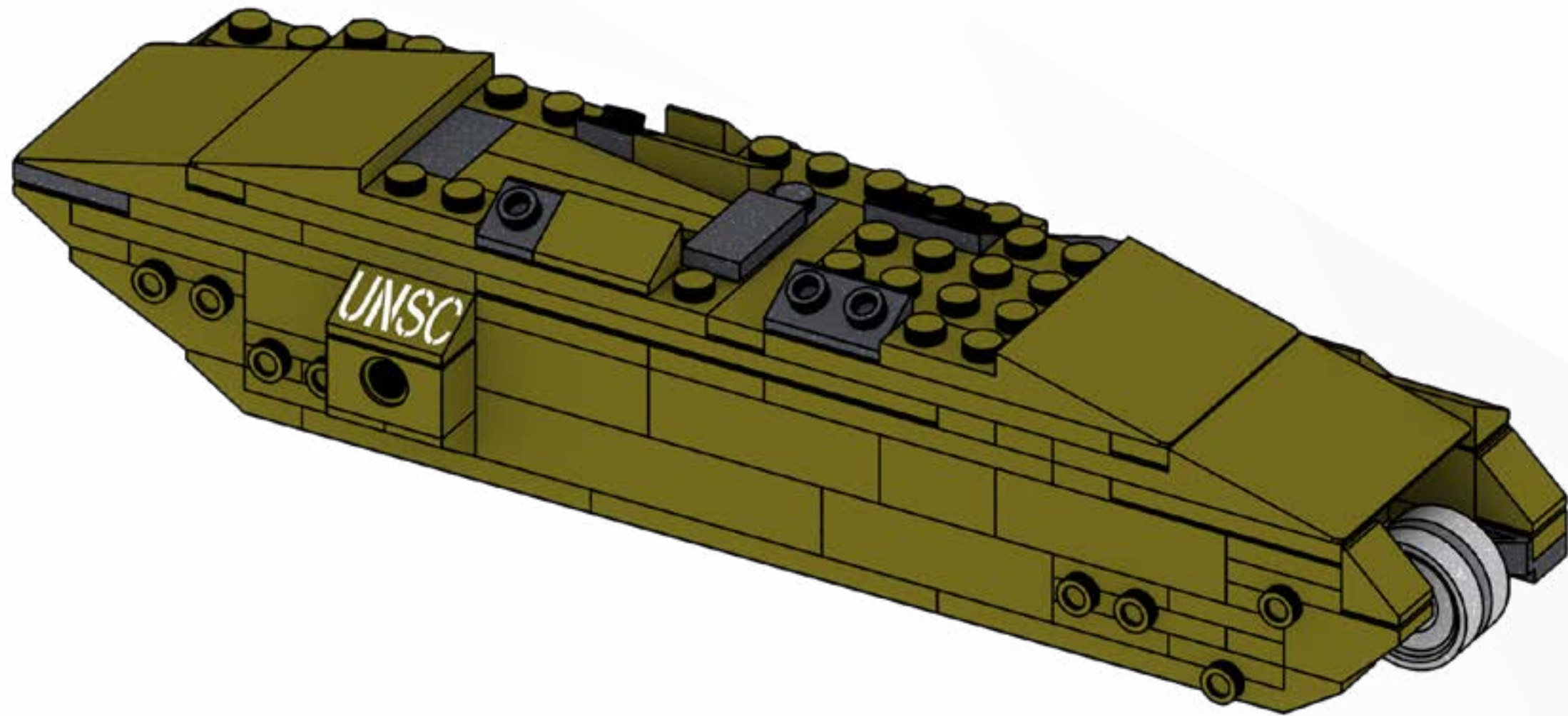


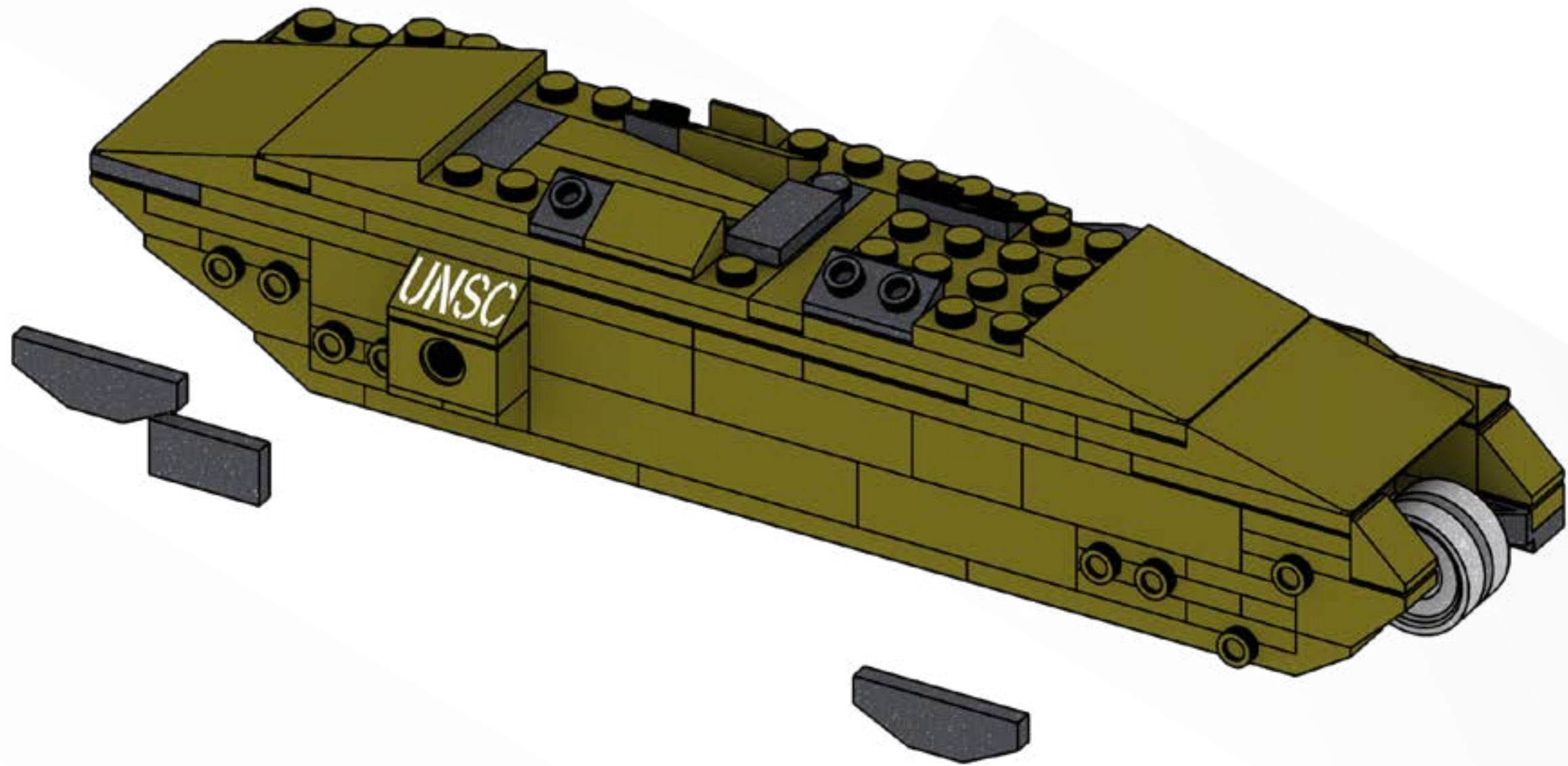


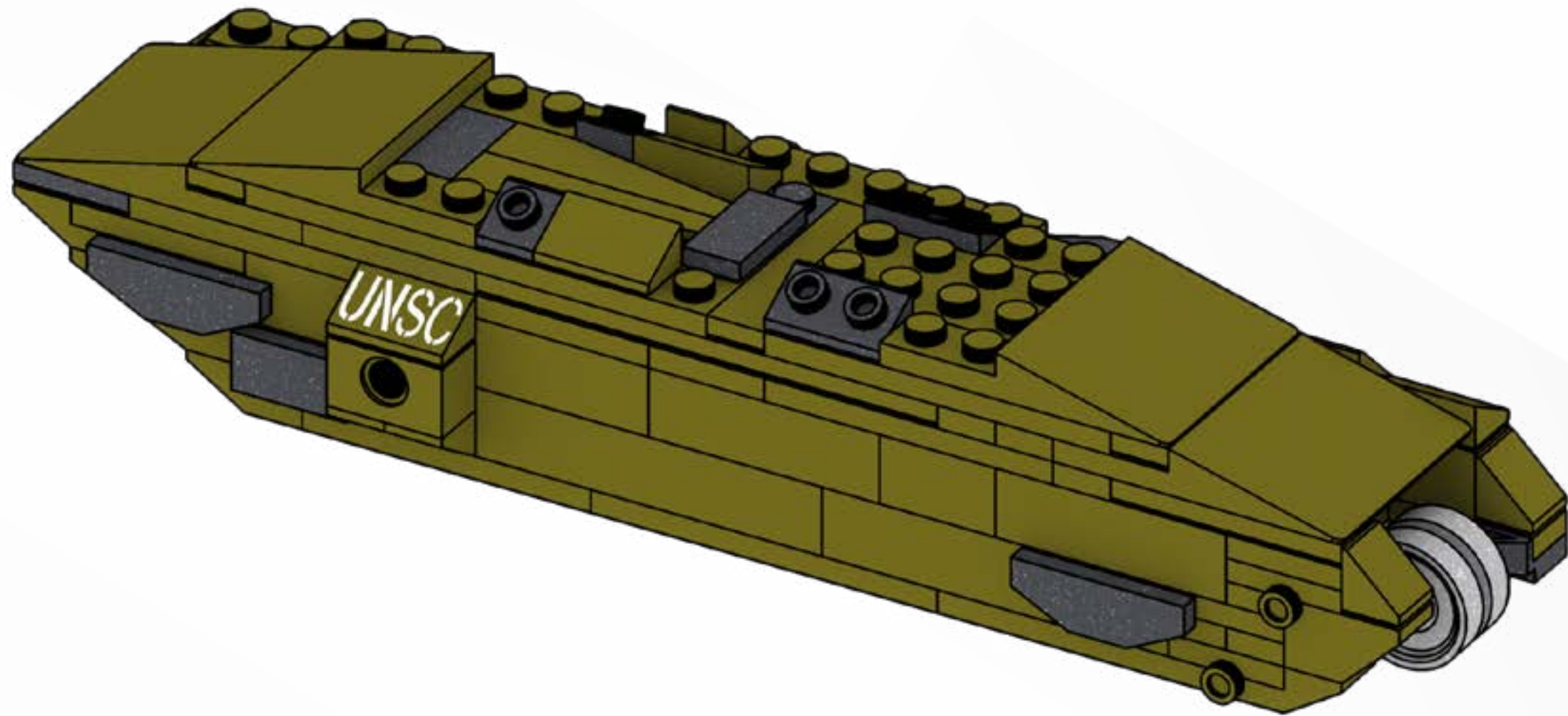


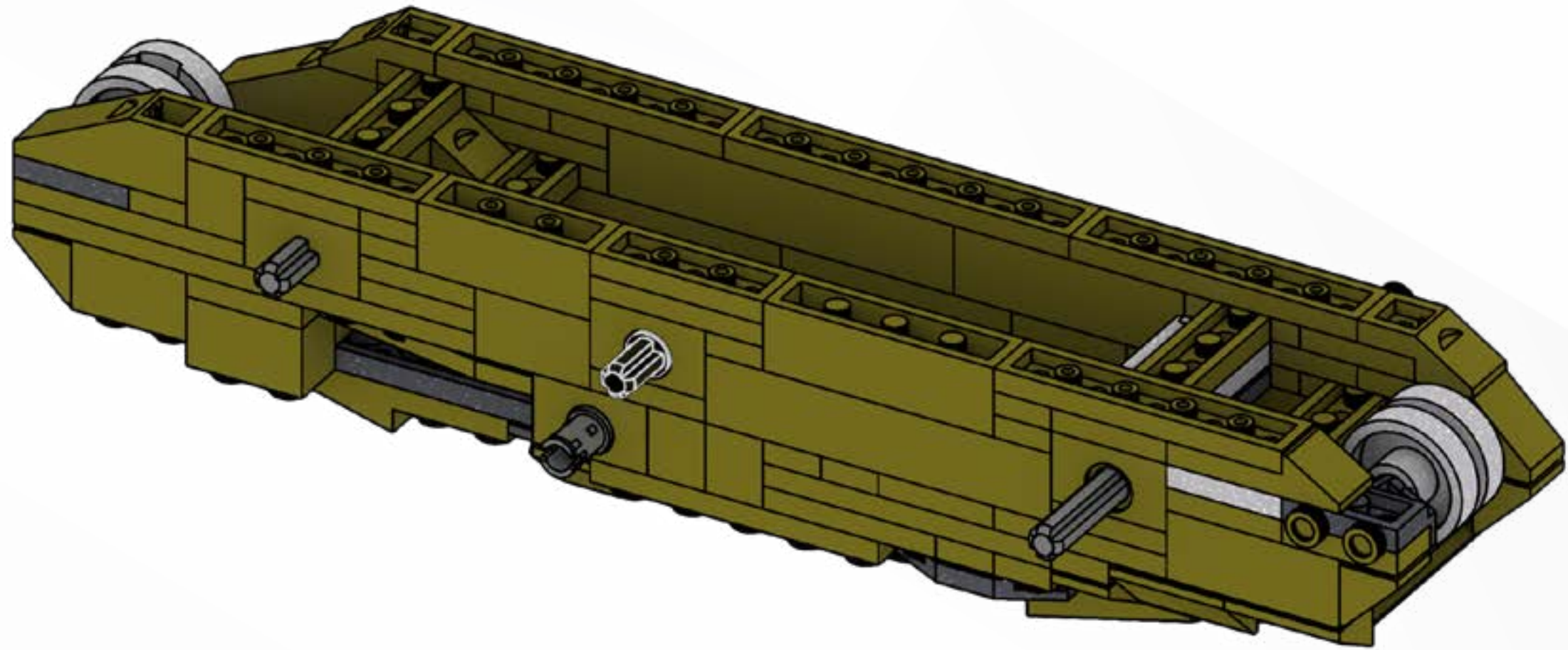
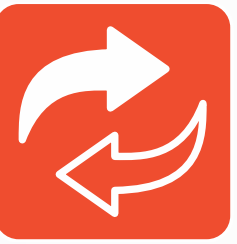


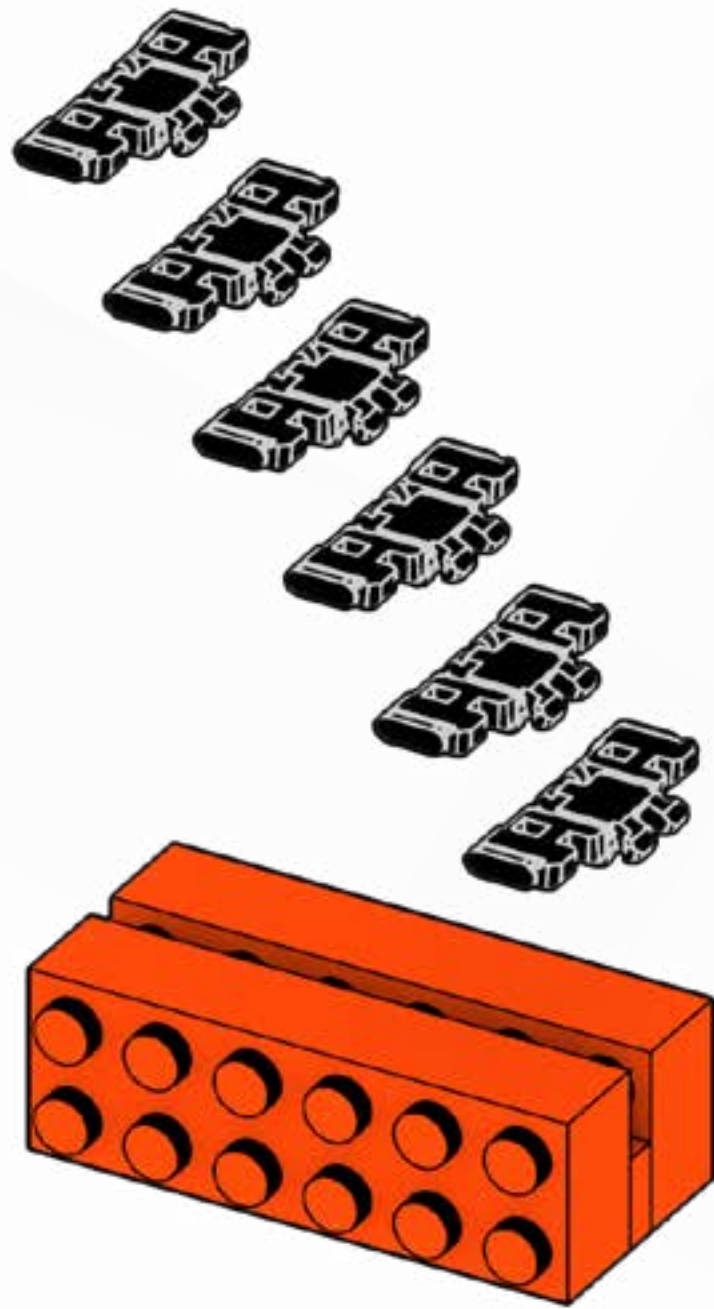


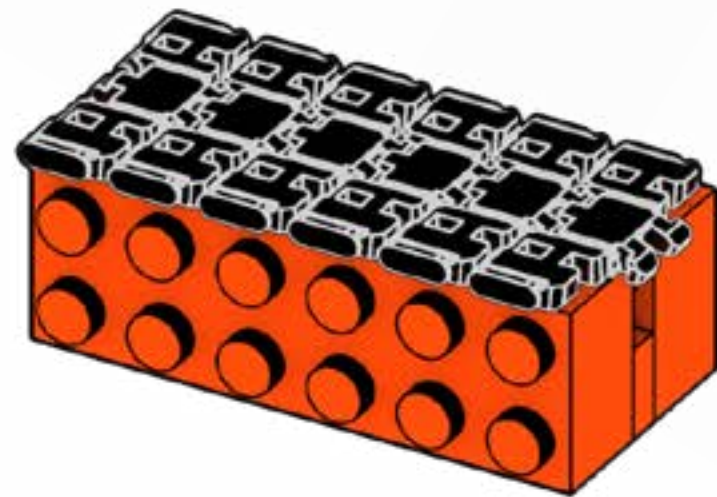


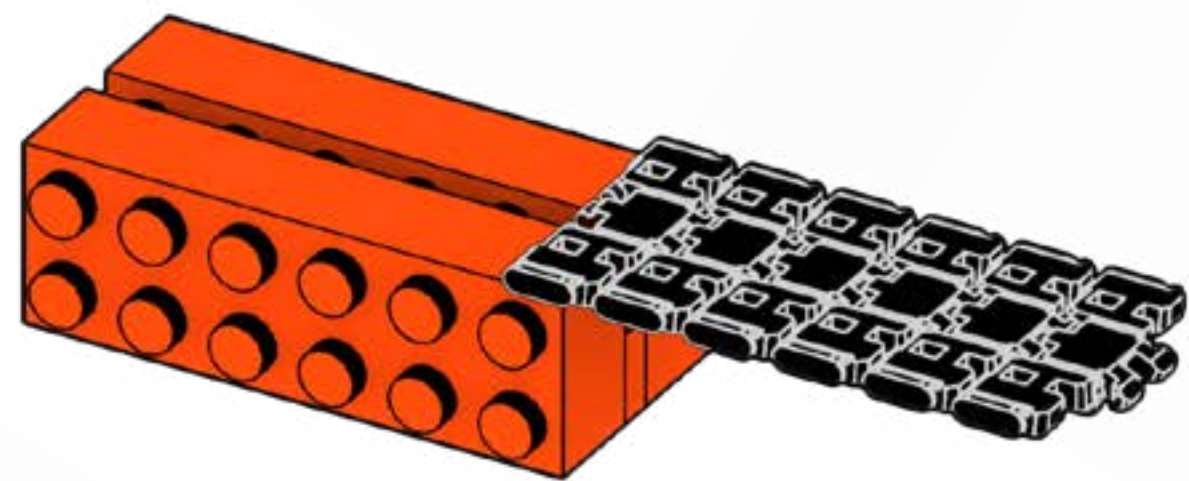


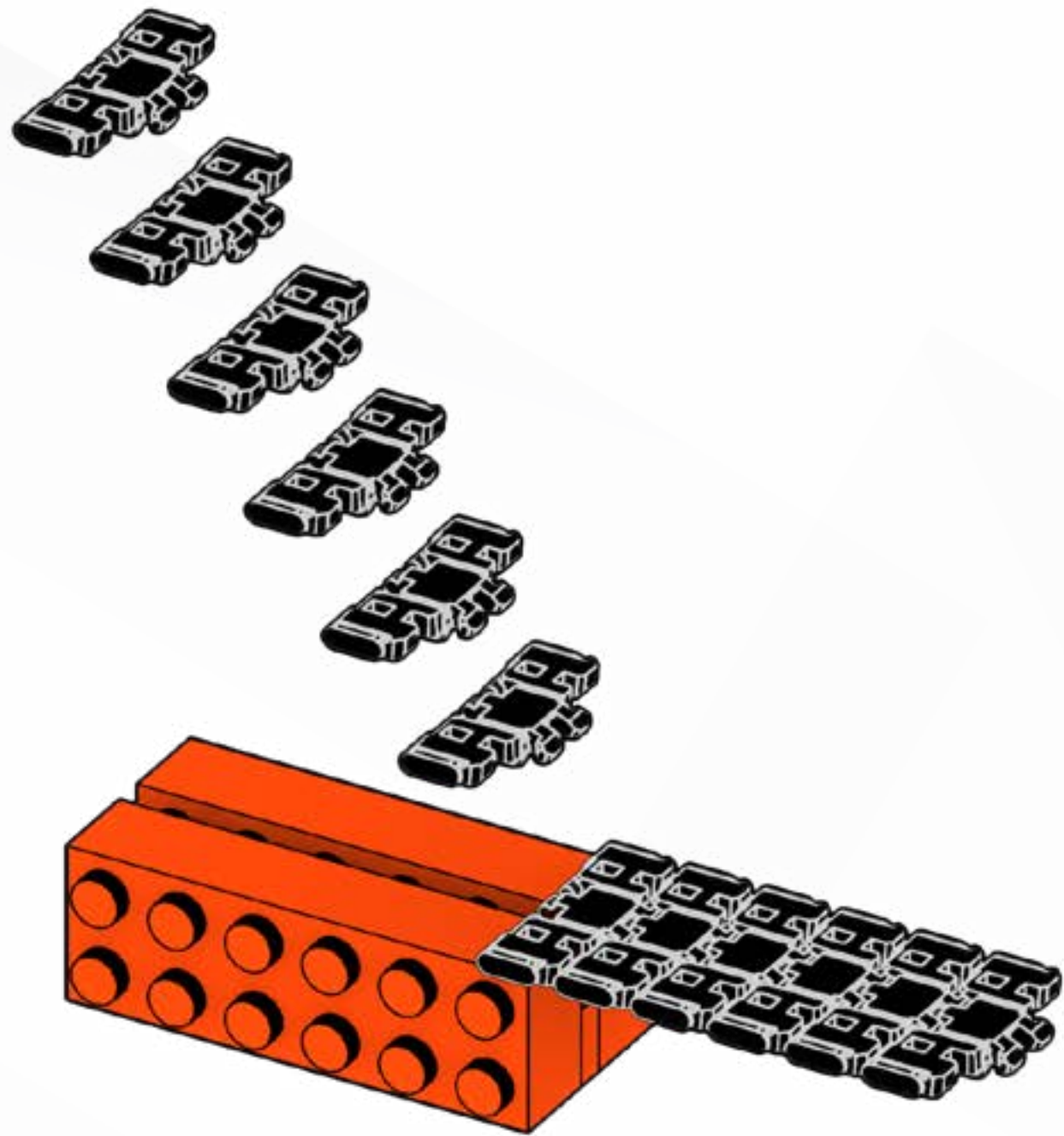


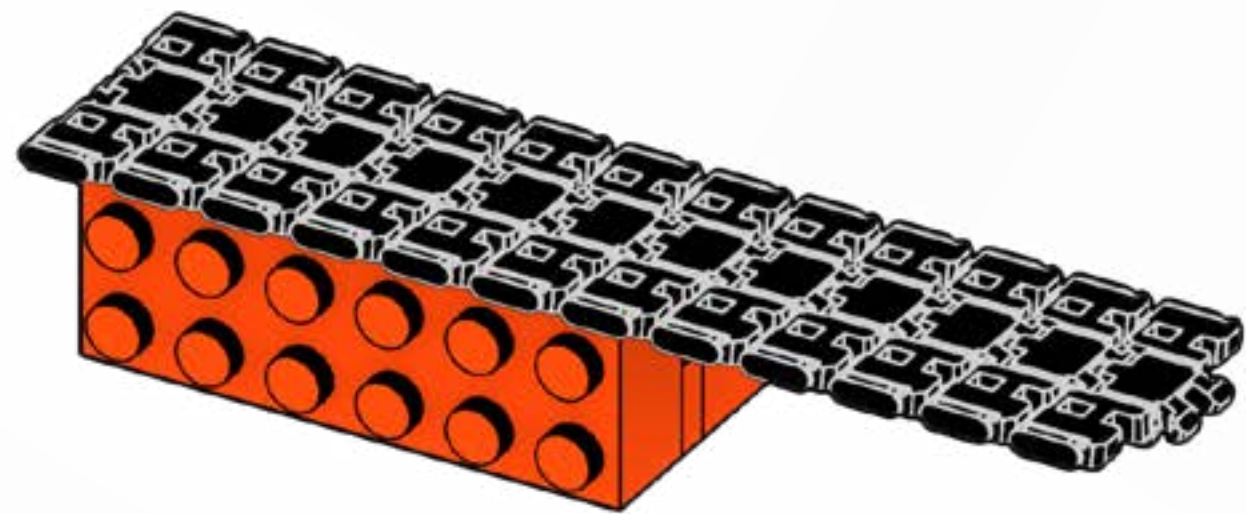


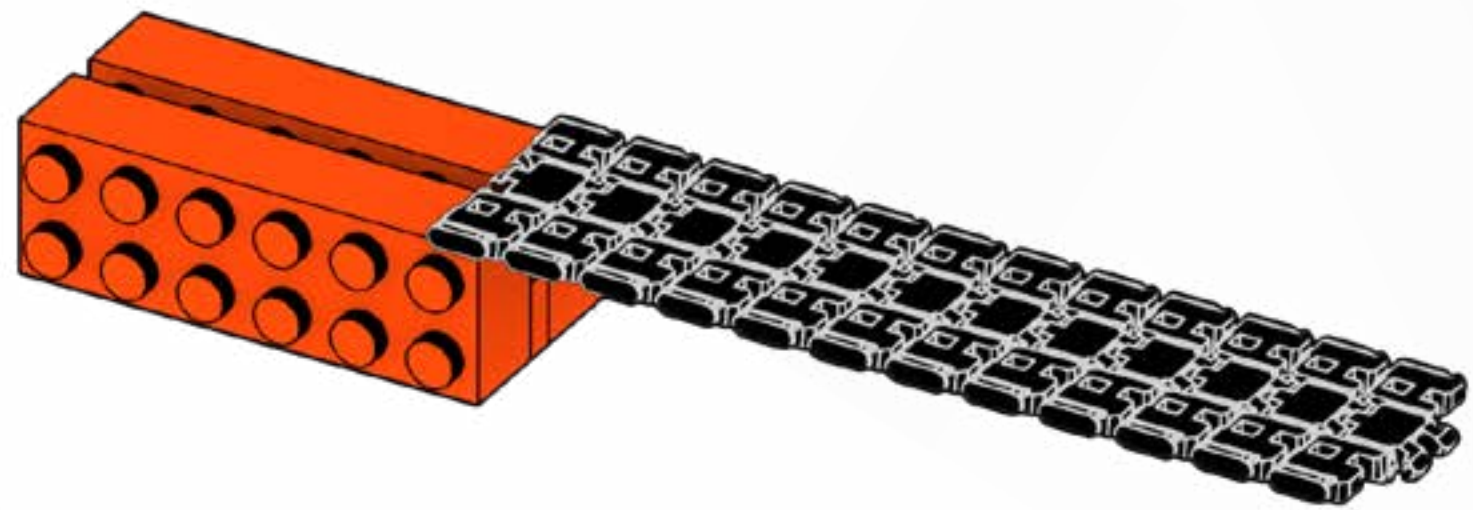


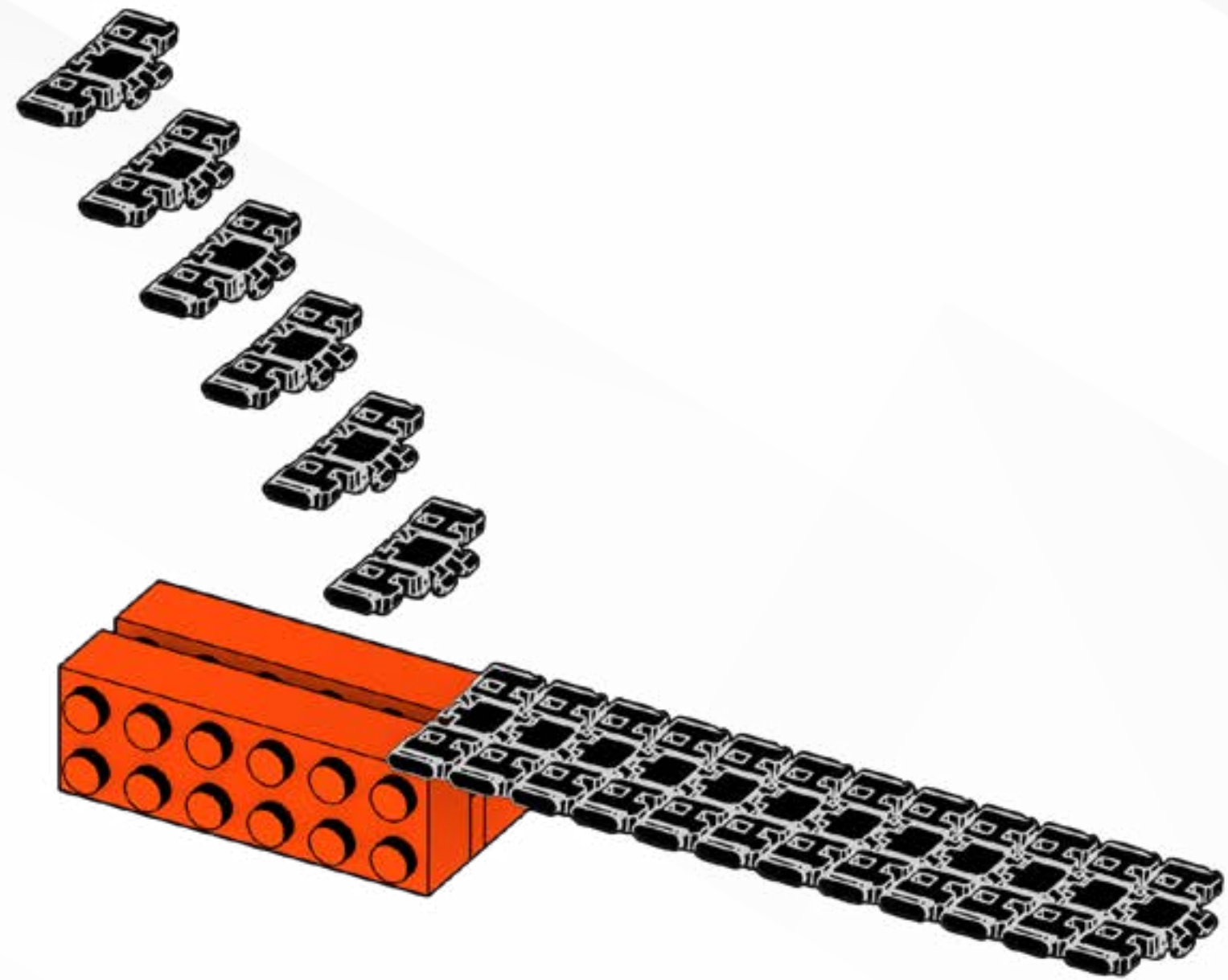


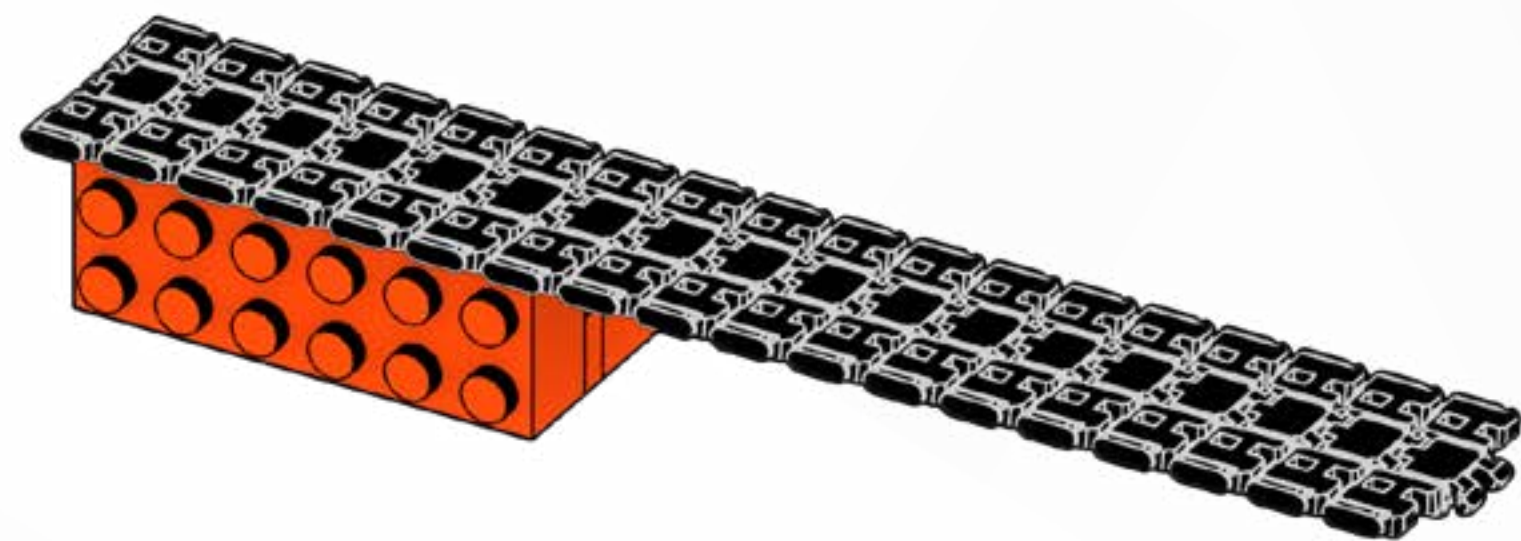


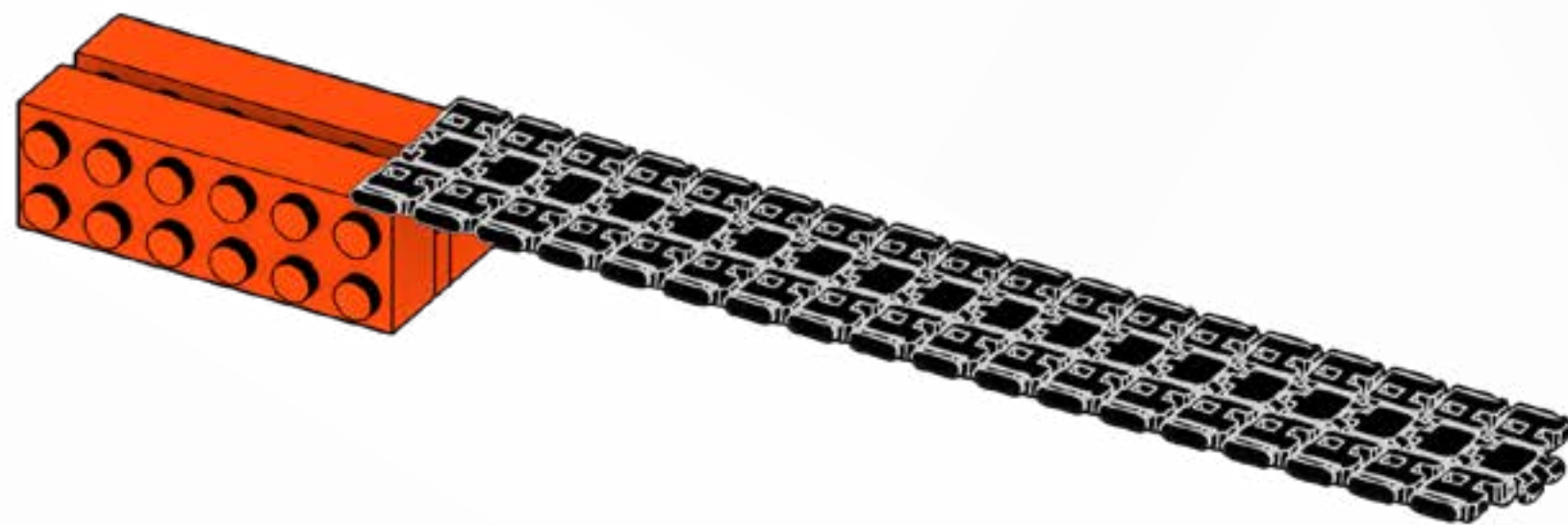


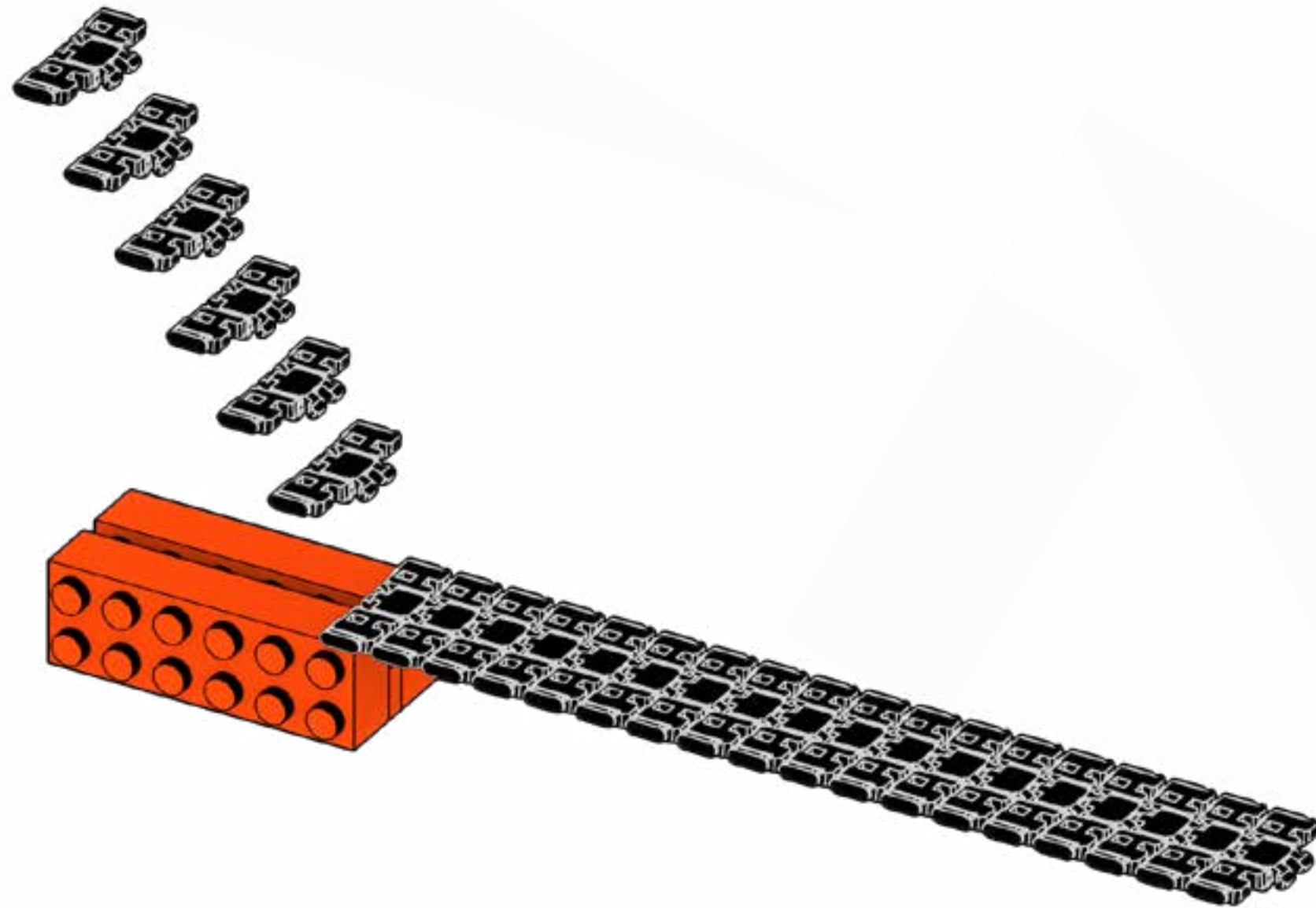


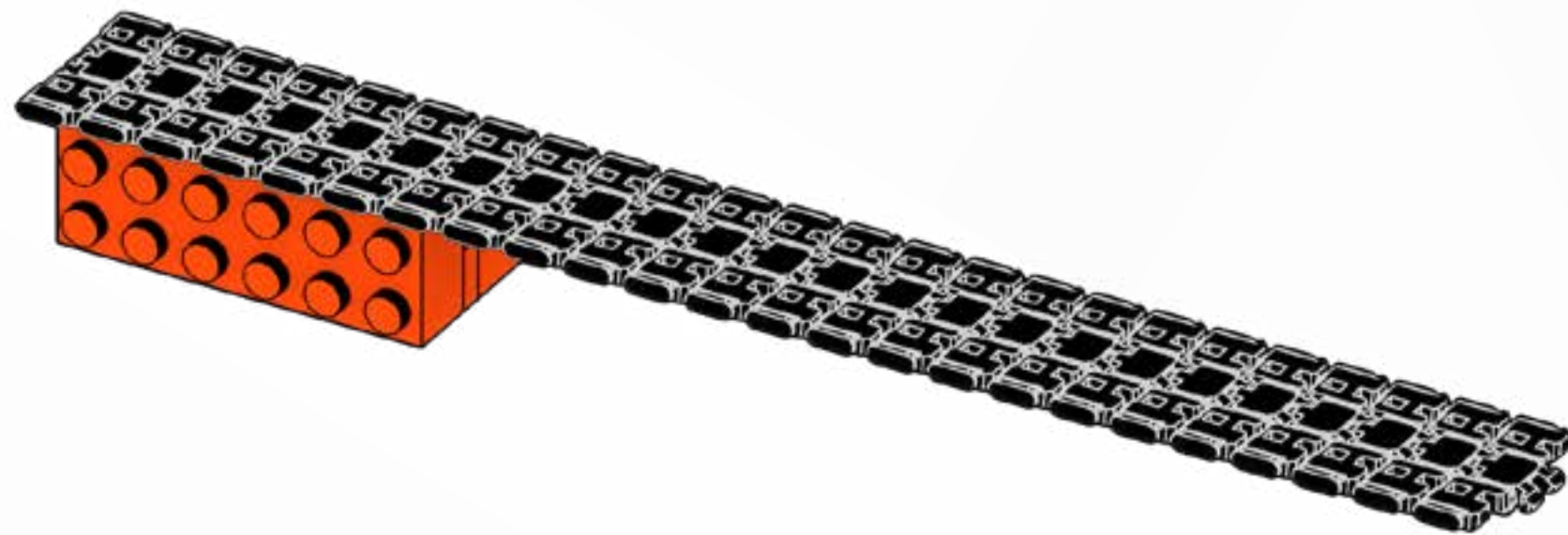


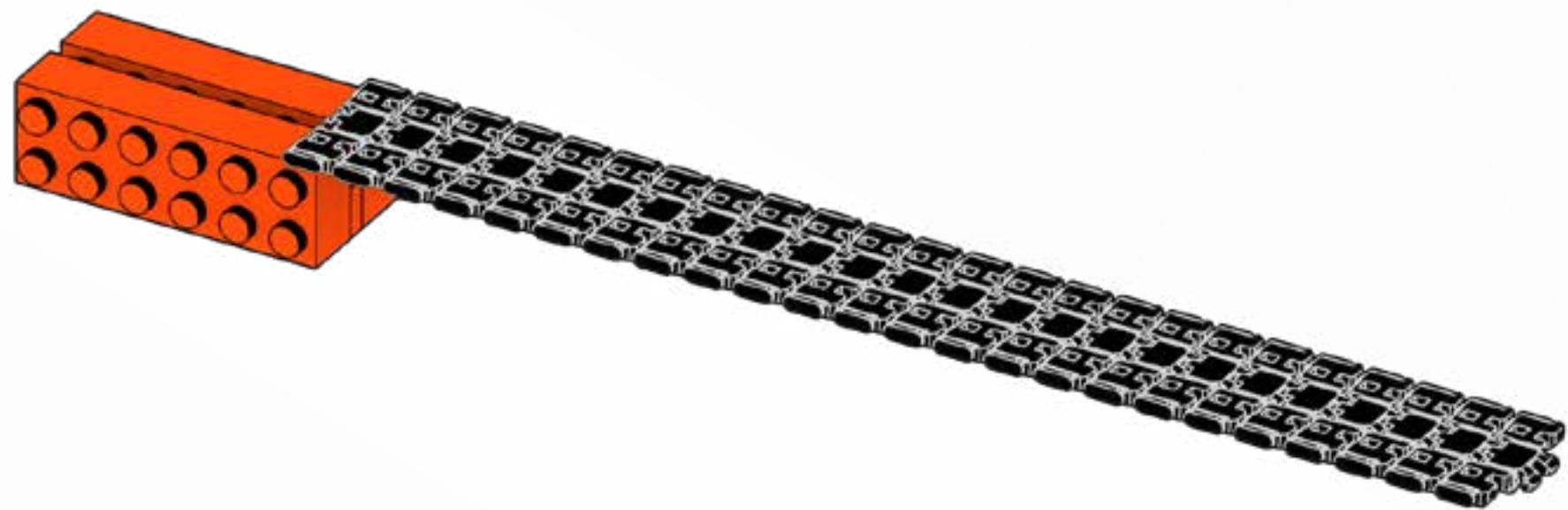


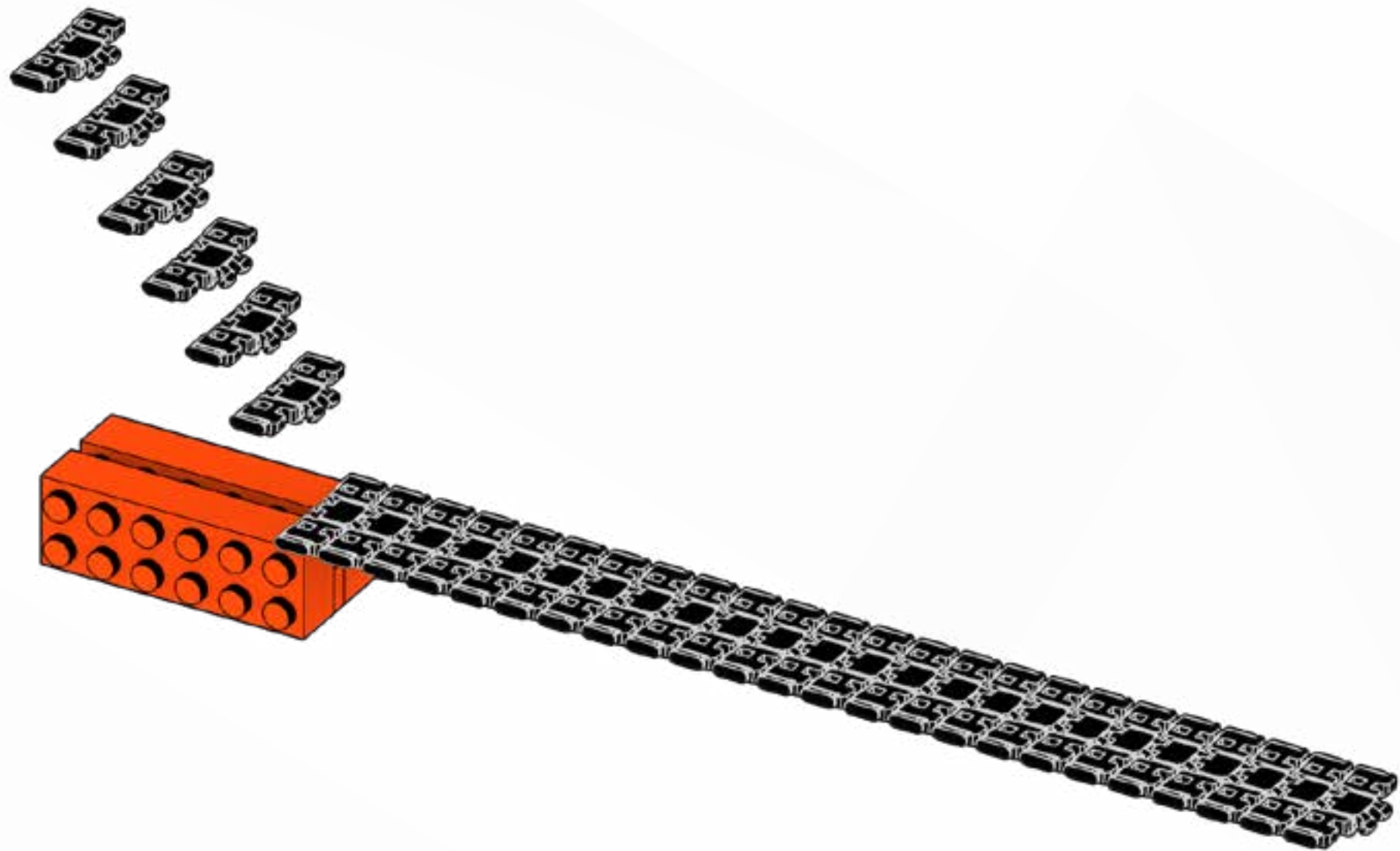


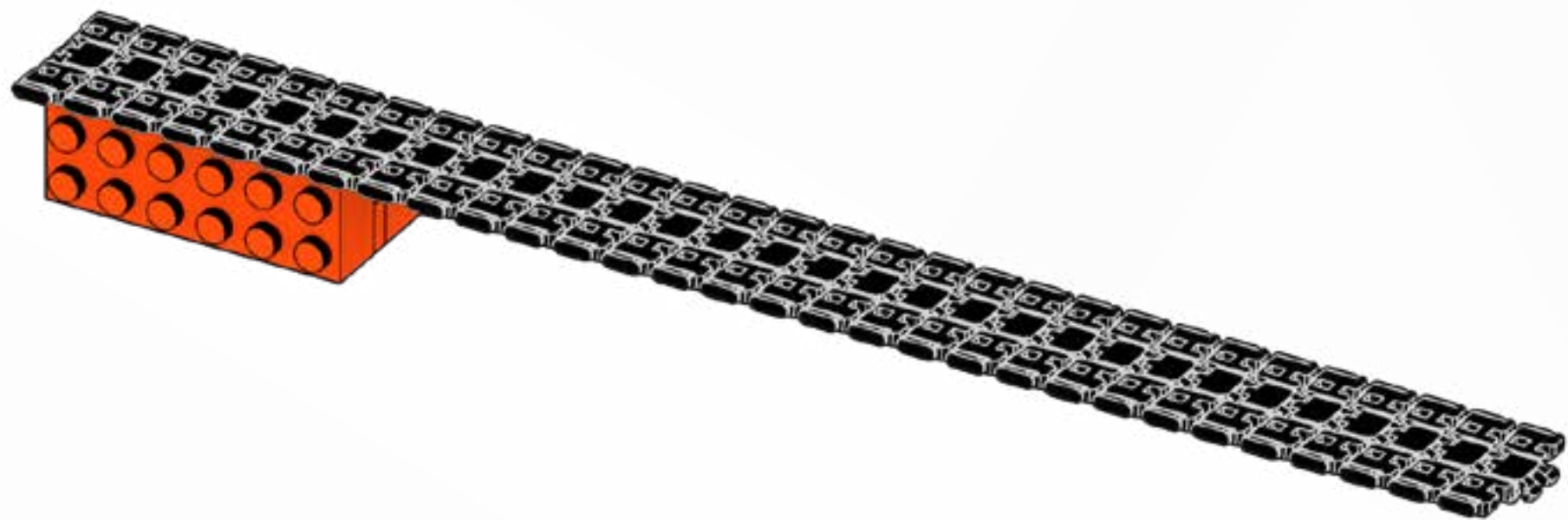












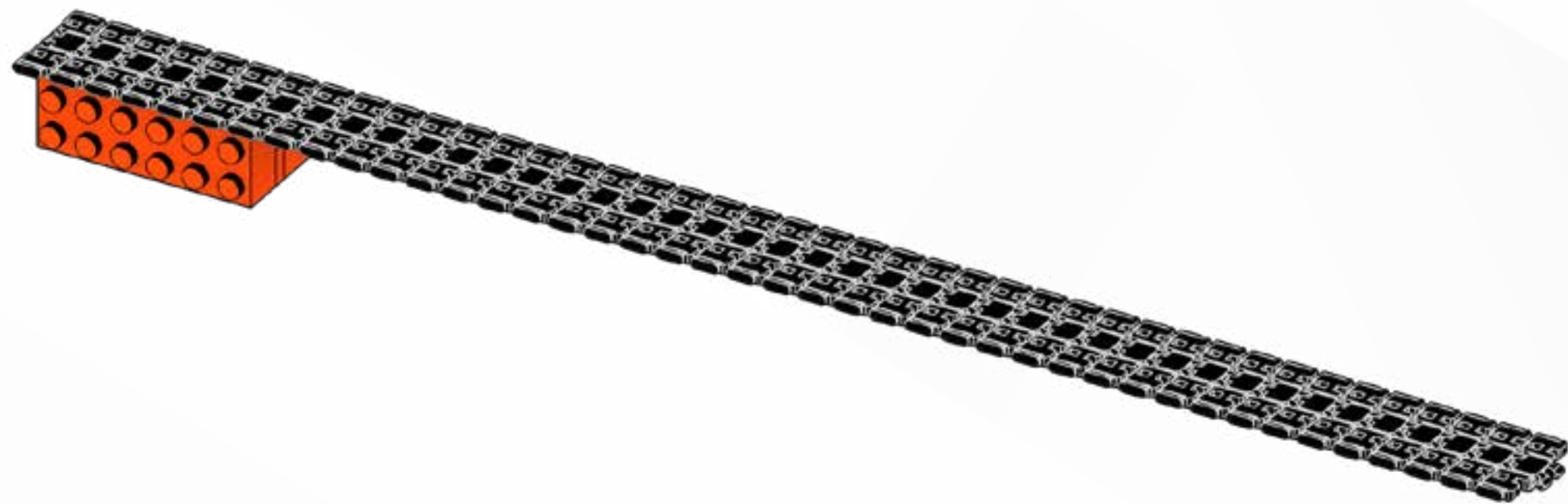




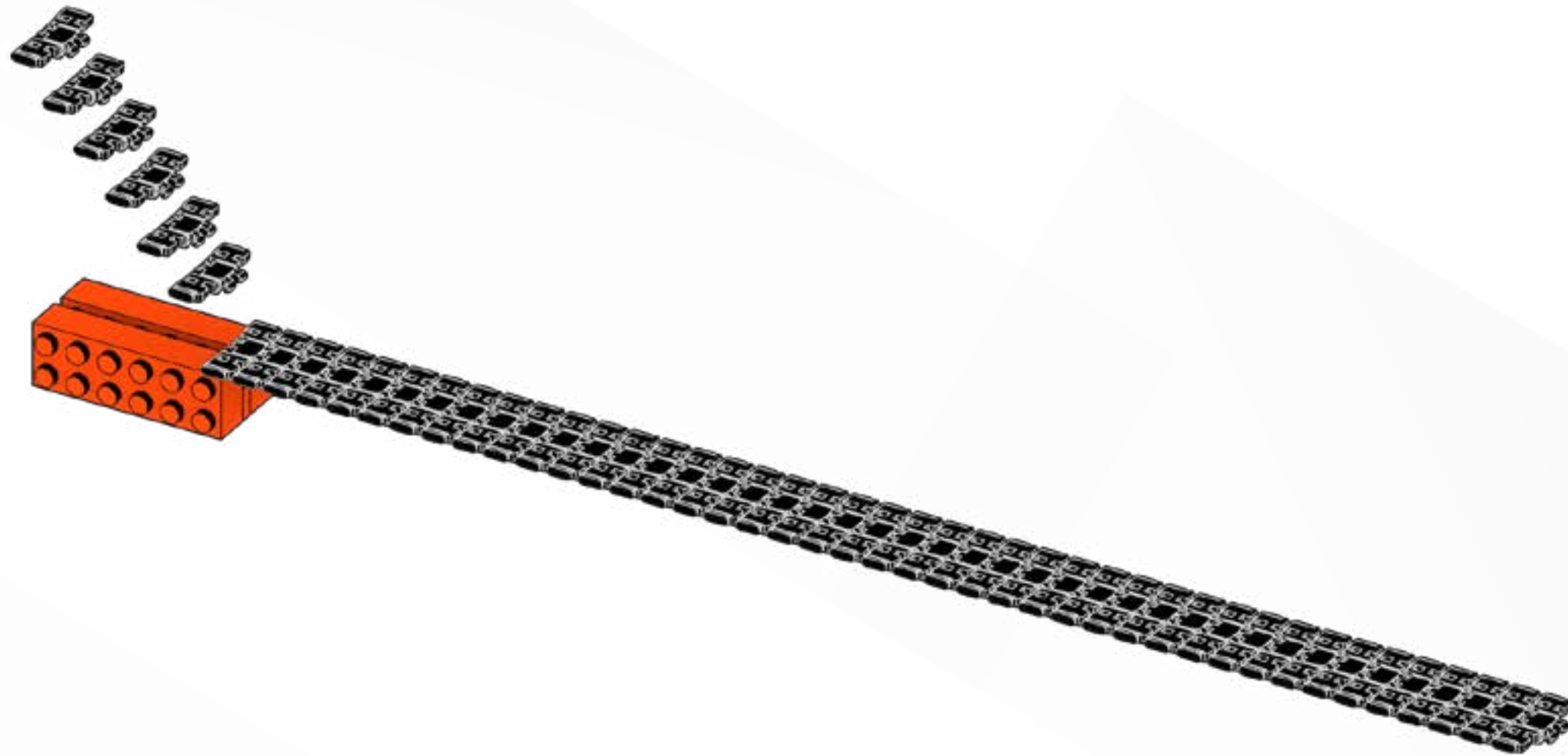




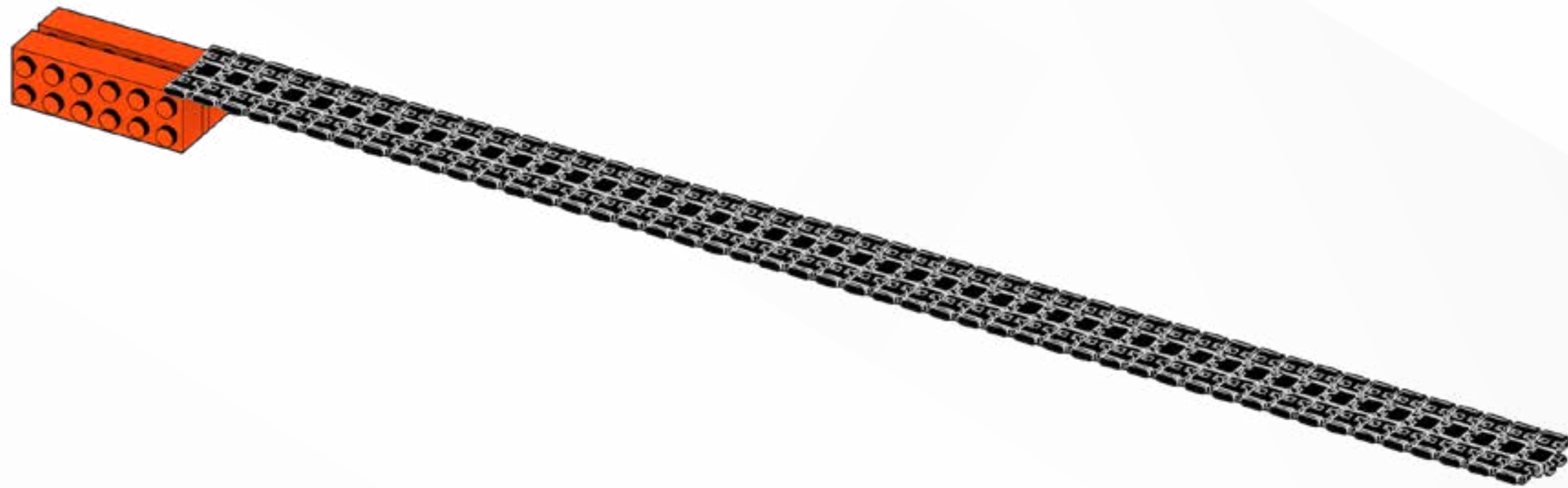




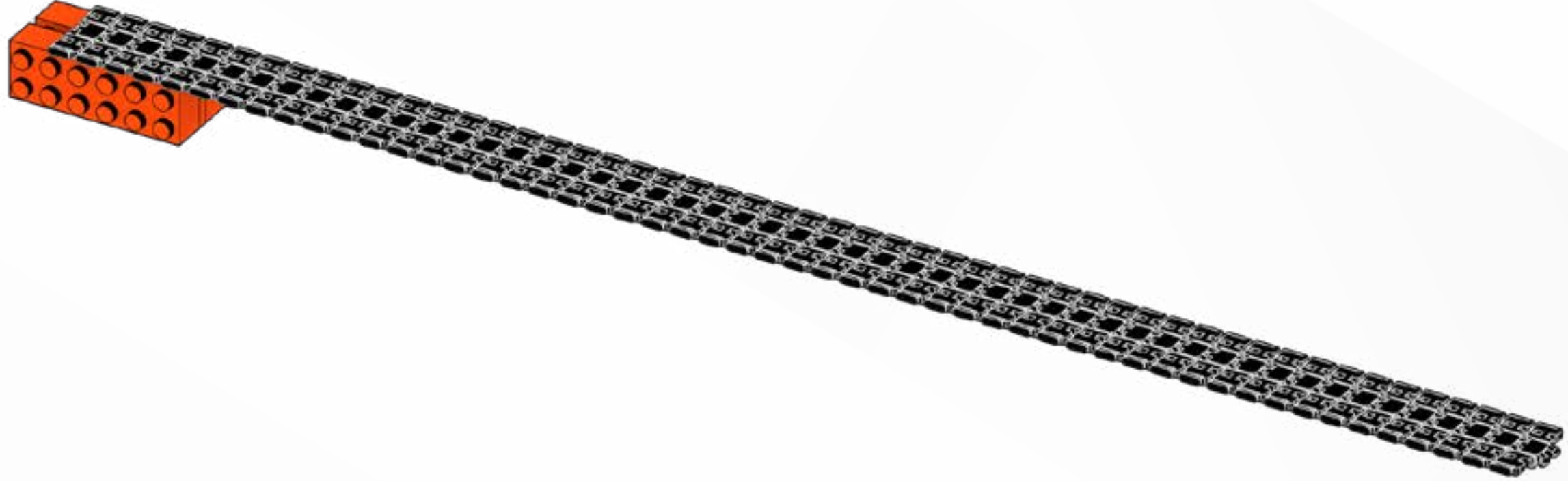




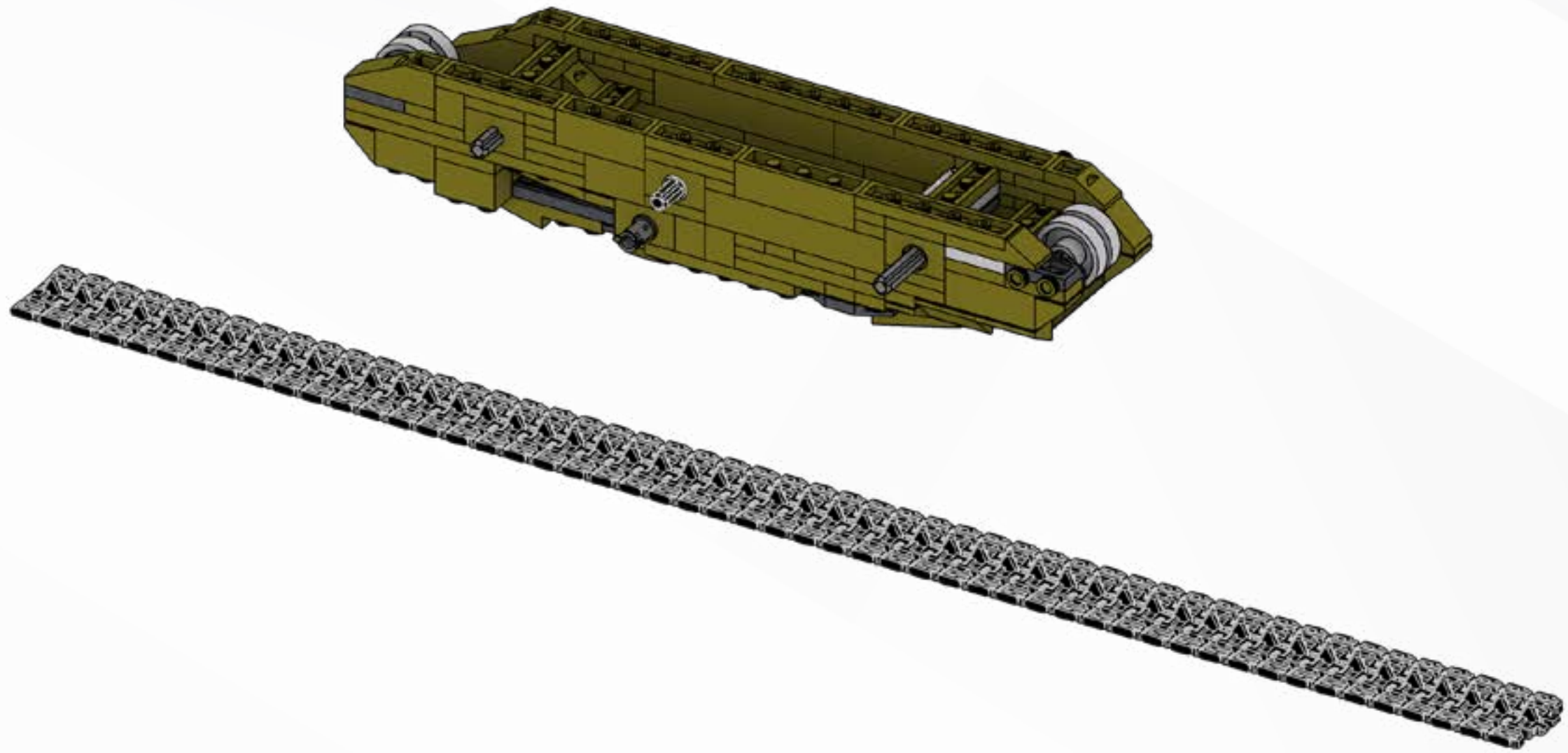


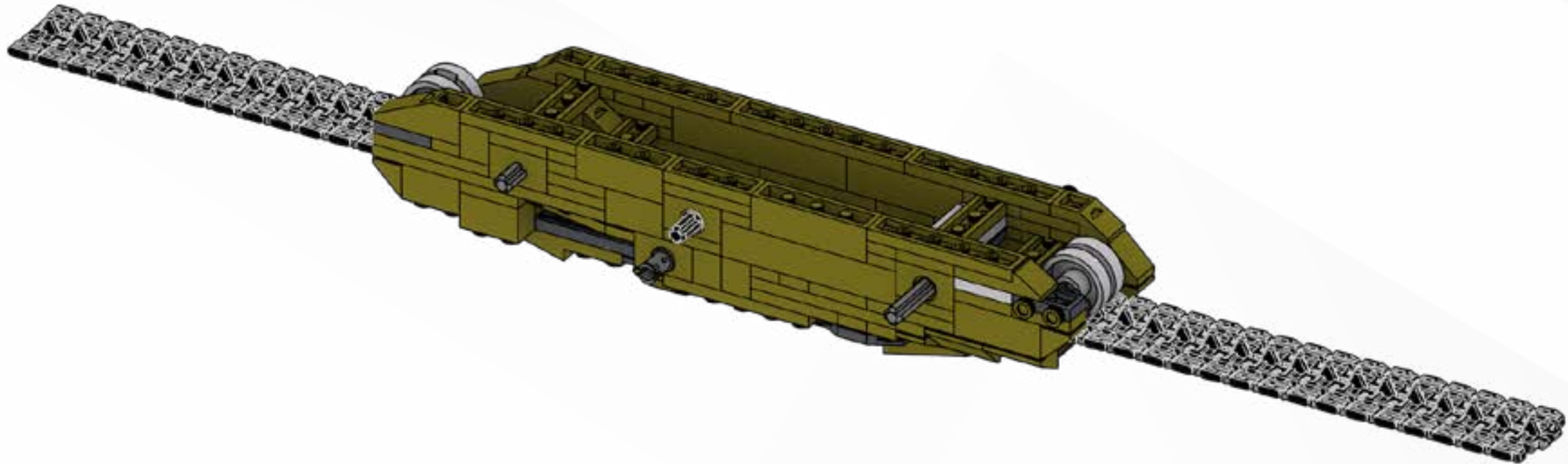


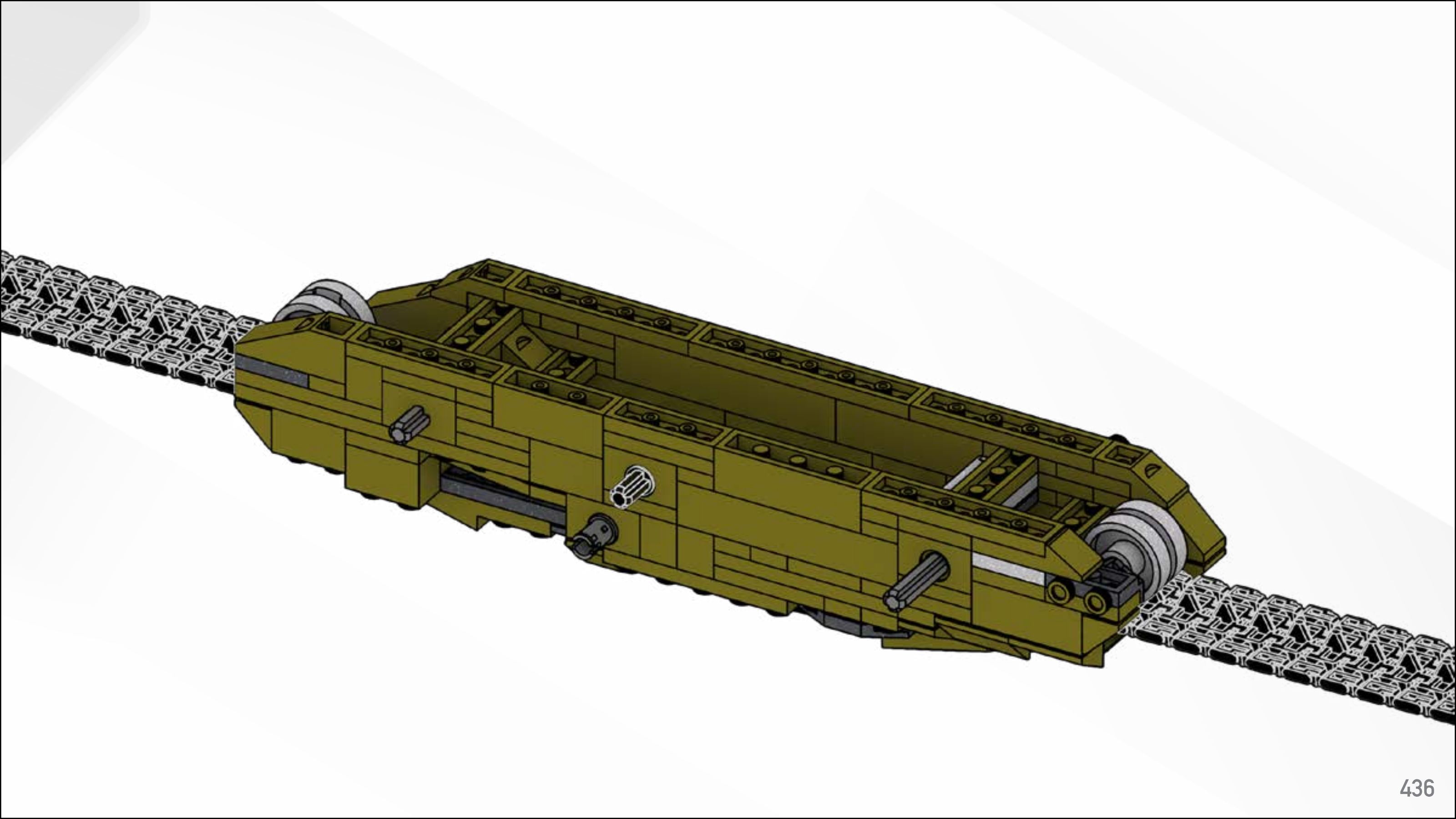














x6



x6

