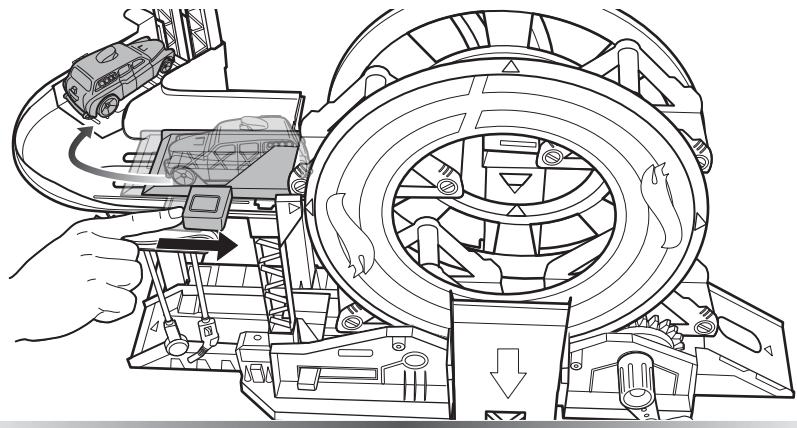
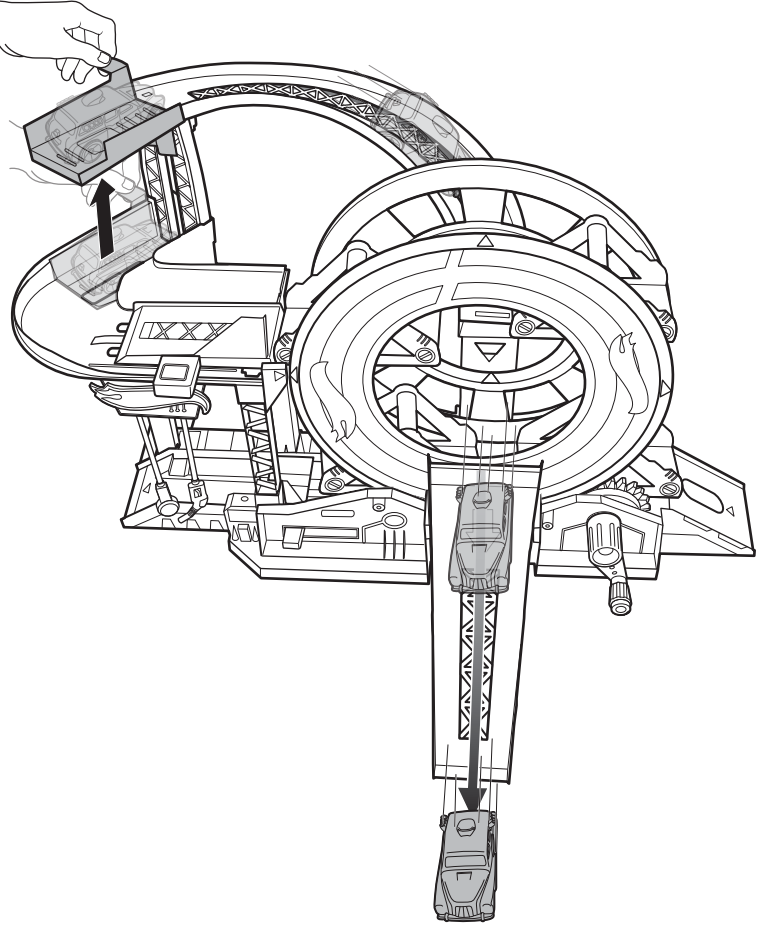


FRONT

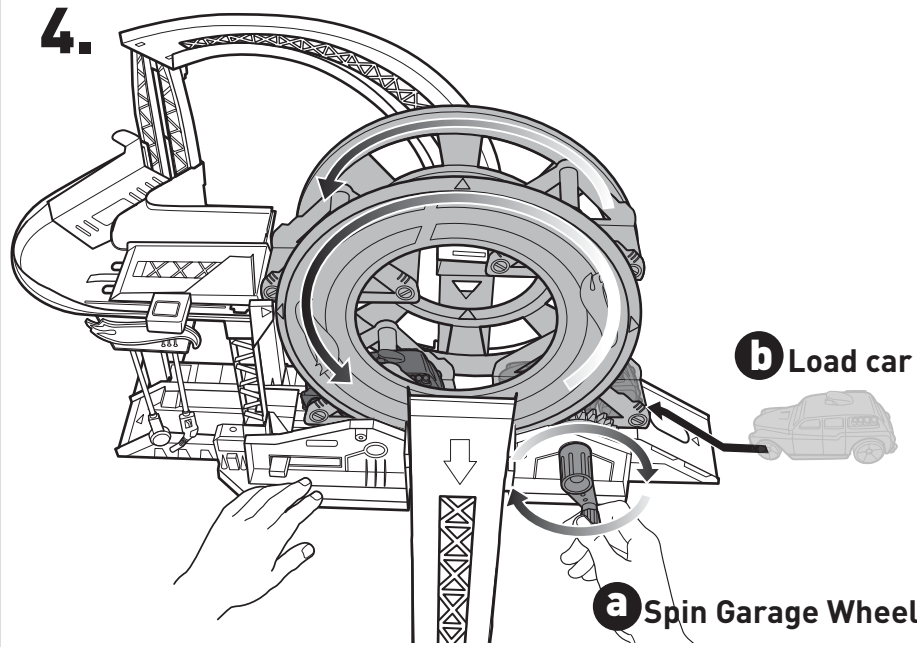
2. Push handle to release car.



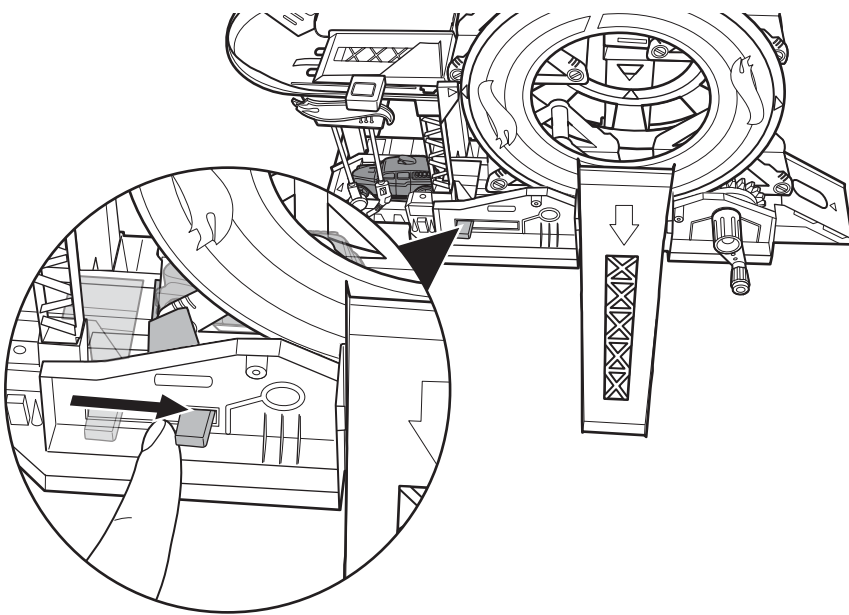
3.



4.



5. Push to release car into Tune-up Station.

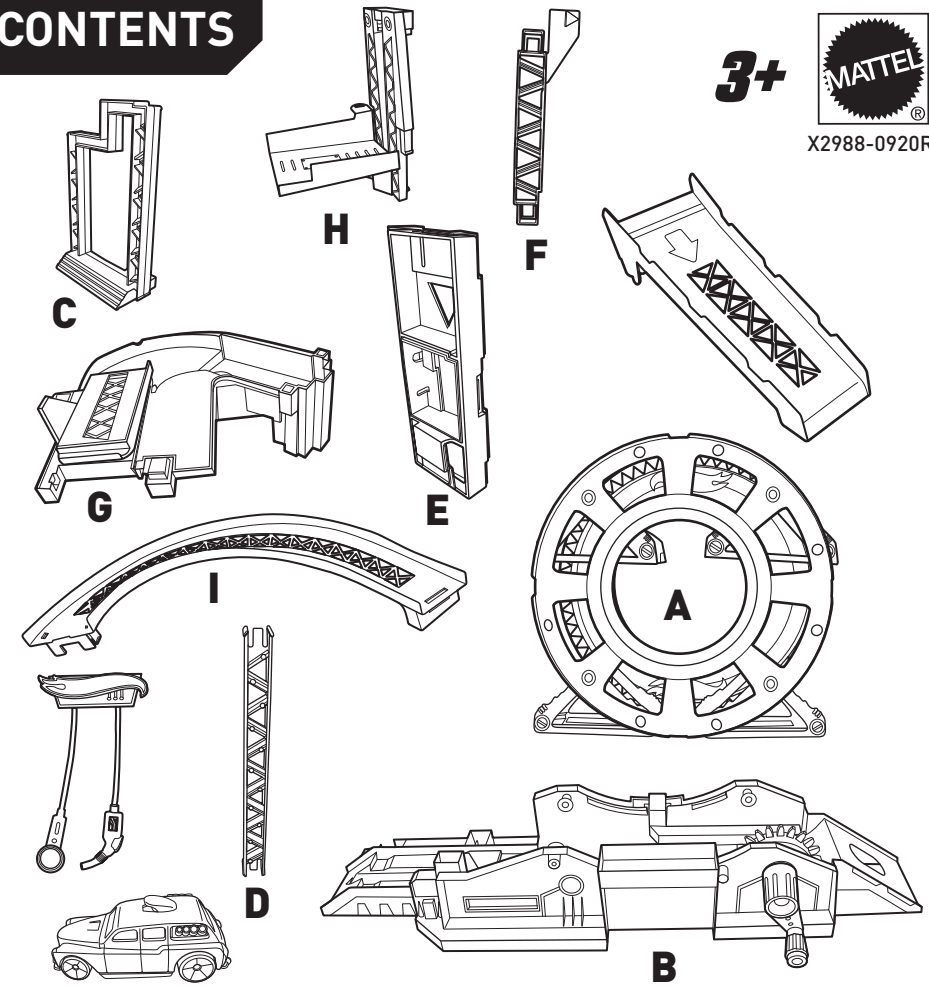


TURBO GARAGE™

INSTRUCTIONS

Keep these instructions for future reference as they contain important information.

CONTENTS

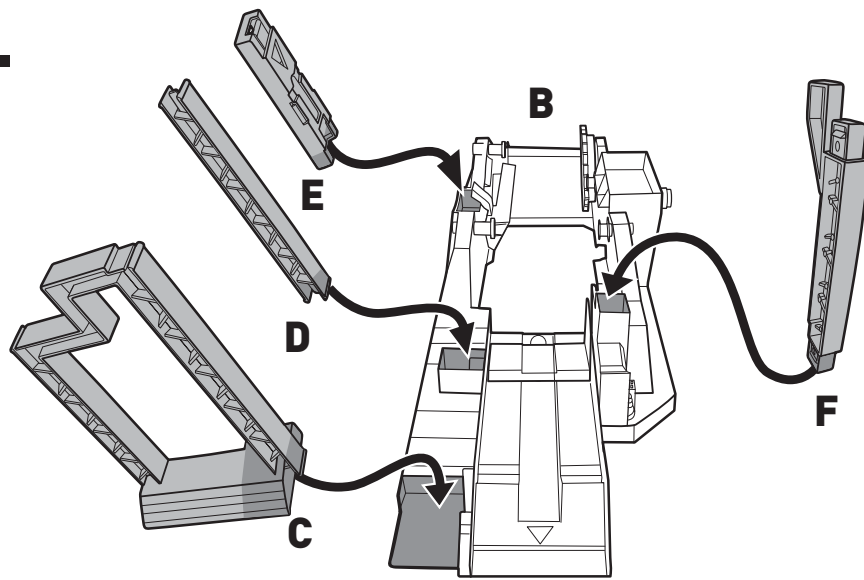


©2011 Mattel, Inc. All Rights Reserved. Mattel, Inc., 636 Girard Avenue, East Aurora, NY 14052, U.S.A. Consumer Relations 1-800-524-8697. Mattel U.K. Ltd., Vanwall Business Park, Maidenhead SL6 4UB. Helpline 01628 500303. Mattel Australia Pty. Ltd., Richmond, Victoria, 3121 Consumer Advisory Service - 1300 135 312. Mattel East Asia Ltd., Room 1106, South Tower, World Finance Centre, Harbour City, Tsimshatsui, HK, China. Diimport & Diedarkan Oleh: Mattel SEA Ptd Ltd.(993532-P) Lot 13.5, 13th Floor, Menara Lien Hoe, Persiaran Tropicana Golf Country Resort, 47410 PJ. Tel:03-78803817, Fax:03-78803867. service.mattel.com

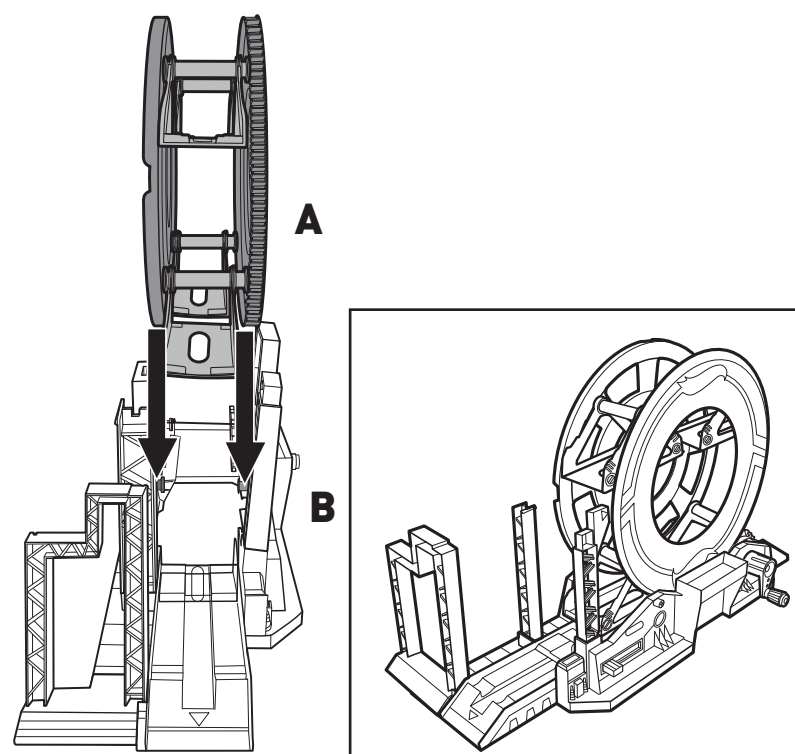
BACK

ASSEMBLY

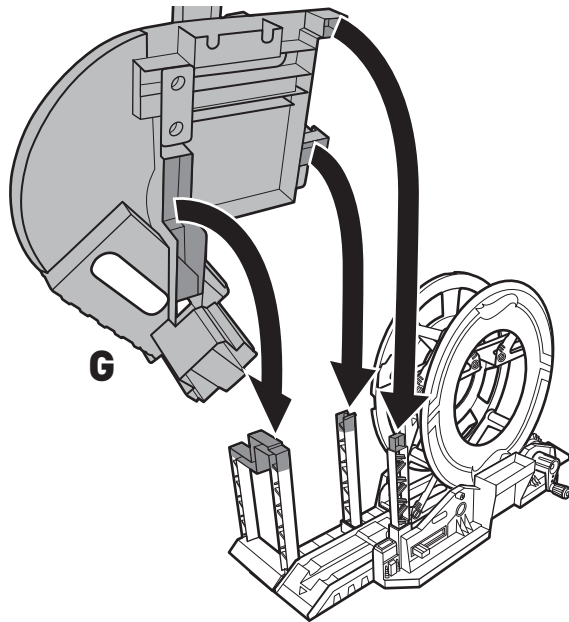
1.



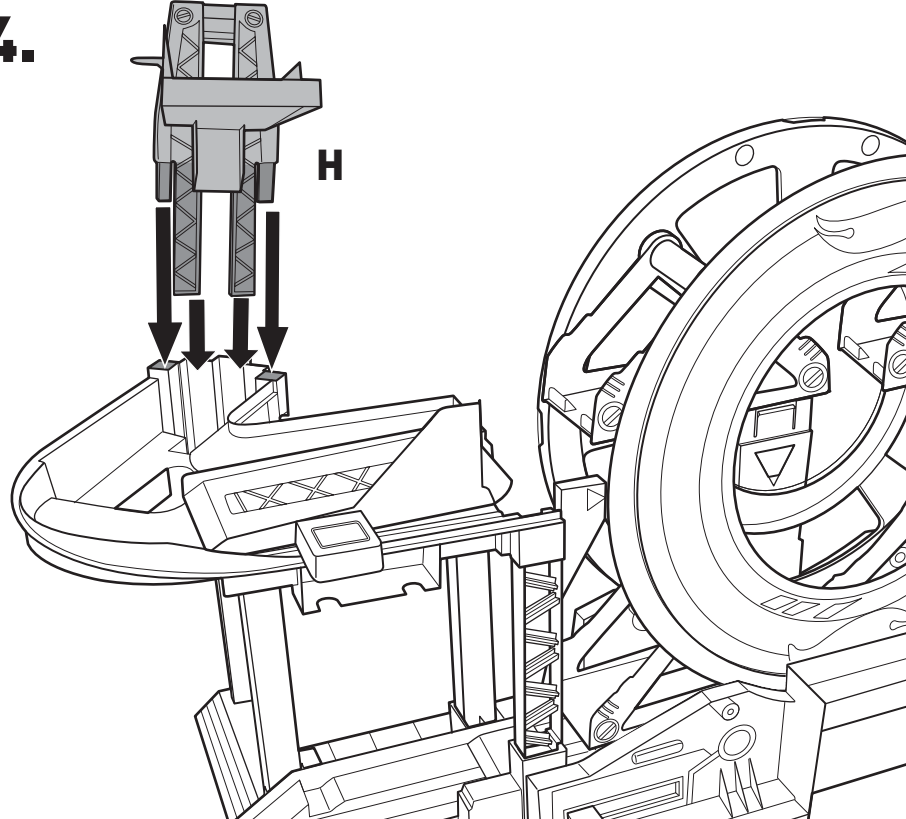
2.



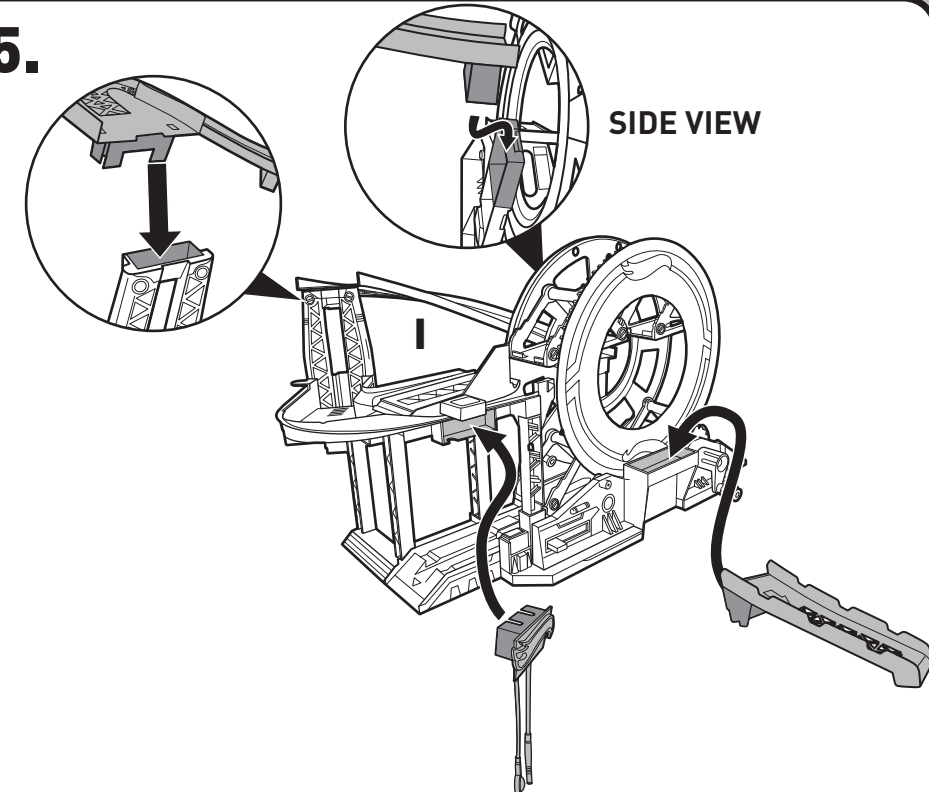
3.



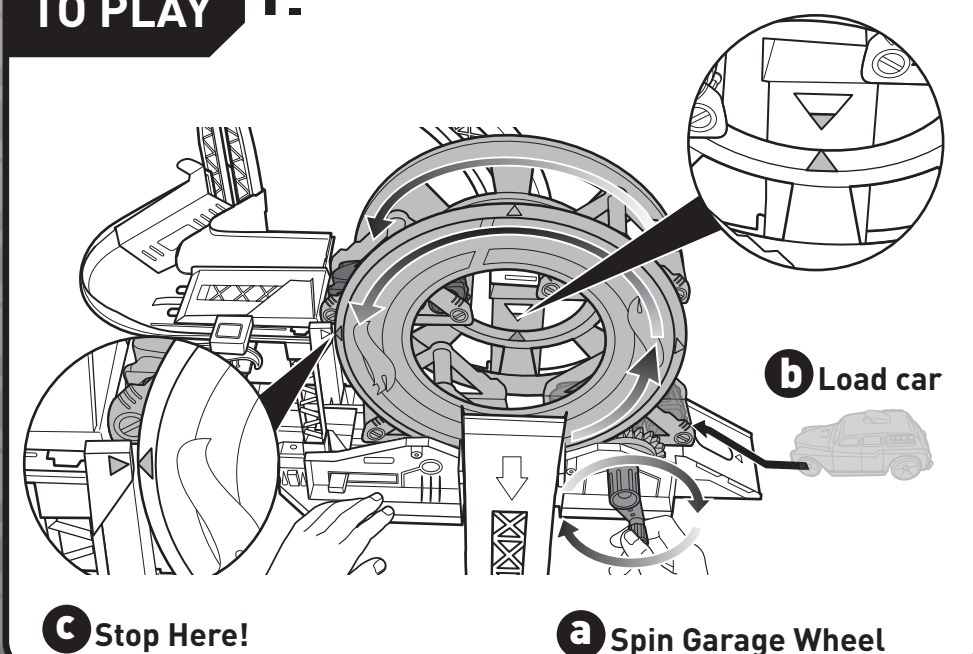
4.



5.



TO PLAY 1.



INSTRUCTION SHEET SPECIFICATIONS

Toy No.:	HW TURBO GARAGE
Part No.:	X2988
Trim Size:	0920
Folded Size:	16.5" W x 8.5" H
Type of Fold:	5.5" W x 8.5" H
# colors:	Single
Paper Stock:	One
Paper Weight:	Black
EDM No.:	White Offset
Date:	70 lb.
	APR. 14, 2011

