



Please keep this instruction sheet for future reference,  
as it contains important information.

Requires three "AAA" (LR03) **alkaline** batteries (not included) for operation.  
Adult assembly is required. Tool required: Phillips screwdriver (not included).

## Consumer Information



### CONSUMER ASSISTANCE

1-800-432-5437 (US & Canada)

1300 135 312 (Australia)



**service.fisher-price.com**

Fisher-Price, Inc., 636 Girard Avenue, East Aurora, NY 14052.

Hearing-impaired consumers: 1-800-382-7470.

#### **Outside the United States:**

Canada: Mattel Canada Inc., 6155 Freemont Blvd.,  
Mississauga, Ontario L5R 3W2; [www.service.mattel.com](http://www.service.mattel.com).

Great Britain: Mattel UK Ltd, Vanwall Business Park,  
Maidenhead SL6 4UB. Helpline: 01628 500303.  
[www.service.mattel.com/uk](http://www.service.mattel.com/uk)

Mattel Europa B.V., Gondel 1, 1186MJ Amstelveen, Nederland.

Australia: Mattel Australia Pty. Ltd., 658 Church Street,  
Locked Bag #870, Richmond, Victoria 3121 Australia.

New Zealand: 16-18 William Pickering Drive,  
Albany 1331, Auckland.

### Care

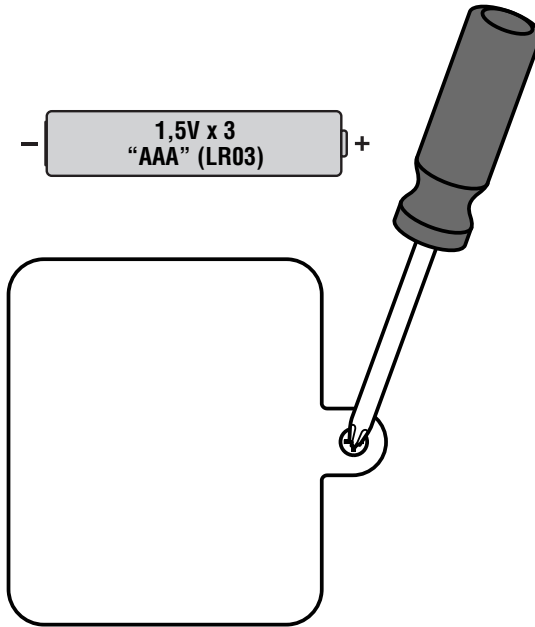
- Wipe this toy with a clean, damp cloth. Do not immerse.
- This toy has no consumer serviceable parts. Do not take apart.

©Disney

©2012 Mattel. All Rights Reserved.

© and ™ designate U.S. trademarks of Mattel, except as noted.

# Battery Installation



- 
- Locate the battery compartment door on the bottom of the toy.
  - Loosen the screw in the battery compartment door with a Phillips screwdriver and remove the door.
  - Insert three "AAA" (LR03) **alkaline** batteries.

**Hint:** We recommend using **alkaline** batteries for longer battery life.

- Replace the battery compartment door and tighten the screw. Do not over-tighten.
- If this toy begins to operate erratically, you may need to reset the electronics. Slide the power/volume switch off and then back on.
- When sounds become faint or stop, it's time for an adult to change the batteries.



- Protect the environment by not disposing of this product with household waste (2002/96/EC). Check your local authority for recycling advice and facilities.

## **Battery Safety Information**

**In exceptional circumstances, batteries may leak fluids that can cause a chemical burn injury or ruin your product. To avoid battery leakage:**

- Do not mix old and new batteries or batteries of different types: alkaline, standard (carbon-zinc) or rechargeable (nickel-cadmium).
- Insert batteries as indicated inside the battery compartment.
- Remove batteries during long periods of non-use. Always remove exhausted batteries from the product. Dispose of batteries safely. Do not dispose of this product in a fire. The batteries inside may explode or leak.
- Never short-circuit the battery terminals.
- Use only batteries of the same or equivalent type, as recommended.
- Do not charge non-rechargeable batteries.
- Remove rechargeable batteries from the product before charging.
- If removable, rechargeable batteries are used, they are only to be charged under adult supervision.

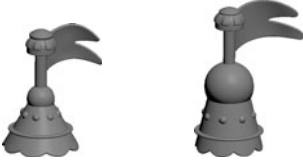
## Assembled Parts

### CAUTION

This package contains small parts. For adult assembly only.



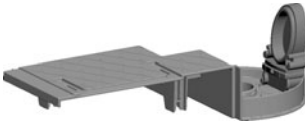
**Balcony**



**2 Flags**



**Clock Tower**



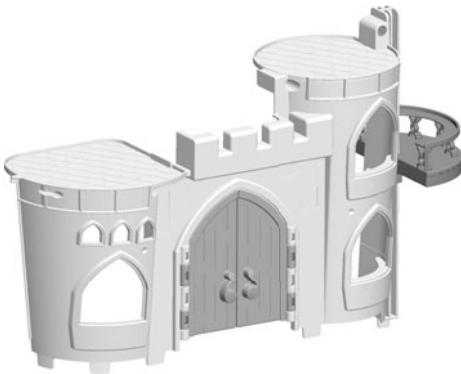
**Floor**



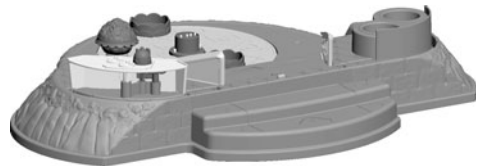
**Short Tower**



**Tall Tower**



**Wall**



**Base**

**Part not shown: Label Sheet**



3 mm x 15 mm Washer Head Screw – 2

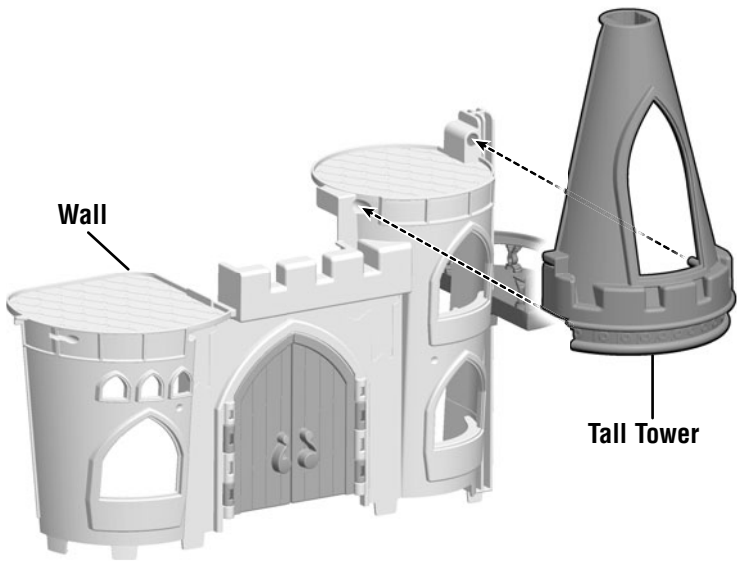


3 mm x 15 mm Screw – 7

**Shown Actual Size**

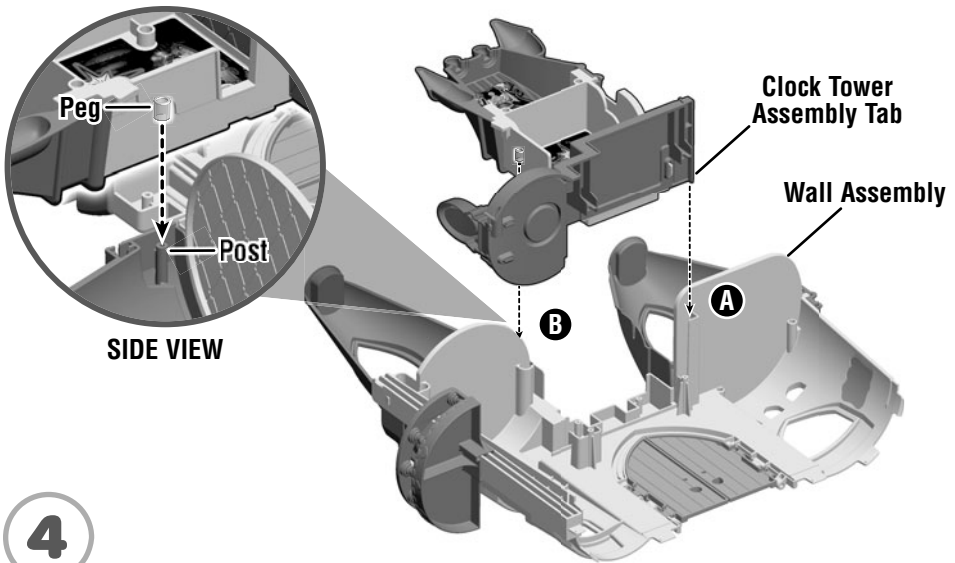
Tighten and loosen all screws with a Phillips screwdriver. Do not over-tighten.

# Assembly



1

- Fit the pegs on the tall tower into the openings in the wall.

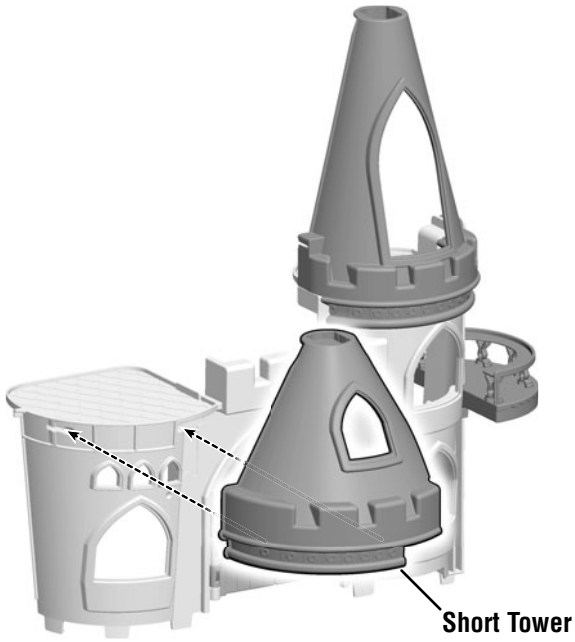


4

- Carefully lay the wall assembly on a flat surface with the inside facing up.
- Slide the tab on front edge of the clock tower assembly into the groove in the wall assembly **A**.
- Fit the peg on the side of the clock tower assembly onto the post on the tall tower **B**.

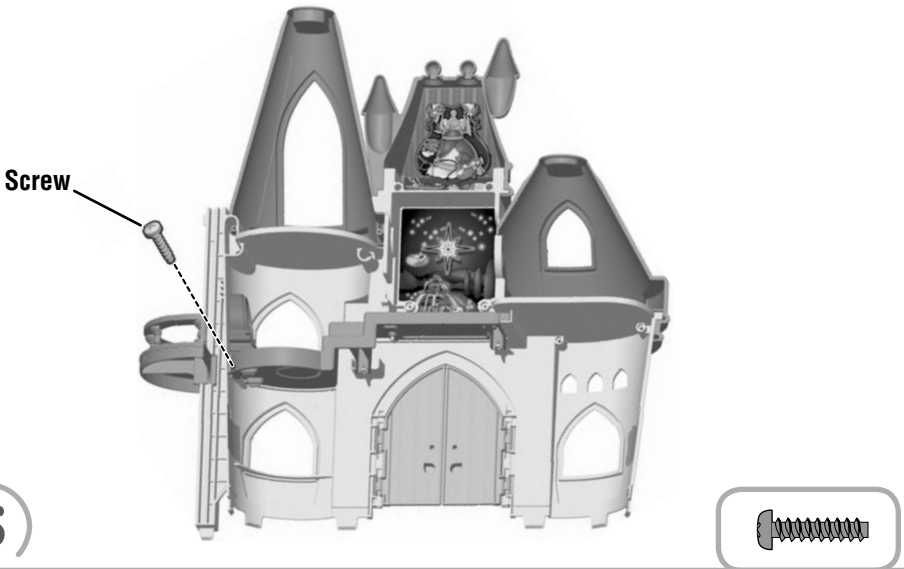
## Assembly

2



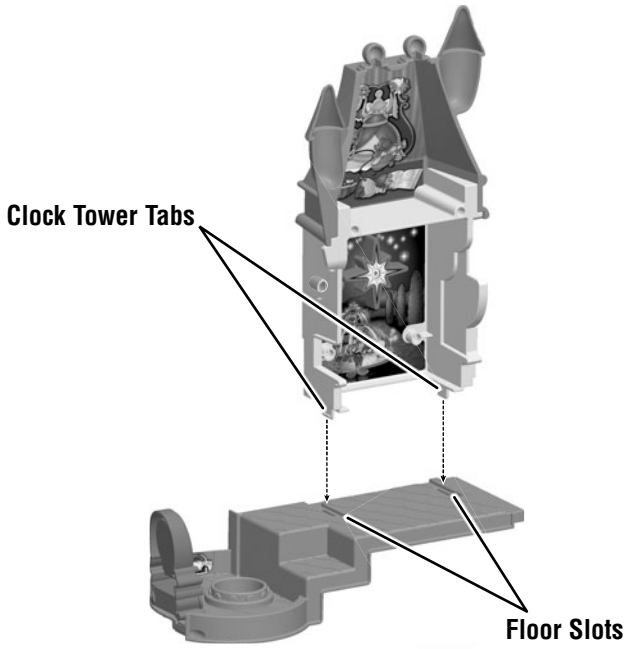
- Fit the pegs on the short tower into the openings in the wall.

5

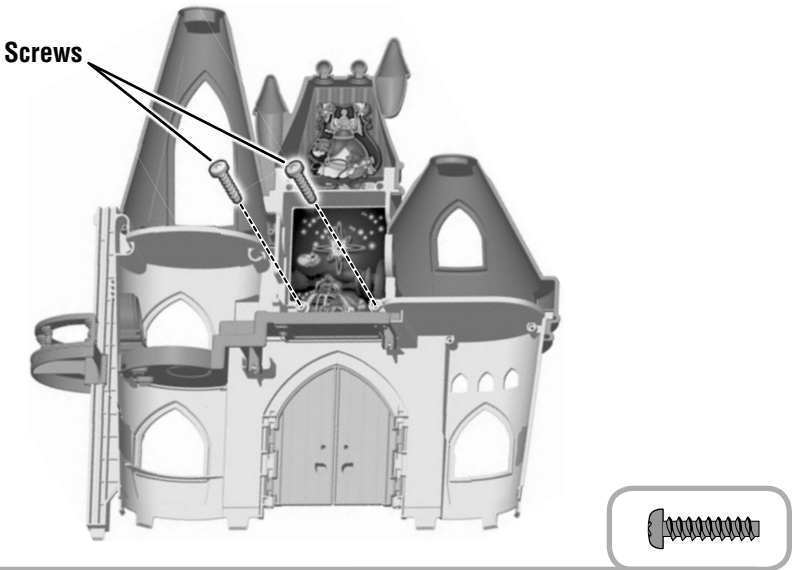


- Align the hole in the clock tower assembly with the post on the wall assembly. Insert a 3 mm x 15 mm screw into the post. Tighten the screw.

## Assembly



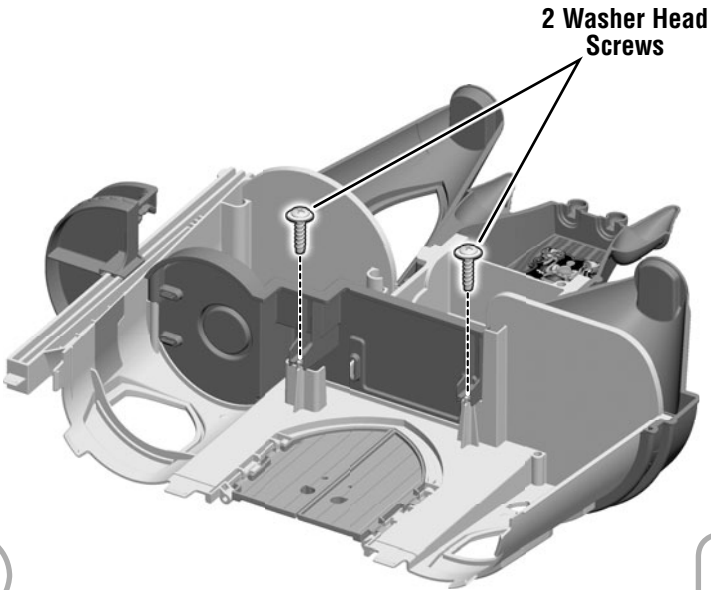
- Fit the tabs on the clock tower into the slots in the floor. Push to “**snap**” in place.



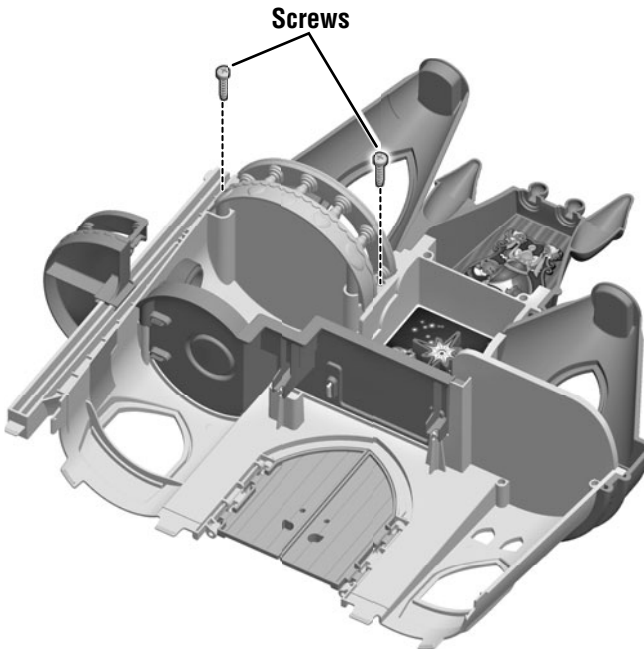
- Insert two 3 mm x 15 mm screws into the holes in the clock tower and tighten.



## Assembly

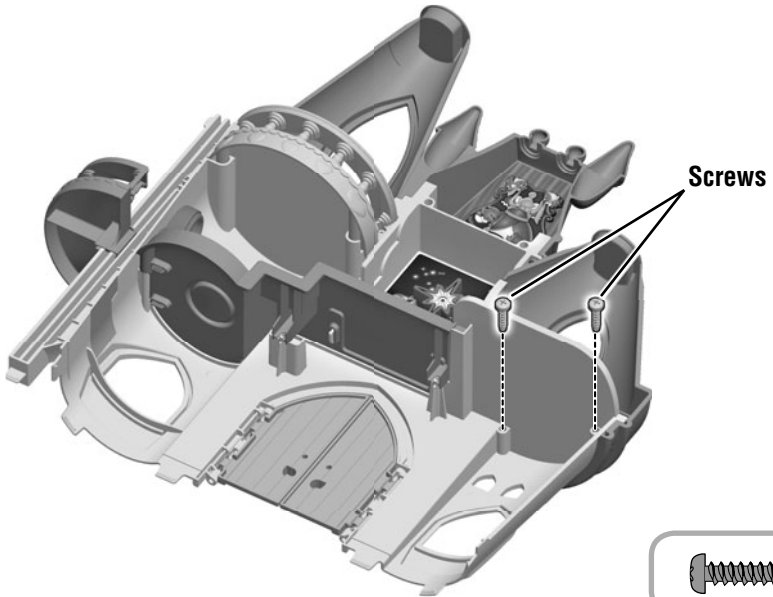


- Align the slots in the clock tower assembly with the holes in the posts in the wall assembly. Insert two 3 mm x 15 mm **washer head screws** and tighten.



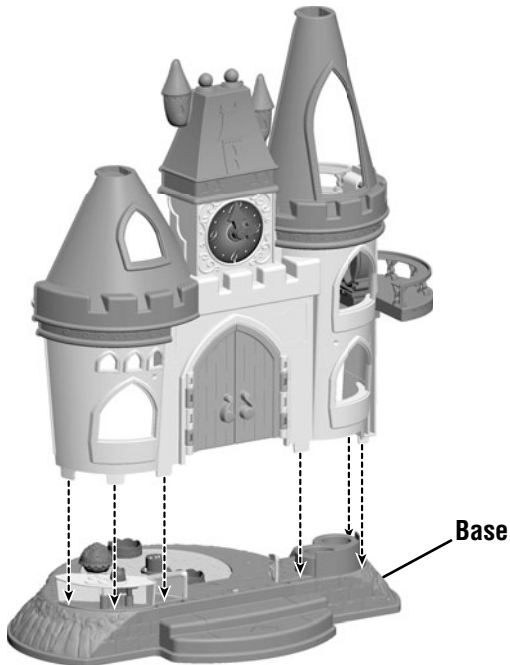
- Insert two 3 mm x 15 mm screws into the balcony and tighten.

## Assembly



8

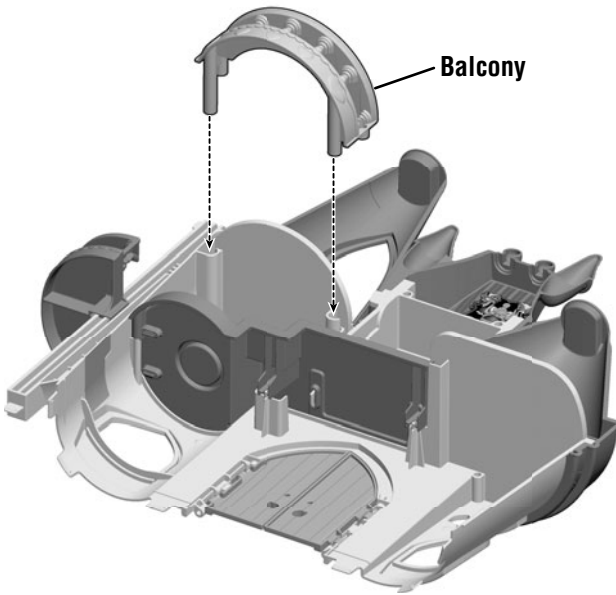
- Insert two 3 mm x 15 mm screws into the wall assembly and tighten.



11

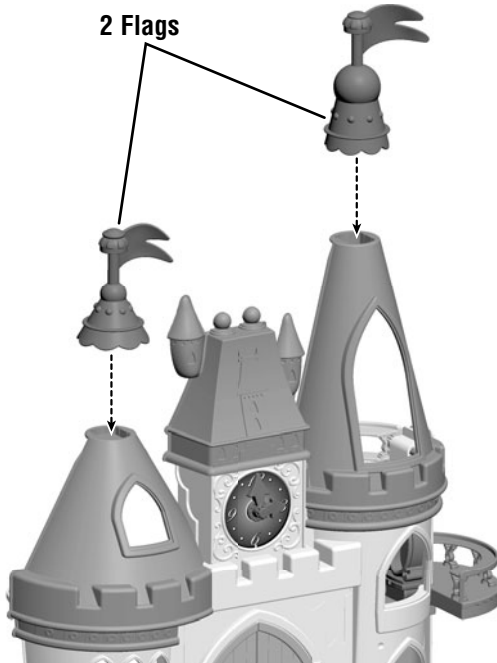
- Fit the tabs on the wall assembly into the slots on the base. Push to “**snap**” in place.

## Assembly



9

- Fit the balcony onto the wall.

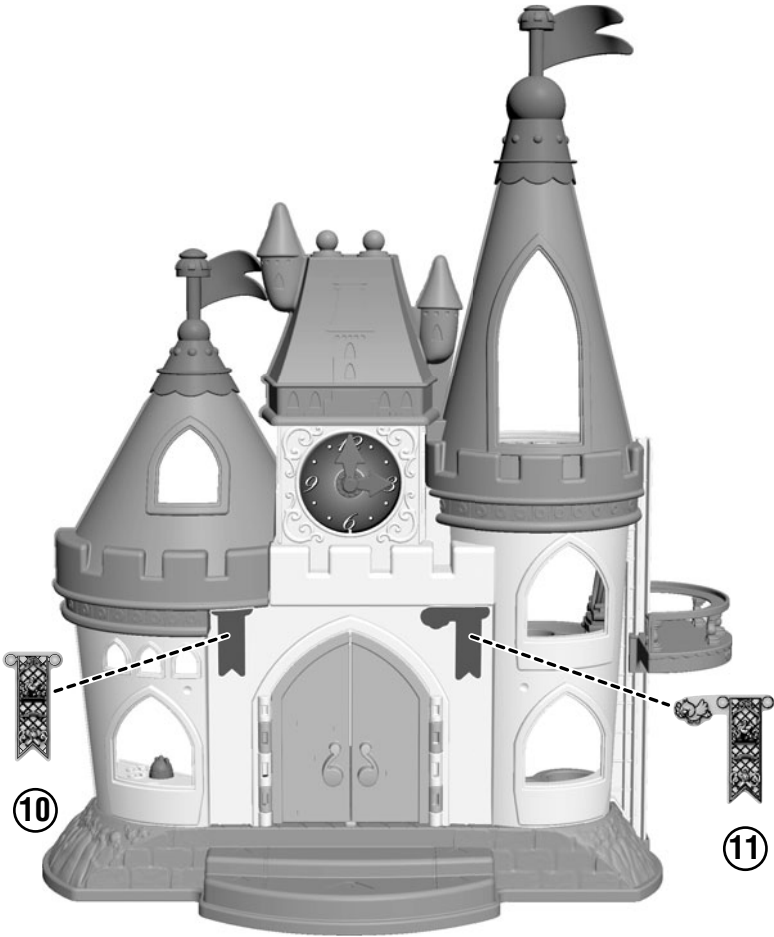


12

- Place the flags on top of the towers.

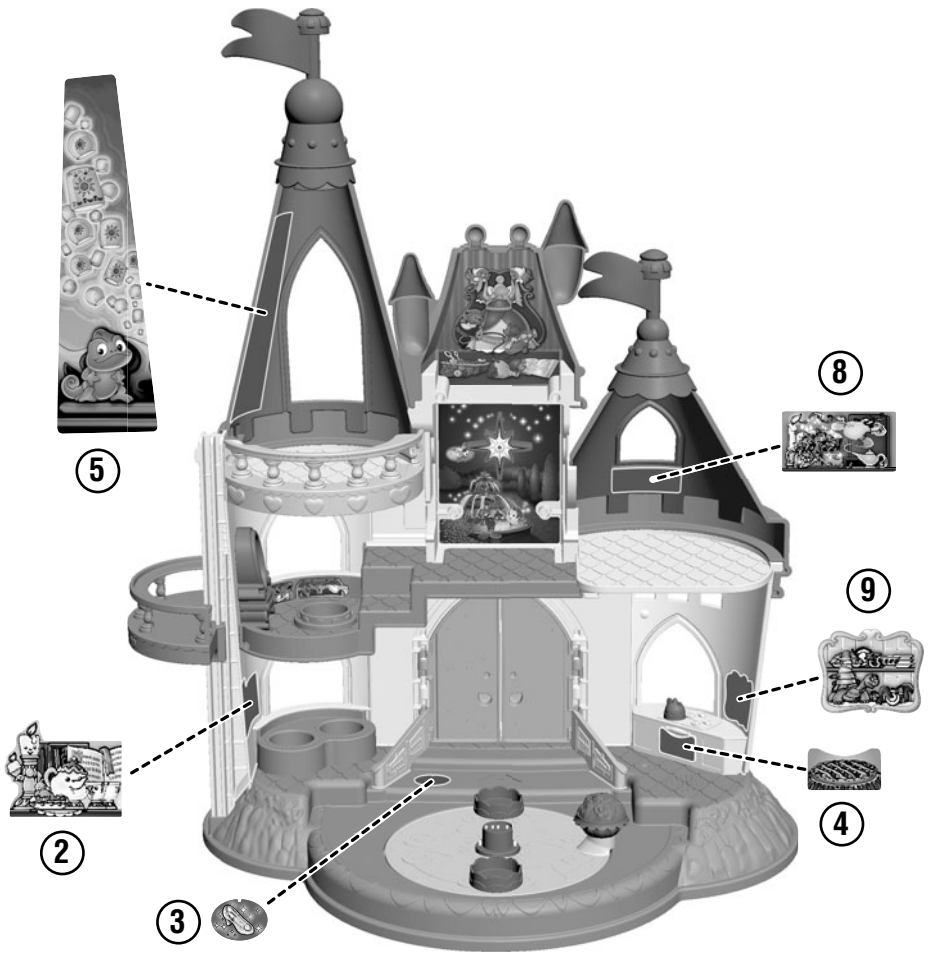
## Decoration

- Place the labels exactly as shown in the illustrations.
- For best results, avoid repositioning a label once it has been applied.

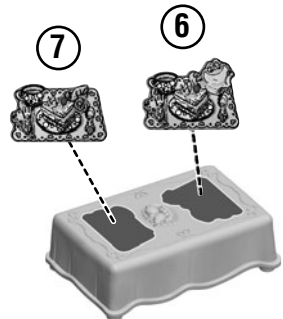
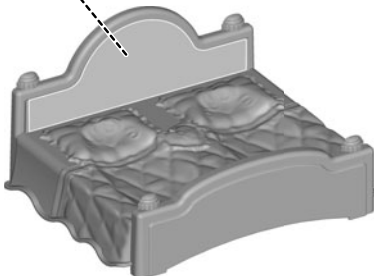


Front

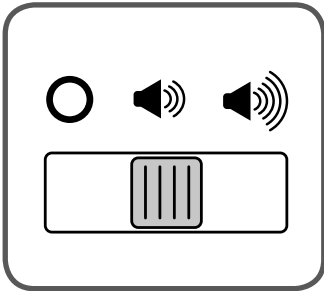
# Decoration

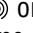
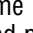



Back



Bed



- Slide the power/volume switch to ON with low volume  or ON with high volume . When you are finished playing with this toy, slide the power/volume switch OFF .



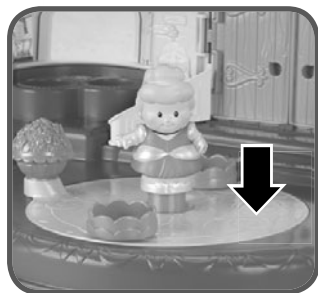
- Press the tea kettle for whistling sounds.



s...Endless play!



Open the doors for more sounds.



- Place a figure on the dance floor and press down. The castle recognizes and responds to the princess! Additional figures sold separately and subject to availability.



- Spin the dance floor to see the princesses dance and hear more sounds.

# Consumer Information

## FCC Statement (United States Only)

This equipment has been tested and found to comply with the limits for a Class B digital device, pursuant to Part 15 of the FCC Rules. These limits are designed to provide reasonable protection against harmful interference in a residential installation. This equipment generates, uses and can radiate radio frequency energy and, if not installed and used in accordance with the instructions, may cause harmful interference to radio communications. However, there is no guarantee that interference will not occur in a particular installation. If this equipment does cause harmful interference to radio or television reception, which can be determined by turning the equipment off and on, the user is encouraged to try to correct the interference by one or more of the following measures:

- Reorient or relocate the receiving antenna.
- Increase the separation between the equipment and receiver.
- Consult the dealer or an experienced radio/TV technician for help.

Note: Changes or modifications not expressly approved by the manufacturer responsible for compliance could void the user's authority to operate the equipment.

This device complies with Part 15 of the FCC Rules. Operation is subject to the following two conditions: (1) this device may not cause harmful interference and (2) this device must accept any interference received, including interference that may cause undesired operation.

## ICES-003

This Class B digital apparatus complies with Canadian ICES-003. Operation is subject to the following two conditions: (1) this device may not cause harmful interference and (2) this device must accept any interference received, including interference that may cause undesired operation.

## NMB-003

Cet appareil numérique de la classe B est conforme à la norme NMB-003 du Canada.

L'utilisation de ce dispositif est autorisée seulement aux conditions suivantes :

(1) il ne doit pas produire de brouillage et (2) l'utilisateur du dispositif doit être prêt à accepter tout brouillage radioélectrique reçu, même si ce brouillage est susceptible de compromettre le fonctionnement du dispositif.