



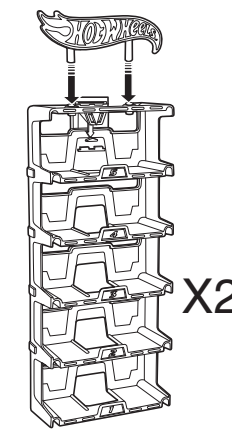
**INSTRUCTIONS**

Keep these instructions for future reference as they contain important information.

**CONTENTS**

- Includes.
- 1. DRIFT RALLY SPINOUT™
- 2. DAREDEVIL CURVE™
- 3. DOWNHILL FLIP DROP™
- 4. Starter Set

NOTE: For contents of DRIFT RALLY SPINOUT™, DAREDEVIL CURVE™, DOWNHILL FLIP DROP™ and Starter Set, refer to the respective Hanging Template.



X2

4+



X7492-0920

X5

**WARNING:**  
CHOKING HAZARD - Small parts.  
Not for children under 3 years.

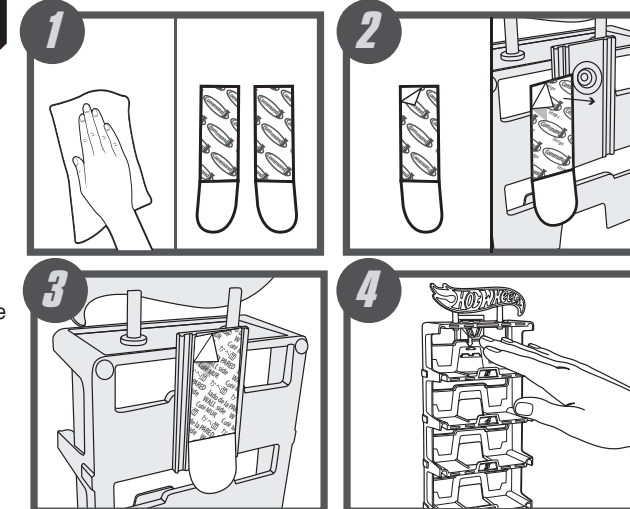
**DISPLAY RACK**

NOTE TO PARENTS: Make sure wall surface is clean and dry, 3M recommends isopropyl rubbing alcohol. Do not use household cleaners.

Remove red liner from Command™ Strip and apply to back of display rack hanging plate. Make sure the strip tab is accessible under the plate for future removal.

Remove black liner from Command™ Strip.

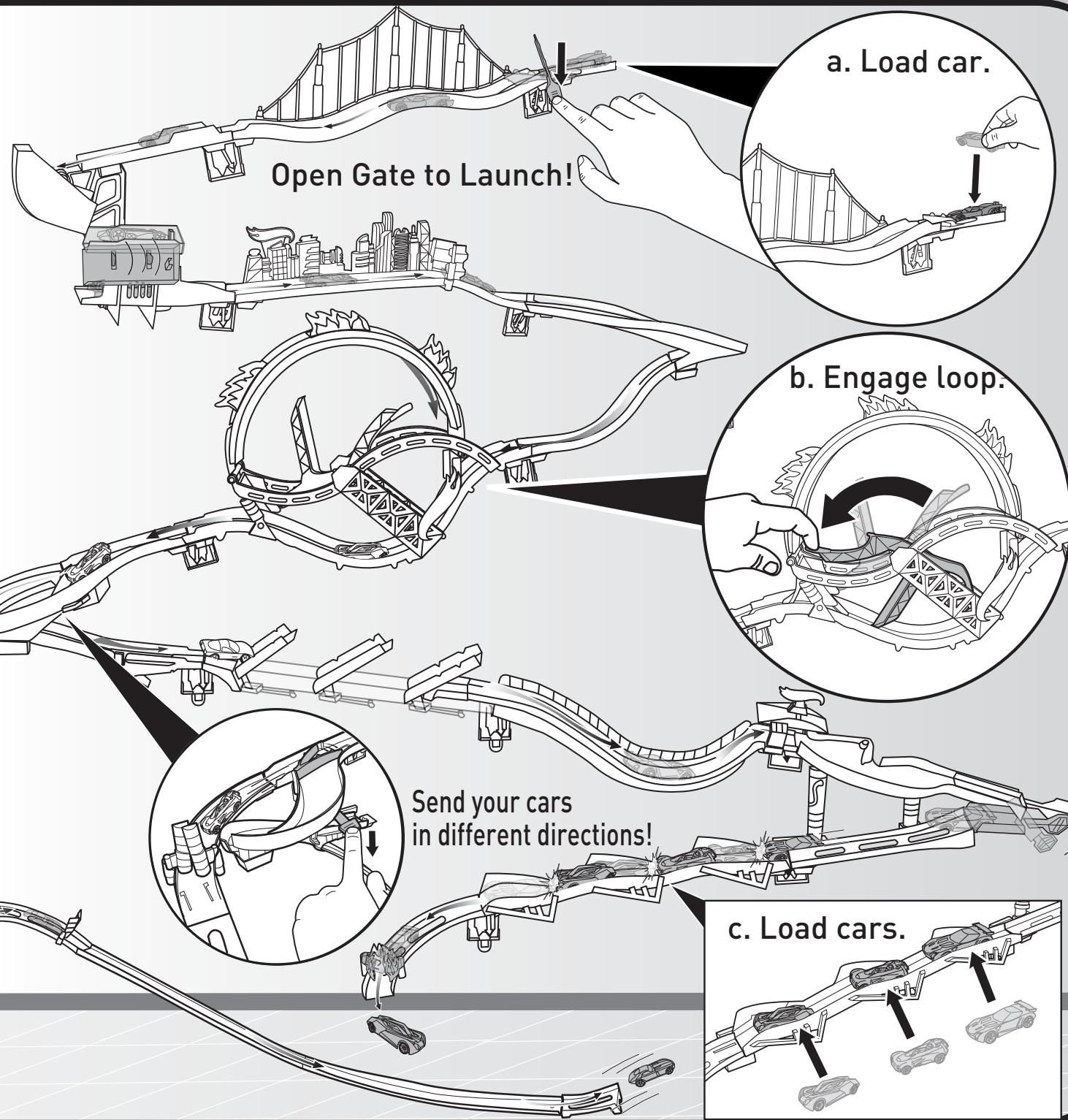
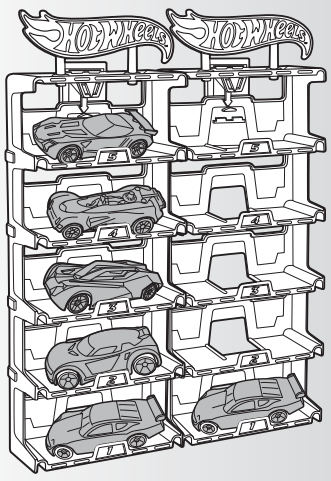
Press display rack to surface and hold firmly for 30 seconds.



©2011 Mattel. All Rights Reserved. Mattel, Inc., 636 Girard Avenue, East Aurora, NY 14052, U.S.A. Consumer Relations 1-800-524-8697. Mattel U.K. Ltd., Vanwall Business Park, Maidenhead SL6 4UB. Helpline 01628 500303. Mattel Australia Pty. Ltd., Richmond, Victoria. 3121 Consumer Advisory Service - 1300 135 312. Mattel East Asia Ltd., Room 1106, South Tower, World Finance Centre, Harbour City, Tsimshatsui, HK, China. Dimport & Diedarkan Oleh: Mattel SEA Ptd Ltd.(993532-P) Lot 13.5, 13th Floor, Menara Lien Hoe, Persiaran Tropicana Golf Country Resort, 47410 PJ. Tel:03-78803817, Fax:03-78803867. service.mattel.com

**TO PLAY**

**NOTE TO PARENTS:** If assembled set is too high for your child, remove Downhill Flip Drop™ from the wall. Replace Daredevil Curve™ with Downhill Flip Drop™ for more variety.



a. Load car.

Open Gate to Launch!

b. Engage loop.

Send your cars in different directions!

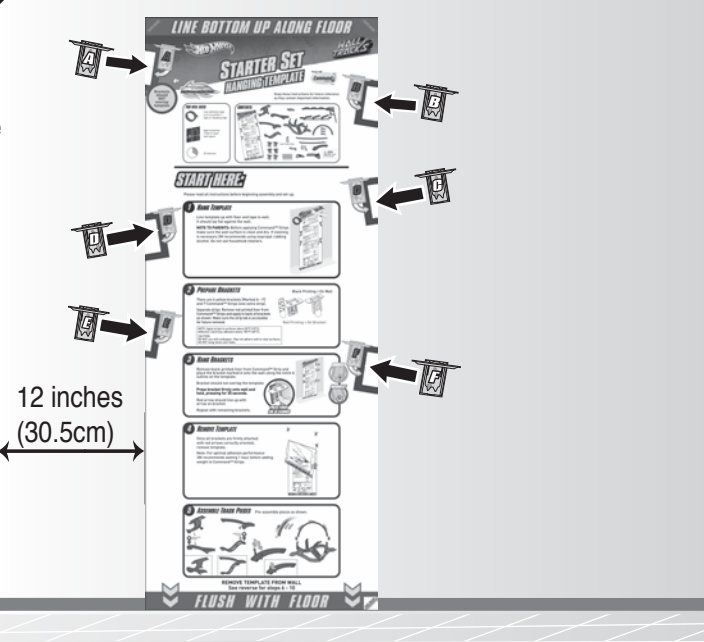
c. Load cars.

FRONT

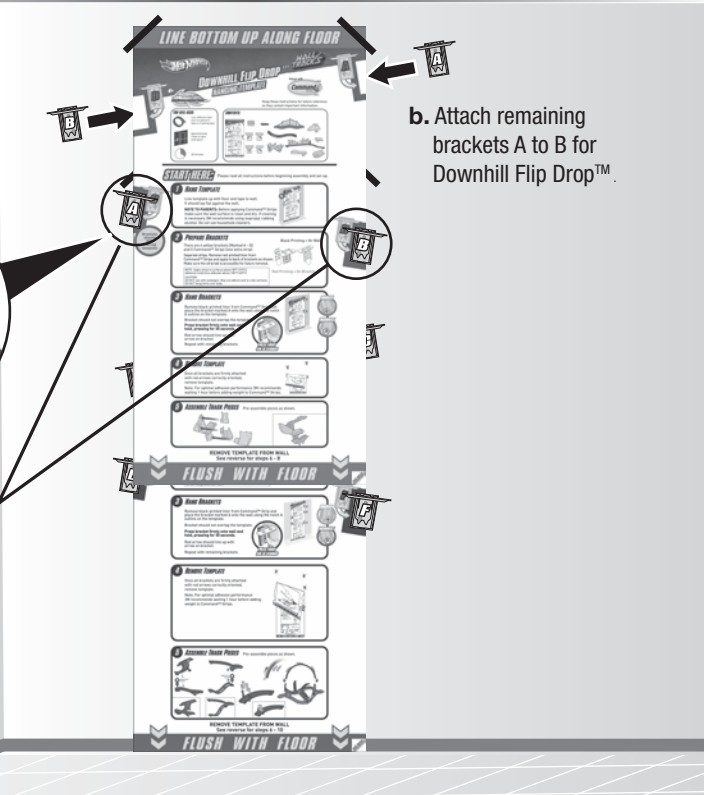
**CONNECT**

Template should be 12 inches from the corner as shown.

**1.** Tape Starter Set Template to wall and follow template instructions to attach brackets A to F.



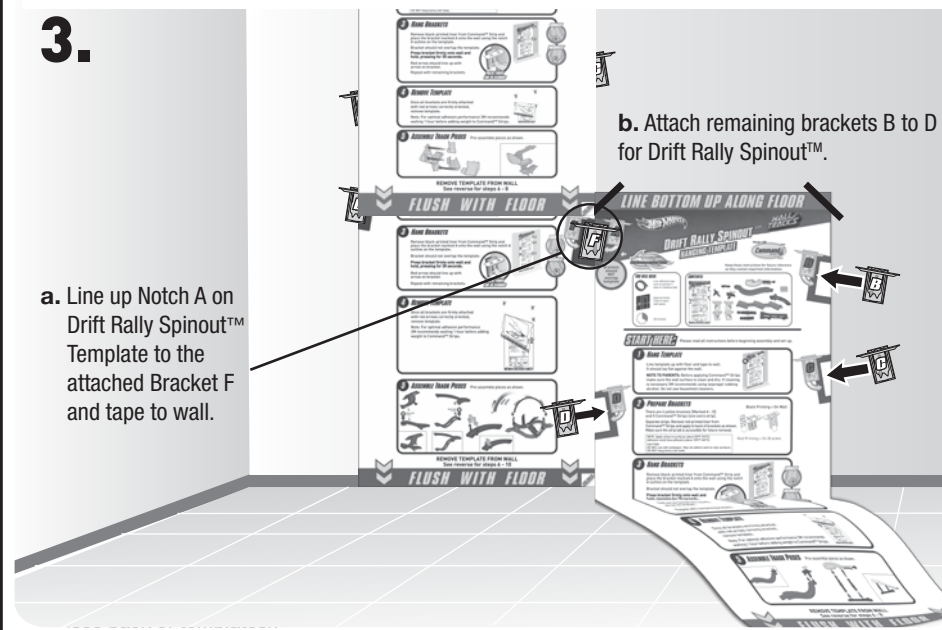
**2.** a. Line up Notch C/D on Downhill Flip Drop™ Template to the attached Bracket A/B and tape to wall.  
b. Attach remaining brackets A to B for Downhill Flip Drop™.



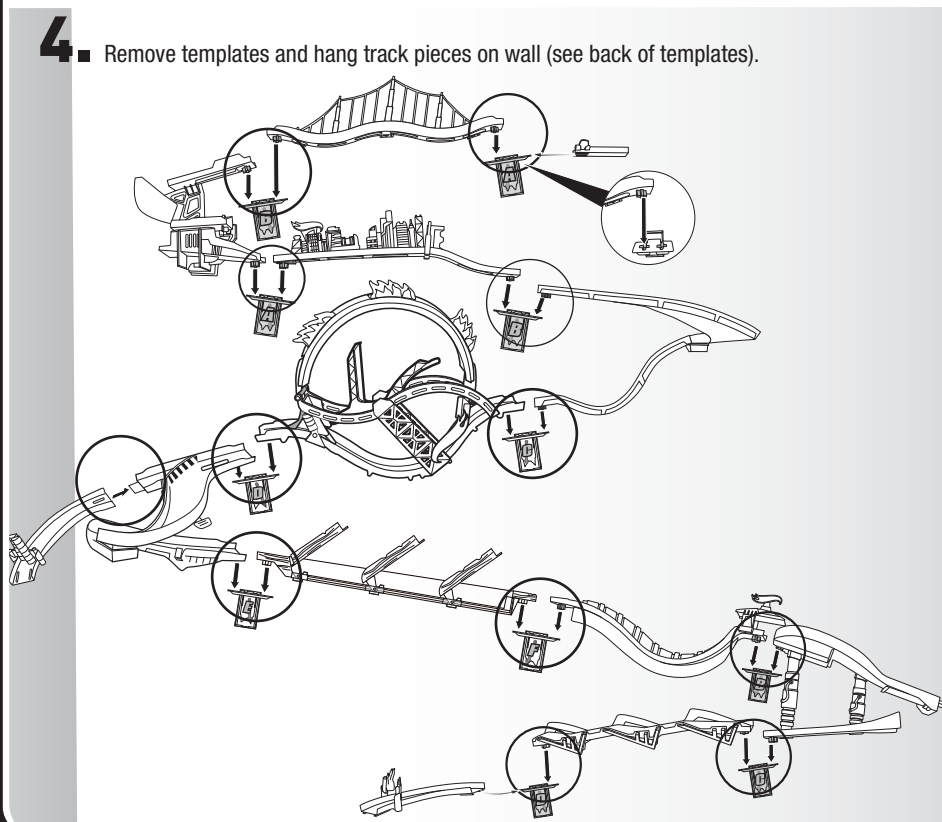
**3.**

a. Line up Notch A on Drift Rally Spinout™ Template to the attached Bracket F and tape to wall.

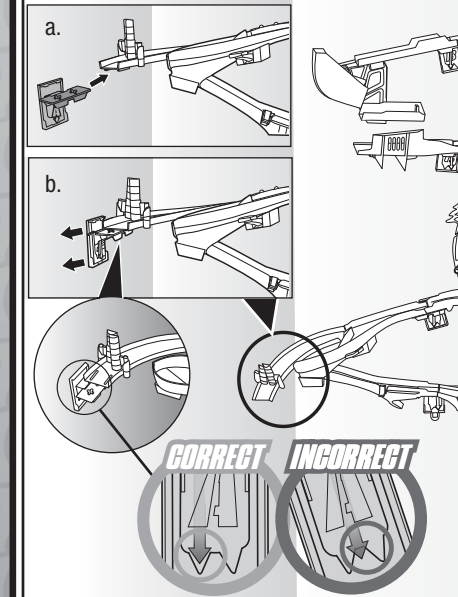
b. Attach remaining brackets B to D for Drift Rally Spinout™.



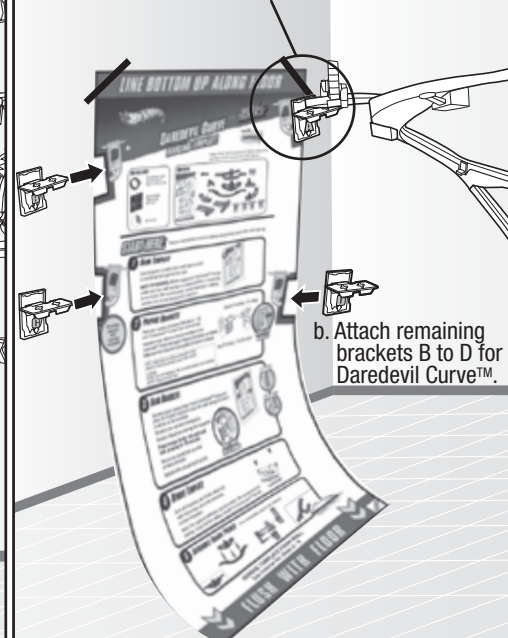
**4.** Remove templates and hang track pieces on wall (see back of templates).



**5.** Insert Bracket A from Daredevil Curve™ at the end of the Starter Set left-hand curve and attach to wall.

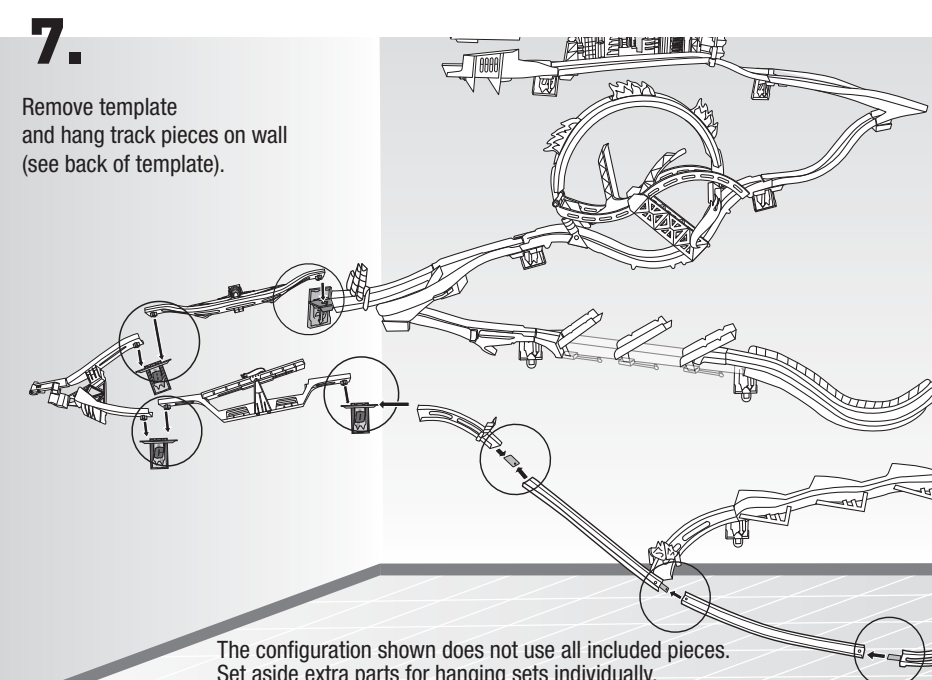


**6.** a. Line up Notch A on Daredevil Curve™ Template to the attached Bracket A and tape to wall.  
b. Attach remaining brackets B to D for Daredevil Curve™.



**7.**

Remove template and hang track pieces on wall (see back of template).



The configuration shown does not use all included pieces. Set aside extra parts for hanging sets individually.

BACK

**INSTRUCTION SHEET SPECIFICATIONS**

Toy No.: HW ALL-IN-ONE TRACK PACK  
 Toy No.: X7492  
 Part No.: 0920  
 Trim Size: 16.5" W x 8.5" H  
 Folded Size: 5.5" W x 8.5" H  
 Type of Fold: Single  
 # colors: One  
 Colors: Black  
 Paper Stock: White Offset  
 Paper Weight: 70 lb.  
 EDM No.:  
 Date: APR. 14, 2011

**2 PANEL Folding Dummy**

