



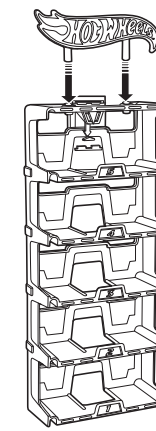
# MID-AIR BLAST™

## INSTRUCTIONS

Keep these instructions for future reference as they contain important information.

### CONTENTS

- Includes:  
 1. MID-AIR MADNESS™ Set  
 2. BOARDWALK BLAST™ Set



5+



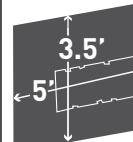
X8122-0920

NOTE: For contents of MID-AIR MADNESS™ and BOARDWALK BLAST™ sets, refer to the respective Instructions Sheet.

### YOU WILL NEED:



Low-adhesive tape such as painter's tape or masking tape



Approximately 5 feet by 3.5 feet of open wall space



20+ minutes



©2012 Mattel. All Rights Reserved. Mattel, Inc., 636 Girard Avenue, East Aurora, NY 14052, U.S.A. Consumer Relations 1-800-524-8697. Mattel U.K. Ltd., Vanwall Business Park, Maidenhead SL6 4UB. Helpline 01629 500303. Mattel Australia Pty. Ltd., Richmond, Victoria, 3121. Consumer Advisory Service 1300 135 312. Mattel East Asia Ltd., Room 1106, South Tower, World Finance Centre, Harbour City, Tsimshatsui, HK, China. Distributor & Diederkan Oleh: Mattel SEA Ptd Ltd (993532-P) Lot 13.5, 13th Floor, Menara Lien Hoe, Persiaran Tropicana Golf Country Resort, 47410 PJ. Tel: 03-78803817, Fax: 03-78803867. service.mattel.com

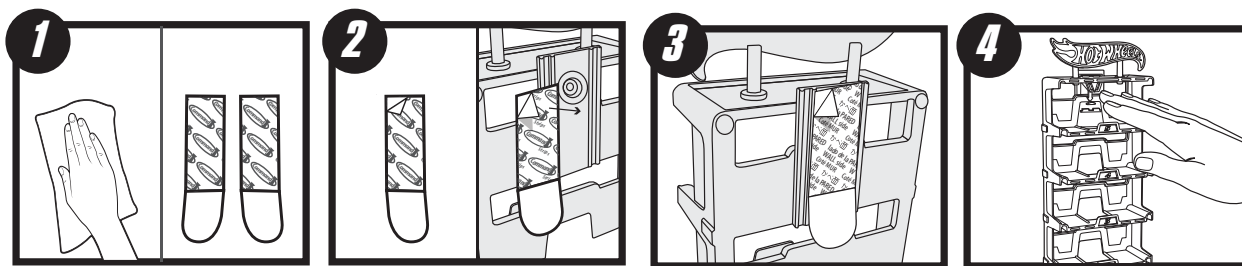
### DISPLAY RACK

NOTE TO PARENTS: Make sure wall surface is clean and dry. 3M recommends isopropyl rubbing alcohol. Do not use household cleaners.

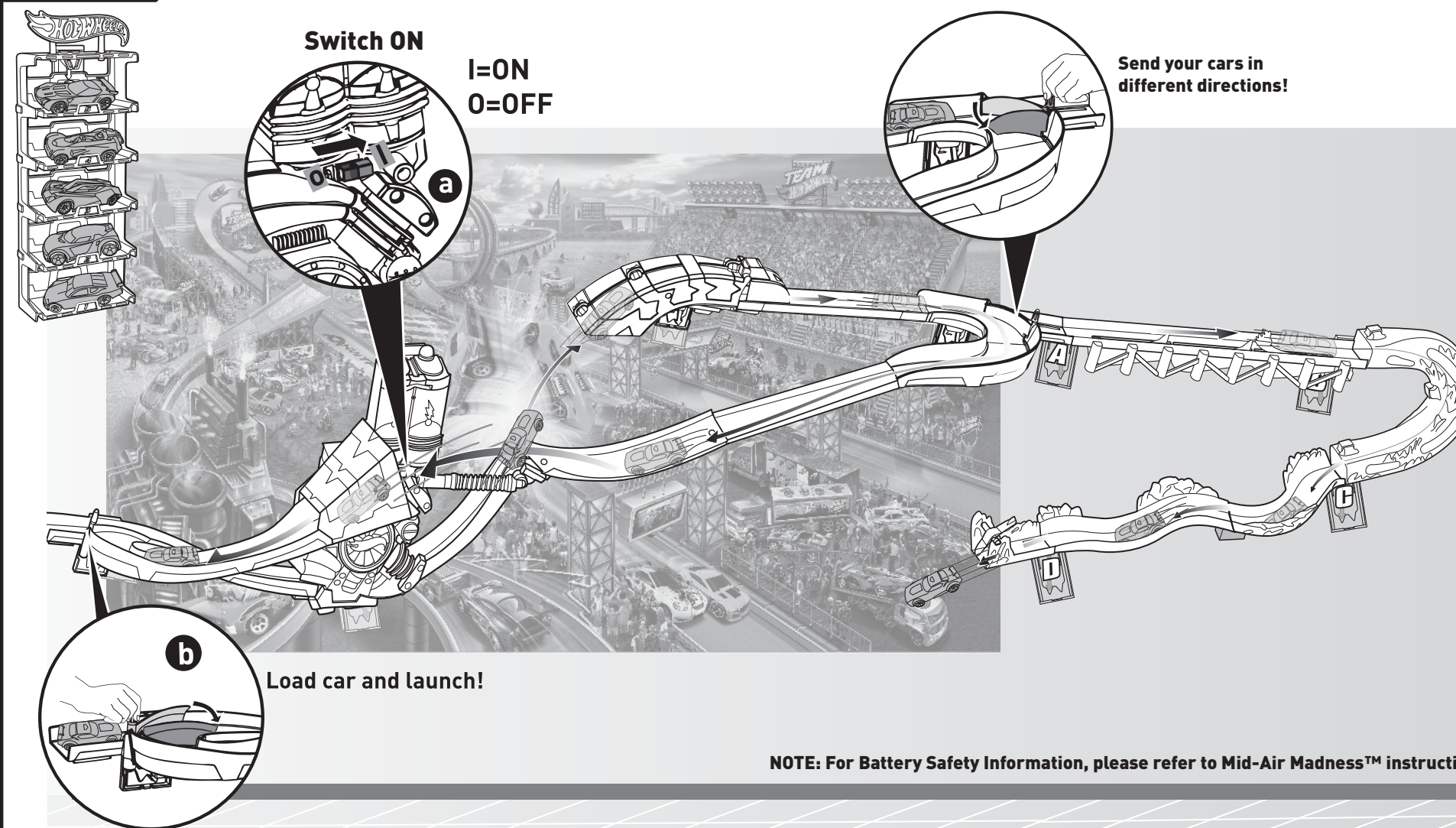
Remove red-printed liner from Command™ Strip and apply to back of display rack hanging plate. Make sure the strip tab is accessible under the plate for future removal.

Remove black-printed liner from Command™ Strip.

Press display rack to surface and hold firmly for 30 seconds.



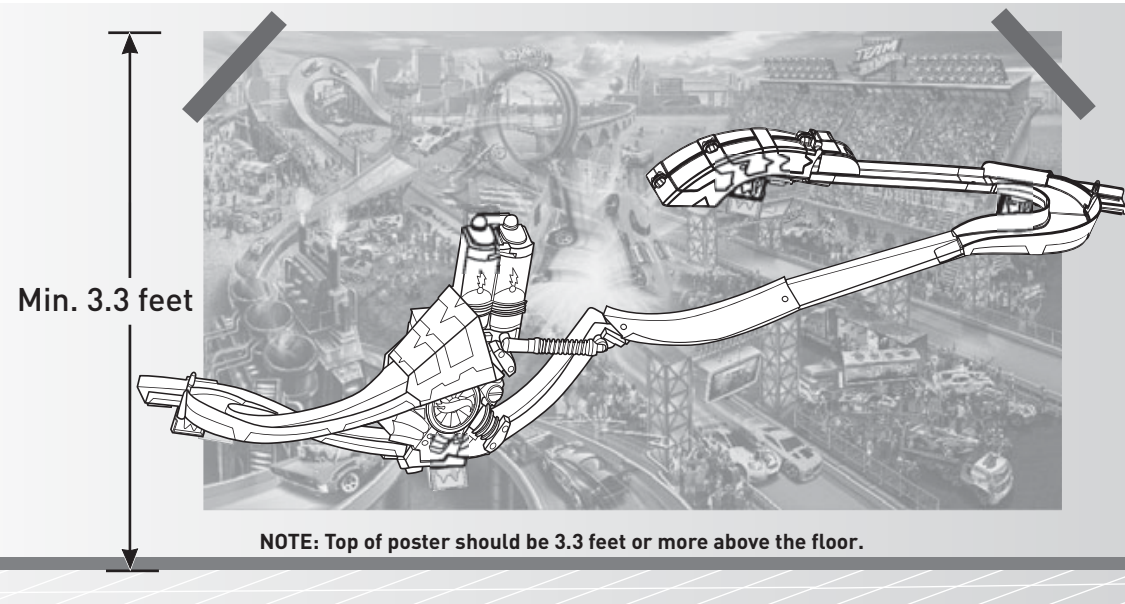
### TO PLAY



FRONT

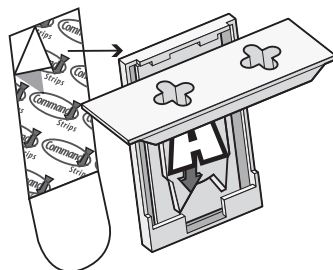
### CONNECT

1. Follow the Mid-Air Madness™ instructions to attach the poster and track set onto the wall.

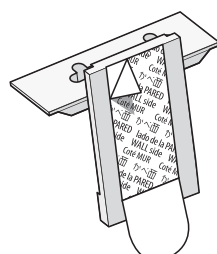


2. Peel off red-printed liner from Command™ Strip and apply to back of Bracket A.

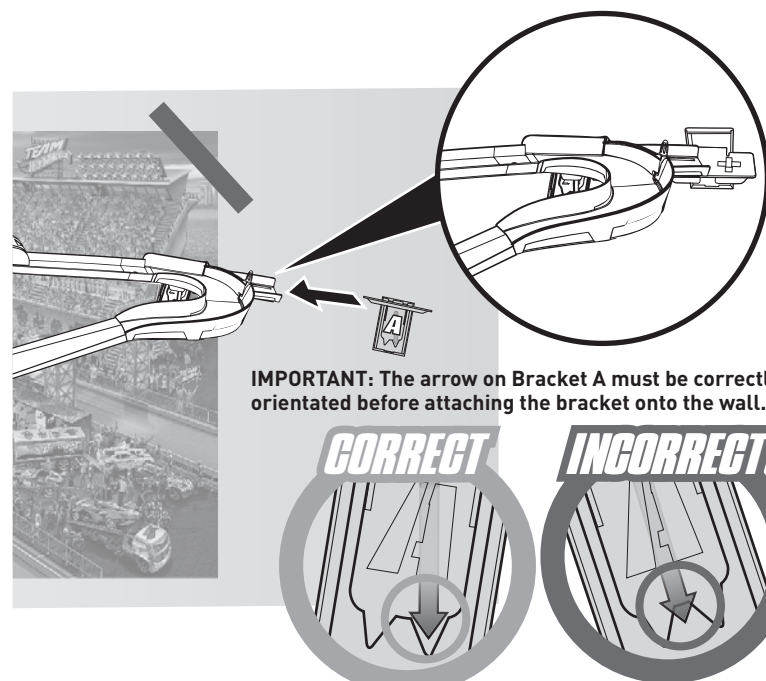
Red Printing = On Bracket



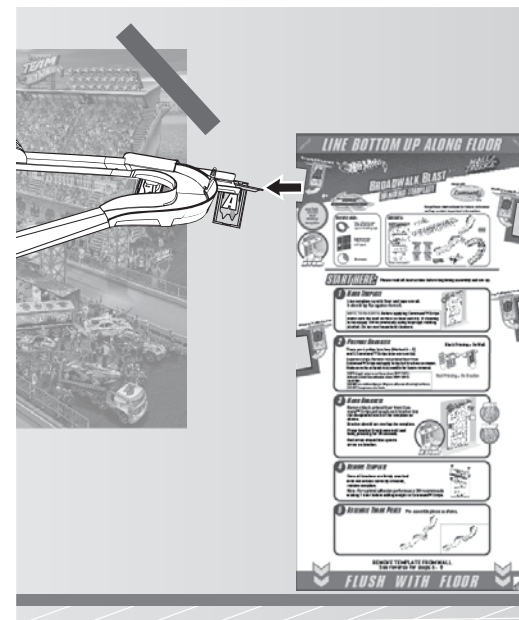
Black Printing = On Wall



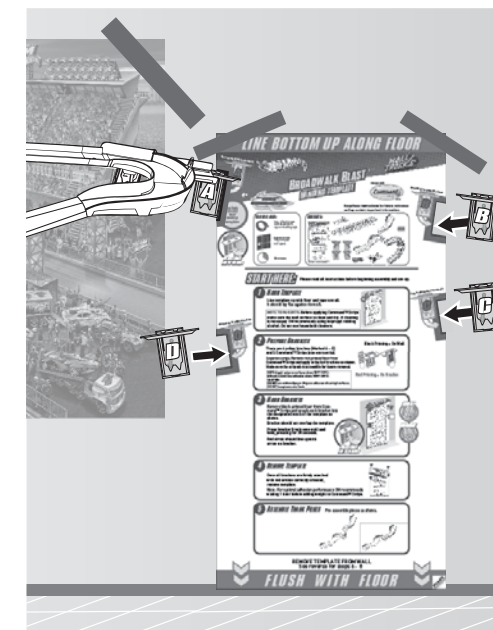
3. Peel off black-printed liner from Bracket A and connect it to Mid-Air Madness™ track set as shown.



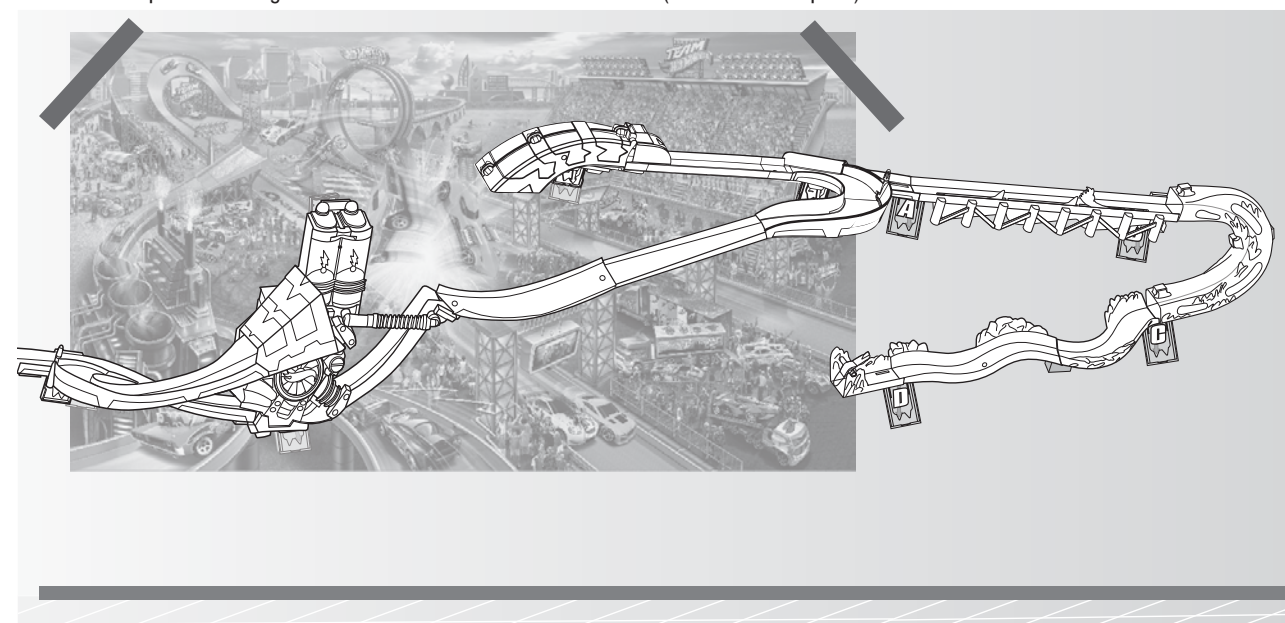
4. a. Line up Notch A on Boardwalk Blast™ Template to the attached Bracket A and tape to wall.



b. Attach remaining brackets B to D.



5. Remove template and hang Boardwalk Blast™ track set onto the wall (see back of template).



The configuration shown does not use all included pieces. Set aside extra parts for hanging sets individually.

BACK

### INSTRUCTION SHEET SPECIFICATIONS

Toy No.: HW ALL-IN-ONE TRACK PACK  
 Toy No.: X8122  
 Part No.: 0920  
 Trim Size: 16.5" W x 8.5" H  
 Folded Size: 5.5" W x 8.5" H  
 Type of Fold: Single  
 # colors: One  
 Colors: Black  
 Paper Stock: White Offset  
 Paper Weight: 70 lb.  
 EDM No.:  
 Date: APR. 14, 2011

### 2 PANEL Folding Dummy

