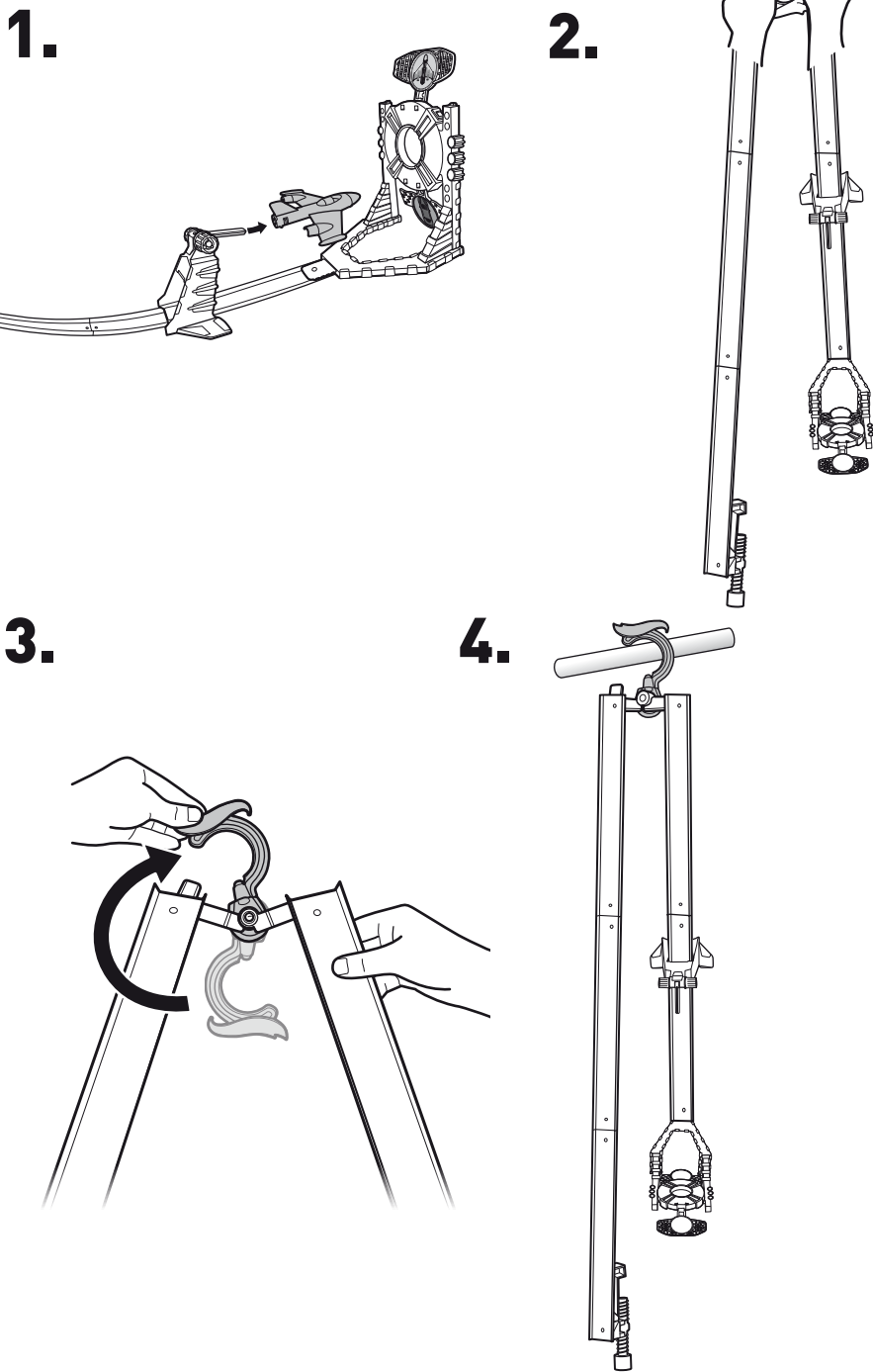


FOLD UP & STORE



JET RACE™

5+

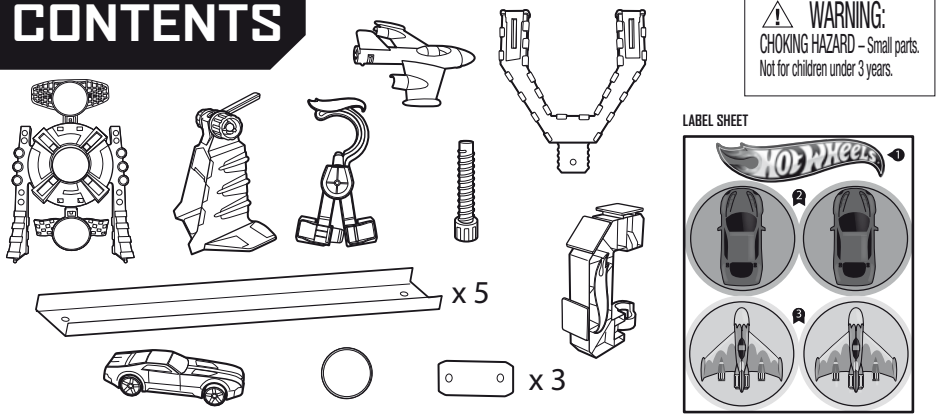


INSTRUCTIONS

ASST. X2604
X9281-0920

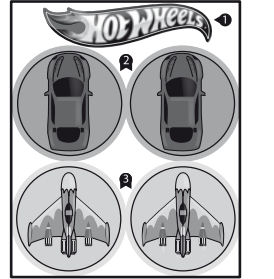
Please keep these instructions for future reference as they contain important information.

CONTENTS



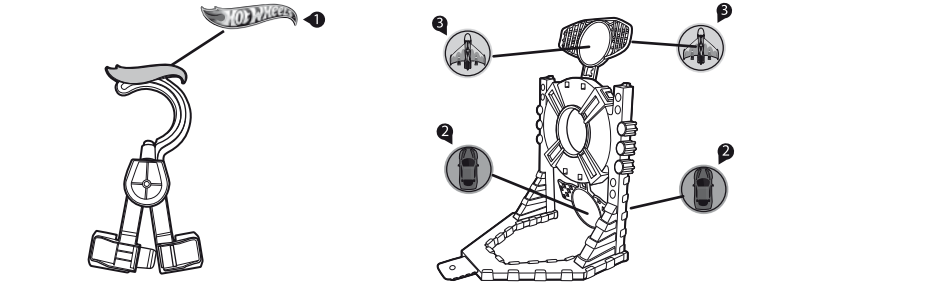
WARNING:
CHOKING HAZARD - Small parts.
Not for children under 3 years.

LABEL SHEET



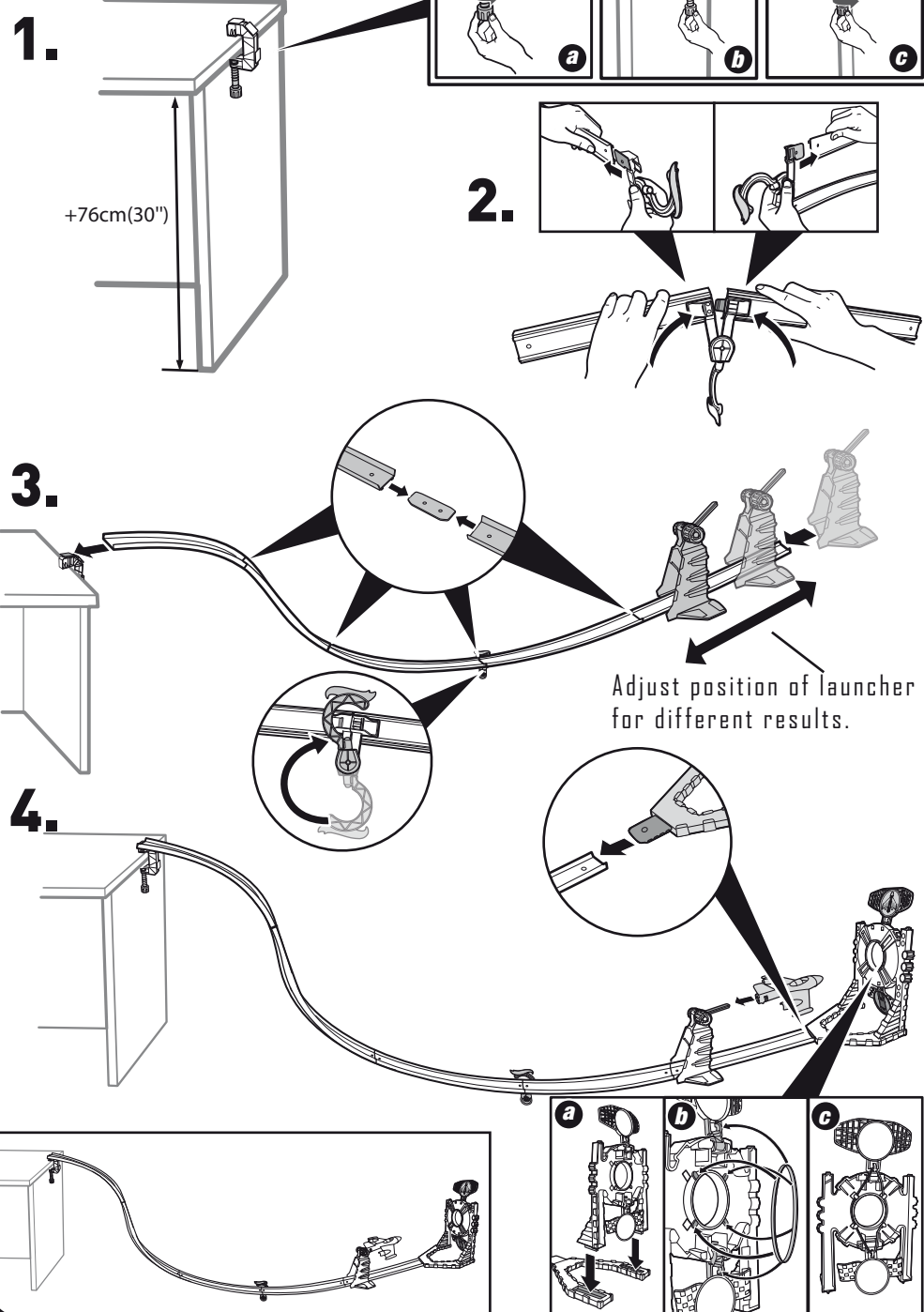
APPLY LABELS

Helpful Hint: Apply labels before assembly by numbers as indicated.

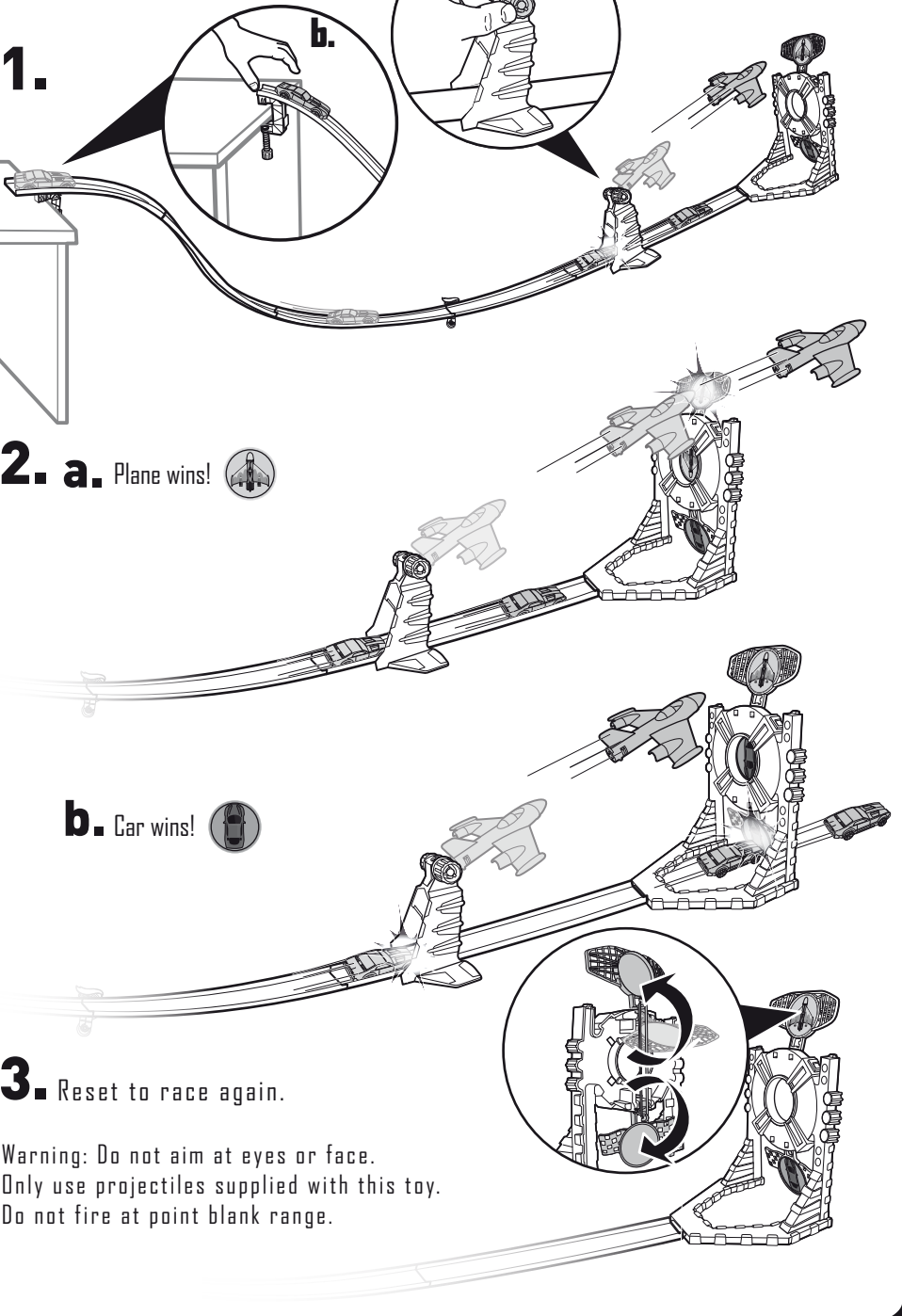


©2013 Mattel. All Rights Reserved. Mattel, Inc., 636 Girard Avenue, East Aurora, NY 14052, U.S.A. Consumer Relations 1-800-524-8697. Mattel U.K. Ltd., Vanwall Business Park, Maidenhead SL6 4UB. Helpline 01628 500303. Mattel Australia Pty., Ltd., Richmond, Victoria. 3121. Consumer Advisory Service - 1300 135 312. Mattel East Asia Ltd., Room 1106, South Tower, World Finance Centre, Harbour City, Tsimshatsui, HK, China. Diimport & Diedarkan Oleh: Mattel SEA Ptd Ltd. (993532-P) Lot 13.5, 13th Floor, Menara Lien Hoe, Persiaran Tropicana Golf Country Resort, 47410 PJ. Tel: 03-78803817, Fax: 03-78803867. service.mattel.com

ASSEMBLY



TO PLAY



Warning: Do not aim at eyes or face.
Only use projectiles supplied with this toy.
Do not fire at point blank range.