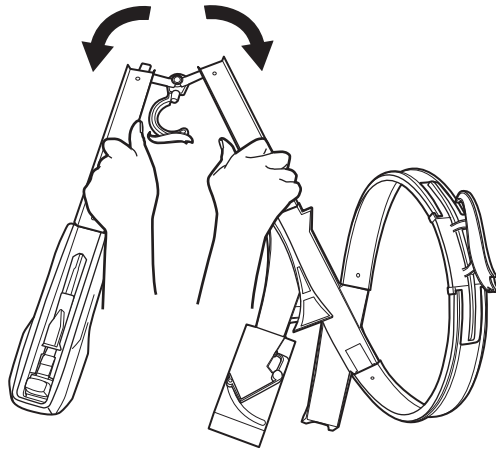
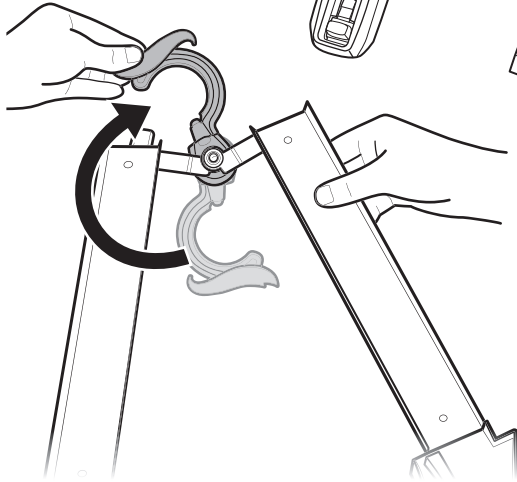


FOLD UP & STORE

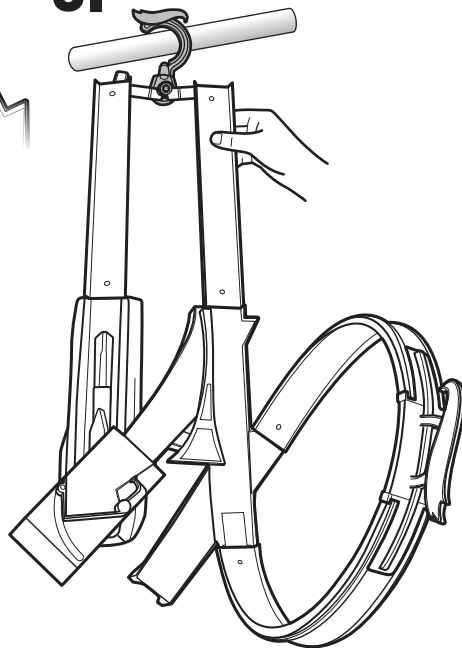
1.



2.



3.



LOOP & DRIFT™

INSTRUCTIONS

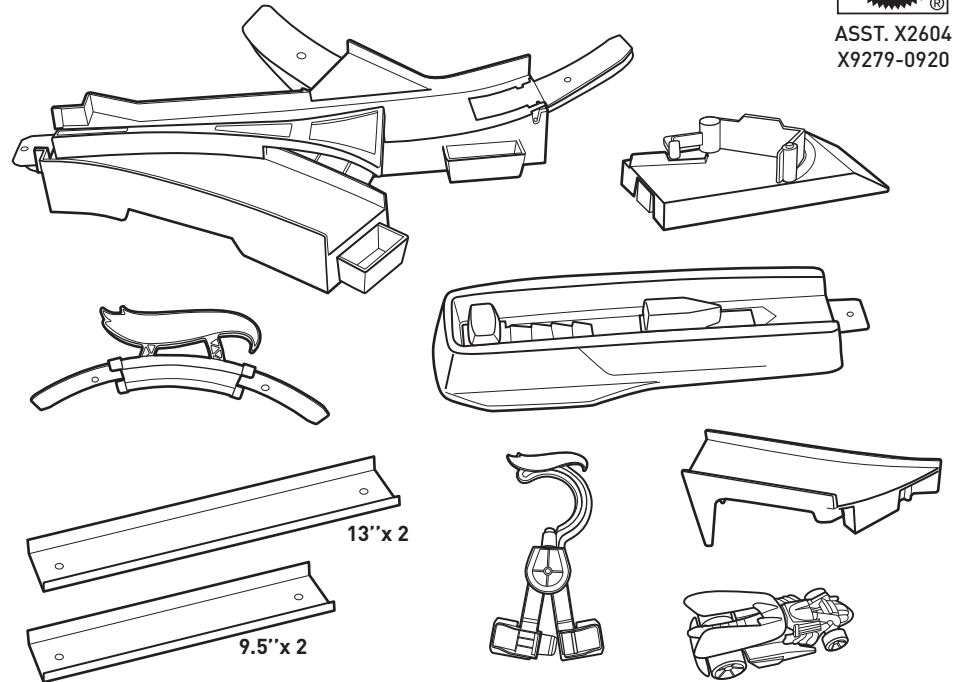
Please keep these instructions for future reference as they contain important information.

CONTENTS

5+



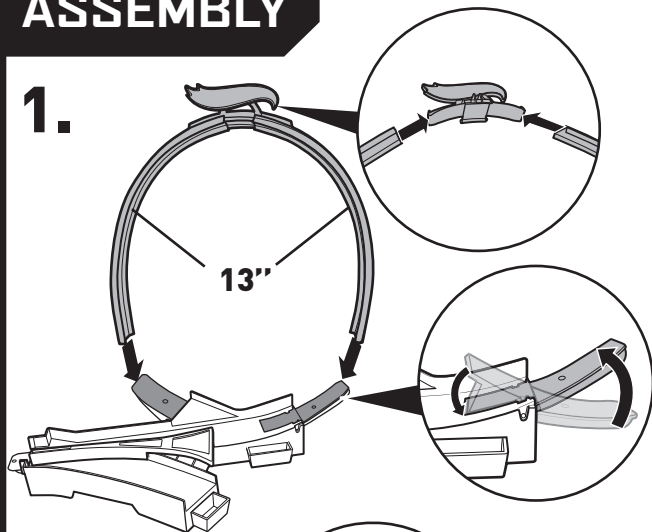
ASST. X2604
X9279-0920



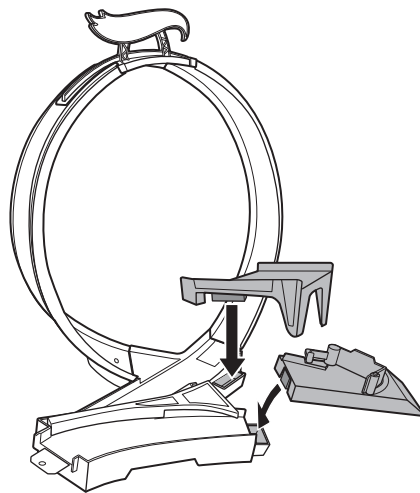
©2012 Mattel. All Rights Reserved. Mattel, Inc., 636 Girard Avenue, East Aurora, NY 14052, U.S.A. Consumer Relations 1-800-524-8697. Mattel U.K. Ltd., Vanwall Business Park, Maidenhead SL6 4UB. Helpline 01628 500303. Mattel Australia Pty., Ltd., Richmond, Victoria. 3121. Consumer Advisory Service - 1300 135 312. Mattel East Asia Ltd., Room 1106, South Tower, World Finance Centre, Harbour City, Tsimshatsui, HK, China. Diimport & Diedarkan Oleh: Mattel SEA Ptd Ltd. (993532-P) Lot 13.5, 13th Floor, Menara Lien Hoe, Persiaran Tropicana Golf Country Resort, 47410 PJ. Tel: 03-78803817, Fax: 03-78803867. service.mattel.com

ASSEMBLY

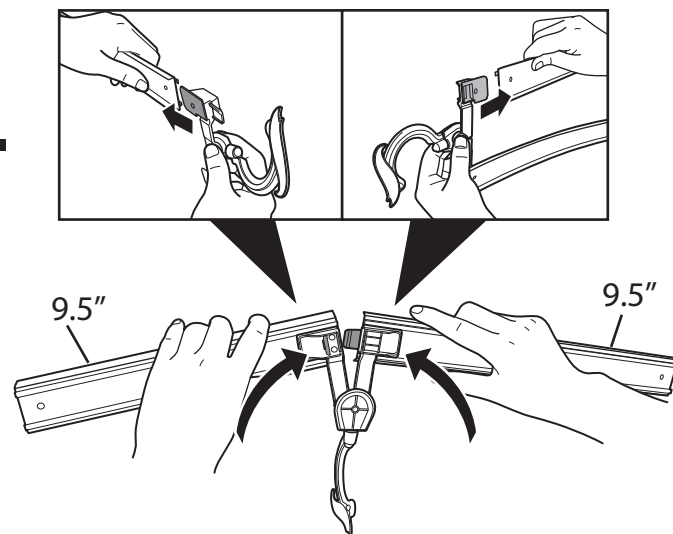
1.



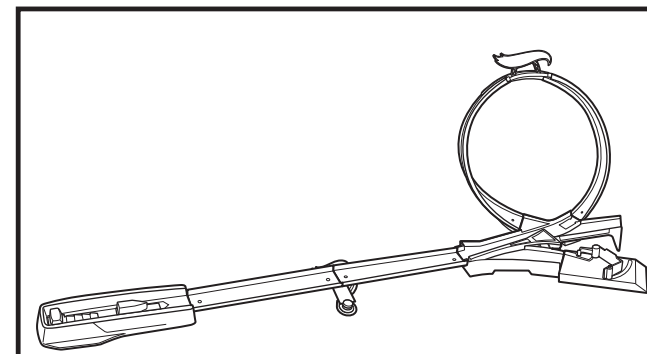
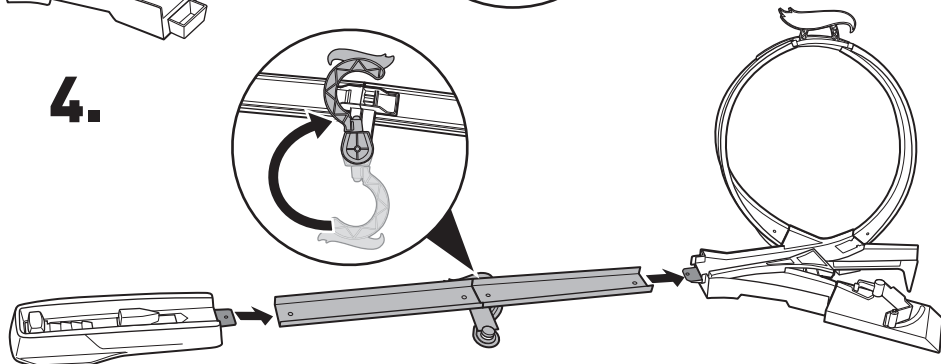
2.



3.



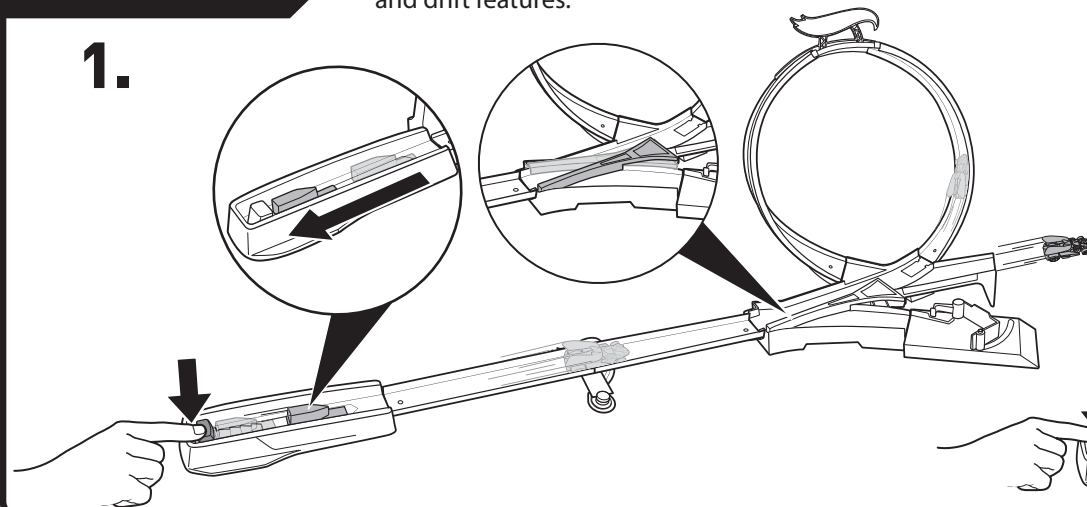
4.



TO PLAY

Diverter automatically switches between loop and drift features.

1.



2.

