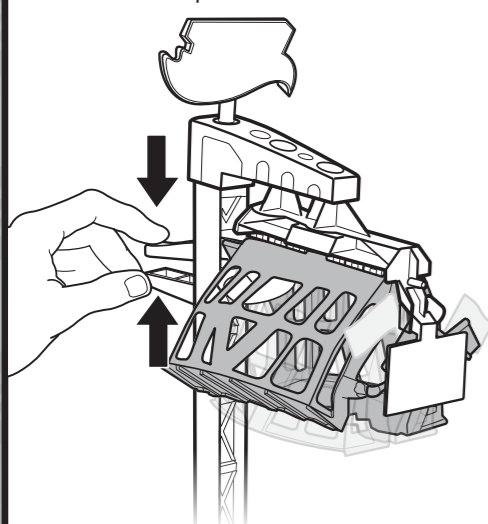


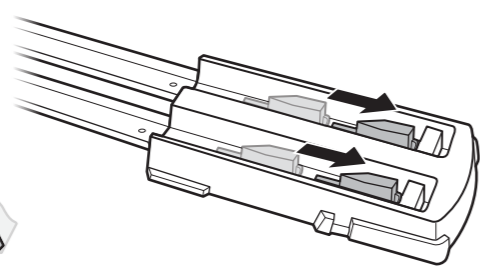
TO PLAY

1. Set the super claw.

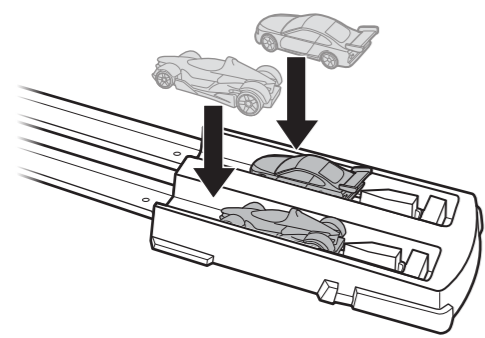


2. Set launchers.

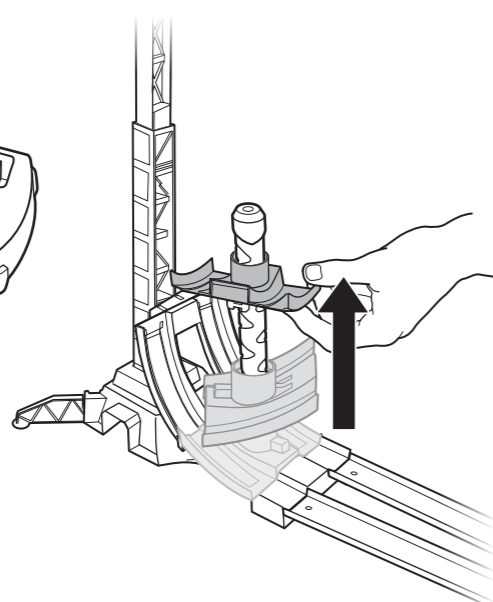
NOTE: Try different settings for best performance.



3. Load cars.

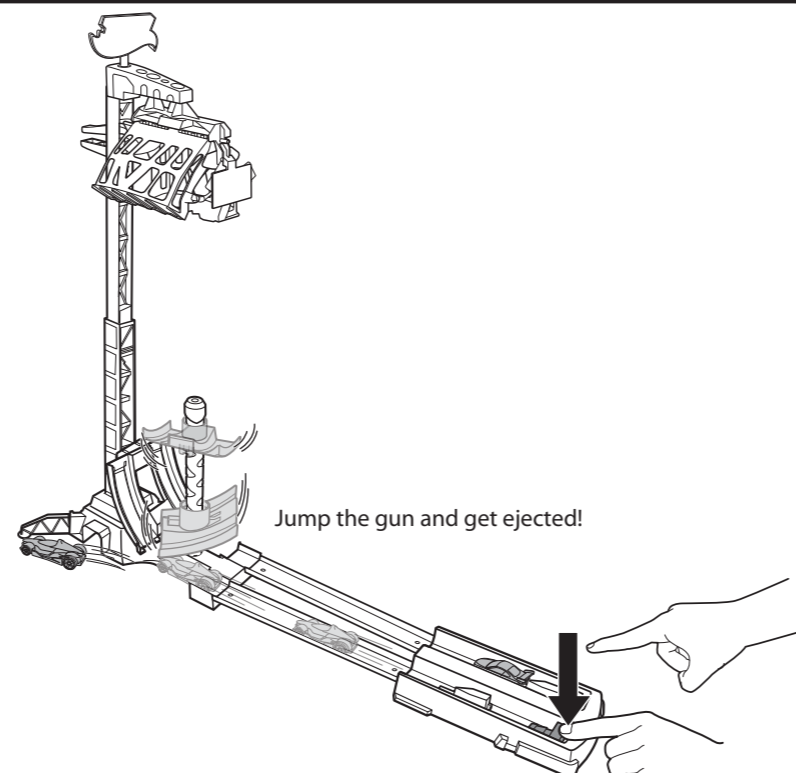


4. Lift and release the fair-start ramp. Wait for it to land and then launch!

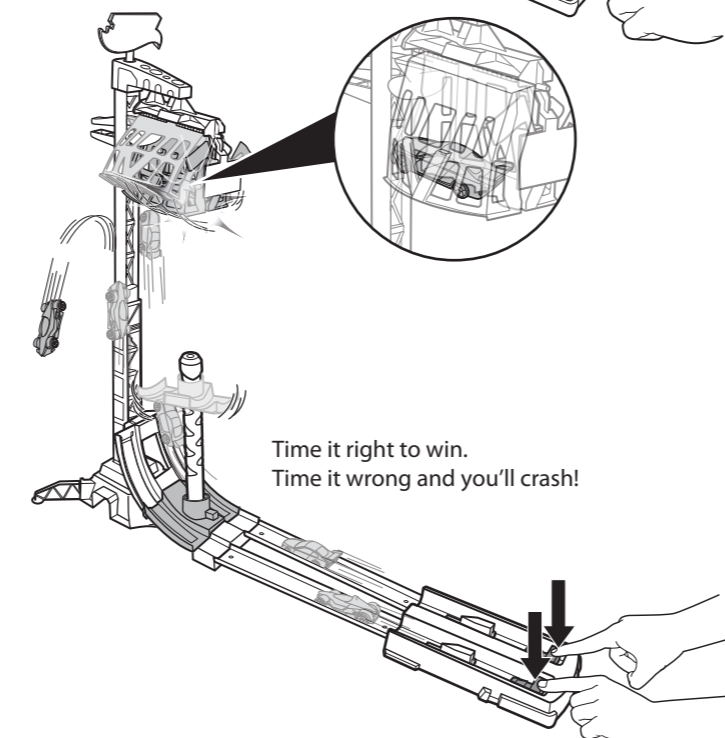


5.

a.



b.

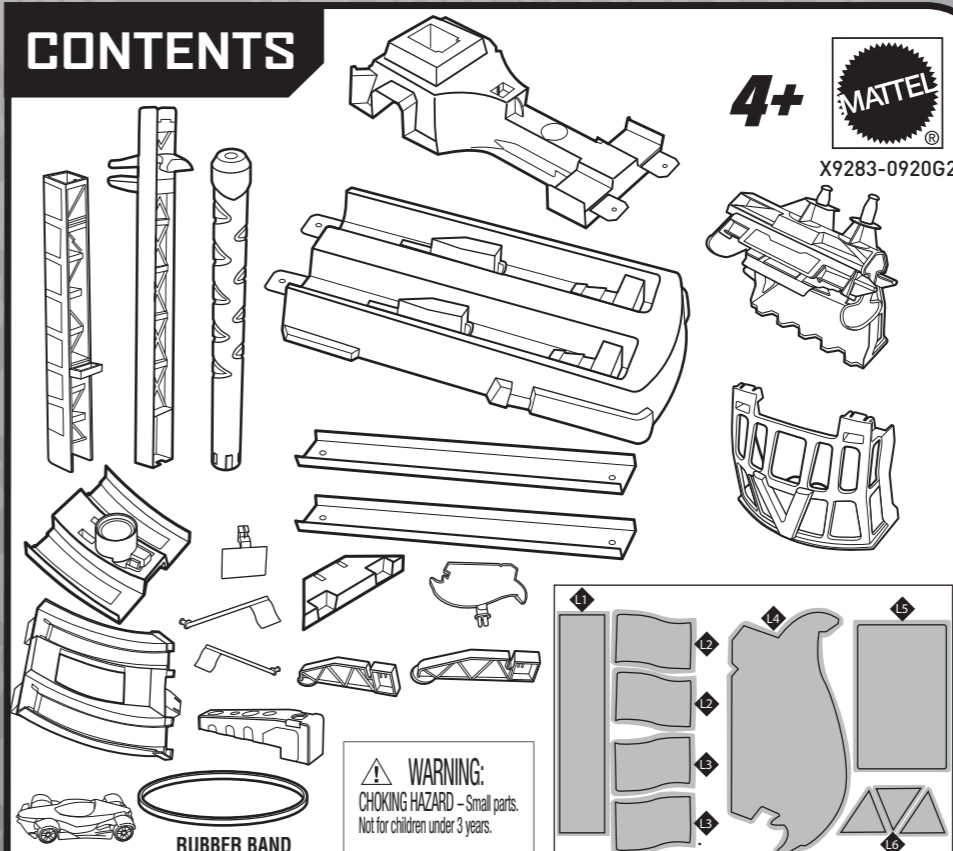


VERTICAL VELOCITY™

INSTRUCTIONS

Keep these instructions for future reference as they contain important information.

CONTENTS



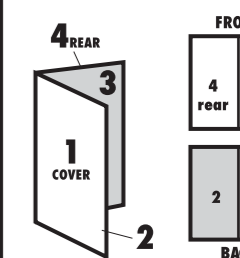
©2012 Mattel. All Rights Reserved. Mattel, Inc., 636 Girard Avenue, East Aurora, NY 14052, U.S.A. Consumer Relations 1-800-524-8697. Mattel U.K. Ltd., Vanwall Business Park, Maidenhead SL6 4UB. Helpline 01628 500303. Mattel Australia Pty., Ltd., Richmond, Victoria, 3121. Consumer Advisory Service - 1300 135 312. Mattel East Asia Ltd., Room 1106, South Tower, World Finance Centre, Harbour City, Tsimshatsui, HK, China. Diimport & Diedarkan Oleh: Mattel SEA Ptd Ltd.(993532-P) Lot 13.5, 13th Floor, Menara Lien Hoe, Persiaran Tropicana Golf Country Resort, 47410 PJ. Tel:03-78803817, Fax:03-78803867. service.mattel.com

INSTRUCTION SHEET SPECIFICATIONS

Toy: X0171 Powered Car Asst
Toy No.: X9283
Part No.: 092062
Trim Size: 16.5" W x 8.5" H
Folded Size: 5.5" W x 8.5" H
Type of Fold: Simple
colors: One
Colors: Black
Paper Stock: White Offset
Paper Weight: 70 lb.
EDM No.:

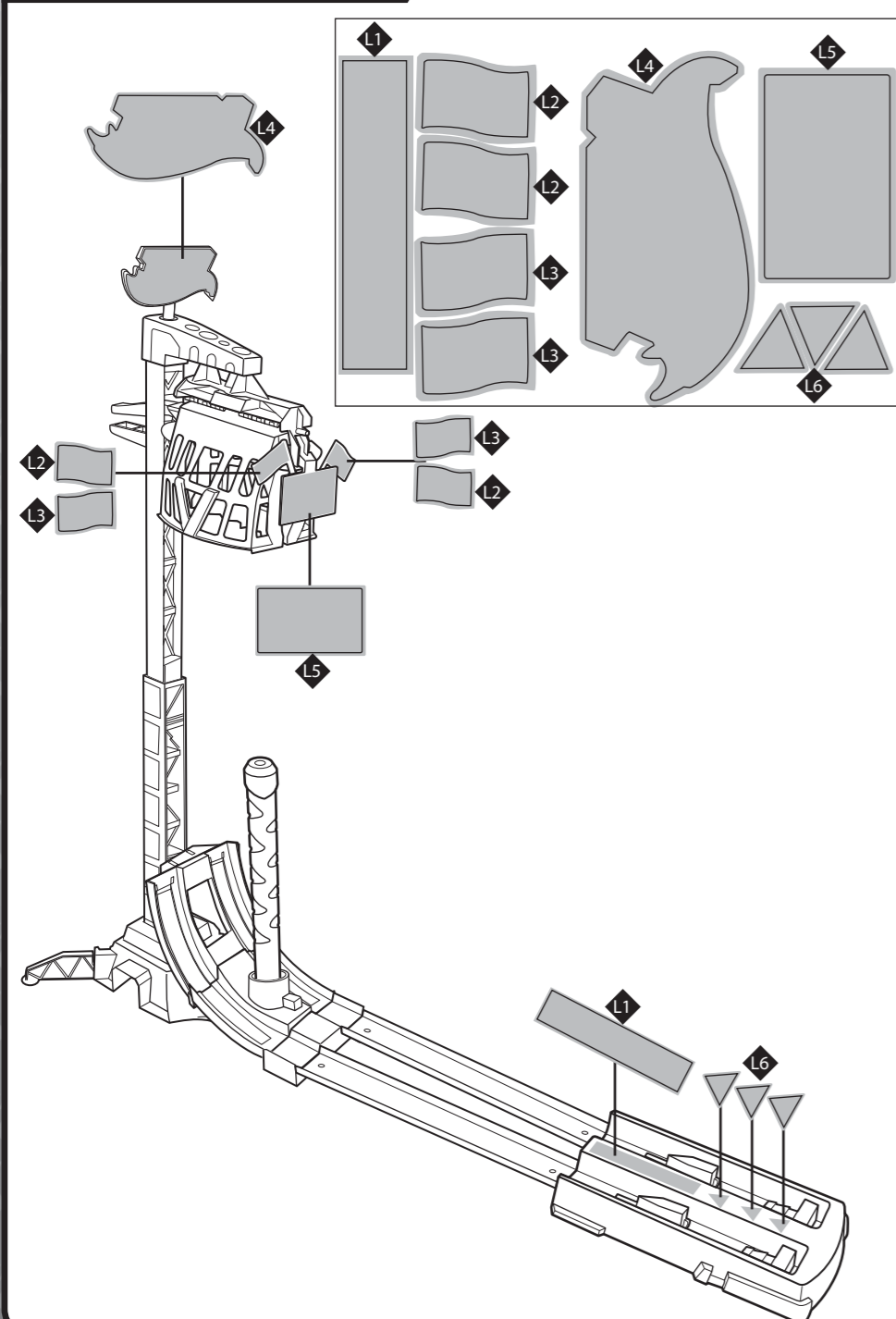


2 PANEL Folding Dummy



APPLY LABELS

Helpful Hint: Apply labels before assembly by number as indicated.



ASSEMBLY

