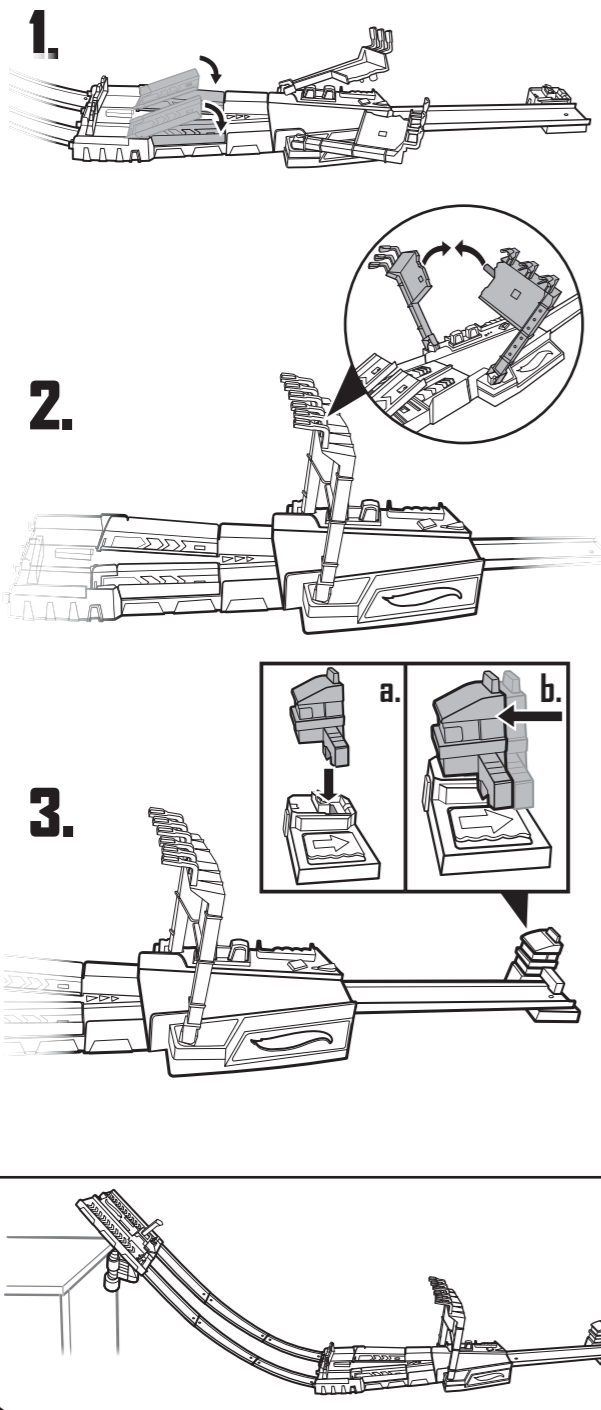
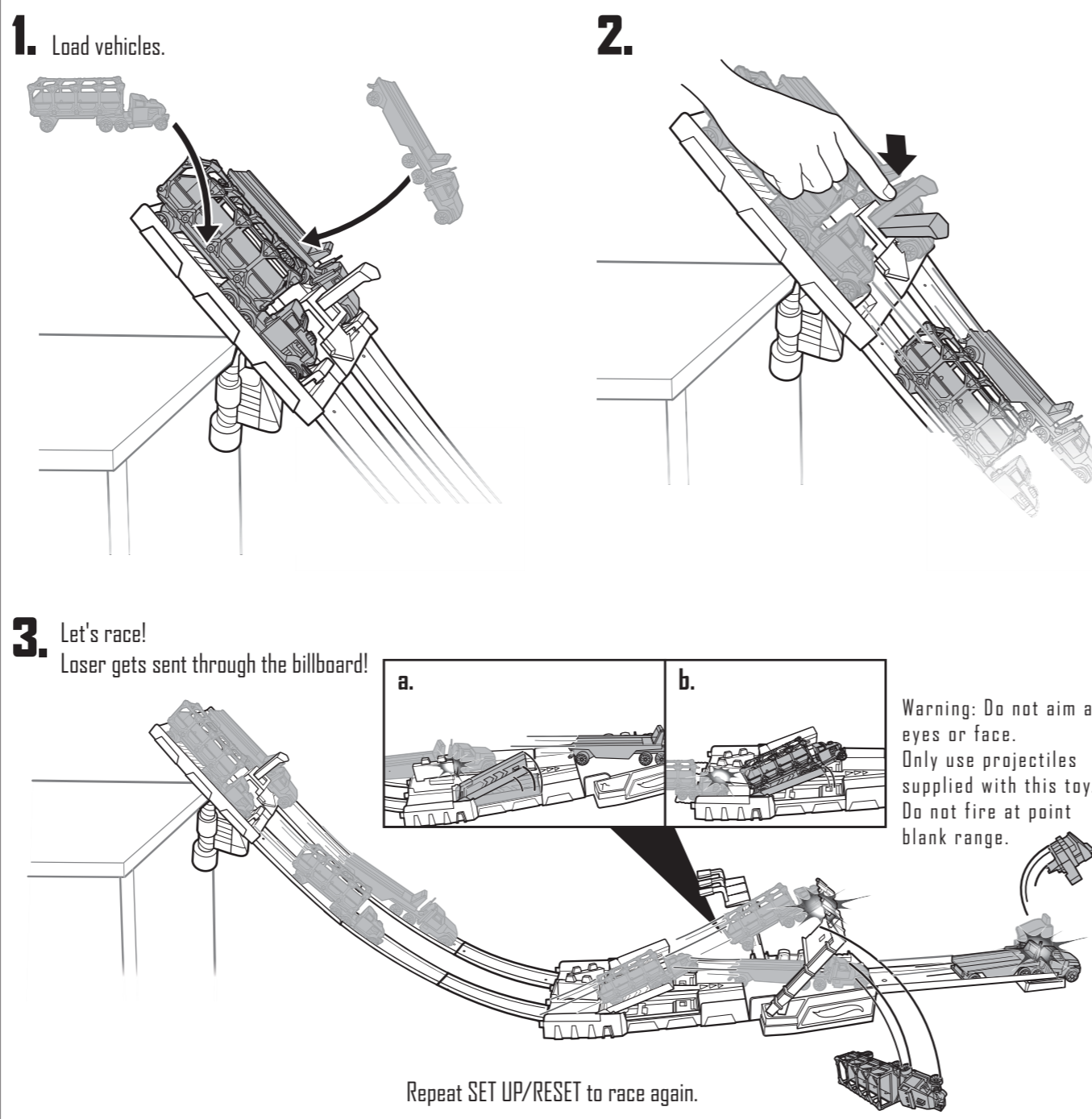


**SET UP/RESET**



**TO PLAY**

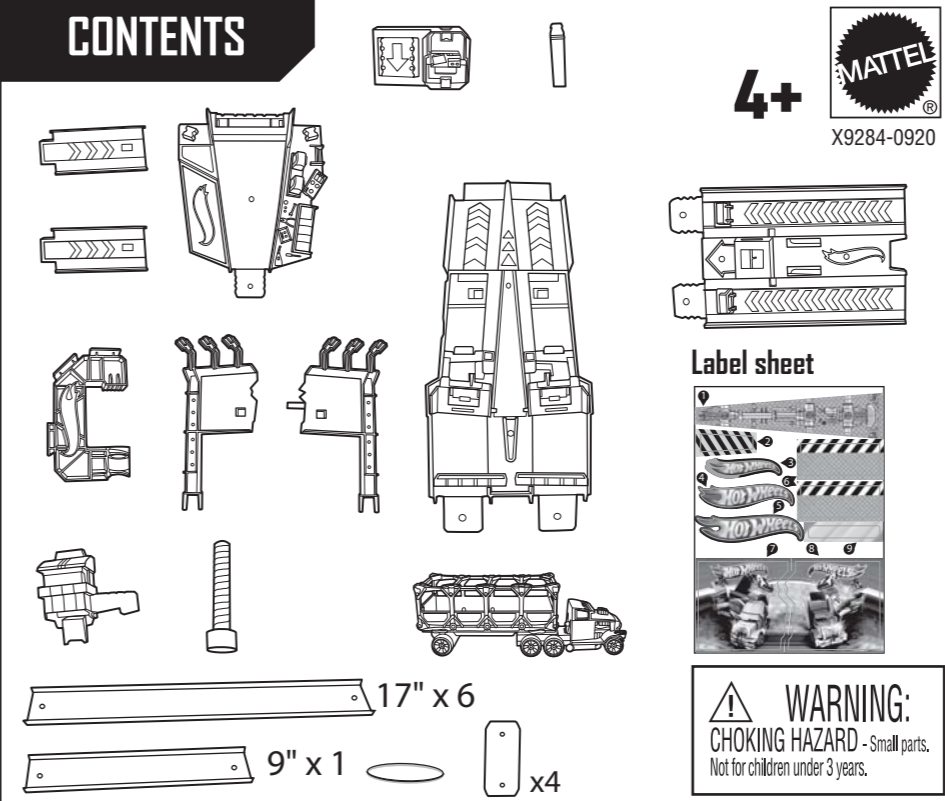


**CONVOY CRASH™**

**INSTRUCTIONS**

Please keep these instructions for future reference as they contain important information.

**CONTENTS**

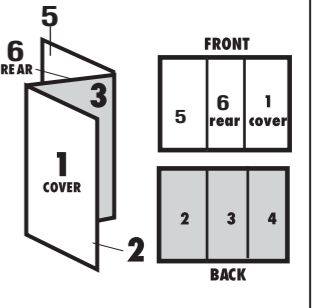


©2013 Mattel. All Rights Reserved. Mattel, Inc., 636 Girard Avenue, East Aurora, NY 14052, U.S.A. Consumer Relations 1-800-524-8697. Mattel U.K. Ltd., Vanwall Business Park, Maidenhead SL6 4UB. Helpline 01628 500303. Mattel Australia Pty., Ltd., Richmond, Victoria, 3121. Consumer Advisory Service - 1300 135 312. Mattel East Asia Ltd., Room 1106, South Tower, World Finance Centre, Harbour City, Tsimshatsui, HK, China. Dimport & Diedarkan Oleh: Mattel SEA Ptd Ltd. (993532-P) Lot 13.5, 13th Floor, Menara Lien Hoe, Perstaran Tropicana Golf Country Resort, 47410 PJ. Tel: 03-78803617, Fax: 03-78803667. [service.mattel.com](http://service.mattel.com)

**INSTRUCTION SHEET SPECIFICATIONS**

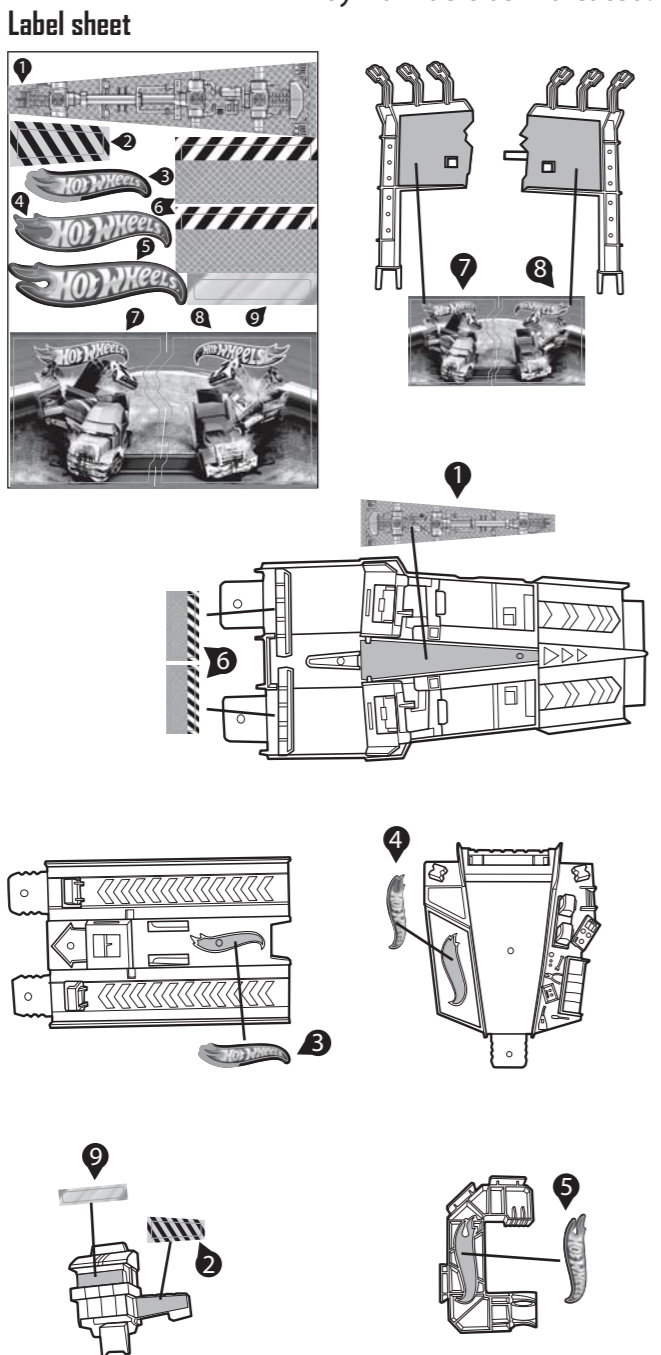
Toy: HW Ready To Play Set  
 Toy No.: X9300  
 Part No.: 0920G1  
 Trim Size: 16.5" W x 8.5" H  
 Folded Size: 5.5" W x 8.5" H  
 Type of Fold: Single  
 # colors: One  
 Colors: Black  
 Paper Stock: White Offset  
 Paper Weight: 70 lb.  
 EDM No.:

**2 PANEL Folding Dummy**



**APPLY LABELS**

Helpful Hint: Apply labels before assembly by numbers as indicated.



**ASSEMBLY**

