

## TO PLAY

- Power ON.
- Launch vehicle into the first track.
- Push left handle to enter second track.
- Push both handles together to enter third track.
- Load more vehicles for crashing action!

For best performance, add tape or books here to stabilize the set.

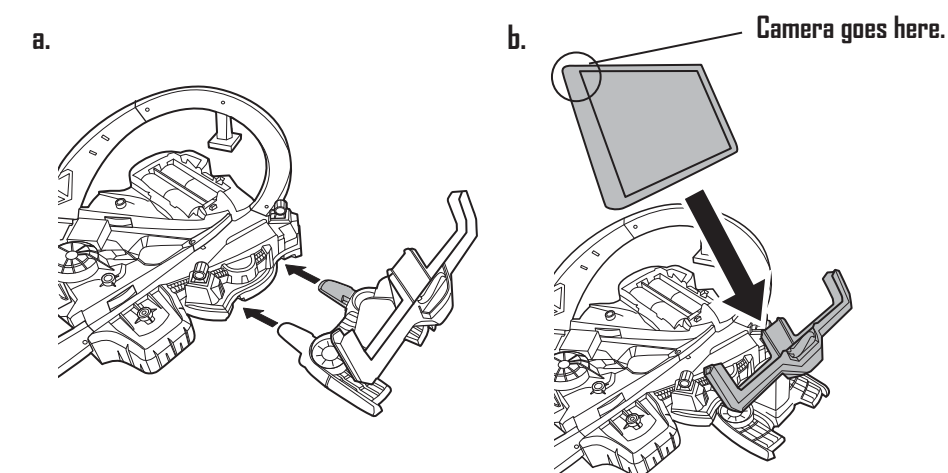
## ENHANCED PLAY

### A. TRACK SET

- Using your iPad®, log on to the App Store. Search for "HOT WHEELS POWER PORT". Download and install the app.



- Connect the iPad® Stand to the track set and attach the iPad.



- Tap on the on-screen HOT WHEELS® app icon to start the app.

- Follow the on-screen instructions to battle dinos, robots, sharks, make videos and more!

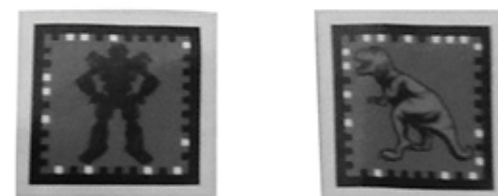


NOTE: The lap counter function is based on image detection, if the car body color is too similar to the track, it may not be recognized.

Go to [www.Hotwheels.com/Apps](http://www.Hotwheels.com/Apps) for more information on the app.

### B. GLYPHS

- TRIPLE TRACK TWISTER™ comes with 2 glyphs.  
Point the iPad® camera at a glyph to see the HOT WHEELS® world come to life!



NOTE: View one glyph at a time. Does not work when 2 glyphs are on the screen at the same time.

#### BATTERY SAFETY INFORMATION

In exceptional circumstances batteries may leak fluids that can cause a chemical burn injury or ruin your product. To avoid battery leakage:

- Non-rechargeable batteries are not to be recharged.
- Rechargeable batteries are to be removed from the product before being charged.
- Rechargeable batteries are only to be charged under adult supervision.
- Do not mix alkaline, standard (carbon-zinc), or rechargeable (nickel-cadmium) batteries.
- Do not mix old and new batteries.
- Only batteries of the same or equivalent type as recommended are to be used.
- Batteries are to be inserted with the correct polarity.
- Exhausted batteries are to be removed from the product.
- The supply terminals are not to be short-circuited.
- Dispose of battery(ies) safely.
- Do not dispose of this product in a fire. The batteries inside may explode or leak.

#### Battery Performance Note:

For best performance use alkaline batteries. Battery life may vary depending on battery brand.

- Protect the environment by not disposing of this product with household waste (2002/96/EC). Check your local authority for recycling advice and facilities.



Compatible Devices: iPad 2, 3, 4 (requires iOS 5.0 or higher)

Apple, the Apple logo and iPad are trademarks of Apple Inc., registered in the U.S. and other countries. App Store is a service mark of Apple Inc.



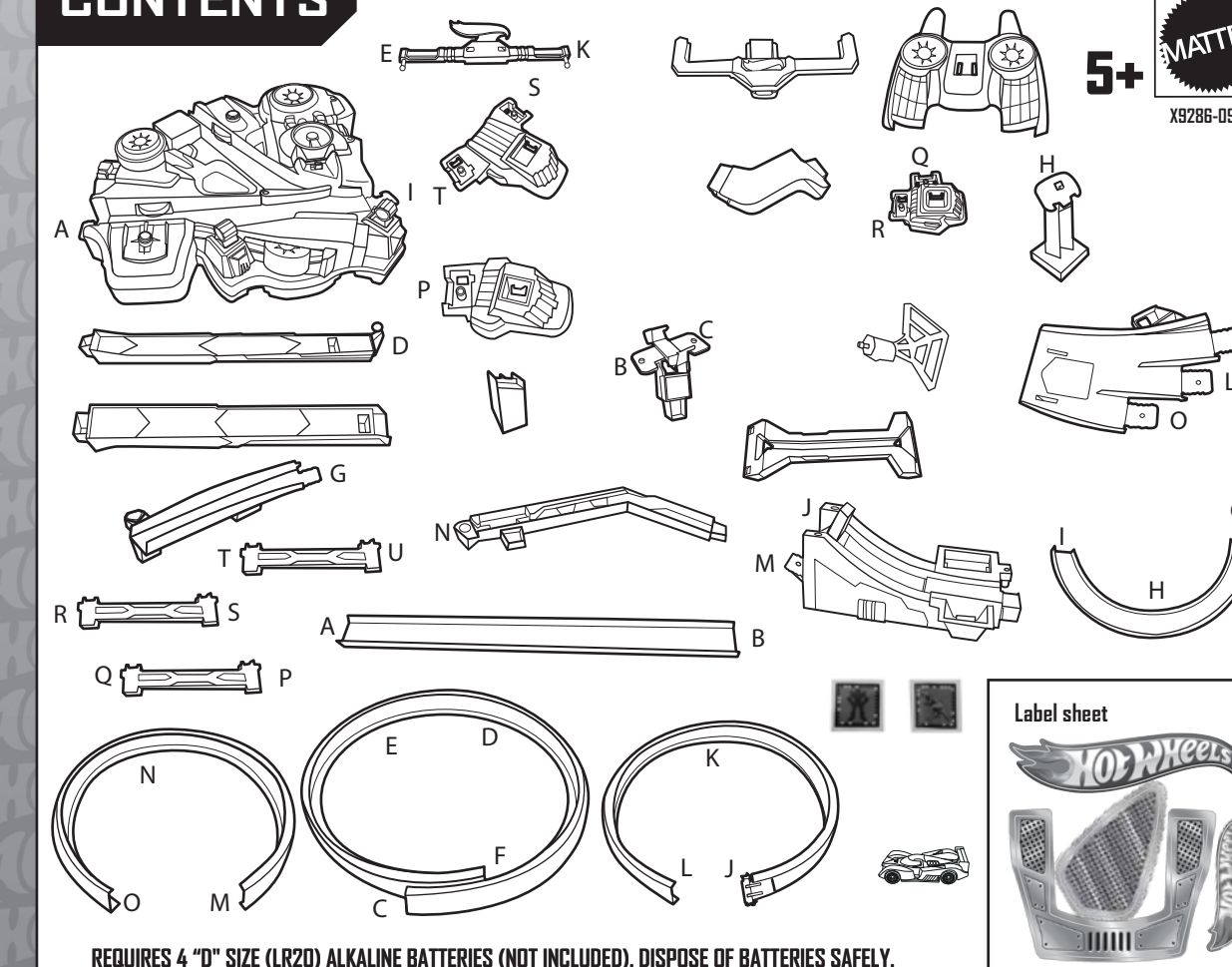
# TRIPLE TRACK TWISTER™

## INSTRUCTIONS

Please keep these instructions for future reference as they contain important information.

### CONTENTS

REFER TO MOLDED LETTERS ON PARTS FOR EASY ASSEMBLY.

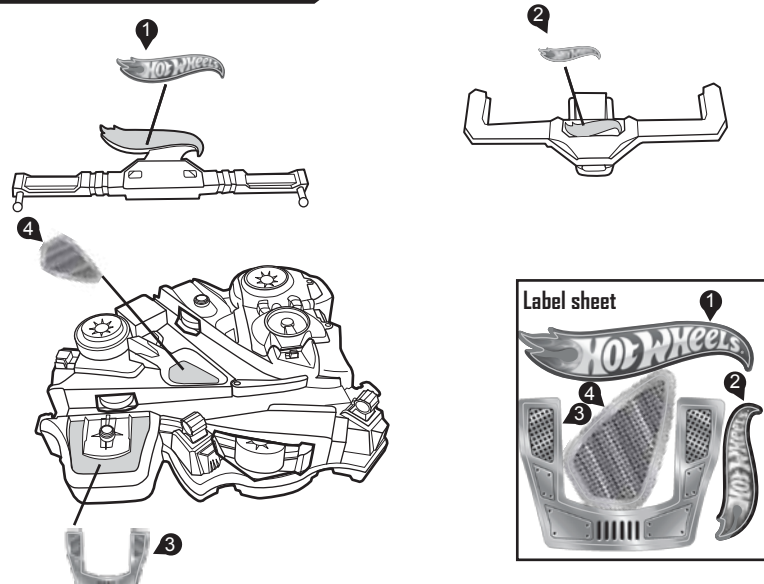


REQUIRES 4 "D" SIZE (LR20) ALKALINE BATTERIES (NOT INCLUDED). DISPOSE OF BATTERIES SAFELY.

©2013 Mattel. All Rights Reserved. Mattel, Inc., 636 Girard Avenue, East Aurora, NY 14052, U.S.A. Consumer Relations 1-800-524-8697. Mattel U.K. Ltd., Vanwall Business Park, Maidenhead SL6 4UB. Helpline 01628 500303. Mattel Australia Pty., Ltd., Richmond, Victoria, 3121. Consumer Advisory Service - 1300 135 312. Mattel East Asia Ltd., Room 1106, South Tower, World Finance Centre, Harbour City, Tsimshatsui, HK, China Dlimport & Diedarkan Osh: Mattel SEA Ptd Ltd. (093332-P) Lot 13.5, 13th Floor, Menara Lien Hoe, Persiaran Tropicana Golf Country Resort, 47410 PJ, Tel: 03-78803817, Fax: 03-78803867. service.mattel.com

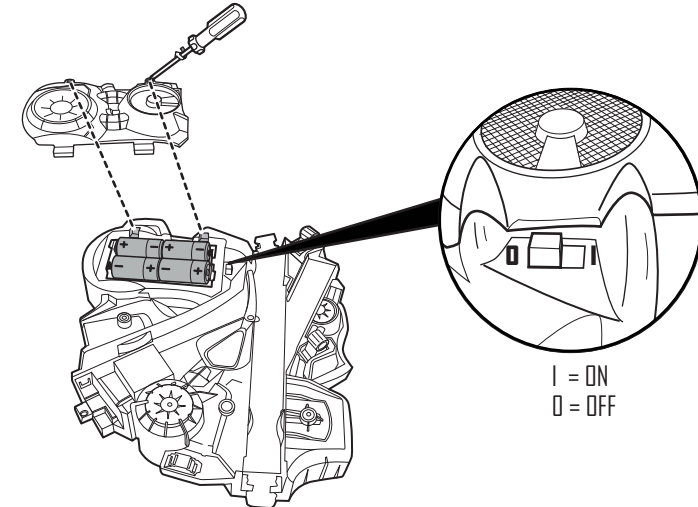
## APPLY LABELS

Helpful Hint: Apply labels before assembly by number as indicated.



## BATTERY INSTALLATION

- Unscrew the battery cover with a Phillips head screwdriver (not included).
- Install 4 new "D" size (LR20) alkaline batteries (not included) in the orientation (+/-) shown.
- Replace battery cover and tighten screws.
- For longer life use alkaline batteries.
- Replace batteries when boosters can no longer propel cars through the track set.
- When exposed to an electrostatic source, the product may malfunction. To resume normal operation, remove and re-install the batteries.



## ASSEMBLY

- 
- 
- 
- 
- 
- 
- 
- BACK VIEW
- 
- 
- a. b.
-