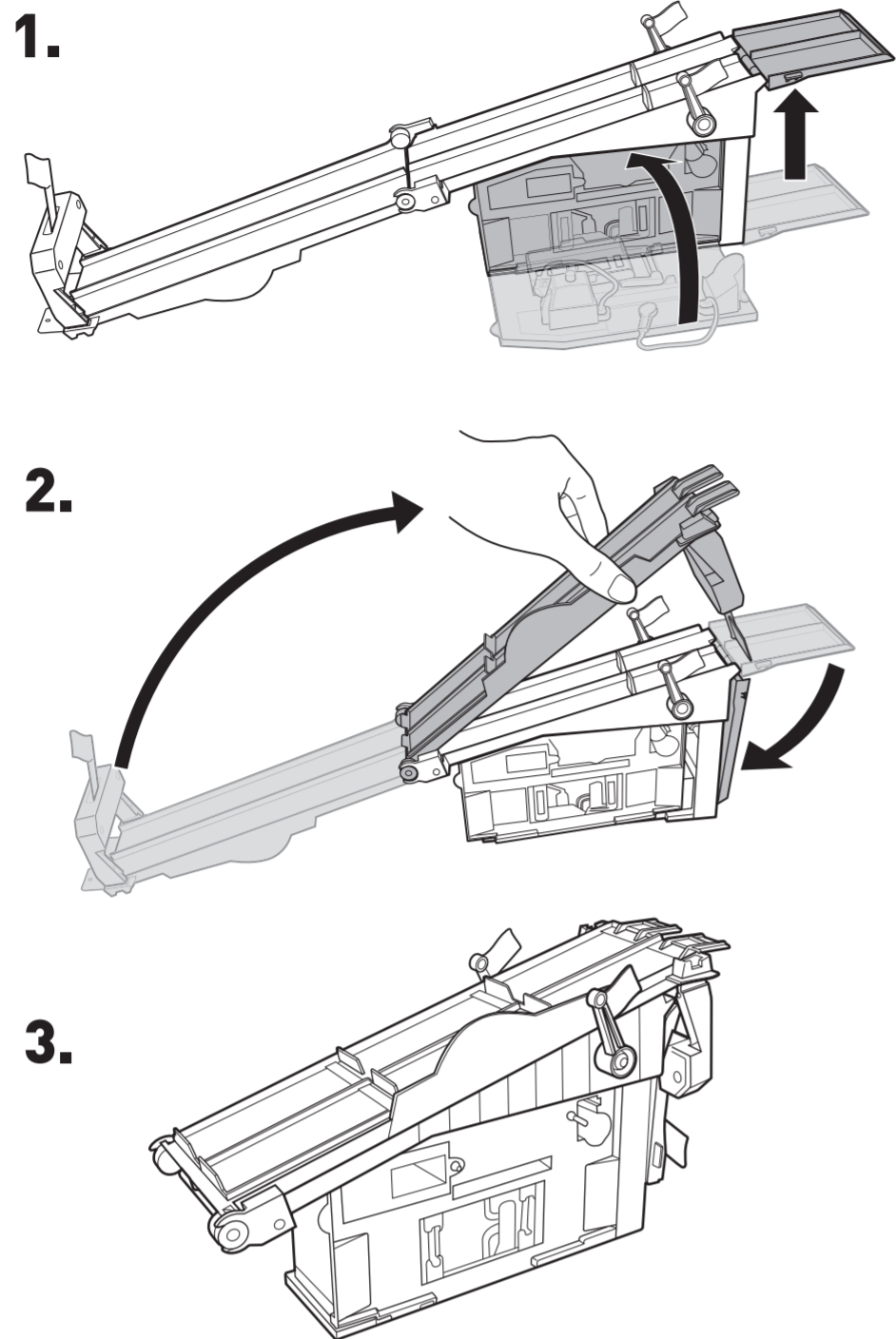


INSTRUCTION SHEET SPECIFICATIONS	
Toy:	HW Ready To Play Set
Toy No.:	X9296
Part No.:	0920
Trim Size:	11" W x 8.5" H
Folded Size:	5.5" W x 8.5" H
Type of Fold:	Single
# colors:	One
Colors:	Black
Paper Stock:	White Offset
Paper Weight:	70 lb.
EDM No.:	

STORAGE



ROOFTOP RACE

INSTRUCTIONS

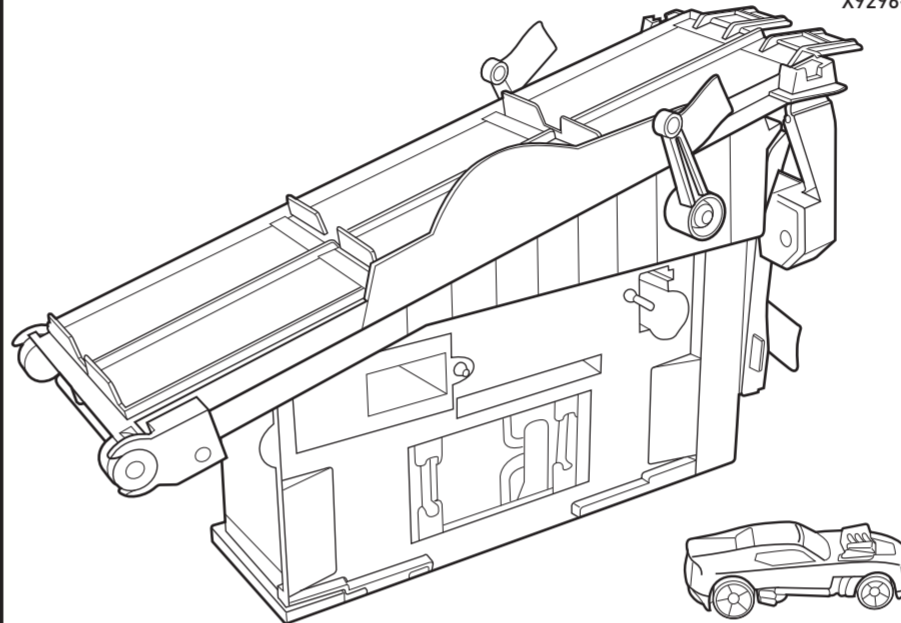
Please keep these instructions for future reference as they contain important information.

CONTENTS

4+

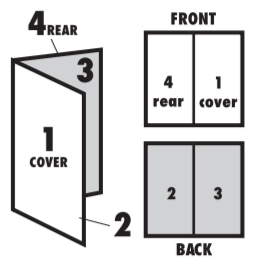


ASST. X9295
X9296-0920

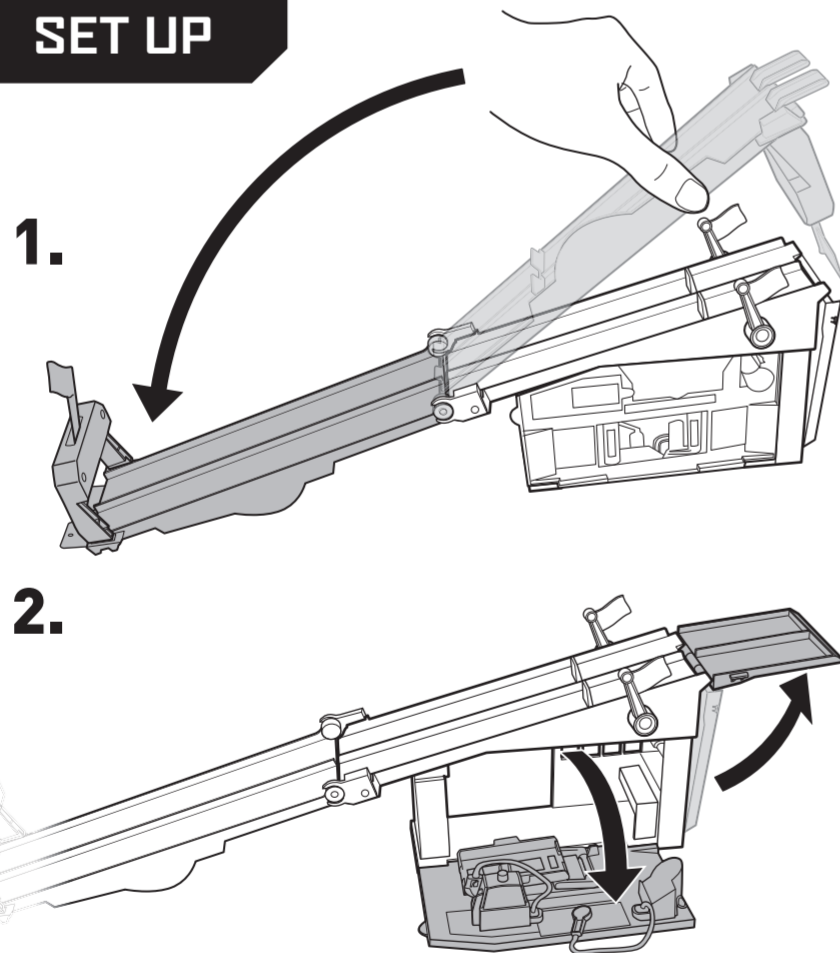


©2012 Mattel. All Rights Reserved. Mattel, Inc., 636 Girard Avenue, East Aurora, NY 14052, U.S.A. Consumer Relations 1-800-524-8697. Mattel U.K. Ltd., Vanwall Business Park, Maidenhead SL6 4UB. Helpline 01628 500303. Mattel Australia Pty., Ltd., Richmond, Victoria. 3121. Consumer Advisory Service - 1300 135 312. Mattel East Asia Ltd., Room 1106, South Tower, World Finance Centre, Harbour City, Tsimshatsui, HK, China. Diimport & Diedarkan Oleh: Mattel SEA Ptd Ltd. (993532-P) Lot 13.5, 13th Floor, Menara Lien Hoe, Persiaran Tropicana Golf Country Resort, 47410 PJ. Tel: 03-78803817, Fax: 03-78803867. service.mattel.com

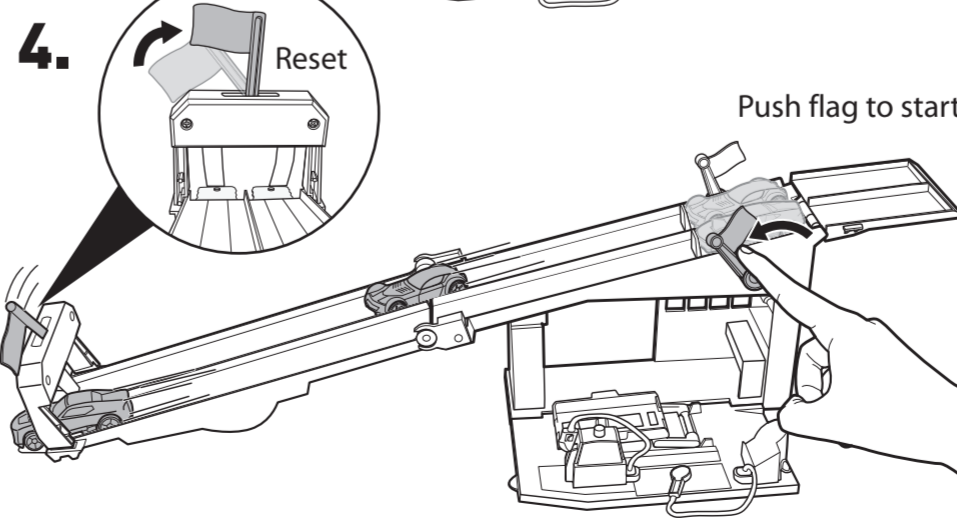
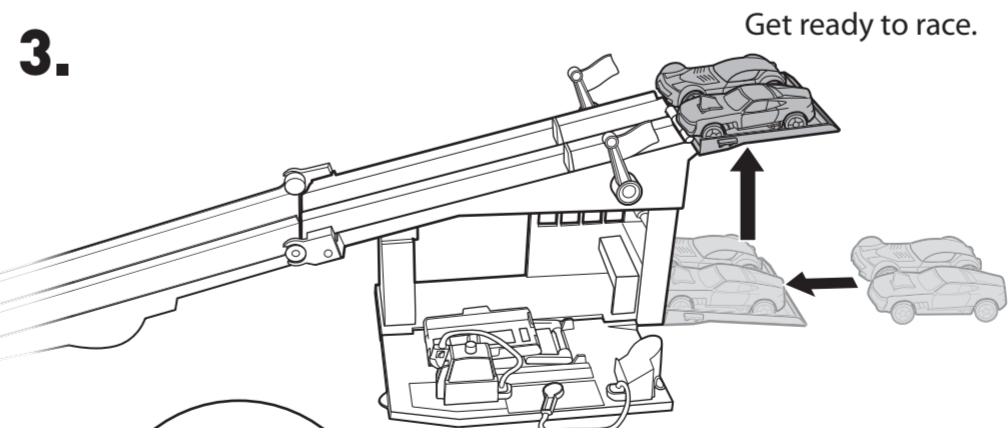
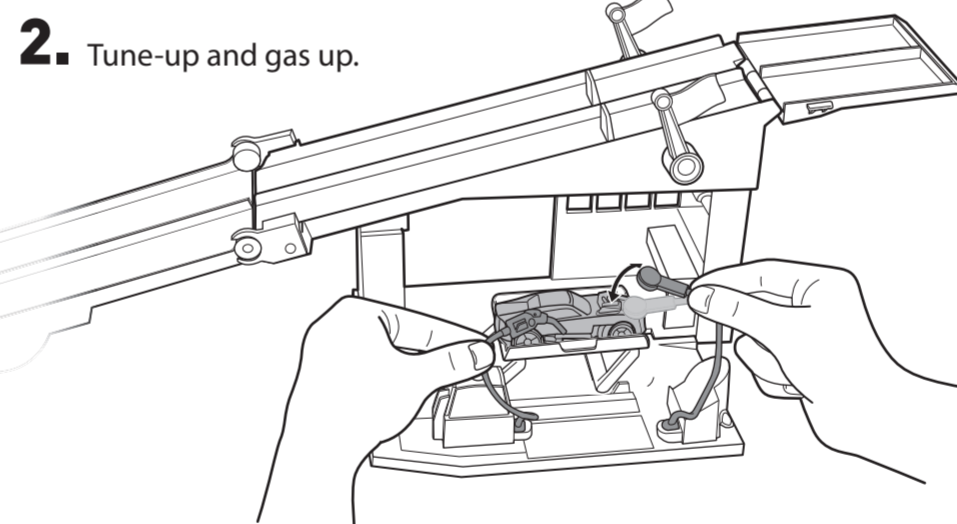
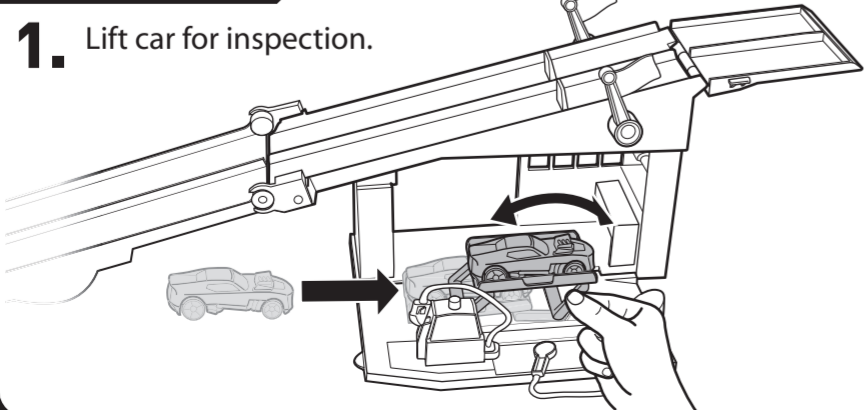
2 PANEL Folding Dummy



SET UP

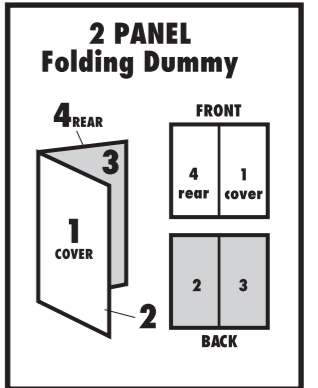


TO PLAY



INSTRUCTION SHEET SPECIFICATIONS

Toy: HW Ready To Play Set
 Toy No.: X9297
 Part No.: 0920G1
 Trim Size: 11"W x 8.5" H
 Folded Size: 5.5" W x 8.5" H
 Type of Fkg: Single
 # colors: One
 Colors: Black
 Paper Stock: White Offset
 Paper Weight: 70 lb.
 EDM No.:

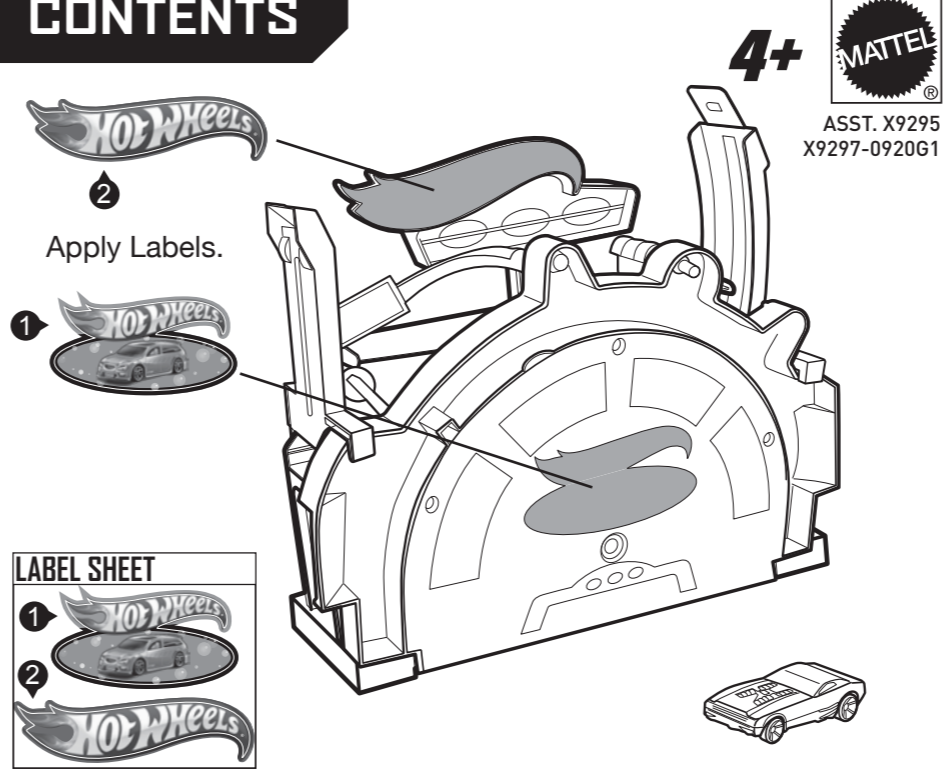


SUPER SPIN CARWASH

INSTRUCTIONS

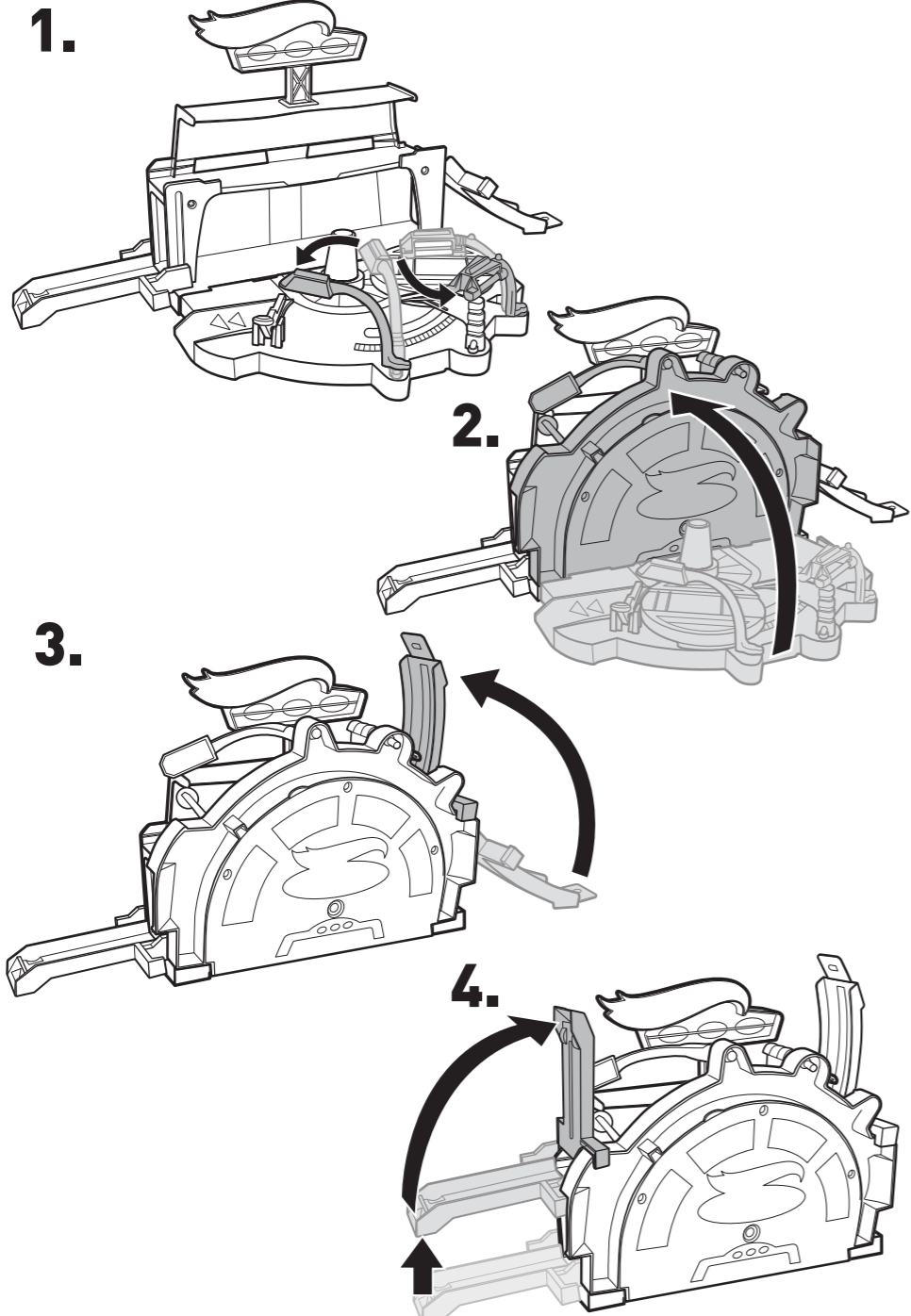
Please keep these instructions for future reference as they contain important information.

CONTENTS

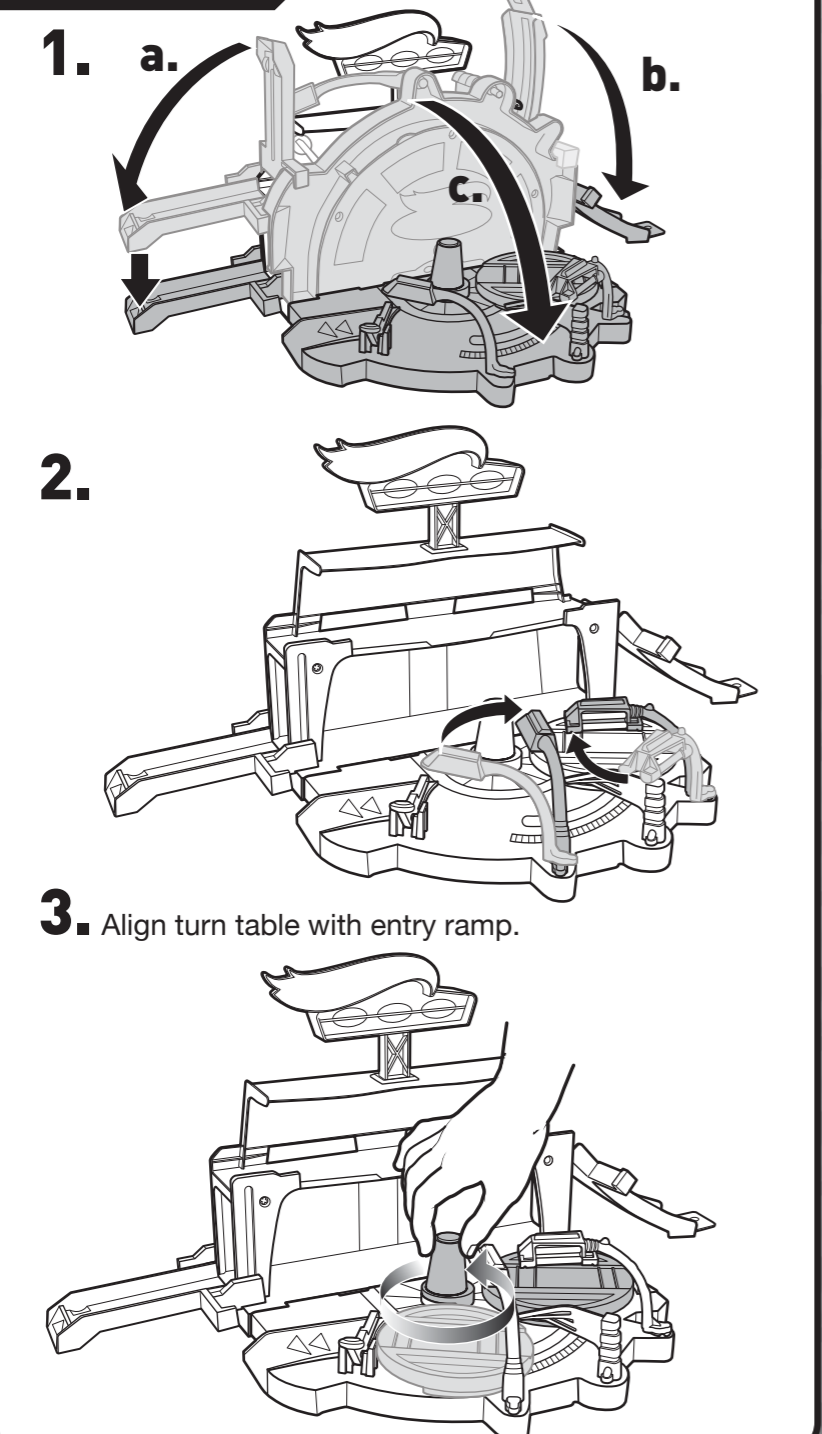


©2012 Mattel. All Rights Reserved. Mattel, Inc., 636 Girard Avenue, East Aurora, NY 14052, U.S.A. Consumer Relations 1-800-524-8697. Mattel U.K. Ltd., Vanwall Business Park, Maidenhead SL6 4UB. Helpline 01628 500303. Mattel Australia Pty. Ltd., Richmond, Victoria, 3121. Consumer Advisory Service - 1300 135 312. Mattel East Asia Ltd., Room 1106, South Tower, World Finance Centre, Harbour City, Tsimshatsui, HK, China. Diimport & Diedarkan Oleh: Mattel SEA Ptd Ltd. (993532-P) Lot 13.5, 13th Floor, Menara Lien Hoe, Persiaran Tropicana Golf Country Resort, 47410 P.J. Tel: 03-78803817, Fax: 03-78803867. service.mattel.com

STORAGE



SET UP



TO PLAY

