

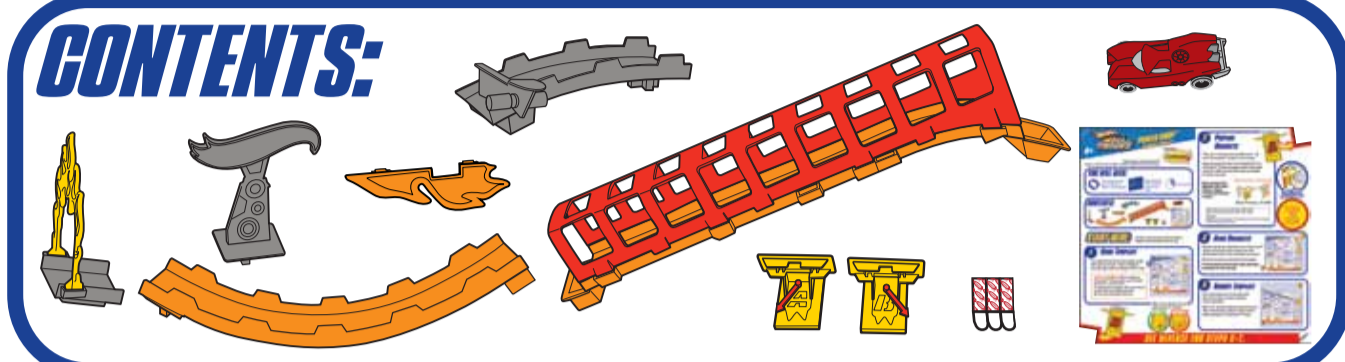


Keep these instructions for future reference as they contain important information.

**YOU WILL NEED:**

- Low-adhesive tape such as painter's tape or masking tape
- Approximately 2 feet by 2 feet of open wall space
- 20 minutes

**CONTENTS:**



**START HERE:**

Please read all instructions before beginning assembly and set-up.

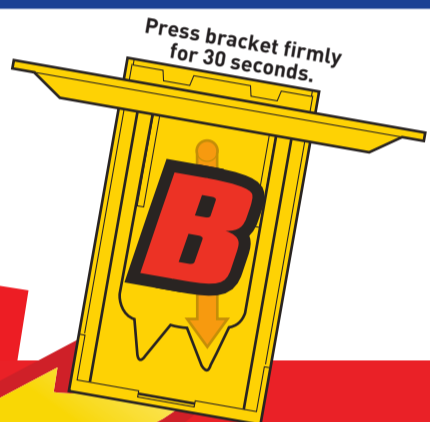
**1 HANG TEMPLATE**

Lie template flat and level against wall and tape as shown. Top of template should align with the height of the child.

**NOTE TO PARENTS:** Before applying Command™ Strips make sure the wall surface is clean and dry. If cleaning is necessary 3M recommends using isopropyl rubbing alcohol. Do not use household cleaners.



Red arrow should line up with arrow on bracket.



**SEE REVERSE FOR STEPS 5-7.**

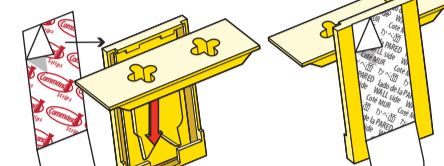
**2 PREPARE BRACKETS**

There are 2 yellow brackets [Marked A - B] and 3 Command™ Strips (1 extra strip).

Separate strips. Remove red-printed liner from Command™ Strips and apply to back of brackets as shown. Make sure the strip tab is accessible for future removal.

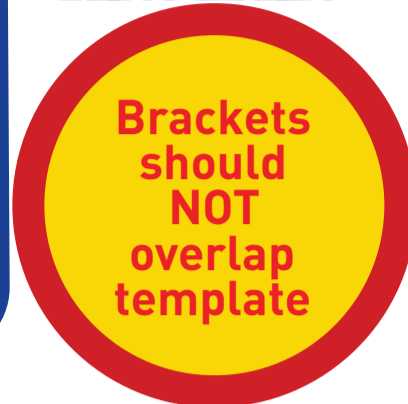
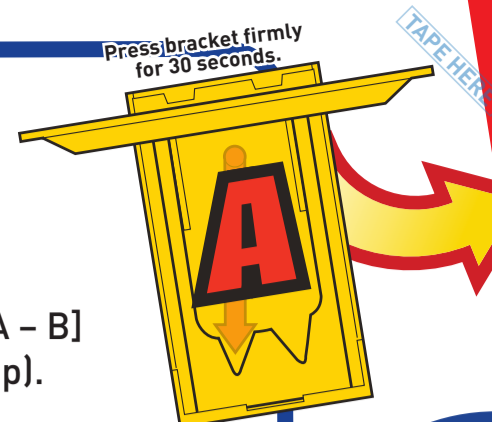
**NOTE: DO NOT PULL BRACKET OFF WALL without reading removal instructions in step 7.**

Red Printing = On Bracket



Black Printing = On Wall

**NOTE:** Apply strips to surfaces above 50°F (10°C). Adhesive could lose adhesion above 105°F (40°C).  
**CAUTION:** DO NOT use with wallpaper. May not adhere well to vinyl surfaces. DO NOT hang items over beds.



**3 HANG BRACKETS**

Remove black-printed liner from Command™ Strips and attach each bracket into the designated notch of the template as shown.

Bracket should not overlap the template.

**Press bracket firmly onto wall and hold, pressing for 30 seconds.**



**4 REMOVE TEMPLATE**

Once all brackets are firmly attached with red arrows correctly oriented, remove template.

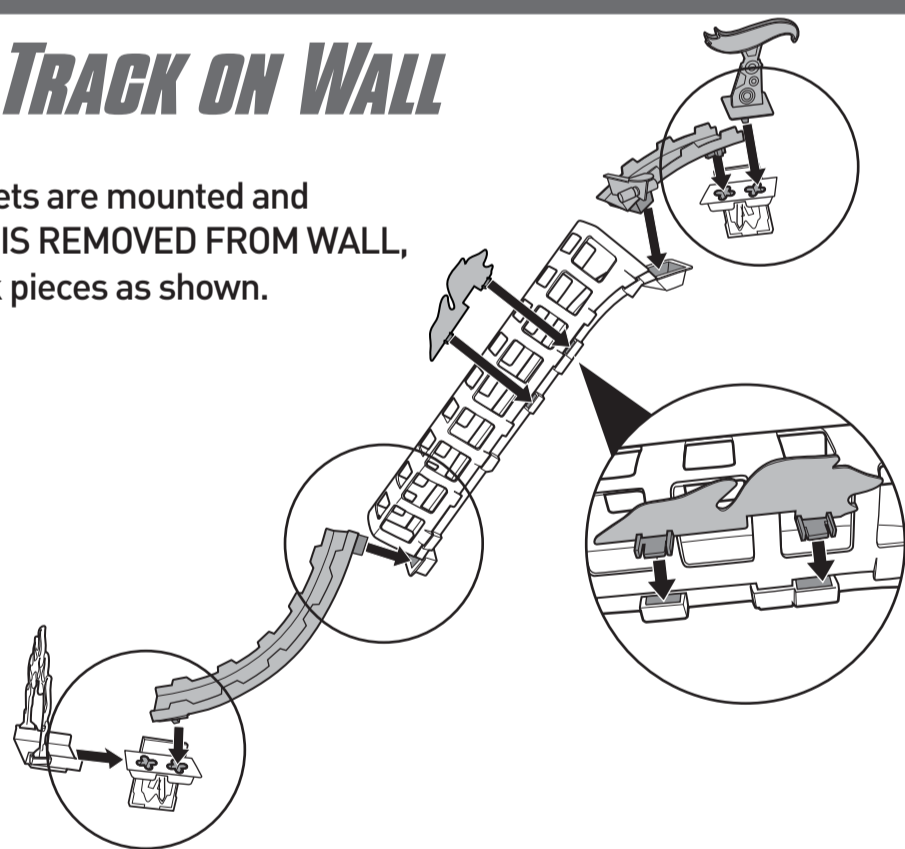
**Note:** For optimal adhesion performance 3M recommends waiting 1 hour before adding weight to Command™ Strips.



**SEE OTHER SIDE FOR STEPS 1-4**

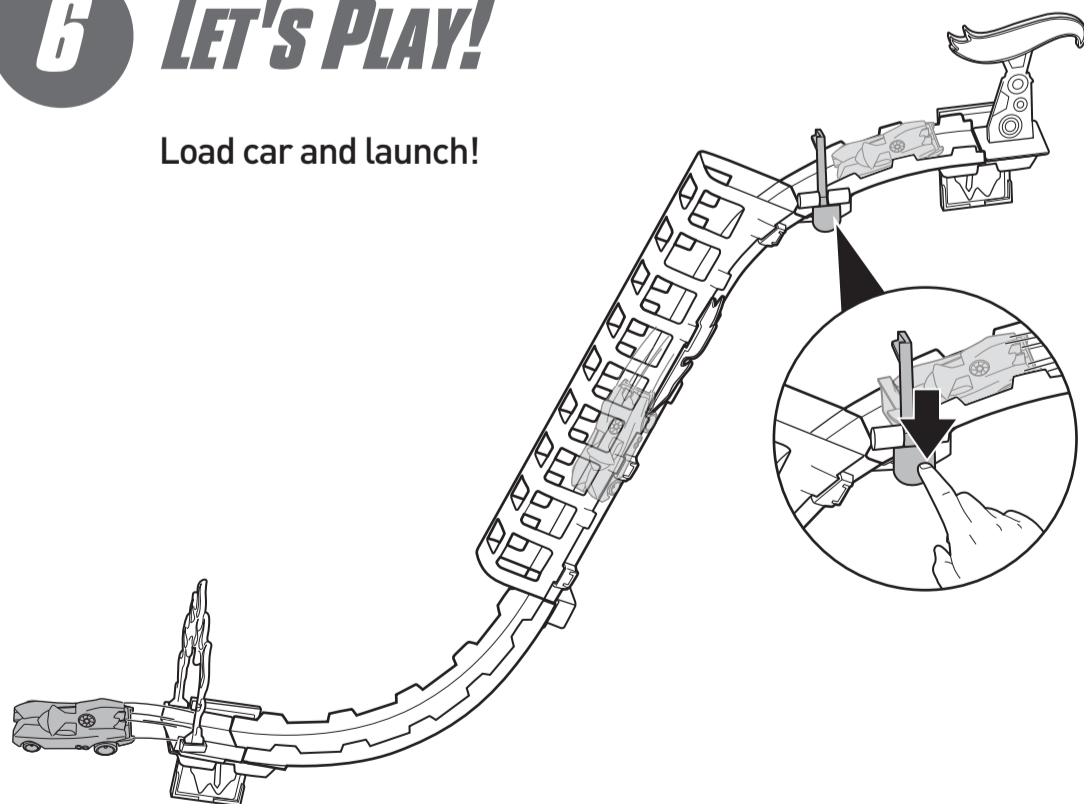
**5 HANG TRACK ON WALL**

Once brackets are mounted and **TEMPLATE IS REMOVED FROM WALL**, attach track pieces as shown.



**6 LET'S PLAY!**

Load car and launch!



**7 REATTACHING & REMOVAL**

Mounting brackets are designed to break away from the set without causing surface damage. If mounting plate separates from bracket, snap bracket back into place.

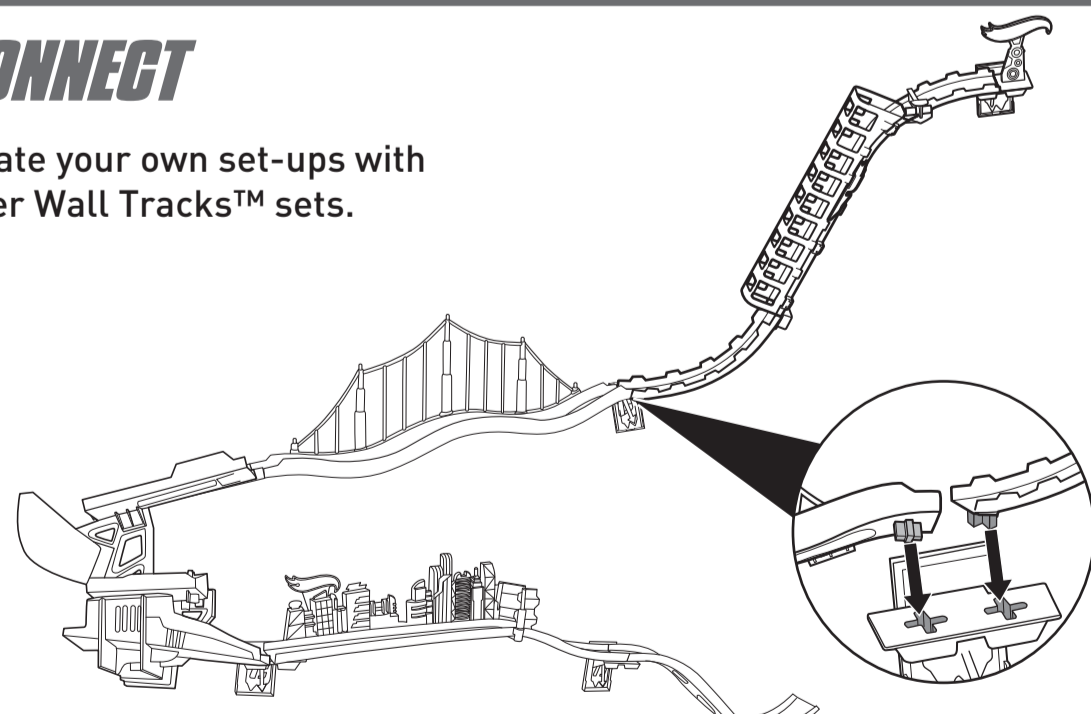
Remove track pieces from wall prior to removing brackets.

- To remove brackets from the wall entirely:
1. NEVER pull strip towards you.
  2. Hold bracket gently to prevent it from snapping fingers. DO NOT press against wall.
  3. Grab tab on Command™ Strip and SLOWLY STRETCH STRAIGHT DOWN ALONG WALL AT LEAST 12 INCHES until bracket and strip release.

Purchase medium Command™ Refill Strips to reapply to your wall.

**CONNECT**

Create your own set-ups with other Wall Tracks™ sets.

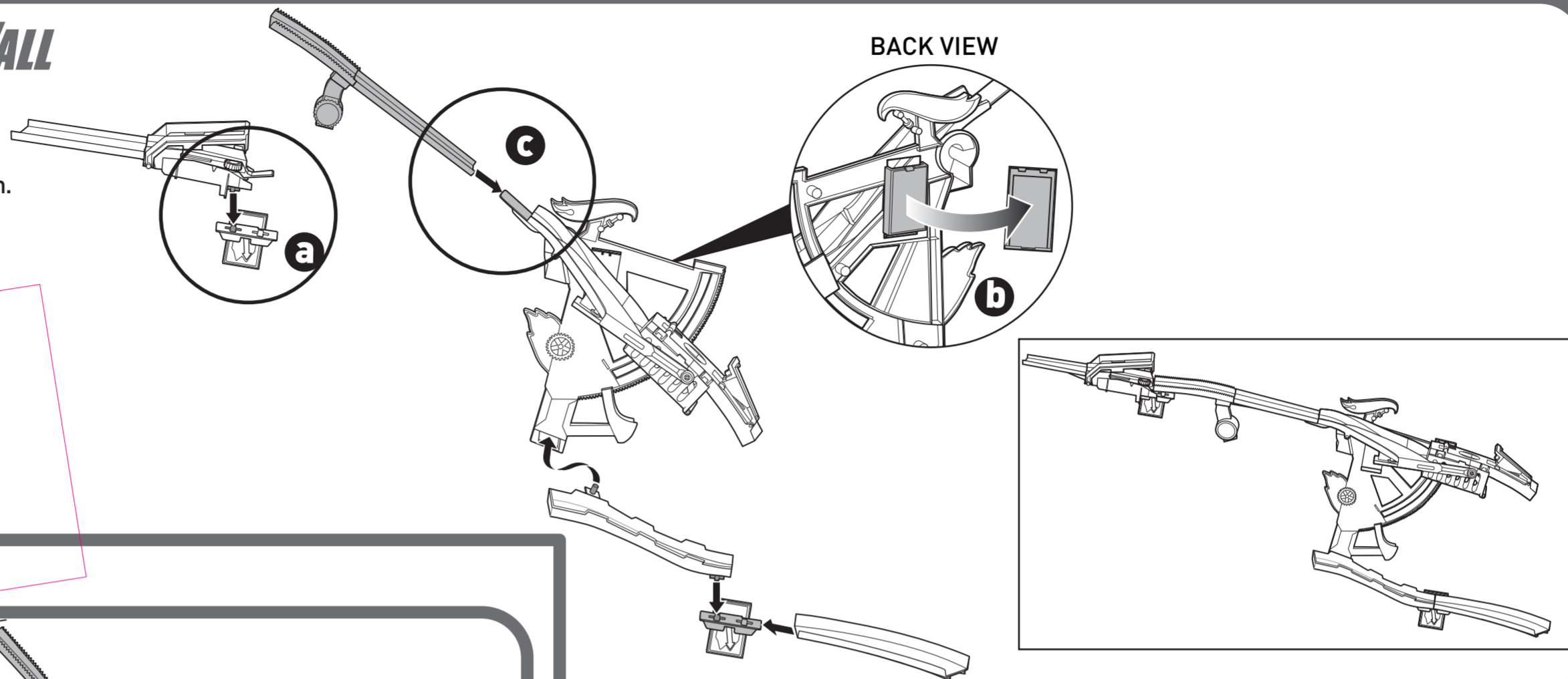


Command™ Strips are a product of 3M. For further information visit [command.com](http://command.com).  
**NOTE:** Apply strips to surfaces above 50°F (10°C). Adhesive could lose adhesion above 105°F (40°C).  
**CAUTION:** DO NOT use with wallpaper. May not adhere well to vinyl surfaces. DO NOT hang items over beds.  
3M and Command are trademarks of 3M.  
© 3M 2012. All Rights Reserved.

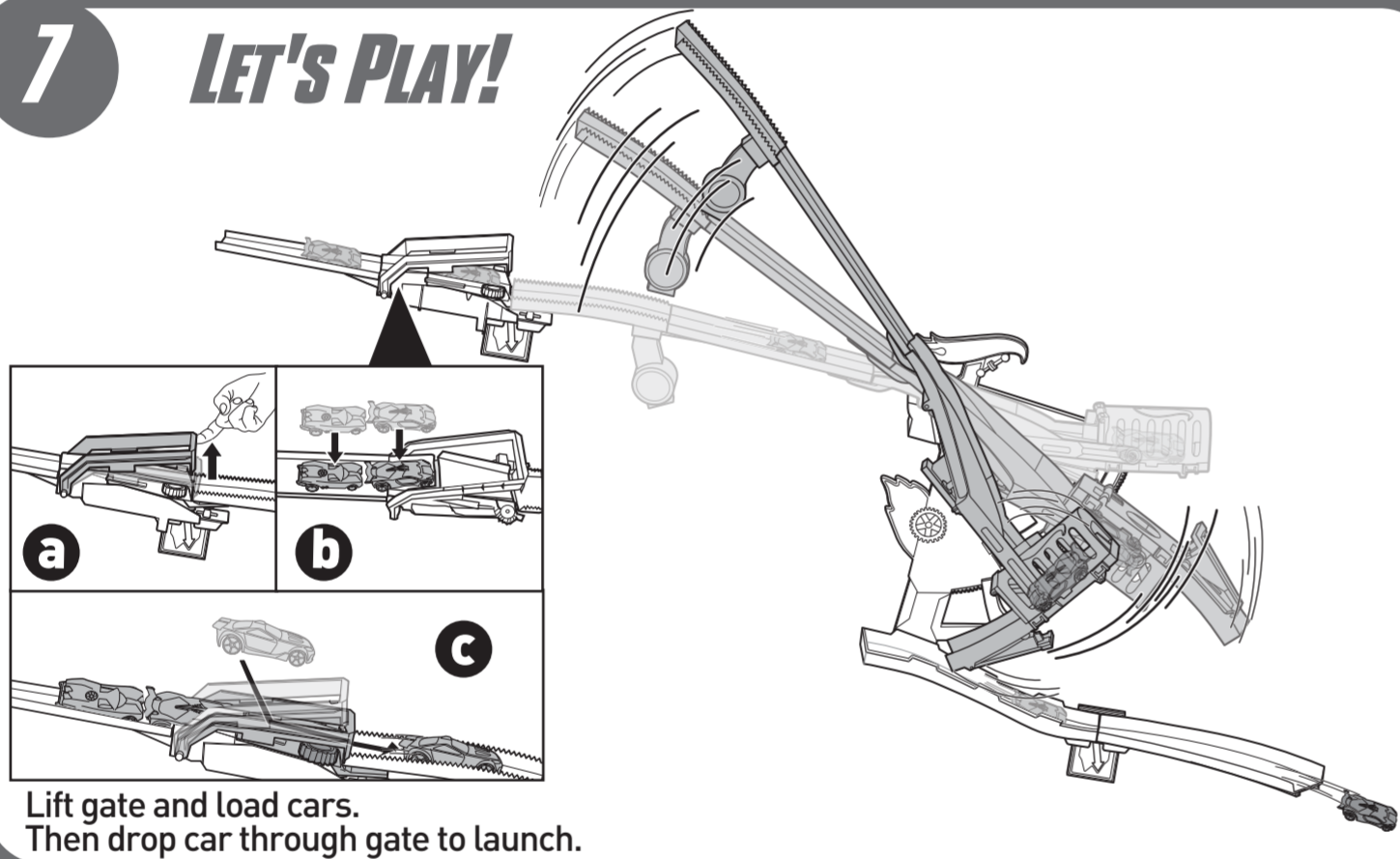
# SEE OTHER SIDE FOR STEPS 1-5

## 6 HANG TRACK ON WALL

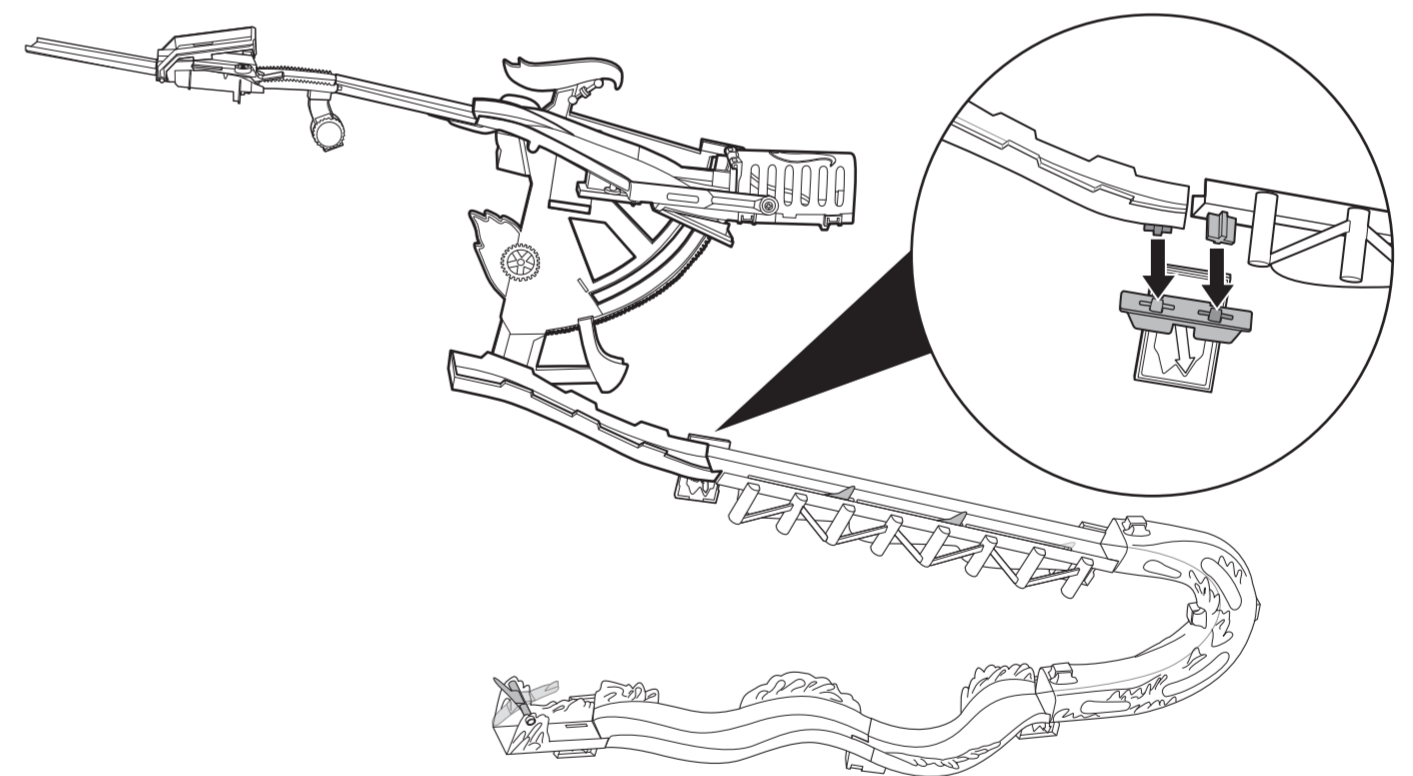
Once brackets are mounted and **TEMPLATE IS REMOVED FROM WALL**, attach track pieces as shown.



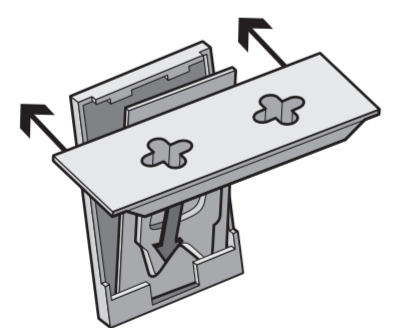
## 7 LET'S PLAY!



## CONNECT Create your own set-ups with other Wall Tracks™ sets.

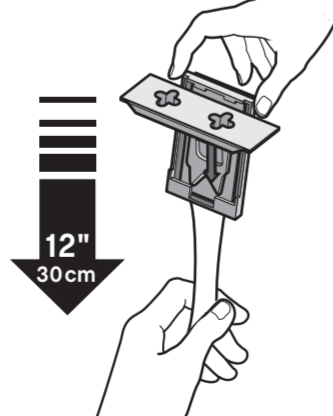


## 8 REATTACHING & REMOVAL



Mounting brackets are designed to break away from the set without causing surface damage. If mounting plate separates from bracket, snap bracket back into place.

Remove track pieces from wall prior to removing brackets.



Purchase medium Command™ Refill Strips to reapply to your wall.

To remove brackets from the wall entirely:

1. NEVER pull strip towards you.
2. Hold bracket gently to prevent it from snapping fingers. DO NOT press against wall.
3. Grab tab on Command™ Strip and SLOWLY STRETCH STRAIGHT DOWN ALONG WALL AT LEAST 12 INCHES until bracket and strip release.



Command™ Strips are a product of 3M. For further information visit [command.com](http://command.com)

NOTE: Apply strips to surfaces above 50°F (10°C). Adhesive could lose adhesion above 105°F (40°C).

CAUTION: DO NOT use with wallpaper. May not adhere well to vinyl surfaces. DO NOT hang items over beds.

3M and Command are trademarks of 3M. © 3M 2011. All Rights Reserved.



X9302-0920G1 Asst. V1049

©2012 Mattel. All Rights Reserved. Mattel, Inc., 636 Girard Avenue, East Aurora, NY 14052, U.S.A. Consumer Relations 1-800-524-8697. Mattel U.K. Ltd., Vanwall Business Park, Maidenhead SL6 4UB. Helpline 01628 500303. Mattel Australia Pty. Ltd., Richmond, Victoria, 3121. Consumer Advisory Service - 1300 135 312. Mattel East Asia Ltd., Room 1106, South Tower, World Finance Centre, Harbour City, Tsimshatsui, HK, China. Diimport & Diedarkan Oleh: Mattel SEA Ptd Ltd. (993532-P) Lot 13.5, 13th Floor, Menara Lien Hoe, Persiaran Tropicana Golf Country Resort, 47410 PJ. Tel: 03-78803817, Fax: 03-78803867. [service.mattel.com](http://service.mattel.com)



Size: 19" x 16.5" color: 4c + 1c X9302 DOM Front

Press bracket firmly for 30 seconds.

**HOT WHEELS WALL TRACKS**

**SWING-ARM SLIDE™ HANGING TEMPLATE**

4+

Hangs with **Command BRAND STRIPS**

Keep these instructions for future reference as they contain important information.

**Brackets should NOT overlap template**

**PRESS FIRMLY FOR 30 SECONDS**

**CONTENTS:**

FOR INSTRUCTIONAL VIDEOS AND MORE GO TO [WWW.HOTWHEELS.COM/WALLTRACKS](http://WWW.HOTWHEELS.COM/WALLTRACKS)

**YOU WILL NEED:**

- Low-adhesive tape such as painter's tape or masking tape
- Approximately 3 feet by 2 feet of open wall space
- 20 minutes

**START HERE:** Please read all instructions before beginning assembly and set-up.

**1 HANG TEMPLATE**

Lie template flat and level against wall and tape as shown. Top of template should align with the height of the child.

**NOTE TO PARENTS:** Before applying Command™ Strips make sure the wall surface is clean and dry. If cleaning is necessary 3M recommends using isopropyl rubbing alcohol. Do not use household cleaners.

**2 PREPARE BRACKETS**

There are 2 yellow brackets [Marked A - B], 1 flat bracket and 4 Command™ Strips (1 extra strip). Separate strips. Remove red-printed liner from Command™ Strips and apply to back of brackets as shown. Make sure the strip tab is accessible for future removal.

**NOTE:** Apply strips to surfaces above 50°F (10°C). Adhesive could lose adhesion above 105°F (40°C).

**CAUTION:** DO NOT use with wallpaper. May not adhere well to vinyl surfaces. DO NOT hang items over beds.

**NOTE: DO NOT PULL BRACKET OFF WALL without reading removal instructions in step 8.**

Red Printing = On Bracket

Black Printing = On Wall

**3 HANG BRACKETS**

Remove black-printed liner from Command™ Strips and attach each bracket into the designated notch of the template as shown.

Bracket should not overlap the template.

**Press bracket firmly onto wall and hold, pressing for 30 seconds.**

Press bracket firmly for 30 seconds.

Red arrow should line up with arrow on bracket.

**CORRECT**

**INCORRECT**

**4 REMOVE TEMPLATE**

Once all brackets are firmly attached with red arrows correctly oriented, remove template.

**Note:** For optimal adhesion performance 3M recommends waiting 1 hour before adding weight to Command™ Strips.

**5 ASSEMBLE TRACK PIECES** Pre-assemble pieces as shown.

Press bracket firmly for 30 seconds.

**SEE REVERSE FOR STEPS 6-8.**

SEE BACK