

**X9310-0920 SIZE:38" X 23" COLOR: 4C + 1C DOM**

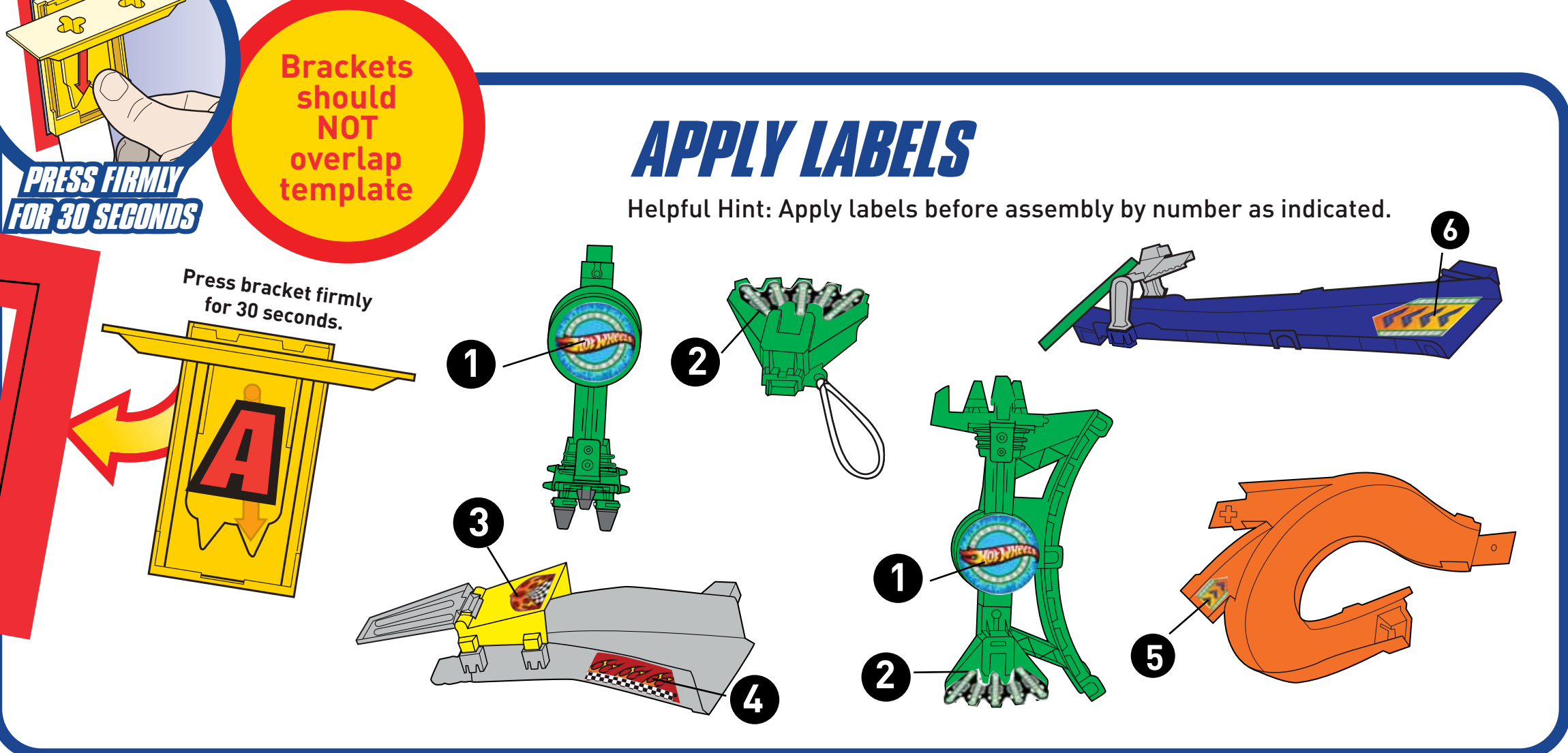
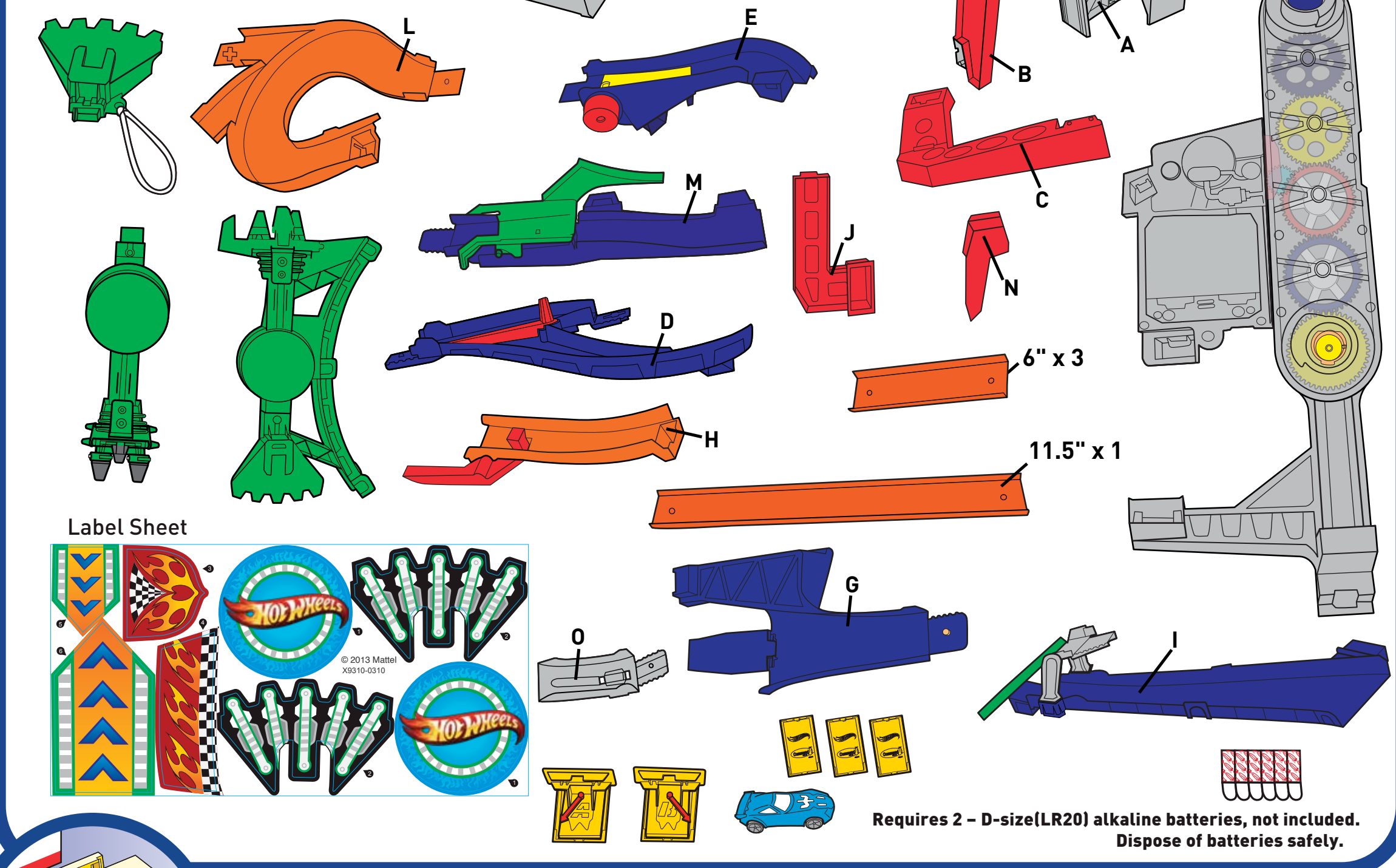


Keep these instructions for future reference as they contain important information.

**YOU WILL NEED:**

- Low-adhesive tape such as painter's tape or masking tape
- Approximately 4 feet by 2 feet of open wall space
- 20 minutes

**CONTENTS:**



**START HERE:**

Please read all instructions before beginning assembly and set-up.

**1 HANG TEMPLATE**

Lie template flat and level against wall and tape as shown. Top of template should align with the height of the child.

**NOTE TO PARENTS:** Before applying Command® Strips make sure the wall surface is clean and dry. If cleaning is necessary 3M recommends using isopropyl rubbing alcohol. Do not use household cleaners.



**2 PREPARE BRACKETS**

There are 2 yellow brackets (Marked A - B), 3 flat brackets and 6 Command® Strips (1 extra strip). Separate strips. Remove red-printed liner from Command® Strips and apply to back of brackets as shown. Make sure the strip tab is accessible for future removal.

**NOTE:** Apply strips to surfaces above 50°F (10°C). Adhesive could lose adhesion above 100°F (40°C).

**CAUTION:** DO NOT use with wallpaper. May not adhere well to vinyl surfaces. DO NOT hang items over beds.

**NOTE: DO NOT PULL BRACKET OFF WALL** without reading removal instructions in step 9.

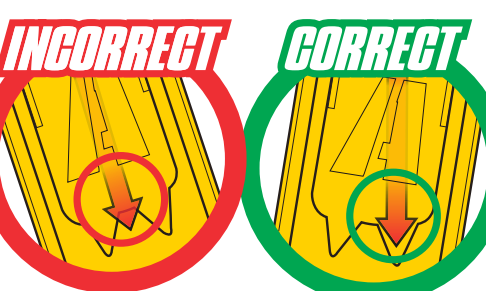
Red Printing = On Bracket

Black Printing = On Wall

**3 HANG BRACKETS**

Remove black-printed liner from Command® Strips and attach each bracket into the designated notch of the template as shown.

Bracket should not overlap the template. Press bracket firmly onto wall and hold, pressing for 30 seconds.



Red arrow should line up with arrow on bracket.

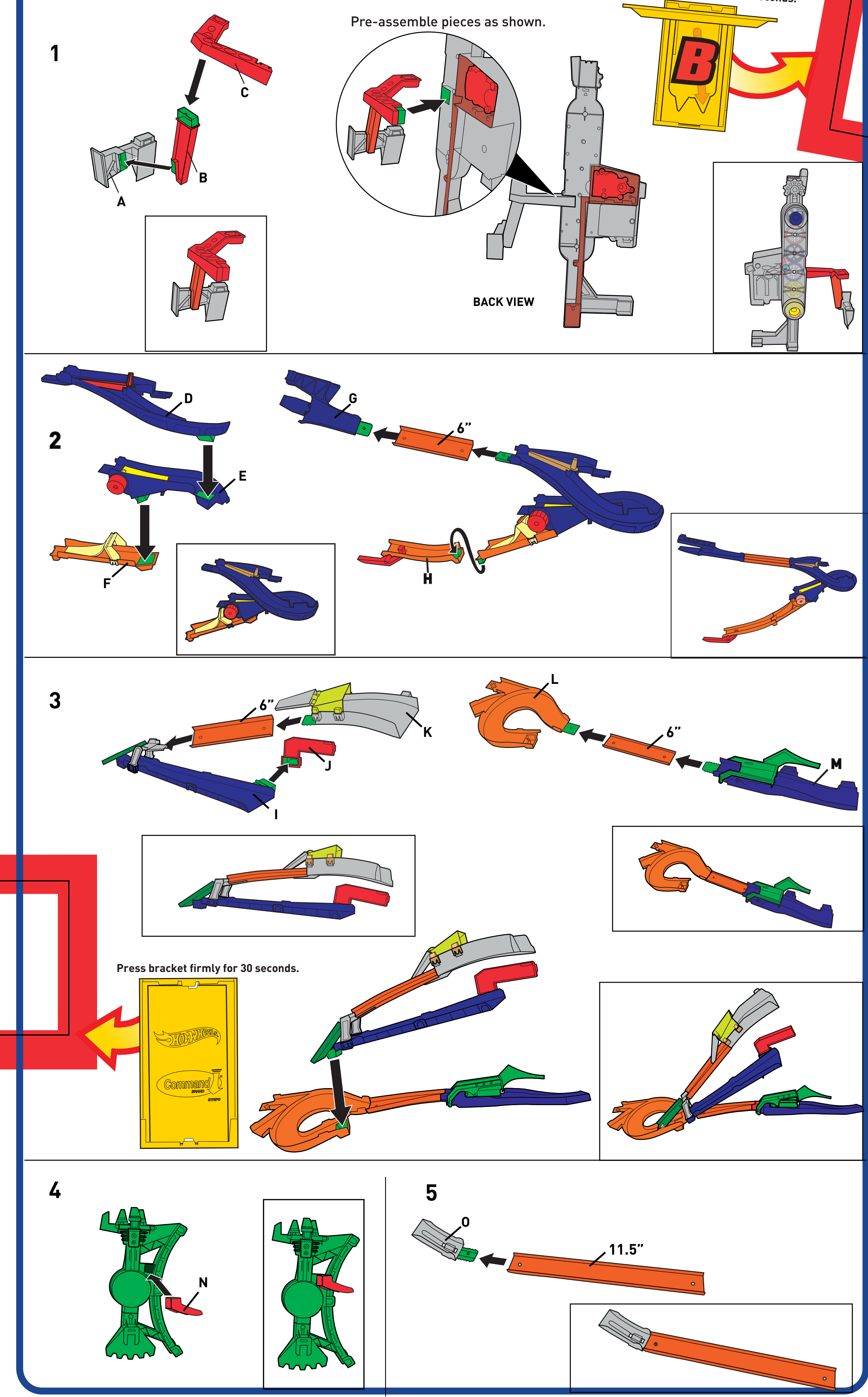
**4 REMOVE TEMPLATE**

Once all brackets are firmly attached with red arrows correctly oriented, remove template. Note: For optimal adhesion performance 3M recommends waiting 1 hour before adding weight to Command® Strips.

Press bracket firmly for 30 seconds.



**5 ASSEMBLE TRACK PIECES**



SEE REVERSE FOR STEPS 6-9.

SEE OTHER SIDE FOR STEPS 1-5

**6 BATTERY INSTALLATION**

- Unscrew the battery cover with a Phillips head screwdriver (not included).
- Install 2 "D" size (LR20) alkaline batteries (not included) in the orientation (+/-) shown.
- Replace battery cover and tighten screw.
- For longer life use alkaline batteries.
- Replace batteries when vehicles can no longer reach the top of the track set.
- When exposed to an electrostatic source, the product may malfunction. To resume normal operation, remove and re-install the batteries.

**BATTERY SAFETY INFORMATION**

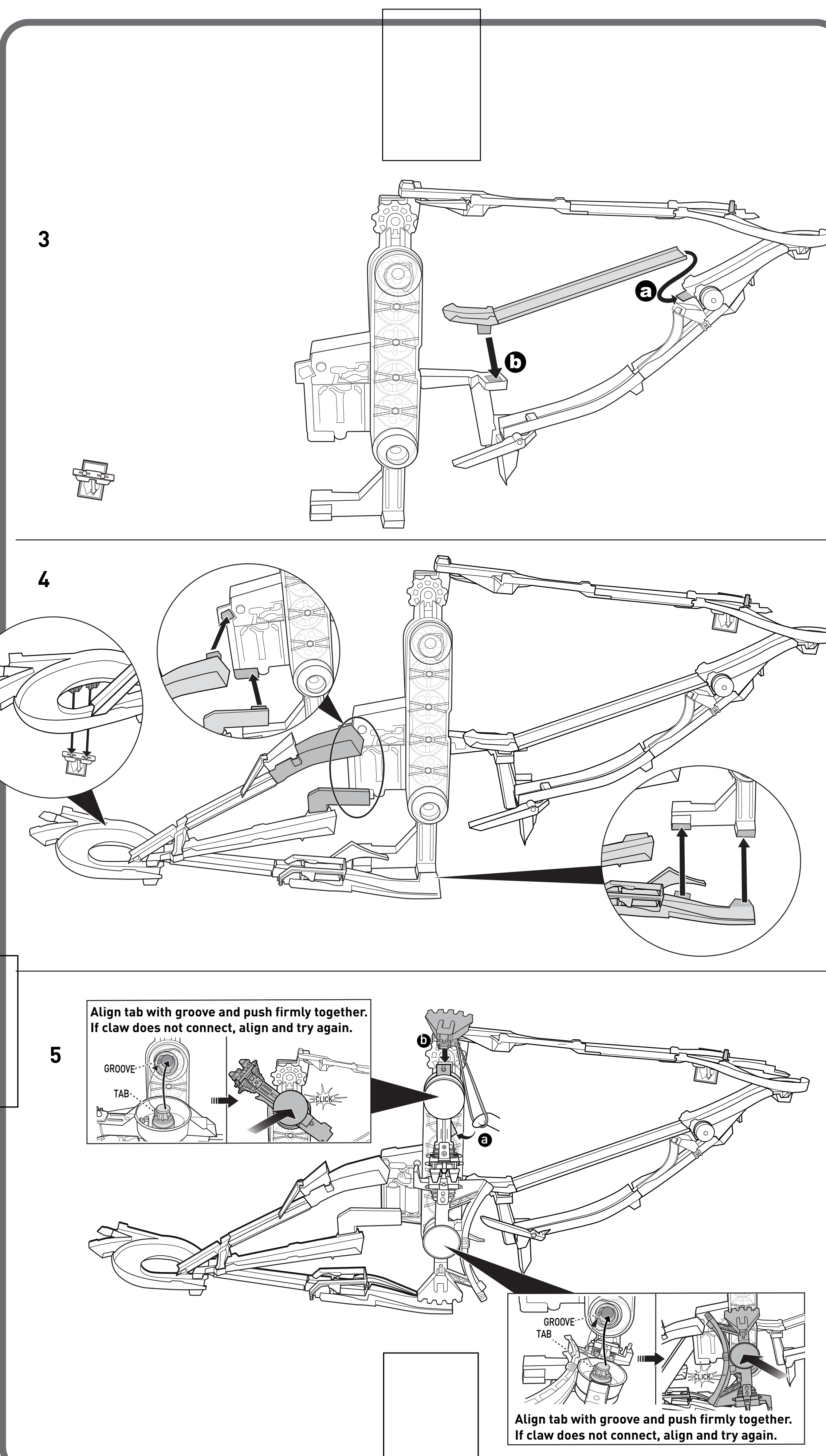
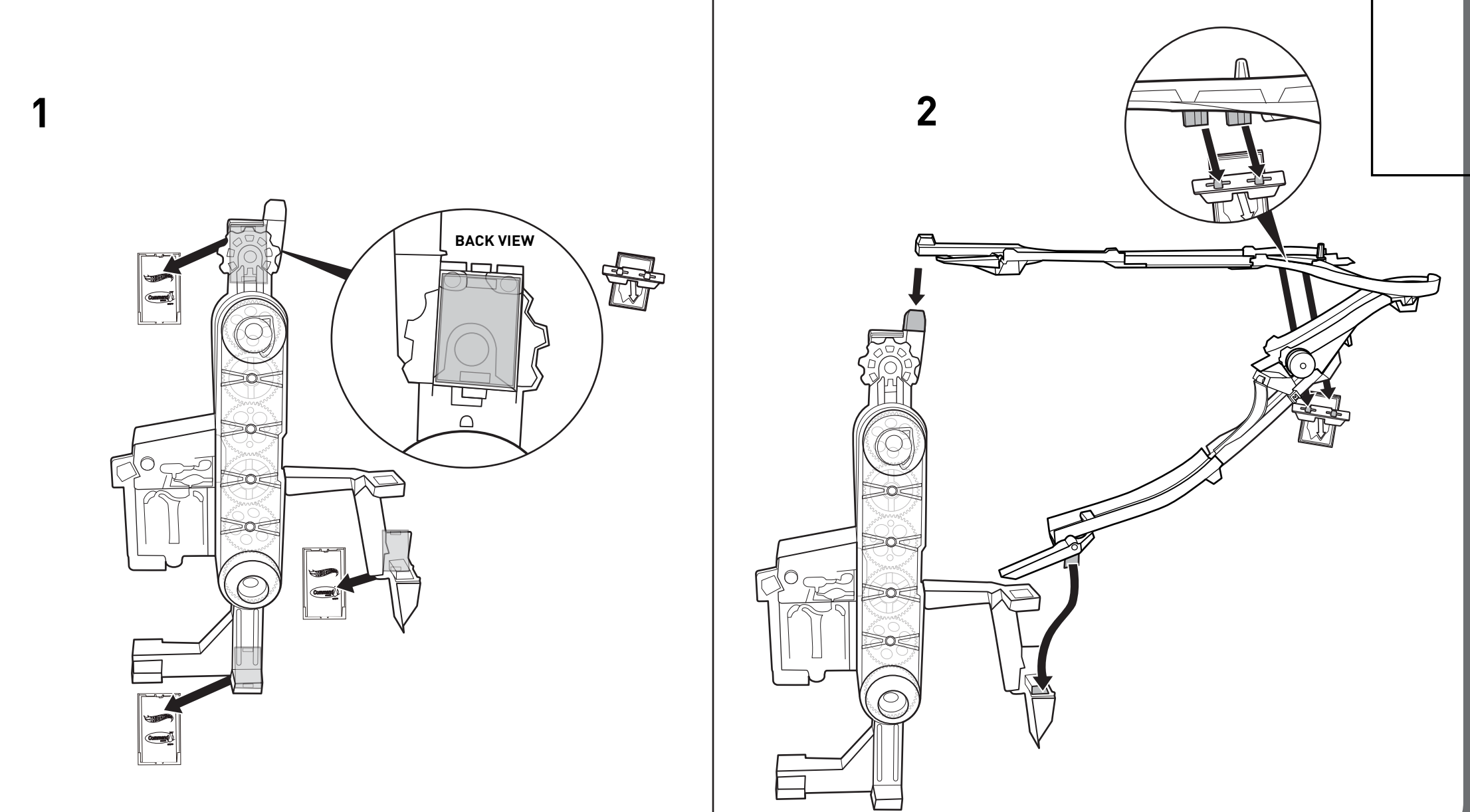
- In exceptional circumstances batteries may leak fluids that can cause a chemical burn injury or ruin your product. To avoid battery leakage:
- Non-rechargeable batteries are not to be recharged.
  - Rechargeable batteries are to be removed from the product before being charged.
  - Rechargeable batteries are only to be charged under adult supervision.
  - Do not mix alkaline, standard (carbon-zinc), or rechargeable (nickel-cadmium) batteries.
  - Do not mix old and new batteries.
  - Only batteries of the same or equivalent type as recommended are to be used.
  - Batteries are to be inserted with the correct polarity.
  - Exhausted batteries are to be removed from the product.
  - The supply terminals are not to be short-circuited.
  - Dispose of battery(ies) safely.
  - Do not dispose of this product in a fire. The batteries inside may explode or leak.

Protect the environment by not disposing of this product with household waste [2002/96/EC]. Check your local authority for recycling advice and facilities.

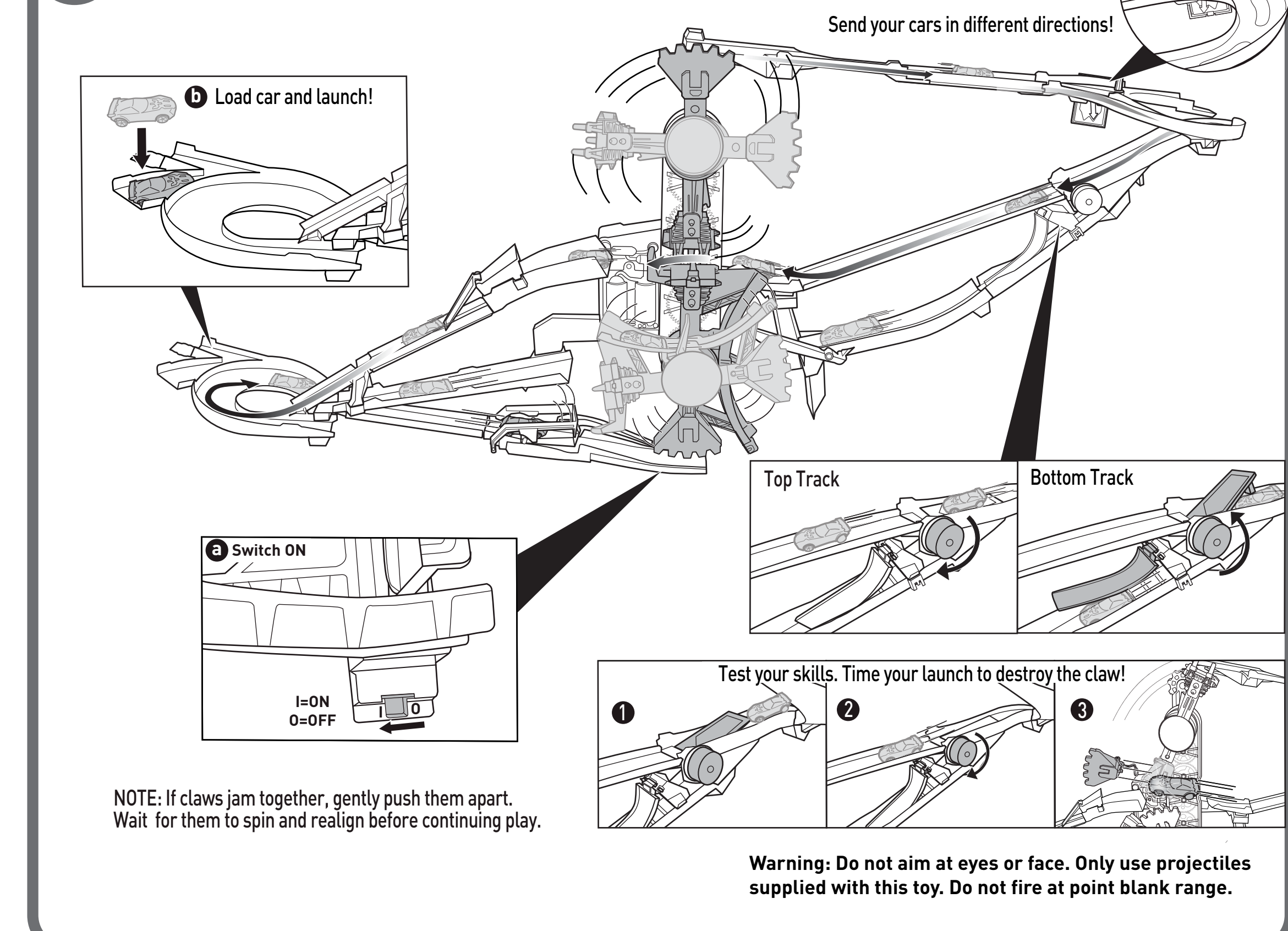
**NOTE:** Changes or modifications not expressly approved by the manufacturer responsible for compliance could void the user's authority to operate the equipment.

**7 HANG TRACK ON WALL**

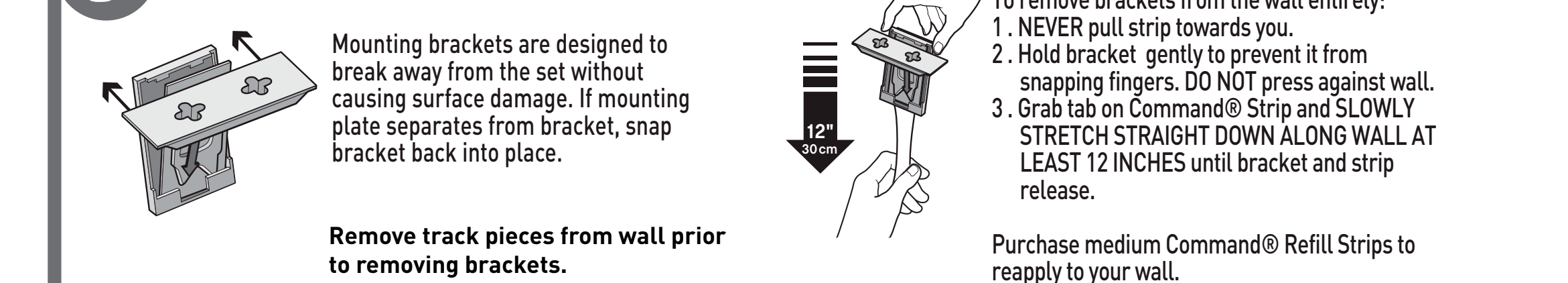
Once brackets are mounted and TEMPLATE IS REMOVED FROM WALL, attach track pieces as shown.



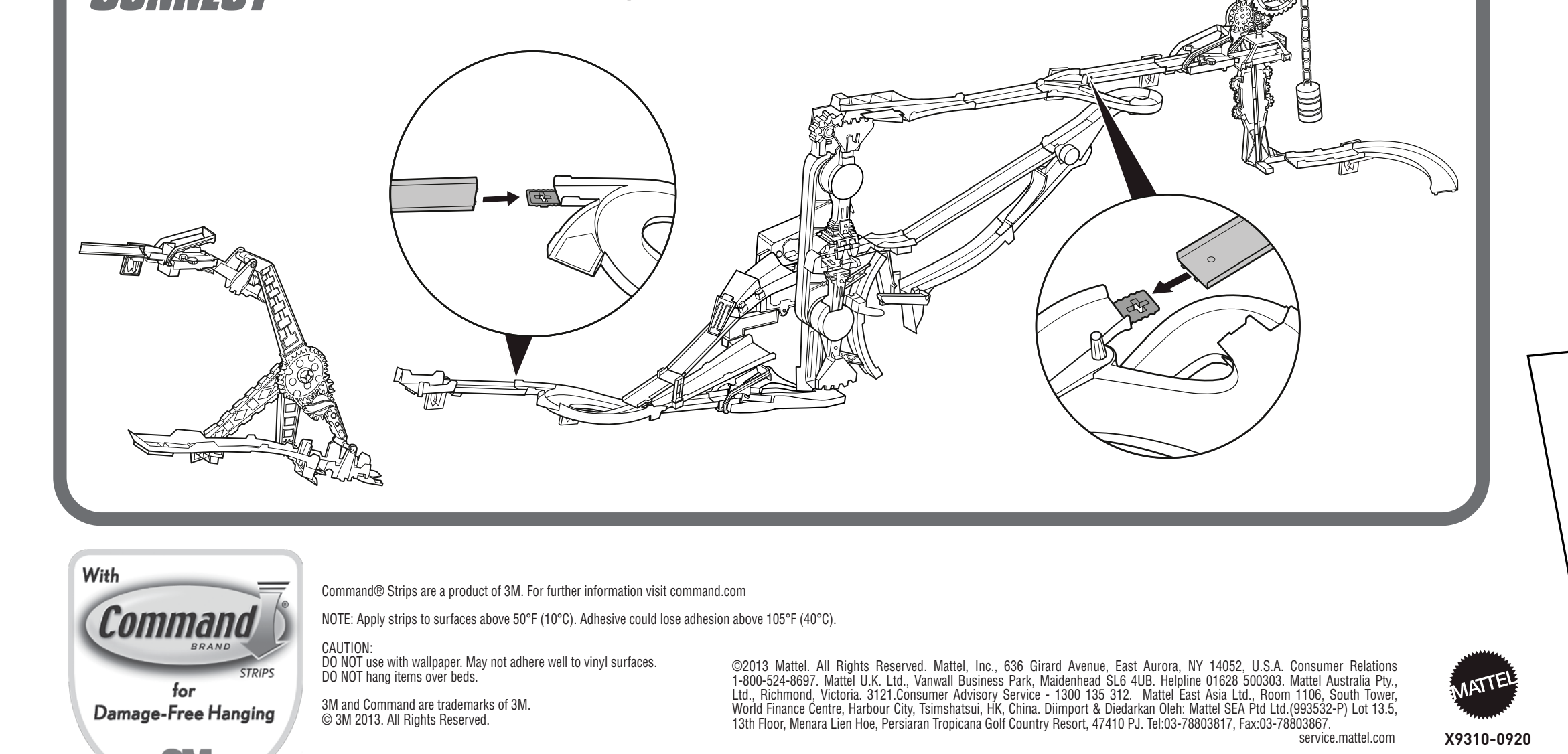
**8 LET'S PLAY!**



**9 REATTACHING & REMOVAL**



**CONNECT** Create your own set-ups with other Wall Tracks™ sets.



©2013 Mattel. All Rights Reserved. Mattel, Inc., 636 Grand Avenue, San Bruno, CA 94065, U.S.A. Customer Relations: 1-800-2-A-Mattel. Mattel U.S.A., LLC, 2700 Sunset Drive, Woodland Hills, CA 91367. Mattel Europe, 11, Rue des Saussaies, Paris, France. Mattel Germany, 11, Rue des Saussaies, Paris, France. Mattel Japan, 11, Rue des Saussaies, Paris, France. Mattel Korea, 11, Rue des Saussaies, Paris, France. Mattel Mexico, 11, Rue des Saussaies, Paris, France. Mattel Singapore, 11, Rue des Saussaies, Paris, France. Mattel Taiwan, 11, Rue des Saussaies, Paris, France. Mattel UK, 11, Rue des Saussaies, Paris, France. Mattel USA, 11, Rue des Saussaies, Paris, France. Mattel Canada, 11, Rue des Saussaies, Paris, France. Mattel India, 11, Rue des Saussaies, Paris, France. Mattel Australia, 11, Rue des Saussaies, Paris, France. Mattel New Zealand, 11, Rue des Saussaies, Paris, France. Mattel South Africa, 11, Rue des Saussaies, Paris, France. Mattel Hong Kong, 11, Rue des Saussaies, Paris, France. Mattel China, 11, Rue des Saussaies, Paris, France. Mattel India, 11, Rue des Saussaies, Paris, France. Mattel Singapore, 11, Rue des Saussaies, Paris, France. Mattel Taiwan, 11, Rue des Saussaies, Paris, France. Mattel UK, 11, Rue des Saussaies, Paris, France. Mattel USA, 11, Rue des Saussaies, Paris, France. Mattel Canada, 11, Rue des Saussaies, Paris, France. Mattel India, 11, Rue des Saussaies, Paris, France. Mattel Australia, 11, Rue des Saussaies, Paris, France. Mattel New Zealand, 11, Rue des Saussaies, Paris, France. Mattel South Africa, 11, Rue des Saussaies, Paris, France. Mattel Hong Kong, 11, Rue des Saussaies, Paris, France. Mattel China, 11, Rue des Saussaies, Paris, France.